

H3L

TABLE OF CONTENTS

01	Important Safety Instructions	01	Tools Needed
----	-------------------------------	----	--------------

02	Parts List	04	Assembly
----	------------	----	----------

14	Warranty Information		
----	----------------------	--	--

Thank you so much for choosing our product. If you encounter any questions during use, feel free to contact us. We will try our best to solve it.
Customer Service Line: +1-888-292-2399
Customer Service Email: service7770@outlook.com

IMPORTANT SAFETY INSTRUCTIONS

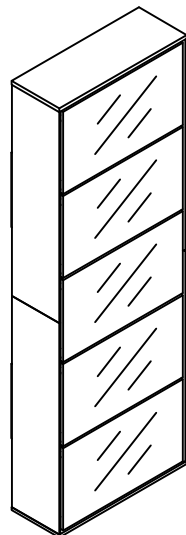
- Check if all the parts are complete before installation.
- Read through the instructions before installing the cabinet.
- Keep the small parts away from children to avoid the risk of swallowing.
- Screw the cabinet to the wall to avoid the risk of falling down.

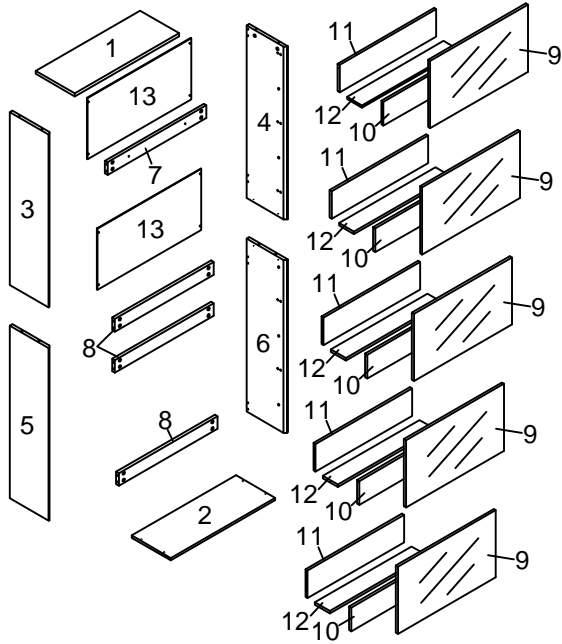
TOOLS NEEDED

Screws Driver -1PC





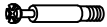


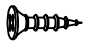


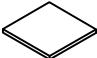
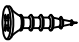
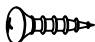
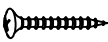



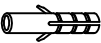

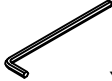

(Not included)



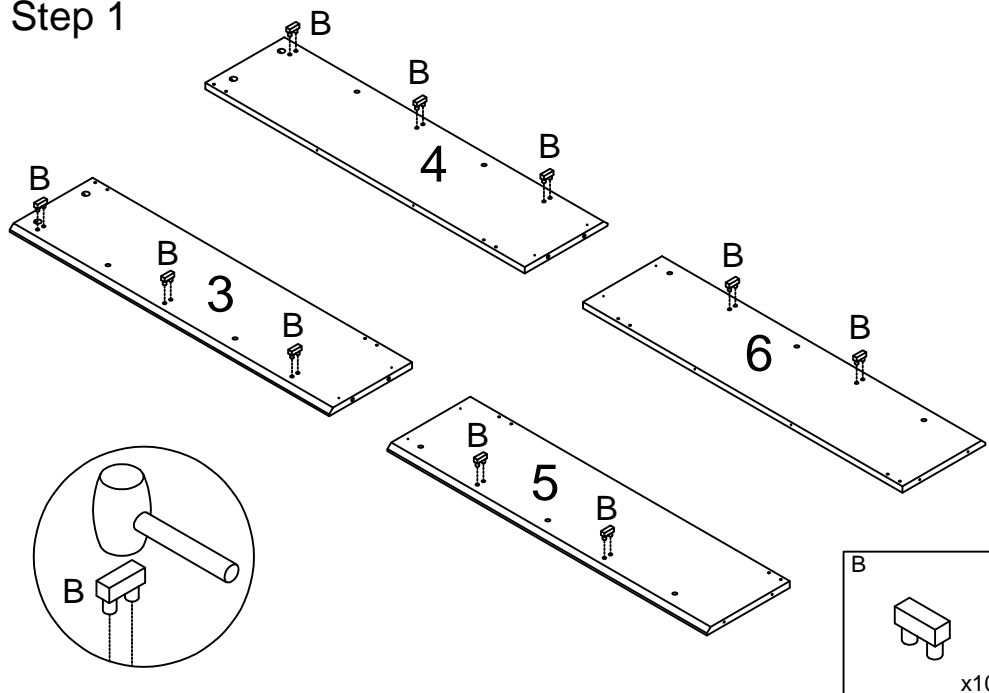


Packing List

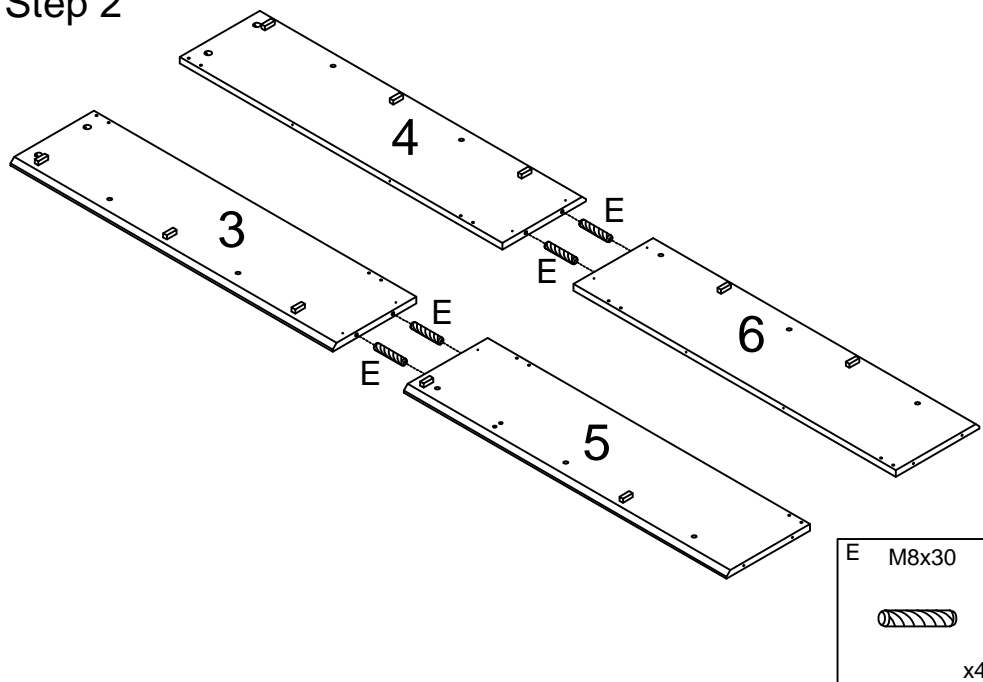
1 x1	2 x1	3 x1	4 x1
5 x1	6 x1	7 x1	8 x3
9 x5	10 x5	11 x5	12 x5
13 x2			

<p>A M6x18  x10</p>	<p>B  x10</p>	<p>C  x20</p>	<p>D  x20</p>	<p>E M8x30  x4</p>
<p>F M3.5x12  x38</p>	<p>G  x4</p>	<p>H M5x40  x4</p>	<p>I  x4</p>	<p>J M4x14  x30</p>
<p>K M4x12  x4</p>	<p>L M4x40  x4</p>	<p>M  x5</p>	<p>N  x5</p>	<p>O  x10</p>
<p>P  x4</p>	<p>Q M3x14  x8</p>	<p>R  x1</p>	<p>S  x2</p>	

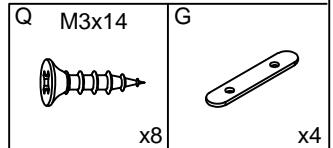
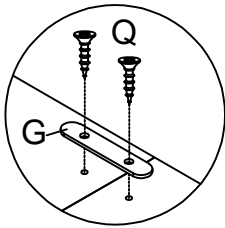
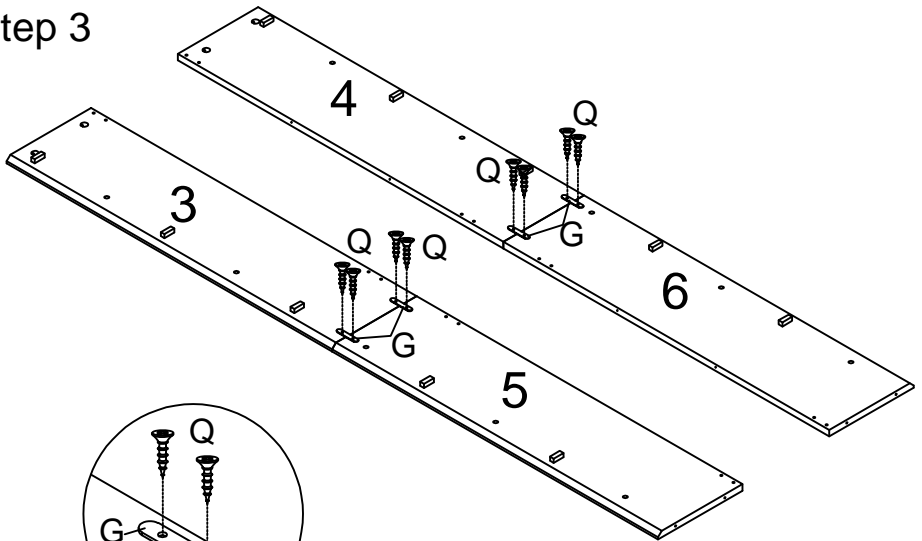
Step 1



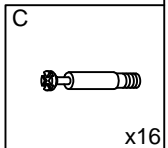
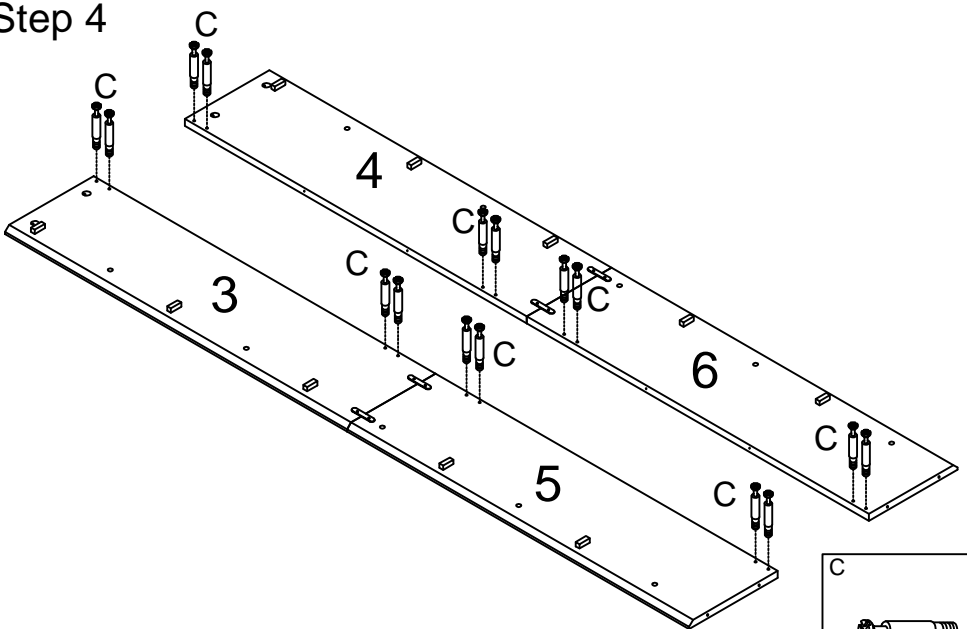
Step 2



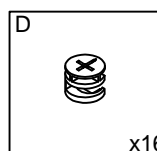
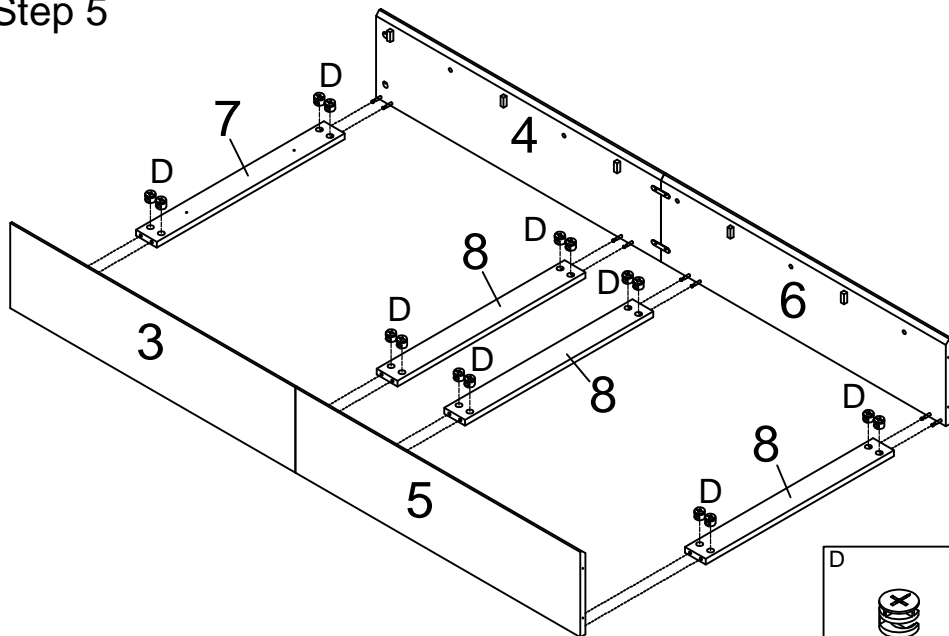
Step 3



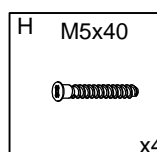
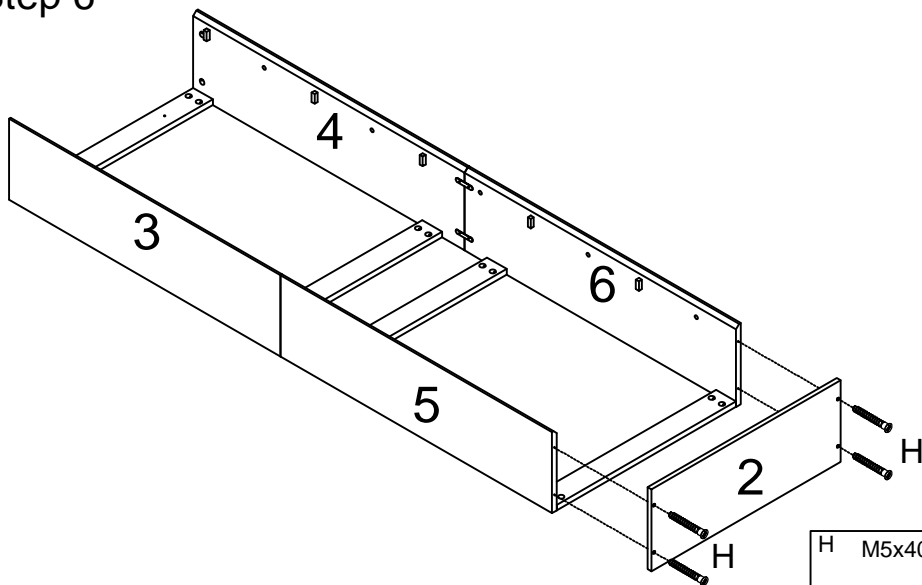
Step 4



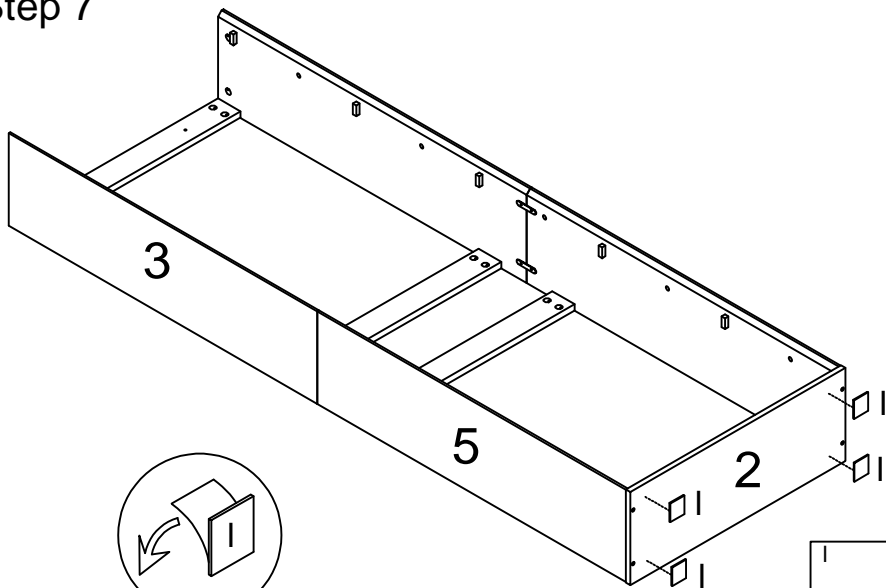
Step 5



Step 6

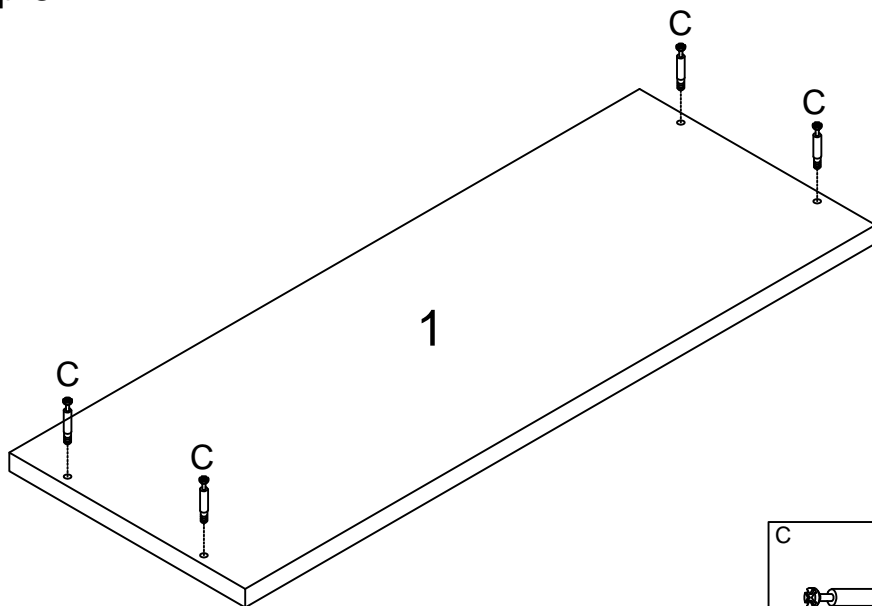


Step 7



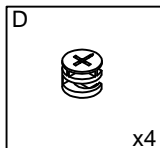
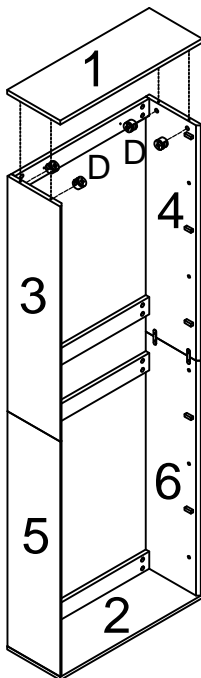
x4

Step 8

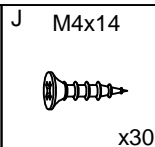
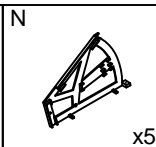
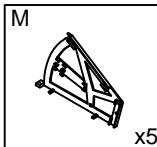
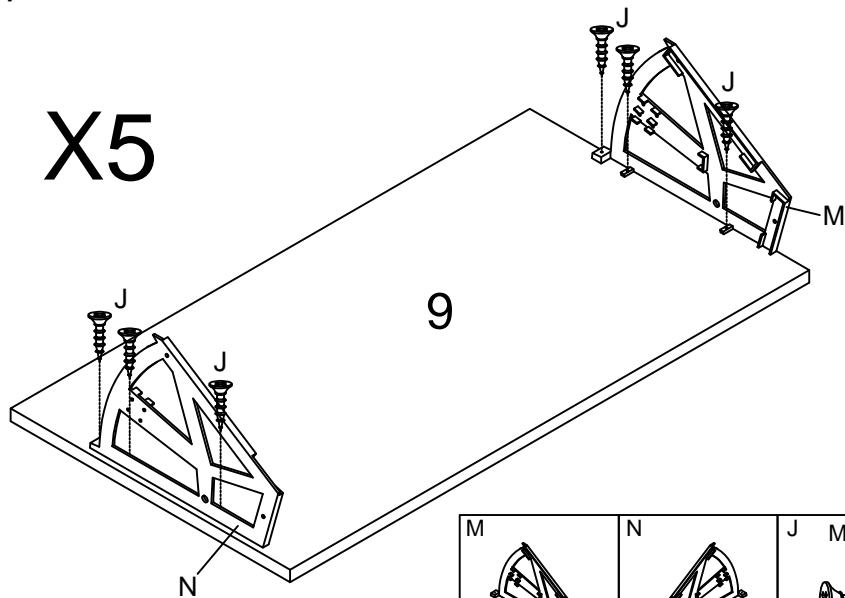


x4

Step 9

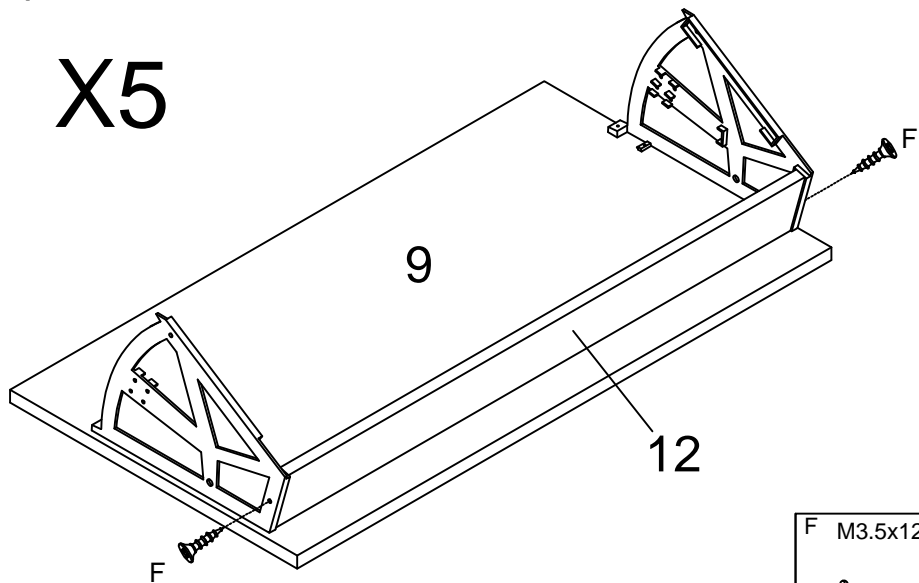


Step 10



Step 11

X5



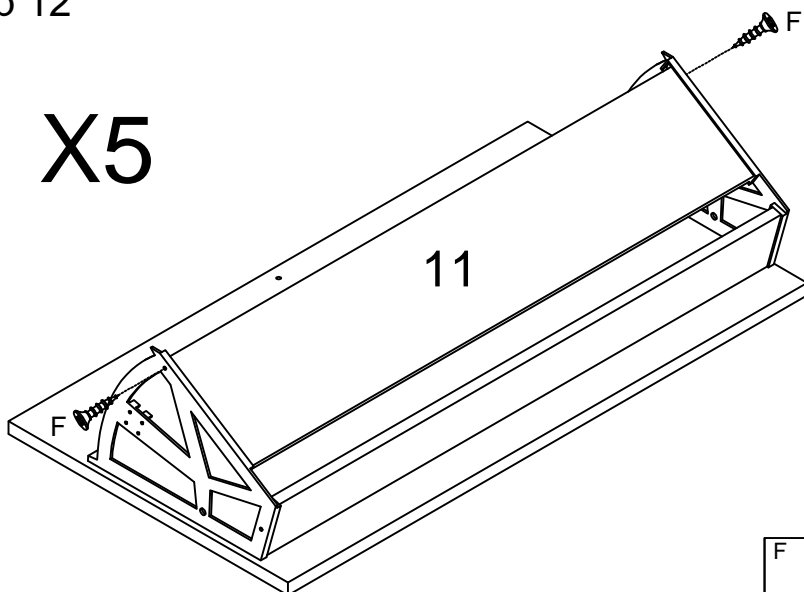
F M3.5x12



x10

Step 12

X5

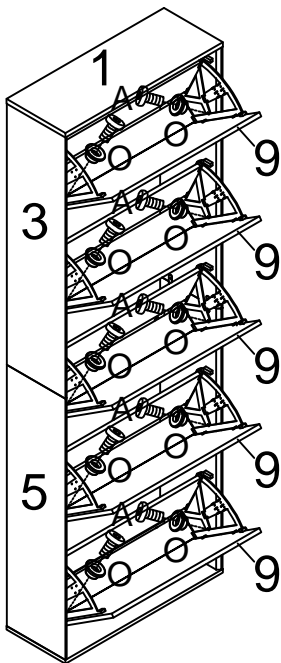


F M3.5x12

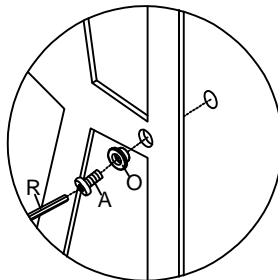


x10

Step 13



Put O parts firsty and then assemble A screws.



A M6x18



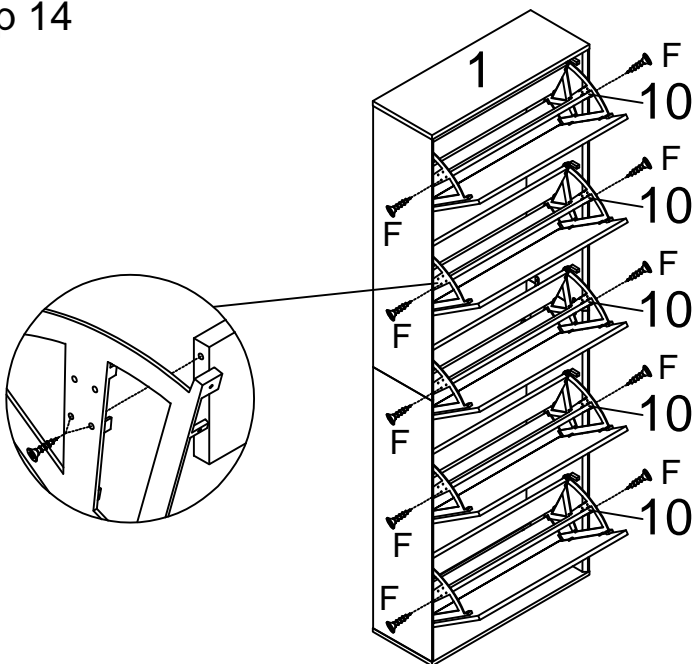
x10

O



x10

Step 14

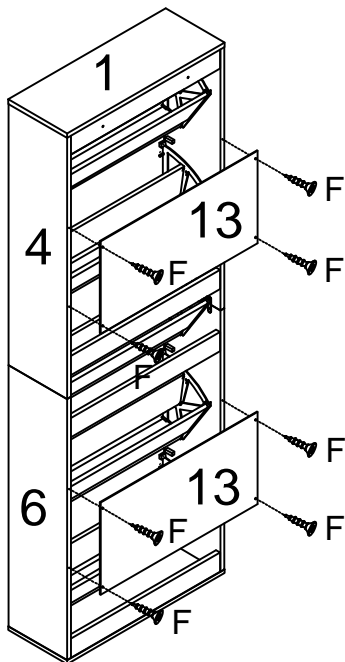


F M3.5x12



x10

Step 15

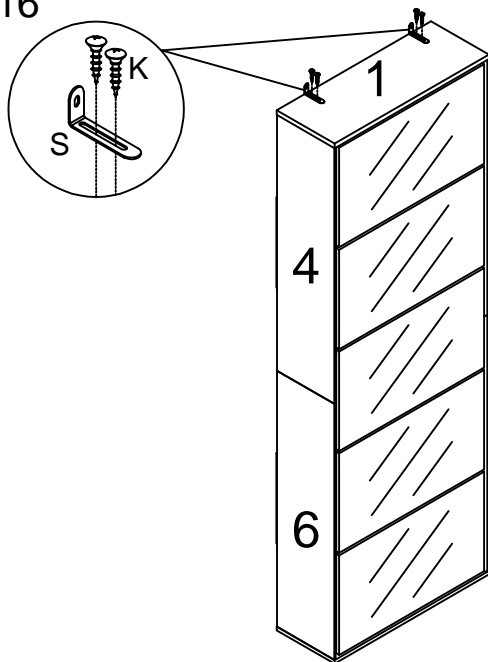


F M3.5x12



x8

Step 16



K M4x12



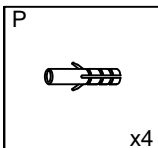
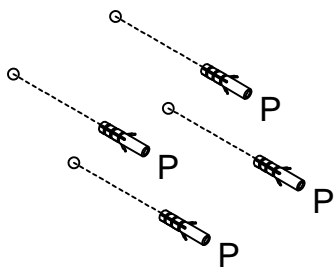
x4

S

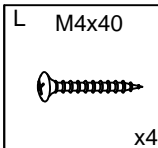
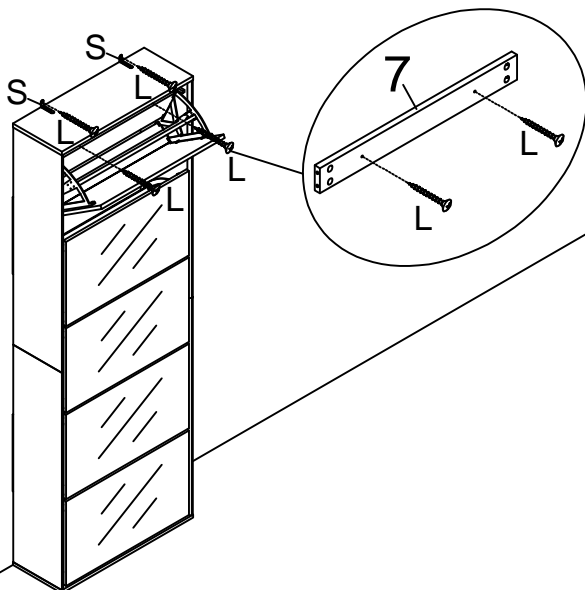


x2

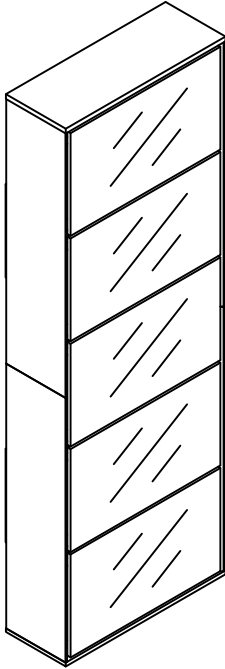
Step 17



Step 18



Finish !!!



WARRANTY INFORMATION

- Do not expose the surfaces to direct sunlight or to extreme environmental conditions.
- Clean the surfaces preferable with a clean damp cloth, then dry with a clean towel.
- Do not use solvents or abrasive materials to clean the unit. If you decide to use a cleaning agent, test first on an area hidden from view.
- Replacement parts might be available to you at no charge, with an original proof of purchase and where a defect has arisen, wholly or substantially, as a result of faulty manufacturing, parts or workmanship during the Warranty Period.
- The warranty does not extend to regular wear and tear, nor the manufacturer assumes liability for damages or consequences due to accidents, incorrect assembly, negligence, improper use, modifications, or not heeding the above warnings.
- Thank you so much for your support! We hope you enjoy your purchase. If there is any damage or missing accessories, please feel free to contact us for free replacement or refund. You can quickly find us through
Customer Service Line: **+1-888-292-2399** .
Customer Service Email: **service7770@outlook.com** .
with your order number, we will try our best to solve this problem for you

Thank you !

