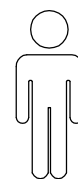
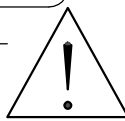
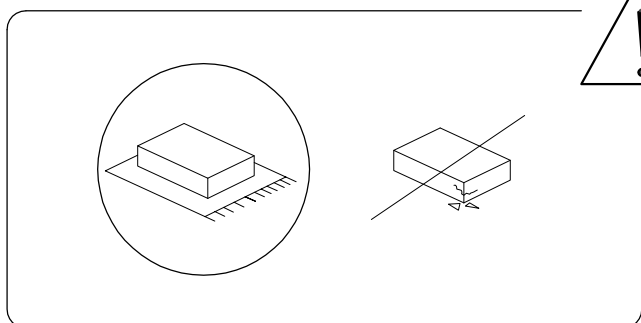
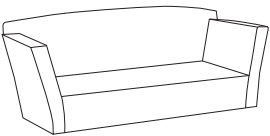

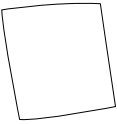

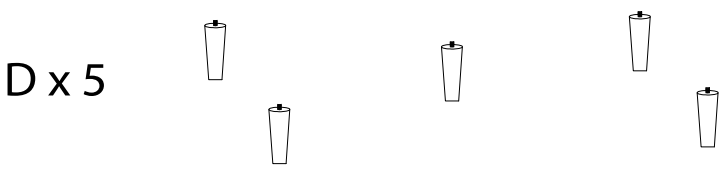
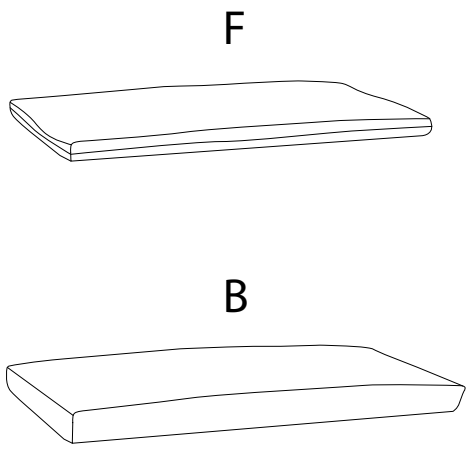
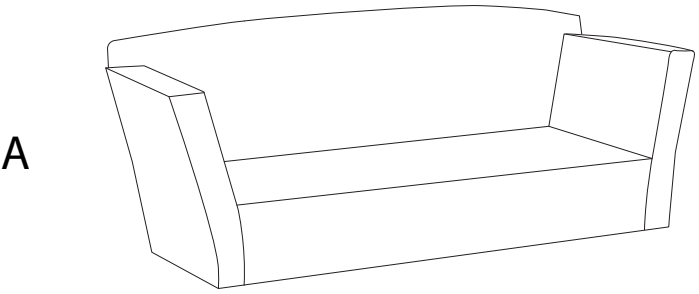
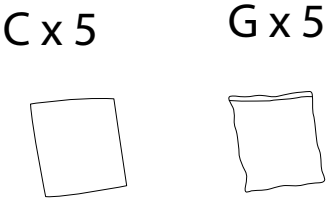
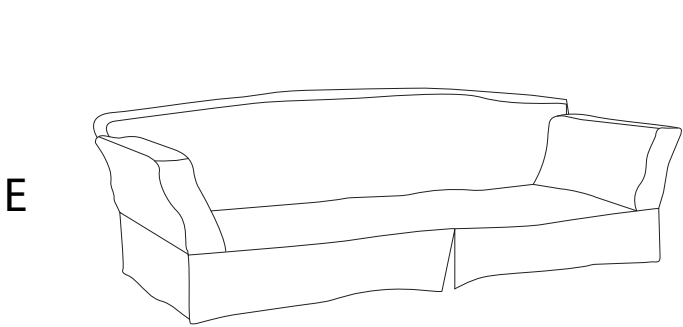


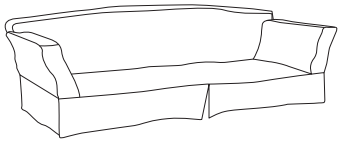

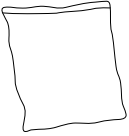
15'



1

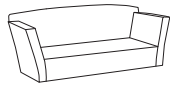
A	B	C	D
			
x1	x1	x5	x5



E	F	G
		
x1	x1	x5

1

A

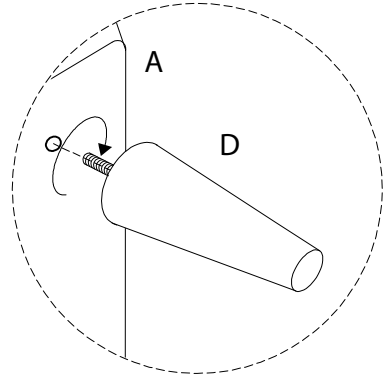
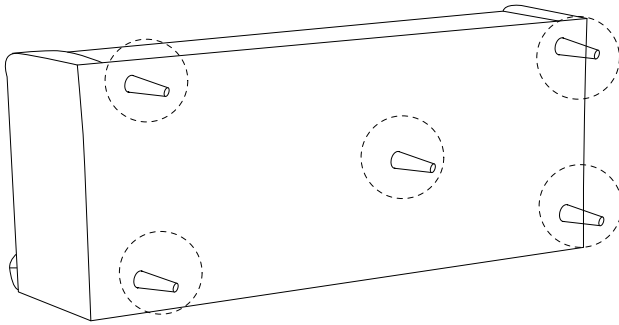


x 1

D



x 5

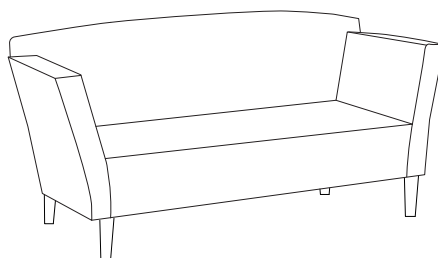
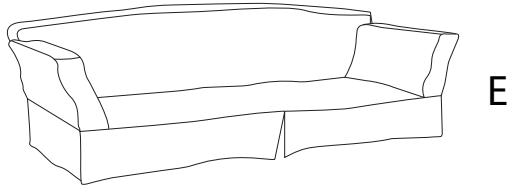


2

E



x 1



3

B

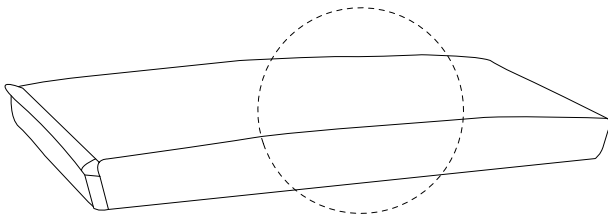


x 1

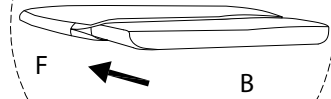
F



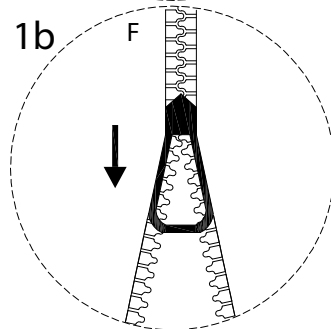
x 1



1a



1b



4 x 5

C

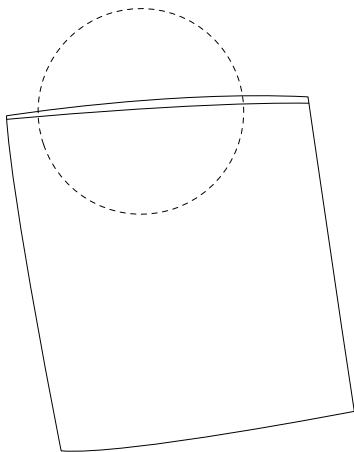


x 1

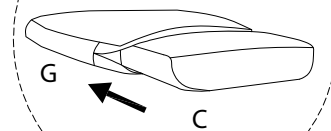
G



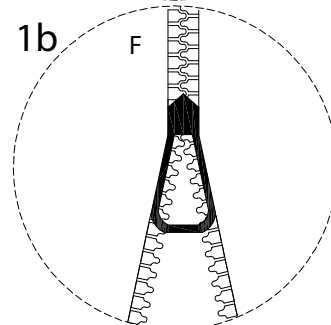
x 1



1a



1b



5

