

Storage Benches

General Guidelines

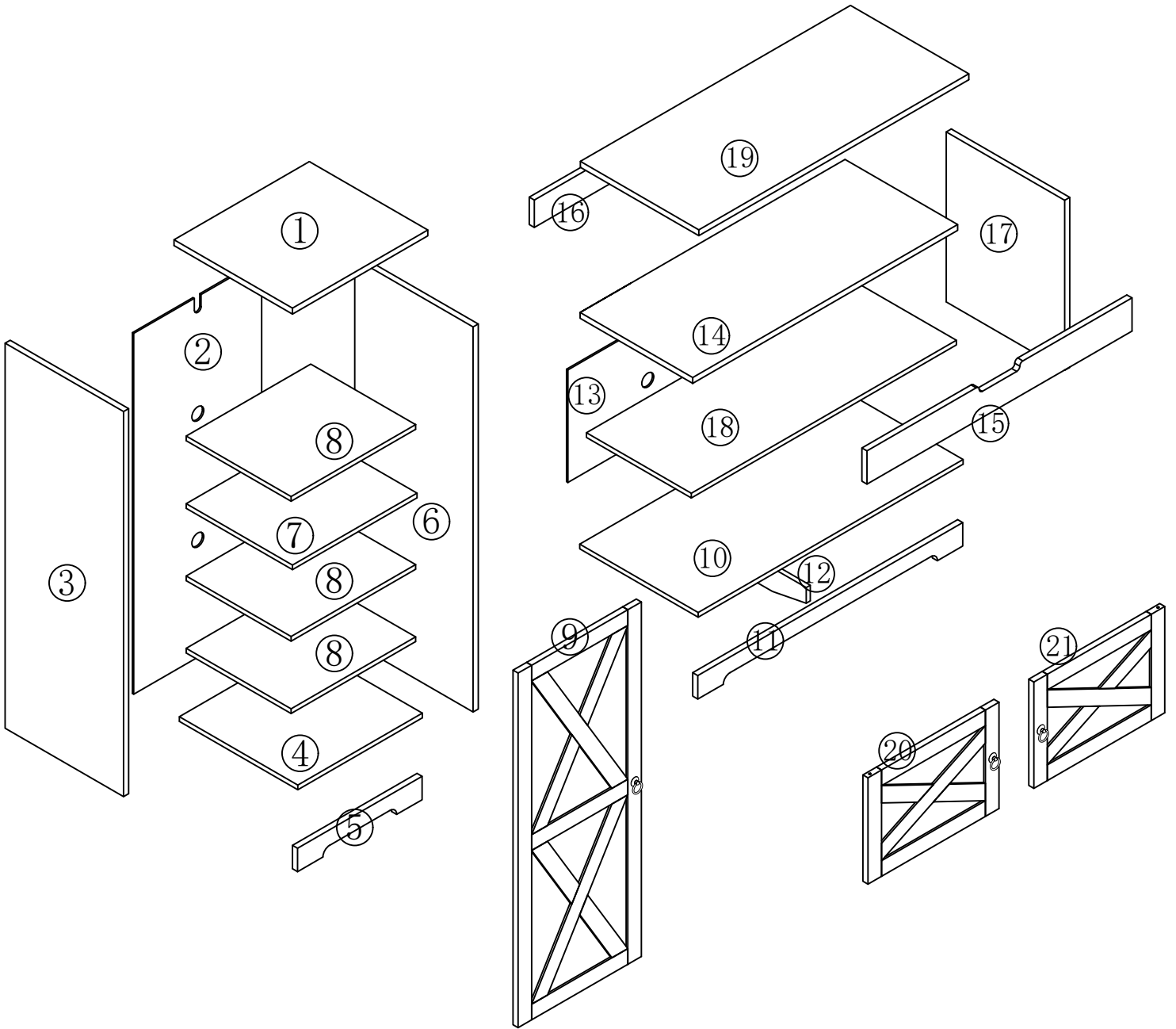
- Please read the following instruction carefully and use the product accordingly.
- Please keep this manual and hand it over when you transfer the product.
- This summary may not include every detail of all variations and considered steps. Please contact us when further information and help are needed.

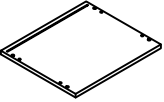
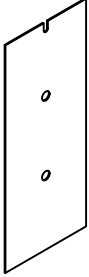
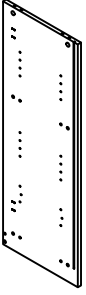
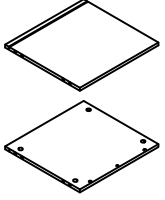
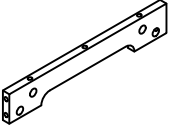
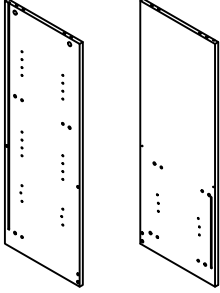
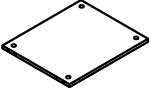
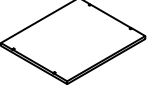
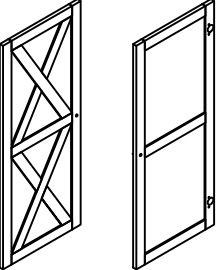
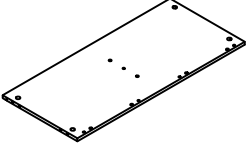
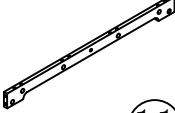
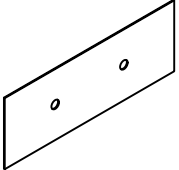
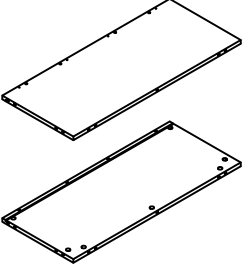
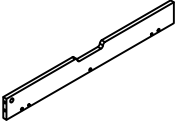
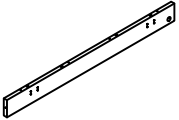
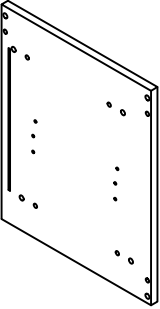

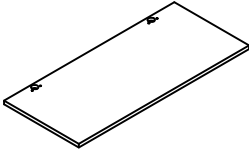
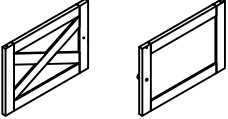
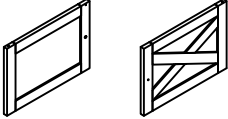
Notes

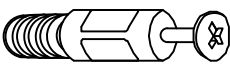

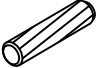



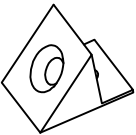
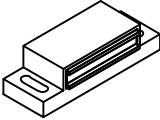
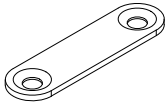

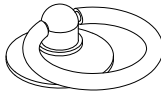
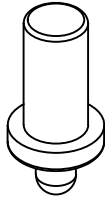
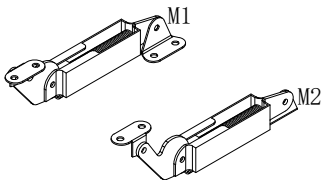
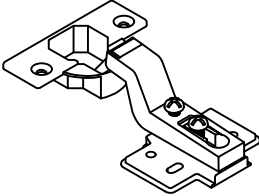


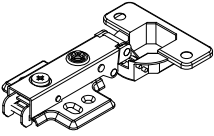
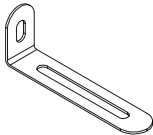
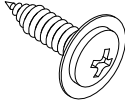
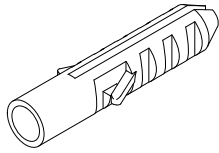
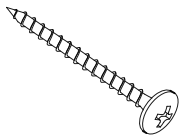
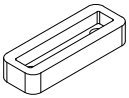
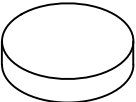
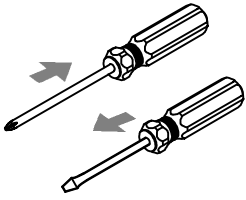
- The product must be assembled and used in accordance with the provisions of the manual. Personal injury and damage to product may occur if products are used outside of their intended purposes and/or if products have been changed/modified from their original design. The seller does not assume any responsibility or liability with respect to any injury/damage caused by incorrect assembly or improper use.
- Avoid long-term exposure to humid environments to prevent mildew.
- Keep the product away from fire sources and high temperatures. Do not expose the product to direct sunlight.
- Do not place any hot objects on the surface of the product.
- If there are any defective or missing parts after unpacking, please cease assembly immediately and contact us.
- Please assemble the item on a spacious surface and do not place the unwrapped product directly on the ground to avoid product damage.
- Please do not stand or sit on the wooden boards.
- Please wear gloves during the assembly and/or disassembly process to avoid scratches from any sharp edges.
- Please match the corresponding part and fitting based on the part number in the manual.
- If the part does not match with the fitting, please check the piece as specified in this manual.
- During assembly, first loosely align all screws with the corresponding pre-drilled holes and then tighten the screws one by one.
- Periodically inspect screw tightness while the product is in use. If necessary, retighten to ensure structural integrity.
- If you accidentally spill water or another liquid on the surface, immediately wipe clean with a dry towel.
- Please keep the product away from sharp, pointed objects and corrosive substances to prevent product damage.
- Please place this item on level, solid ground during use.

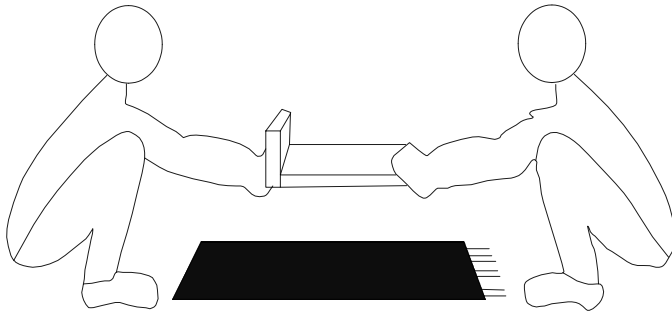
Warnings

- During assembly, keep all small parts out of the reach of children. It may be fatal if swallowed or inhaled.
- Children should not climb or play on the product in order to avoid tipping over the furniture and causing serious injury.
- To avoid the potential dangers of suffocation, please keep all parts and packaging (film, plastic bags, foam, etc.) away from babies and children.
- Keep sharp objects and corrosive items away from the product to avoid any damage or injury.
- Do not shake or move violently during use to avoid tipping over the product.



 <p>① x1</p>	 <p>② x1</p>	 <p>③ x1</p>	 <p>④ x1</p>
 <p>⑤ x1</p>	 <p>⑥ x1</p>	 <p>⑦ x1</p>	 <p>⑧ x3</p>
 <p>⑨ x1</p>	 <p>⑩ x1</p>	 <p>⑪ x1</p>	 <p>⑬ x1</p>
 <p>⑭ x1</p>	 <p>⑮ x1</p>	 <p>⑯ x1</p>	 <p>⑰ x1</p>
 <p>⑱ x1</p>	 <p>⑲ x1</p>	 <p>⑳ x1</p>	 <p>㉑ x1</p>

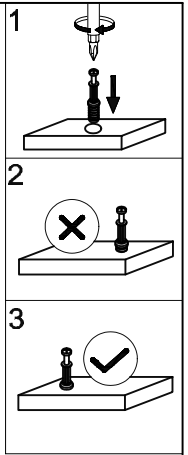
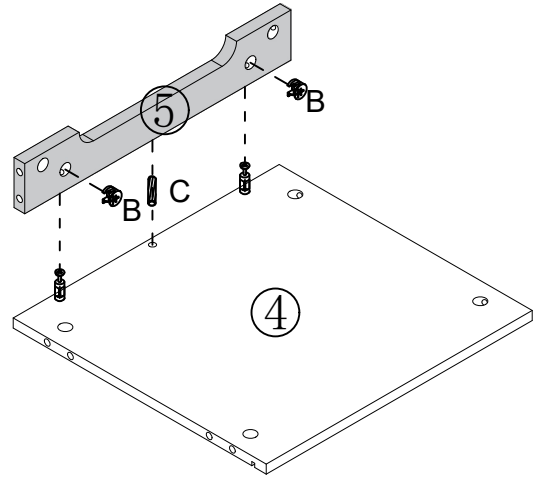
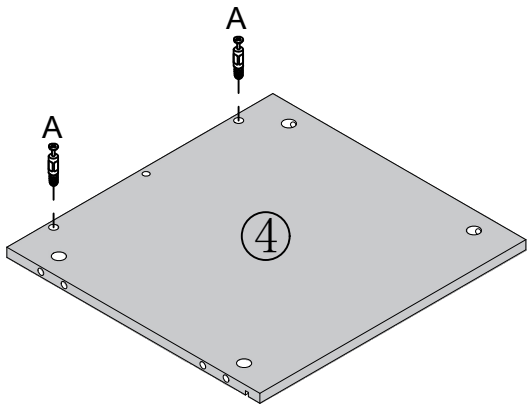
<p>A</p>  <p>x38+2 pcs</p>	<p>B</p>  <p>Ø15x9.5mm x38+2 pcs</p>	<p>C</p>  <p>Ø8x30mm x37+2 pcs</p>	<p>D</p>  <p>Ø5mm x18+2 pcs</p>
<p>E</p>  <p>Ø 5x40mm x6 pcs</p>	<p>F</p>  <p>Ø3x14mm x20+2 pcs</p>	<p>G</p>  <p>x12 pcs</p>	<p>H</p>  <p>x2 pcs</p>
<p>I</p>  <p>x2 pcs</p>	<p>J</p>  <p>M4x18mm x3 pcs</p>	<p>K</p>  <p>x3 pcs</p>	<p>L</p>  <p>Ø8x18mm x2 pcs</p>
<p>M</p>  <p>x1+1 pcs</p>	<p>N</p>  <p>Ø26mm x2 pcs</p>	<p>O</p>  <p>Ø3.5x12mm x34+4 pcs</p>	<p>P</p>  <p>M3 x1 pcs</p>
<p>Q</p>  <p>Ø26mm x2 pcs</p>	<p>R</p>  <p>65x32x15mm x1 pc</p>	<p>S</p>  <p>M3x12mm x1 pc</p>	<p>T</p>  <p>Ø8x40mm x1 pc</p>
<p>U</p>  <p>M5x38mm x1 pc</p>	<p>V</p>  <p>x1 pc</p>	<p>W</p>  <p>x4 pcs</p>	<p>X</p>  <p>x1 pcs</p>






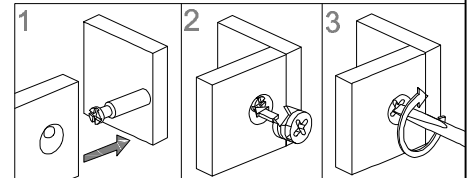
TIPS

1. When installing the product, use a soft surface (such as carpet or cardboard) to avoid scratching or damaging the surface of the product.
2. Please try to use a manual screwdriver instead of an electric screwdriver. A manual screwdriver can be used to better control the tightness of the screws.
3. Do not use glue.
4. The product is unstable before assembly. Please observe the product installation sequence and align all screws and screw holes before tightening.
5. The structure of this product may not meet the requirements of children climbing.

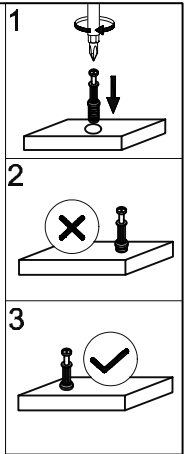
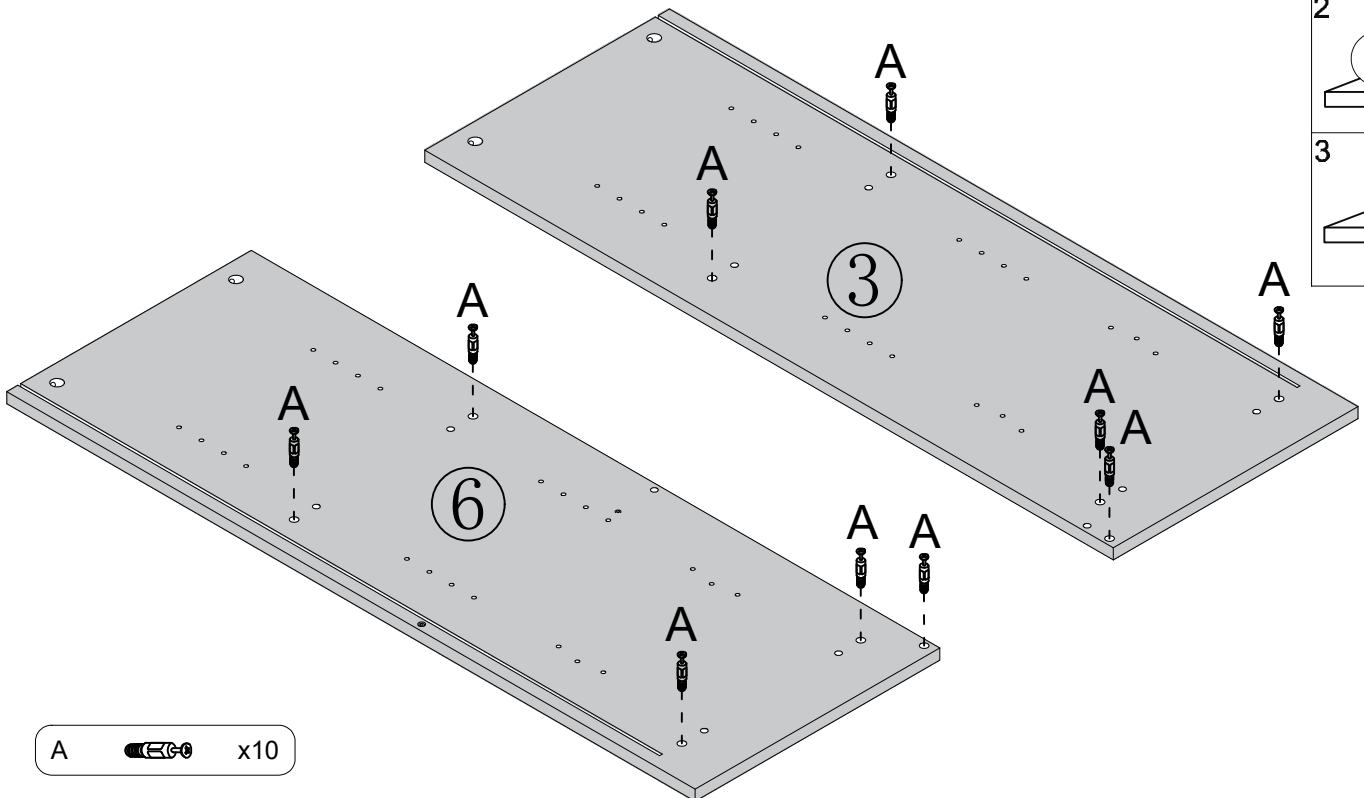
STEP 1

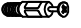


- A  x2
- B  x2
- C  x1

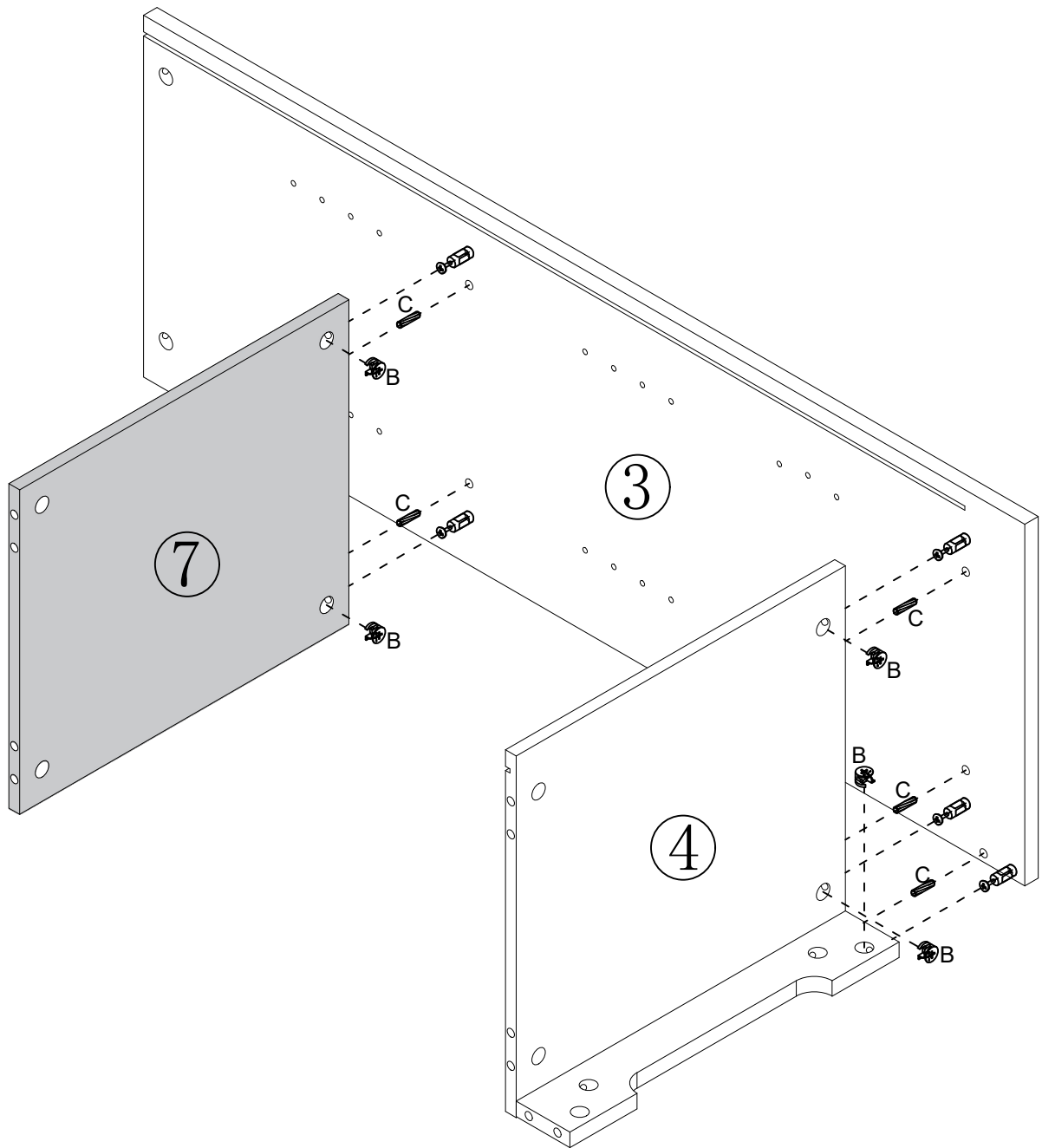




STEP 2

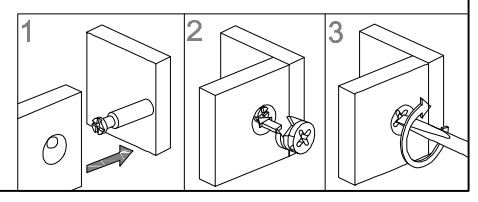


- A  x10

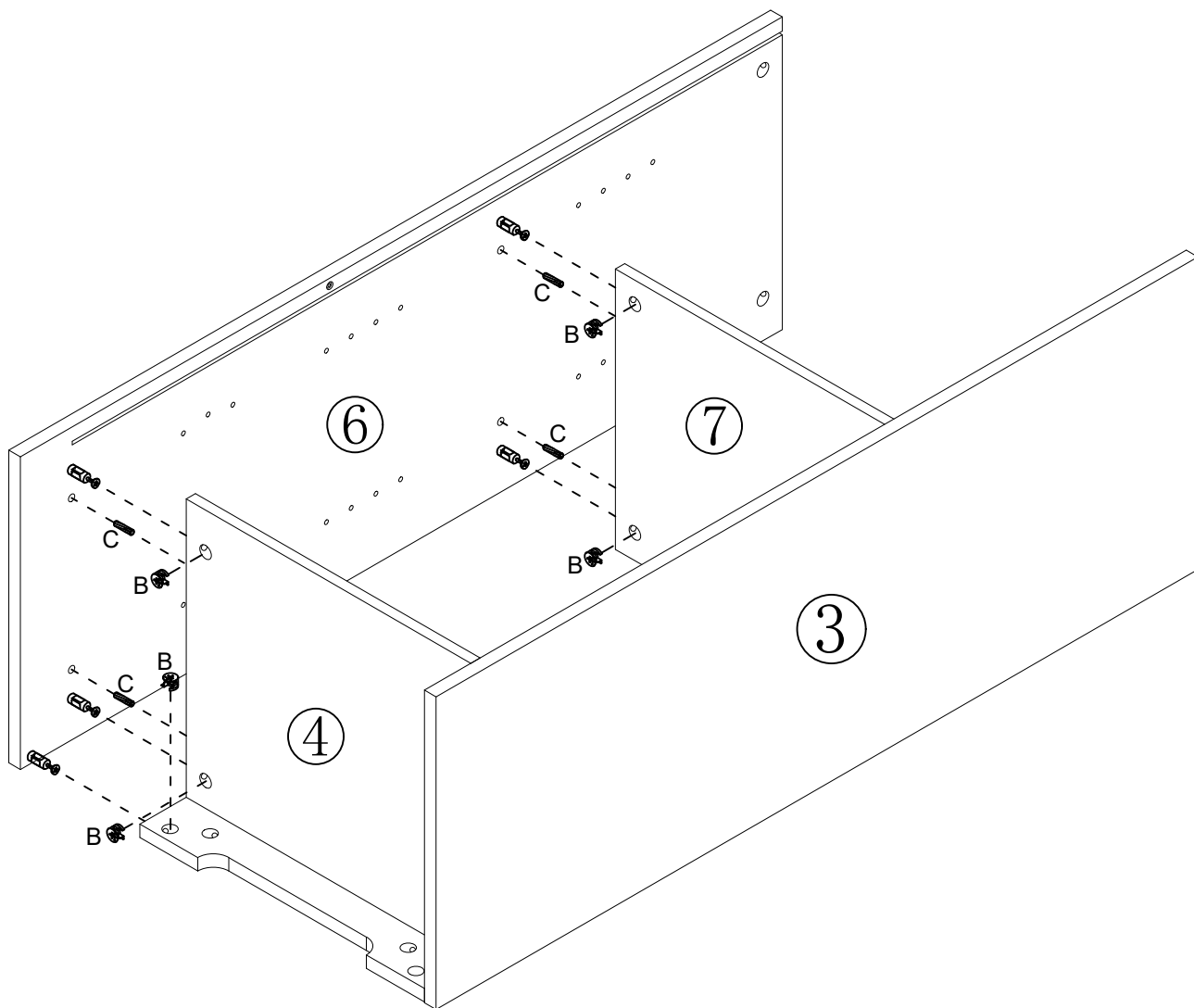
STEP 3




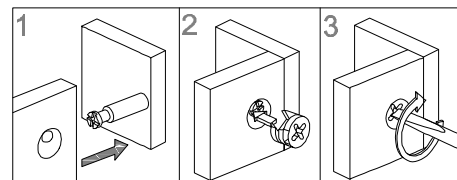
- | | | |
|---|---|----|
| B |  | x5 |
| C |  | x5 |



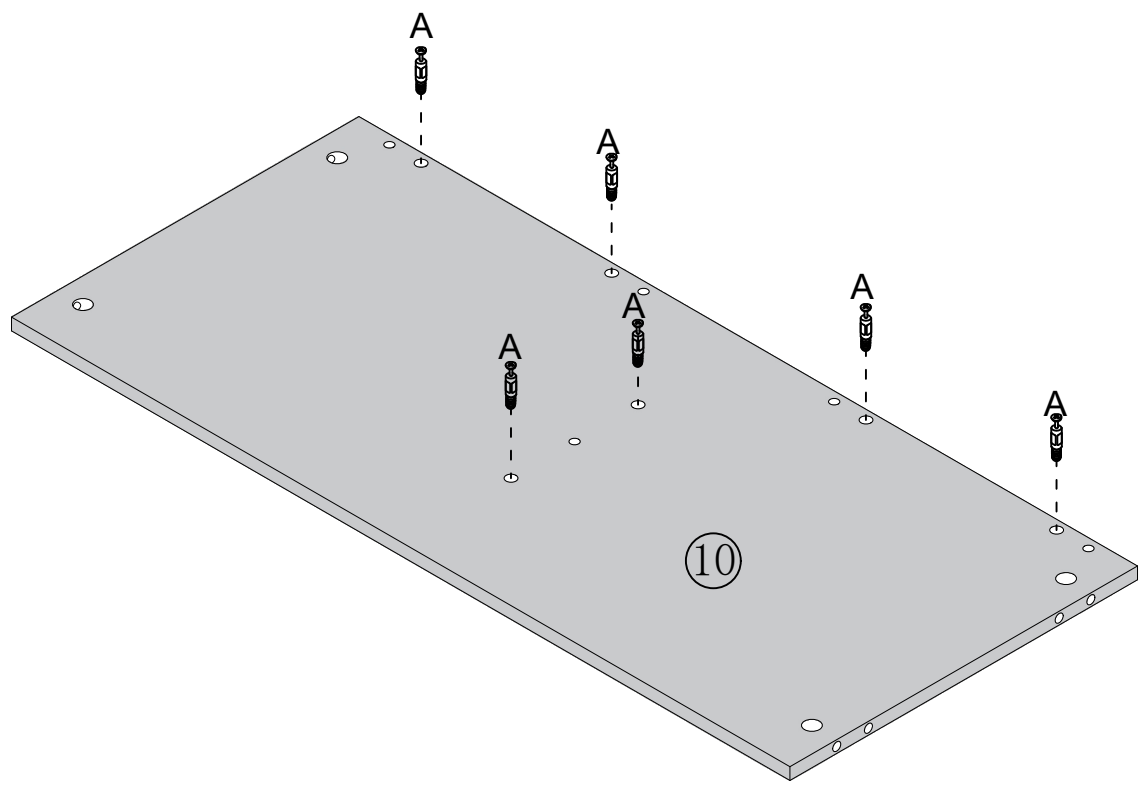
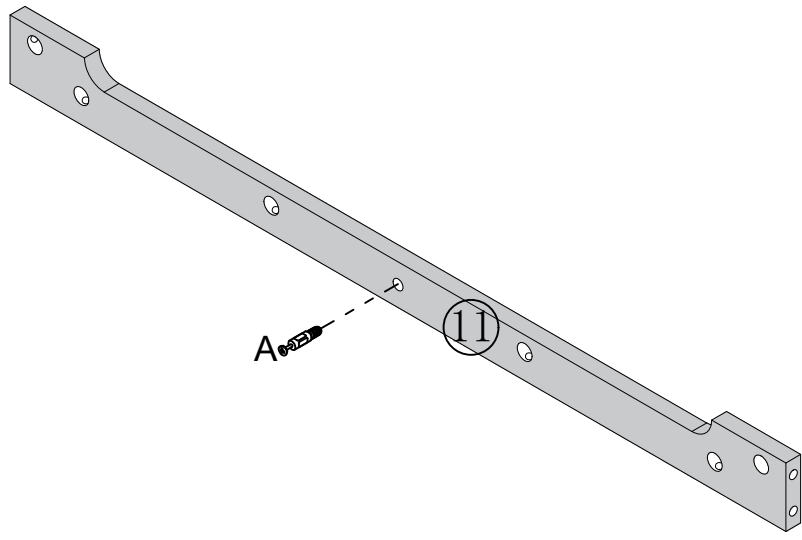
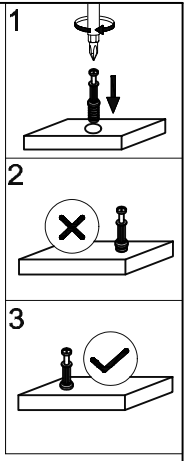
STEP 4



- | | | |
|---|---|----|
| B |  | x5 |
| C |  | x4 |

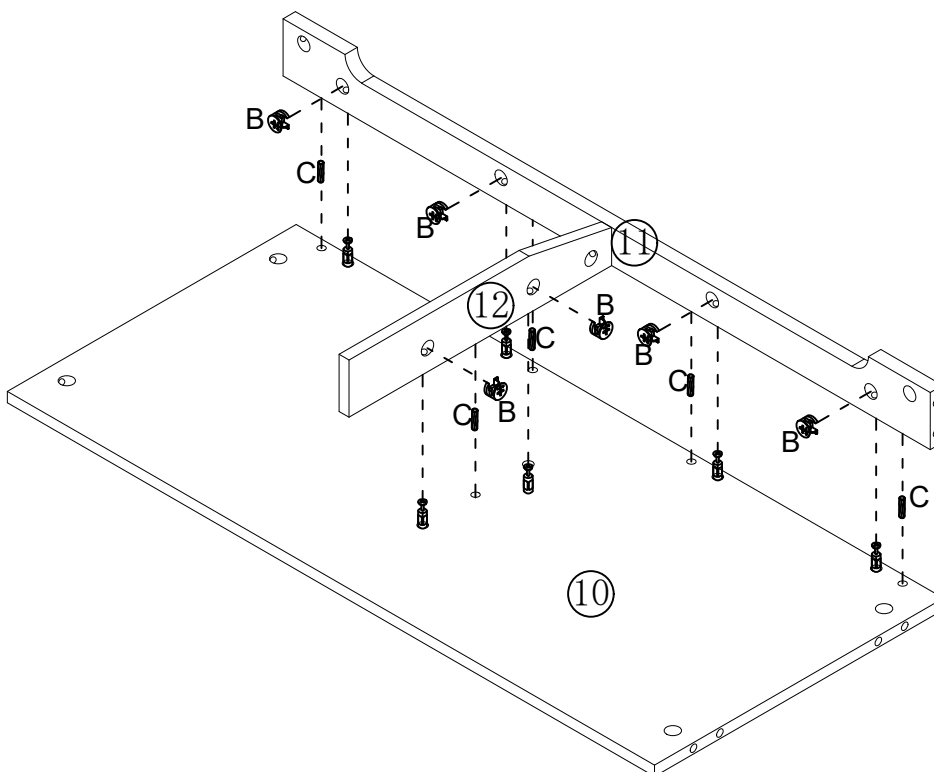
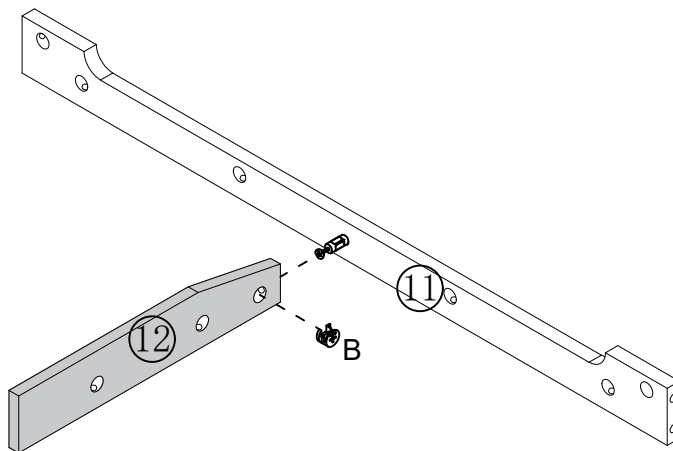




STEP 5

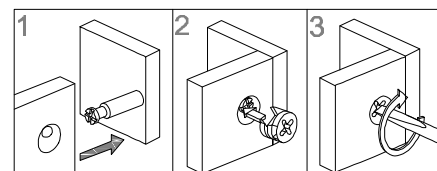


A  x7

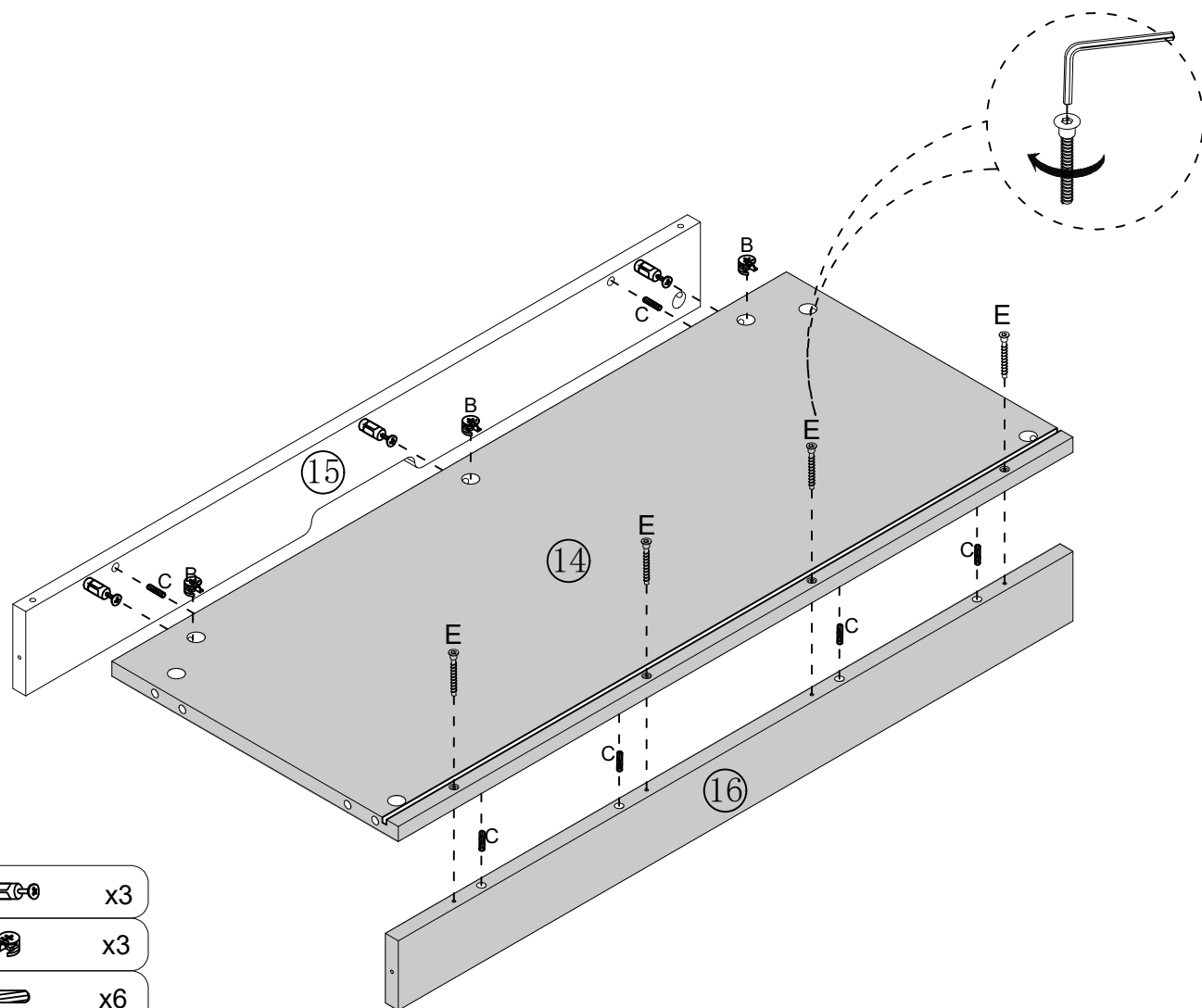
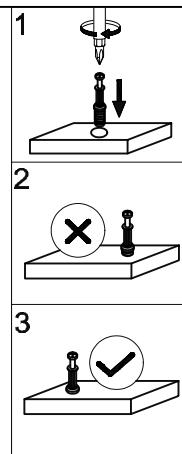
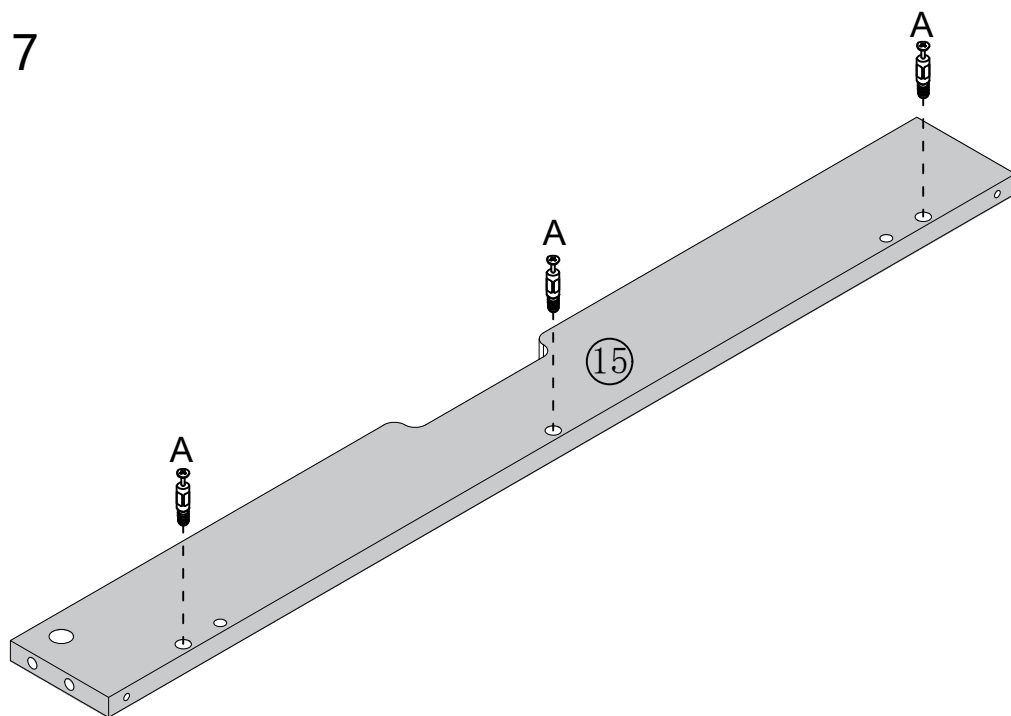
STEP 6



- | | | |
|---|---|----|
| B |  | x7 |
| C |  | x5 |

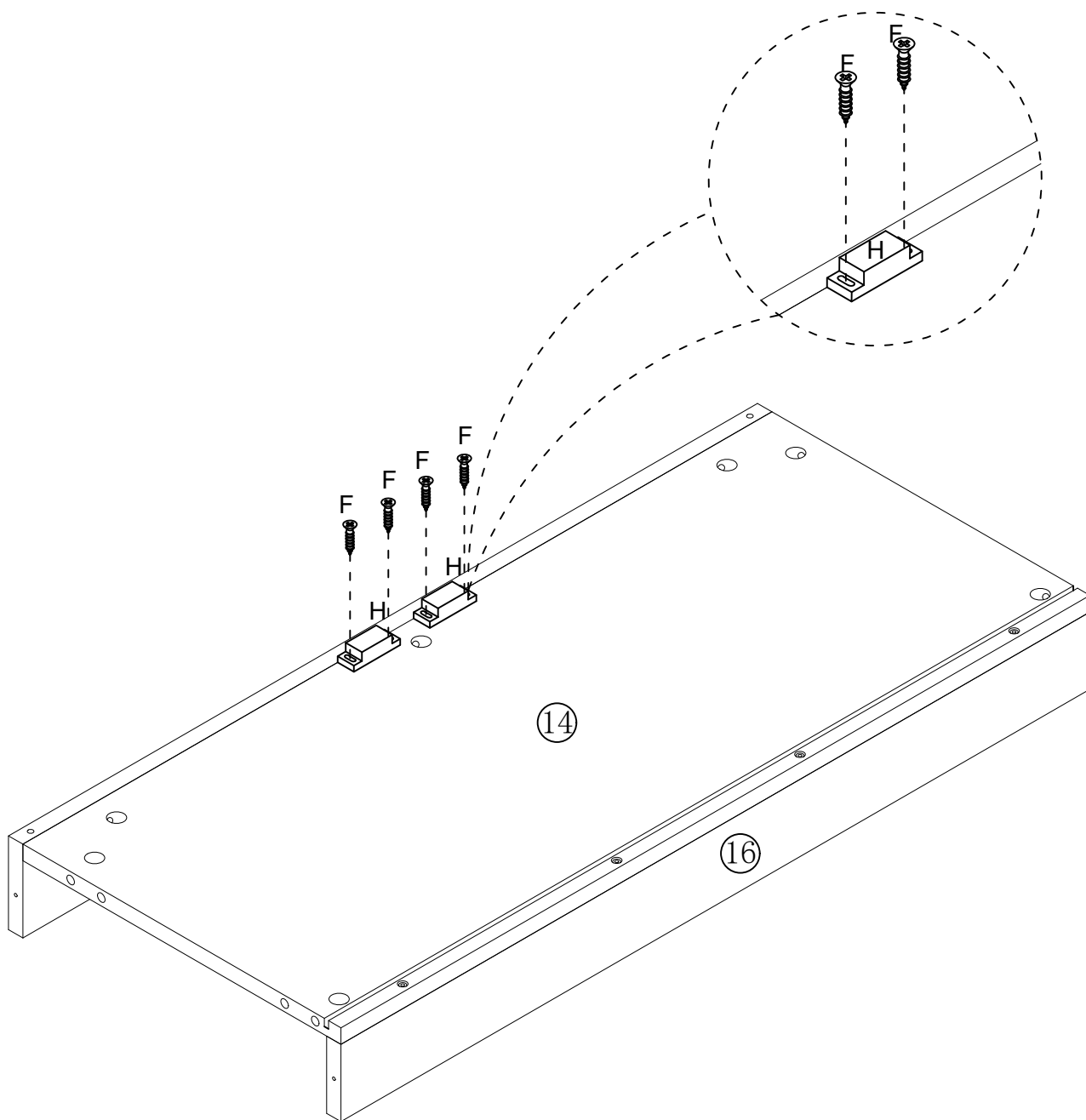




STEP 7

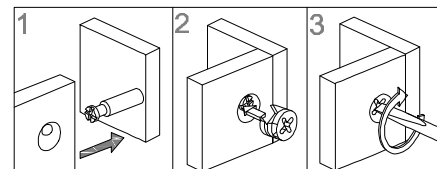


- | | | |
|---|--|----|
| A | | x3 |
| B | | x3 |
| C | | x6 |
| E | | x4 |
| P | | x1 |

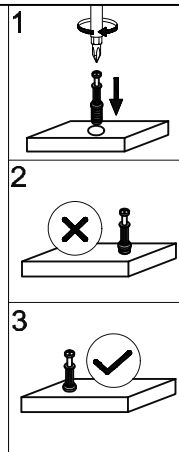
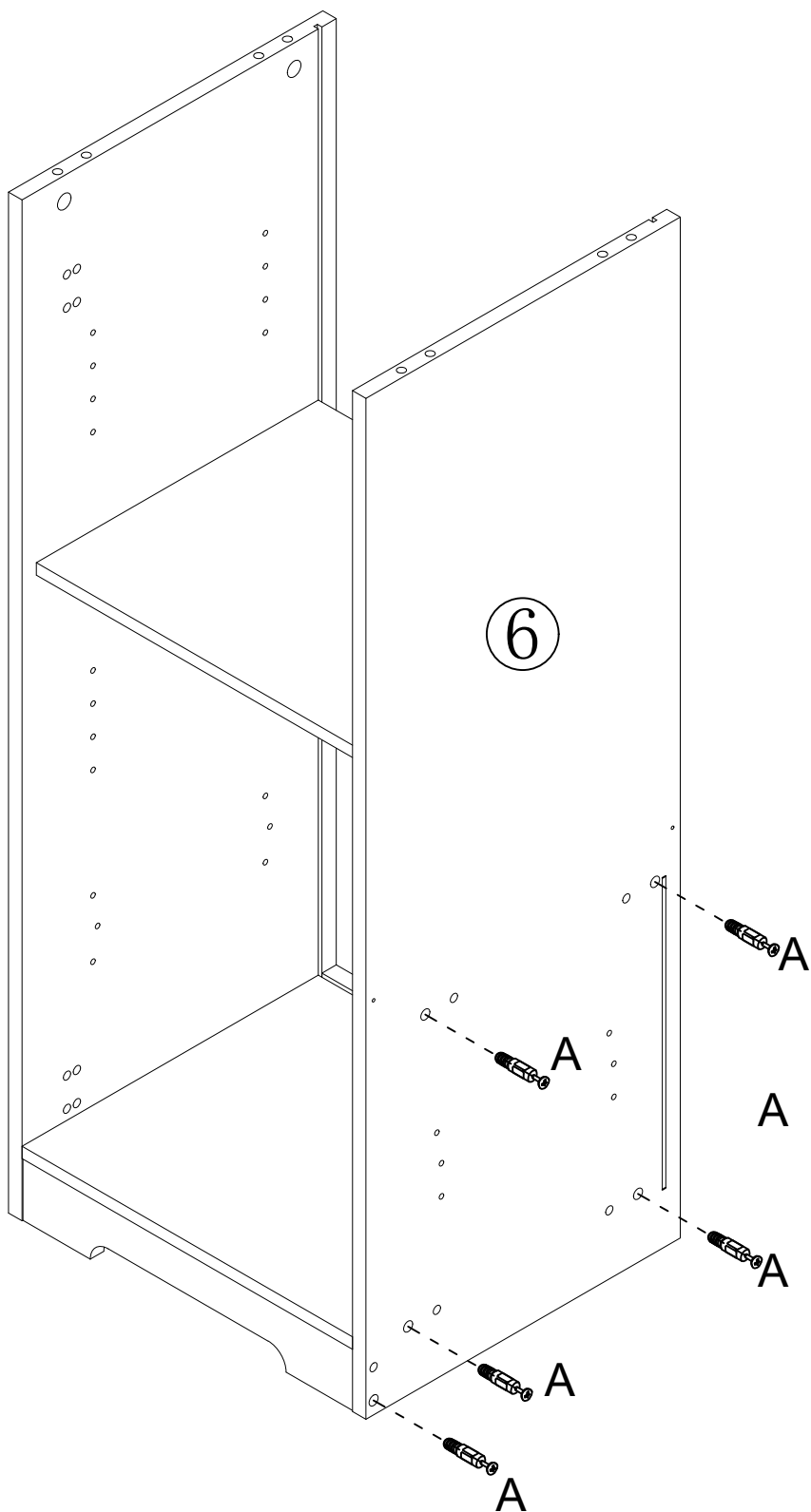
STEP 8



- F  x4
- H  x2

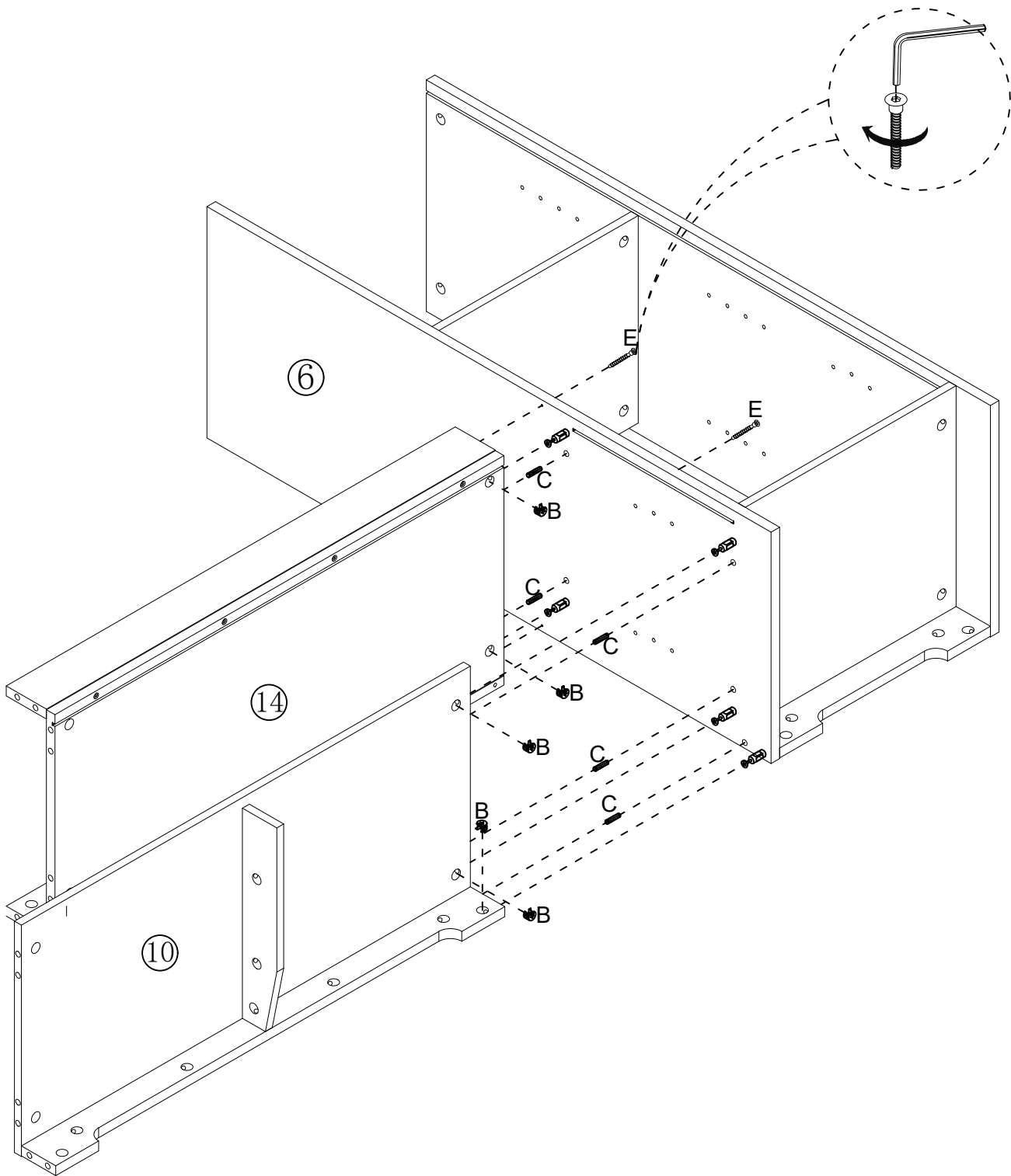






STEP 9

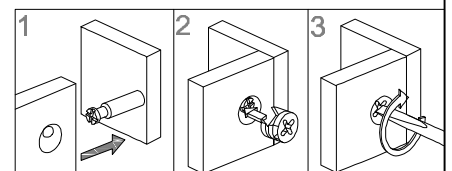


A  x5

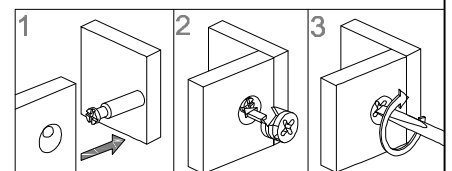
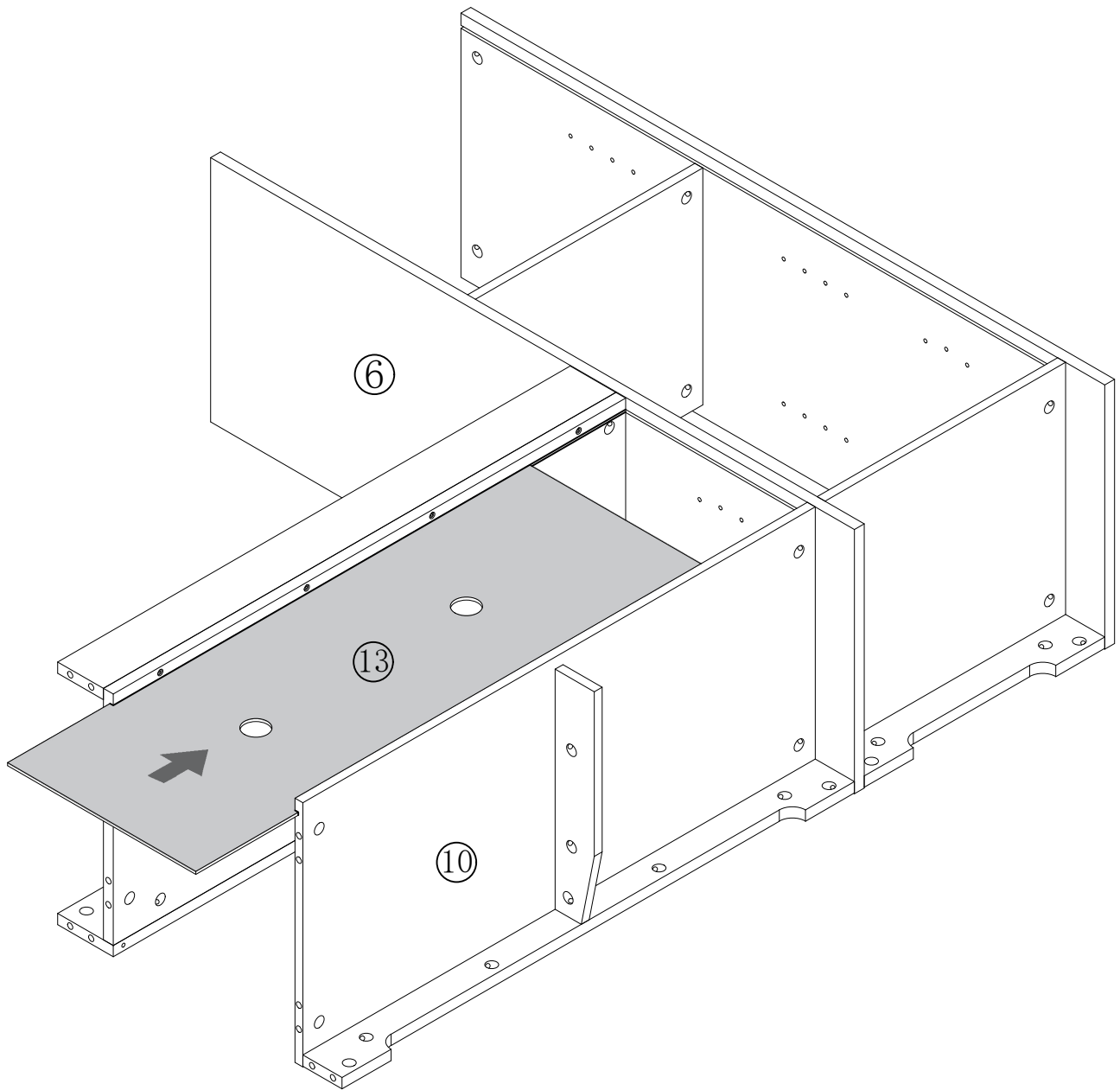
STEP 10



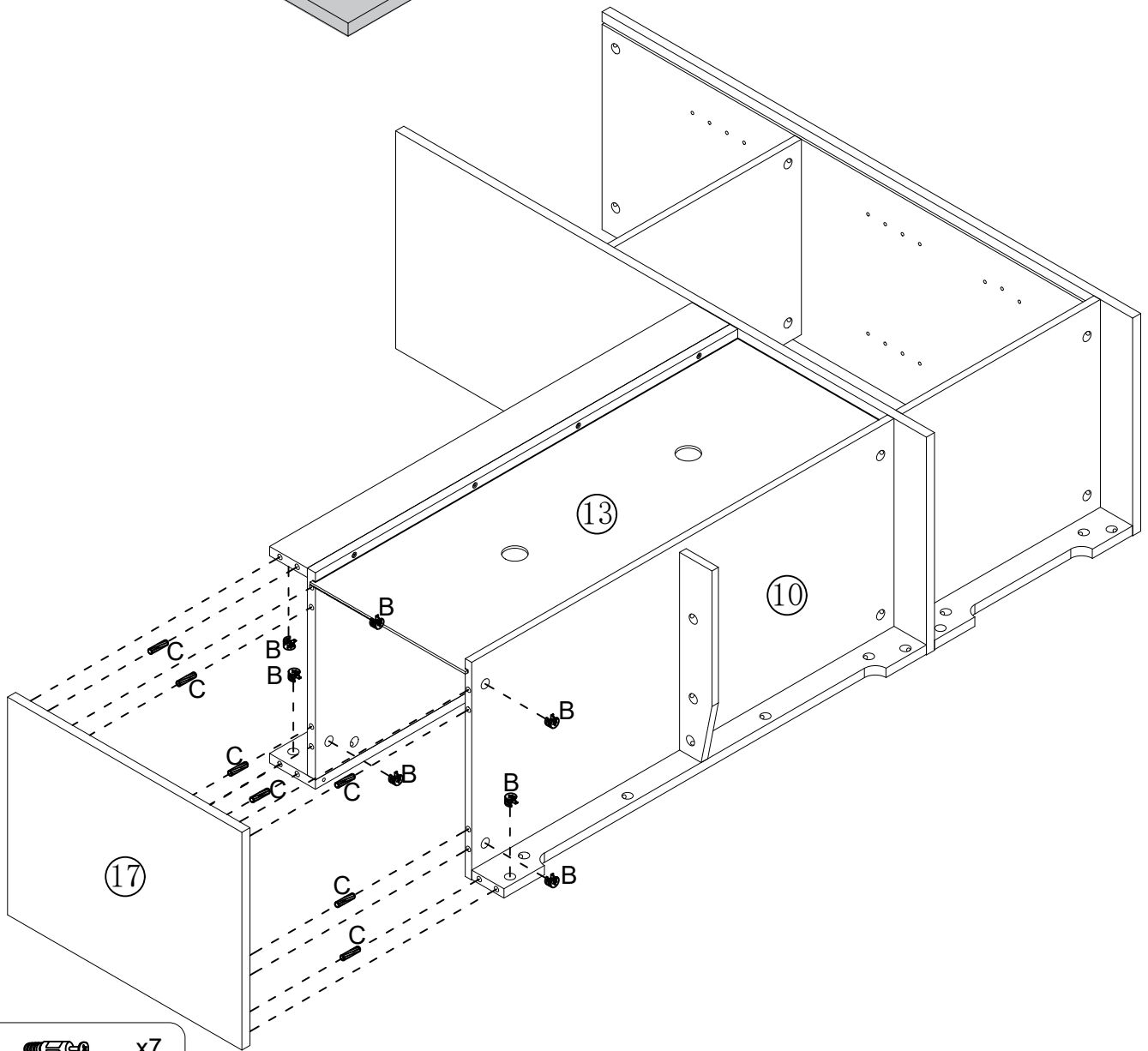
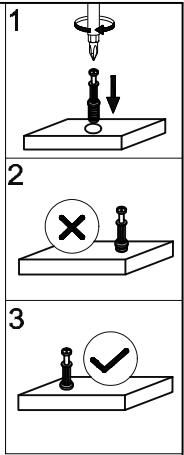
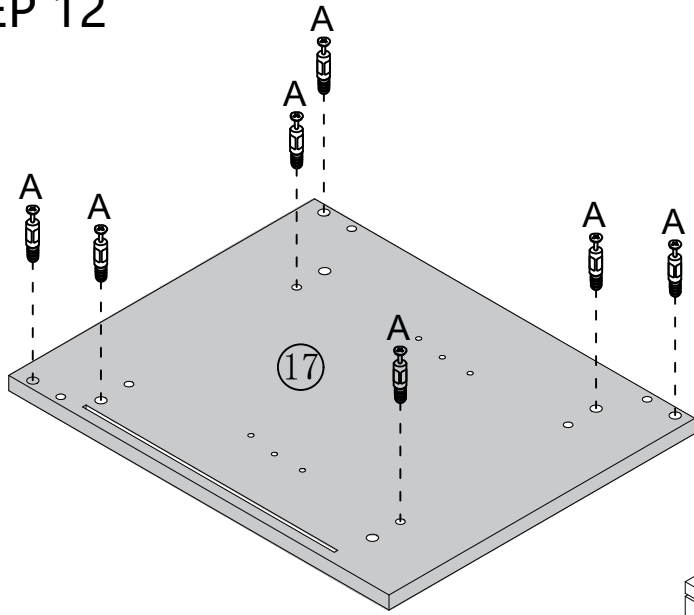
B		x5
C		x5
E		x2
P		x1






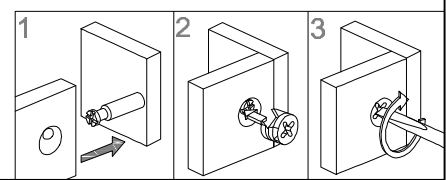
STEP 11



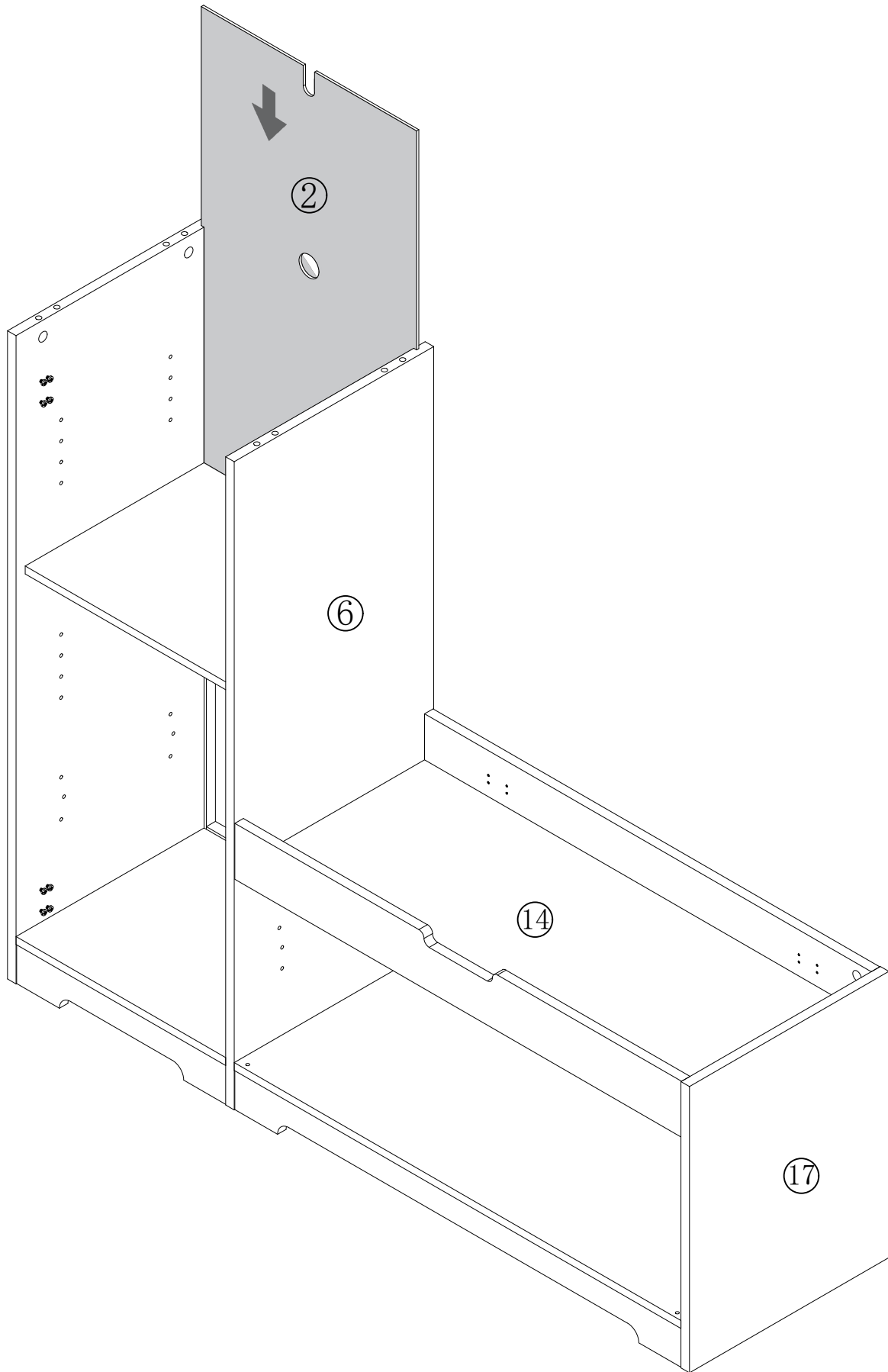
STEP 12



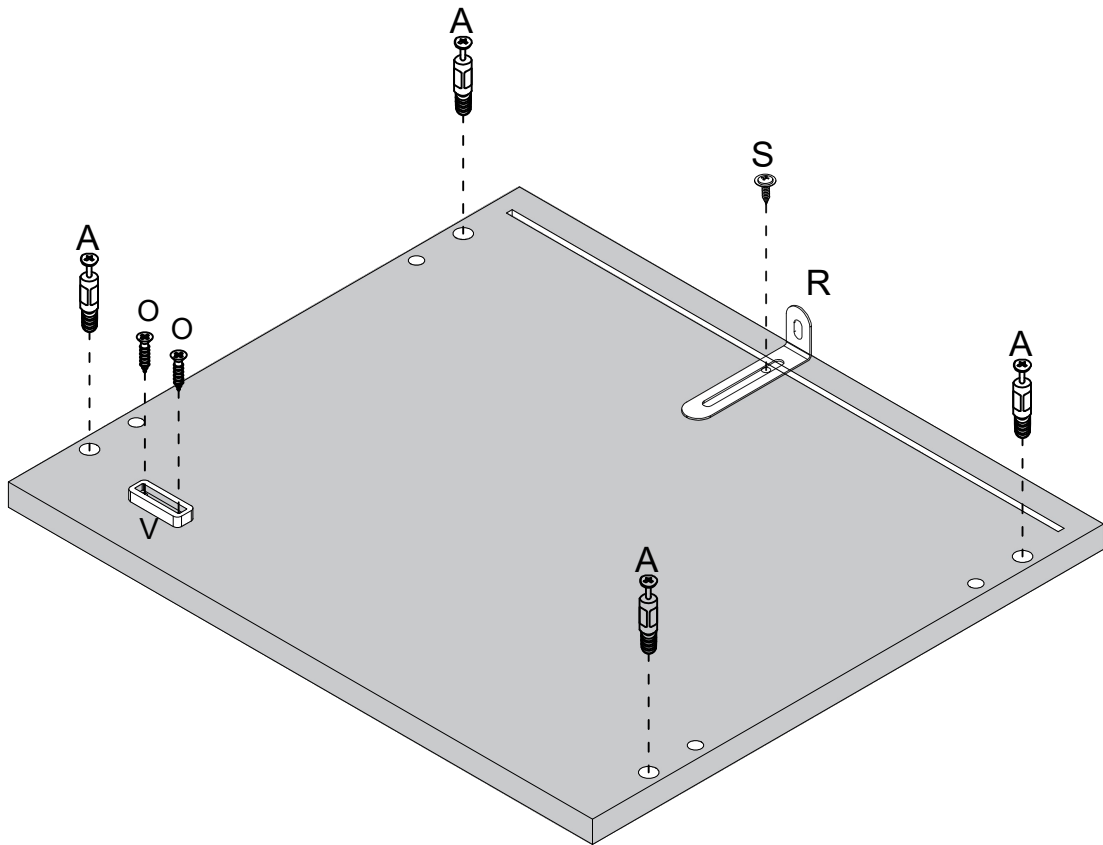
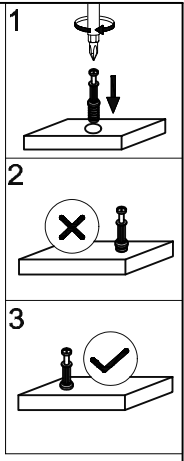
- A  x7
- B  x7
- C  x7




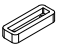



STEP 13

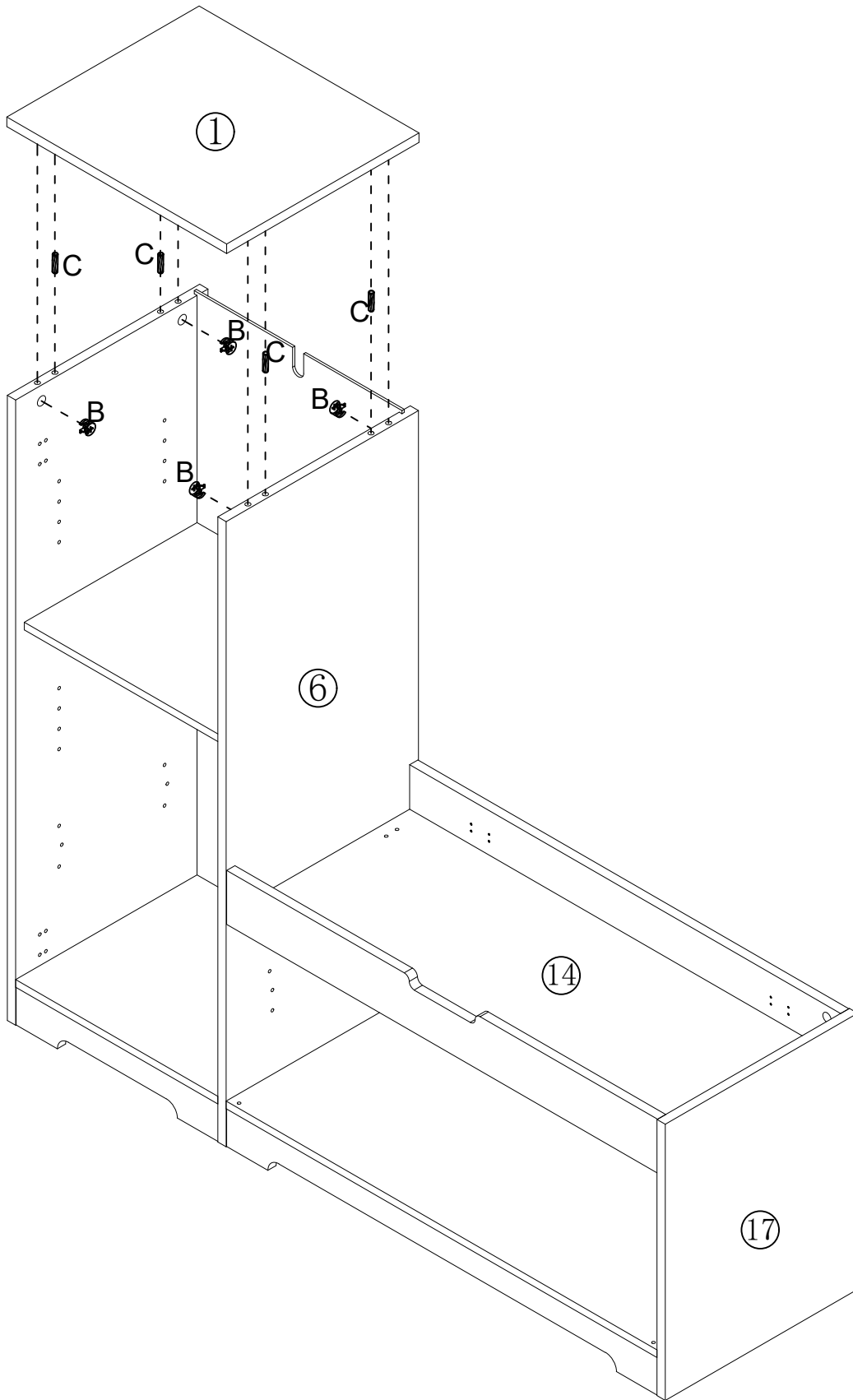




STEP 14

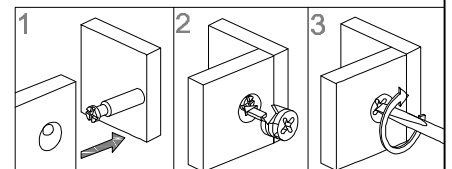


- A  x4
- R  x1
- O  x2
- V  x1
- S  x1

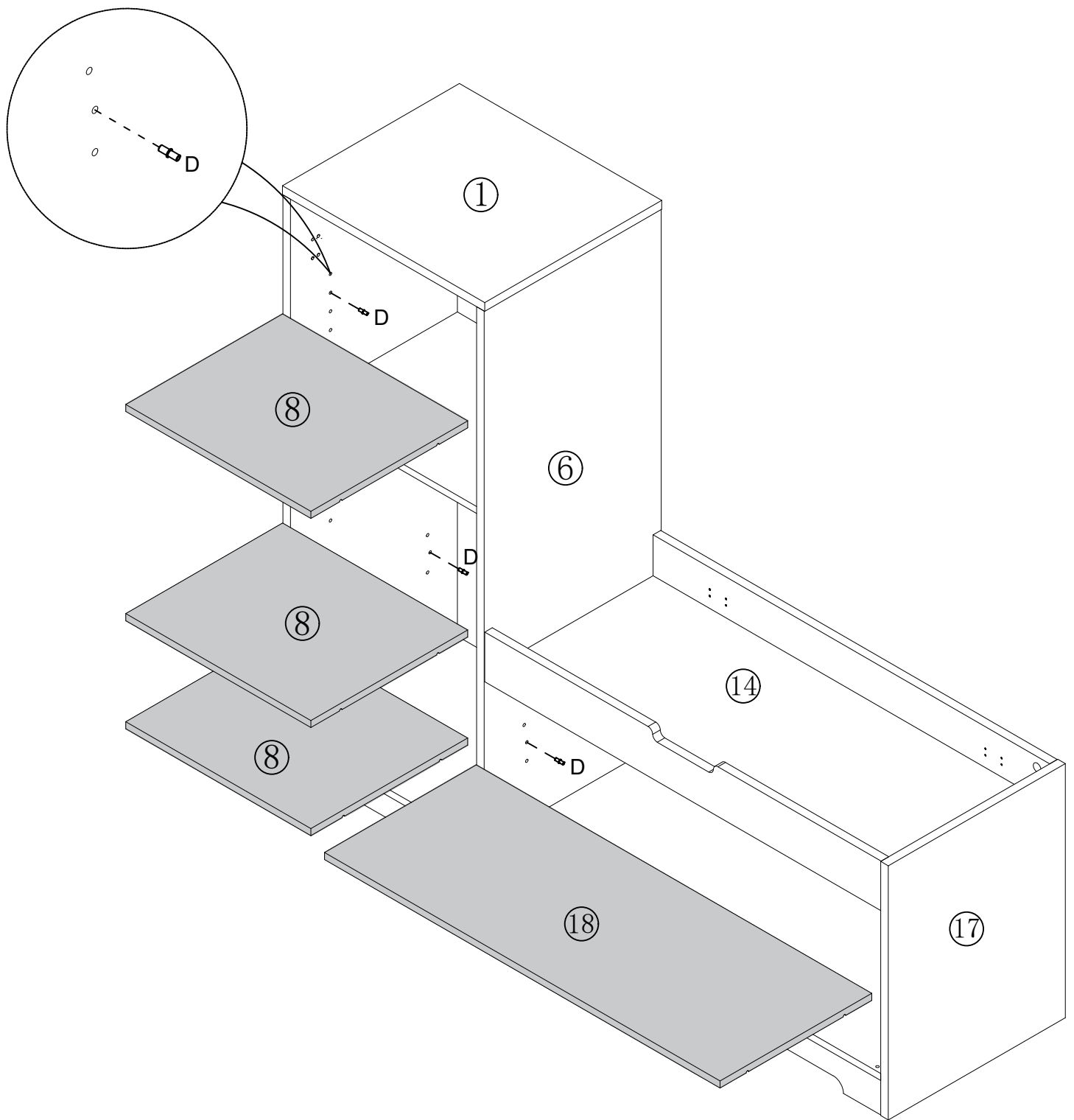
STEP 15



- | | | |
|---|---|----|
| B |  | x4 |
| C |  | x4 |

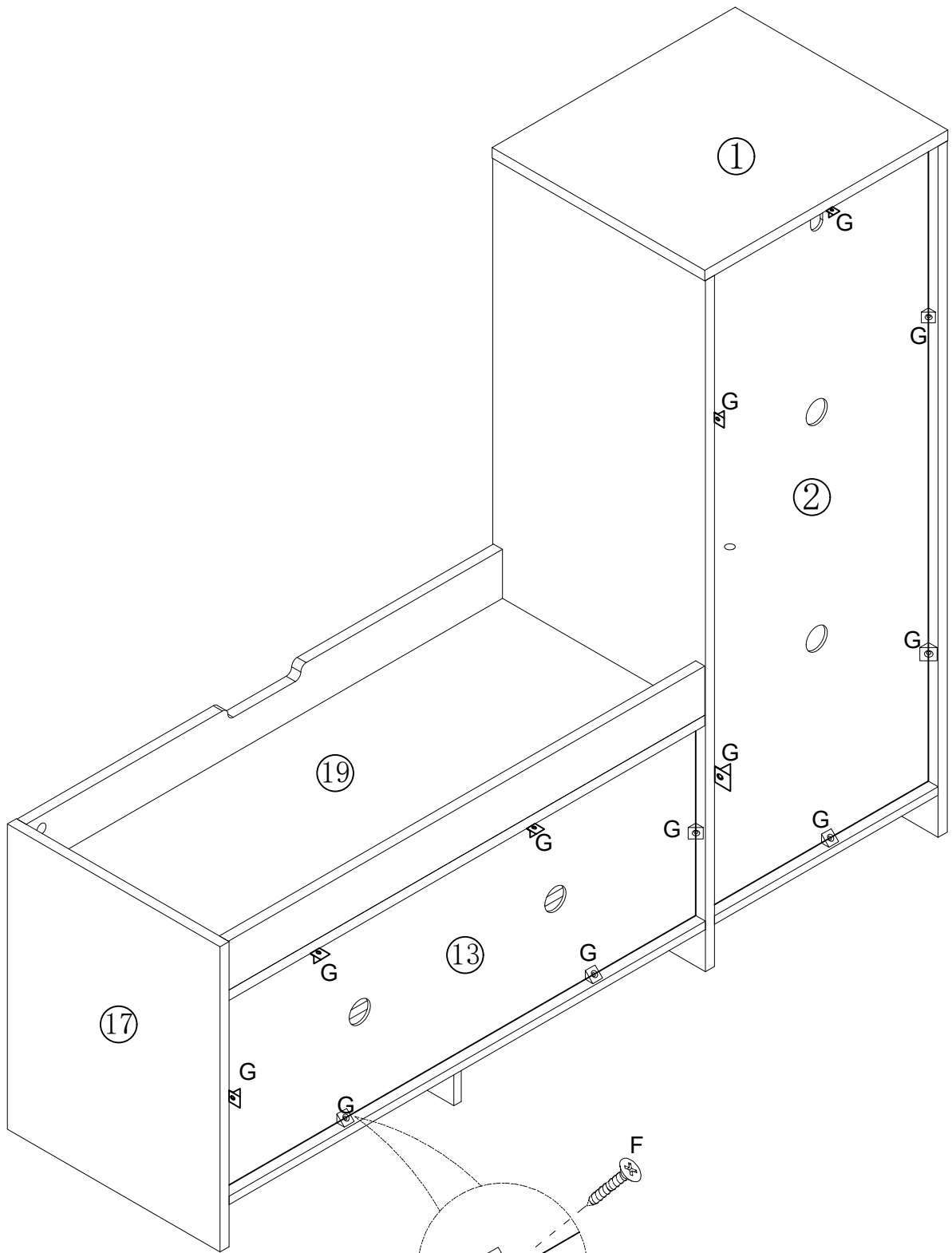




STEP 16



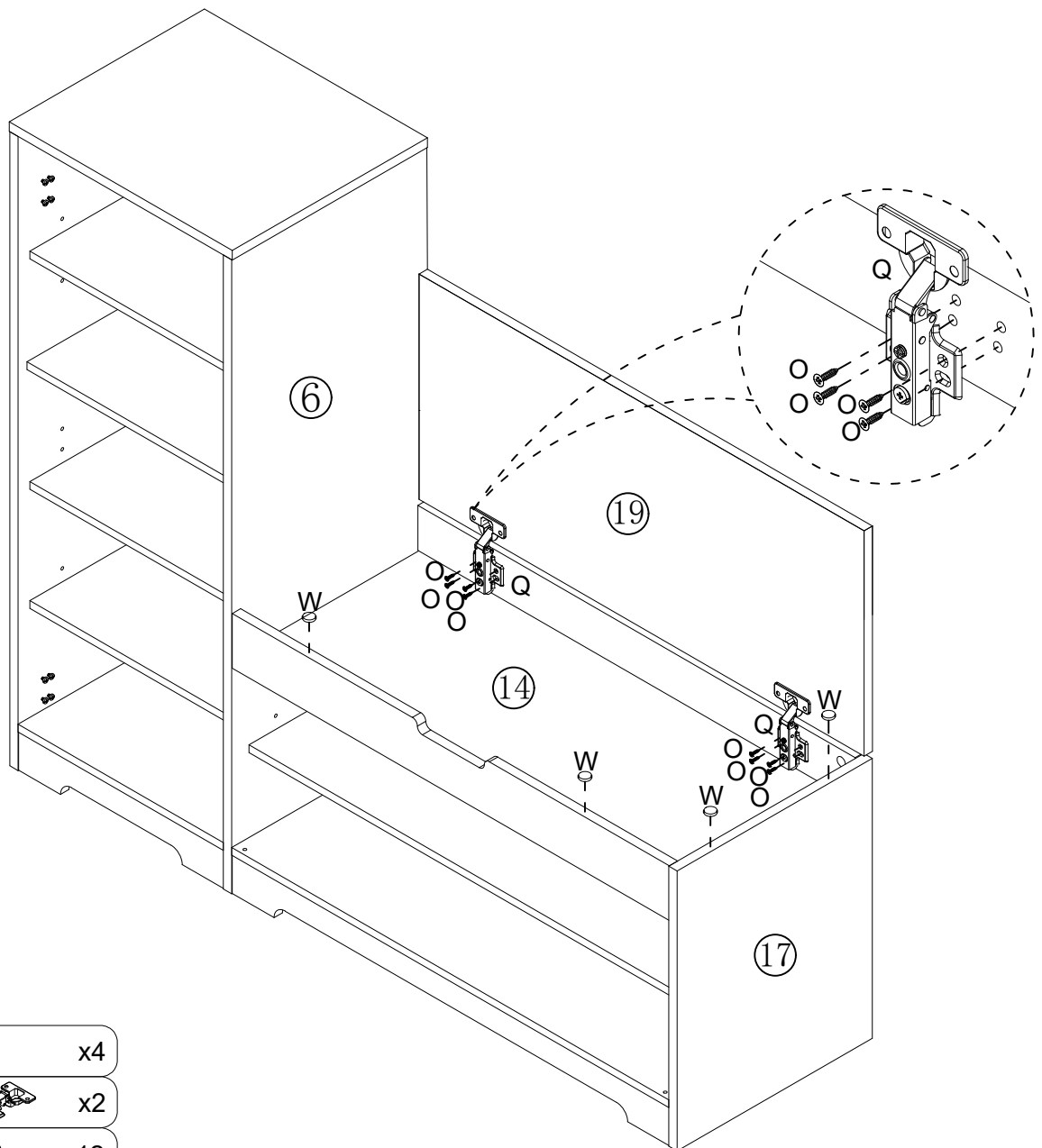
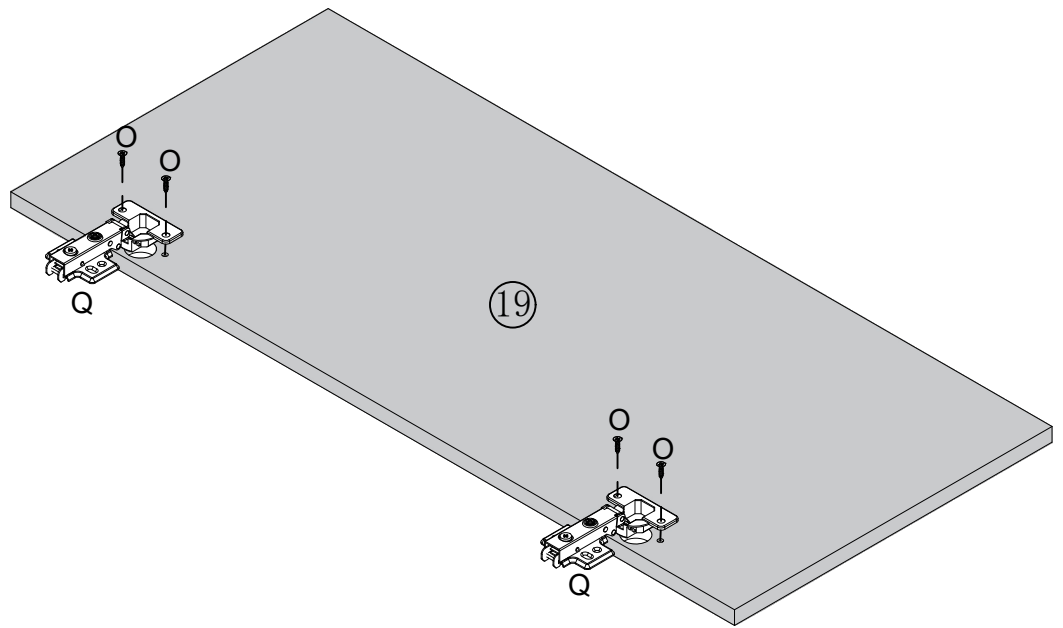
D  x16




STEP 17



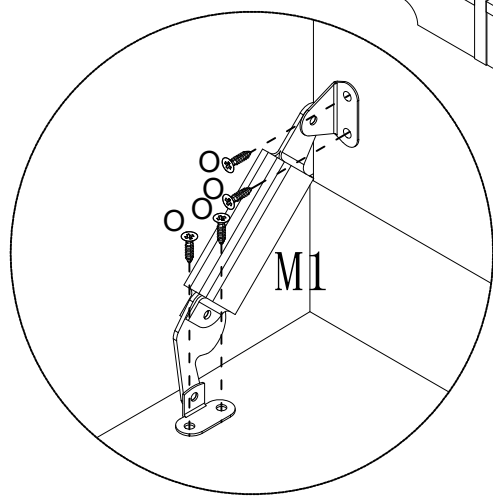
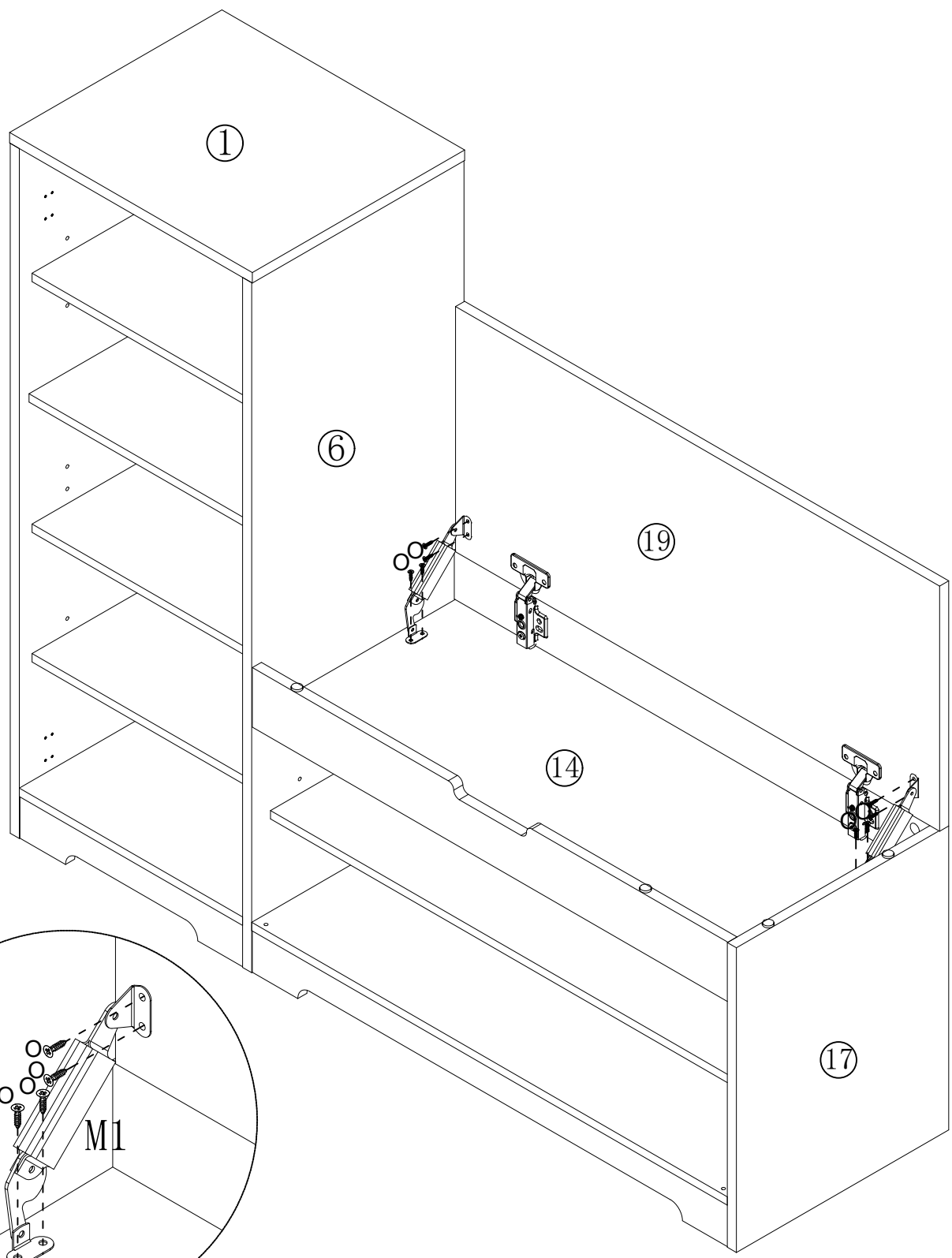
- | | | |
|---|---|-----|
| G |  | x12 |
| F |  | x12 |



STEP 18



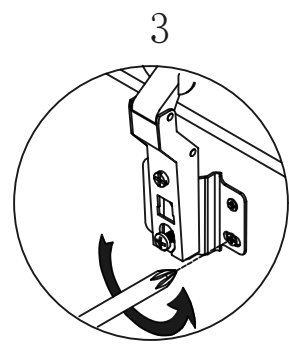
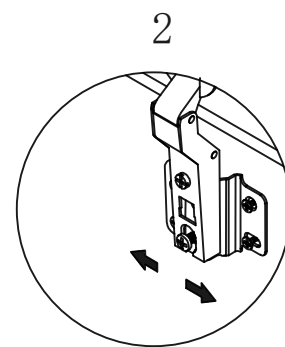
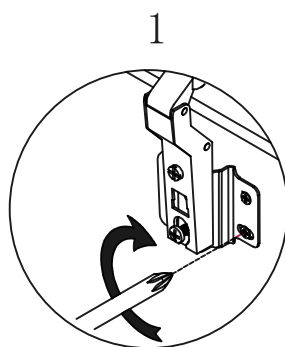
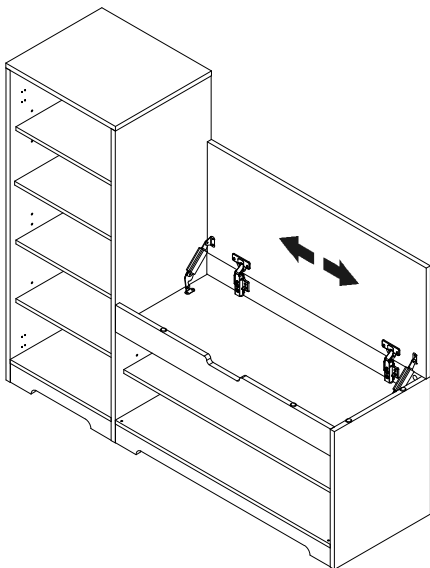
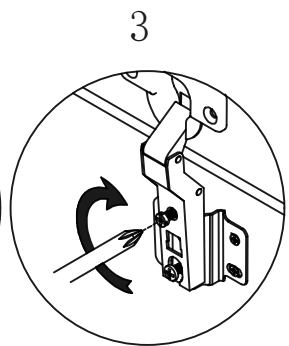
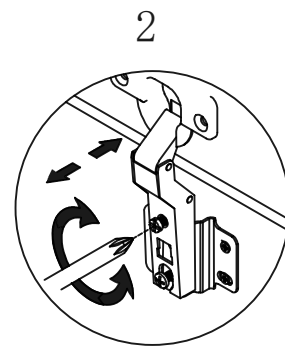
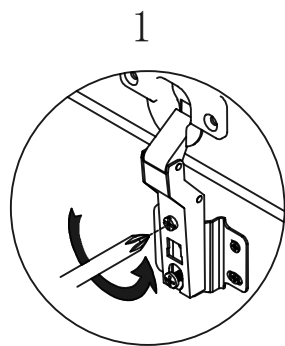
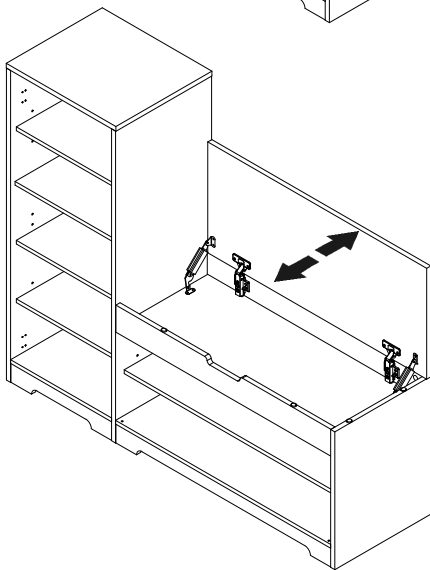
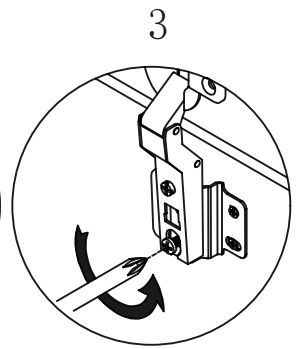
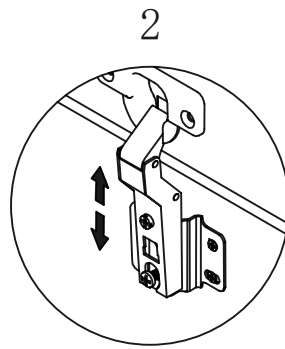
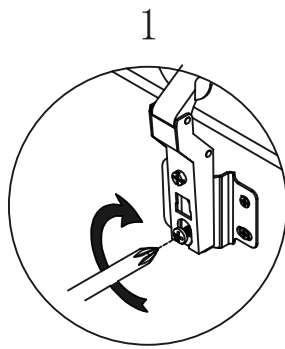
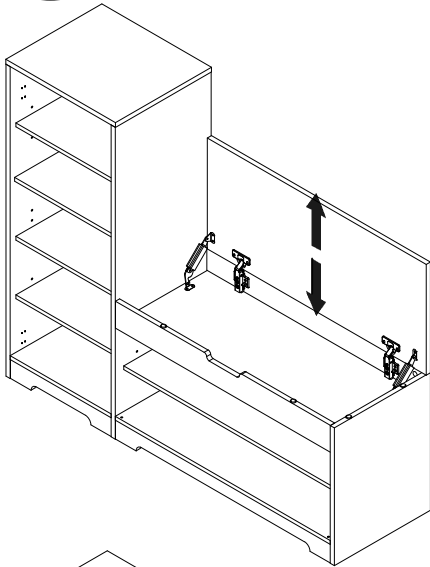
W		x4
Q		x2
O		x12

STEP 19

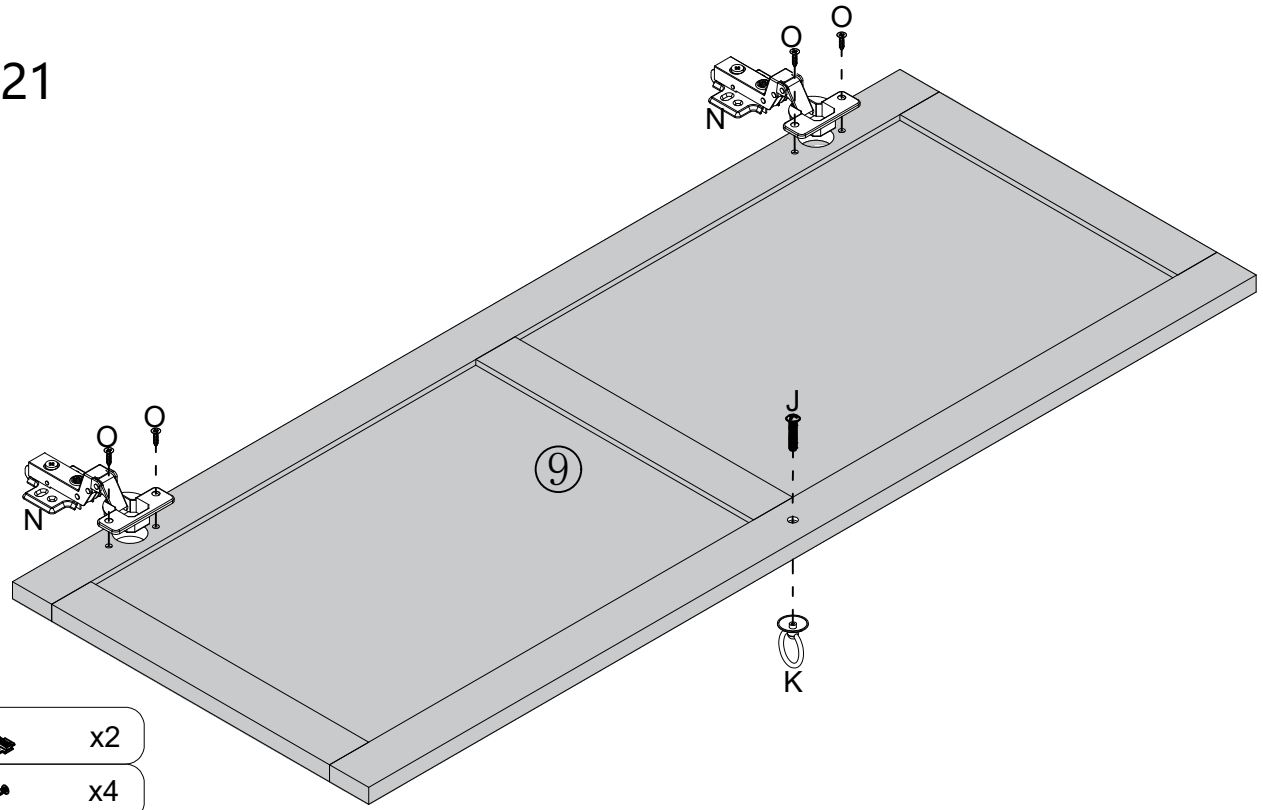






- M  x2
- O  x8

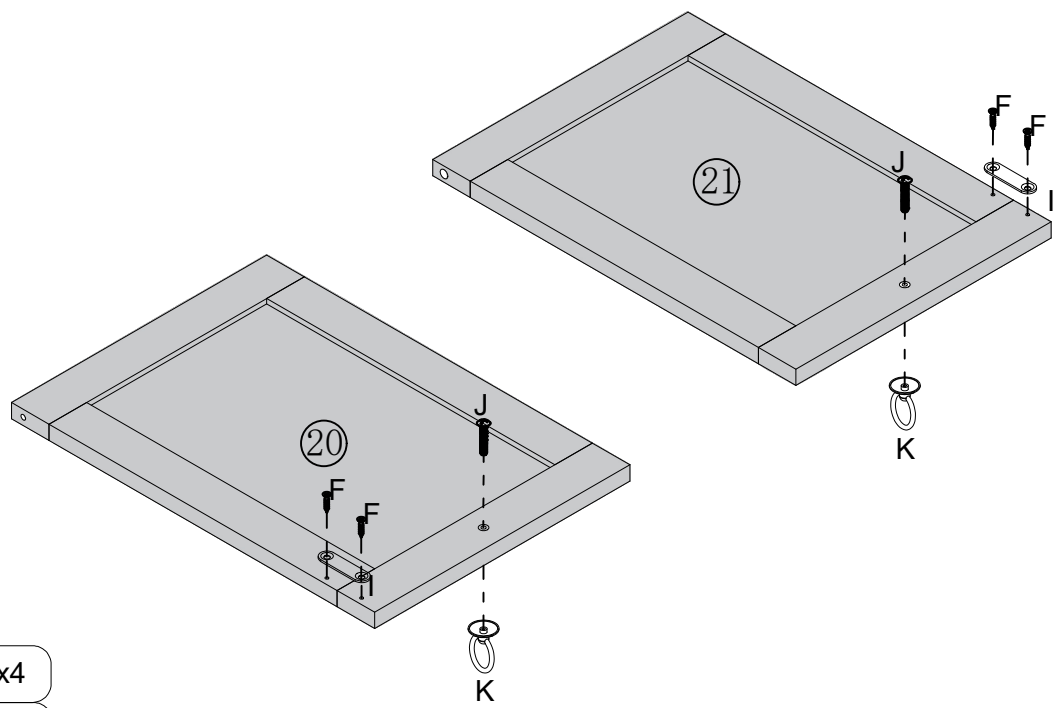
STEP 20







STEP 21

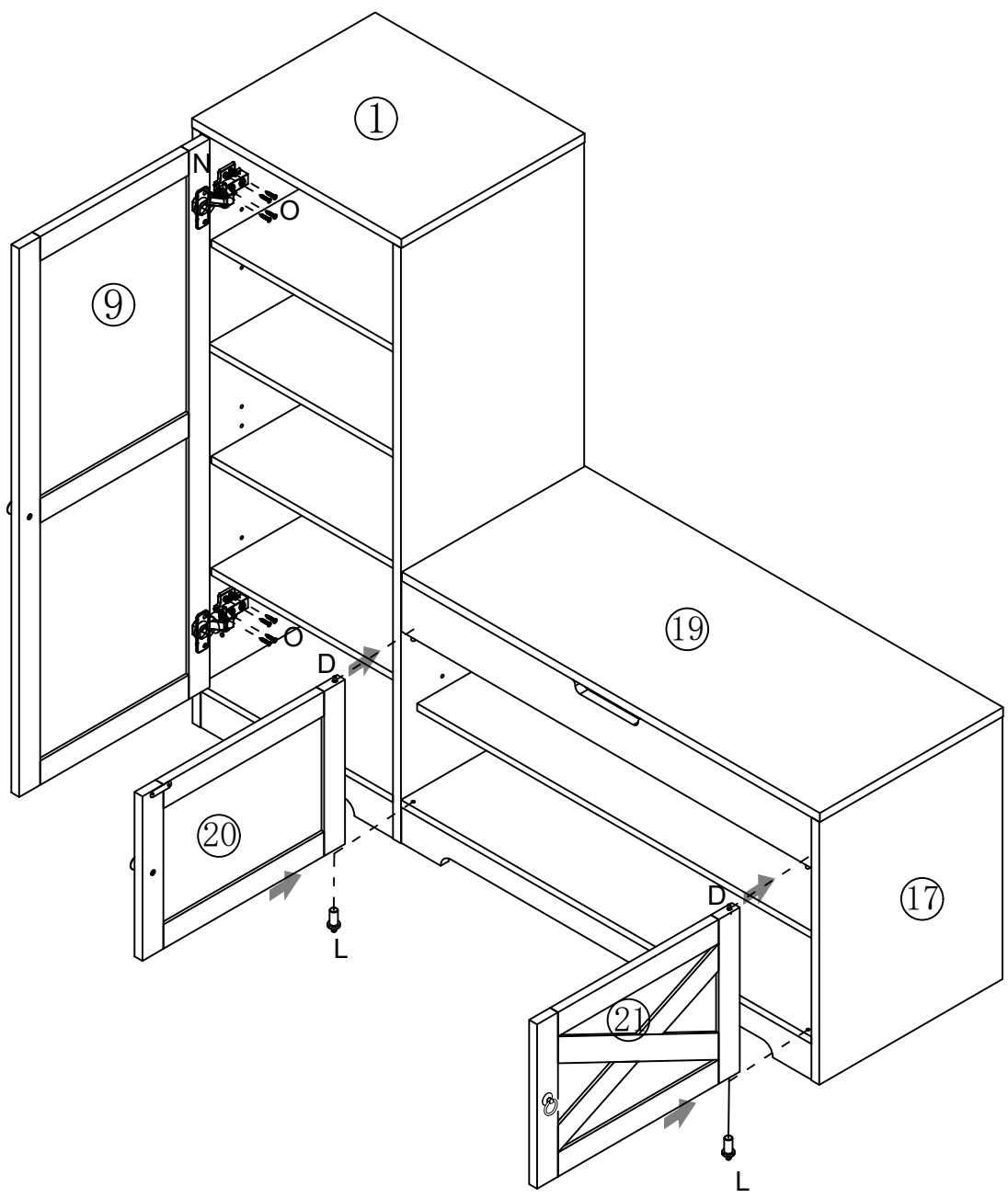





- N  x2
- O  x4
- J  x1
- K  x1

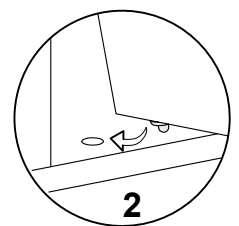
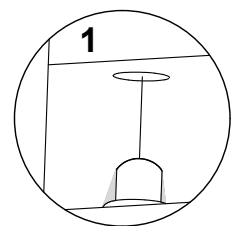


- F  x4
- J  x2
- I  x2
- K  x2

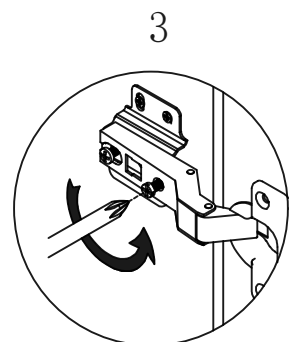
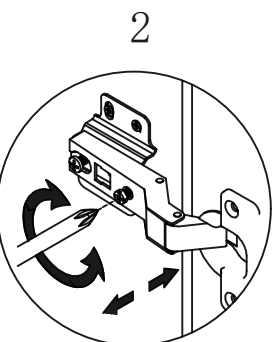
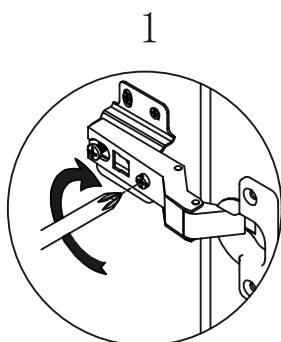
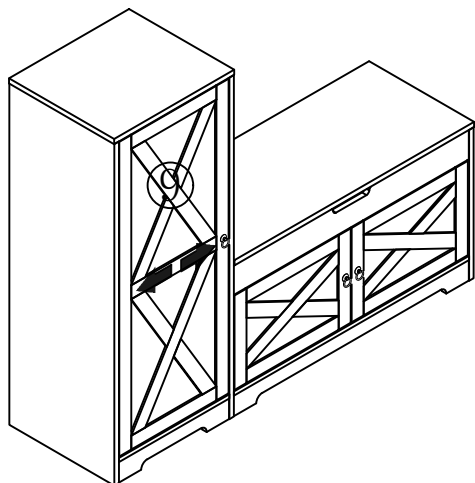
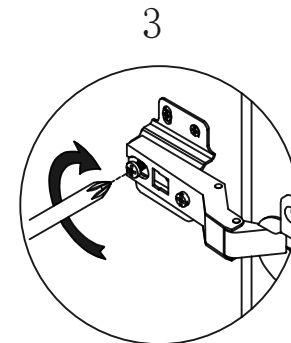
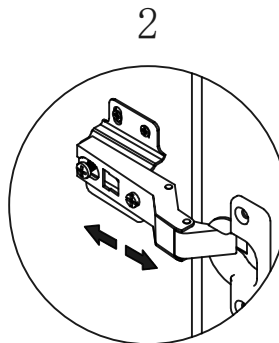
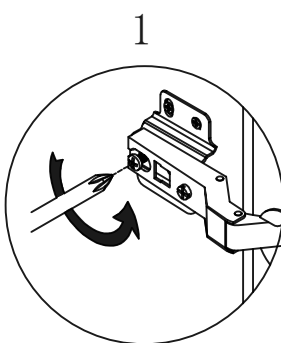
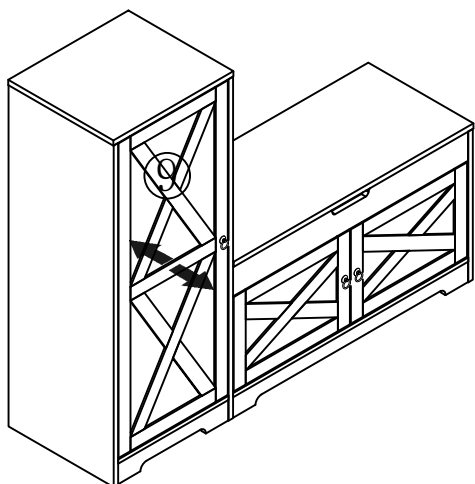
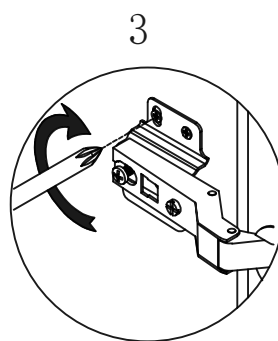
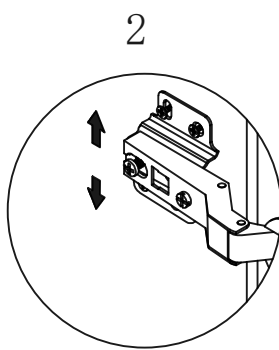
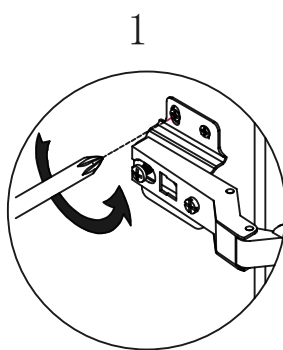
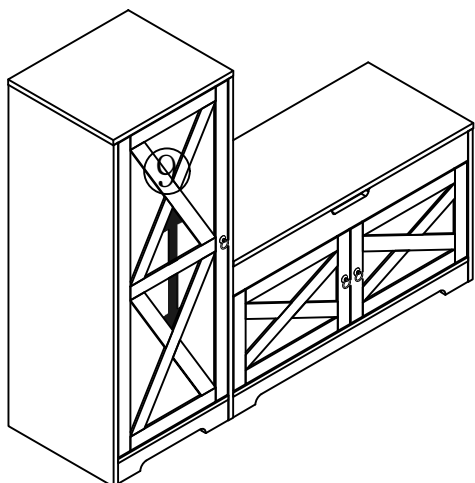
STEP 22



O		x8
L		x2
D		x2

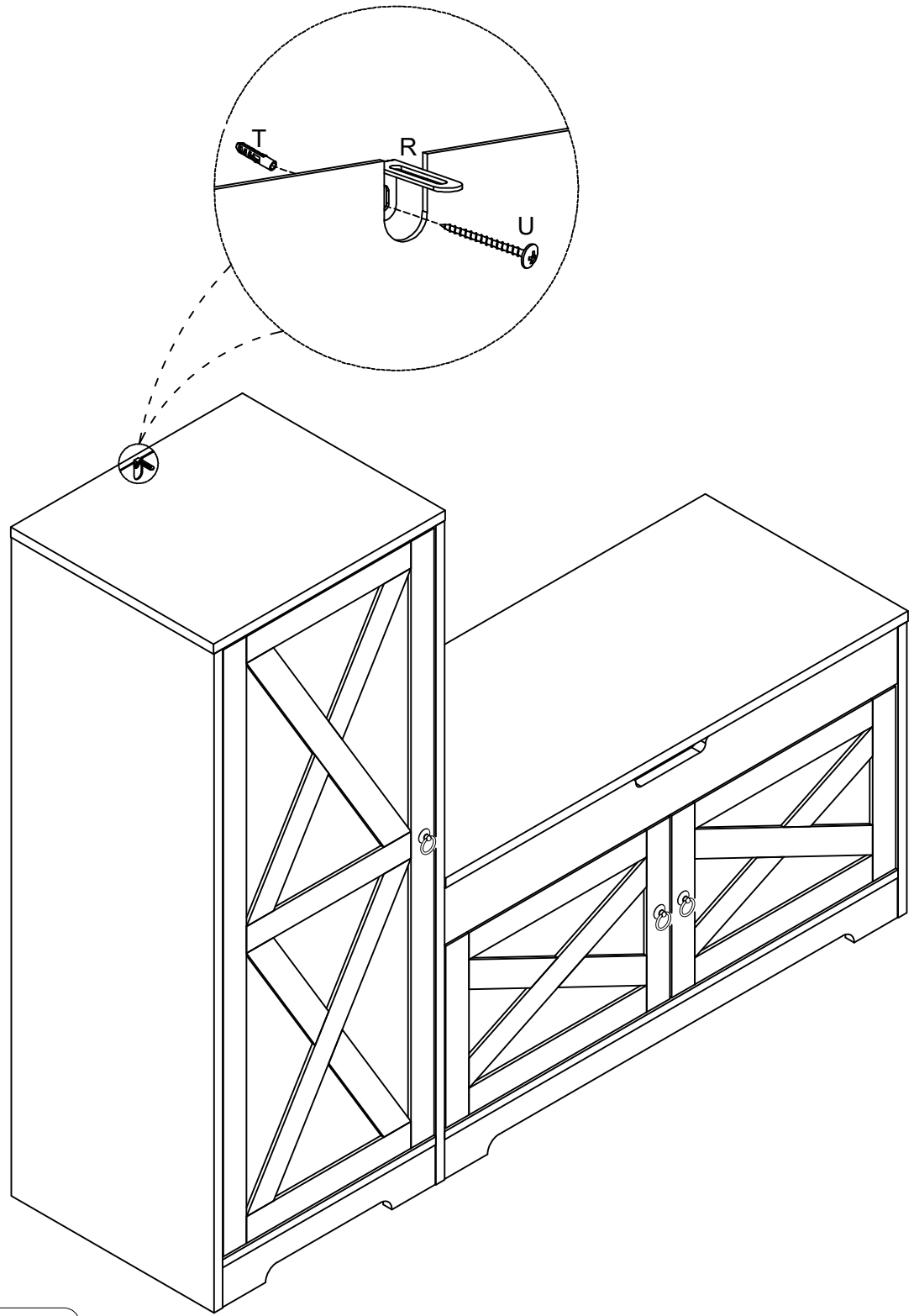



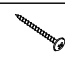
STEP 23



STEP 24

STEP 1 STEP 2 STEP 3 STEP 4



- T  x1
- U  x1

