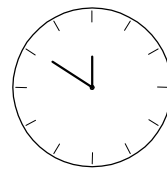
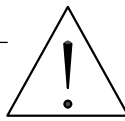
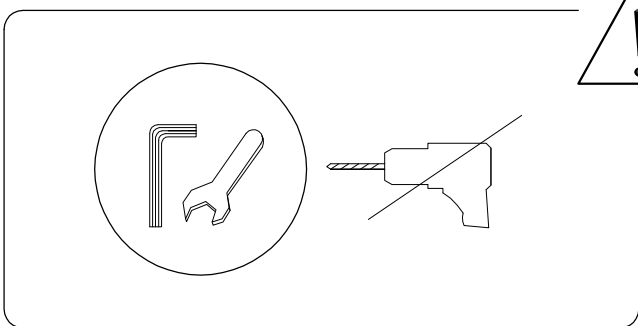
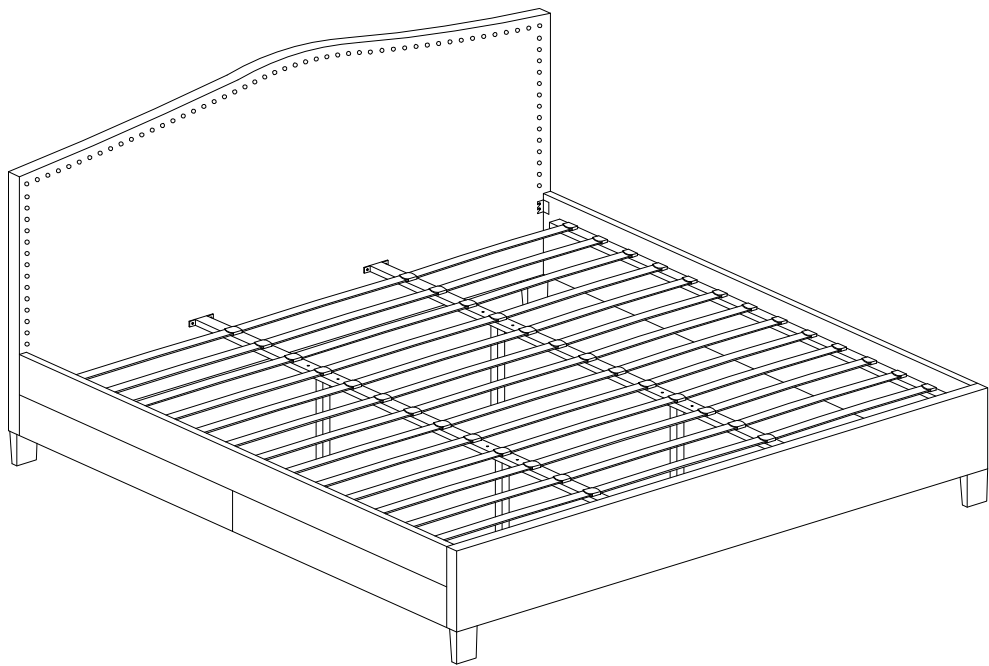
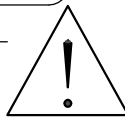
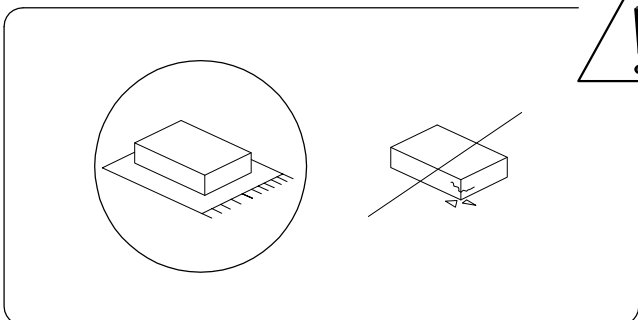


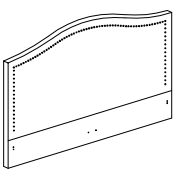
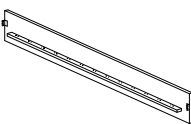
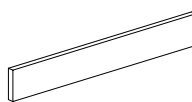
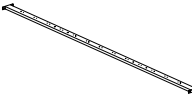
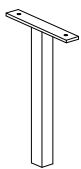

A

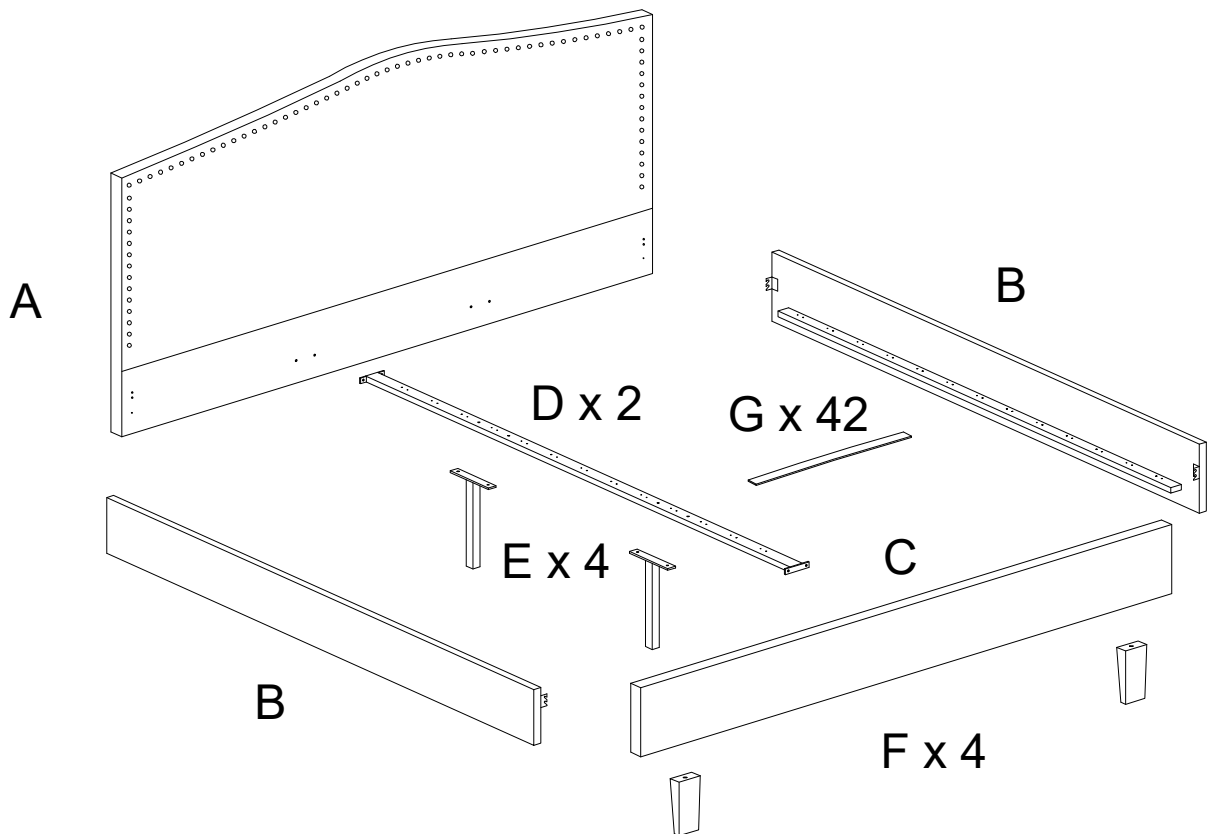



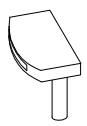
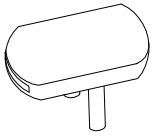
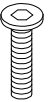
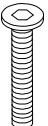
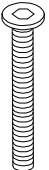
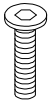
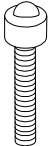
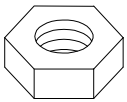
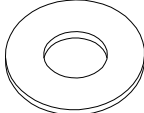
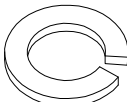
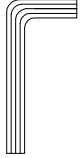
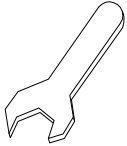
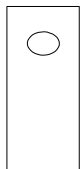
50'



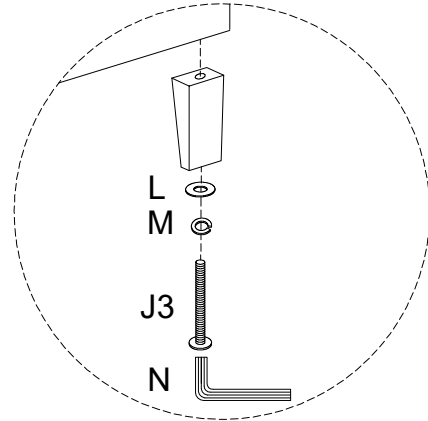
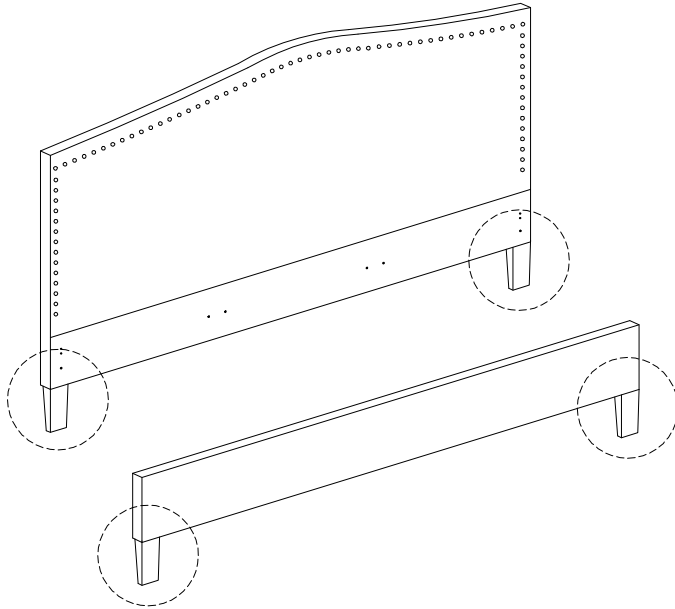
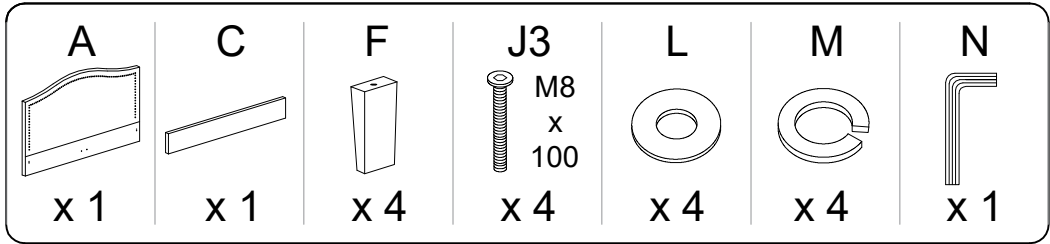
2

A 	B 	C 	D 	E 	F 
x 1	x 2	x 1	x 2	x 4	x 4

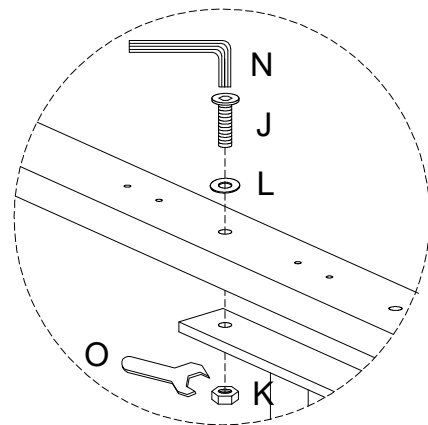
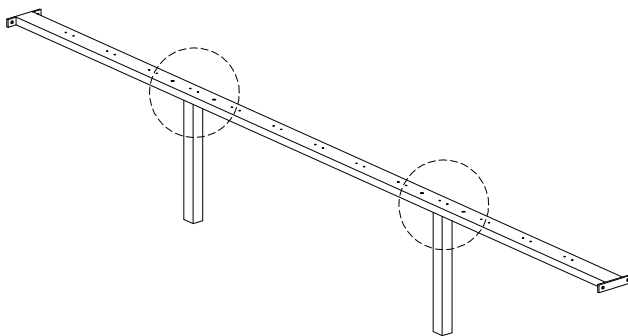
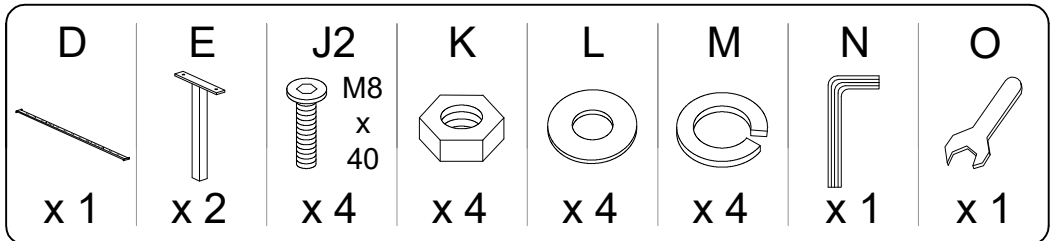


G 	H 	I 	J1  M8 x 30	J2  M8 x 40	J3  M8 x 100	J4  M8 x 20
x 42	x 28	x 28	x 8	x 16	x 4	x 2
J5  M8 x 40	K 	L 	M 	N 	O 	P 
x 4	x 8	x 30	x 30	x 1	x 1	x 2

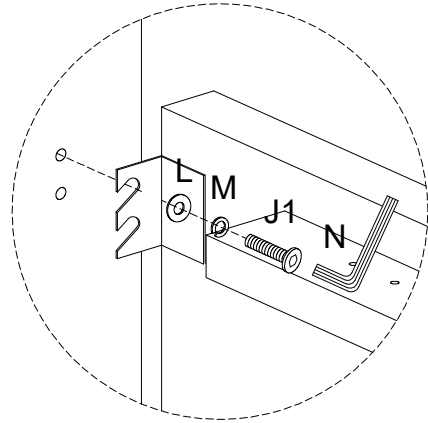
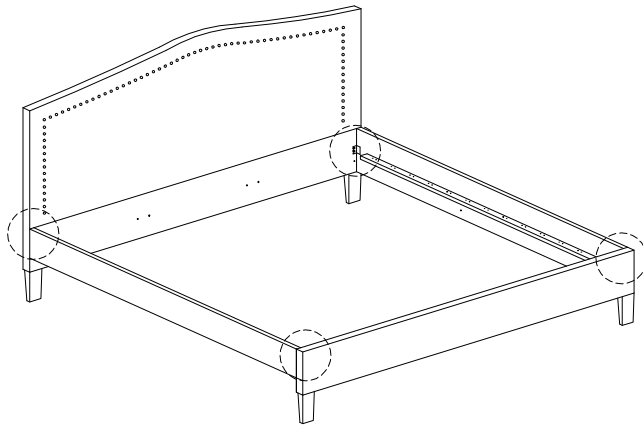
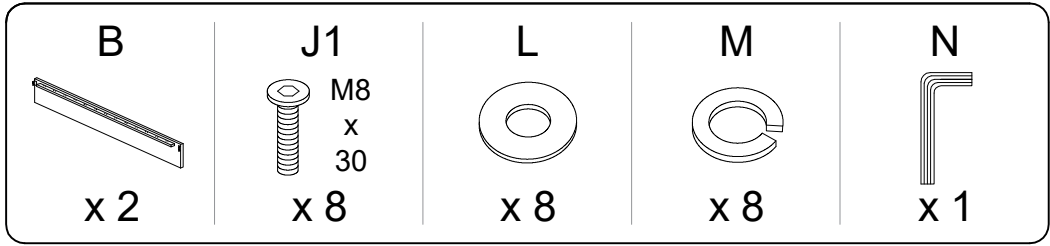
1



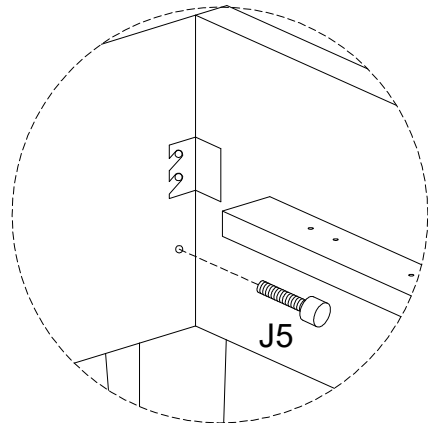
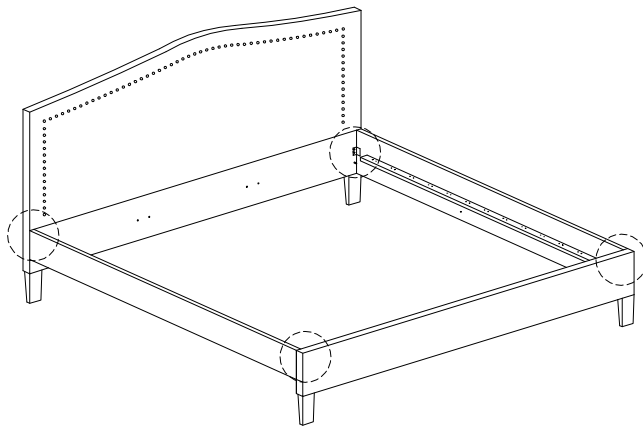
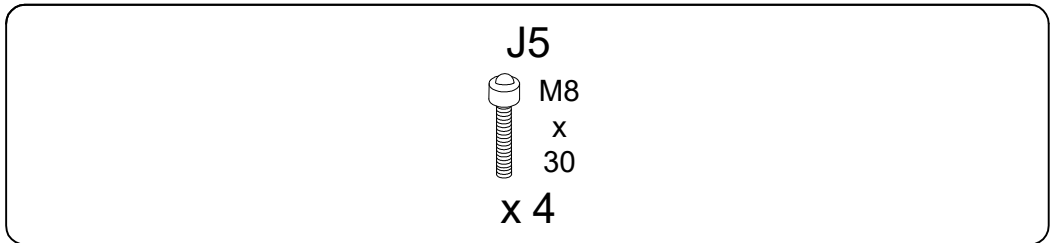
2 x 2



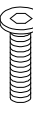
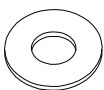



3

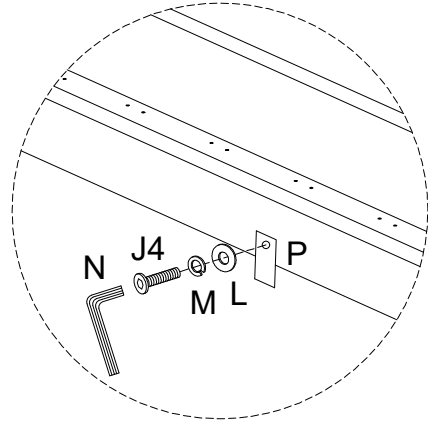
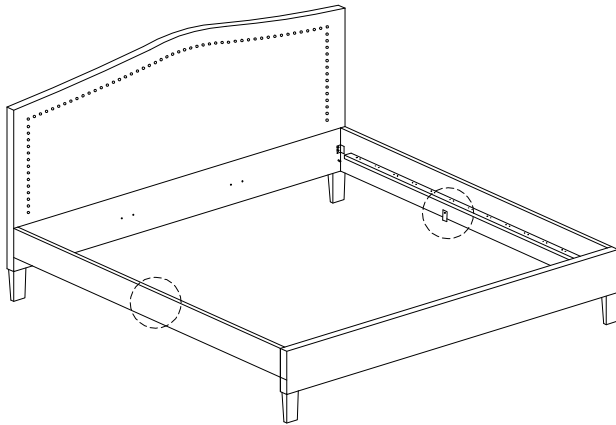


4

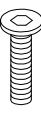
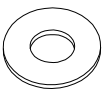
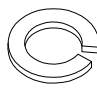
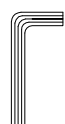


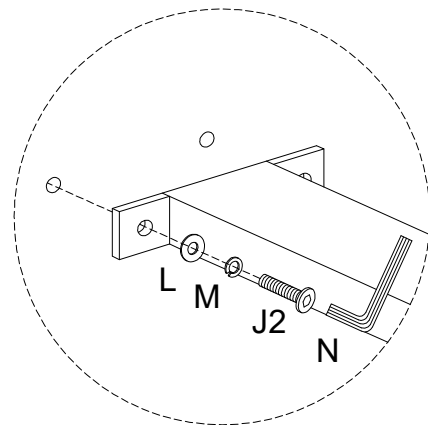
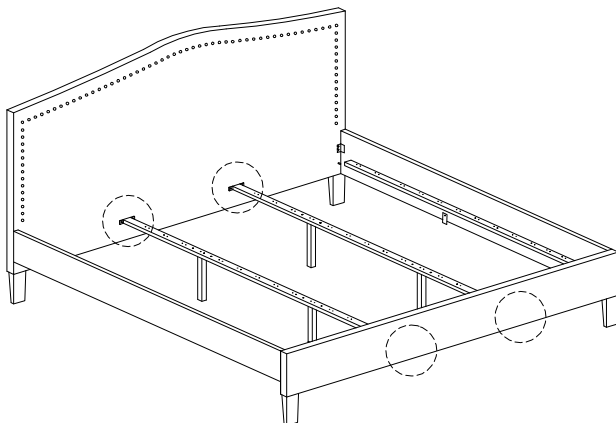
5

J4  M8 x 20 x 2	L  x 2	M  x 2	N  x 1	P  x 2
---	--	--	--	--

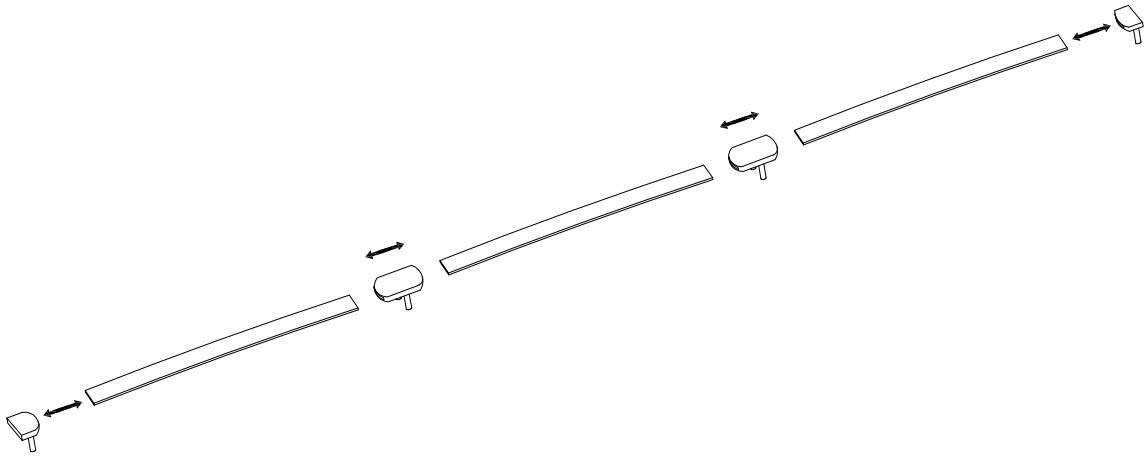
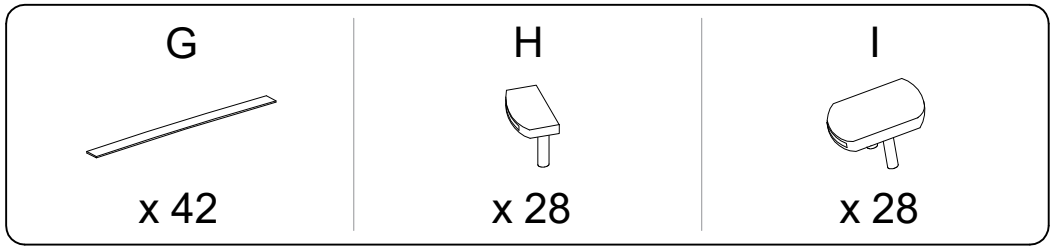


6 x 2

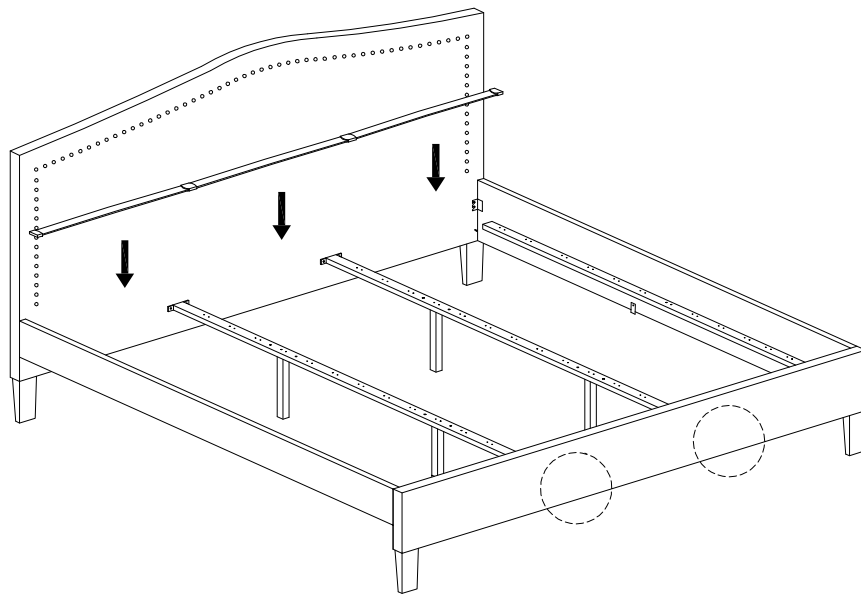
J2  M8 x 30 x 4	L  x 4	M  x 4	N  x 1
---	--	---	--



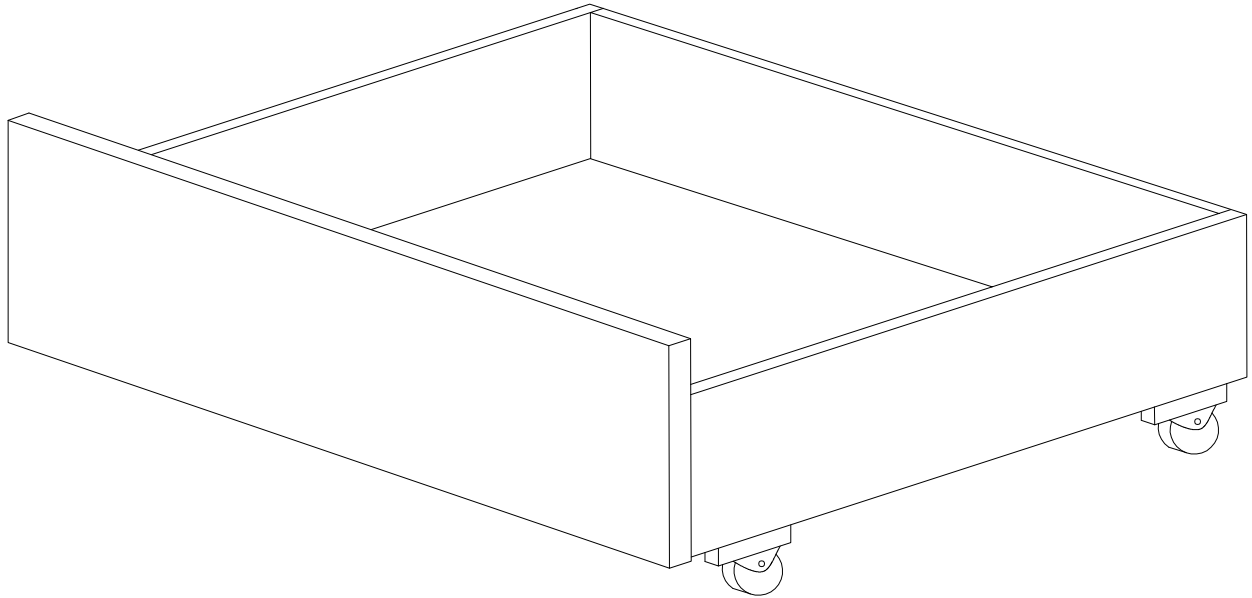
7

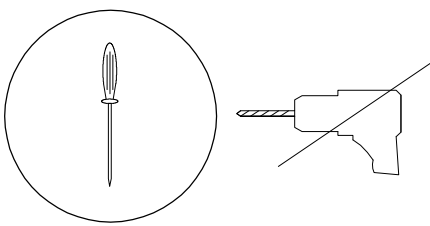

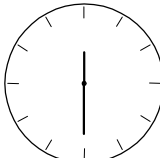
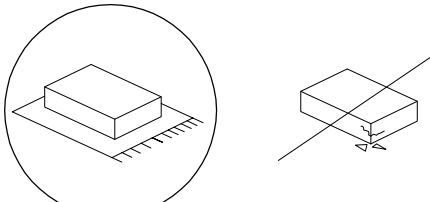
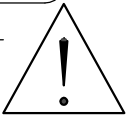



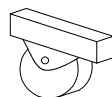
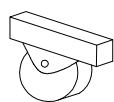
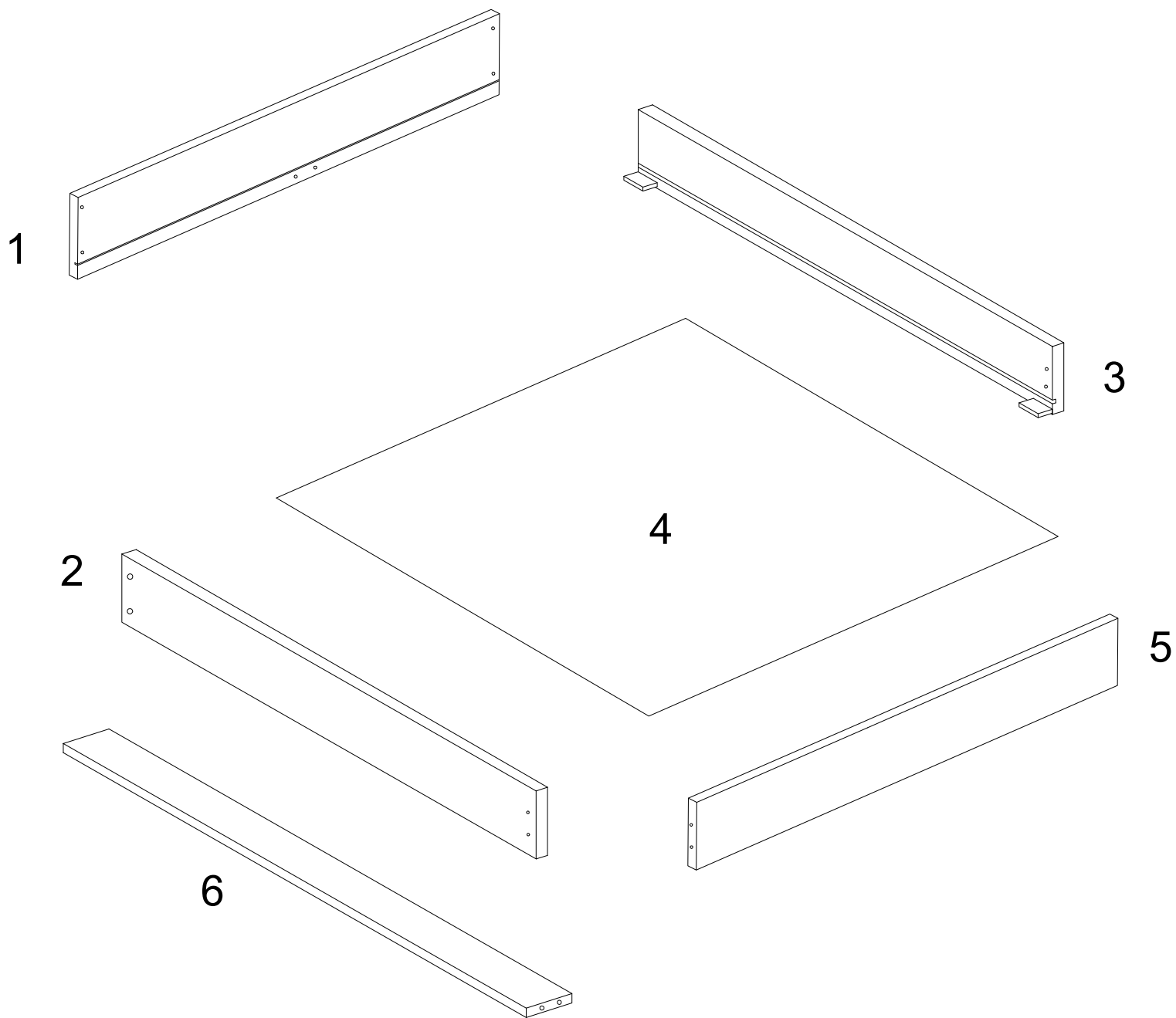
8



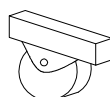
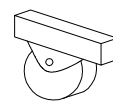
B x 4



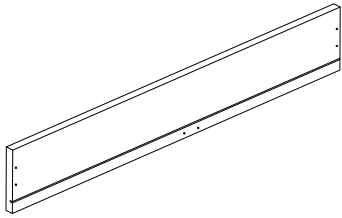
		
		<p>30'</p>
		
		<p>2</p>



B x 4

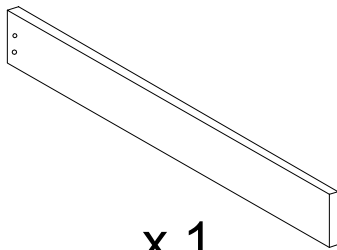


1



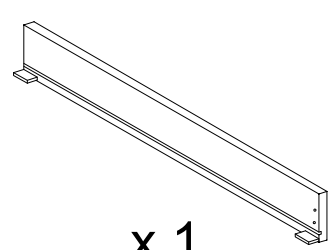
x 1

2



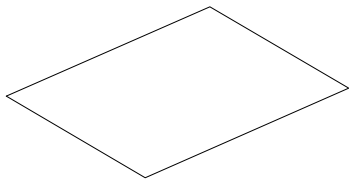
x 1

3



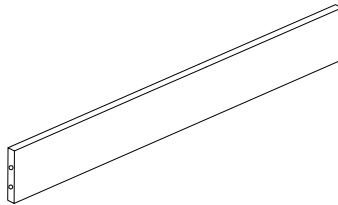
x 1

4



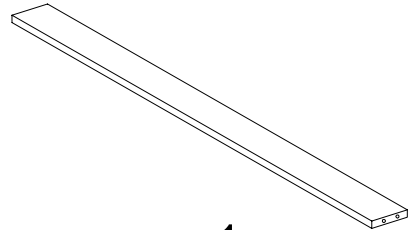
x 1

5



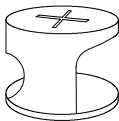
x 1

6



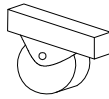
x 1

A



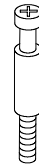
x 8

B



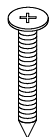
x 4

C



x 8

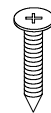
D



M4
x
30

x 4

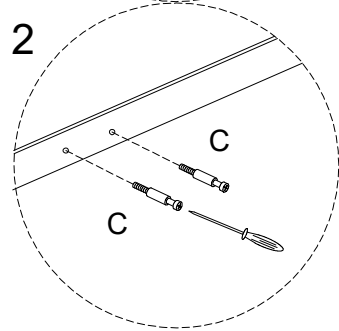
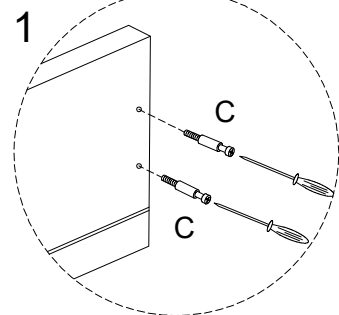
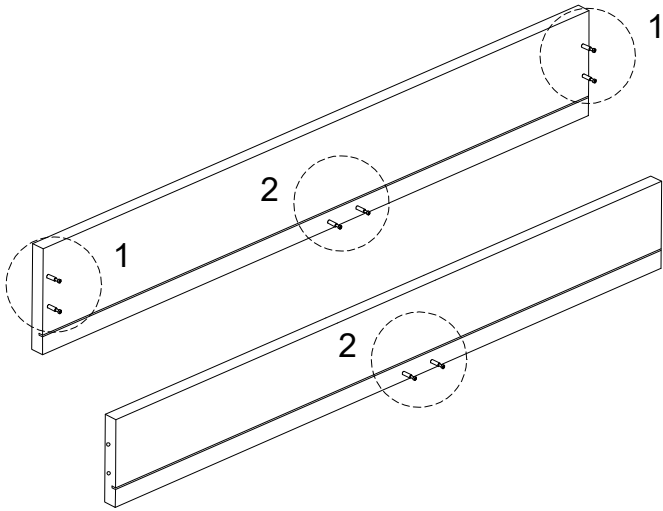
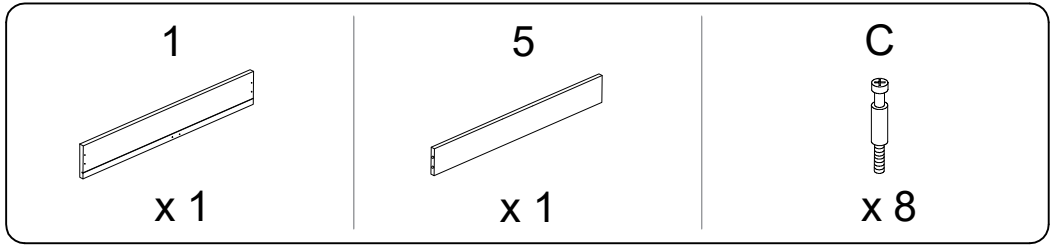
E



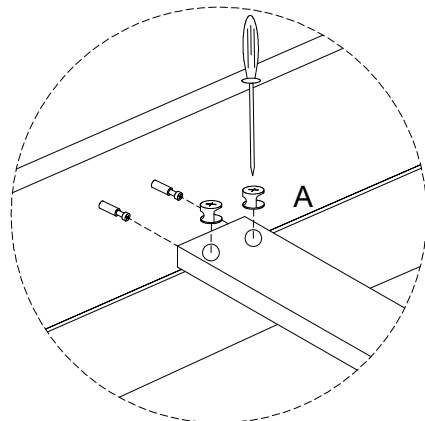
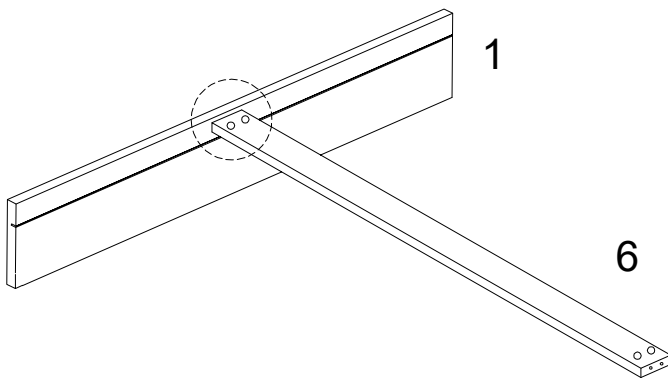
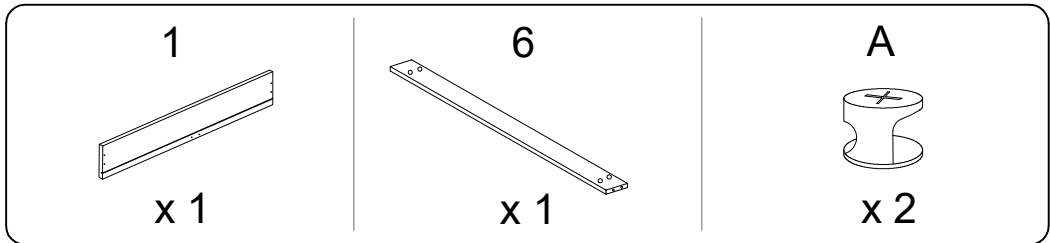
M4
x
15

x 16

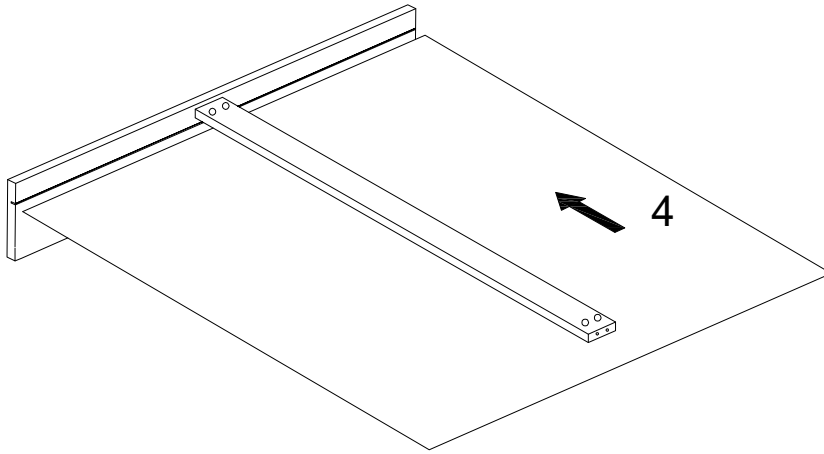
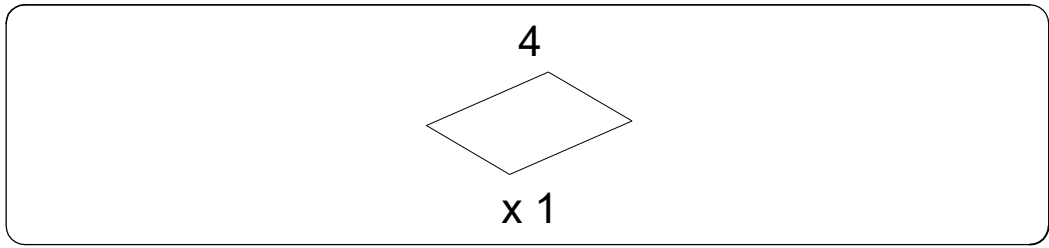
1



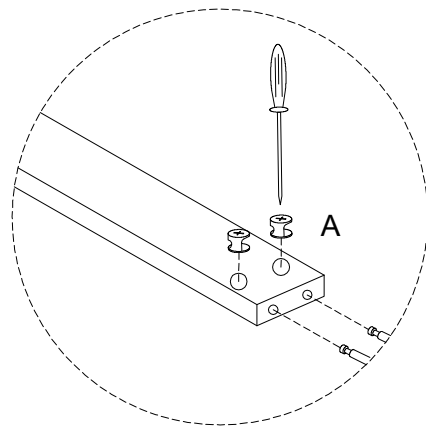
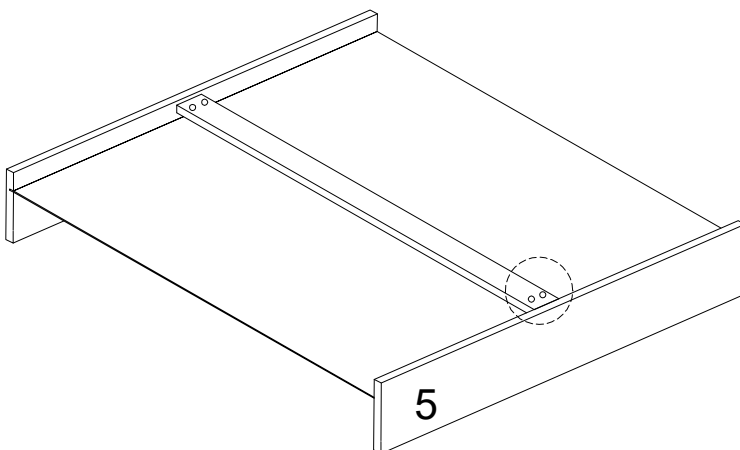
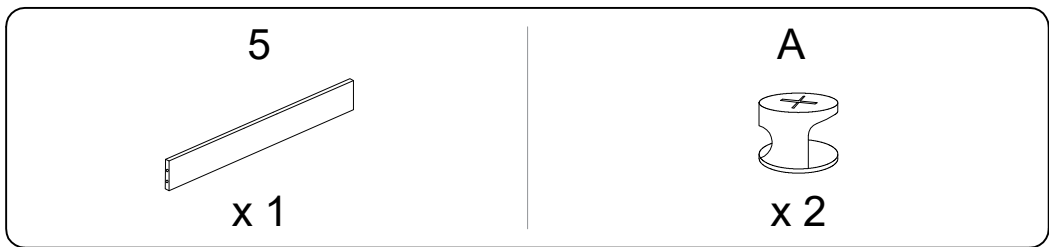
2



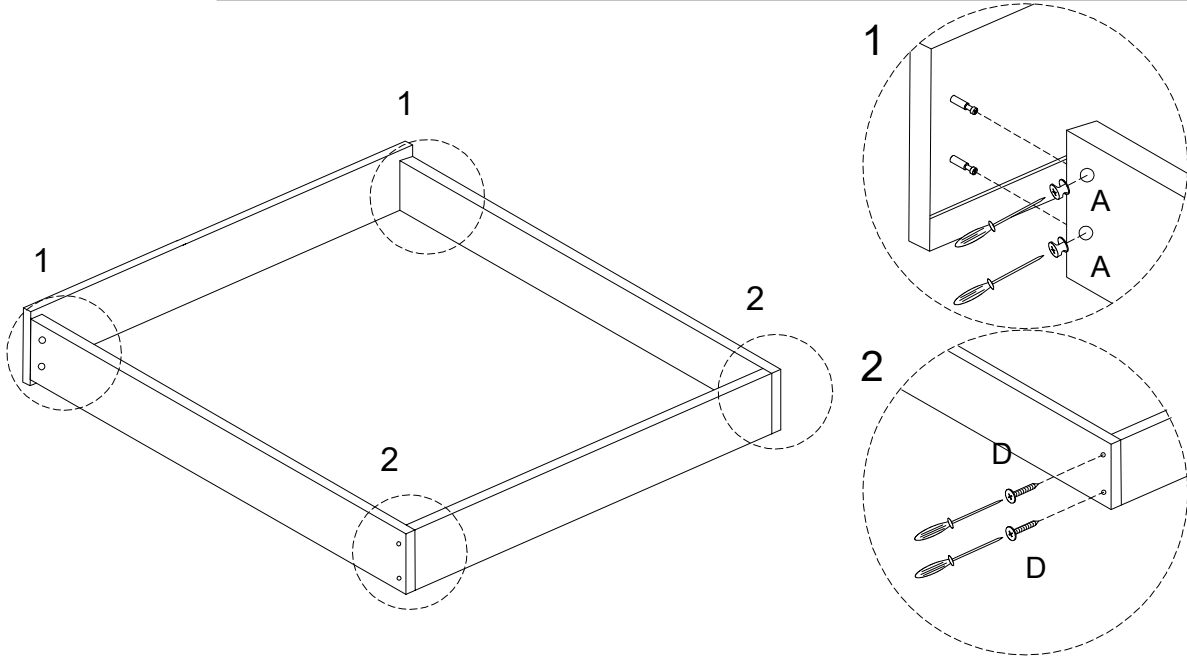
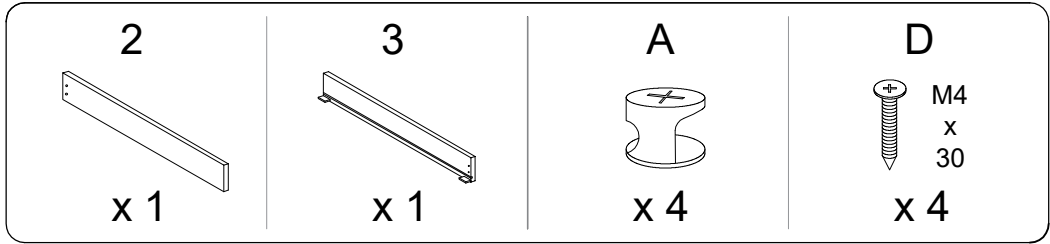
3



4



5



6

