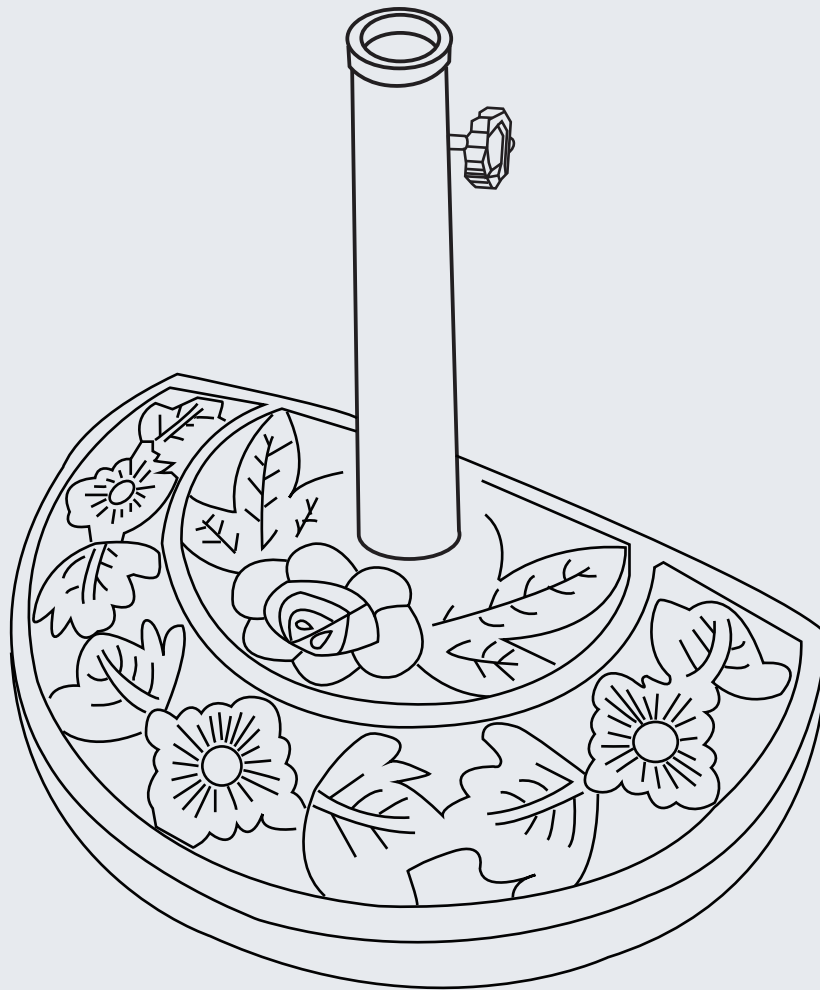


INSTRUCTION MANUAL



Sturdy Freestanding Resin
Umbrella Half Base

! CARE & MAINTENANCE

- Keep it stored when not in use.
- Do not allow umbrella to flap in the wind as it may cause damage.
- When adjusting the umbrella, make sure no person or item is close to the umbrella to avoid injury or damage.

TOOLS REQUIRED

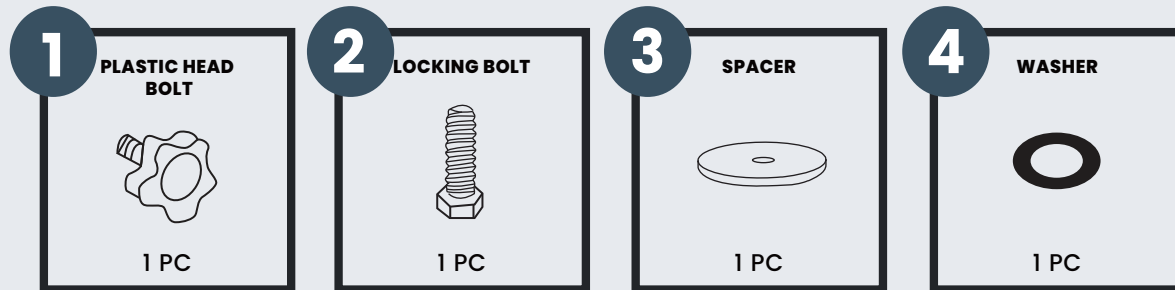


**1 PERSON
ASSEMBLY**

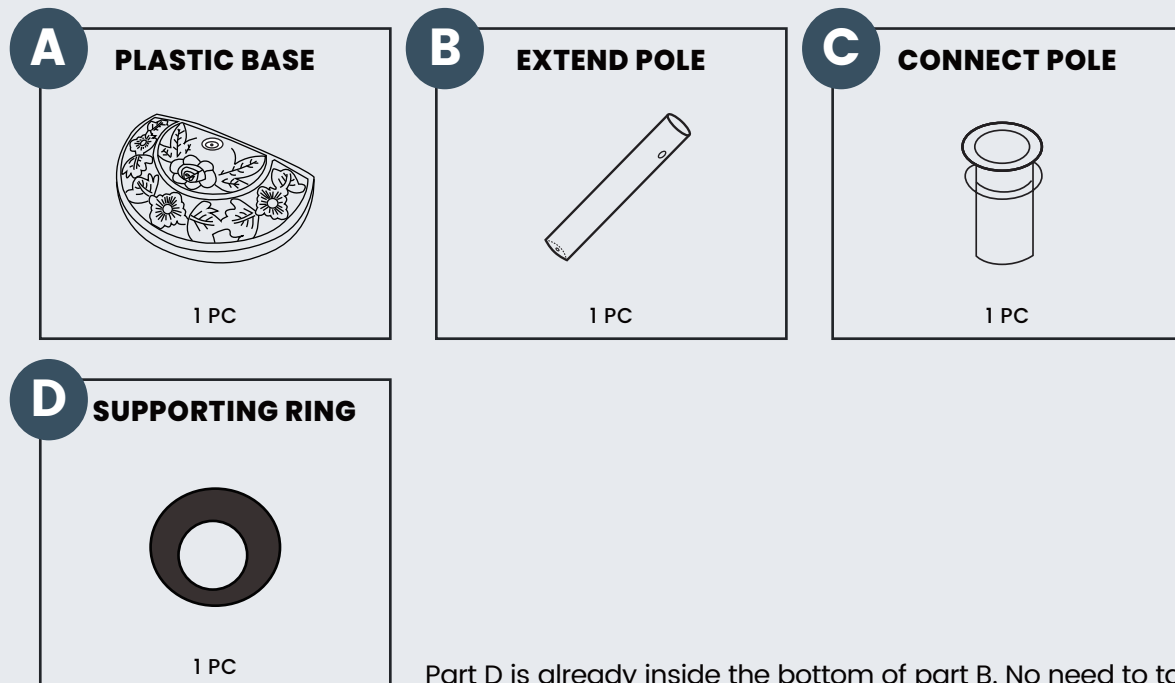


**UP TO 20 MIN.
ASSEMBLY**

HARDWARE



PARTS



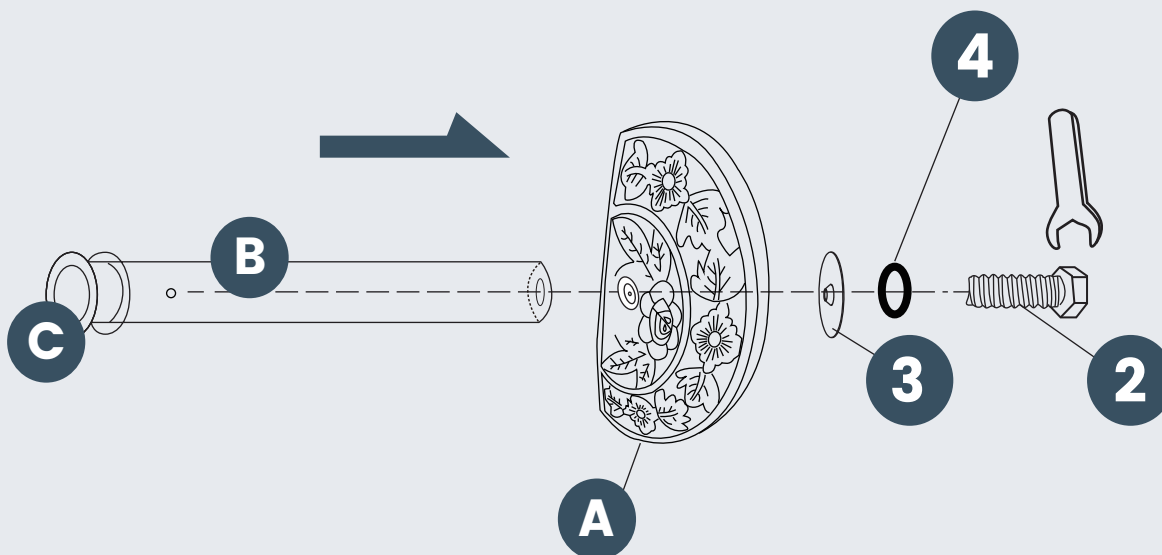
Part D is already inside the bottom of part B. No need to take out.

PRODUCT ASSEMBLY

1

Put **Part B Extend Pole** into **Part A Plastic Base**. Attach **Hardware #2 Locking Bolt**, **Hardware #3 Spacer** and **Hardware #4 Washer** to **Part B Extend Pole** as below.

Please note that Part C Connect Pole is already assembled onto the head of Part B Extend Pole.



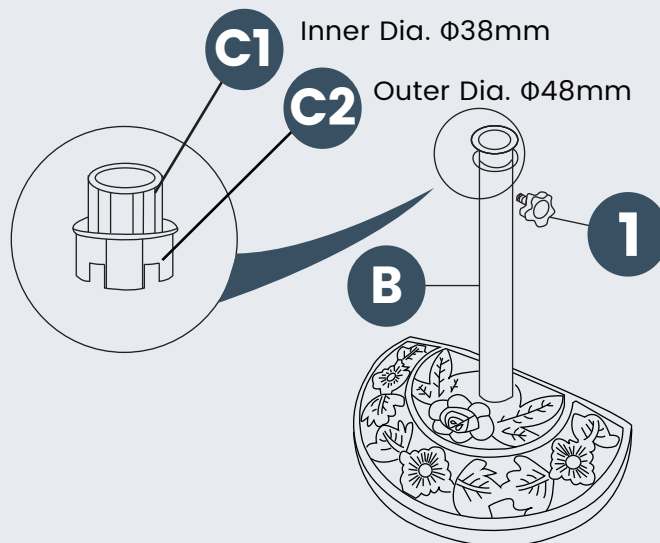
PRODUCT ASSEMBLY

2

Check the diameter of your umbrella pole and choose part C1/C2 in suitable size.

- Take out part C1 and leave part C2 when the diameter is 48mm;
- Keep both C1 and C2 when the diameter is 38mm.

Insert your umbrella pole into **Part B Extend Pole**. Attach **Hardware #1 Plastic Head Bolt** onto **Part B Extend Pole**, then tighten it to keep your umbrella stable.



CLEANING TIPS

REGULAR CLEAN: Use a mixture of warm water and mild soap. Gently scrub the surface with a soft bristle brush to remove any dirt or stains.

QUICK CLEAN: You can simply wipe down the furniture with a damp cloth.

Regular cleaning not only preserves the aesthetic appeal of your furniture, but also helps extend its lifespan.