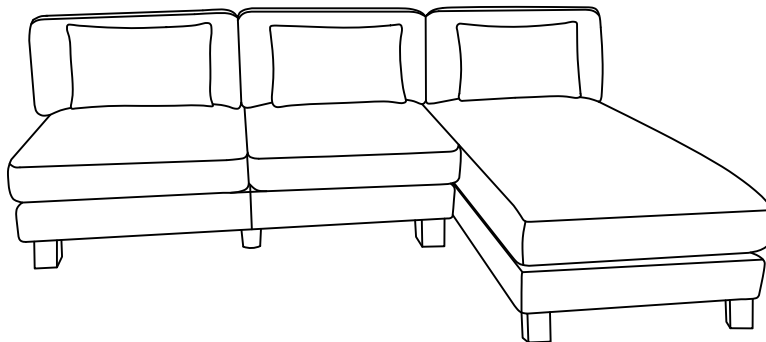
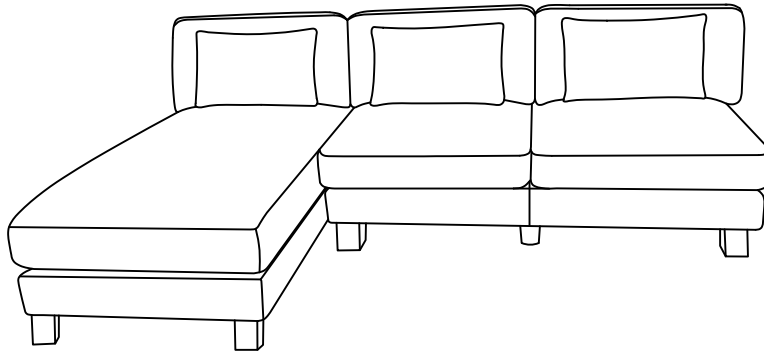


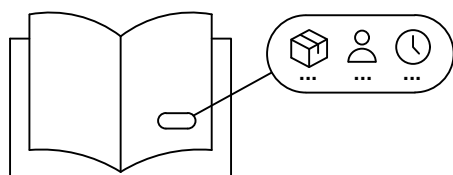
USER MANUAL



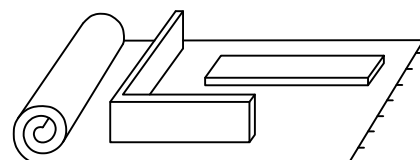
Warning Tips:

- 1.The sofa will arrive in two separate parcels due to its size, which may be delivered at different times. Please wait until both have arrived before assembly.
- 2.Review the installation instructions and check that all installation parts are complete.
- 3.Identify the parts (armrests) that need to be differentiated between left and right.
- 4.Tap the backrest and place it in the sunlight to fluff it up quickly, it takes about 48 hours for the backrest to fluff up.
- 5.Do not stand or jump on the parts of the sofa to avoid damage.
- 6.To ensure that the sofa does not get dirty, please make sure that the floor is clean enough before the installation begins.

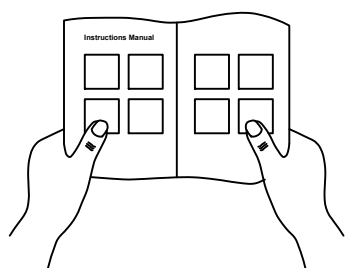
Before you start...



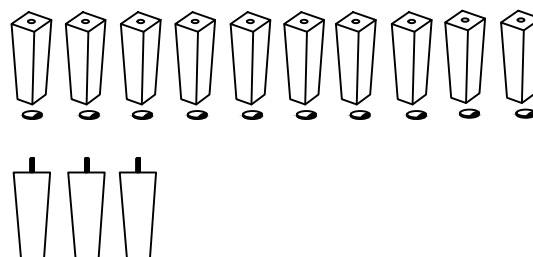
Ensure you have received all cartons and familiarize yourself with the workload. Make sure if you need someone to assist you, and that you have allocated the time required to assemble your new product.



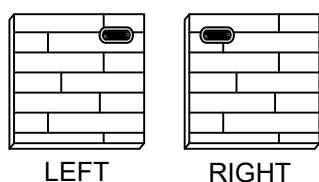
Please ensure that you leave enough space in your home for assembly. We recommend that you place cushions or cardboard on the floor to protect the floor and to ensure that the sofa does not get stained.



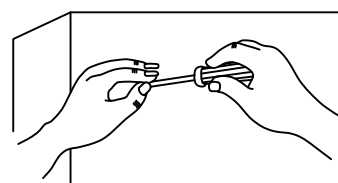
Read instructions carefully and check no parts are missing.



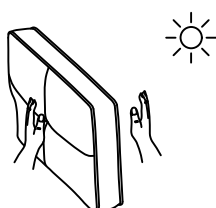
Lay out all hardware on a soft surface so you can easily identify them.



Carefully identify all components in order to differentiate which pieces are left and right.



Install your new product carefully following the instructions. Don't skip ahead!



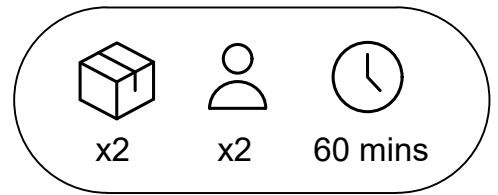
Tap the backrest and place it in the sunlight to fluff it up quickly, it takes about 48 hours for the backrest to fluff up.

Pay attention: Because of the compressed packaging, there may be some creases on the cover. Please do not worry, pat it several times and wait for moments, the crease will be more natural and will not affect the use.



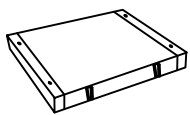
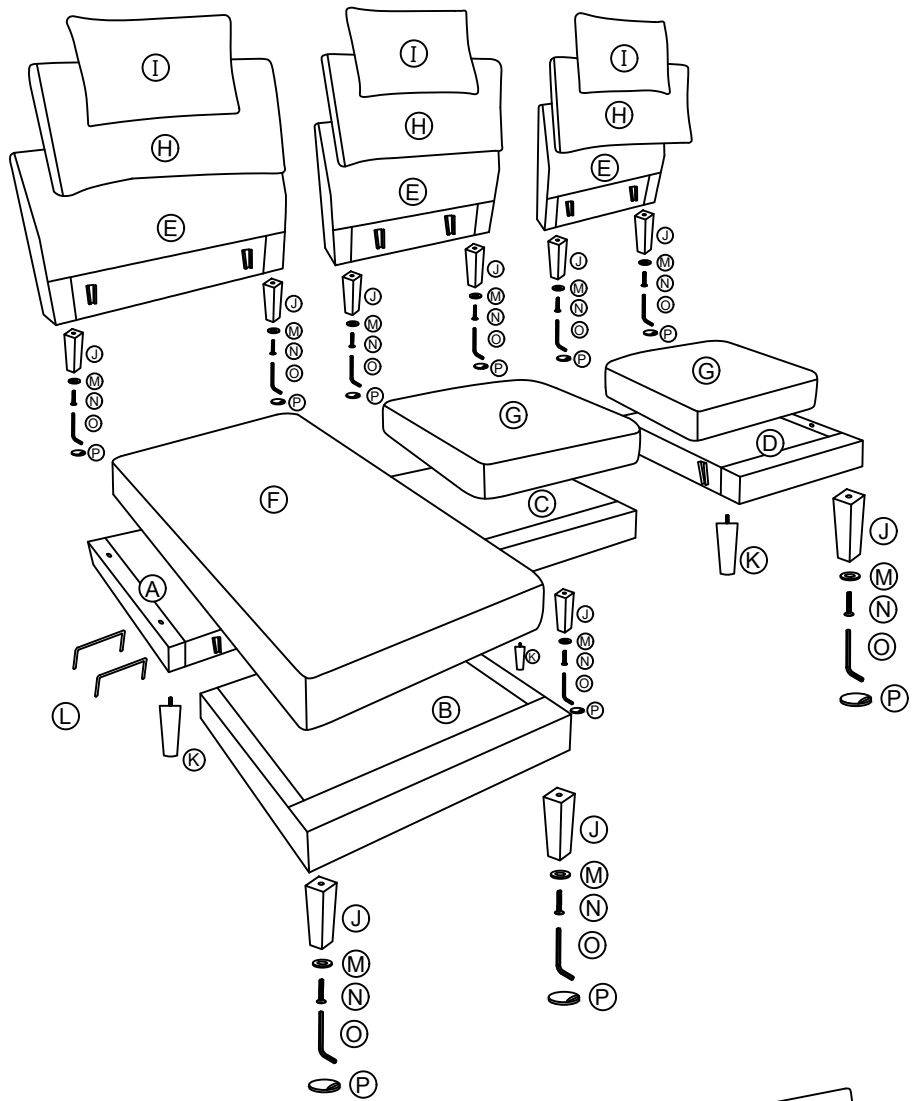
Do not stand or jump on the parts of the sofa to avoid damage.

Product Diagram



Parts

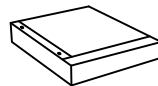
- A. Pedestal (left)
- B. Pedestal (chaise)
- C. Pedestal (middle)
- D. Pedestal (right)
- E. Backrest
- F. Cushion (chaise)
- G. Cushion (seat)
- H. Cushion (back)
- I. Pillows
- J. Sofa legs
- K. Sofa legs
- L. U-shaped pendant
- M. Metal plate
- N. Screws
- O. Allen key
- P. Non-slip mats



A*1



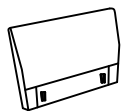
B*1



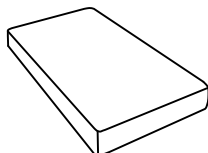
C*1



D*1



E*3



F*1



G*2



H*3



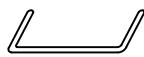
I*3



J*10



K*3



L*2



M*10



N*10



O*1



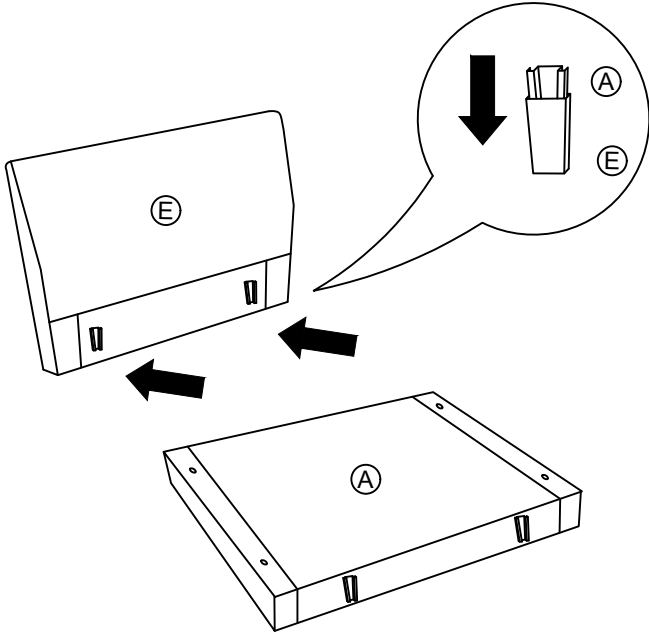
P*10

Installation Steps

STEP 1:

Install the pedestal (A) to the backrest.

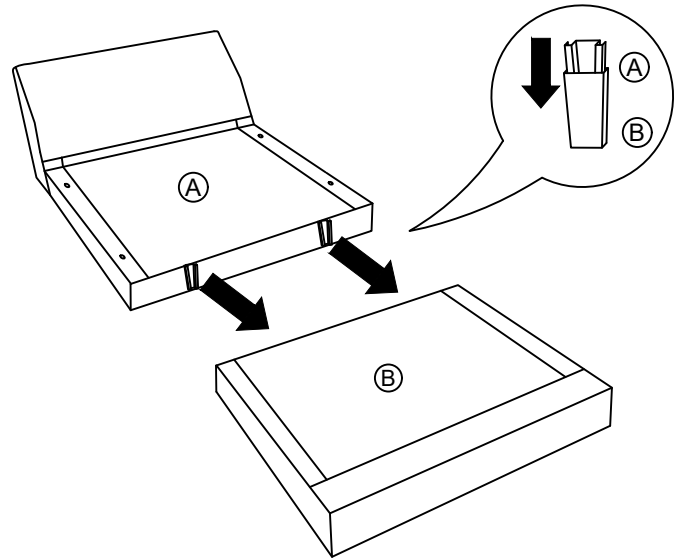
Note: Place the orbit on the pedestal to the connector on the backrest, and you can slide from top to decline.



STEP 2:

Install the pedestal (A&B) together.

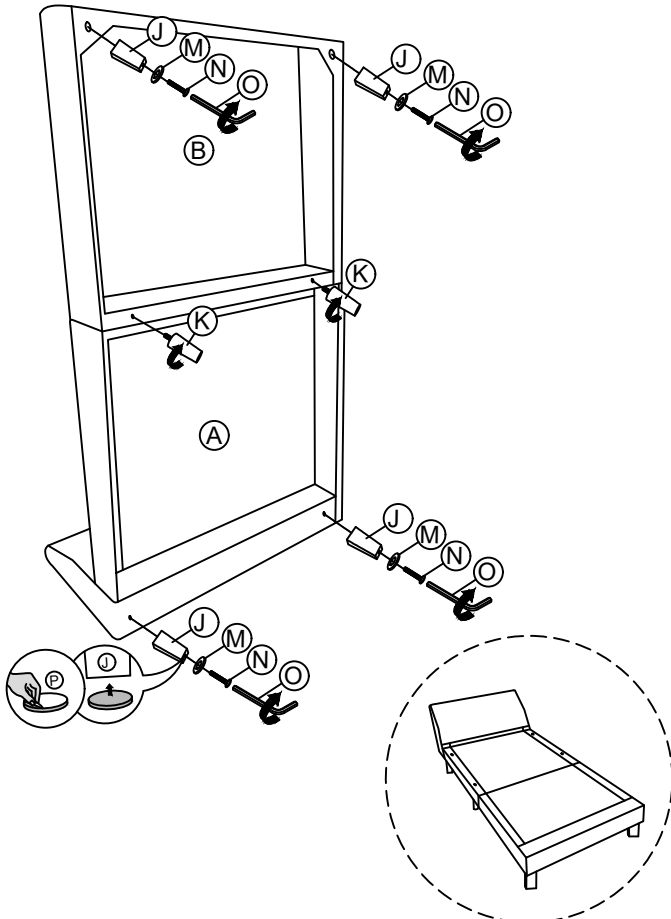
Note: Place the orbit on the pedestal (A) to the connector on the pedestal (B), and you can slide from top to decline.



STEP 3:

Install the sofa legs (J&K) to the pedestal (A&B).

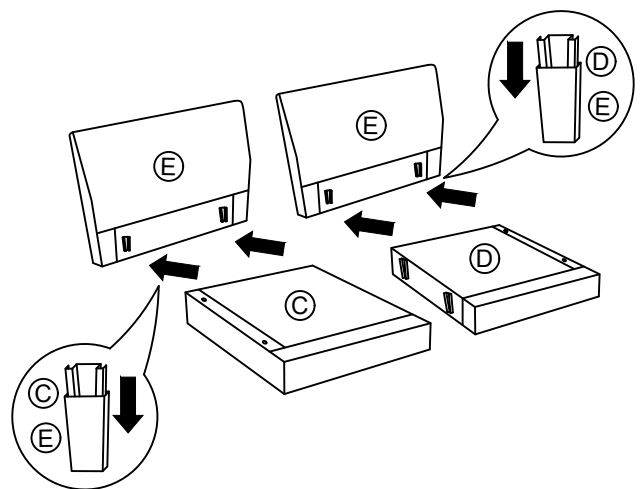
Note: Place the non-slip mats to the bottom of sofa legs (J), and the sofa legs are installed.



STEP 4:

Install the pedestal (C&D) to the backrest.

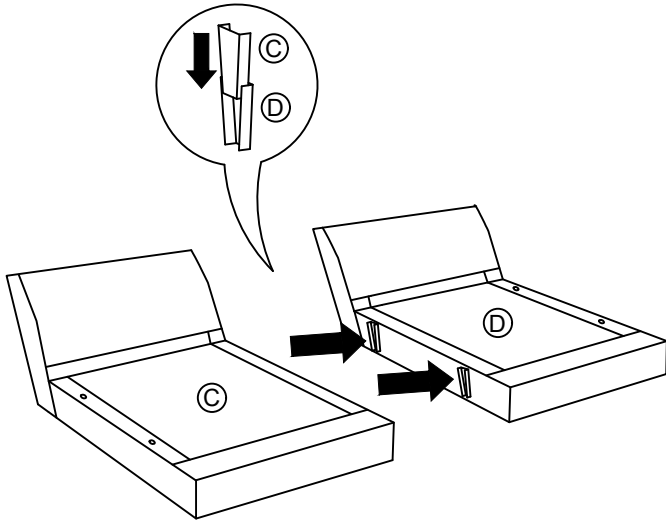
Note: Place the orbit on the pedestal to the connector on the backrest, and you can slide from top to decline.



STEP 5:

Install the pedestal (C&D) together.

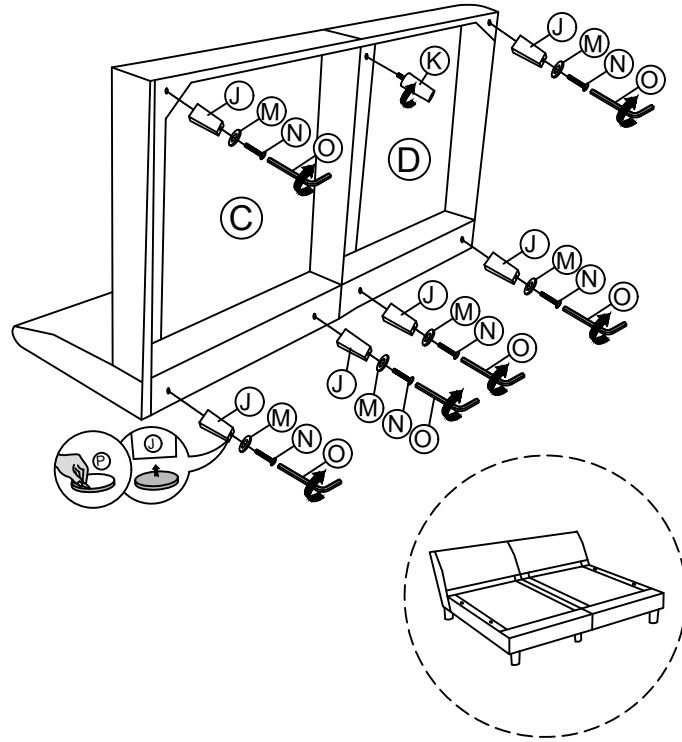
Note: Place the orbit on the pedestal (C) to the connector on the pedestal (D), and you can slide from top to decline.



STEP 6:

Install the sofa legs (J&K) to the pedestal (C&D).

Note: Place the non-slip mats to the bottom of sofa legs (J), and the sofa legs are installed.



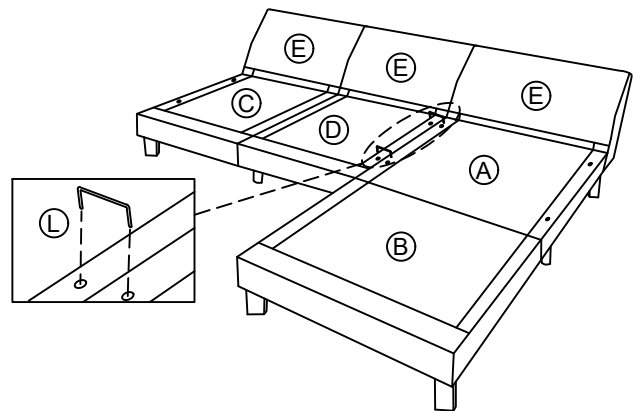
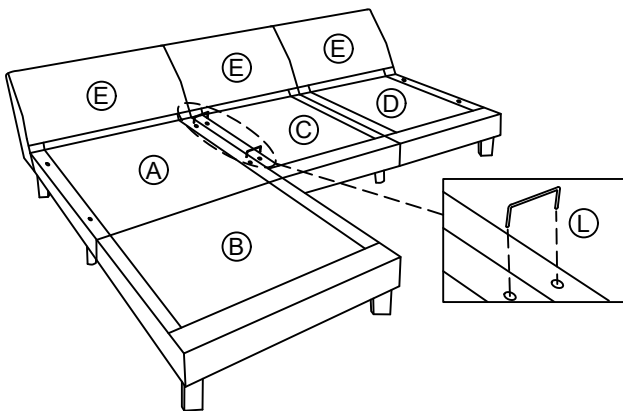
STEP 7:

Note: there are two options on this step.

Option 1: Install the pedestal (A&C) together. Then the chaise will be on the left.

Option 2: Install the pedestal (A&D) together. Then the chaise will be on the right.

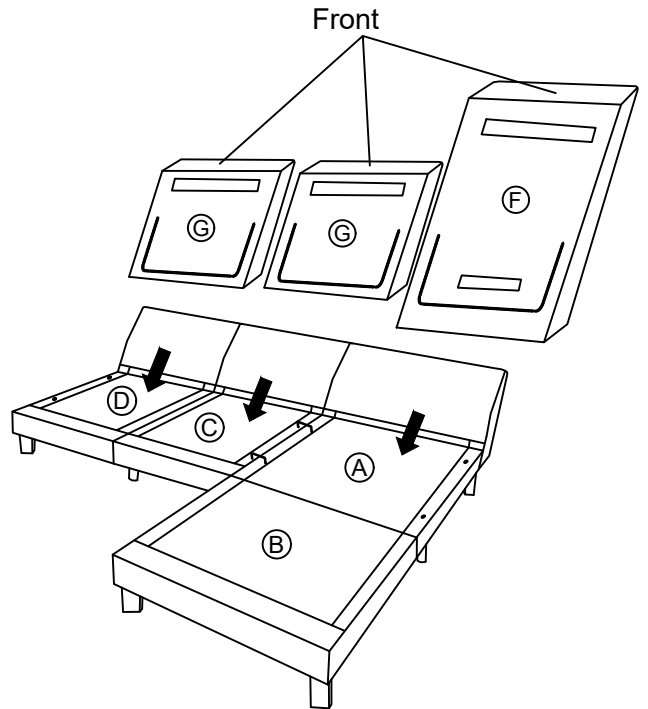
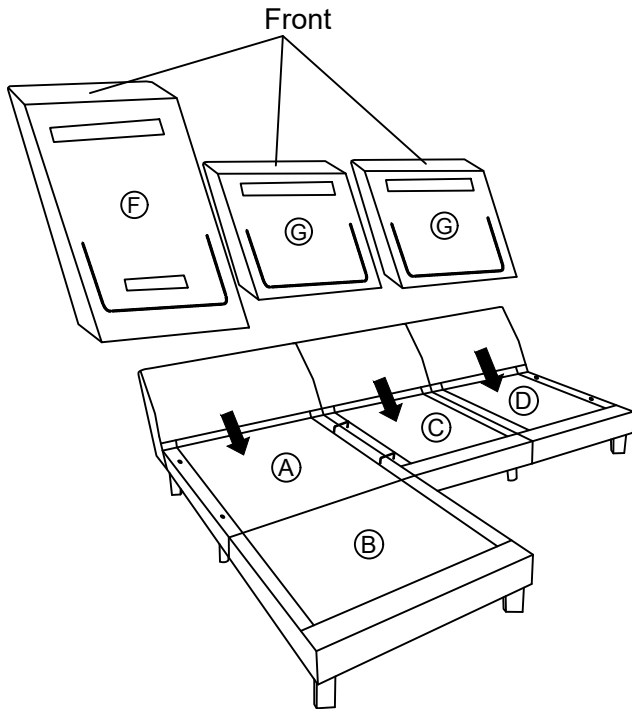
Please use U-shaped pendant (L) to connect with pedestal together.



STEP 8:

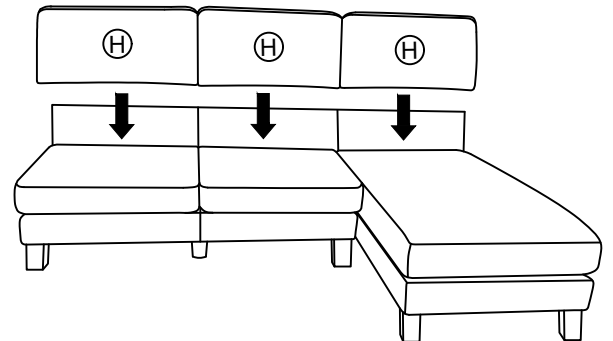
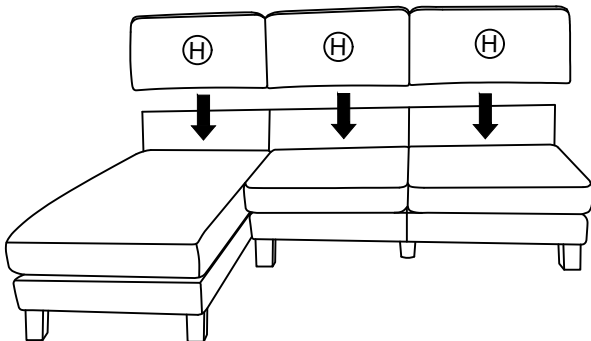
Put the cushion (F&G) on the pedestal.

Note: Please kindly remove the cover tape from the velcro before placing the cushion on top.



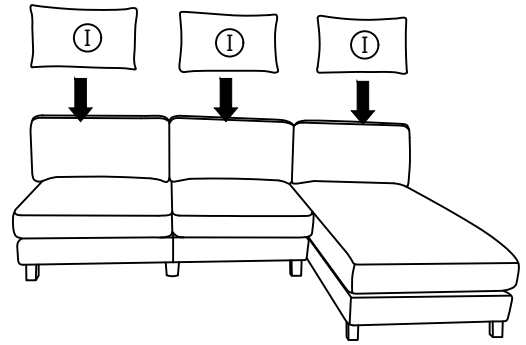
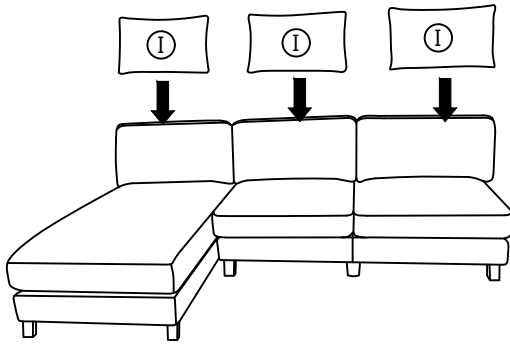
STEP 9:

Place the fluffy cushion (H) on the backrest.



STEP 10:

Place the pillows on the sofa and decorate your sofa.

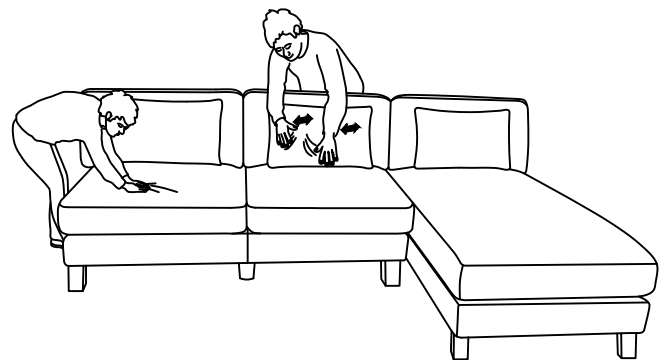
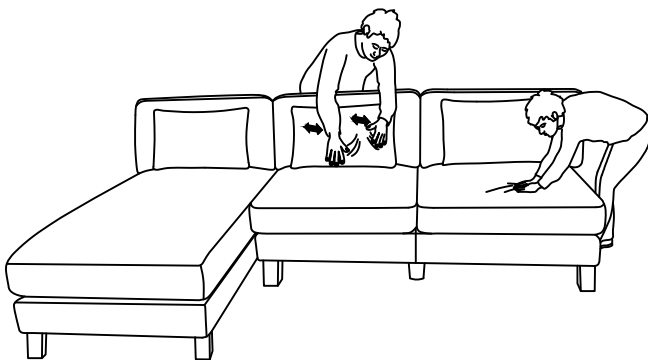


STEP 11:

Your sofa may require dressing on delivery.

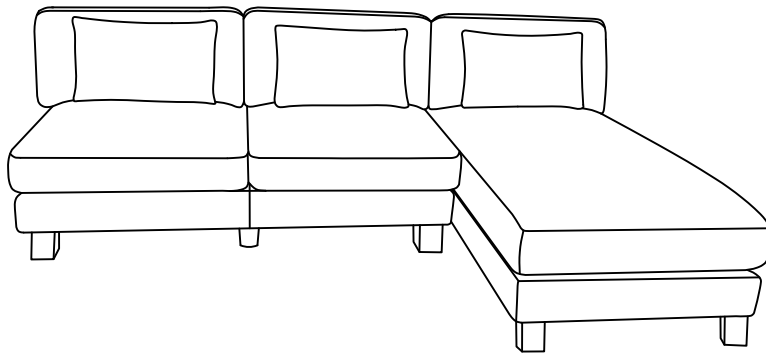
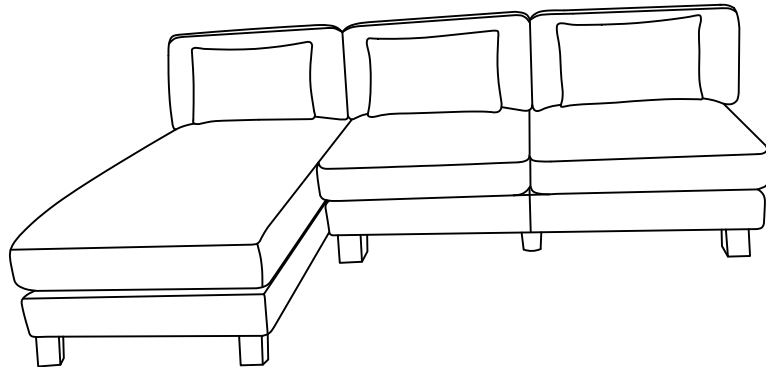
Before using, please reshape the cushions to restore to its original beauty.

Note: Because of the compressed package, it will need take 48 hours to completely recovery.

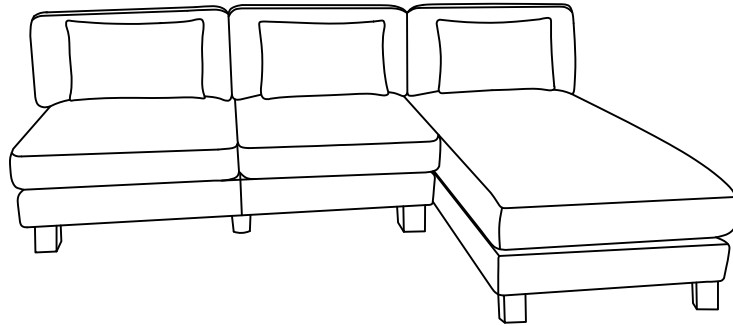


STEP 12:

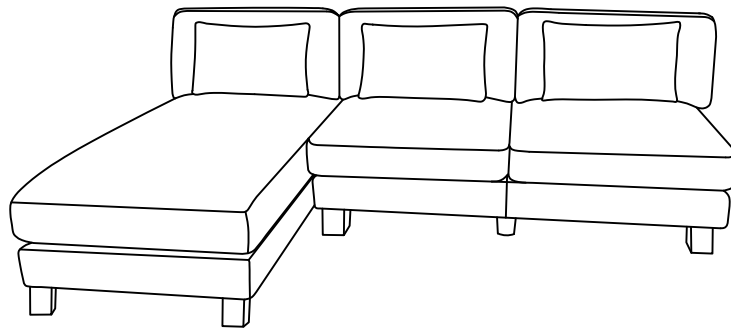
The sofa has been installed, and you can start enjoying your leisure time.



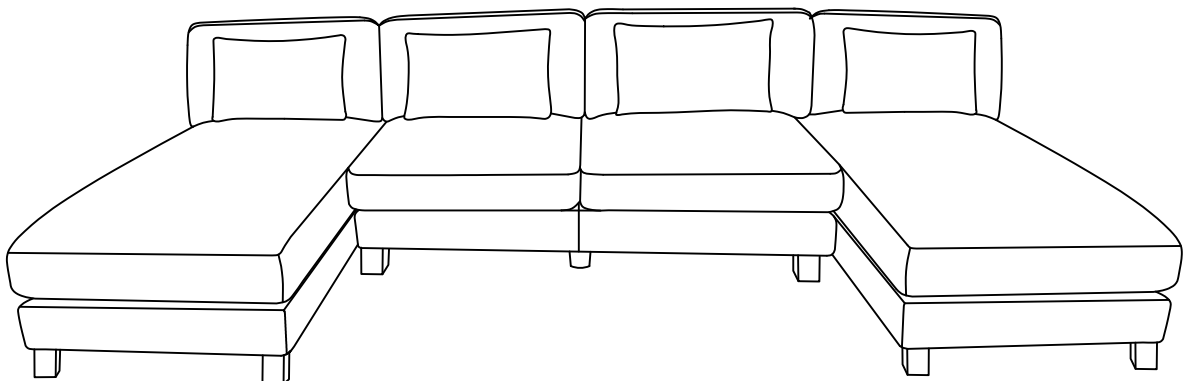
Product Catalog



Option 1



Option 2



Option 3

Welcome to buy this series of products