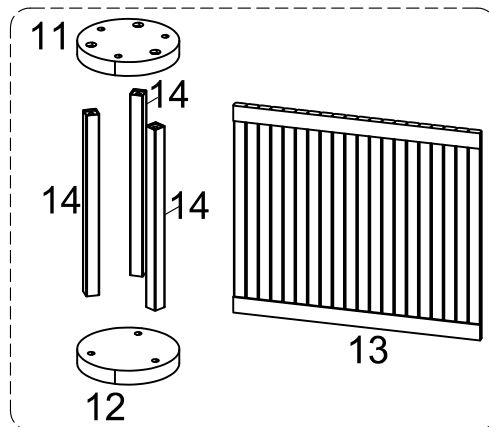
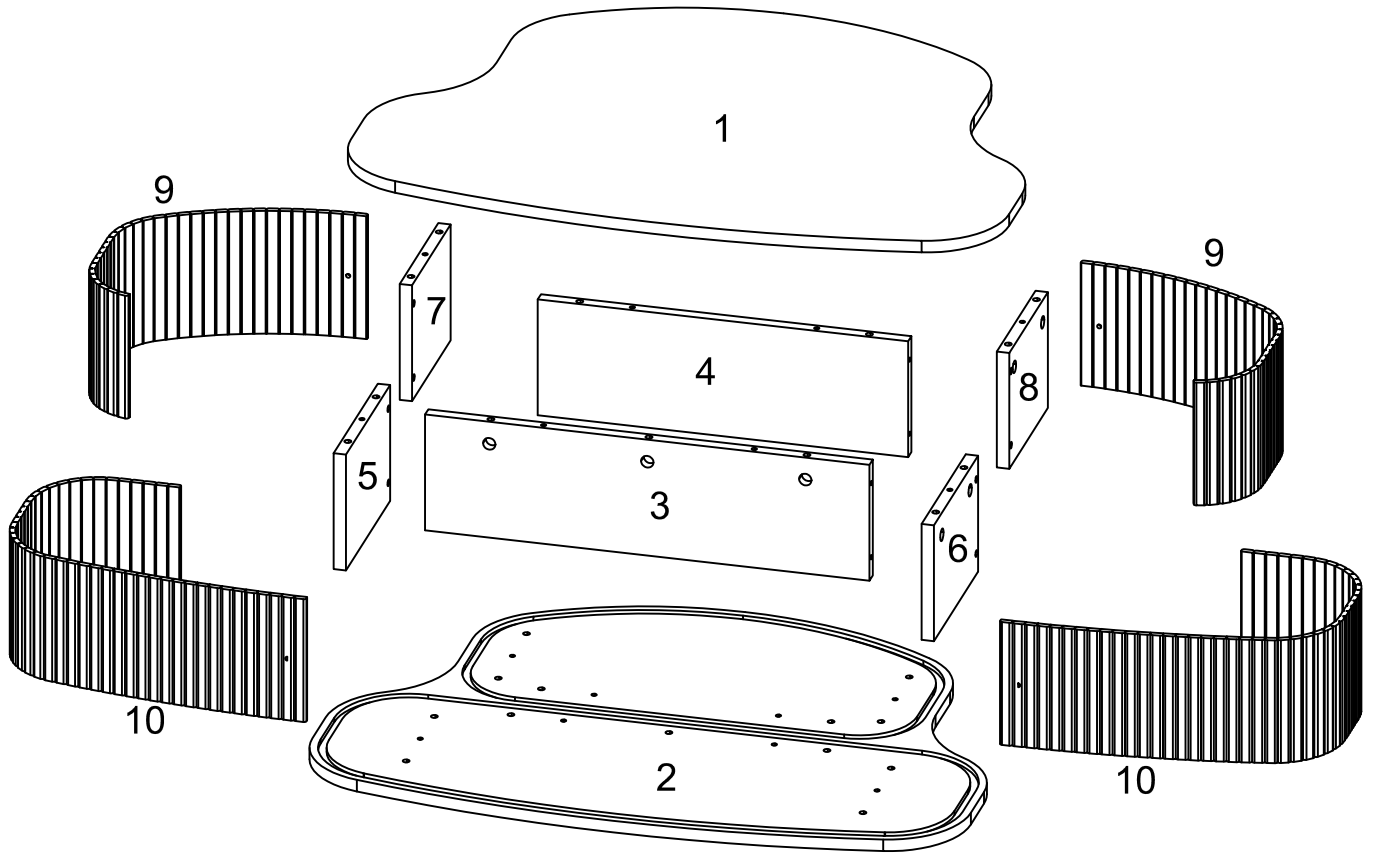


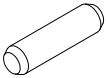








EXPLODED DRAWING

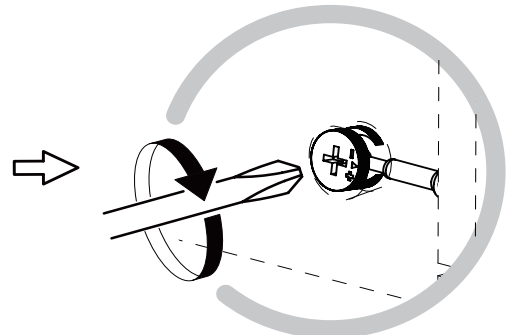
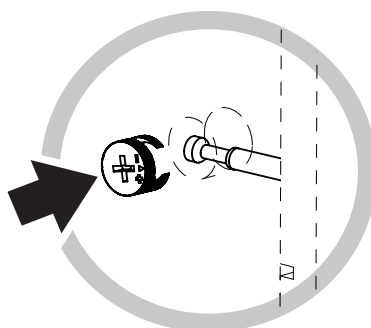
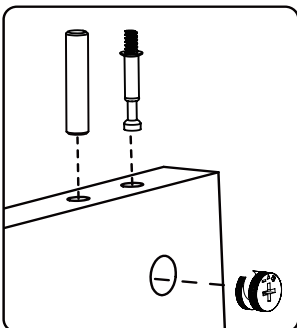


×3

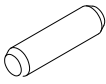
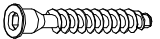

PARTS

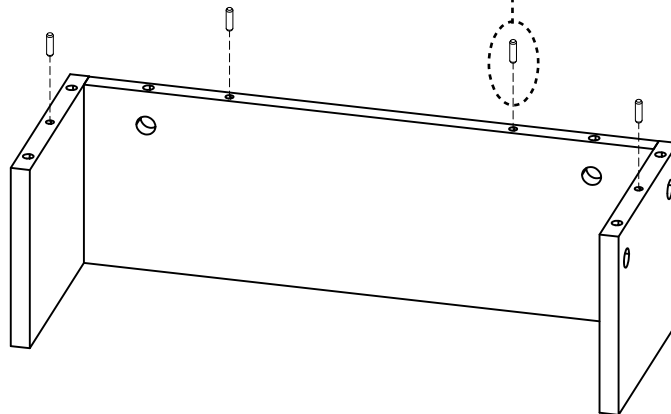
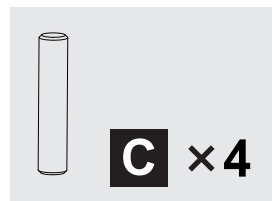
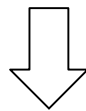
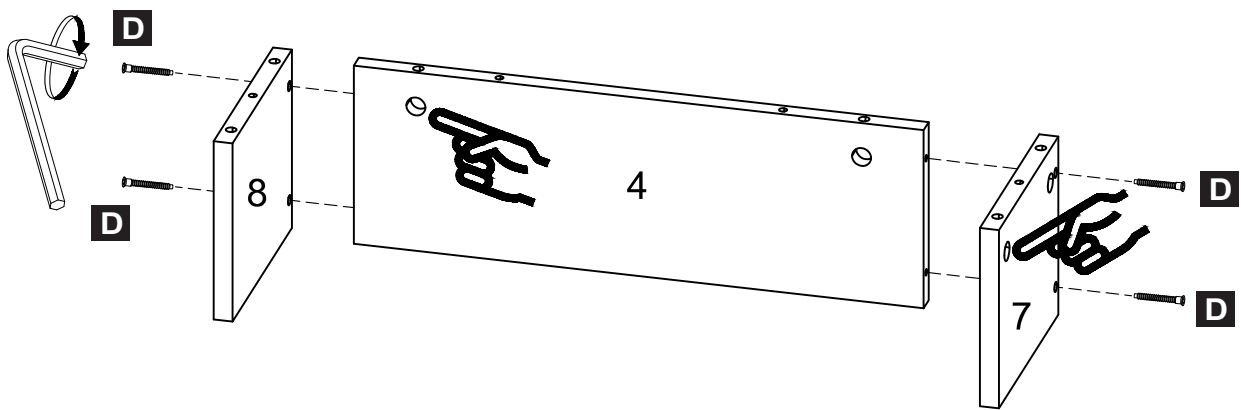
 A ×13	 B ×13 Ø15×12	 C ×16 Ø6×30	 D ×21 M7×50
 E ×4	 F ×4 M4×12	 G ×27 M6×28	 H ×3 M6×Ø30×15
 J ×1 M4			

MINIFIX POSITION



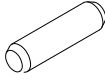


1

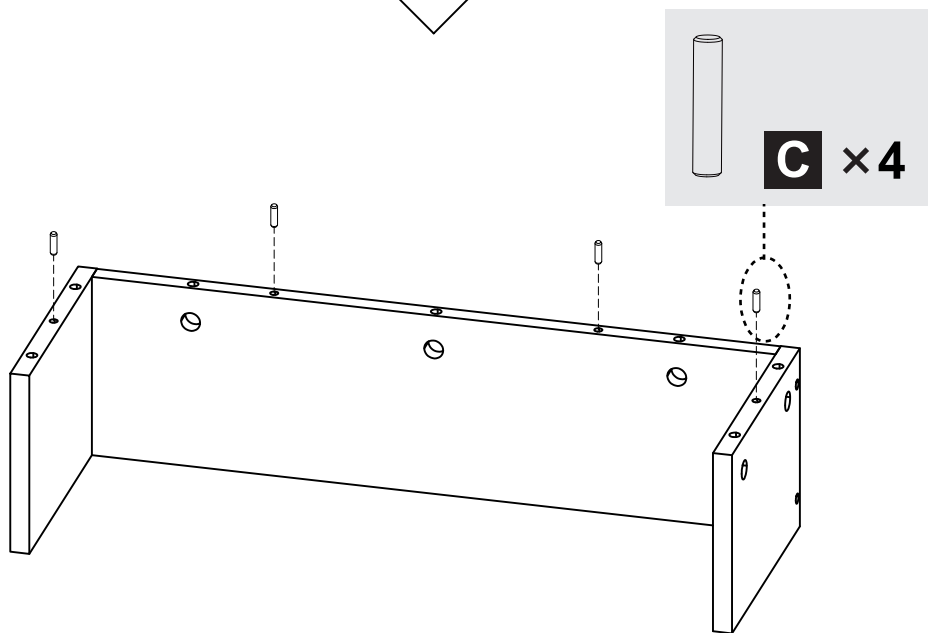
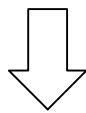
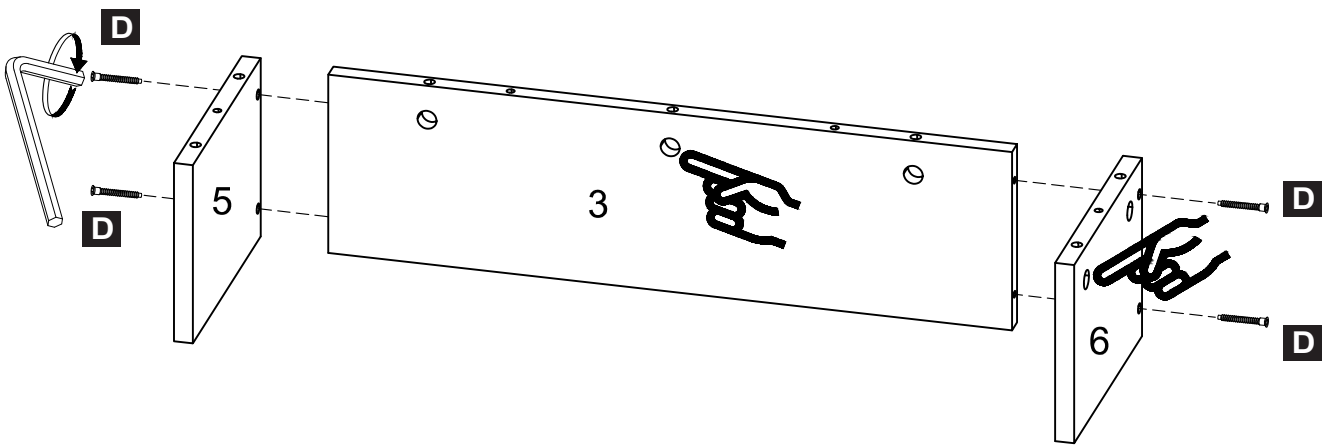
	C × 4		D × 4
	M6×30		M7×50
			J × 1
			M4



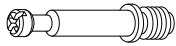

3

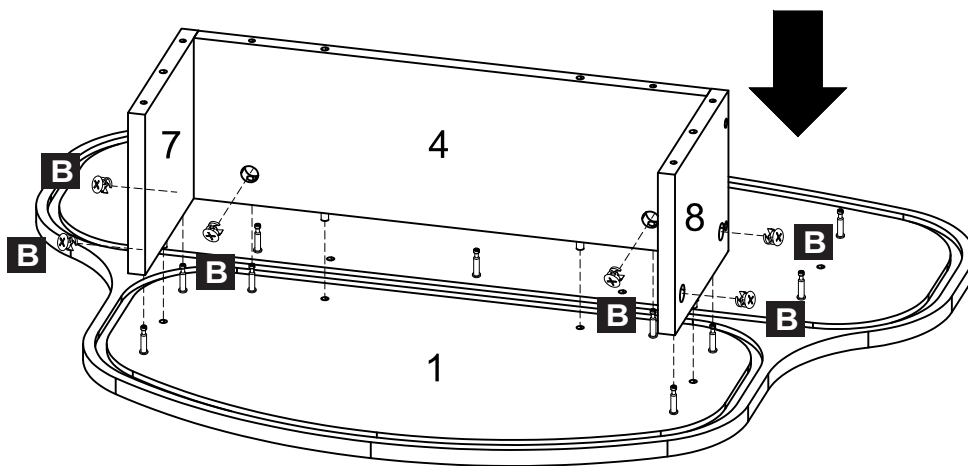
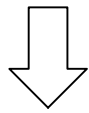
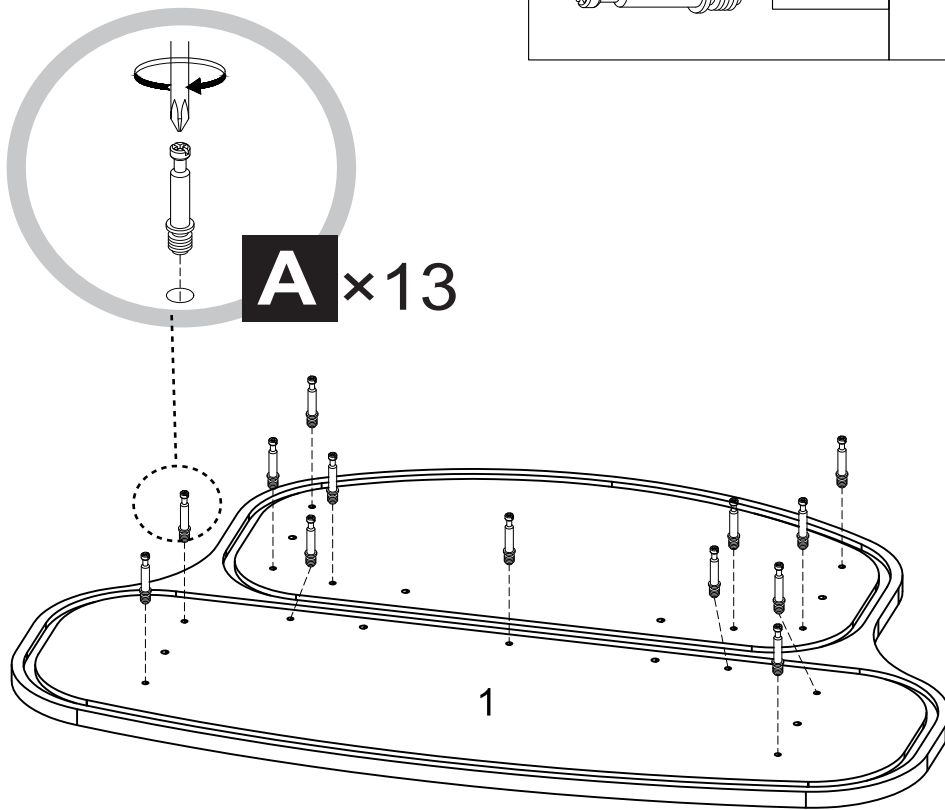
2

	C ×4		D ×4
	M6×30		M7×50
			J ×1
			M4

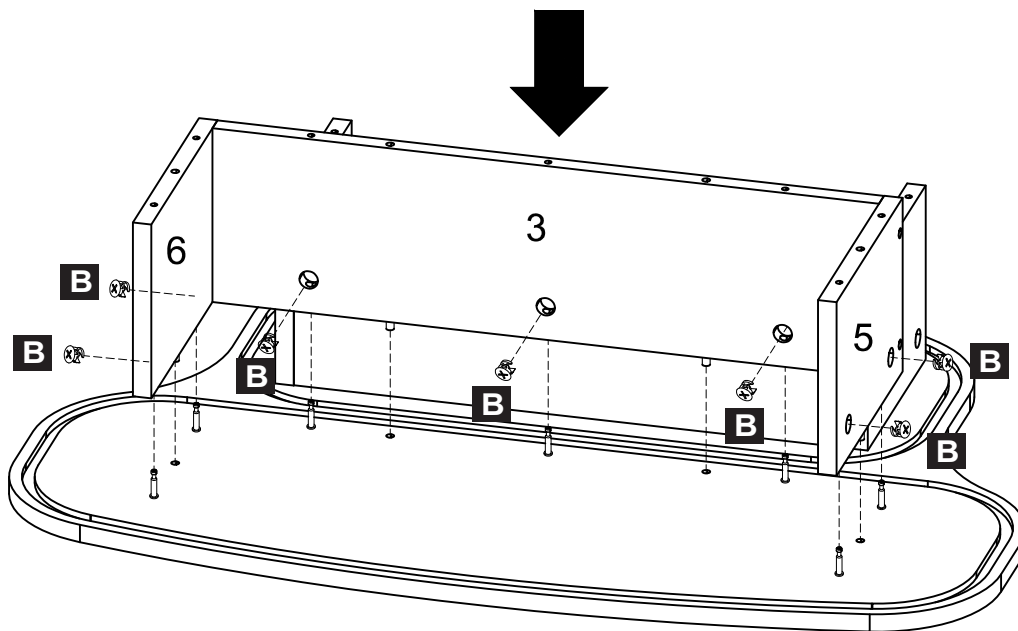
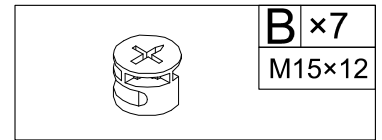




3

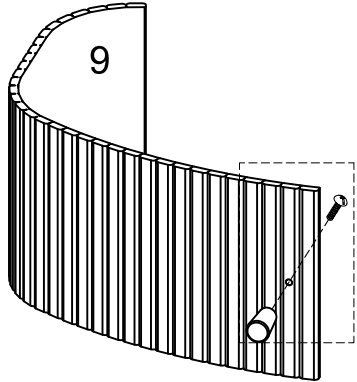
	A × 13		B × 6
	M6 × 35		M15 × 12



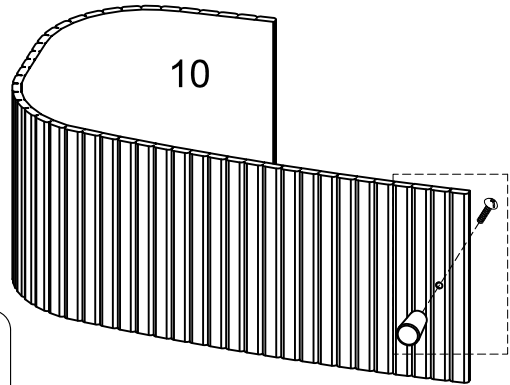
5



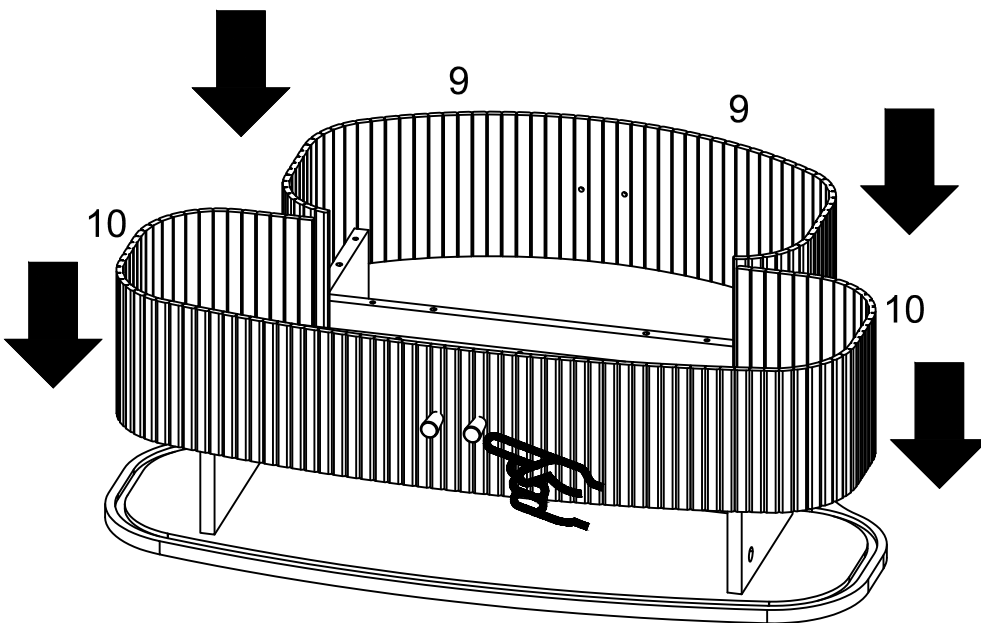
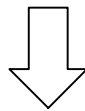
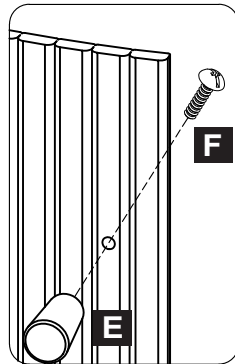
	E x4		F x4 M4x12
---	-------------	---	----------------------



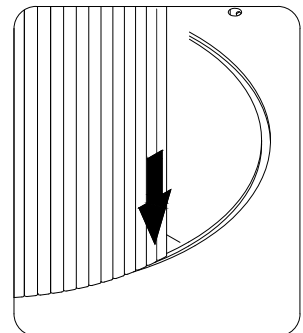
x2



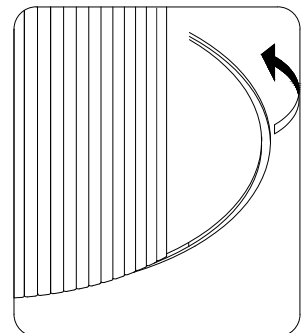
x2



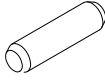


(1) Tilt into the groove

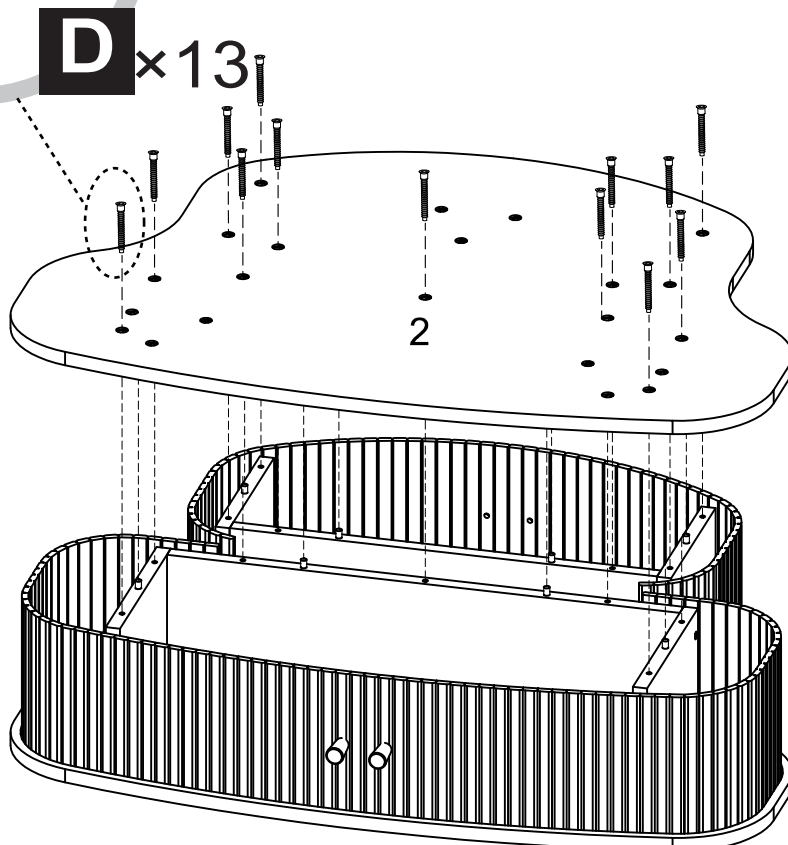
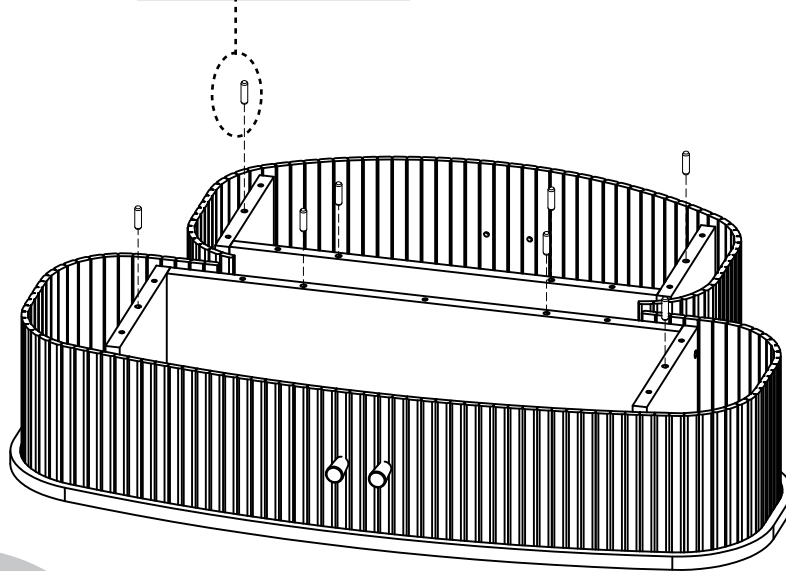
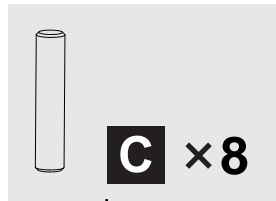


(2) Slide

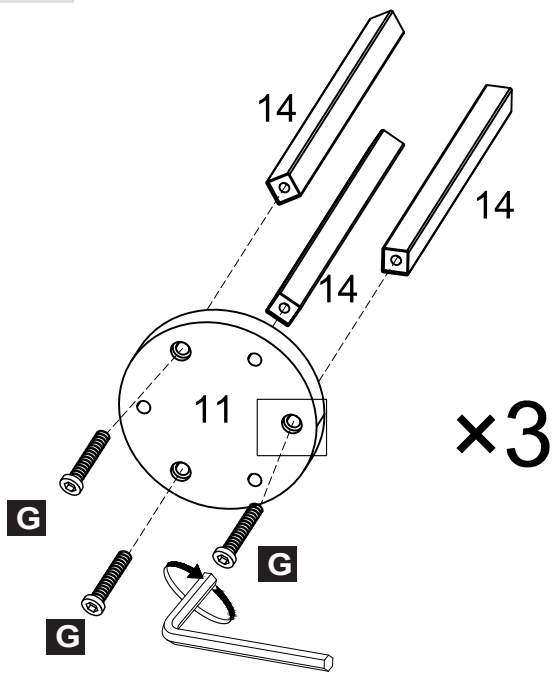




6

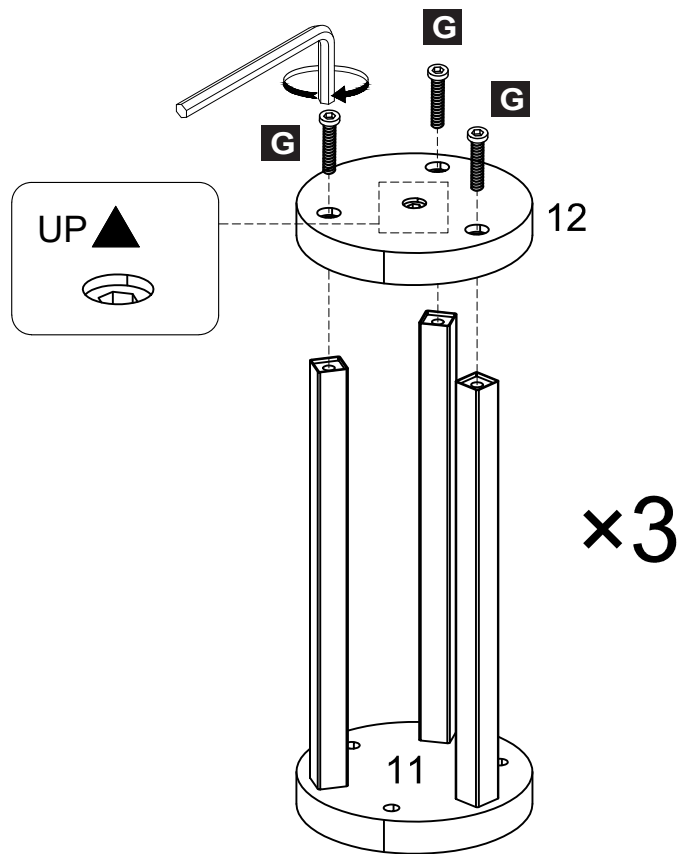
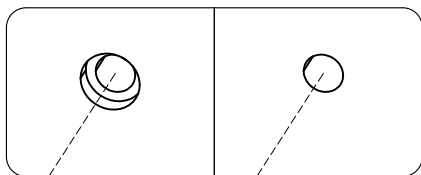
	C × 8 M6×30		D × 13 M7×50
			





7



	G × 18 M6 × 28
	J × 1 M4



	G × 9
	M6 × 28
	J × 1
	M4

