

ASSEMBLY INSTRUCTIONS
COASTER FINE FURNITURE



Fine Furniture for every stage of life

224300Q (B1-B3)
Queen Bed

ITEM: 224300Q (B1-B3)



ASSEMBLY INSTRUCTIONS

ASSEMBLY TIPS:

1. Remove hardware from box and sort by size.
2. Please check to see that all hardware and parts are present prior to start of assembly.
3. Please follow attached instructions in the same sequence as numbered to assure fast & easy assembly.



WARNING!

1. Don't attempt to repair or modify parts that are broken or defective. Please contact the store immediately.
2. This product is for home use only and not intended for commercial establishments.

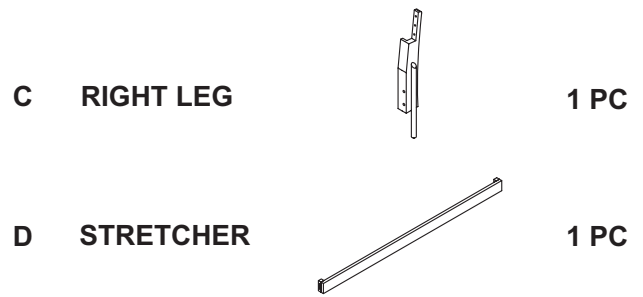
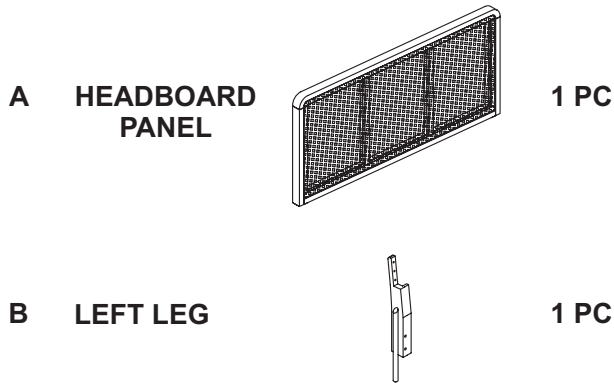


ASSEMBLY TIME

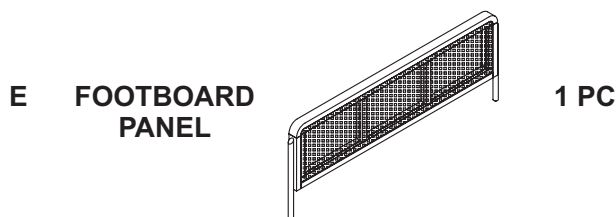
25 MINUTES

PART IDENTIFICATION

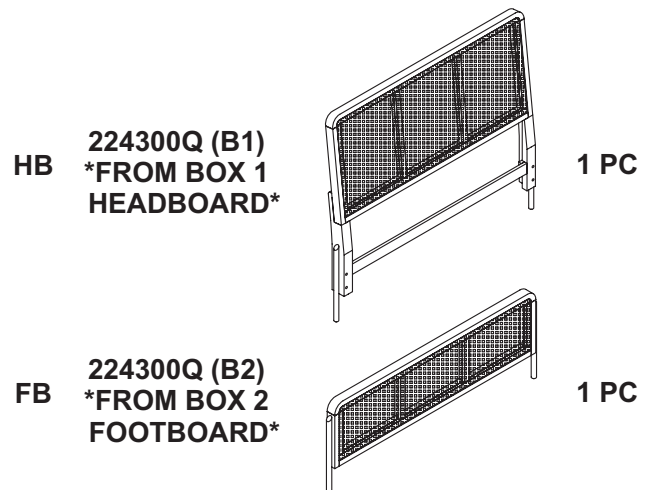
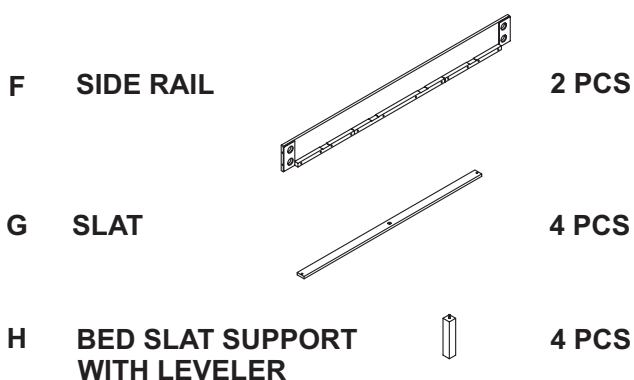
B1 (BOX 1)



B2 (BOX 2)



B3 (BOX 3)



ITEM: 224300Q (B1-B3)

ASSEMBLY INSTRUCTIONS

ASSEMBLY TIPS:

1. Remove hardware from box and sort by size.
2. Please check to see that all hardware and parts are present prior to start of assembly.
3. Please follow attached instructions in the same sequence as numbered to assure fast & easy assembly.


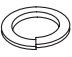


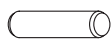


WARNING!






1. Don't attempt to repair or modify parts that are broken or defective. Please contact the store immediately.
2. This product is for home use only and not intended for commercial establishments.

HARDWARE IDENTIFICATION

Z-B1 (BOX 1) - HARDWARE PACK IS LOCATED IN 224300 (B1)

1	BOLT (5/16" x 45mm - BLK)		8 PCS
2	LOCK WASHER (1.6 x 14mm - BLK)		8 PCS
3	FLAT WASHER (1 x 18mm - BLK)		8 PCS
4	ALLEN WRENCH (M5 x 65mm - BLK)		1 PC
5	WOOD DOWEL (10 x 30mm - BRW)		4 PCS

Z-B3 (BOX 3) - HARDWARE PACK IS LOCATED IN 224300 (B3)

6	FLAT HEAD SCREW (8 x 38mm - BLK)		8 PCS
7	THREADED BOLT (5/16" x 100mm - WHT)		8 PCS
8	HEX NUT (5/16" x 100mm - WHT)		8 PCS
9	D-SQUARE WASHER (22 x 17 x 10mm - WHT)		8 PCS
10	WRENCH (13mm - WHT)		1 PC

NOTE :

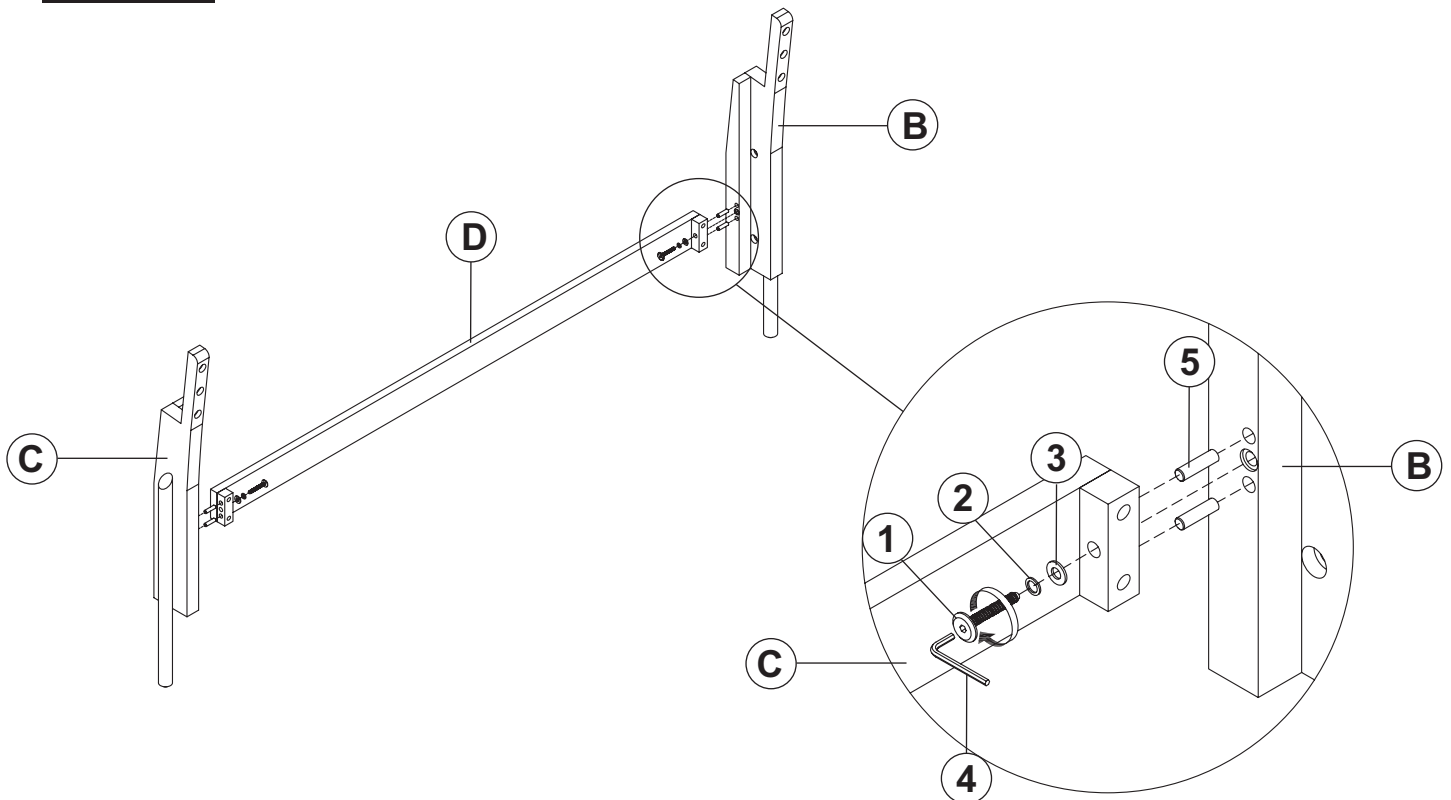
Philips head screw driver is required in the assembly process; however, manufacturer does not provide this item.

ITEM: 224300Q (B1-B3)

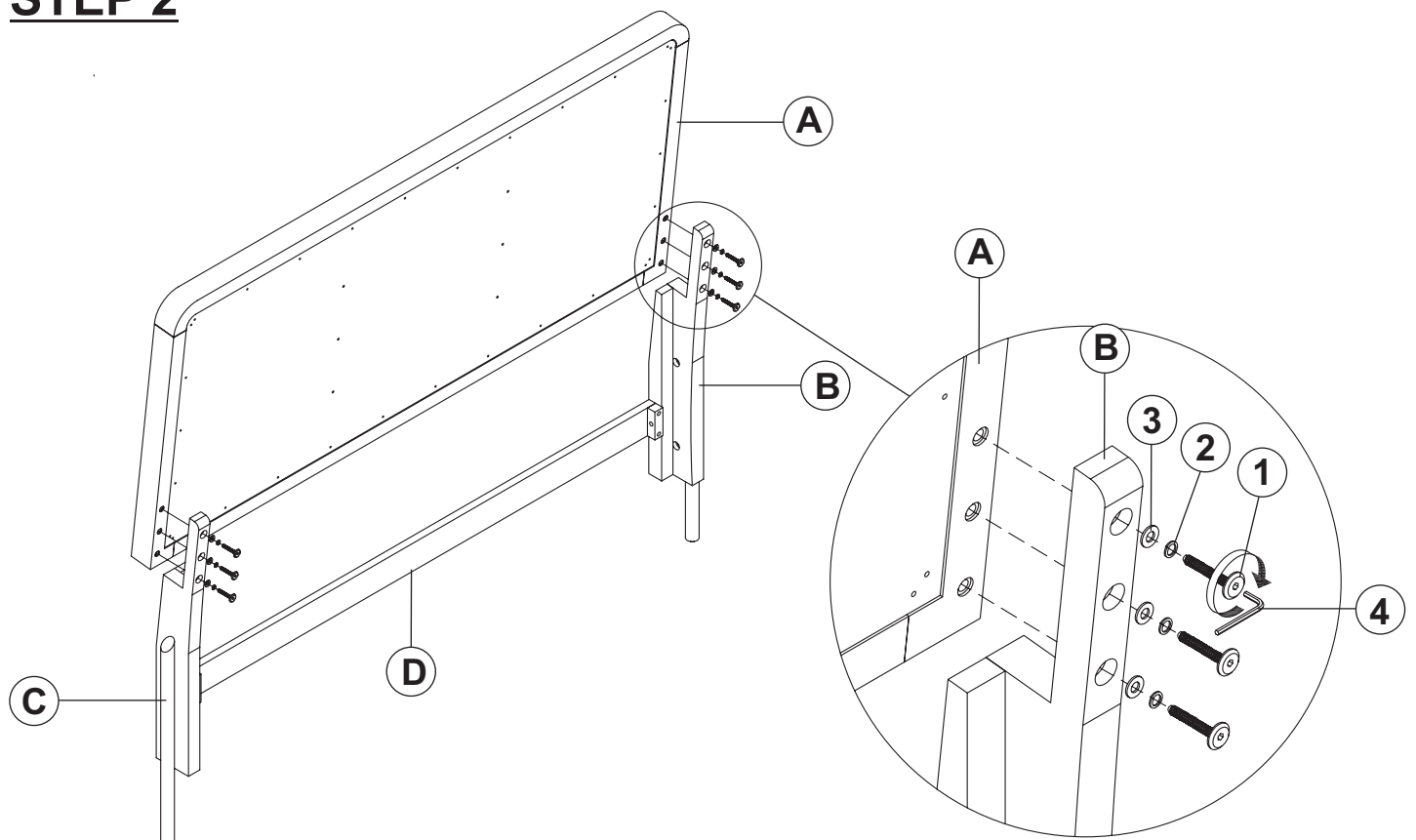
ASSEMBLY INSTRUCTIONS



STEP 1



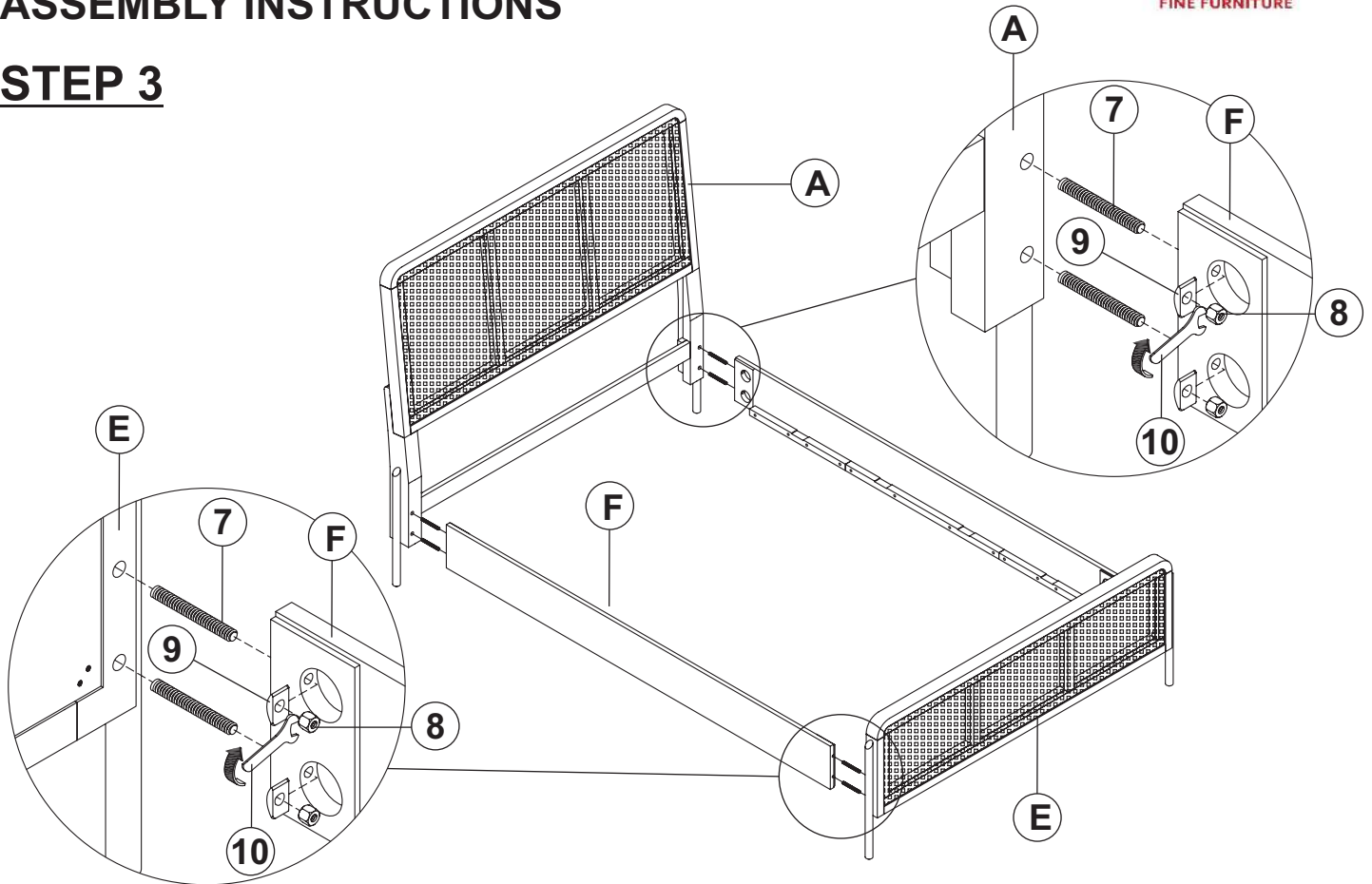
STEP 2



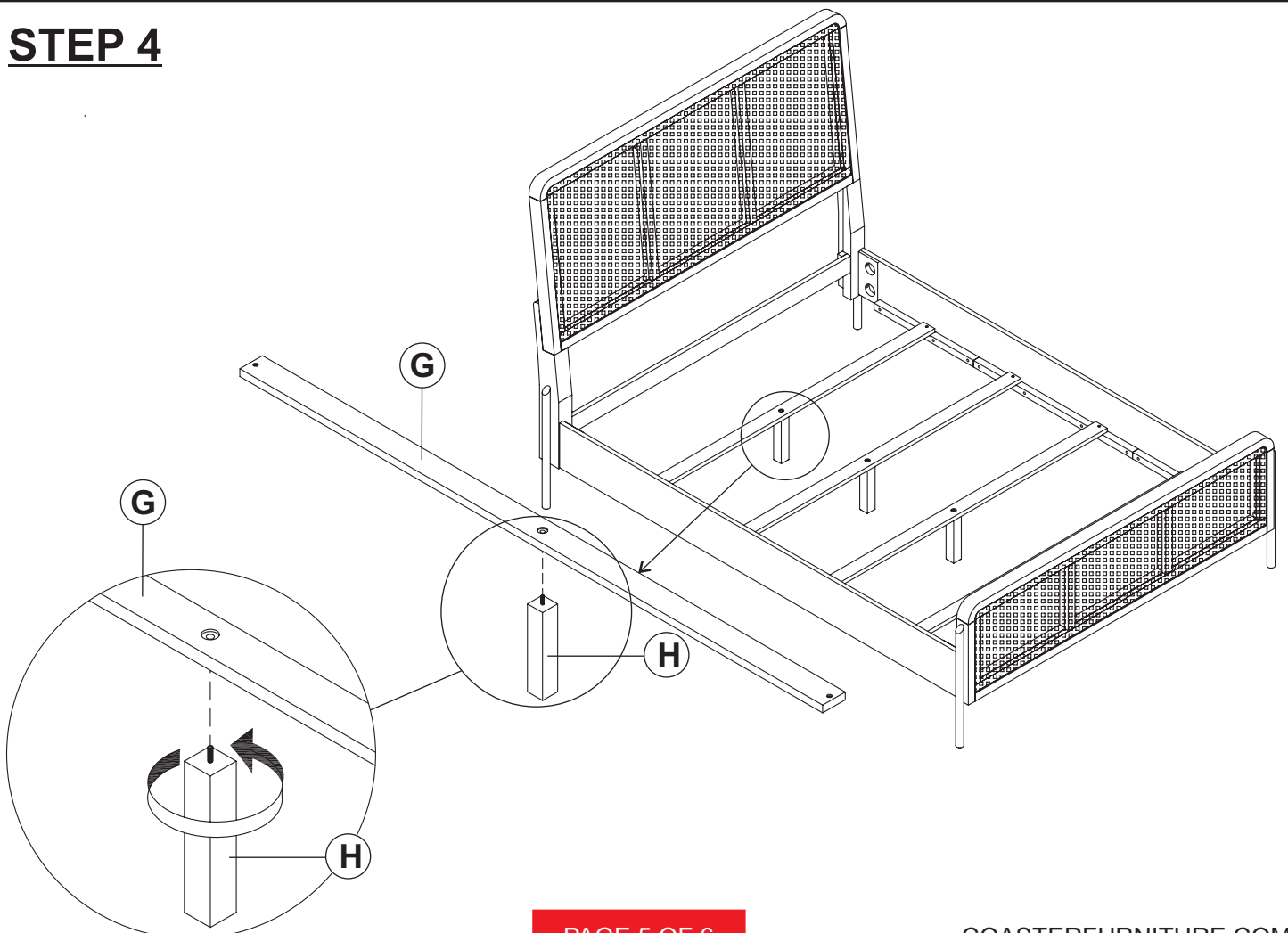
ITEM: 224300Q (B1-B3)

ASSEMBLY INSTRUCTIONS

STEP 3



STEP 4

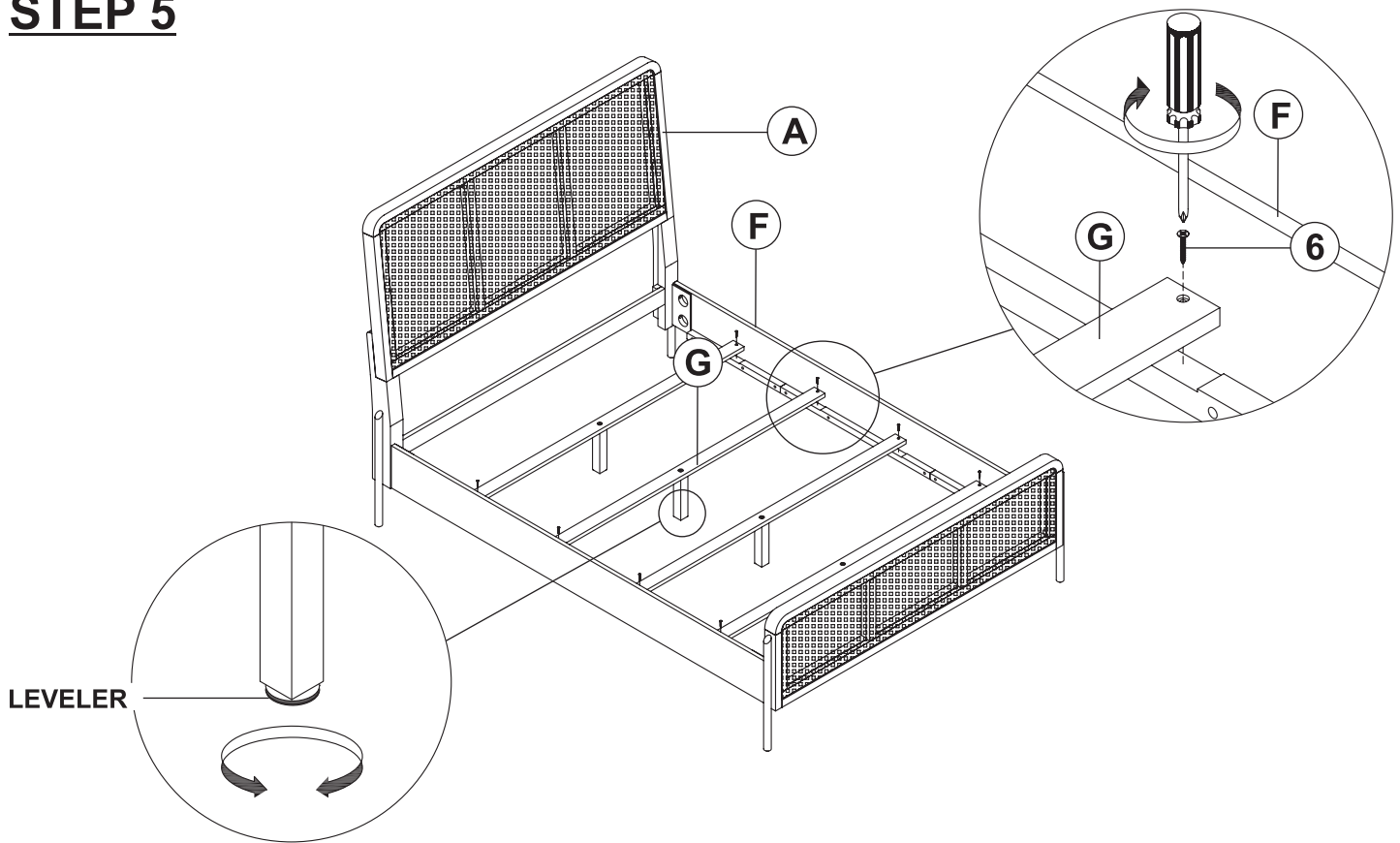


ITEM: 224300Q (B1-B3)

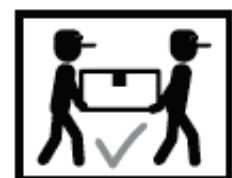
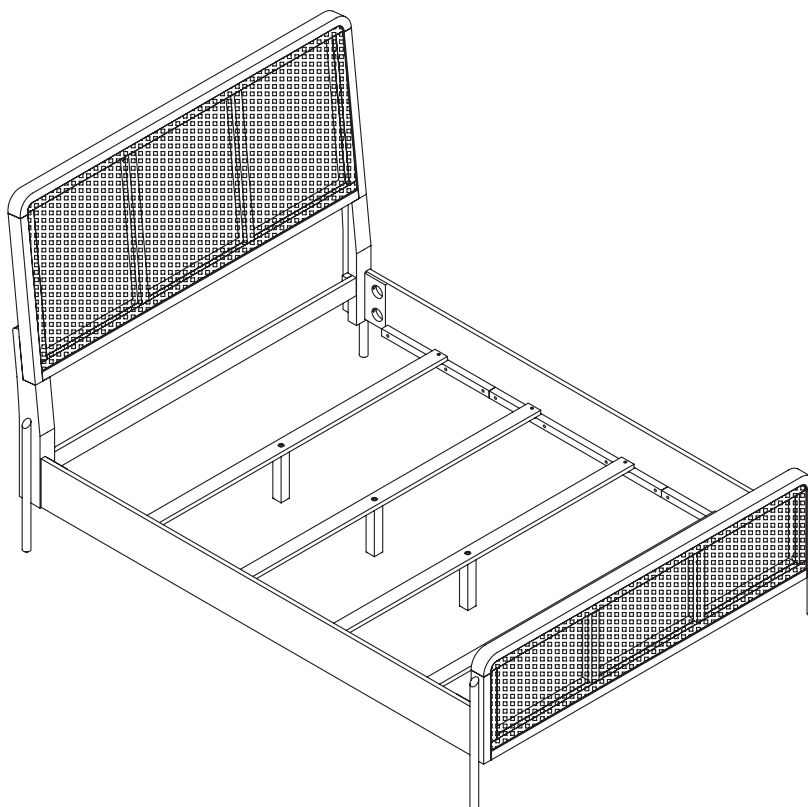
ASSEMBLY INSTRUCTIONS



STEP 5

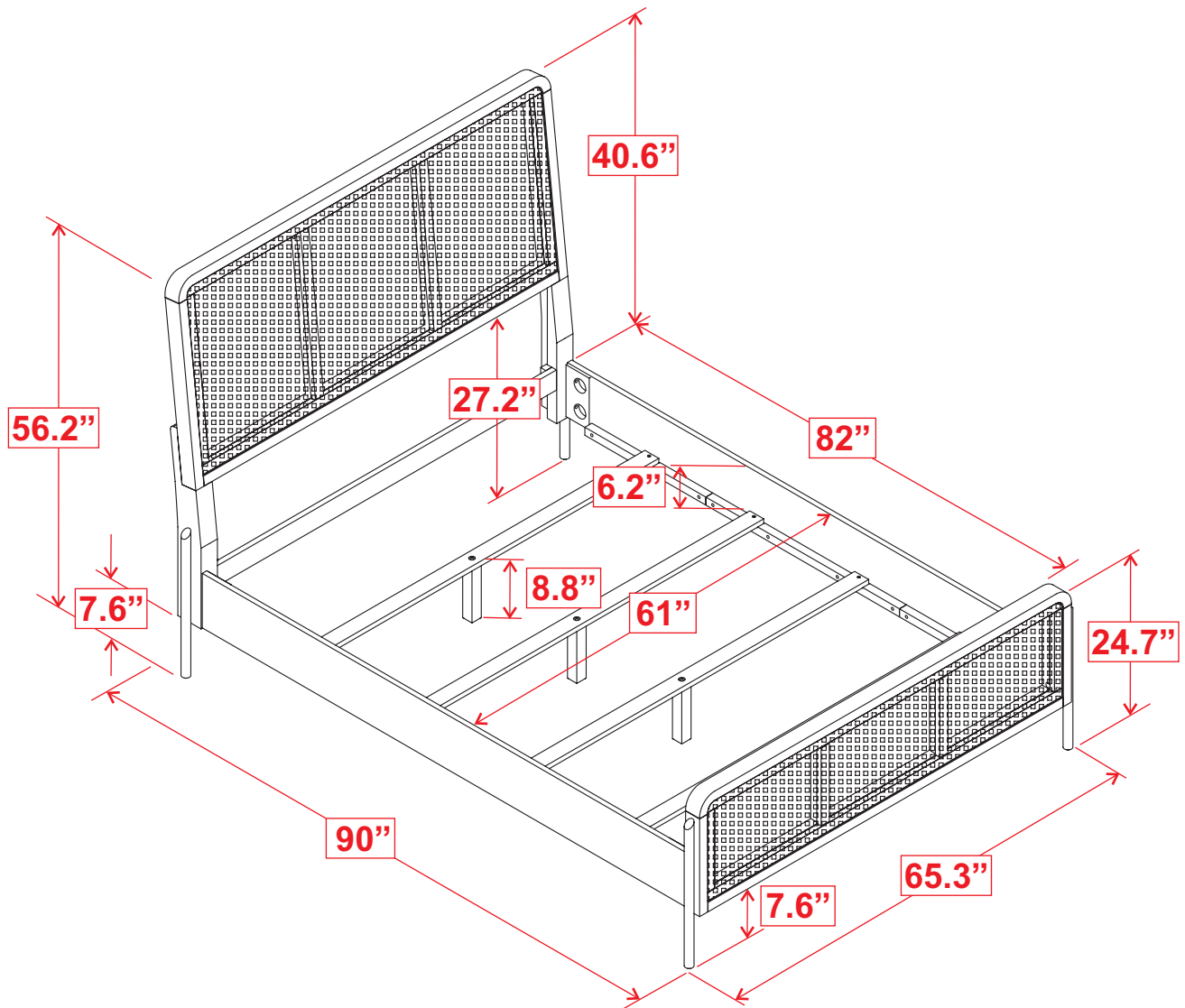


STEP 6 COMPLETE



ITEM: 224300Q (B1-B3)

INNER SIZE : 82" x 61"



NOTE: Dimension tolerance $\pm 5\%$