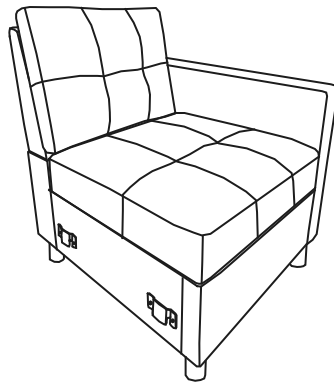
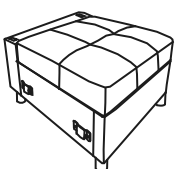
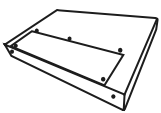
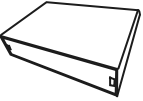
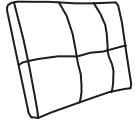









# ASSEMBLY INSTRUCTION

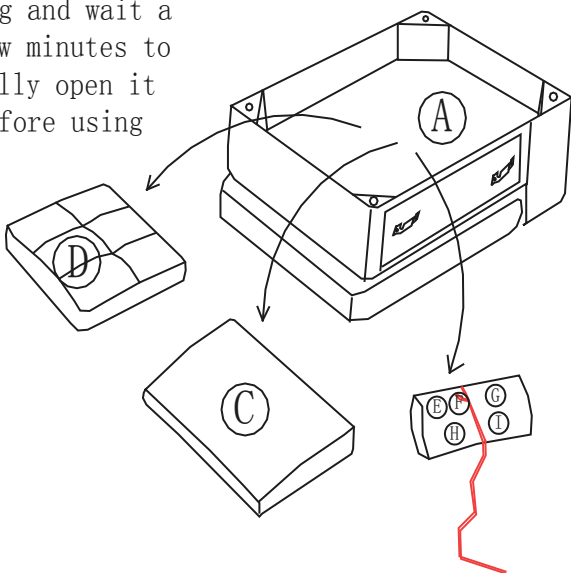


## PARTS LIST

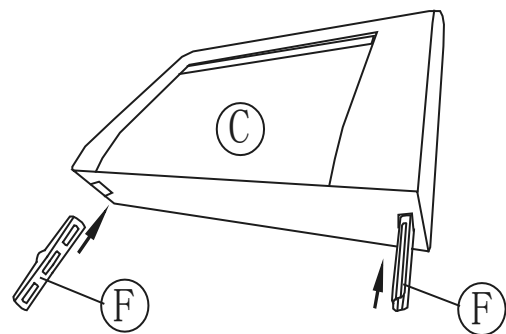
|  |  |   |  |  |  |
|--|--|---|--|--|--|
| <b>A</b> x1<br>   | <b>B</b> x1<br>             | <b>C</b> x1<br>    | <b>D</b> x1<br>   | <b>E</b> x4<br>   |  |
| <b>F</b> x2<br> | <b>G1</b> x5<br><br>M8*60 | <b>G2</b> x5<br> | <b>G3</b> x1<br> | <b>H</b> x4<br> | <b>I</b> x4<br> |

### Step 1

Take out the soft bag and wait a few minutes to fully open it before using



### Step 2



When the iron sheet is inserted, the groove faces outward.