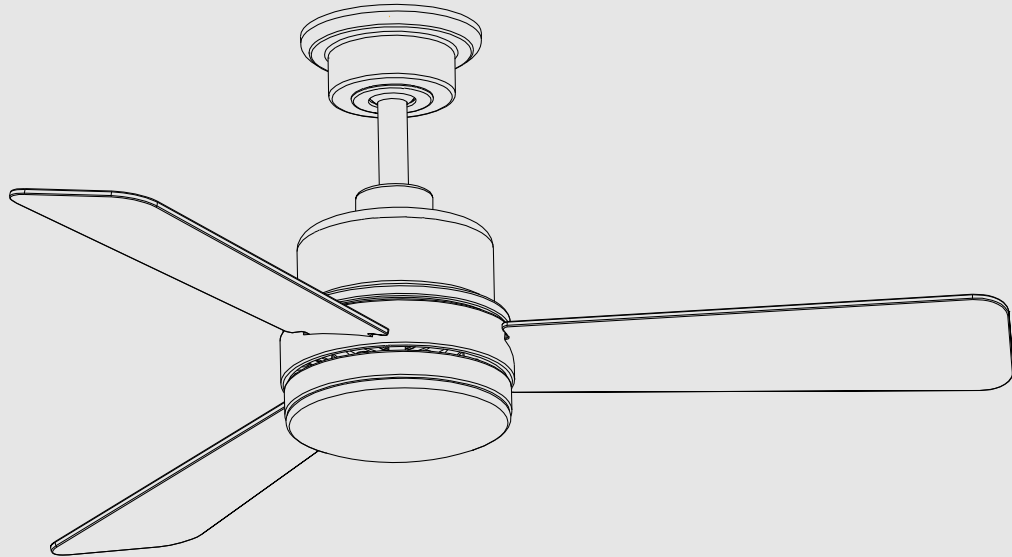


Ceiling Fan Installation Manual



Limited Lifetime Warranty

Fan motors are warranted to the original purchaser to be free of electrical and/or mechanical defects for so long as the original purchaser owns the fan. Pull chain switches, reverse switches, capacitors and metal finishes are warranted to be free from defects in materials or workmanship for a period of 1 year from the date of purchase. Warping of wooden or plastic blades is not covered by this warranty nor is corrosion and/or deterioration of any finishes for fans installed within ten miles of any sea coast. Extended warranties for qualified products may apply.

Ceiling fans with built-in LED light sources, when properly installed and under normal conditions of use, are warranted to be free from defects in material and workmanship which cause the light sources to fail to operate in accordance with the specifications for (i) five (5) years from the date of purchase on the LED Light modules and electrical components for fans used in single family residences, and (ii) three (3) years from the date of purchase on the LED Light modules and electrical components for fans used in multi-family or commercial applications. LED bulbs supplied carry no warranty other than manufacturer's warranty. Non-LED bulbs carry no warranty.

With proof of purchase, the original purchaser may return the defective fan to the place of purchase during the first 30 days for replacement.

Labor and Shipping Excluded. This warranty does not cover any costs or fees associated with the labor (including, but not limited to, electrician's fees) required to install, remove, or replace a fan or any fan parts.

This warranty shall not apply to any loss or damage resulting from (i) normal wear and tear or alteration, misuse, abuse or neglect, or (ii) improper installation, operation, repair or maintenance by original purchaser or a third party, including without limitation improper voltage supply or power surge, use of improper parts or accessories, unauthorized repair (made or attempted) or failure to provide maintenance to the fan.

THE FOREGOING WARRANTIES STATE ENTIRE WARRANTY OBLIGATION AND ORIGINAL PURCHASER'S SOLE AND EXCLUSIVE REMEDY RELATED TO SUCH PRODUCTS. IS NOT RESPONSIBLE FOR DAMAGES (INCLUDING INDIRECT, SPECIAL, INCIDENTAL OR CONSEQUENTIAL), DUE TO PRODUCT FAILURE, WHETHER ARISING OUT OF BREACH OF WARRANTY, BREACH OF CONTRACT, OR OTHERWISE. THIS WARRANTY IS GIVEN IN LIEU OF ALL OTHER WARRANTIES, WHETHER EXPRESSED OR IMPLIED, INCLUDING THOSE OF MERCHANTABILITY, FITNESS FOR A PARTICULAR PURPOSE OR NONINFRINGEMENT.

Some states do not allow limitations on how long an implied warranty lasts or the exclusion or limitations of incidental or consequential damages, so the above limitations and exclusions may not apply to you. This warranty gives you specific rights and you may have other rights which vary from state to state.

Safety Rules	1
Unpacking Your Fan	2
Installing Your Fan	3
Making the Electrical Connections	6
Operating Your Fan	9
Care of Your Fan	10
Troubleshooting	10
Specifications	11

Table of Contents

READ AND SAVE THESE INSTRUCTIONS

1. To reduce the risk of electric shock, insure electricity has been turned off at the circuit breaker or fuse box before beginning.
2. All wiring must be in accordance with the National Electrical Code ANSI/NFPA 70-1999 and local electrical codes. Electrical installation should be performed by a qualified licensed electrician.
3. **CAUTION:** To reduce the risk of personal injury, use only the screws provided with the electrical box.
4. The outlet box and support structure must be securely mounted and capable of reliably supporting 35 lbs. (15.9 kg). Use only cUL Listed outlet boxes marked “Acceptable for Fan Support of 35 lbs. (15.9 kg) or less.”
5. **CAUTION:** The fan must be mounted with a **minimum of 7 feet clearance** from the trailing edge of the blades to the floor.
6. Do not operate reversing switch while fan blades are in motion. Fan must be turned off and blades stopped before reversing blade direction.
7. Avoid placing objects in path of the blades.
8. To avoid personal injury or damage to the fan and other items, be cautious when working around or cleaning the fan.
9. Do not use water or detergents when cleaning the fan or fan blades. A dry dust cloth or lightly dampened cloth will be suitable for most cleaning.
10. After making electrical connections, spliced conductors should be turned upward and pushed carefully up into electrical box. The wires should be spread apart with the grounded conductor and the equipment-grounding conductor on one side of the electrical box and ungrounded conductor on the other side of the electrical box.
11. Electrical diagrams are for reference only. Light kits that are not packed with the fan must be cUL Listed and marked suitable for use with the model fan you are installing. Switches must be cUL General Use Switches. Refer to the instructions packaged with the light kits and switches for proper assembly.
12. All set screws must be checked and retightened where necessary before installation.
13. **WARNING:** To reduce the risk of fire or electric shock, this fan should only be used with fan speed control part no. UC9031 (P2630), manufactured by Rhine Electronic Co., Ltd.
14. Suitable for use with solid-state speed controls.

WARNING

TO REDUCE THE RISK OF FIRE, ELECTRIC SHOCK OR PERSONAL INJURY, MOUNT TO OUTLET BOX MARKED “ACCEPTABLE FOR FAN SUPPORT OF 35 LBS. (15.9 KG) OR LESS”, AND USE SCREWS PROVIDED WITH THE OUTLET BOX.

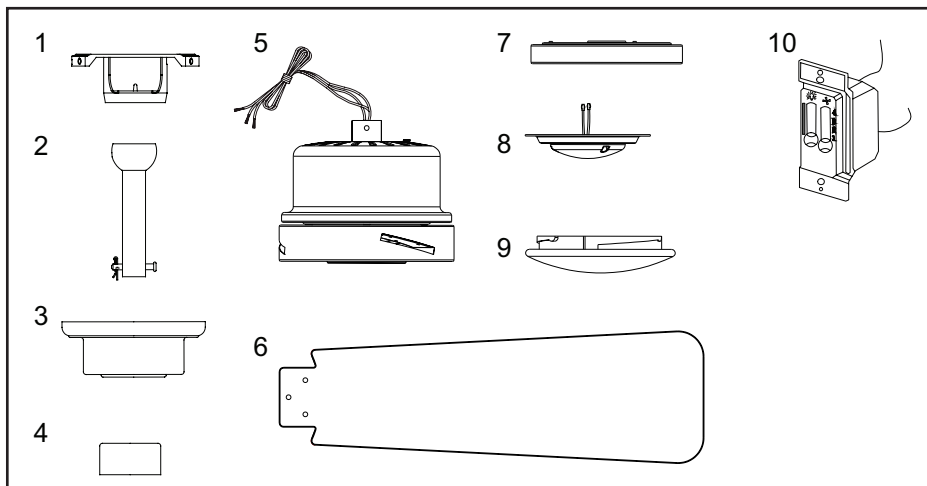
WARNING

TO REDUCE THE RISK OF PERSONAL INJURY, DO NOT BEND THE BLADE BRACKETS (ALSO REFERRED TO AS (“FLANGES”)) DURING ASSEMBLY OR AFTER INSTALLATION. DO NOT INSERT OBJECTS IN THE PATH OF THE BLADES.

WARNING

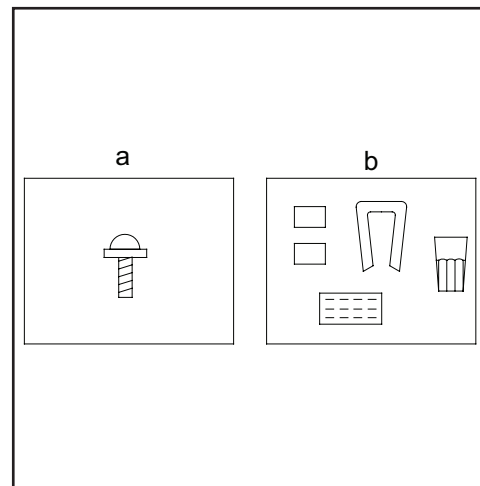
TO REDUCE THE RISK OF SHOCK, THIS FAN MUST BE INSTALLED WITH AN ISOLATION CONTROL/SWITCH.

1. Safety Rules



Unpack your fan and check the contents. You should have the following items:

- | | |
|---|------------------------------|
| 1. Mounting Bracket (inside canopy) | 5. Fan Motor Assembly |
| 2. 4.5" Ball/Downrod Assembly (hanger pin and locking pin pre-attached) | 6. Blades (3) |
| 3. Canopy with Canopy Ring (attached) | 7. Light Kit Pan |
| 4. Decorative Motor Collar Cover | 8. Light Kit Fitter Assembly |
| | 9. Glass Shade |
| | 10. Wall Control |



- | | |
|----|--|
| a. | Blade attachment hardware
(10 Screws) |
| b. | Electrical hardware & Balancing kit
(3 plastic wire connectors, blade balancing kit) |

2. Unpacking Your Fan

Tools Required

Phillips screw driver or straight slotted screw driver, adjustable wrench, step ladder, and wire cutters.



Mounting Options

If there isn't an existing electrical box, then read the following instructions. **Disconnect the power by removing fuses or turning off circuit breakers.**

Secure the electrical box directly to the building structure. Use appropriate fasteners and building materials. The electrical box and its support must be able to fully support the moving weight of the fan (at least 35 lbs.). **Do not use plastic electrical boxes.**

WARNING

TO REDUCE THE RISK OF FIRE, ELECTRIC SHOCK OR PERSONAL INJURY, MOUNT TO OUTLET BOX MARKED "ACCEPTABLE FOR FAN SUPPORT OF 35LBS. (15.9 KG) OR LESS", AND USE SCREWS PROVIDED WITH THE OUTLET BOX. ELECTRICAL BOXES COMMONLY USED FOR THE SUPPORT OF LIGHTING FIXTURES MAY NOT BE ACCEPTABLE FOR FAN SUPPORT AND MAY NEED TO BE REPLACED. CONSULT A QUALIFIED ELECTRICIAN IF IN DOUBT.

Figures 1, 2, and 3 are examples of different ways to mount the electrical box.

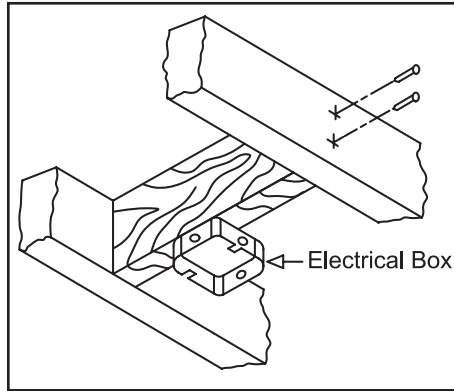


Figure 1

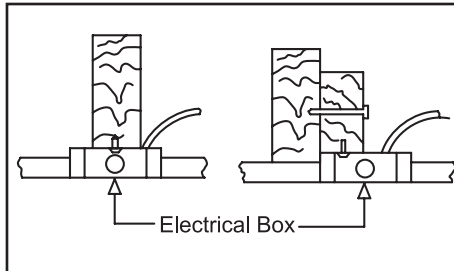


Figure 2

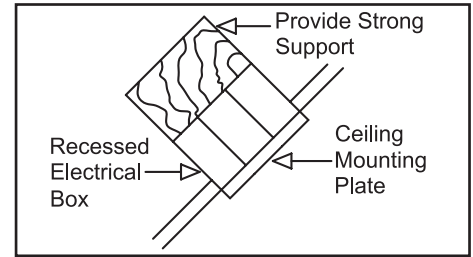


Figure 3

Note: You may need a longer downrod to maintain proper blade clearance when installing on a steep, sloped ceiling. The maximum allowable angle is 30°.

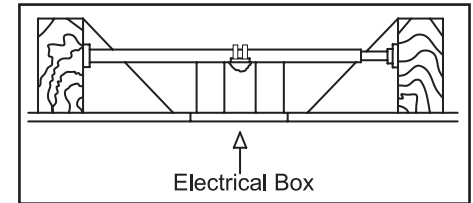


Figure 4

To hang your fan where there is an existing fixture but no ceiling joist, you may need an installation hanger bar as shown in Figure 4.

3. Installing Your Fan

Hanging the Fan

REMEMBER to turn off the power. Follow the steps below to hang your fan properly.

NOTE: This fan is recommended for standard ceiling mount using the downrod provided with this fan. When using standard ceiling installation with the 4.5 inch downrod provided, the distance from the ceiling to the bottom of the fan blades will be approximately 12.9 inches.

Standard Ceiling Mounting

1. Remove the canopy ring from the canopy by turning the ring to the right until it unlocks. (Figure 5)
2. Remove the mounting plate from the canopy by loosening the four screws on the top of the canopy. Remove the two non-slotted screws and loosen the slotted screws. This will enable you to remove the mounting plate. (Figure 6)
3. Remove the hanger pin and locking pin from downrod assembly.
4. Route the wires exiting the top of the fan motor through the decorative motor collar cover then the canopy ring. Make sure the slot openings are on top. Route the wires through the canopy and then through the ball/downrod assembly. (Figure 7)

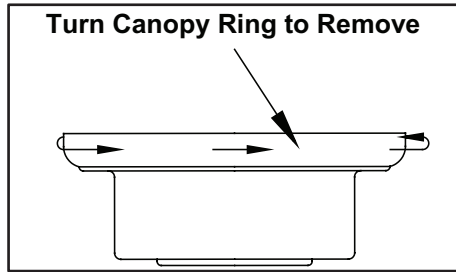


Figure 5

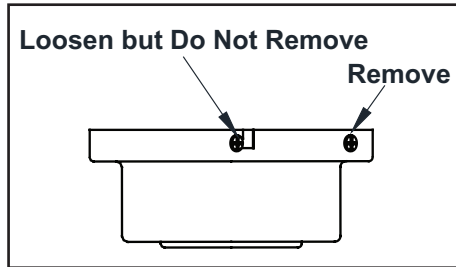


Figure 6

5. Loosen, but do not remove, the set screws on the collar on the top of the motor housing.
6. Align the holes at the bottom of the downrod with the holes in the collar on top of the motor housing. (Figure 7) Carefully insert the hanger pin through the holes in the collar and downrod. Be careful not to jam the hanger pin against the wiring inside the downrod. Insert the locking pin through the hole near the end of the hanger pin until it snaps into its locked position, as noted in the circle inset of Figure 7.

7. Re-tighten the set screws on the motor collar on top of the motor housing.
8. Make sure the grommet is properly installed in the collar cover, then slide the collar cover on the downrod until it rests on the motor housing. Be sure that the canopy and the collar cover are both oriented correctly.
9. Proceed to “Installing the Fan” section.

WARNING

FAILURE TO PROPERLY INSTALL SET SCREWS AS NOTED IN STEP 7 COULD RESULT IN FAN LOOSENING AND POSSIBLY FALLING.

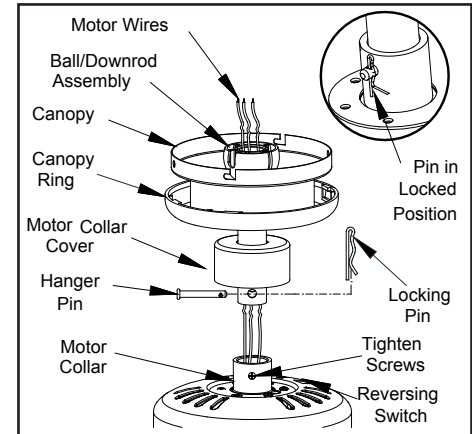


Figure 7

Installing Fan to the Electrical Box

CAUTION

WHEN MOUNTING THE FAN ON A SLOPED CEILING, THE STANDARD BALL/DOWNROD MOUNTING METHOD MUST BE USED. THE MOUNTING PLATE MUST BE MOUNTED SO THAT THE SLOT OPENINGS ARE ON THE LOWER SIDE BY SLIDING THE MOUNTING PLATE FROM THE TOP DOWN.

1. Pass the 120-volt supply wires through the center hole in the ceiling mounting plate as shown in Figure 8.
2. Install the ceiling mounting bracket on the electrical box by using the mounting screws provided with the electrical box. Note that the flat side of the mounting plate is toward the electrical box. (Figure 8)
3. Tighten the two screws on the electrical box securely.
4. Carefully lift the fan assembly up to the ceiling mounting plate. Make sure the tab on the mounting plate is properly seated in the groove in the hanger ball. (Figure 9)

WARNING

WHEN USING THE STANDARD BALL/DOWNROD MOUNTING, THE TAB IN THE RING AT THE BOTTOM OF THE MOUNTING BRACKET MUST REST IN THE GROOVE OF THE HANGER BALL. FAILURE TO PROPERLY SEAT THE TAB IN THE GROOVE COULD CAUSE DAMAGE TO WIRING.

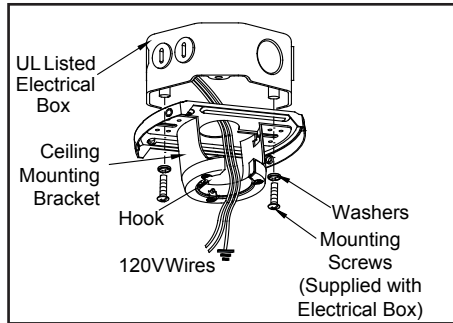


Figure 8

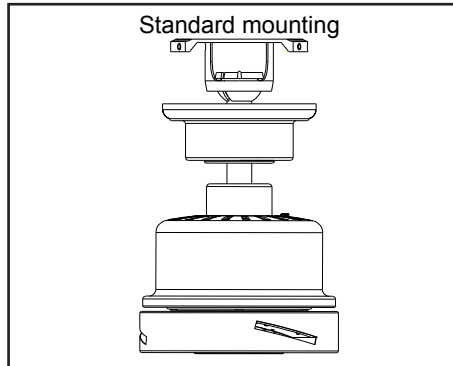


Figure 9

Making the Electrical Connections

REMEMBER to disconnect the power. If you feel you do not have enough electrical wiring knowledge or experience, have your fan installed by a licensed electrician.

Follow the steps below to connect the fan to your household wiring. Use the wire connectors supplied with your fan. Secure the connectors with electrical tape. Make sure there are no loose strands or connections. (Figure 10)

1. After electricity has been turned off at the main fuse box or circuit breaker panel, remove the existing wall plate and switch.
2. Proceed to connect the wires as follows (make sure the fan and light slide switches of the wall control are set in "OFF" position); Connect the solid **black** wire from the wall control to the **black** wire from the fan. Connect the **red or blue** wire from the wall control to the **black** wire from the fan. Connect the **black with white stripes** wire from the wall control to the 120V AC hot wire. Use wire connectors provided to secure the connections.

If your outlet box has a ground wire (green or bare copper), connect the wall transmitter's ground wire to it; otherwise connect the wall transmitter's ground wire directly to one of the screws from the outlet box.

3. Secure the UC9031 (P2630) wall control to the outlet box using the two 6-32" x 3/4" screws provided.
4. Secure the face plate over the wall control with the two 6-32" x 1/4" screws provided.

NOTE: Refer to the Schematic on the back of the wall control.

NOTE

INSTALLATION OF THIS WALL CONTROL REQUIRES THAT THE THREE-CONDUCTOR CABLE WITH GROUND WIRE BE RUN BETWEEN THE CONTROL WALL BOX AND THE CEILING FAN OUTLET.

WARNING

EACH WIRE NUT (WIRE CONNECTOR) SUPPLIED WITH THIS FAN IS DESIGNED TO ACCEPT UP TO ONE 12 GAUGE HOUSE WIRE AND TWO WIRES FROM THIS FAN. IF YOU HAVE LARGER THAN 12 GAUGE HOUSE WIRING OR MORE THAN ONE HOUSE WIRE TO CONNECT TO THE FAN WIRING, CONSULT AN ELECTRICIAN FOR THE PROPER SIZE WIRE NUTS TO USE.

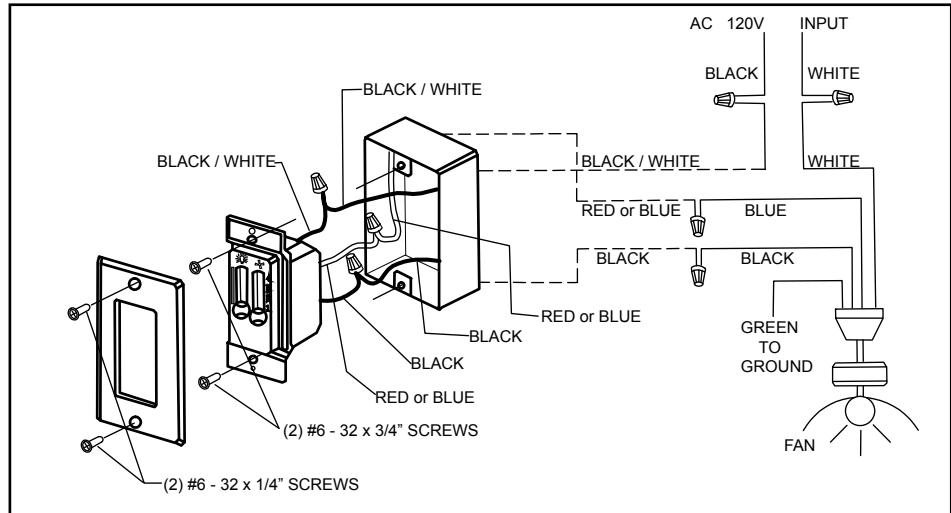


Figure 10

Finishing the Fan Installation

STANDARD CEILING MOUNTING

WARNING

WHEN USING THE STANDARD BALL/DOWNROD MOUNTING, THE TAB IN THE RING AT THE BOTTOM OF THE MOUNTING PLATE MUST REST IN THE GROOVE OF THE HANGER BALL. FAILURE TO PROPERLY SEAT THE TAB IN THE GROOVE COULD CAUSE DAMAGE TO WIRING.

1. Align the locking slots of the ceiling canopy with the two screws in the mounting plate. Push up to engage the slots and turn clockwise to lock in place. Immediately tighten the two mounting screws firmly.
2. Install the remaining two mounting screws into the holes in the canopy and tighten firmly.
3. Install the decorative canopy ring by aligning the ring's slots with the screws in the canopy. Rotate the ring counter-clockwise to lock in place.
4. You may now proceed to attaching the fan blades.

Attaching the Fan Blades

1. Insert the blade through the slot cut-off in the center flywheel, align the three screw holes in the blade with the screw holes in the flywheel and secure with the screws provided. (Figure 11)
2. Repeat for the remaining blades.

Blade Balancing

All blades are grouped by weight. Because natural woods vary in density, the fan may wobble even though the blades are weight matched.

The following procedure should correct most fan wobble. Check after each step.

1. Check that all blade screws are secure.
2. Most fan wobble problems are caused when blade levels are unequal. Check this level by selecting a point on the ceiling above the tip of one of the blades. Measure from a point on the center of each blade to the point on the ceiling. Measure this distance as shown in Figure 12. Rotate the fan until the next blade is positioned for measurement. Repeat for each blade. Measurements deviation should be within 1/8". Run the fan for 10 minutes.

3. Make sure that canopy is tightened securely to ceiling mounting bracket and that the ceiling mounting bracket is tightened securely to the electrical box.
4. Interchanging two adjacent blades can redistribute the weight and possibly result in the smoother operation.
5. Use the enclosed Blade Balancing Kit if the blade wobble is still noticeable.

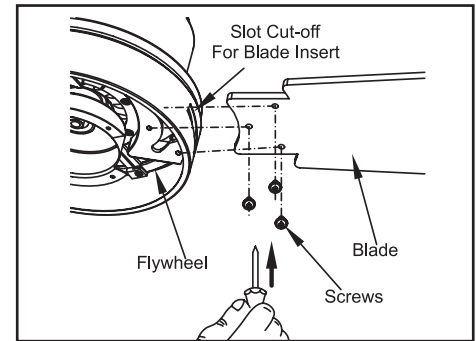


Figure 11

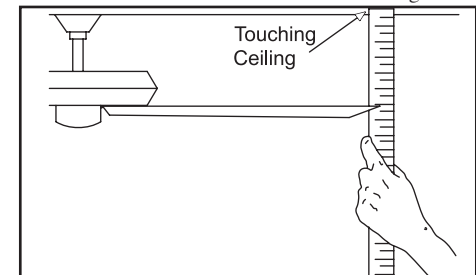


Figure 12

Installing the Light Kit and Glass Shade

CAUTION - To reduce the risk of electrical shock, disconnect the electrical supply circuit to the fan before installing the light kit.

NOTE

THE GLASS IS FRAGILE, USE CARE WHEN INSTALLING THE LIGHT KIT AND THE GLASS SHADE.

1. Loosen but do not remove two of three mounting screws from the fan motor assembly; Remove one mounting screw. (Figure 13)
2. Push the light kit pan up to the fan motor assembly so that the two loosened screw heads fit into the keyhole slots. Turn the light kit pan clockwise, tighten the screws. Re-install the screw that was removed in step 1 and tighten firmly. (Figure 13)
3. Remove one screw from the light kit pan and loosen, but do not remove, the other two screws. Connect the wires from the light kit assembly to the wires from the fan motor assembly by connecting the molded adaptor plugs together. Carefully tuck all wires and splices into the switch cap. (Figure 14)

4. Push the light kit assembly up so that the two loosened screw heads fit into the keyhole slots. Turn the light kit assembly clockwise, tighten the screws. Reinstall the screw that was removed in step 3 and tighten firmly. (Figure 15)
5. Place the glass shade into the light kit pan, aligning the three flat areas on the top of the glass shade with the three raised dimples in the light kit pan. Turn the glass shade clockwise until it stops. (Figure 15)

NOTE

PERIODICALLY CHECK THE SHADE IS SEATED FULLY CLOCKWISE IN THE LIGHT KIT PAN ASSEMBLY

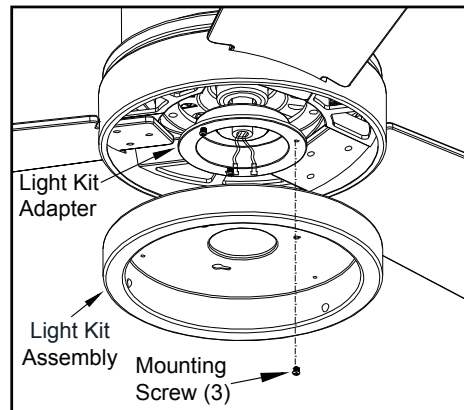


Figure 13

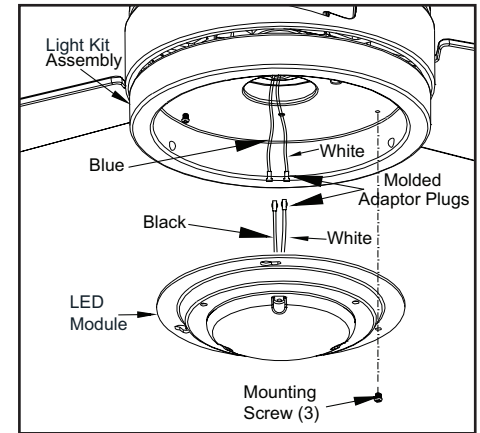


Figure 14

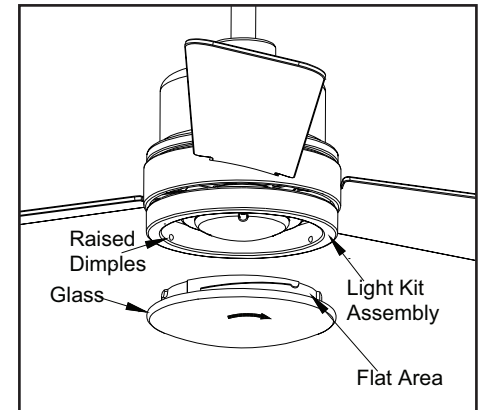


Figure 15

Speed settings for warm or cool weather depend on factors such as room size, ceiling height, number of fans, and so on.

The fan shipped from the factory with the reversing switch positioned to circulate air downward. If airflow is desired in the opposite direction, turn your fan off and wait for the blades to stop turning, then slide the reversing switch (located at the top of the motor housing, refer to figure 7 on page 4) to opposite position, and turn fan on again. The fan blades will turn in the opposite direction and reverse airflow.

Warm weather - (Forward) A downward air flow creates a cooling effect as shown in Figure 16. This allows you to set your air conditioner on a higher setting without affecting your comfort.

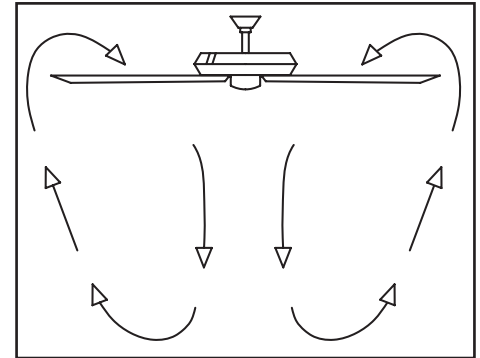


Figure 16

Cool weather - (Reverse) An upward air flow moves warm air off the ceiling as shown in Figure 17. This allows you to set your heating unit on a lower setting without affecting your comfort.

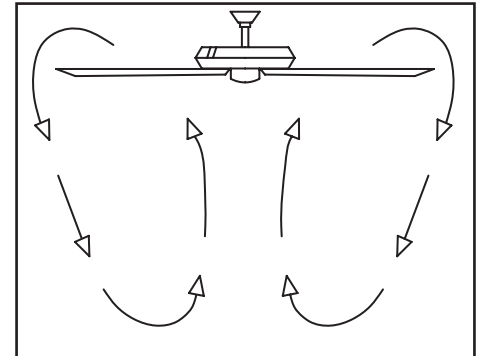


Figure 17

9. Operating Your Fan

Care of Your Fan

Here are some suggestions to help you maintain your fan.

1. Because of the fan's natural movement, some connections may become loose. **Check the support connections, brackets, and blade attachments twice a year.** Make sure they are secure. **(It is not necessary to remove fan from ceiling.)**
2. Clean your fan periodically to help maintain its new appearance over the years. Do not use water when cleaning, this could damage the motor, or the wood or possibly cause an electrical shock. Use only a soft brush or lint-free cloth to avoid scratching the finish. The plating is sealed with a lacquer to minimize discoloration or tarnishing. **Warning - Make sure the power is off before cleaning your fan.**
3. You can apply a light coat of furniture polish to the wood for additional protection and enhanced beauty. Cover small scratches with a light application of shoe polish.
4. **There is no need to oil your fan.** The motor has permanently lubricated sealed ball bearings.

Troubleshooting

Problem

Solution

Fan will not start

1. Check main and branch circuit fuses or breakers
2. Check line wire connections to the fan and switch wire connections in the switch housing. **CAUTION: Make sure main power is off.**

Fan sounds noisy

1. Make sure all motor housing screws are snug.
2. Make sure the screws that attach the fan blade bracket to the motor hub are tight.
3. Make sure wire nut connections are not rattling against each other or the interior wall of the switch housing. **CAUTION: Make sure power is off.**
4. Allow a 24-hour "breaking in" period. Most noises associated with a new fan disappear during this time.
5. Make sure the canopy is a short distance from the ceiling. It should not touch the ceiling.
6. Make sure your electrical box is secure and rubber isolator pads were used between the mounting bracket and electrical box.

WARNING

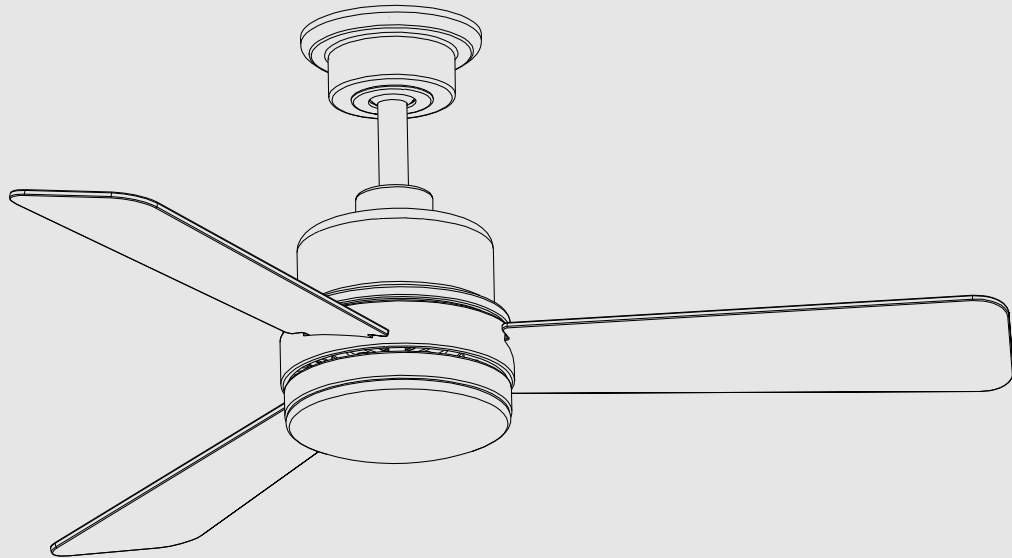
MAKE SURE THE POWER IS OFF AT THE ELECTRICAL PANEL BOX BEFORE YOU ATTEMPT TO MAKE ANY REPAIRS. REFER TO THE SECTION, "MAKING ELECTRICAL CONNECTIONS."

10. Care of Your Fan and Troubleshooting

FAN SIZE	SPEED	VOLTS	FAN POWER CONSUMPTION (WITHOUT LIGHTS) WATTS	AIRFLOW CFM	AIRFLOW EFFICIENCY (HIGHER IS BETTER) CFM/WATT	NET WEIGHT	GROSS WEIGHT	CUBE FEET
52"	Low	120	9	1999	222	14.77 Lbs	16.54 Lbs	1.43
	High		42	4306	103			

11. Specifications

Ventilador de techo - Manual de instalación



Garantía limitada de por vida

Los motores de ventiladores garantizan al comprador original como libres de defectos eléctricos y/o mecánicos por el tiempo en que estén en su posesión como dueño. Los interruptores activados por cadena, los interruptores de reversa, los capacitores y los acabados de metal se garantizan como libres de defectos materiales o de fabricación por el plazo de 1 año desde la fecha de compra. Las deformaciones de las aspas de madera o plástico no están cubiertas por esta garantía. Tampoco lo están la corrosión y/o deterioro del acabado de ventiladores instalados a menos de diez millas de cualquier costa del mar. Pudieran aplicarse garantías extendidas para productos que califiquen.

Los ventiladores de techo con fuentes de luz LED incorporadas, si han sido bien instalados y bajo condiciones normales de uso, se garantizan como libres de defectos materiales y de fabricación que puedan causar un fallo en el funcionamiento según las especificaciones de dichas fuentes de luz durante un periodo de (i) cinco (5) años a partir de la fecha de compra para los módulos de luz LED y componentes eléctricos de ventiladores usados en residencias unifamiliares y durante (ii) tres (3) años para ventiladores usados en residencias multifamiliares o en instalaciones comerciales. Las bombillas LED suministradas por sólo poseen la garantía del fabricante. Las bombillas que no sean LED no tienen garantía.

Con prueba de la compra, el comprador original puede devolver el ventilador defectuoso, para su reposición, al lugar donde lo compró, dentro de los 30 días siguientes a la compra.

Se excluyen cargos por mano de obra y envío. Esta garantía no cubre ningún costo ni cargo asociado a la mano de obra (incluyendo, pero sin limitarse a, los cargos del electricista) que se requiera para instalar, retirar o reponer un ventilador

o cualquiera de sus partes.

Esta garantía no cubre ninguna pérdida o daño resultante de (i) desgaste normal o alteración, mal uso, abuso o negligencia, o (ii) instalación, operación, reparación o mantenimiento incorrectos por el comprador original o un tercero, incluso sin limitación del suministro de tensión o sobrecarga de alimentación, uso de piezas o accesorios inadecuados, reparación no autorizada (realizada o intentada) o falta de mantenimiento al ventilador.

LAS GARANTÍAS ANTERIORES ESTABLECEN LA OBLIGACIÓN DE GARANTÍA TOTAL DE Y EL ÚNICO Y EXCLUSIVO REMEDIO DEL COMPRADOR ORIGINAL RELACIONADO CON DICHO PRODUCTO. NO ES RESPONSABLE POR NINGÚN DAÑO (SEAN INDIRECTOS, ESPECIALES, INCIDENTALES O CONSECUENTES) DEBIDO A FALLAS DEL PRODUCTO, YA SEAN DERIVADAS DE INCUMPLIMIENTO DE LA GARANTÍA O DEL CONTRATO, O DE CUALQUIER OTRA CAUSA. ESTA GARANTÍA SE OTORGA EN LUGAR DE TODAS LAS DEMÁS, YA SEAN EXPRESAS O IMPLÍCITAS, INCLUIDAS LAS GARANTÍAS DE COMERCIABILIDAD, IDONEIDAD PARA UN PROPÓSITO EN PARTICULAR O NO INFRACCIÓN.

Algunos estados no permiten limitaciones en la duración de una garantía implícita ni exclusión o limitaciones de daños incidentales o consecuentes, así que las exclusiones o limitaciones anteriores pudieran no aplicarse a su caso. Esta garantía otorga derechos específicos y es posible que usted tenga otros, que varían de estado a estado.

Normas de seguridad	1
Cómo desempacar el ventilador	2
Cómo instalar el ventilador	3
Cómo hacer las conexiones eléctricas	6
Cómo usar el ventilador	9
Cuidado del ventilador	10
Solución de problemas	10
Especificaciones	11

Tabla de contenido

LEE Y GUARDA ESTAS INSTRUCCIONES

1. Para disminuir el riesgo de descarga eléctrica, antes de comenzar la instalación asegúrate de que la electricidad ha sido cortada en el cortacircuitos o en la caja de fusibles.
2. Todo el cableado tiene que cumplir con el Código Nacional de Electricidad ANSI/NFPA 70-1999 y con los códigos locales de electricidad. La instalación eléctrica debe hacerse por un electricista calificado con licencia.
3. **PRECAUCIÓN:** Para reducir el riesgo de lesiones físicas, usa sólo los tornillos suministrados con la caja de distribución.
4. La caja eléctrica y estructura de soporte tienen que montarse de forma segura para poder sostener con confianza 35 lb (15.9 kg). Usar ya solo cajas eléctricas aprobadas por cUL y marcadas como “apropiadas para sostener ventiladores de 35 lb (15.9 kg) o menos.”
5. **PRECAUCIÓN:** El ventilador tiene que montarse con **al menos 7 pies (2.13 m) de separación** entre el borde de salida de las aspas y el piso.
6. No operar el interruptor de reversa mientras las aspas del ventilador estén en movimiento. El ventilador tiene que estar apagado y las aspas detenidas antes de invertir el sentido del movimiento.
7. Evita colocar objetos en la trayectoria de las aspas.
8. Para evitar lesiones personales o daños al ventilador y otros artículos, ten cuidado al limpiarlo o al trabajar cerca de él.
9. No usar agua ni detergentes para limpiar el ventilador o las aspas. Para limpiar, casi siempre será adecuado un paño seco o ligeramente humedecido con que quitar el polvo.
10. Después de concluir con las conexiones eléctricas, debes voltear los conductores empalmados hacia arriba y empujarlos con cuidado hacia dentro de la caja de distribución. Los cables deben estar separados, con el cable y el conductor a tierra del equipo hacia uno de los lados de la caja eléctrica y el conductor sin conexión a tierra hacia el lado opuesto.
11. Los diagramas eléctricos son sólo para referencia. Los kits de luces no empacados con el ventilador tienen que estar aprobados por cUL y marcados como apropiados para usar con el modelo de ventilador que estás instalando. Los interruptores tienen que estar clasificados de uso general por cUL. Para ensamblar bien, consulta las instrucciones adjuntas a los kits de luces e interruptores.
12. Antes de la instalación, todos los tornillos de fijación tienen que comprobarse y reajustarse donde sea necesario.
13. **ADVERTENCIA:** Para reducir el riesgo de incendio o descarga eléctrica, este ventilador sólo debe usar la pieza UC9031 (P2630) de control de velocidad fabricada por Rhine Electric Co., Ltd.
14. Apto para usar con dispositivo de estado sólido para control de velocidad.

ADVERTENCIA

PARA REDUCIR EL RIESGO DE INCENDIO, DESCARGA ELÉCTRICA O LESIONES PERSONALES, INSTALA SÓLO EN UNA CAJA ELÉCTRICA CLASIFICADA COMO “APROPIADA PARA SOSTENER VENTILADORES DE 35 LB (15.9 KG) O MENOS”, Y USA SÓLO LOS TORNILLOS INCLUIDOS CON LA CAJA ELÉCTRICA.

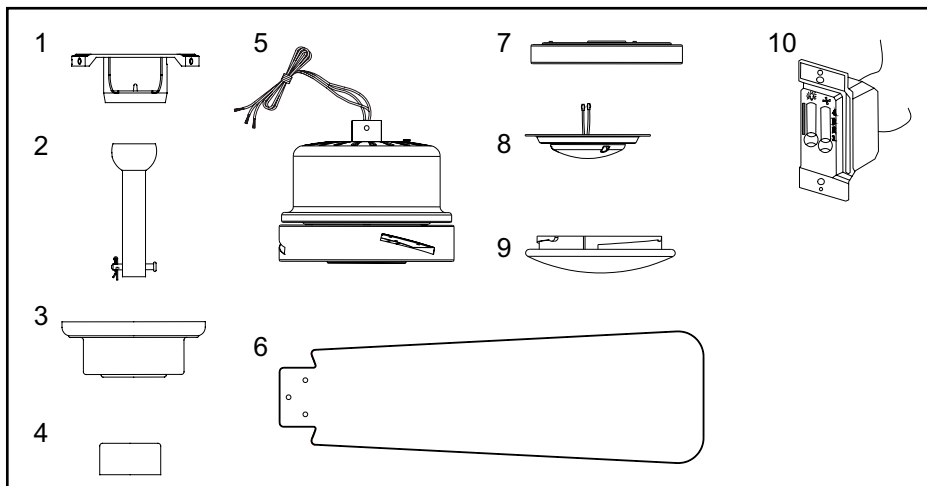
ADVERTENCIA

PARA REDUCIR EL RIESGO DE LESIONES PERSONALES, NO DOBLES LOS BRAZOS DE LAS ASPAS (TAMBIÉN LLAMADOS “REBORDES”) NI DURANTE NI DESPUÉS DE LA INSTALACIÓN. NO COLOCAR OBJETOS EN LA TRAYECTORIA DE LAS ASPAS.

ADVERTENCIA

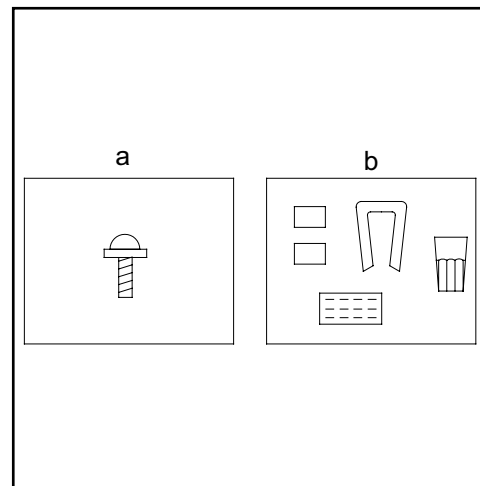
PARA REDUCIR EL RIESGO DE DESCARGA ELÉCTRICA, ESTE VENTILADOR TIENE QUE INSTALARSE CON UN CONTROL/INTERRUPTOR DE AISLAMIENTO.

1. Normas de seguridad



Desempaca tu ventilador y revisa el contenido. Debes tener los siguientes artículos:

1. Soporte de montaje (dentro de la cubierta)
2. Conjunto de tubo bajante/esfera de 11.4 cm (Pasadores de soporte y de cierre prefijados)
3. Cubierta con aro de cubierta (acoplado)
4. Cubierta decorativa del collarín del motor
5. Conjunto del motor del ventilador
6. Aspas (3)
7. Carcasa del kit de luces
8. Conjunto del soporte del kit de luces
9. Pantalla de vidrio
10. Control de pared

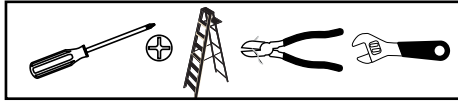


- a. **Herrajes de montaje de aspas**
(10 tornillos)
- b. **Herrajes eléctricos y kit de compensación**
(3 conectores plásticos de cables, kit de compensación de aspas).

2. Cómo desempacar el ventilador

Herramientas necesarias

Destornillador Phillips o de punta plana, llave ajustable, escalera de tijera y cortacables.



Opciones de montaje

Si no hay una caja eléctrica presente, lee las siguientes instrucciones. **Desconecta la corriente eléctrica retirando los fusibles o apagando los cortacircuitos.**

Asegura la caja eléctrica directamente a la estructura de la edificación. Usa sujetadores y materiales de construcción apropiados. La caja eléctrica y su soporte tienen que poder sostener todo el peso en movimiento del ventilador (al menos 35 lb = 15.9 kg).

No uses cajas eléctricas de plástico.

ADVERTENCIA

PARA REDUCIR EL RIESGO DE INCENDIO, DESCARGA ELÉCTRICA U OTRAS LESIONES, INSTALA SÓLO EN UNA CAJA ELÉCTRICA CLASIFICADA COMO "APROPIADA PARA SOSTENER VENTILADORES DE 35 LB (15.9 KG). (15.9 KG) O MENOS", Y USA SÓLO LOS TORNILLOS INCLUIDOS CON LA CAJA ELÉCTRICA. LAS CAJAS ELÉCTRICAS UTILIZADAS COMÚNMENTE PARA EL SOPORTE DE ARTÍCULOS DE ILUMINACIÓN PUEDEN NO SERVIR COMO UN SOPORTE DE VENTILADOR, Y TAL VEZ DEBAN REEMPLAZARSE. EN CASO DE DUDA, CONSULTA A UN ELECTRICISTA CALIFICADO.

Las figuras 1, 2 y 3 ejemplifican diferentes maneras de montar la caja eléctrica.

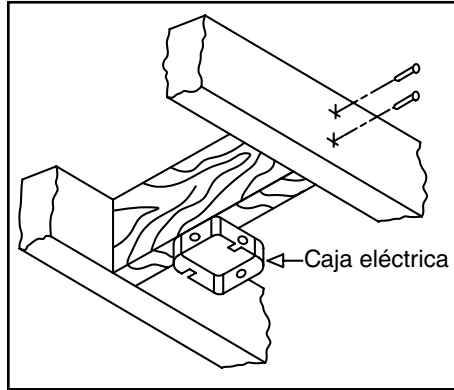


Figura 1

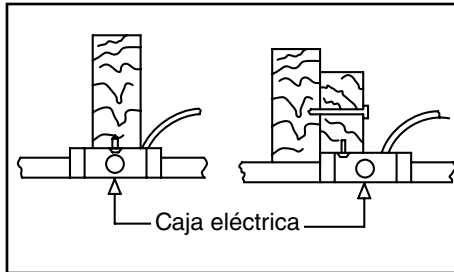


Figura 2

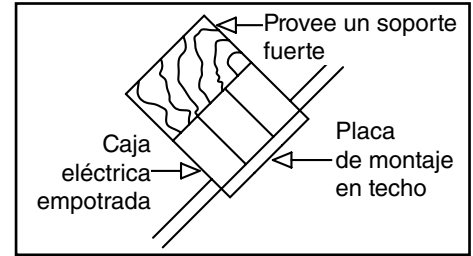


Figura 3

Nota: Tal vez necesites un tubo bajante más largo para mantener la altura mínima adecuada de las aspas al instalar el ventilador en un techo de inclinación pronunciada. Ángulo máximo permitido: 30°

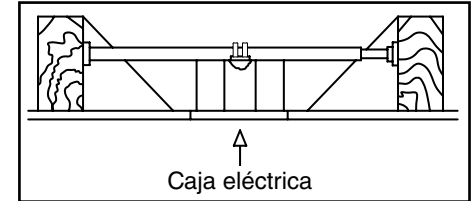


Figura 4

Para colgar el ventilador donde haya una lámpara, pero ninguna viga de techo, tal vez necesites una barra colgante de instalación como se muestra en la Figura 4.

3. Cómo instalar el ventilador

Cómo colgar el ventilador

RECUERDA cortar el suministro de electricidad. Sigue los pasos más abajo para colgar correctamente tu ventilador.

NOTA: Se recomienda instalar este ventilador en techo interior estándar usando el tubo bajante incluido. En la instalación estándar de techo con el tubo bajante de 4.5 plg [11.4 cm] suministrado, la distancia desde el techo a la parte inferior de las aspas será de unas 12.9 plg [32.7cm].

MONTAJE ESTÁNDAR EN CIELO RASO

1. Retira el aro de la cubierta, girándolo a la derecha hasta que se libere. (Figura 5)
2. Retira la placa de montaje de la cubierta aflojando los cuatro tornillos de su parte superior. Quitá los dos tornillos sin ranura y afloja los tornillos ranurados. Esto te permitirá retirar la placa de montaje. (Figura 6)
3. Retira los pasadores de soporte y de cierre en el conjunto del tubo bajante.
4. Inserta los cables que salen por la parte superior del motor del ventilador, a través de la cubierta decorativa del collarín del motor y enseguida por el aro de la cubierta. Asegúrate de que las ranuras queden en la parte superior. Inserta los cables a través de la cubierta y enseguida a través del conjunto del tubo bajante y esfera. (Figura 7)
5. Afloja, sin quitarlos, los tornillos de fijación en el collarín de la parte superior de la carcasa de motor.

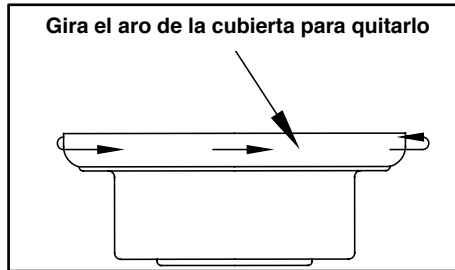


Figura 5

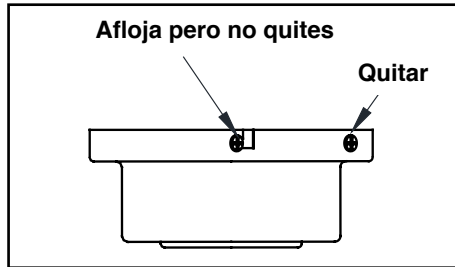


Figura 6

6. Alinea los orificios en la parte inferior del tubo bajante con aquellos del collarín en la parte superior de la carcasa de motor. (Figura 7) Inserta con cuidado el pasador de soporte a través de los orificios del collarín y del tubo bajante. Ten cuidado de no apretar contra el cableado dentro del tubo bajante. Inserta el pasador de cierre en el orificio cercano al extremo del pasador de soporte hasta que quede encajada en su posición como se muestra en el círculo de la Figura 7.
7. Vuelve a apretar los tornillos del collarín del motor en la parte superior de su carcasa.

8. Asegúrate de que el ojal quede instalado correctamente en la cubierta del collarín y desliza enseguida la cubierta del collarín por el tubo bajante hasta quedar sobre la carcasa del motor. Asegúrate de que tanto la cubierta como la cubierta del collarín estén orientadas correctamente.
9. Pasa a la sección "Cómo instalar el ventilador".

ADVERTENCIA

SI NO INSTALAS BIEN LOS TORNILLOS DE FIJACIÓN, COMO SE INDICA EN EL PASO 7, PUEDEN AFLOJARSE Y POSIBLEMENTE SE CAERÁ EL VENTILADOR.

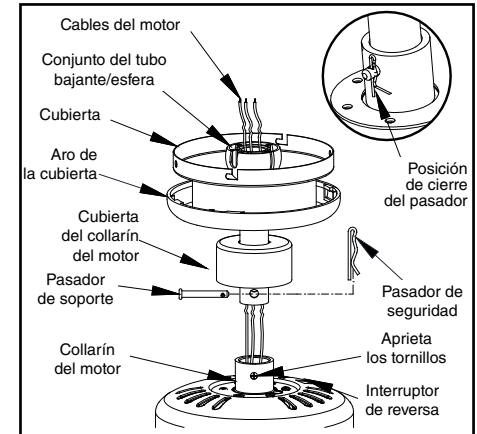


Figura 7

Cómo instalar el ventilador en la caja eléctrica

PRECAUCIÓN

CUANDO MONTES EL VENTILADOR EN UN TECHO INCLINADO, DEBES USAR EL MÉTODO DE MONTAJE CON TUBO BAJANTE-ESFERA ESTÁNDAR. LA PLACA DE MONTAJE DEBE ESTAR INSTALADA DE MANERA TAL QUE LAS ABERTURAS EN FORMA DE RANURA QUEDEN EN EL LADO INFERIOR, DESLIZANDO LA PLACA DE MONTAJE DESDE LA PARTE SUPERIOR HACIA ABAJO.

1. Pasa los cables de suministro de 120 V a través del orificio central de la placa de montaje del techo, como se muestra en la Figura 8.
2. Instala el soporte de montaje de techo sobre la caja eléctrica, con los tornillos de montaje incluidos. Fíjate que el lado plano de la placa de montaje esté orientado hacia la caja eléctrica. (Figura 8)
3. Aprieta bien los dos tornillos en la caja eléctrica.
4. Con cuidado alza el conjunto del ventilador hasta la placa de montaje en el techo. Asegúrate de que la pestaña sobre la placa de montaje encaje bien en la ranura de la esfera de soporte. (Figura 9)

ADVERTENCIA

EN EL MONTAJE ESTÁNDAR DE TUBO BAJANTE Y ESFERA, LA PESTAÑA EN EL ARO DE LA PARTE INFERIOR DEL SOPORTE DE MONTAJE TIENE QUE ENCAJAR EN LA RANURA DE LA ESFERA DE SOPORTE. NO ENCAJAR BIEN LA PESTAÑA EN LA RANURA PUDIERA DAÑAR EL CABLEADO.

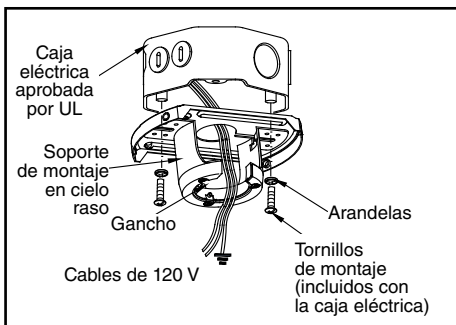


Figura 8

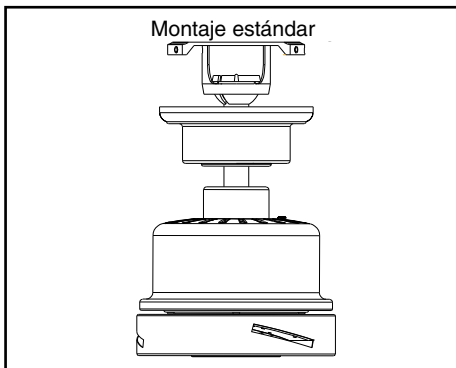


Figura 9

Cómo hacer las conexiones eléctricas

RECUERDA cortar el suministro de electricidad. Si crees que no tienes suficiente experiencia o conocimientos en cableado eléctrico, contrata a un electricista con licencia para que instale el ventilador.

Sigue estos pasos para conectar tu ventilador al circuito de tu hogar. Usa los conectores de cable incluidos con tu ventilador. Asegura los conectores con cinta aislante. Asegúrate de que no existan conexiones o cables sueltos. (Figura 10)

1. Después de cortar el suministro eléctrico en la caja de fusibles o el panel del cortacircuitos, quita la placa de pared y el interruptor existentes.
2. Procede a conectar los cables de la forma siguiente [asegúrate de que los interruptores deslizantes de la luz y el ventilador en el control de pared estén en la posición de APAGADO (OFF)]: conecta el cable de color **negro** entero del control de pared al cable **azul** del ventilador. Conecta el cable **rojo o azul** del control de pared al cable **negro** del ventilador. Conecta el cable **negro con franjas blancas** del control de pared con el cable positivo de 120 V de CA. Usa los conectores de cable incluidos para asegurar las conexiones.

Si tu caja eléctrica tiene un cable a tierra (verde o de cobre pelado), conéctale el cable a tierra del transmisor de pared; de lo contrario, conecta el cable a tierra del transmisor de pared directamente en uno de los tornillos de la caja eléctrica.

3. Asegura el control de pared UC9031 (P2630) a la caja eléctrica con los dos tornillos de 6-32" x 3/4" incluidos.
4. Asegura la placa frontal sobre el control de pared con los dos tornillos de 6-32" x 1/4" incluidos.

NOTA: Consulta el esquema en la parte posterior del control de pared.

NOTA

LA INSTALACIÓN DE ESTE CONTROL DE PARED REQUIERE QUE EL CABLE DE TRES CONDUCTORES CON CABLE A TIERRA SE PASE ENTRE LA CAJA DEL CONTROL DE PARED Y LA CAJA ELÉCTRICA DEL VENTILADOR DE TECHO.

ADVERTENCIA

CADA TUERCA DEL CABLE (CONECTOR DE CABLE) INCLUIDA CON ESTE VENTILADOR ESTÁ DISEÑADA PARA ACEPTAR UN CABLE DOMÉSTICO DE CALIBRE 12 COMO MÁXIMO Y DOS CABLES DEL VENTILADOR. SI TIENES UN CABLEADO DOMÉSTICO DE CALIBRE SUPERIOR A 12 O MÁS DE UN CABLE DOMÉSTICO PARA CONECTAR EL CABLEADO DEL VENTILADOR, CONSULTA A UN ELECTRICISTA PARA EL TAMAÑO ADECUADO DE LAS TUERCAS DE CABLE.

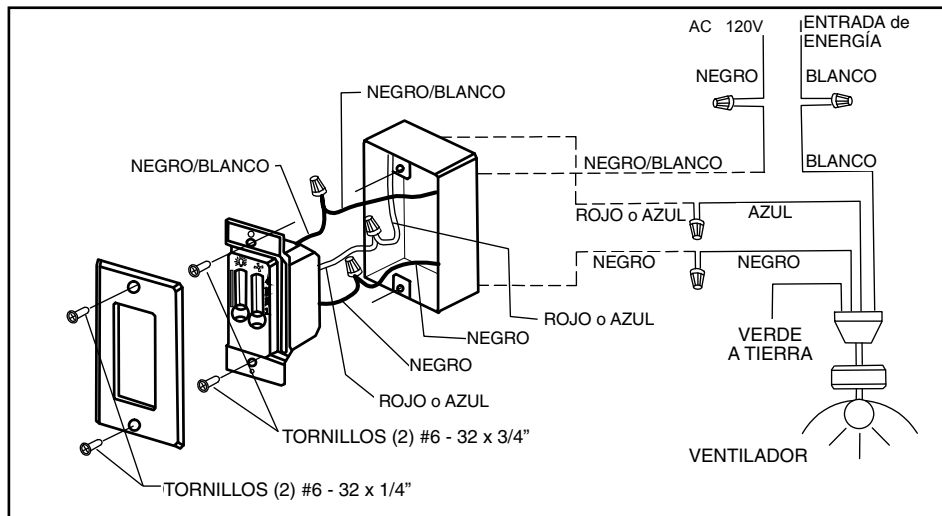


Figura 10

Cómo finalizar la instalación del ventilador

MONTAJE ESTÁNDAR EN CIELO RASO

ADVERTENCIA

EN EL MONTAJE ESTÁNDAR DE TUBO BAJANTE Y ESFERA, LA PESTAÑA EN EL ARO DE LA PARTE INFERIOR DE LA PLACA DE MONTAJE TIENE QUE ENCAJAR EN LA RANURA DE LA ESFERA DE SOPORTE. SI NO ENCAJA BIEN LA PESTAÑA EN LA RANURA, PUEDE DAÑARSE EL CABLEADO.

1. Alinea las ranuras de cierre de la cubierta de techo con los dos tornillos de la placa de montaje. Empuja hacia arriba para enganchar las ranuras y gira de izquierda a derecha para asegurarlas en su lugar. Inmediatamente aprieta con firmeza los dos tornillos de montaje.
2. Instala los dos tornillos de montaje restantes en los orificios de la cubierta y apriétalos firmemente.
3. Instala el aro de la cubierta decorativa alineando las ranuras del aro con los tornillos en la cubierta. Rota el aro hacia la izquierda para fijarlo en su lugar.
4. Ahora puedes proceder a fijar las aspas del ventilador.

Cómo fijar las aspas del ventilador

1. Inserta el asa en la abertura del centro del volante, alinea los tres orificios para tornillo en el asa con sus correspondientes en el volante y asegura con los tornillos incluidos. (Figura 11)
2. Repite el procedimiento para las aspas restantes.

Cómo equilibrar las aspas

Todas las aspas se agrupan por peso. Puesto que las maderas naturales varían en densidad, el ventilador puede oscilar aunque las aspas tengan el mismo peso.

El siguiente procedimiento corregirá en gran medida la oscilación del ventilador. Verifica después de cada paso.

1. Verifica que todos los tornillos de las aspas estén asegurados.
2. La mayoría de los problemas de oscilación del ventilador se deben a que las aspas no están al mismo nivel. Verifica este nivel seleccionando un punto en el cielo raso sobre la punta de una de las aspas. Mide desde un punto en el centro de cada asa al punto en el techo. Mide esta distancia como se muestra en la Figura 12. Gira el ventilador hasta que la siguiente asa quede en posición para medir. Repite el procedimiento para cada asa. Las desviaciones de la medición no deben pasar de 1/8" (3.2 mm). Deja que el ventilador funcione por 10 minutos.

3. Asegúrate de que la cubierta esté bien fijada al soporte de montaje en el techo y de que este último esté bien fijado a la caja eléctrica.
4. Intercambiar dos aspas adyacentes puede redistribuir el peso y posiblemente mejorar el funcionamiento.
5. Usa el kit de compensación de aspas adjunto si sigues notando oscilación.

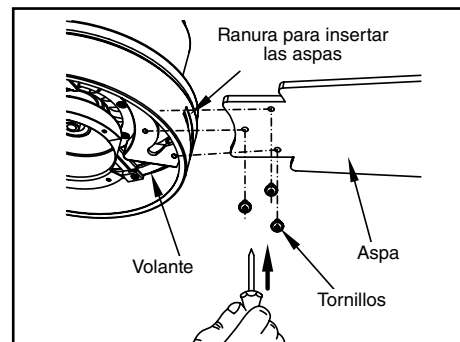


Figura 11

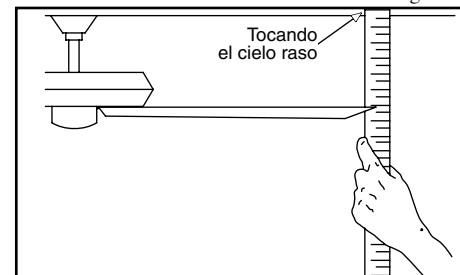


Figura 12

Cómo instalar el kit de luces y la pantalla de vidrio

PRECAUCIÓN - Para reducir el riesgo de descarga eléctrica, desconecta el circuito eléctrico de alimentación al ventilador antes de instalar el kit de luces.

NOTA

EL VIDRIO ES FRÁGIL; TEN CUIDADO AL INSTALAR EL KIT DE LUCES Y LA PANTALLA DE VIDRIO.

1. Afloja, pero no quites, dos de los tres tornillos de montaje del conjunto motor-ventilador; retira un tornillo de montaje (Figura 13).
2. Empuja la carcasa del kit de luces hasta el conjunto motor-ventilador de manera que las cabezas de los dos tornillos aflojados encajen en las ranuras tipo ojo de cerradura. Gira la carcasa del kit de luces hacia la derecha y aprieta los tornillos. Vuelve a instalar el tornillo que retiraste en el paso 1 y apriétalo firmemente (Figura 13).
3. Quita un tornillo de la carcasa del kit de luces y afloja, pero no quites, los otros dos. Conecta los cables del conjunto del kit de luces a los cables del conjunto motor-ventilador uniendo los enchufes del adaptador moldeado. Coloca con cuidado todos los cables y empalmes dentro de la caja del interruptor. (Figura 14)
4. Empuja el conjunto del kit de luces hacia arriba de manera que las cabezas de los dos tornillos aflojados encajen en las ranuras tipo ojo de cerradura. Gira el conjunto del kit de

luces hacia la derecha y aprieta los tornillos. Vuelve a instalar el tornillo que retiraste en el paso 3 y apriétalo firmemente. (Figura 15)

5. Coloca la pantalla de vidrio dentro de la carcasa kit de luces alineando las tres áreas planas en la parte superior de la pantalla con las tres muescas salientes en la carcasa. Gira la pantalla de vidrio de izquierda a derecha hasta que se detenga. (Figura 15)

NOTA

COMPROBAR PERIÓDICAMENTE SI LA PANTALLA ESTÁ BIEN ASENTADA HACIA LA DERECHA EN EL CONJUNTO ENSAMBLADO DE LA CARCASA DEL KIT DE LUCES

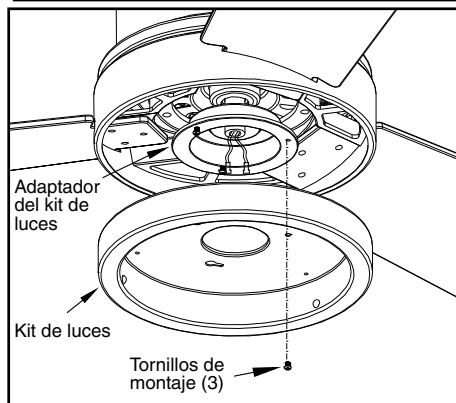


Figura 13

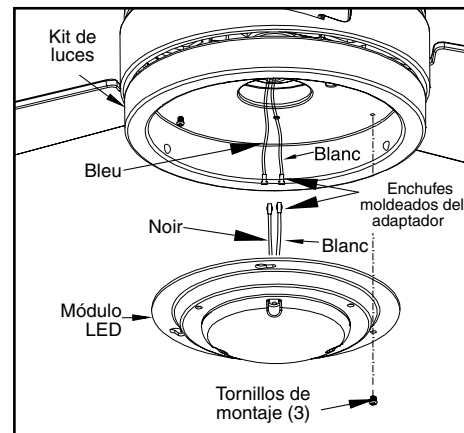


Figura 14

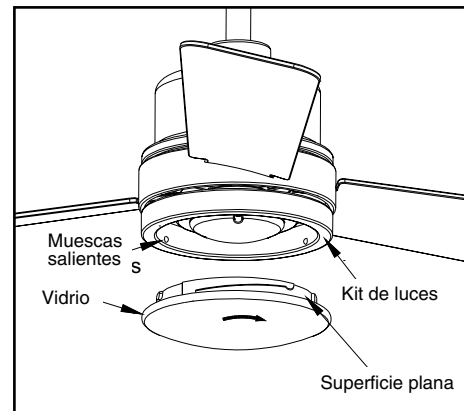


Figura 15

Las configuraciones de velocidad para clima cálido o frío dependen de factores como el tamaño de la habitación, la altura del techo, la cantidad de ventiladores y otras.

Este ventilador se envía desde la fábrica con el interruptor de reversa en posición de hacer circular el aire hacia abajo. Si deseas encauzar el flujo de aire en sentido contrario, apaga el ventilador y espera a que las aspas se detengan; enseguida desliza el interruptor de reversa (ubicado en la caja de interruptores, consulta la Figura 7 de la página 4) hacia la dirección opuesta y a continuación vuelve a encender el ventilador. Las aspas del ventilador girarán en sentido contrario e invertirán el flujo del aire.

Clima cálido - (Hacia adelante) Un flujo de aire hacia abajo surte efecto refrescante, como se muestra en la Figura 16. Esto permite fijar tu aire acondicionado en configuración más alta sin afectar tu comodidad.

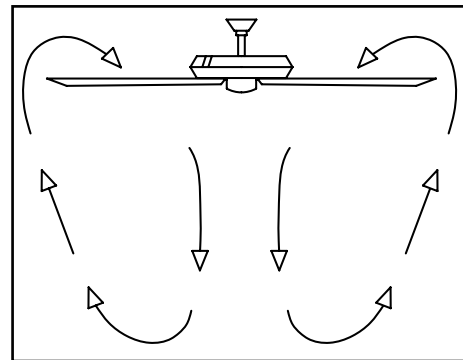


Figura 16

Clima frío - (Reversa) Un flujo de aire hacia arriba desplaza el aire cálido lejos del techo, como se muestra en la Figura 17. Esto permite fijar tu unidad de calefacción en configuración más baja sin afectar tu comodidad.

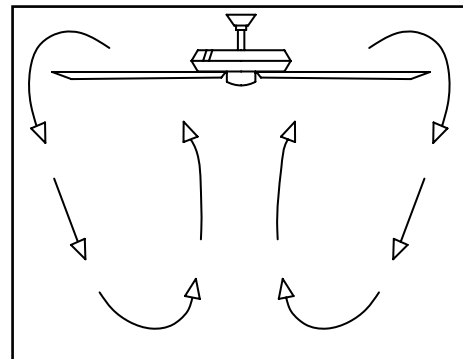


Figura 17

9. Cómo usar el ventilador

Cuidado del ventilador

Aquí tienes algunas sugerencias para dar mantenimiento a tu ventilador.

1. Debido al movimiento natural del ventilador, algunas conexiones pueden aflojarse. **Revisa las conexiones de soporte, los soportes y los accesorios de aspas dos veces al año.** Comprueba que estén seguros. **(No es necesario desmontar el ventilador del techo).**
2. Hay que limpiar el ventilador con frecuencia para que luzca como nuevo al paso de los años. No uses agua al limpiar; esto puede dañar el motor o la madera e incluso provocar descargas eléctricas. Usa sólo un cepillo suave o un paño sin pelusas para evitar arañar el acabado. El revestimiento está sellado con laca para minimizar la decoloración u opacidad. **Advertencia - Asegura que la electricidad esté cortada antes de limpiar tu ventilador.**
3. Puedes aplicar a la madera una fina capa de pulimento de muebles para dar mayor protección y más belleza. Cubre los arañazos pequeños con una leve aplicación de lustrador para calzado.
4. **Tu ventilador no necesita lubricación.** El motor tiene cojinetes de bola sellados y permanentemente lubricados.

Solución de problemas

Problema

El ventilador no enciende

El ventilador hace ruido

Solución

1. Verifica los fusibles o disyuntores principales y secundarios.
2. Verifica las conexiones de cables en línea al ventilador y de cables del interruptor en la caja de interruptores. **PRECAUCIÓN: Asegúrate de que la fuente principal de electricidad esté apagada.**
1. Asegúrate de que los tornillos de la carcasa del motor estén bien ajustados.
2. Asegúrate de que los tornillos que unen el soporte de aspa al cuerpo del motor estén bien ajustados.
3. Asegúrate de que las conexiones de tuerca de cable no choquen unas con otras ni con la pared interior de la caja del interruptor. **PRECAUCIÓN: Asegúrate de que la electricidad esté cortada.**
4. Deja que transcurra un período de “adaptación” de 24 horas. La mayoría de los ruidos asociados a un ventilador nuevo desaparecen en ese período.
5. Asegúrate de que la cubierta esté a corta distancia del techo. No debe tocar el techo.
6. Asegúrate de que tu caja eléctrica esté bien segura y de que se hayan instalado almohadillas aislantes de goma entre el soporte de montaje y la caja de distribución.

ADVERTENCIA

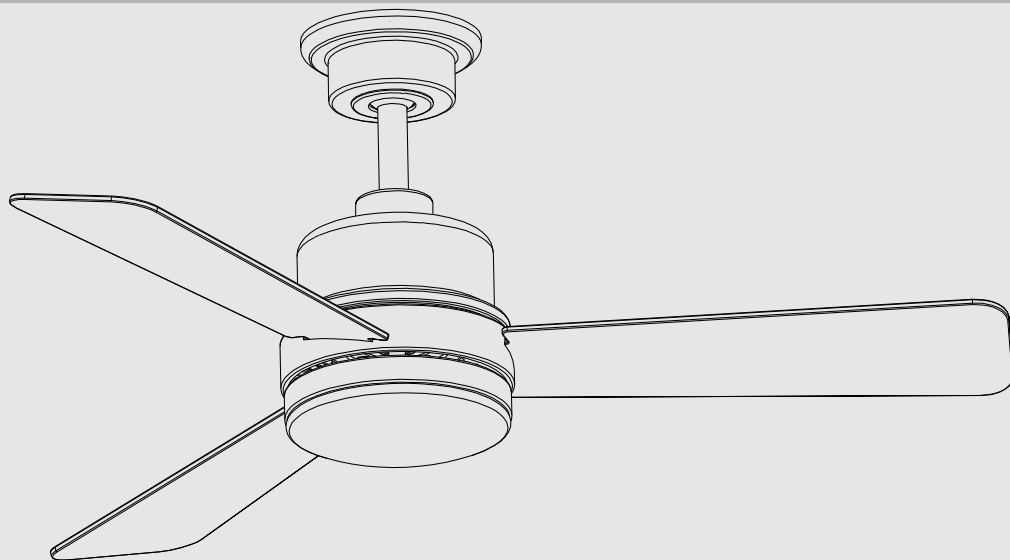
ASEGÚRATE DE QUE NO HAYA CORRIENTE EN EL PANEL DE ELÉCTRICO ANTES DE INTENTAR HACER REPARACIONES. CONSULTA LA SECCIÓN “CÓMO HACER CONEXIONES ELÉCTRICAS”.

10. Cuidado del ventilador y solución de problemas

TAMAÑO DEL VENTILADOR	VELOCIDAD	VOLTIOS (V)	POTENCIA DEL VENTILADOR CONSUMO (SIN LUCES) VATIOS (W)	FLUJO DE AIRE CFM	EFICIENCIA DE FLUJO DE AIRE (MÁS ALTO ES MEJOR) CFM/W	PESO NETO	PESO BRUTO	PIES ³
52" (1.32 m)	Baja	120	9	1999	222	14.77 Lb	16.54 Lb	1.43
	Alta		42	4306	103			

11. Especificaciones

Guide d'installation du ventilateur de plafond



Garantie à vie limitée

garantit à l'acheteur original que ses moteurs de ventilateur sont exempts de tout défaut de fabrication et de matériaux pour aussi longtemps qu'il possède le ventilateur. Les interrupteurs à chaîne (tirette), les commutateurs d'inversion, les condensateurs et les finis en métal sont garantis exempts de tout défaut de matériaux ou de fabrication pendant une période d'un an à compter de la date d'achat. La déformation des pales en bois ou plastique n'est pas couverte par la présente garantie, ni ne sont la corrosion ou toute détérioration des finis pour les ventilateurs installés à moins de 16 km d'une côte. Certaines garanties prolongées peuvent couvrir les produits homologués

Les ventilateurs de plafond de avec sources de lumière à DEL intégrées, s'ils sont installés correctement et dans des conditions normales d'utilisation, sont garantis contre les défauts de matériaux et de fabrication qui les empêchent les sources de lumière de fonctionner conformément aux spécifications pendant (i) cinq (5) ans à compter de la date d'achat pour les modules d'éclairage à DEL et les composants électriques des ventilateurs utilisés dans les résidences unifamiliales et (ii) trois (3) ans à compter de la date d'achat pour les modules d'éclairage à DEL et les composants électriques des ventilateurs utilisés dans les applications multifamiliales ou commerciales. Les ampoules DEL fournies par ne sont couvertes par aucune garantie autre que la garantie du fabricant. Les ampoules non DEL ne sont couvertes par aucune garantie.

L'acheteur original peut retourner le ventilateur défectueux au lieu d'achat avec une preuve d'achat pendant les 30 premiers jours pour obtenir un remplacement.

Les frais de main d'œuvre et d'expédition sont exclus. La présente garantie ne couvre pas les coûts ou frais associés à la main d'œuvre (y compris, sans s'y limiter, les honoraires de l'électricien) requise pour installer, retirer ou remplacer le ventilateur ou des pièces quelconques du ventilateur.

Cette garantie ne s'applique pas à toute perte ou tout dommage résultant de (i) une usure ou altération normale, un mauvais usage, un usage abusif ou la négligence, ou (ii) une installation, une utilisation, une réparation ou un entretien incorrect(e) par l'acheteur original ou une tierce partie, y compris mais sans s'y limiter, une tension incorrecte ou une surcharge, l'utilisation des mauvais(e)s pièces ou accessoires, une réparation non autorisée (effectuée ou tentée), ou un manque d'entretien du ventilateur.

LES GARANTIES CI-DESSUS ÉTABLISSENT L'OBLIGATION TOTALE DE ET LE SEUL ET UNIQUE RECOURS DE L'ACHETEUR ORIGINAL EN VERTU DESDITES GARANTIES, CONCERNANT TELS PRODUITS. N'EST PAS TENUE RESPONSABLE DES DOMMAGES (Y COMPRIS LES DOMMAGES INDIRECTS, SPÉCIAUX OU ACCESSOIRES) RÉSULTANT D'UNE DÉFAILLANCE DU PRODUIT, EN RAISON D'UNE VIOLATION DE GARANTIE, D'UNE RUPTURE DE CONTRAT OU AUTRE. LA PRÉSENTE GARANTIE REMPLACE TOUTES LES AUTRES GARANTIES, EXPRESSES OU IMPLICITES, Y COMPRIS LES GARANTIES IMPLICITES DE QUALITÉ MARCHANDE ET D'APTITUDE À UN USAGE PARTICULIER OU RELATIVES À L'ABSENCE DE CONTREFAÇON.

Certains états et provinces ne permettent pas les restrictions quant à la durée d'une garantie implicite, ni l'exclusion ou la restriction des dommages indirects ou accessoires. Par conséquent, les restrictions et les exclusions mentionnées ci-dessus peuvent ne pas s'appliquer à votre cas. En vertu de la présente garantie, vous bénéficiez de droits juridiques particuliers; toutefois, d'autres droits peuvent s'appliquer, selon l'état ou la province où vous résidez.

Règles de sécurité	1
Déballage du ventilateur	2
Installation du ventilateur	3
Effectuer les connexions électriques	6
Utilisation du ventilateur	9
Entretien du ventilateur	10
Dépannage	10
Caractéristiques	11

Table des matières

VEUILLEZ LIRE ET CONSERVER CES INSTRUCTIONS

1. Pour réduire les risques de choc électrique, assurez-vous que le courant est coupé au niveau de la boîte de disjoncteurs ou de fusibles avant de procéder à l'installation.
2. Tout le câblage doit être effectué conformément au code national de l'électricité des États-Unis ANSI/NFPA 70-1999 et aux codes électriques locaux. L'installation électrique doit être effectuée par un électricien qualifié accrédité.
3. **ATTENTION** : Pour réduire les risques de blessures, n'utilisez que les vis fournies avec le coffret électrique.
4. La boîte de sortie de courant et la structure de support doivent être solidement fixées et capables de supporter de manière sûre un minimum de 15,9 kg (35 lb). Utilisez uniquement des boîtes de sortie de courant homologuées cUL et portant la mention « Capable de supporter un ventilateur de 15,9 kg (35 lb) ou moins ».
5. **ATTENTION** : Le ventilateur doit être installé avec une **distance minimale de 2,13 m** entre le bas des pales et le sol.
6. N'activez pas l'interrupteur d'inversion lorsque les pales sont en mouvement. Le ventilateur doit être éteint et les pales immobiles avant d'inverser le sens de rotation des pales.
7. Ne pas placer d'objets dans la trajectoire des pales.
8. Pour éviter les blessures ou éviter d'endommager le ventilateur ou d'autres objets, faites preuve de prudence en travaillant près du ventilateur ou en le nettoyant.
9. N'utilisez ni eau ni détergents pour nettoyer le ventilateur ou les pales du ventilateur. Un chiffon à poussière ou un linge légèrement humide conviennent en général pour le nettoyage.
10. Après avoir effectué les branchements électriques, retournez les conducteurs épissés vers le haut et insérez-les soigneusement dans le coffret électrique. Les fils doivent être écartés de façon à ce que le conducteur mis à la terre et le conducteur de mise à la terre de l'équipement soient d'un même côté du coffret électrique et le conducteur non mis à la terre de l'autre côté du coffret électrique.
11. Les schémas électriques sont fournis à titre indicatif seulement. Les luminaires qui ne sont pas emballés avec le ventilateur doivent être homologués cUL et porter une mention spécifiant qu'ils peuvent être utilisés avec ce type de ventilateur. Les interrupteurs doivent être homologués cUL pour usage général. Consultez les instructions fournies avec les luminaires et les interrupteurs pour un assemblage approprié.
12. Toutes les vis de pression doivent être vérifiées et resserrées au besoin avant l'installation.
13. **AVERTISSEMENT** : Pour réduire les risques d'incendie ou de choc électrique, ce ventilateur ne devrait être utilisé qu'avec le dispositif de contrôle de la vitesse, pièce n° UC9031 (P2630), fabriqué par Rhine Electronic Co., Ltd.
14. Convient à une utilisation avec les dispositifs de contrôle de la vitesse transistorisés.

AVERTISSEMENT

POUR RÉDUIRE LES RISQUES D'INCENDIE, DE CHOC ÉLECTRIQUE OU DE BLESSURE, INSTALLEZ SUR UNE BOÎTE DE SORTIE DE COURANT PORTANT LA MENTION « CAPABLE DE SUPPORTER UN VENTILATEUR DE 15,9 KG (35 LB) OU MOINS » ET UTILISEZ LES VIS FOURNIES AVEC LA BOÎTE DE SORTIE DE COURANT.

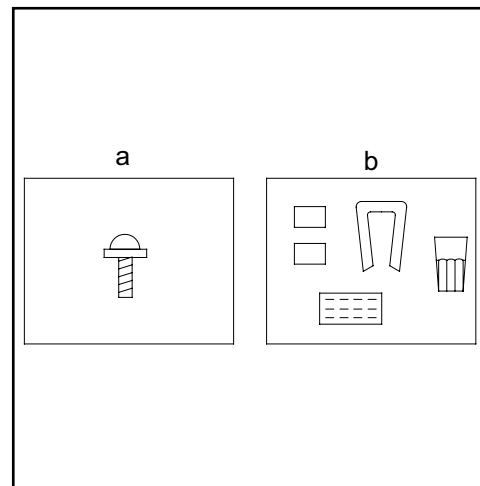
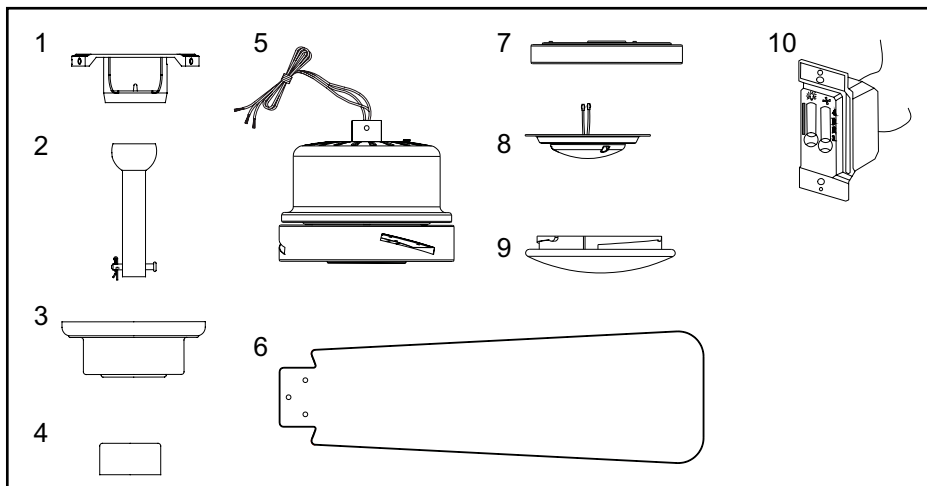
AVERTISSEMENT

POUR RÉDUIRE LES RISQUES DE BLESSURE, NE PLIEZ PAS LES SUPPORTS DE PALES (AUSSI APPELÉS « BRIDES ») PENDANT L'ASSEMBLAGE OU APRÈS L'INSTALLATION. NE PLACEZ PAS D'OBJETS DANS LA TRAJECTOIRE DES PALES.

AVERTISSEMENT

POUR RÉDUIRE LE RISQUE DE CHOC ÉLECTRIQUE, CE VENTILATEUR DOIT ÊTRE INSTALLÉ AVEC UN INTERRUPTEUR/UNE COMMANDE ISOLÉ(E).

1. Règles de sécurité



Déballer votre ventilateur et vérifier le contenu de l'emballage. Les articles suivants devraient s'y trouver :

- | | | |
|---|----------------------------|---|
| 1. Traverse (à l'intérieur de la monture) | 5. Moteur du ventilateur | a. Quincaillerie de fixation des pales
(10 vis) |
| 2. Ensemble boule/tige de suspension de 11,43 cm (goupille de suspension et goupille de verrouillage préfixées) | 6. Pales (3) | b. Quincaillerie électrique et trousse d'équilibrage
(3 capuchons de connexion en plastique, 1 trousse d'équilibrage des pales) |
| 3. Monture avec anneau de monture (fixé) | 7. Bac de luminaire | |
| 4. Couvercle décoratif du collet du moteur | 8. Adaptateur de luminaire | |
| | 9. Abat-jour en verre | |
| | 10. Commande murale | |

2. Déballage du ventilateur

Outils requis

Tournevis cruciforme ou à empreinte fendue, clé à molette, escabeau et coupe-fils.



Options d'installation

Si un coffret électrique n'est pas déjà installé, lisez les instructions suivantes. **Coupez l'alimentation électrique en retirant les fusibles ou débranchant les disjoncteurs.**

Fixez le coffret électrique directement à la structure du bâtiment. Utilisez les pièces de fixation et les matériaux de construction appropriés. Le coffret électrique et son support doivent être en mesure de supporter le plein poids du ventilateur en mouvement (soit au moins 15,9 kg [35 lb]).

N'utilisez pas de coffrets électriques en plastique.

AVERTISSEMENT

POUR RÉDUIRE LES RISQUES D'INCENDIE, DE CHOC ÉLECTRIQUE OU DE BLESSURE, INSTALLEZ SUR UNE BOÎTE DE SORTIE DE COURANT PORTANT LA MENTION « CAPABLE DE SUPPORTER UN VENTILATEUR DE 15,9 KG (35 LB) OU MOINS » ET UTILISEZ LES VIS FOURNIES AVEC LA BOÎTE DE SORTIE DE COURANT. IL SE PEUT QUE LES COFFRETS ÉLECTRIQUES UTILISÉS COURAMMENT POUR LE SUPPORT DE LUMINAIRES NE CONVIENNENT PAS AUX VENTILATEURS ET PEUVENT DEVOIR ÊTRE REMPLACÉS. EN CAS DE DOUTE, CONSULTEZ UN ÉLECTRICIEN QUALIFIÉ.

Les Figures 1, 2 et 3 illustrent les différentes façons d'installer le coffret électrique.

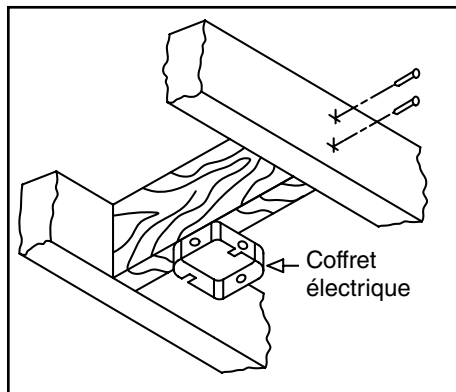


Figure 1

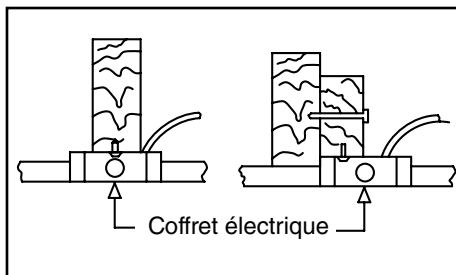


Figure 2

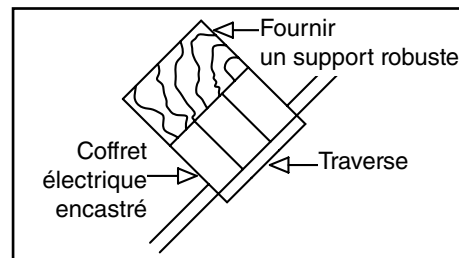


Figure 3

Remarque : Une tige de suspension plus longue peut s'avérer nécessaire pour maintenir une distance correcte entre les pales et le plafond dans le cas d'une installation sur un plafond présentant une forte pente. L'angle maximal permis est de 30°.

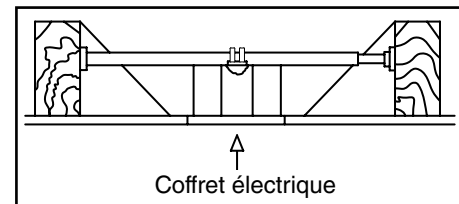


Figure 4

Pour suspendre le ventilateur là où il y a déjà un luminaire mais pas de solive, utilisez une barre de suspension comme illustré à la Figure 4.

3. Installation du ventilateur

Suspension du ventilateur

N'OUBLIEZ PAS de couper l'alimentation électrique. Suivez les étapes suivantes pour suspendre le ventilateur correctement.

REMARQUE : Ce ventilateur est recommandé pour une installation au plafond normale à l'aide de la tige de suspension fournie avec le ventilateur. Pour une installation au plafond normale avec la tige de suspension de 11,43 cm, l'espace entre le plafond et le bas des pales du ventilateur sera d'environ 30,48 cm.

Installation standard au plafond

1. Retirez l'anneau de montage de la montage en le tournant vers la droite jusqu'à ce qu'il soit déverrouillé. (Figure 5)
2. Retirez la traverse de la montage en desserrant les quatre vis sur le dessus de la montage. Retirez les deux vis sans empreinte fendue et desserrez les vis à empreinte fendue. Cela vous permettra de retirer la traverse. (Figure 6)
3. Retirez la goupille de suspension et la goupille de verrouillage de la tige de suspension.
4. Faites passer les fils sortant du dessus du moteur du ventilateur par le couvercle décoratif du collet du moteur puis par l'anneau de montage. Assurez-vous que les ouvertures en fente sont orientées vers le haut. Faites passer les fils à travers la montage et ensuite à travers l'ensemble boule/tige de suspension. (Figure 7)
5. Desserrez, sans les retirer, les vis de pression du collet sur le dessus du boîtier du moteur.

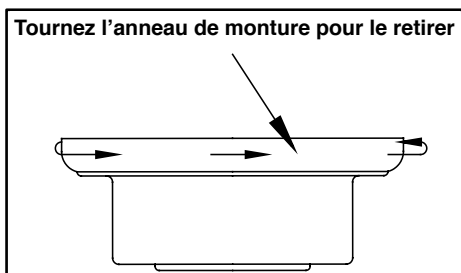


Figure 5

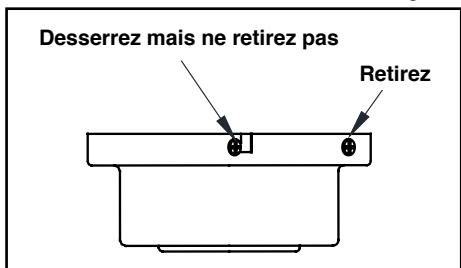


Figure 6

6. Alignez les trous au bas de la tige de suspension avec les trous du collet sur le dessus du boîtier du moteur. (Figure 7) Insérez avec précaution la goupille de suspension dans les trous du collet et de la tige de suspension. Faire attention à ne pas coincer les fils à l'intérieur de la tige de suspension avec la goupille de suspension. Insérez la goupille de verrouillage dans le trou près de l'extrémité de la goupille de suspension jusqu'à ce qu'elle se bloque en place, tel qu'indiqué dans le médaillon circulaire de la Figure 7.

7. Resserrez les vis de pression sur le collet sur le dessus du boîtier du moteur.
8. Assurez-vous que l'œillet est correctement fixé sur le couvercle du collet. Glissez ensuite le couvercle du collet sur la tige de suspension jusqu'à ce qu'il repose sur le boîtier du moteur. Assurez-vous que la montage et le couvercle du collet sont correctement orientés.
9. Passez à la section « Installation du ventilateur ».

AVERTISSEMENT

LE VENTILATEUR POURRAIT SE DESSERRER ET POSSIBLEMENT TOMBER SI LES VIS DE PRESSION NE SONT PAS BIEN SERRÉES LORS DE L'ÉTAPE 7.

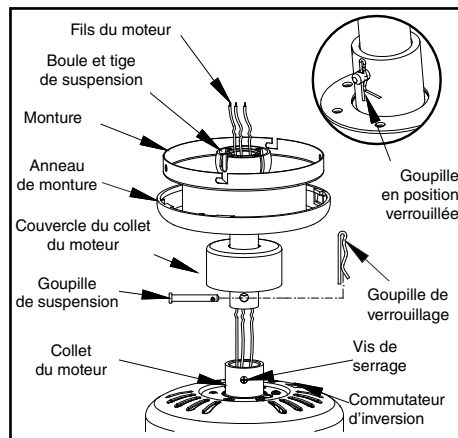


Figure 7

Installation du ventilateur sur le coffret électrique

ATTENTION

POUR FIXER LE VENTILATEUR À UN PLAFOND EN PENTE, IL FAUT UTILISER LA MÉTHODE D'INSTALLATION NORMALE AVEC LA BOULE ET LA TIGE DE SUSPENSION. LA TRAVERSE DOIT ÊTRE INSTALLÉE DE FAÇON À CE QUE LES OUVERTURES SOIENT DU CÔTÉ INFÉRIEUR EN LA FAISANT GLISSER DU HAUT VERS LE BAS.

1. Faites passer les fils d'alimentation de 120 volts par l'orifice central de la traverse, tel qu'indiqué sur la Figure 8.
2. Fixez la traverse sur le coffret électrique à l'aide des vis de montage fournies avec le coffret électrique. Notez que le côté plat de la traverse est dirigé vers le coffret électrique. (Figure 8)
3. Serrez bien les deux vis sur le coffret électrique.
4. Soulevez avec précaution l'ensemble du ventilateur vers la traverse. Assurez-vous que la languette de la traverse est correctement fixée dans le sillon de la boule de suspension. (Figure 9)

AVERTISSEMENT

SI LA MÉTHODE D'INSTALLATION NORMALE AVEC LA BOULE ET LA TIGE DE SUSPENSION EST UTILISÉE, LA LANGUETTE DE L'ANNEAU QUI SE TROUVE AU BAS DE LA TRAVERSE DOIT REPOSER DANS LE SILLON DE LA BOULE DE SUSPENSION. LE CÂBLAGE POURRAIT ÊTRE ENDOMMAGÉ SI LA LANGUETTE N'EST PAS PLACÉE CORRECTEMENT DANS LE SILLON.

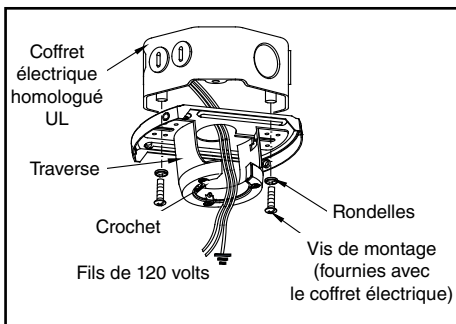


Figure 8

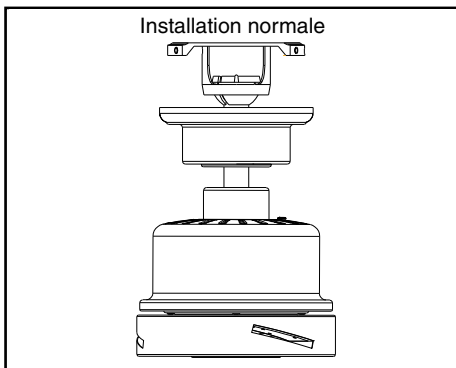


Figure 9

Effectuer les connexions électriques

N'OUBLIEZ PAS de couper l'alimentation électrique. Si vous pensez ne pas avoir les connaissances ou l'expérience nécessaires en matière de câblage, confiez l'installation du ventilateur à un électricien accrédité.

Suivez les étapes ci-dessous pour brancher le ventilateur au câblage de la maison. Utilisez les capuchons de connexion fournis avec le ventilateur. Assurez ces connexions avec du ruban isolant. Assurez-vous qu'il n'y a aucun fil ou connexion desserré(e). (Figure 10)

1. Une fois que l'électricité est coupée au boîtier de fusibles principal ou au panneau de disjoncteur, retirez la plaque murale et l'interrupteur existants.
2. Continuez pour connecter les fils comme suit (assurez-vous que les interrupteurs à glissière du ventilateur et du luminaire sur la commande murale sont en position « OFF (ARRÊT) »; connectez le fil **noir** uni de la commande murale au fil **bleu** du ventilateur. Connectez le fil **rouge ou bleu** de la commande murale au fil **noir** du ventilateur. Connectez le fil à **rayures noires et blanches** de la commande murale au fil sous tension de 120 volts c.a. Fixez solidement les connexions à l'aide des capuchons de connexion fournis.

Si votre boîte de sortie de courant a un fil de mise à la terre (vert ou en cuivre nu), connectez-le au fil de mise à la terre de l'émetteur mural; sinon, connectez le fil de mise à la terre de l'émetteur mural directement à l'une des vis de la boîte de sortie de courant.

3. Fixez solidement la commande murale UC9031 (P2630) sur la boîte de sortie de courant en utilisant les deux vis n° 6-81,28 cm x 1,9 cm fournies.
4. Fixez solidement la têtère à la commande murale avec les deux vis n° 6-81,28 cm x 1,9 cm fournies.

REMARQUE : Reportez-vous aux schémas au dos de la commande murale.

REMARQUE

L'INSTALLATION DE CETTE COMMANDE MURALE EXIGE QUE LE CÂBLE À TROIS CONDUCTEURS AVEC FIL MIS À LA TERRE SOIT ACHÉMINÉ ENTRE LE BOÎTIER DE COMMANDE MURALE ET LA PRISE DU VENTILATEUR DE PLAFOND.

AVERTISSEMENT

CHACUN DES CAPUCHONS DE CONNEXION FOURNIS AVEC CE VENTILATEUR EST CONÇU POUR RECEVOIR AU PLUS UN FIL DE CÂBLAGE DOMESTIQUE DE CALIBRE 12 ET DEUX FILS PROVENANT DU VENTILATEUR. SI LE CALIBRE DU FIL DE CÂBLAGE DOMESTIQUE EST SUPÉRIEUR À 12 OU S'IL Y A PLUS D'UN FIL DE CÂBLAGE DOMESTIQUE À BRANCHER AU CÂBLAGE DU VENTILATEUR, CONSULTER UN ÉLECTRICIEN POUR CONNAÎTRE LA TAILLE DE CAPUCHONS DE CONNEXION À UTILISER.

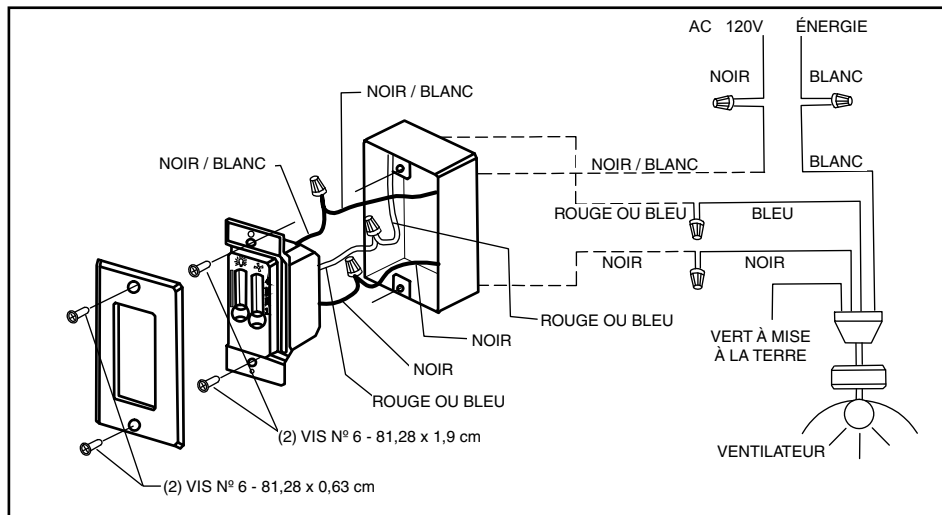


Figure 10

Achèvement de l'installation

INSTALLATION NORMALE

AVERTISSEMENT

SI LA MÉTHODE D'INSTALLATION NORMALE AVEC LA BOULE ET LA TIGE DE SUSPENSION EST UTILISÉE, LA LANGUETTE DE L'ANNEAU QUI SE TROUVE AU BAS DE LA TRAVERSE DOIT REPOSER DANS LE SILLON DE LA BOULE DE SUSPENSION. LE CÂBLAGE POURRAIT ÊTRE ENDOMMAGÉ SI LA LANGUETTE N'EST PAS PLACÉE CORRECTEMENT DANS LE SILLON.

1. Alignez les fentes de blocage de la monture de plafond et les deux vis de la traverse. Poussez la monture pour engager les vis dans les fentes et tournez dans le sens des aiguilles d'une montre pour verrouiller le tout en place. Serrez immédiatement les deux vis de montage à fond.
2. Placez les deux autres vis de montage dans les orifices de la monture et serrez-les bien.
3. Installez l'anneau de monture décoratif en alignant les fentes de l'anneau avec les vis de la monture. Tournez l'anneau dans le sens inverse des aiguilles d'une montre pour le verrouiller en place.
4. Les pales du ventilateur peuvent désormais être installées.

Installation des pales du ventilateur

1. Insérez la pale dans la fente du volant-moteur central. Alignez les trois trous de vis de la pale avec les trous de vis du volant-moteur et fixez en place à l'aide des vis fournies. (Figure 11)
2. Répétez cette étape pour les autres pales.

Équilibrage des pales

Les pales sont regroupées par poids. En raison de la variation de densité du bois naturel, il se peut que le ventilateur oscille, et ce, même si les pales sont équilibrées en poids.

Les étapes suivantes devraient permettre de corriger l'oscillation du ventilateur. Effectuez une vérification après chacune des étapes.

1. Vérifiez si toutes les vis des pales sont bien serrées.
2. La plupart des problèmes d'oscillation sont causés par la hauteur inégale des pales. Vérifiez la hauteur des pales en choisissant un point au plafond, au-dessus de l'extrémité de l'une des pales. Mesurez la distance entre un point au centre de chaque pale et le point au plafond. Mesurez cette distance de la façon illustrée à la Figure 12. Faites tourner le ventilateur pour que la pale suivante soit en position pour la mesure. Répétez pour chaque pale. Les écarts de mesures devraient être inférieurs à 3,17 mm. Faites fonctionner le ventilateur pendant 10 minutes.

3. Assurez-vous que la monture est fixée bien serrée sur la traverse et que la traverse est aussi solidement serrée sur le coffret électrique.
4. L'échange réciproque de pales adjacentes peut redistribuer les poids et résulter en un fonctionnement plus en douceur.
5. Utilisez le nécessaire d'équilibrage des pales si les pales oscillent toujours.

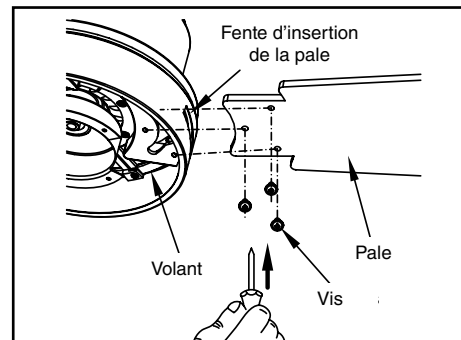


Figure 11

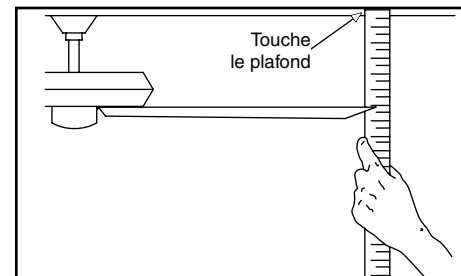


Figure 12

Installation du luminaire et de l'abat-jour en verre

ATTENTION - Pour réduire les risques de choc électrique, débranchez le circuit d'alimentation électrique avant d'installer le luminaire.

REMARQUE

LE VERRE ÉTANT FRAGILE, IL FAUT PRENDRE LES PRÉCAUTIONS NÉCESSAIRES LORS DE L'INSTALLATION DU LUMINAIRE ET DE L'ABAT-JOUR EN VERRE.

1. Desserrez sans les retirer deux des trois vis de montage du moteur du ventilateur; retirez une vis de montage. (Figure 13)
2. Poussez le bac du luminaire vers le haut jusqu'au moteur du ventilateur de façon à ce que les deux têtes de vis desserrées tiennent dans les fentes en trou de serrure. Tournez le bac du luminaire dans le sens des aiguilles d'une montre et serrez les vis. Réinsérez la vis qui a été retirée à l'étape 1 et serrez-la fermement. (Figure 13)
3. Retirez une vis du bac du luminaire et desserrez mais ne retirez pas les deux autres vis. Connectez les fils du luminaire aux fils provenant du moteur du ventilateur en branchant les fiches d'adaptation moulées ensemble. Insérez soigneusement tous les fils et les épissures dans le capuchon d'interrupteur. (Figure 14)
4. Poussez le luminaire vers le haut, de façon à ce que les deux têtes de vis desserrées tiennent dans les fentes en trou de serrure.

Tournez le luminaire dans le sens des aiguilles d'une montre et serrez les vis. Réinsérez la vis qui a été retirée à l'étape 3 et serrez-la fermement. (Figure 15)

5. Placez l'abat-jour en verre sur le bac du luminaire en alignant les trois parties plates en haut de l'abat-jour avec les trois crans relevés du bac du luminaire. Tournez l'abat-jour dans le sens des aiguilles d'une montre jusqu'à ce qu'il s'arrête. (Figure 15)

REMARQUE

VÉRIFIEZ RÉGULIÈREMENT QUE L'ABAT-JOUR EN VERRE EST COMPLÈTEMENT VISSÉ DANS LE SENS DES AIGUILLES D'UNE MONTRE DANS LE BAC DE LUMINAIRE.

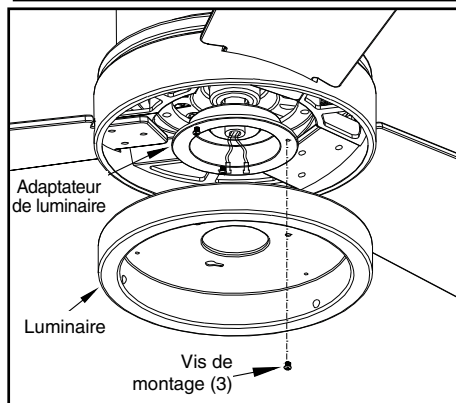


Figure 13

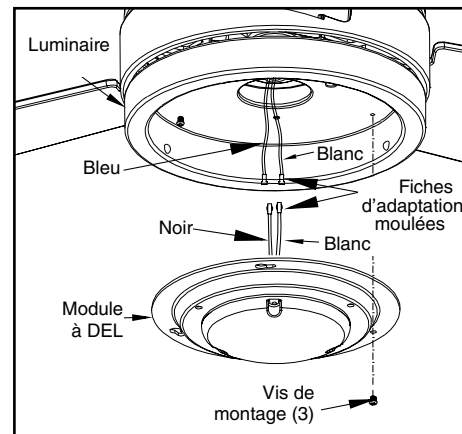


Figure 14

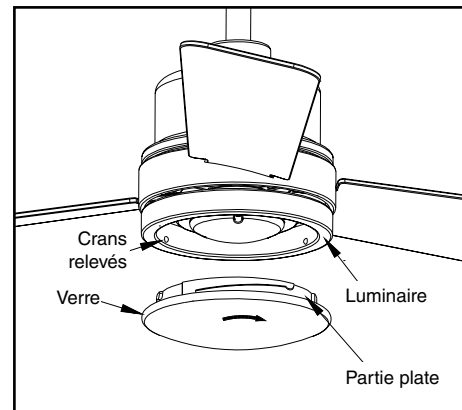


Figure 15

Les réglages pour temps chaud ou frais varient notamment en fonction de la taille de la pièce, de la hauteur du plafond et du nombre de ventilateurs dans la pièce.

Le ventilateur est expédié avec le commutateur d'inversion réglé pour faire circuler l'air vers le bas. Pour inverser la direction du débit d'air, il suffit d'éteindre le ventilateur, d'attendre que les pales s'immobilisent complètement, puis de glisser le commutateur d'inversion (situé en haut du boîtier du moteur, voir la Figure 7 à la page 4) en position inverse et de remettre le ventilateur en marche. Les pales du ventilateur tourneront dans la direction inverse et le débit d'air sera dirigé vers le haut.

Par temps chaud - (marche avant) Un débit d'air descendant crée un courant d'air rafraîchissant, comme illustré à la Figure 16. Ce qui permet d'utiliser un réglage de climatisation plus élevé sans nuire au confort.

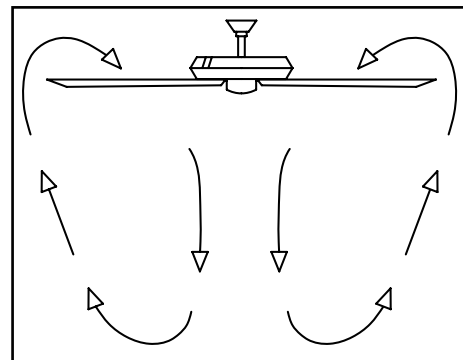


Figure 16

Par temps frais - (marche arrière) Un débit d'air ascendant fait descendre l'air chaud du plafond, comme illustré à la Figure 17. Ce qui permet d'utiliser un réglage de chauffage plus bas sans nuire au confort.

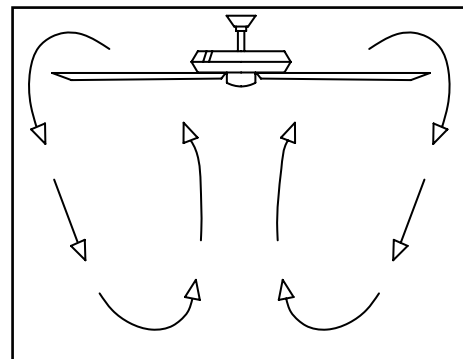


Figure 17

9. Utilisation du ventilateur

Entretien du ventilateur Dépannage

Voici quelques suggestions pour l'entretien de votre ventilateur.

1. En raison du mouvement naturel du ventilateur, certains raccords peuvent se desserrer. **Vérifiez les raccords de support, les supports et les fixations des pales deux fois par an.** Vérifiez qu'ils sont solidement fixés. **(il n'est pas nécessaire d'enlever le ventilateur du plafond).**
2. Nettoyez le ventilateur régulièrement pour conserver son aspect neuf au fil des années. N'utilisez pas d'eau car cela risque d'endommager le moteur ou le bois, ou même de provoquer une électrocution. Utilisez uniquement une brosse douce ou un linge non pelucheux afin d'éviter d'égratigner la fini. Le revêtement est recouvert d'une laque afin d'en réduire la décoloration ou le ternissement. **Attention : Assurez-vous que l'alimentation électrique est coupée avant de nettoyer le ventilateur.**
3. Vous pouvez appliquer une fine couche de produit à polir sur le bois pour le protéger et l'embellir. Masquez les petites égratignures avec un peu de cirage.
4. **Il n'est pas nécessaire de lubrifier le ventilateur.** Le moteur est doté de roulements scellés à graissage permanent.

Problème

Le ventilateur ne se met pas en marche

Le ventilateur est bruyant

Solution

1. Vérifiez les fusibles ou les disjoncteurs principaux ou divisionnaires.
2. Vérifiez les connexions des fils de ligne au ventilateur et les connexions dans le boîtier de l'interrupteur mural. **ATTENTION : Assurez-vous que l'alimentation électrique principale est coupée.**
1. Assurez-vous que toutes les vis du boîtier du moteur sont bien serrées.
2. Assurez-vous que les vis qui fixent les supports de pales au moyeu du moteur sont bien serrées.
3. Assurez-vous que les capuchons de connexion ne s'entrechoquent pas ou ne se battent pas contre la paroi intérieure du boîtier de l'interrupteur. **ATTENTION : Assurez-vous que l'alimentation électrique est coupée.**
4. Accordez une période de « rodage » de 24 heures. La plupart des bruits d'un ventilateur neuf disparaissent au cours de cette période.
5. Assurez-vous que la monture se trouve à une courte distance du plafond. Elle ne doit pas être en contact avec le plafond.
6. Assurez-vous que la boîte de sortie de courant est bien fixée et que des coussinets isolants en caoutchouc ont été installés entre la traverse et le coffret électrique.

AVERTISSEMENT

ASSUREZ-VOUS QUE L'ALIMENTATION ÉLECTRIQUE A ÉTÉ COUPÉE AU TABLEAU DE DISTRIBUTION AVANT DE TENTER D'EFFECTUER UNE RÉPARATION. CONSULTEZ LA SECTION « EFFECTUER LES CONNEXIONS ÉLECTRIQUES ».

10. Entretien du ventilateur et dépannage

TAILLE DU VENTILATEUR	VITESSE	VOLTS	PUISSANCE DU VENTILATEUR CONSOMMATION (SANS LUMINAIRE) WATTS	DÉBIT D'AIR PI ³ /MIN	RENDEMENT ÉNERGÉTIQUE DU DÉBIT D'AIR (PLUS ÉLEVÉ EST MIEUX) PI ³ PAR MIN/WATT	POIDS NET	POIDS BRUT	PIEDS ³
132 cm	Faible	120	9	1999	222	6,69 kg	7,5 kg	1,43
	Élevée		42	4306	103			

11. Caractéristiques