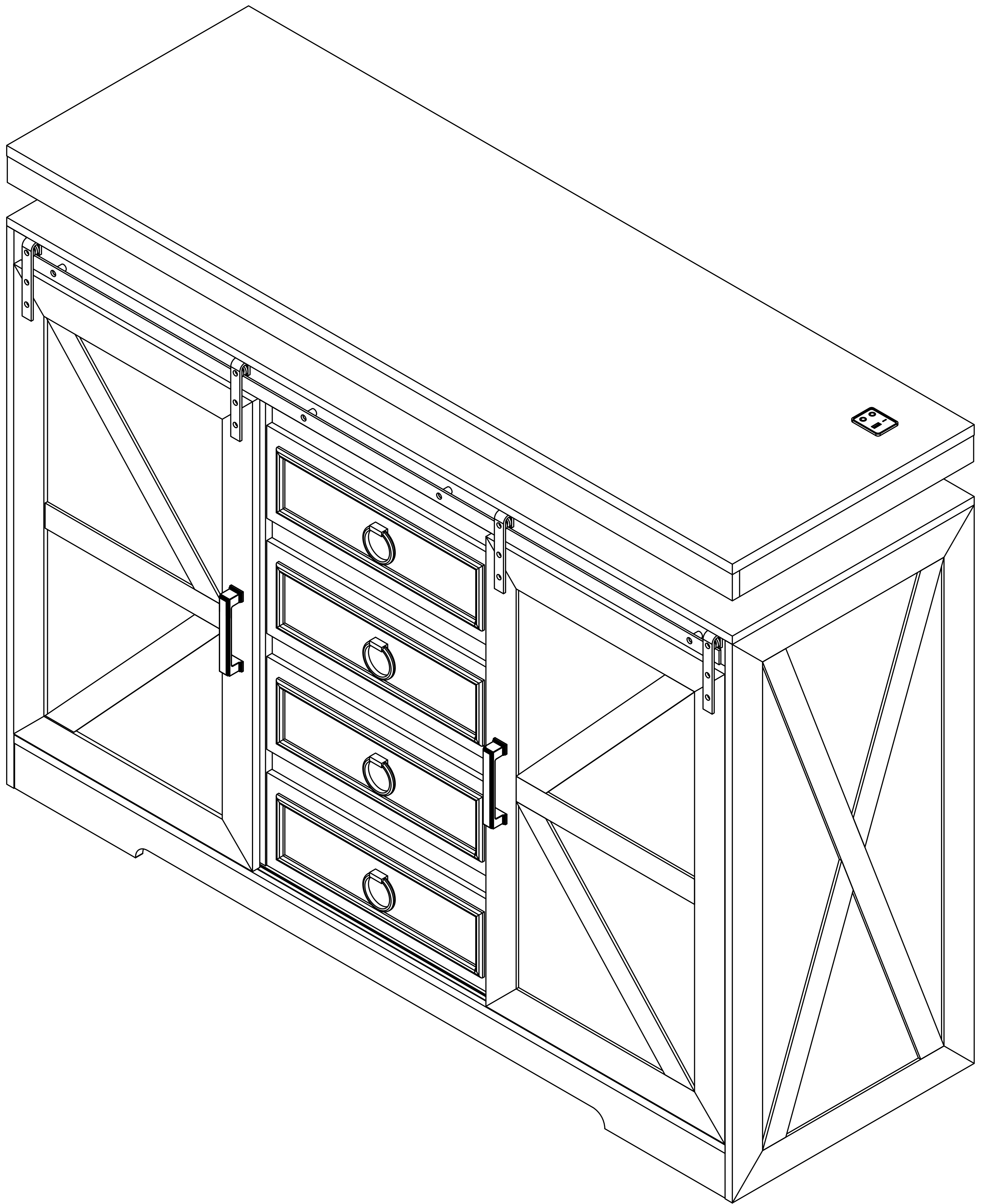
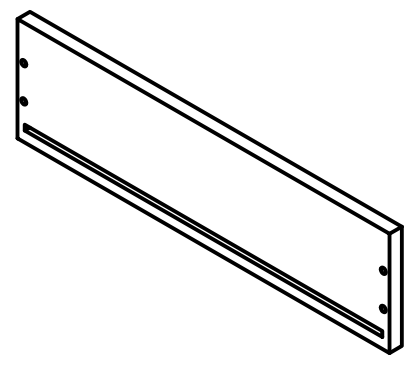
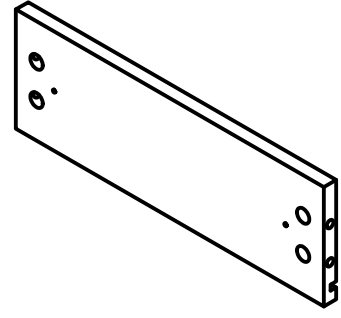


Product Installation Instructions

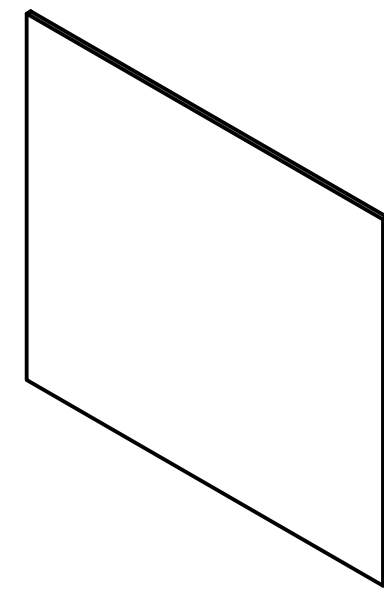




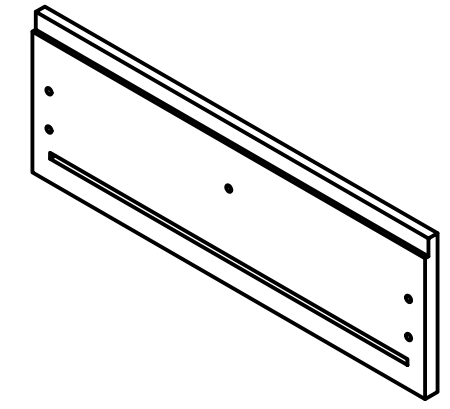
1x4



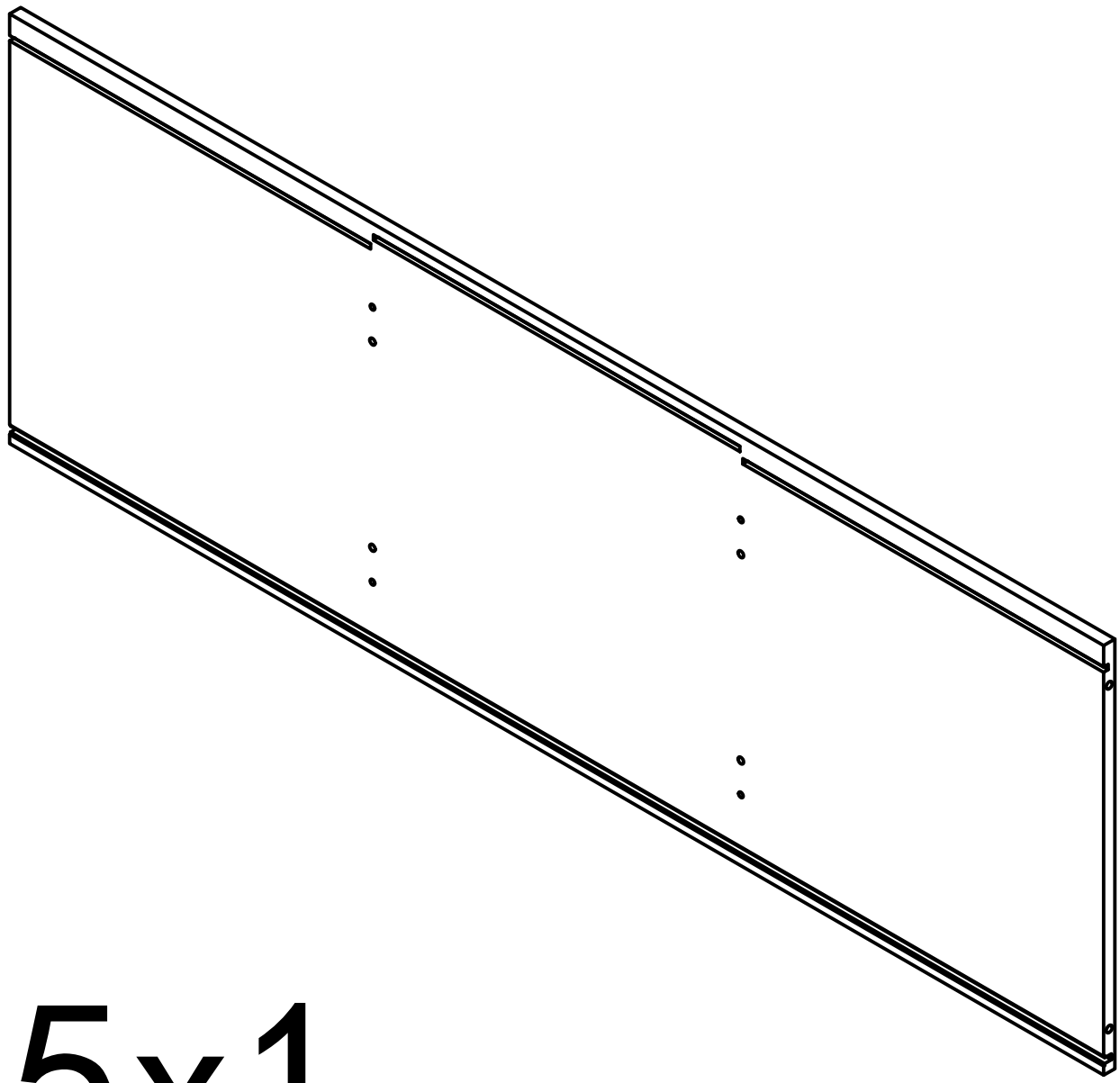
2x8



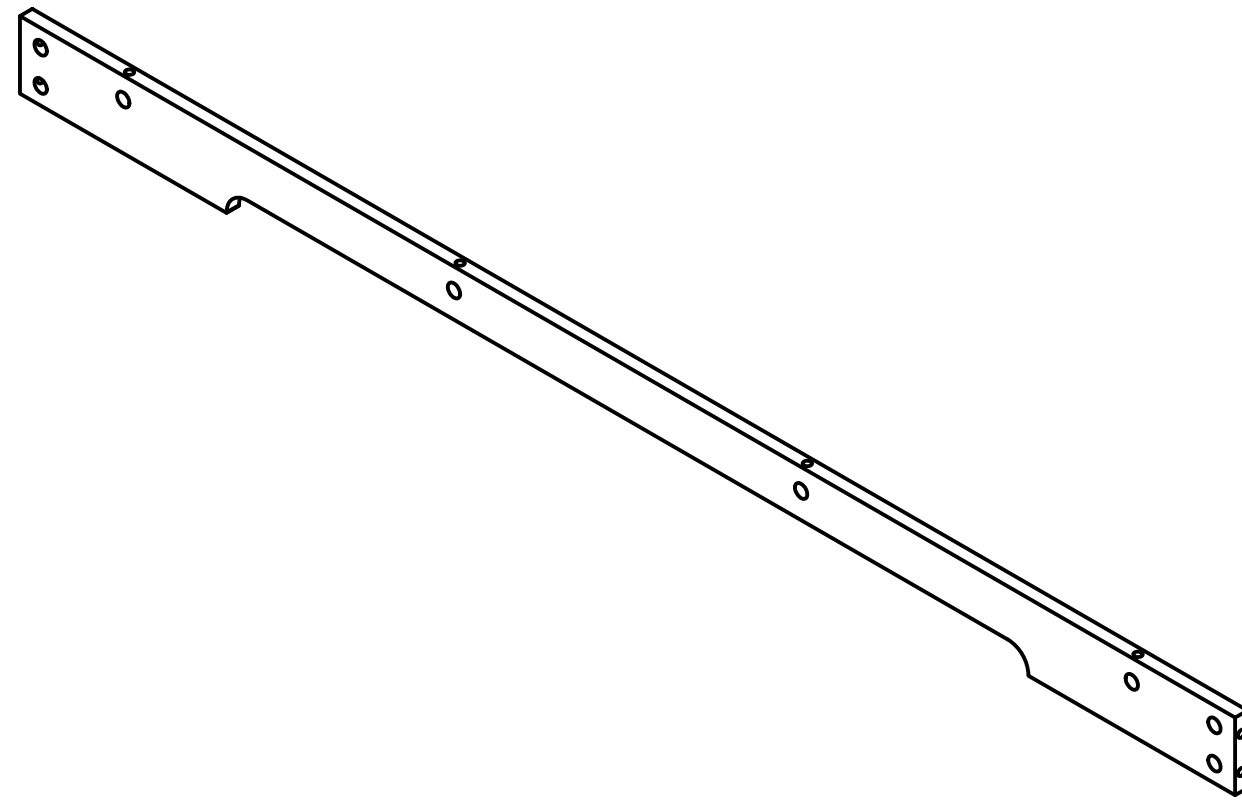
3x4



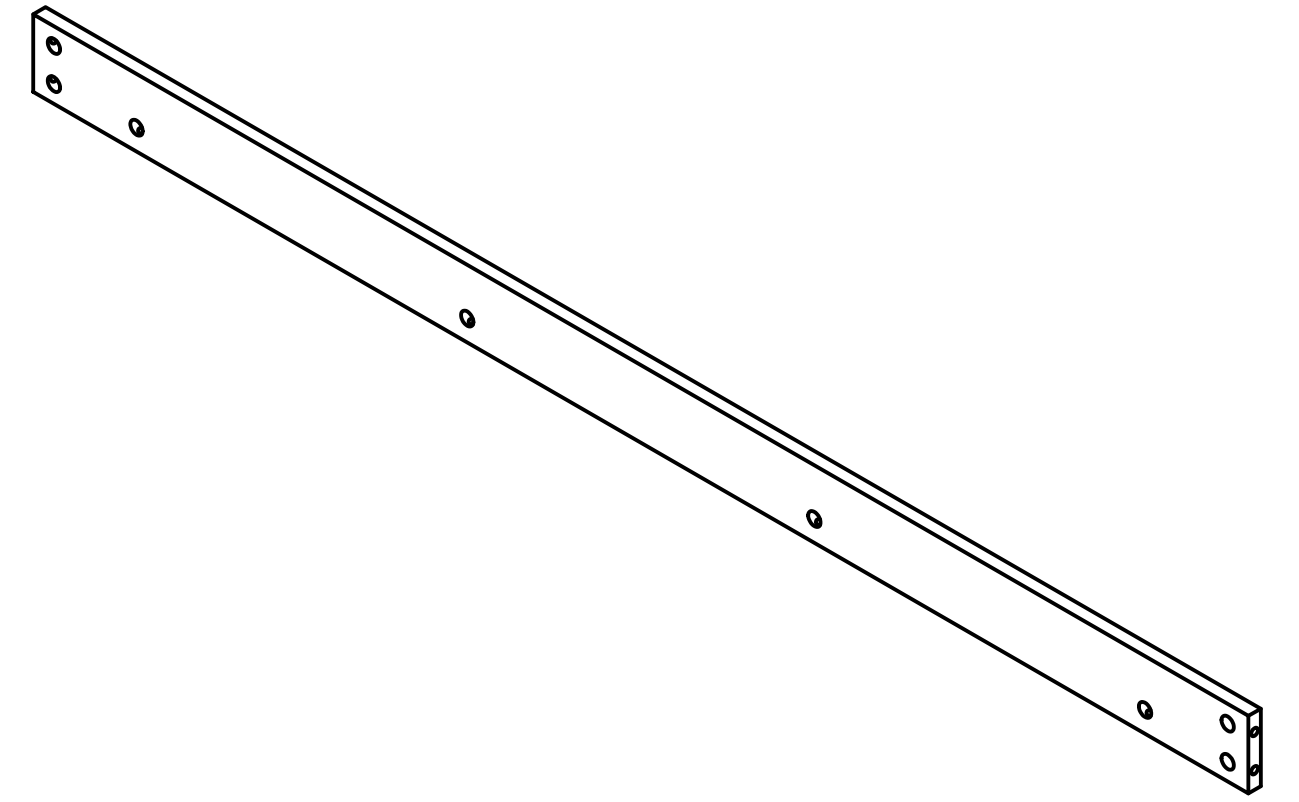
4x4



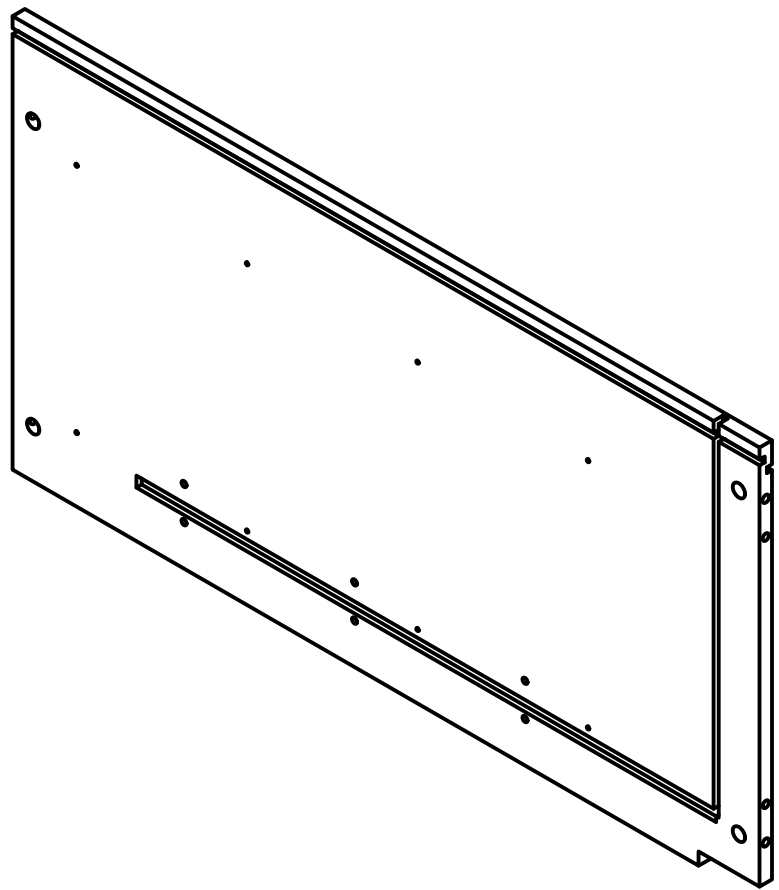
5x1



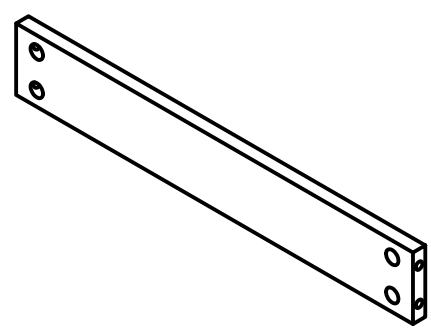
6x1



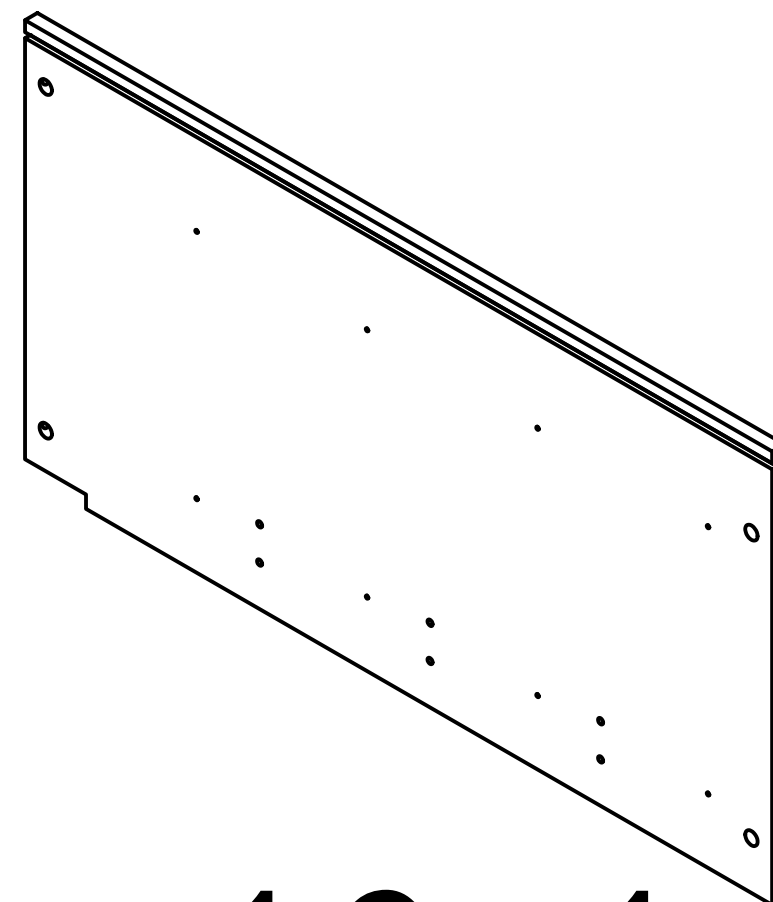
7x1



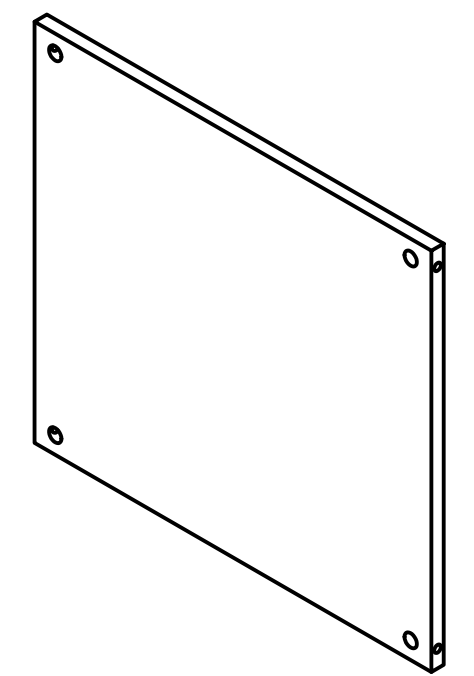
8x1



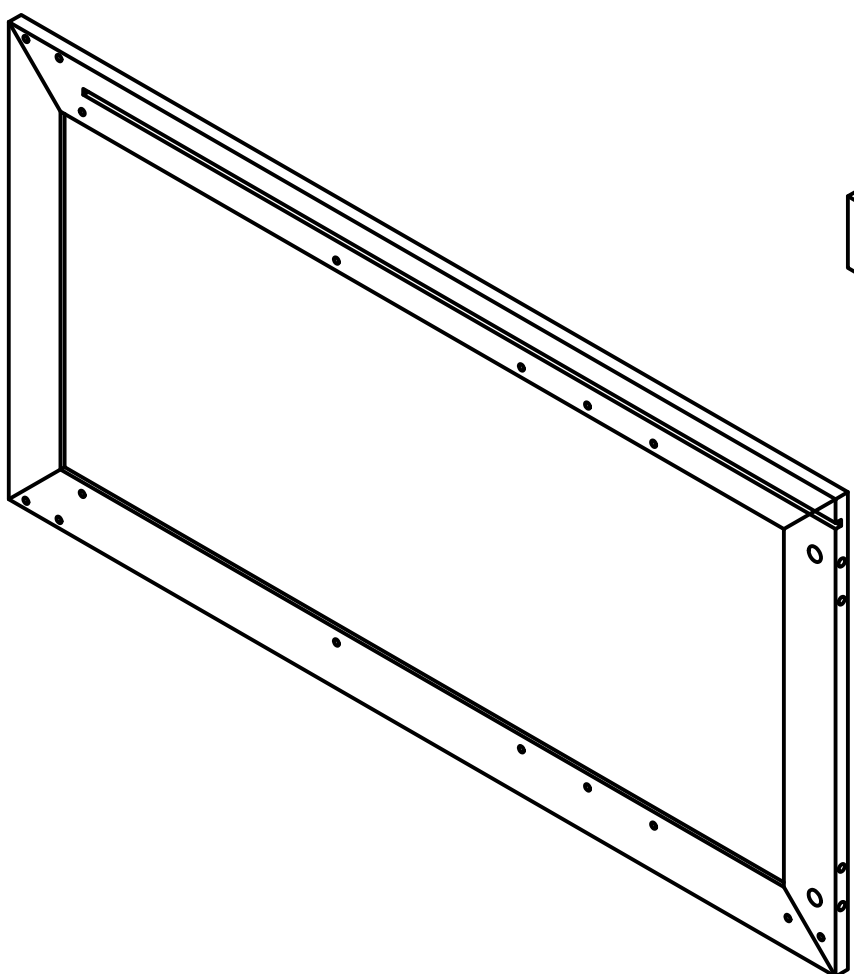
9x3



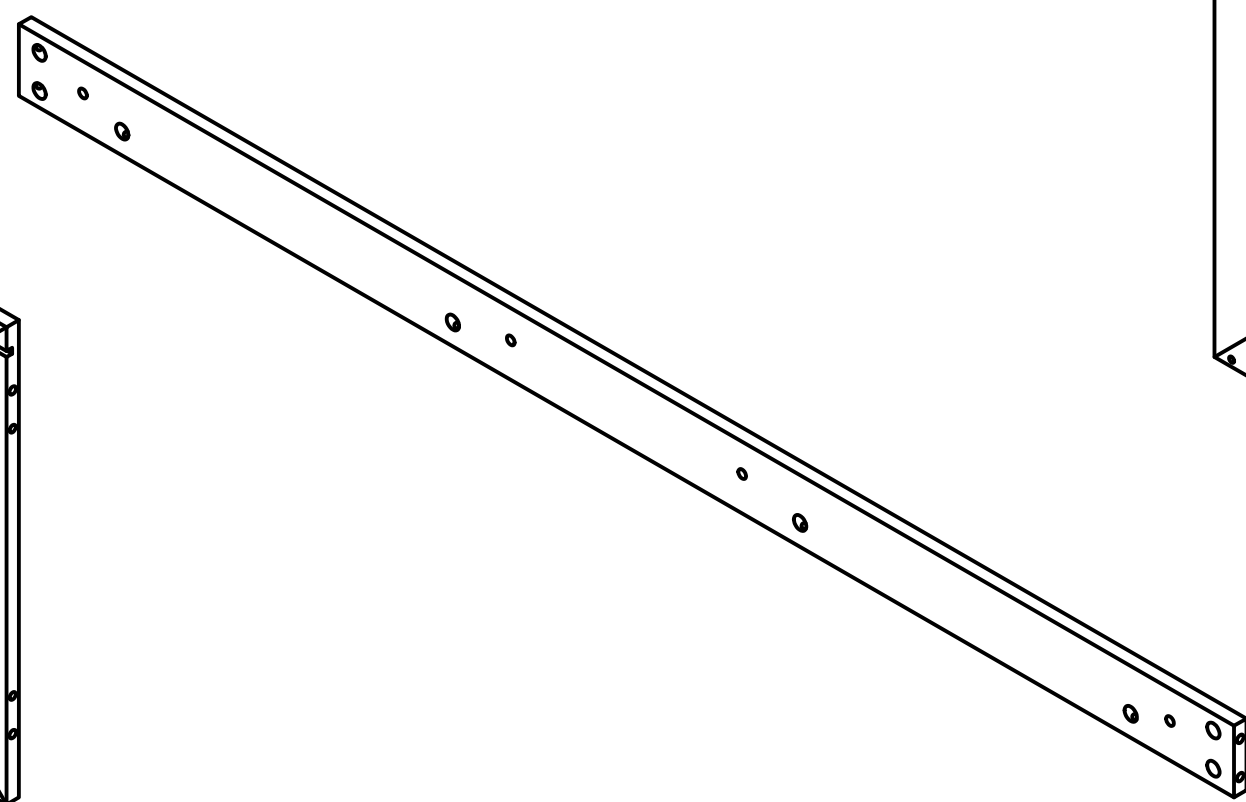
10x1



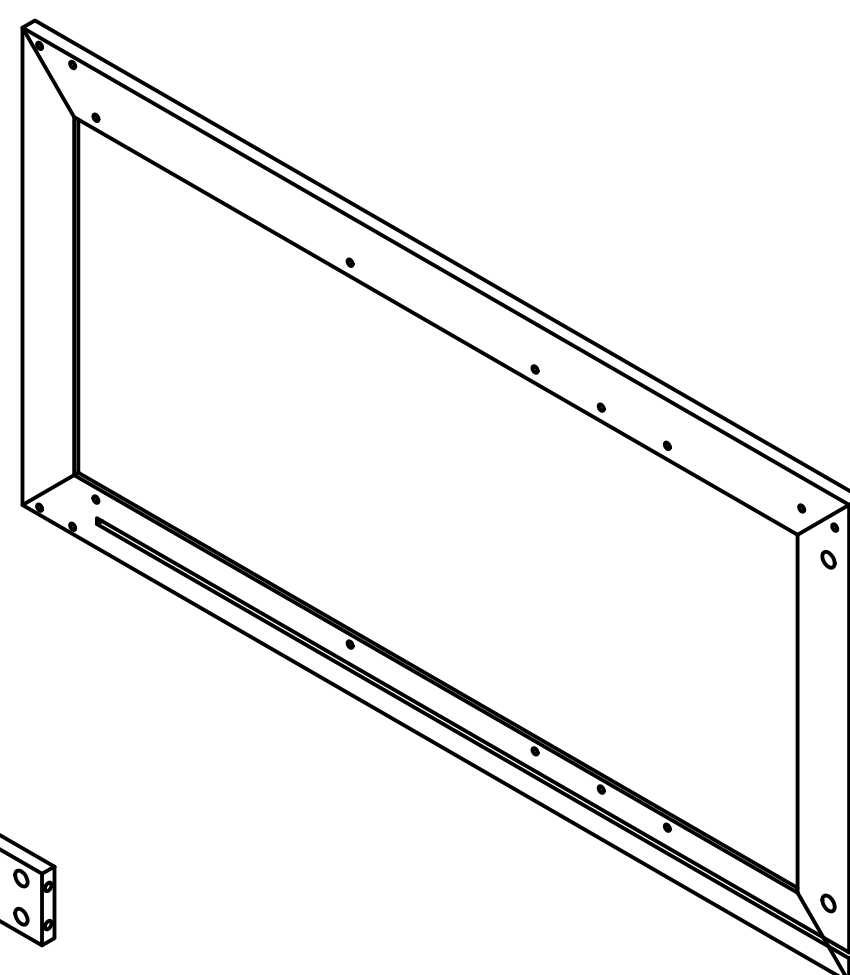
11x2



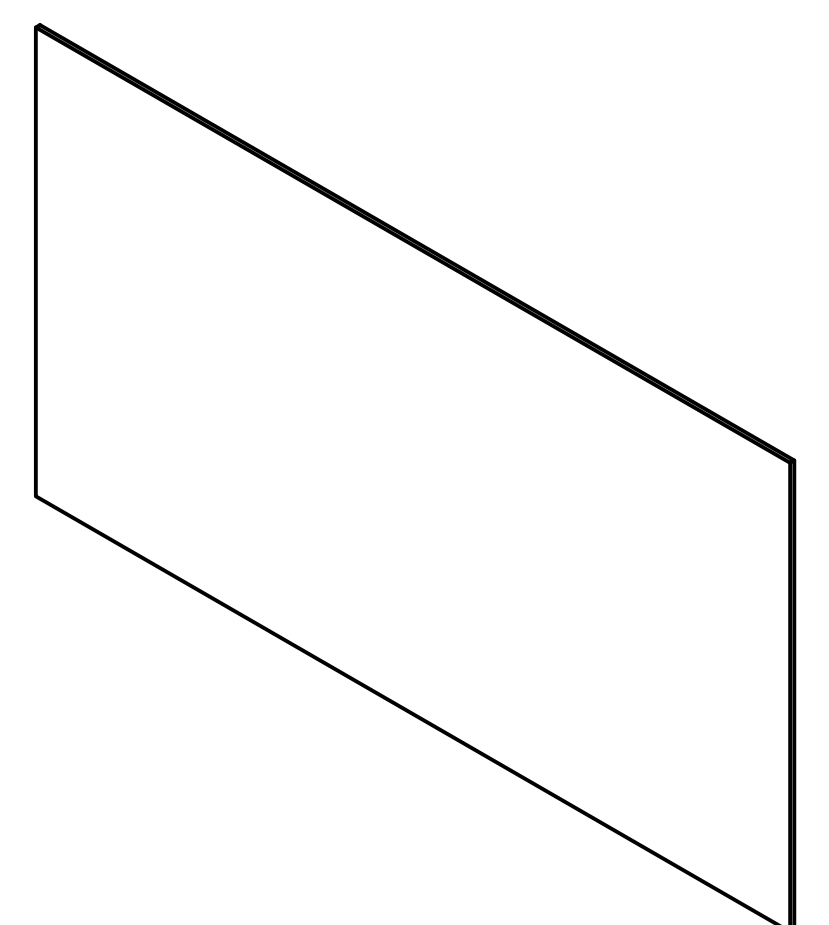
12x1



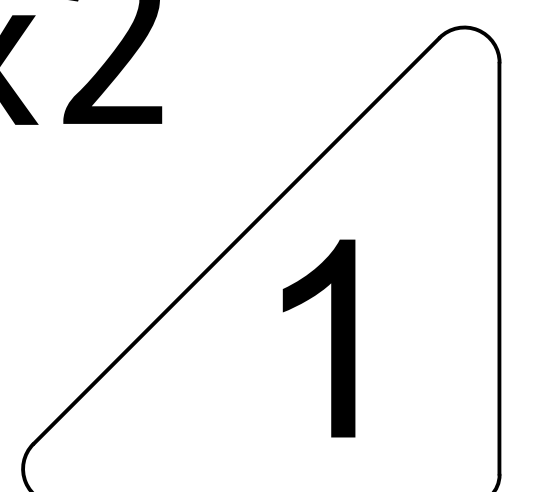
13x1



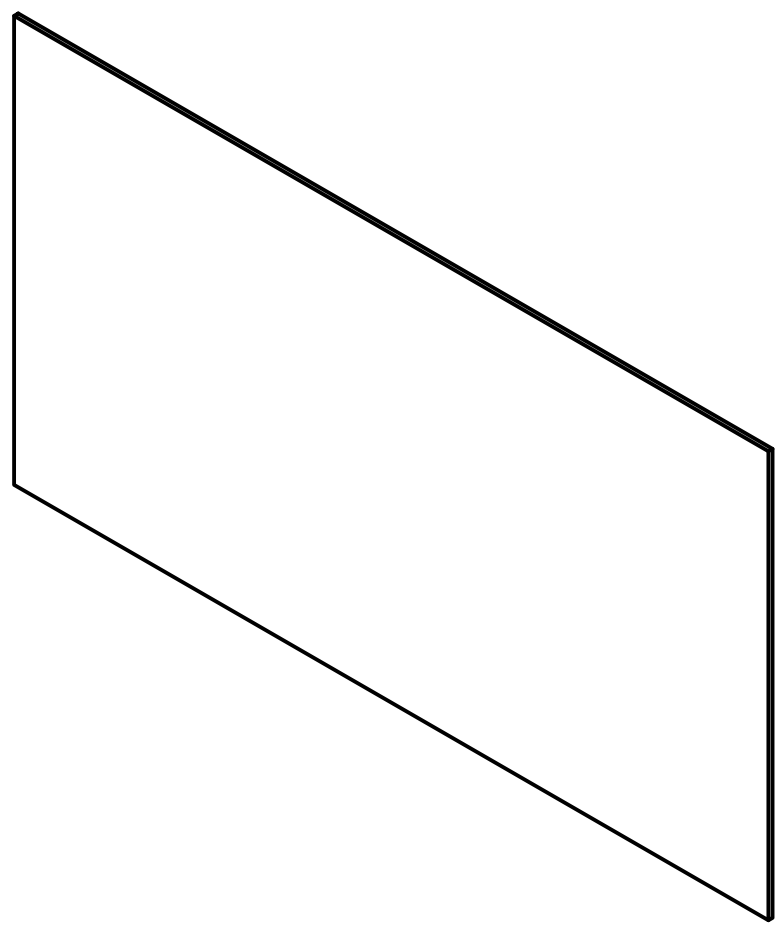
14x1



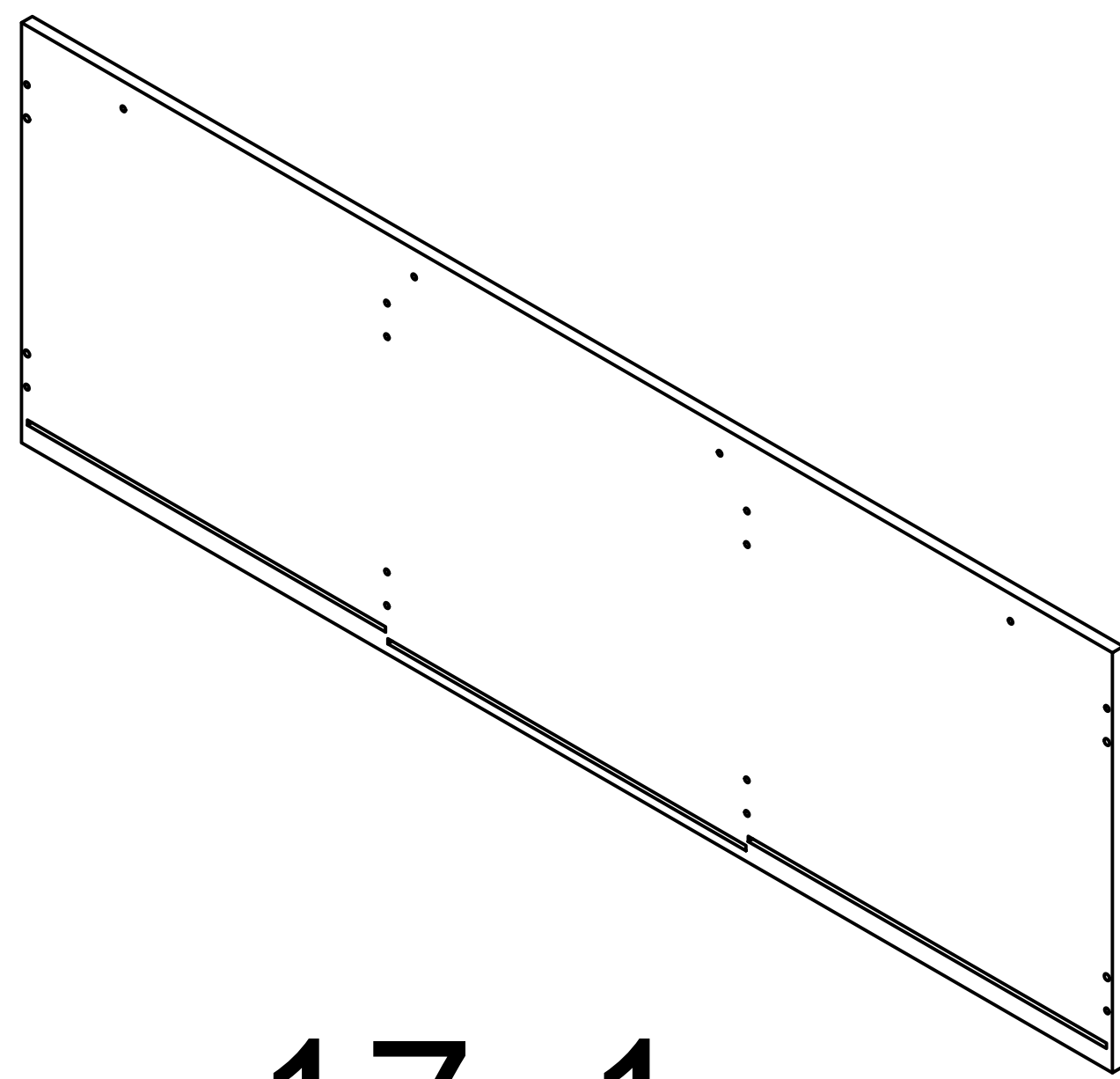
15x2



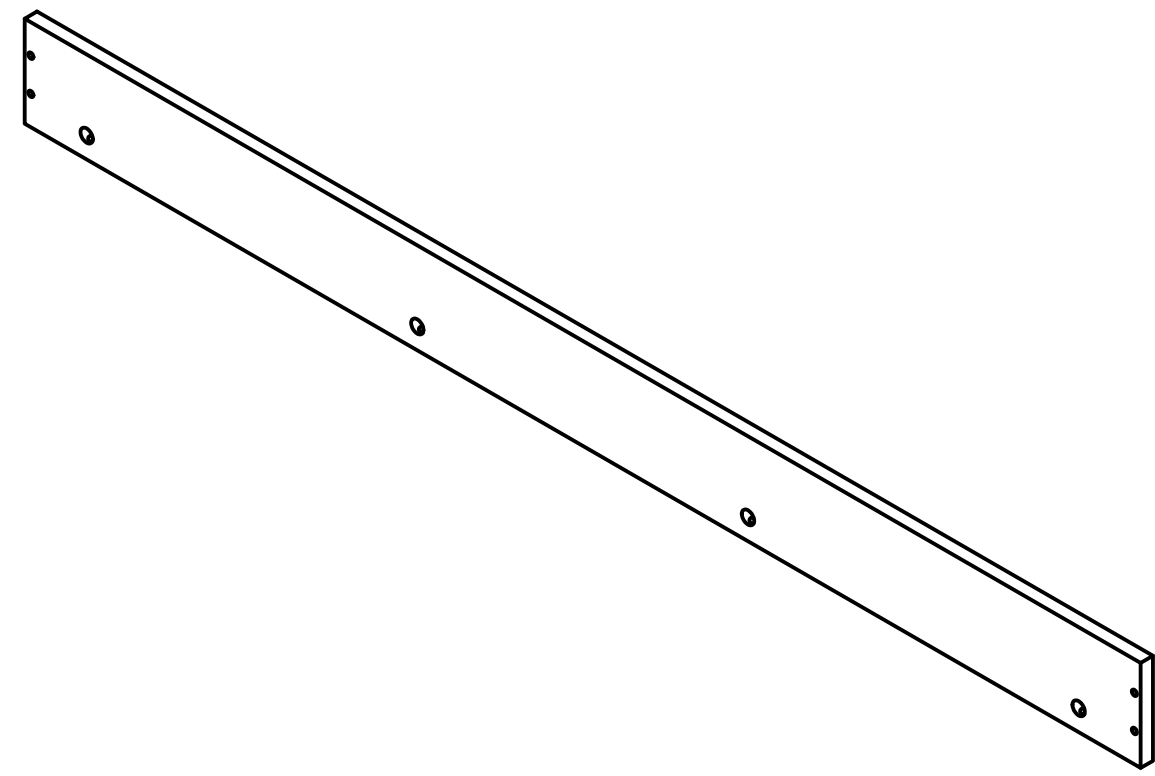
1



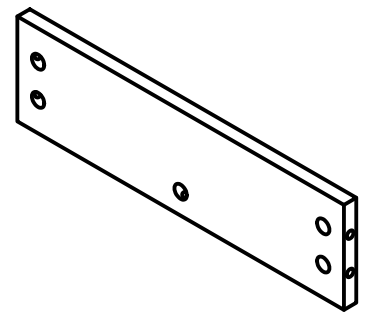
16x1



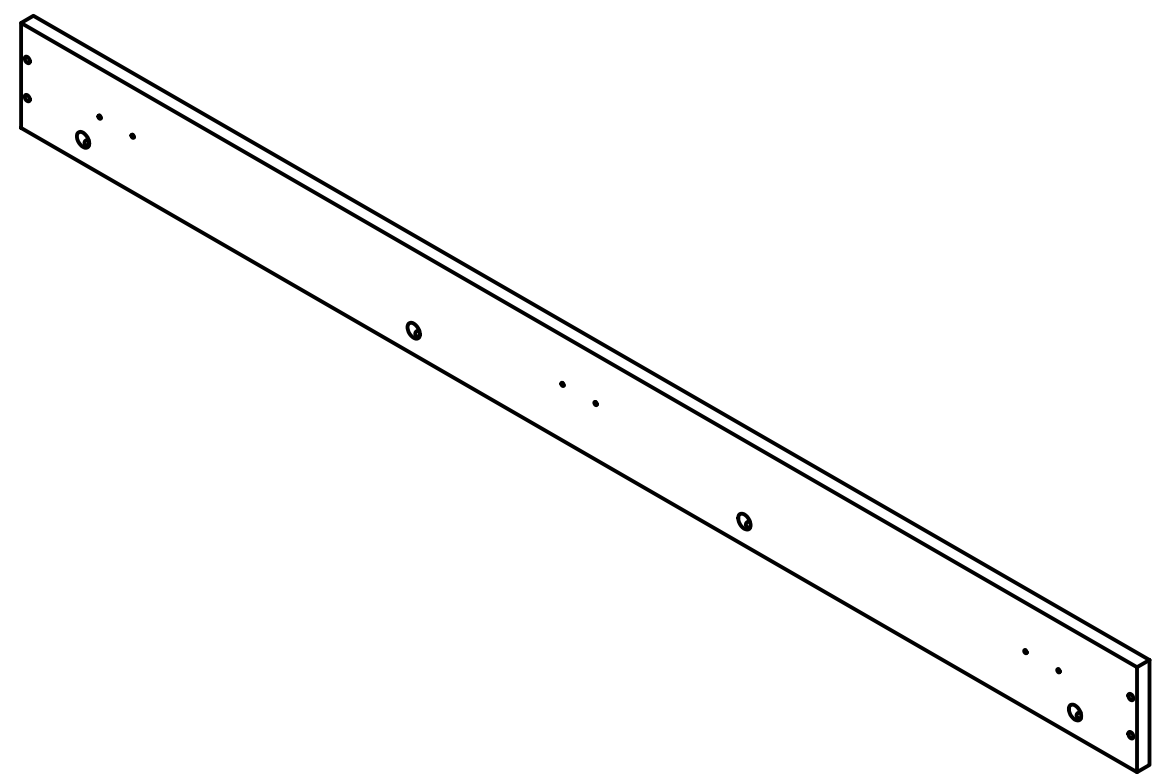
17x1



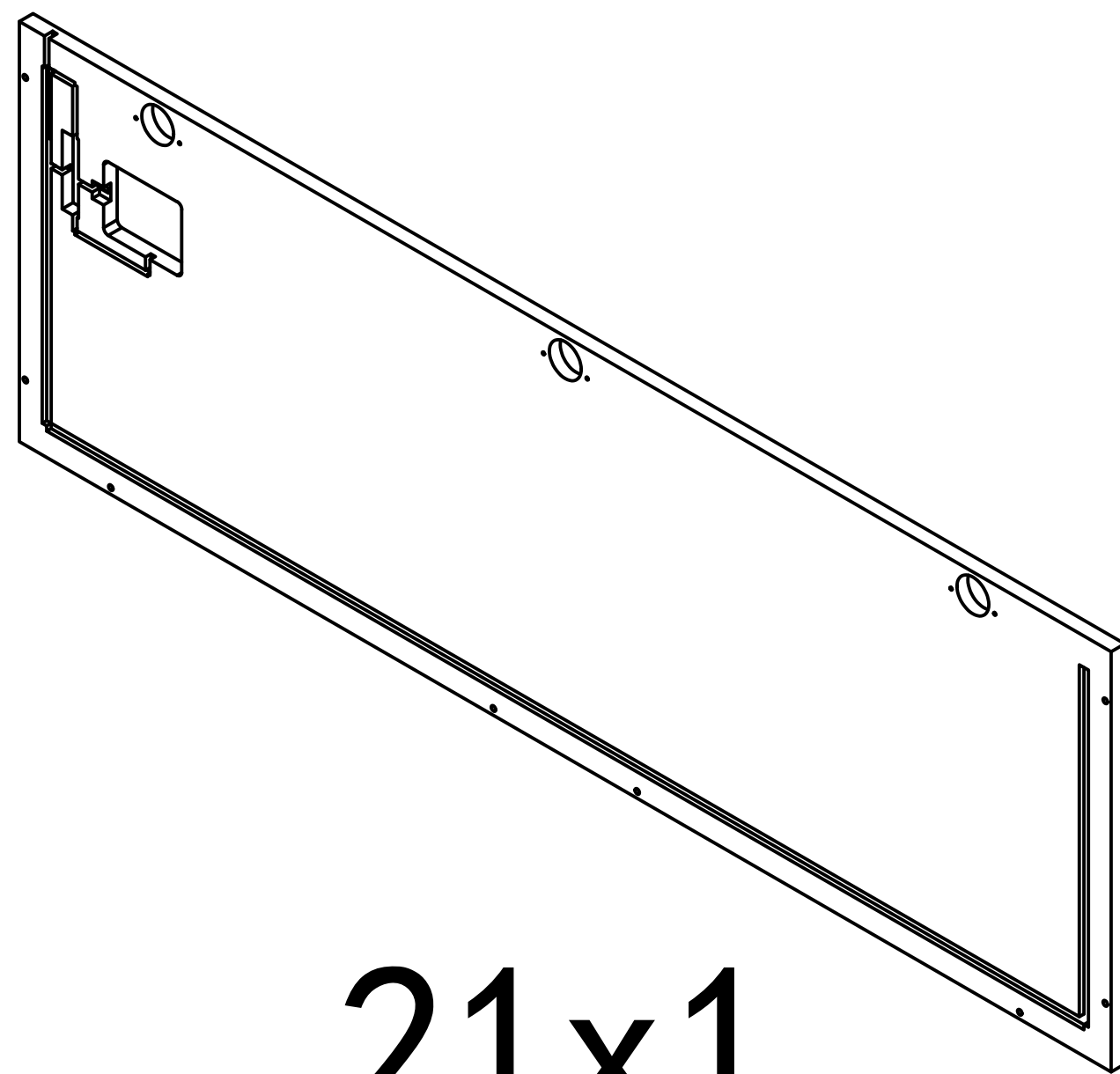
18x1



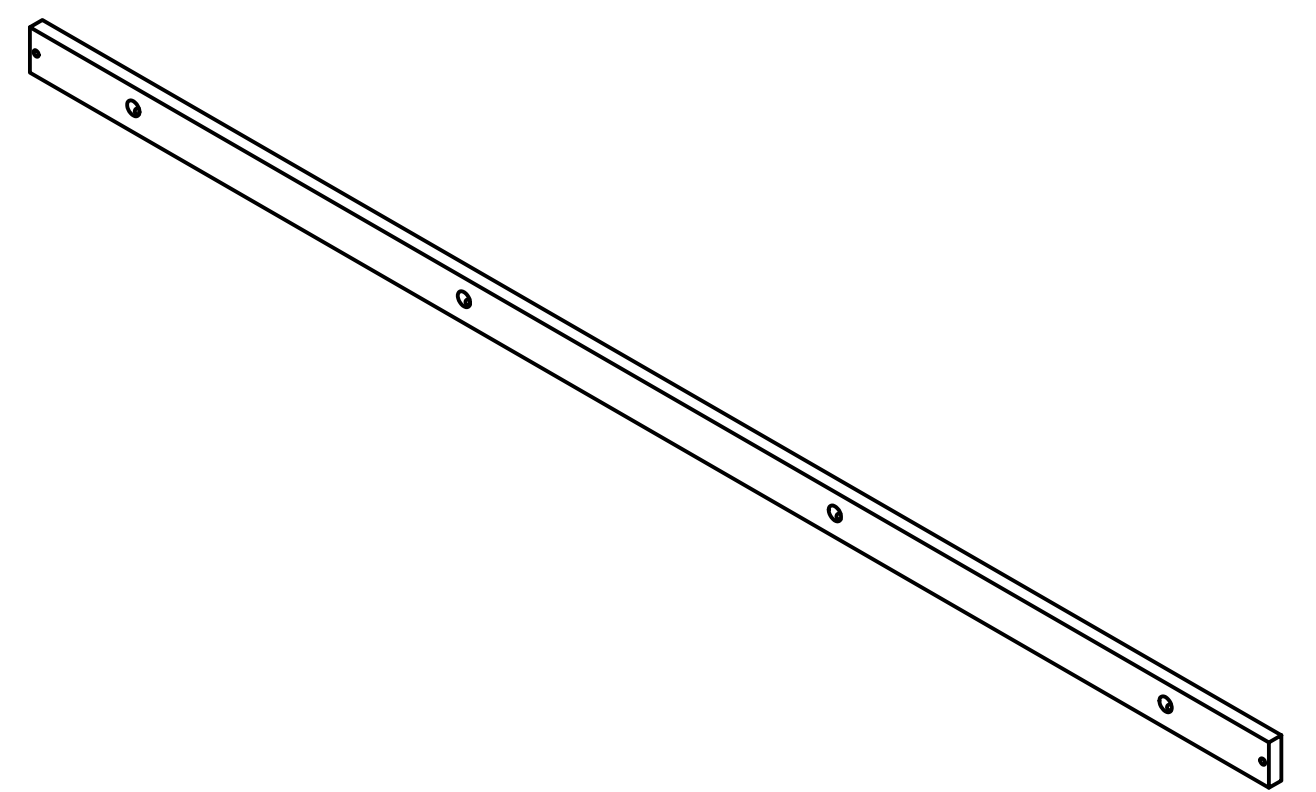
19x2



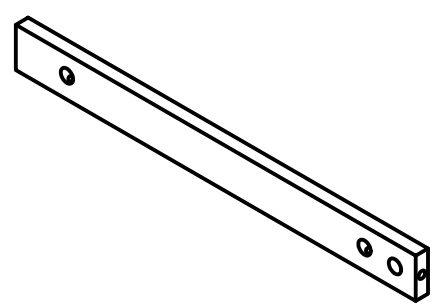
20x1



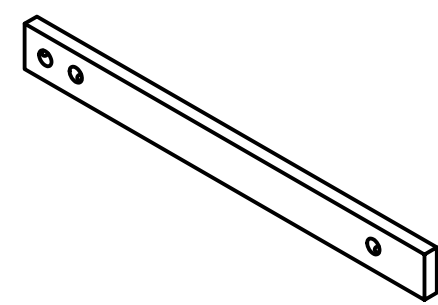
21x1



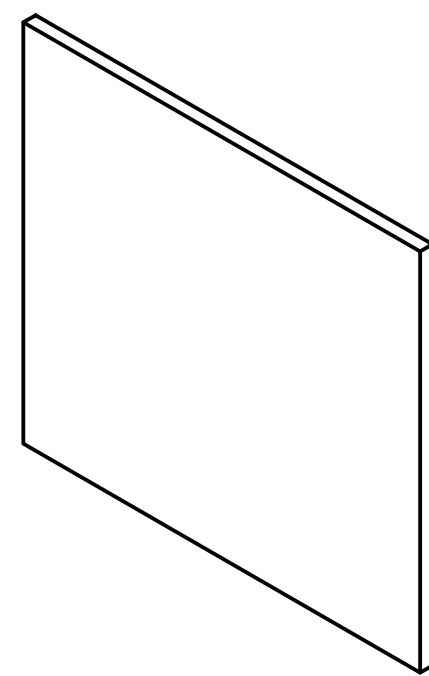
22x1



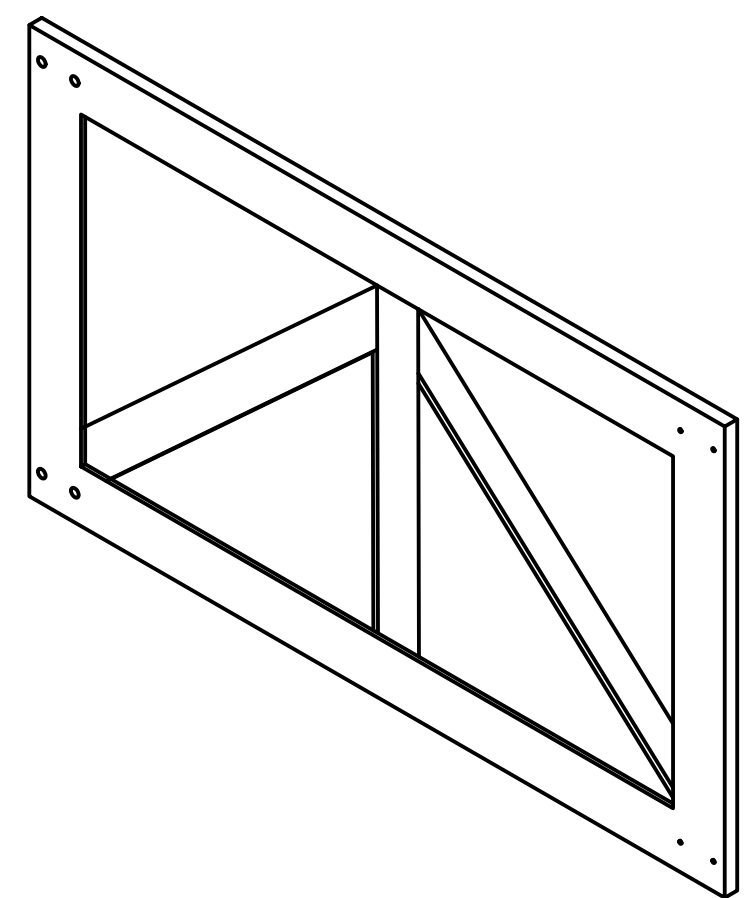
23x1



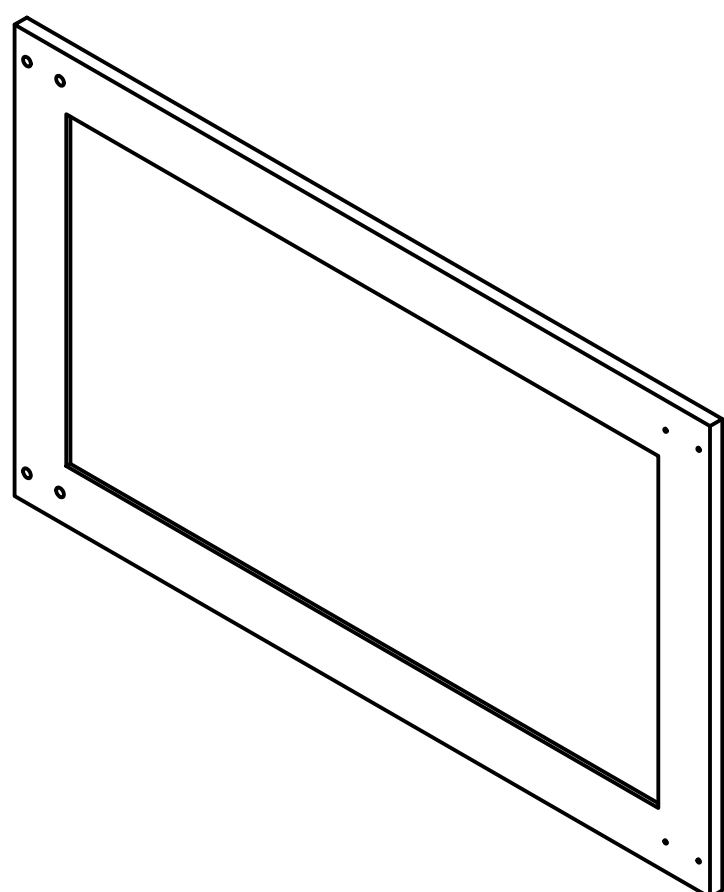
24x1



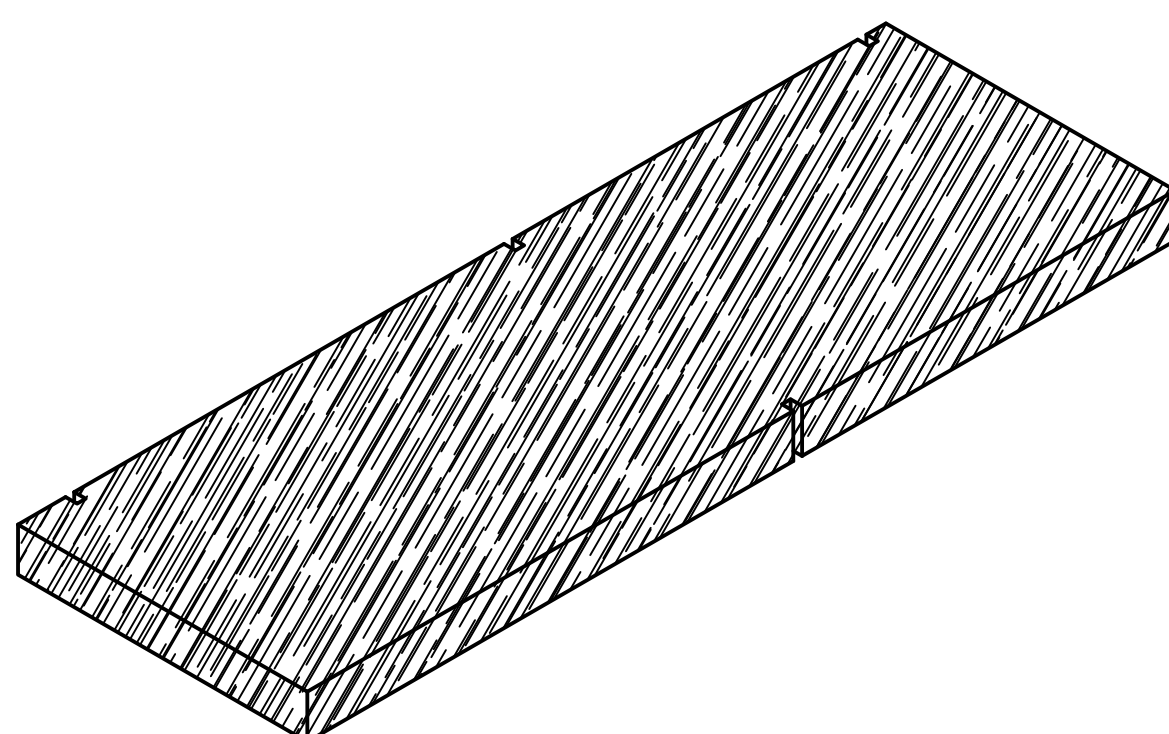
25x2



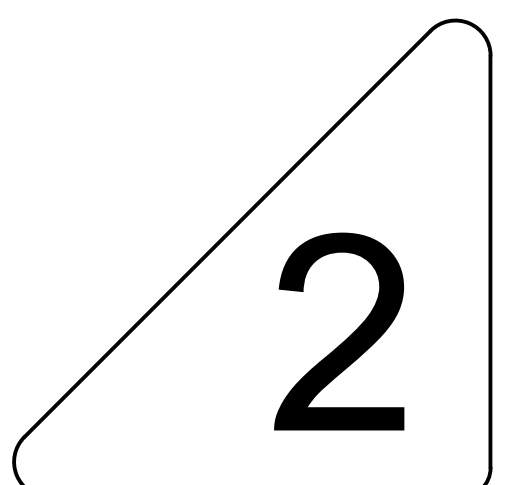
26x1



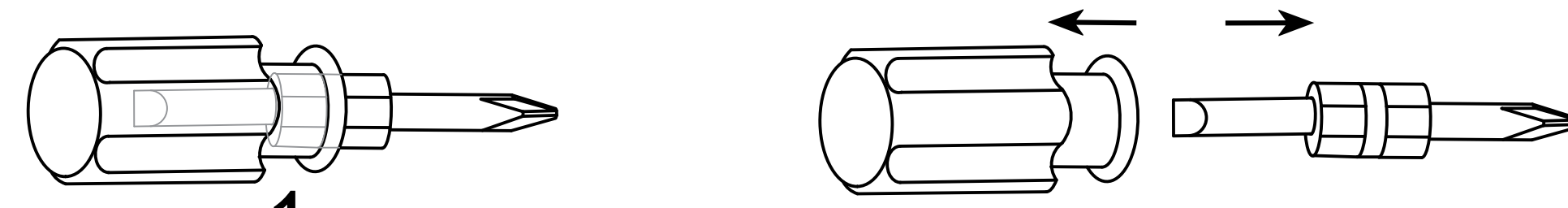
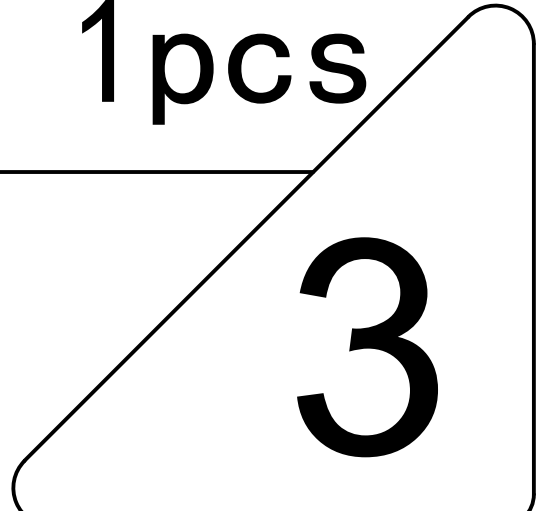
27x1



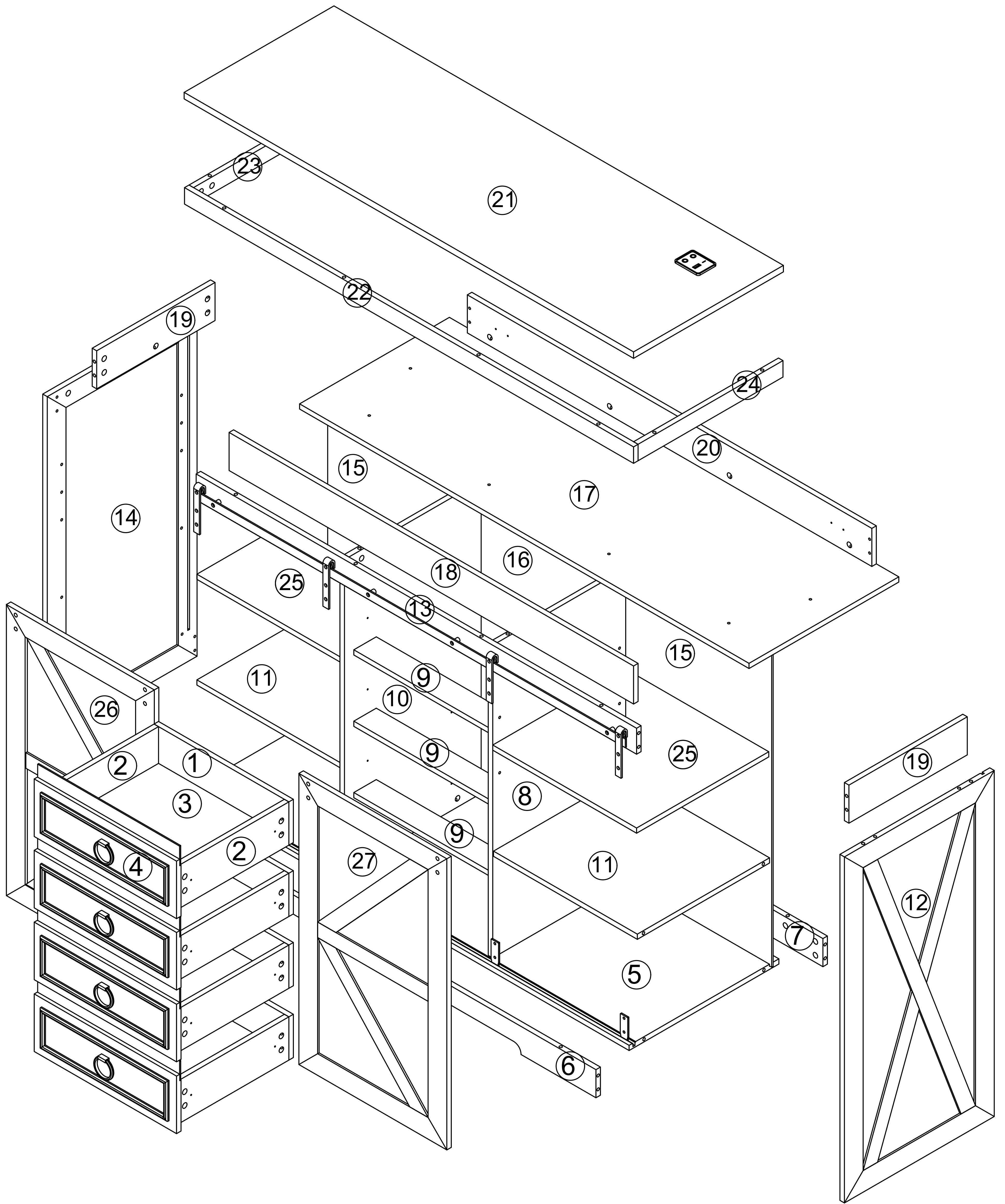
28x1

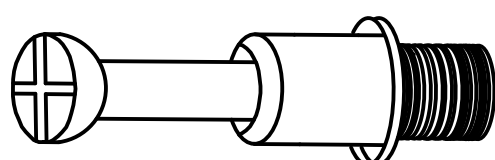
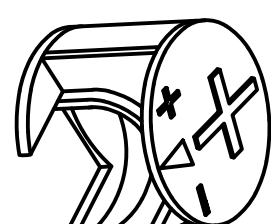



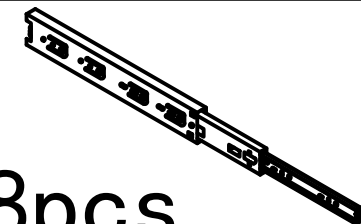
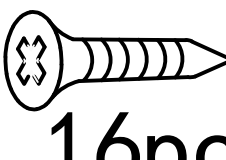
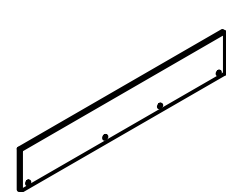
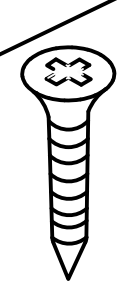


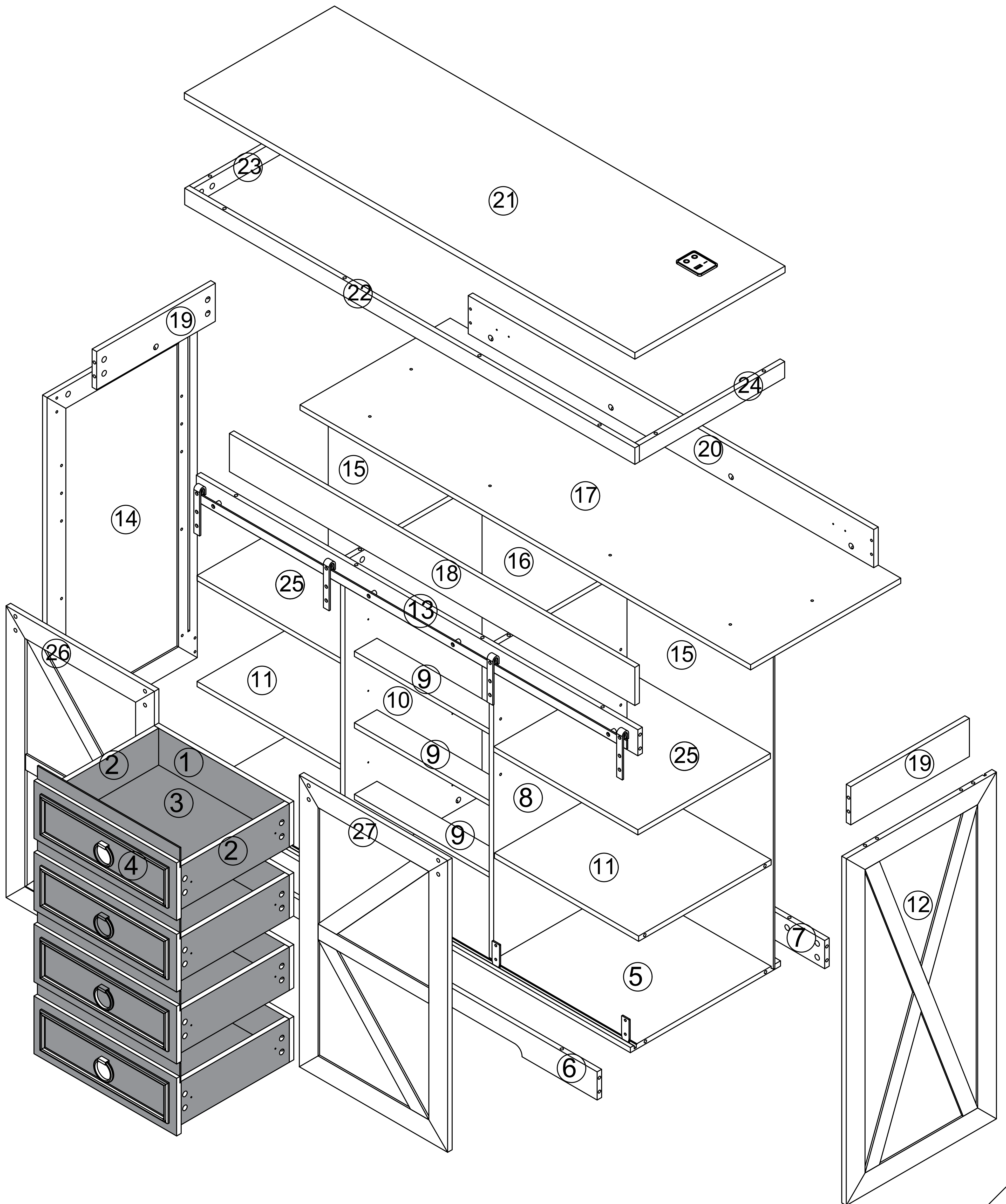
Accessories list

A		Two In One Screw (6x28mm)	122pcs +6pcs
B		Two In One Nut (10x12mm)	122pcs +6pcs
C		Wood Chipping (6x30mm)	12pcs +2pcs
D		Pull loop handle (4x16mm)	4pcs
E		Screw & Guide (3x12mm)	8pcs 48pcs+4pcs
F		Acrylic & screw (3x10mm)	4pcs 16pcs+2pcs
G		Non-slip pads	6pcs
H		Concealed lock & Screw (3x12mm)	6pcs +1pcs 2pcs 1pcs
I		Hinge & Screw (3.5x12mm)	18pcs +2pcs 3pcs
J		Laminate support nail	8pcs
K		Screw (6x28mm)	4pcs
L		Iron guide rail	1pcs
M		Plastic slide & Screw (3.5x12mm)	8pcs 4pcs
N		Handle & Screw (4x16mm)	4pcs +1pcs 2pcs
O		Iron guide rail hook	4pcs
P		Screw (6x12mm)	8pcs +1pcs
Q		Fixing clip & screw (3x16mm)	18pcs
R		Clamp	1pcs
S		Anti-tipping tape Screw (3.5x12mm) Gasket	1pcs
T		Countersunk head tapping Screw (4x45mm)	1pcs
/		AC/DC Adapter (12V=3.0A)	1pcs
 1pcs Double-head screwdriver, use as required			 3

Product structure decomposition

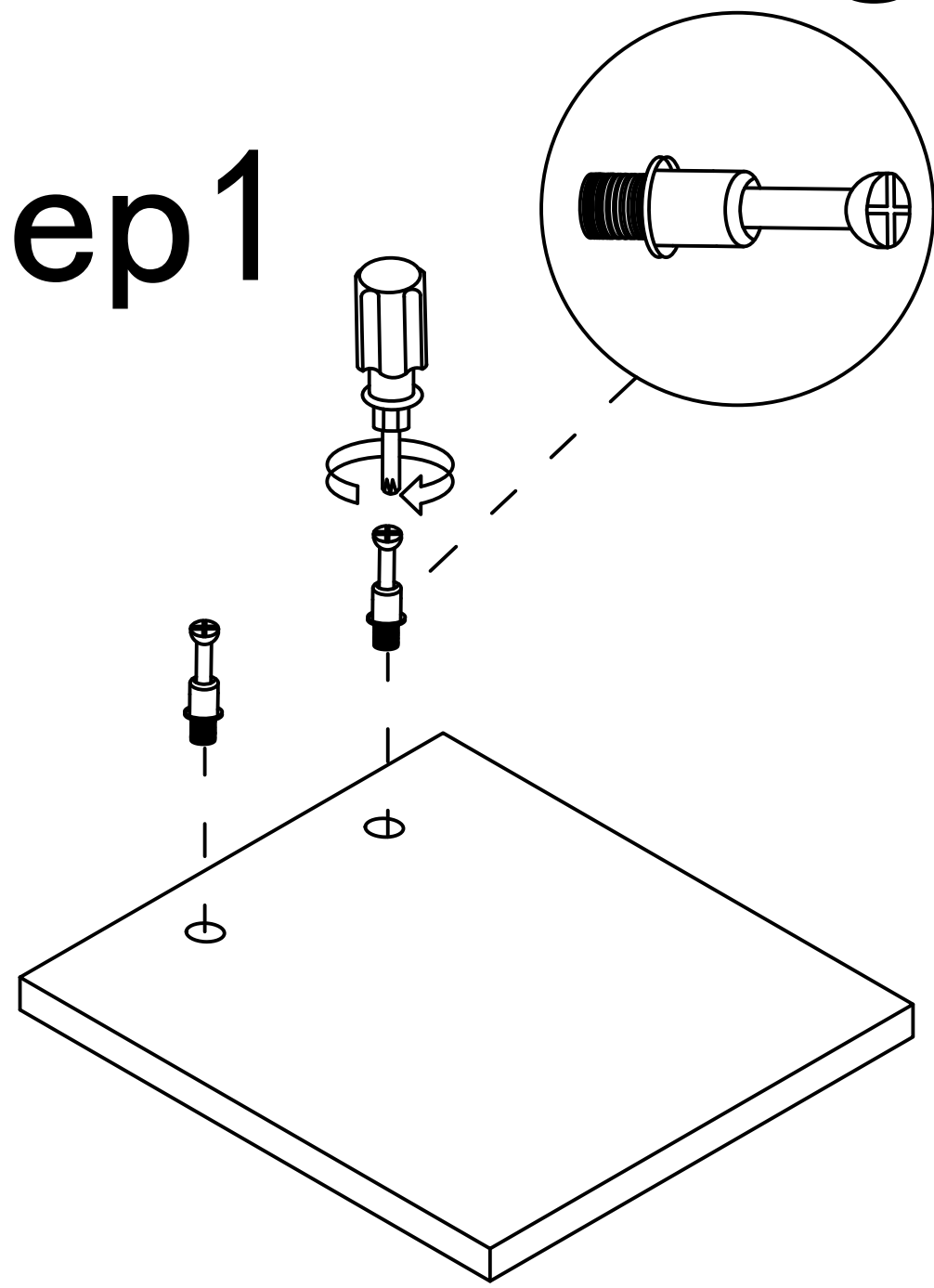


A		32pcs	B		32pcs	D	 x4  x4  x4
E	 8pcs  16pcs		F	 4pcs  16pcs			

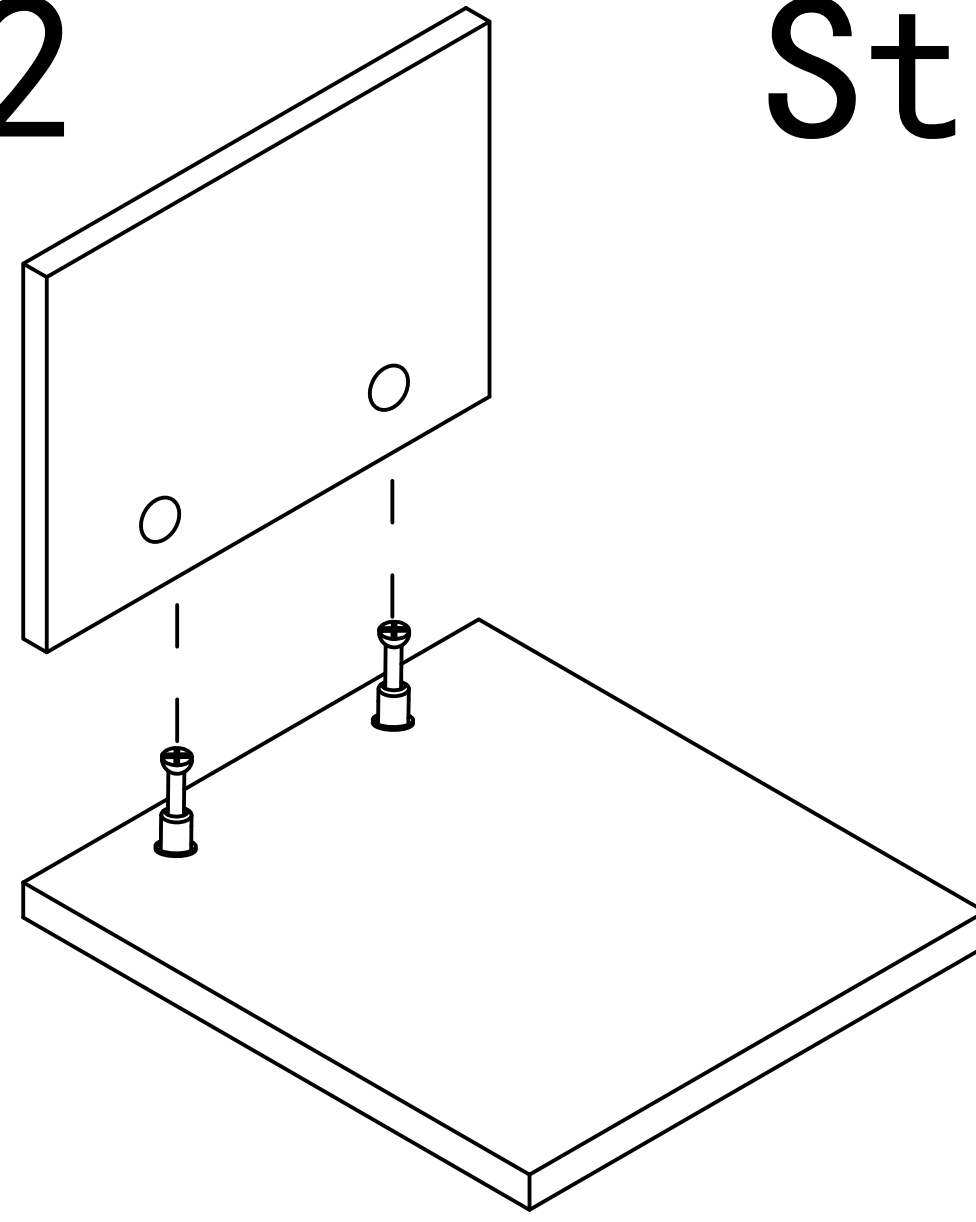


Use parts A and B

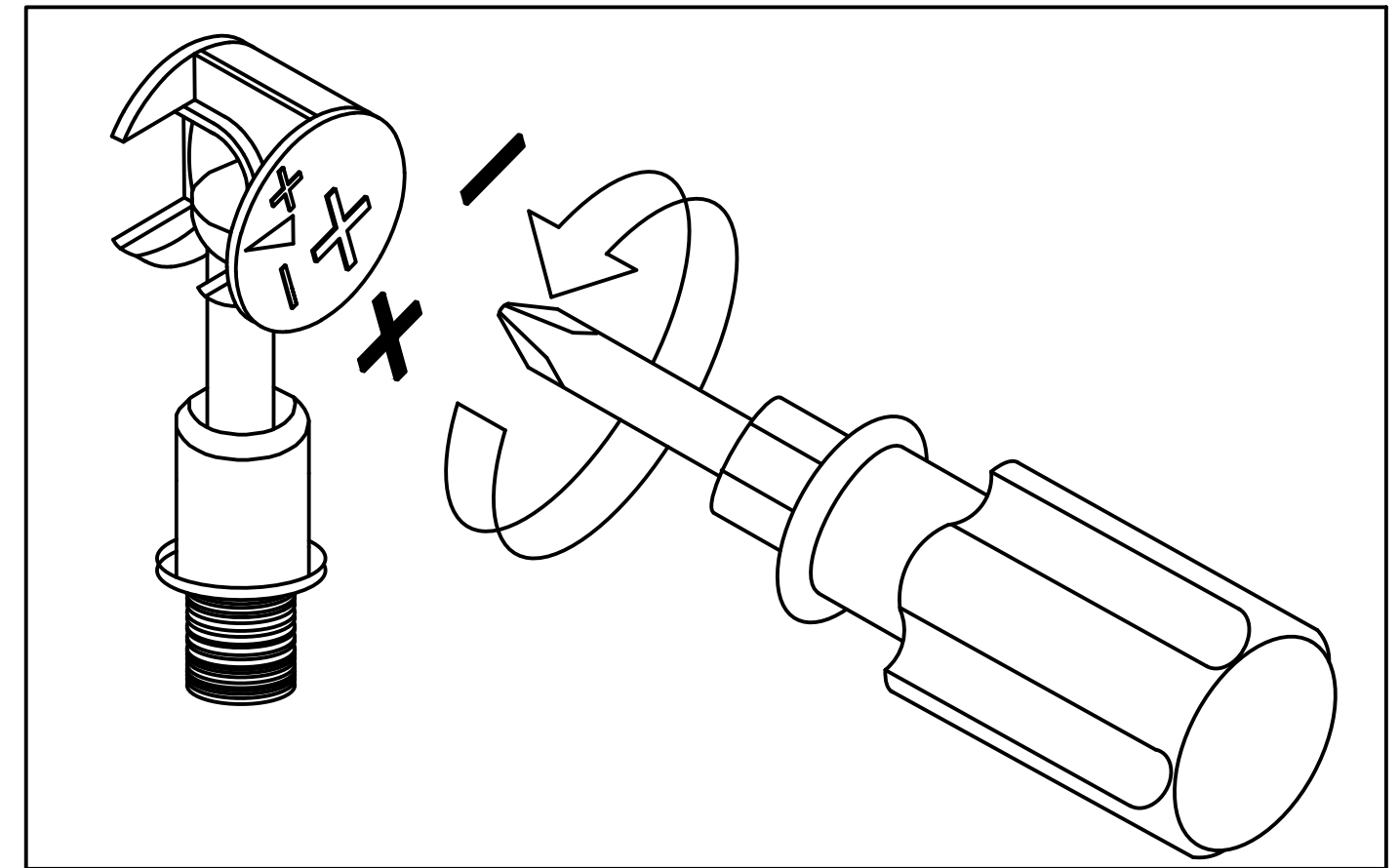
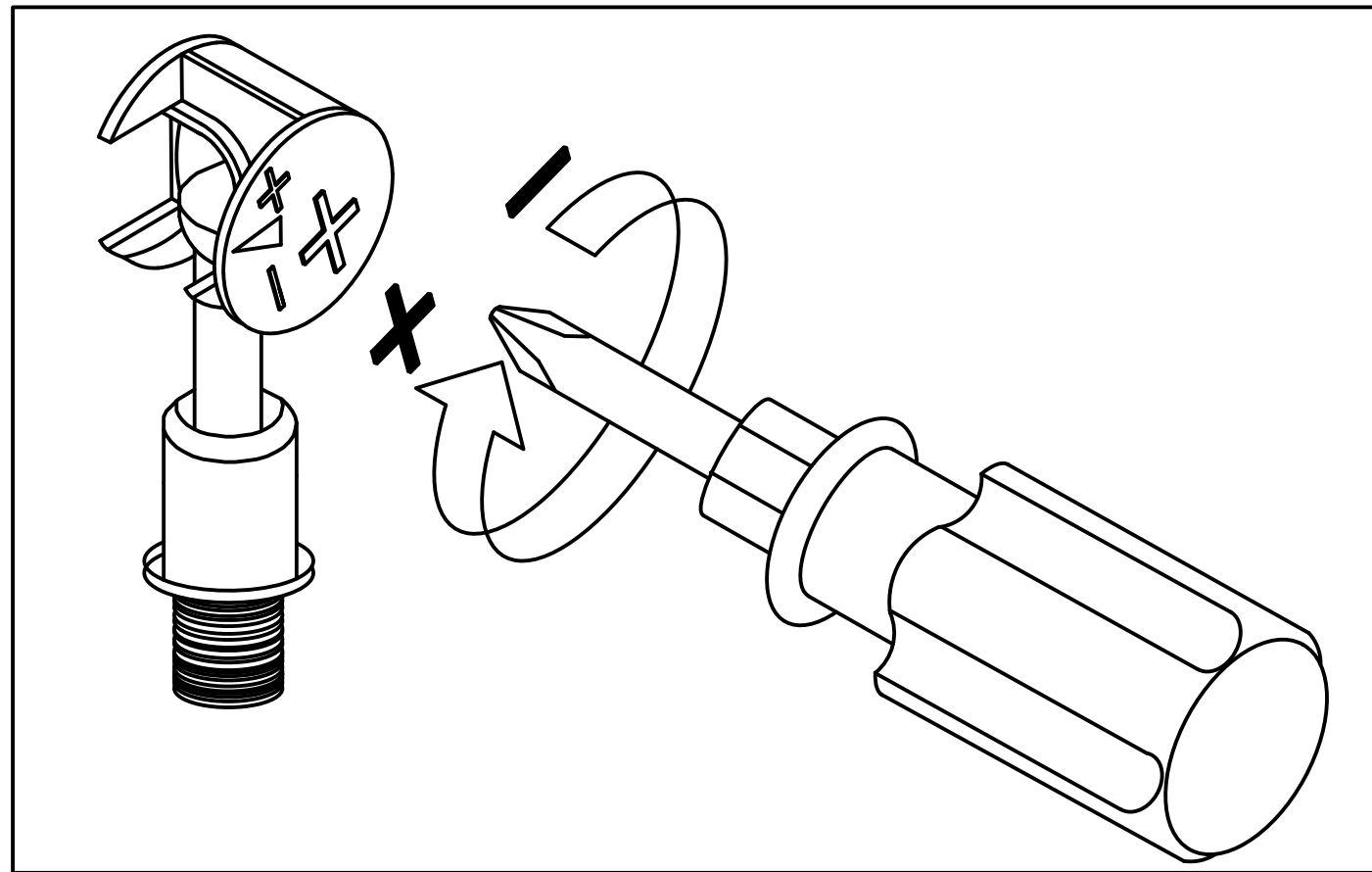
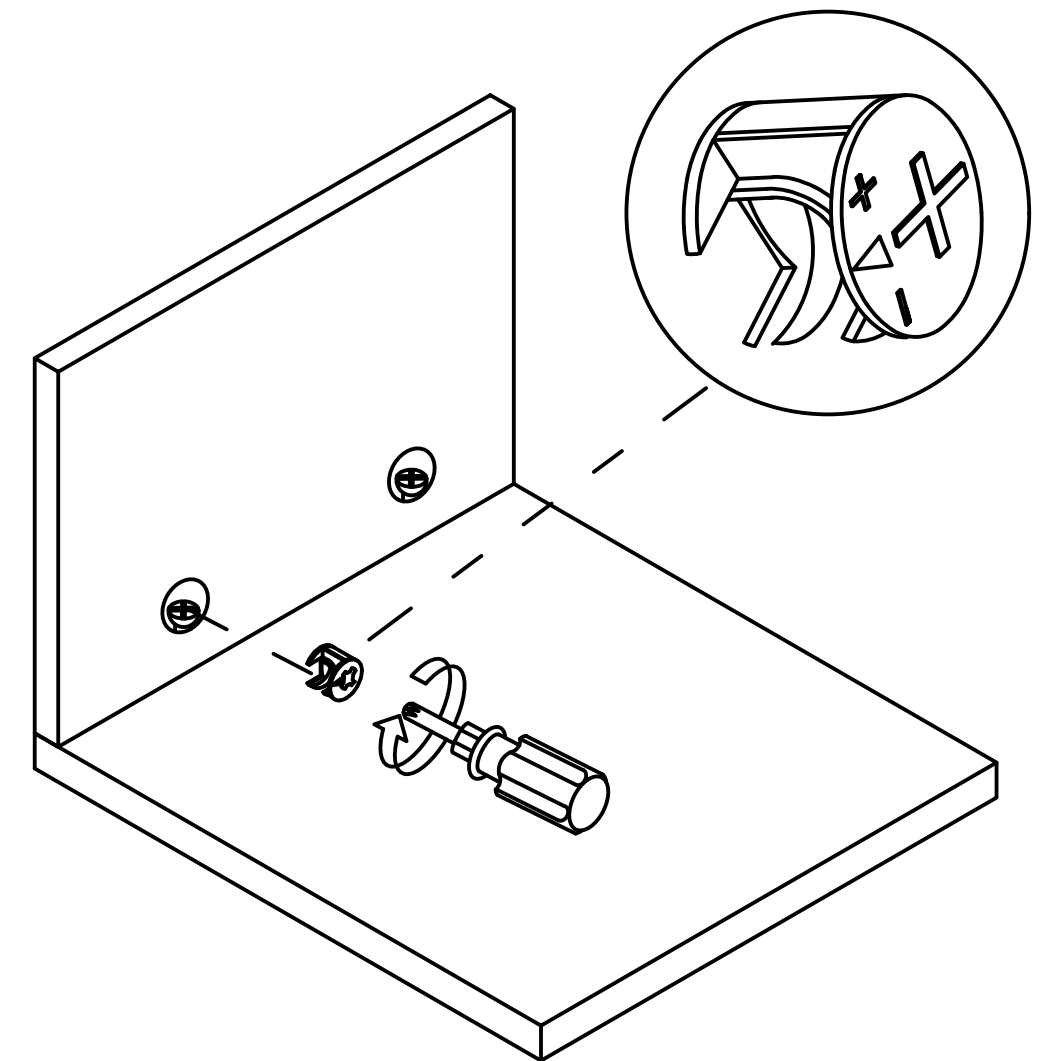
Step 1



Step 2



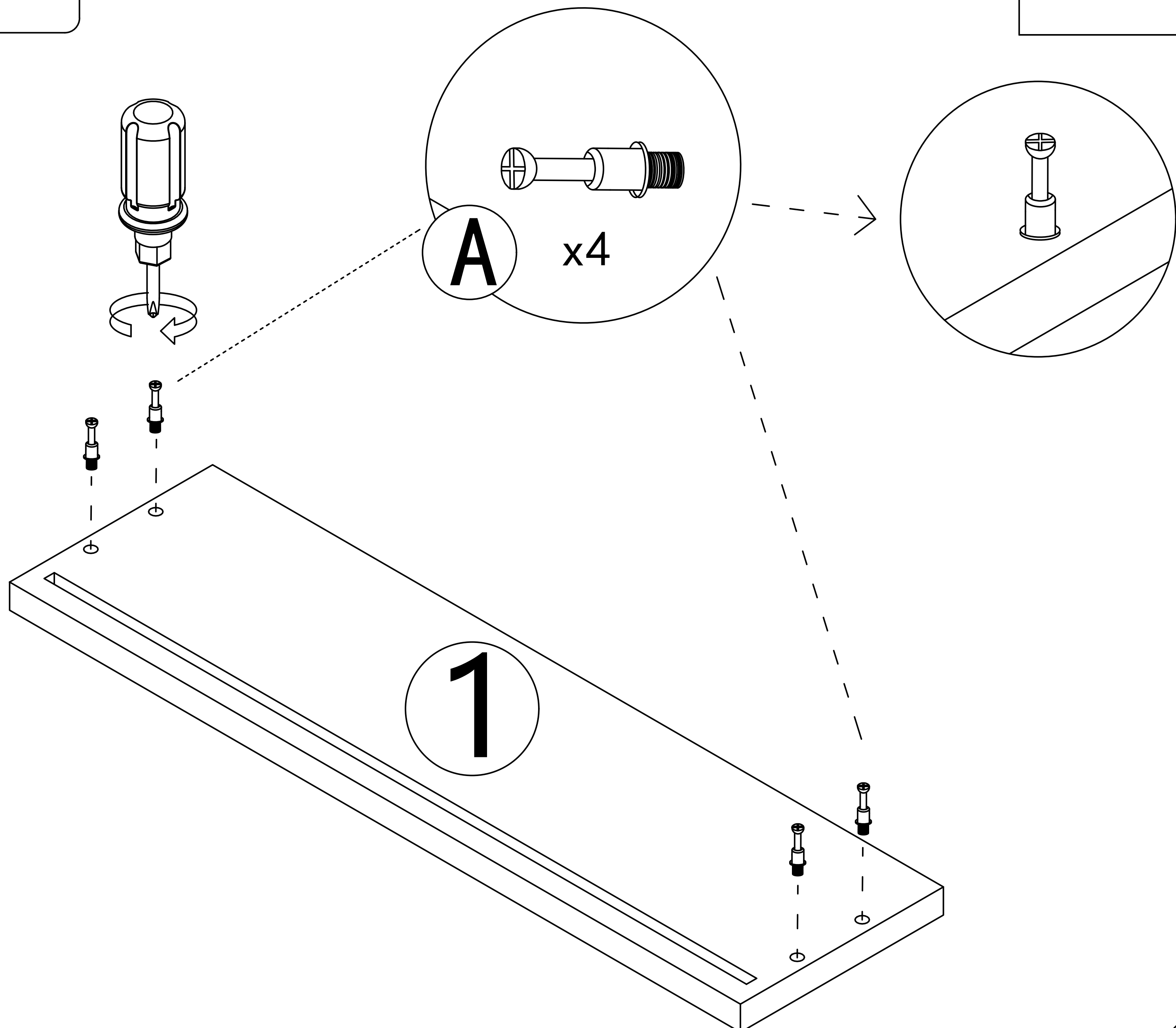
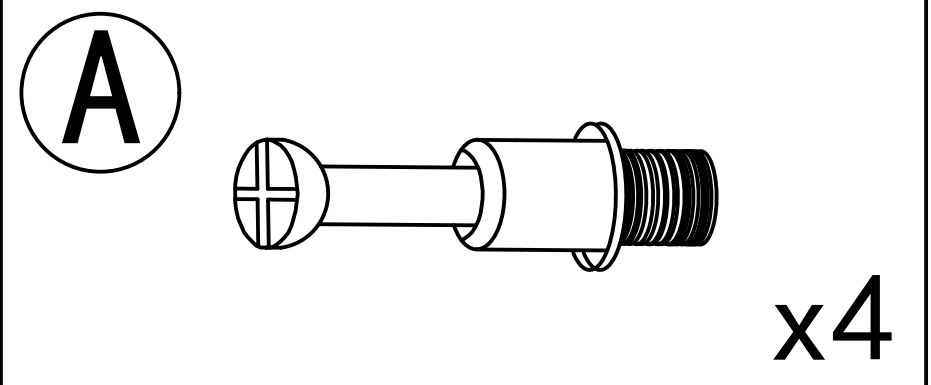
Step 3



Use a screwdriver to lock in the direction of the "+" sign

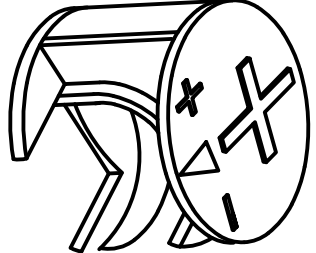
Disassemble along the direction of "-" sign

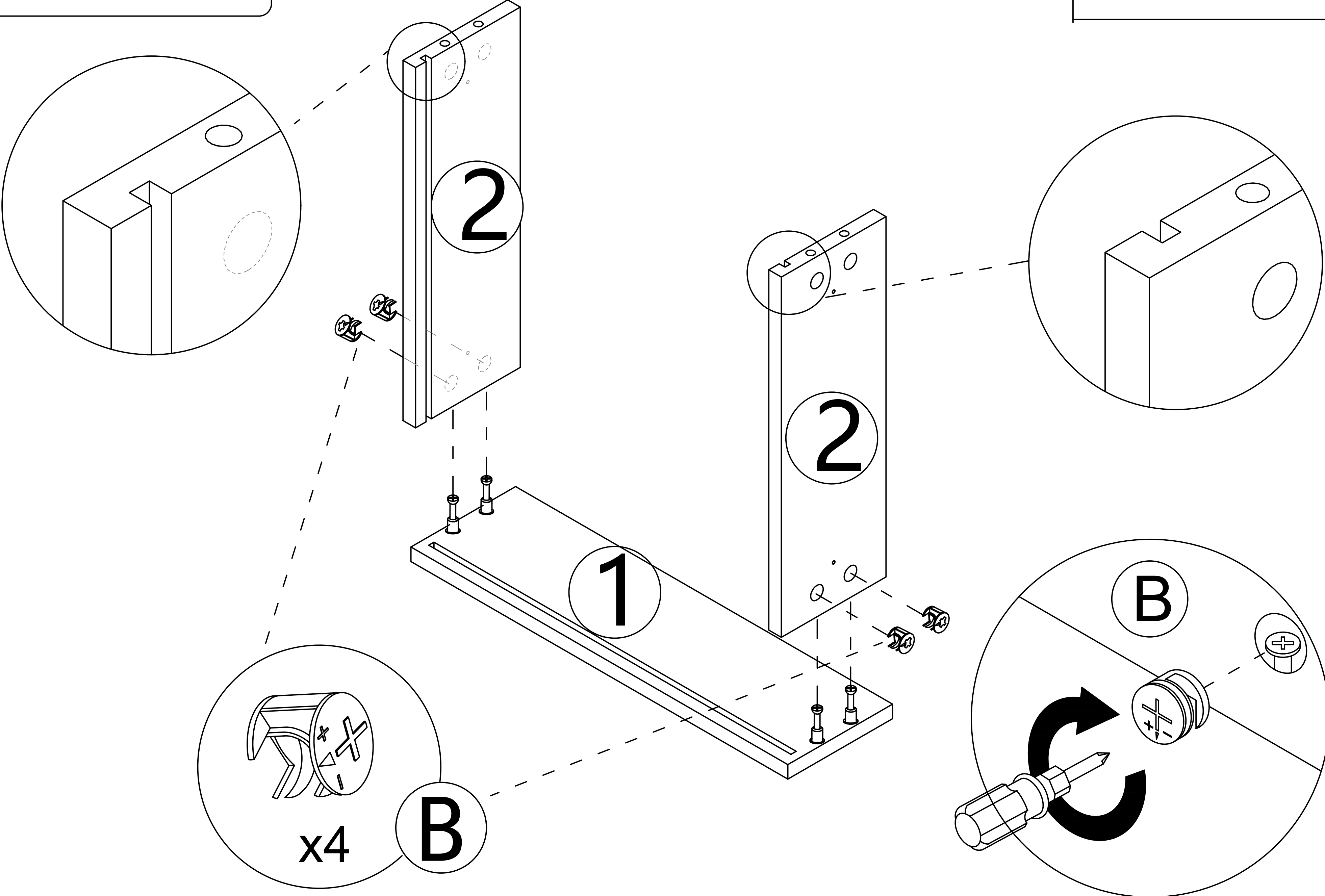
Step 1



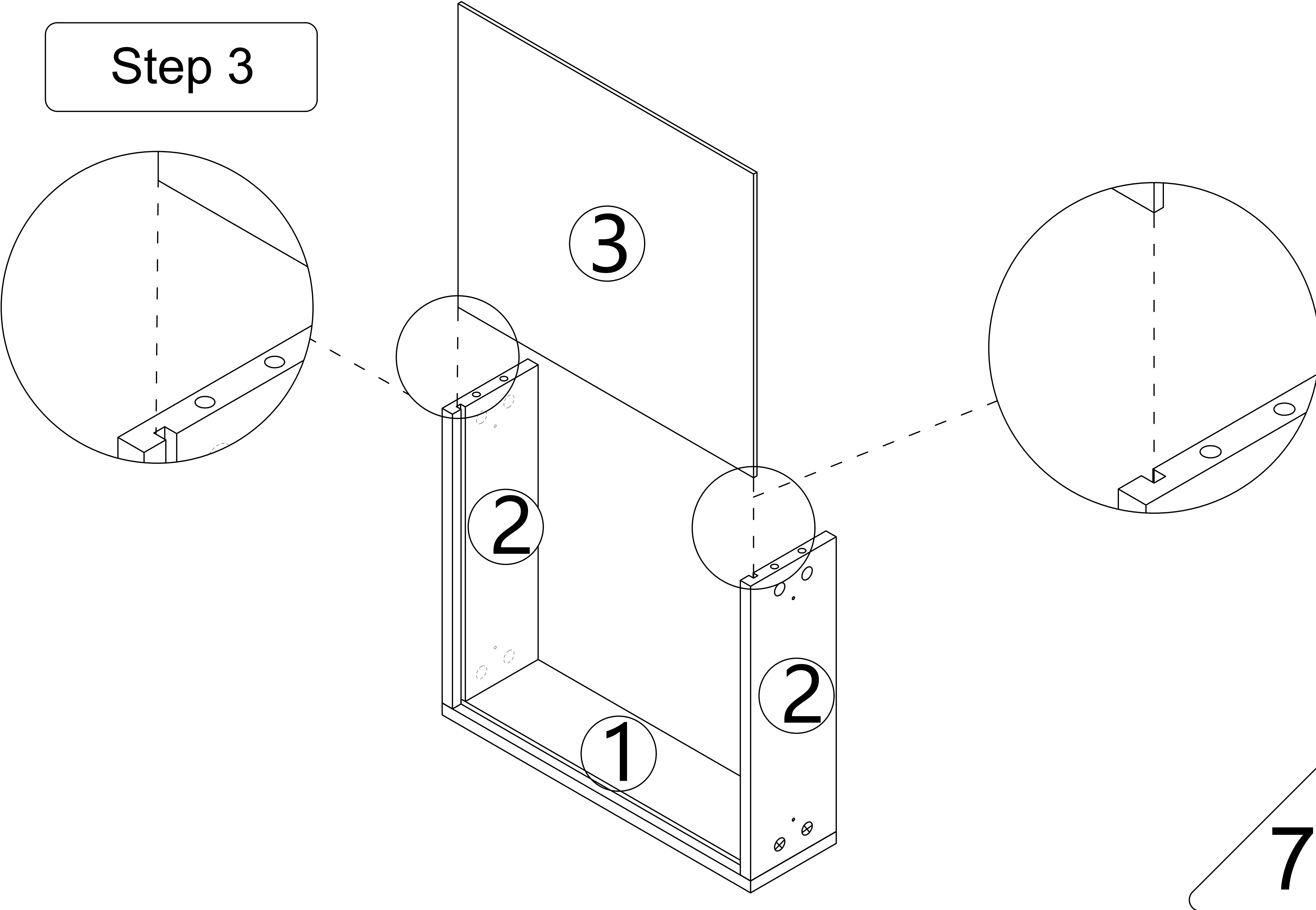
6

Step 2

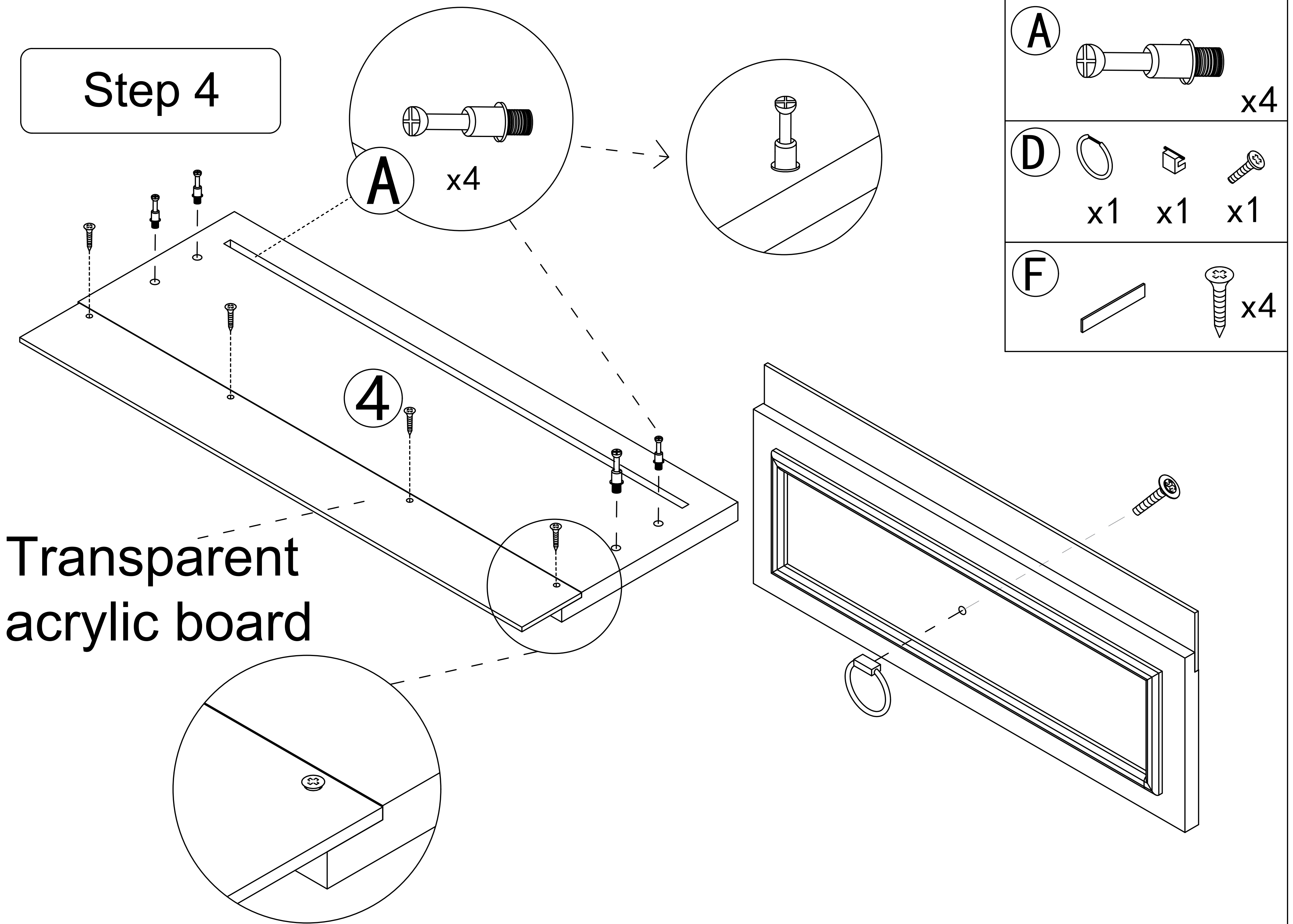
B  x4



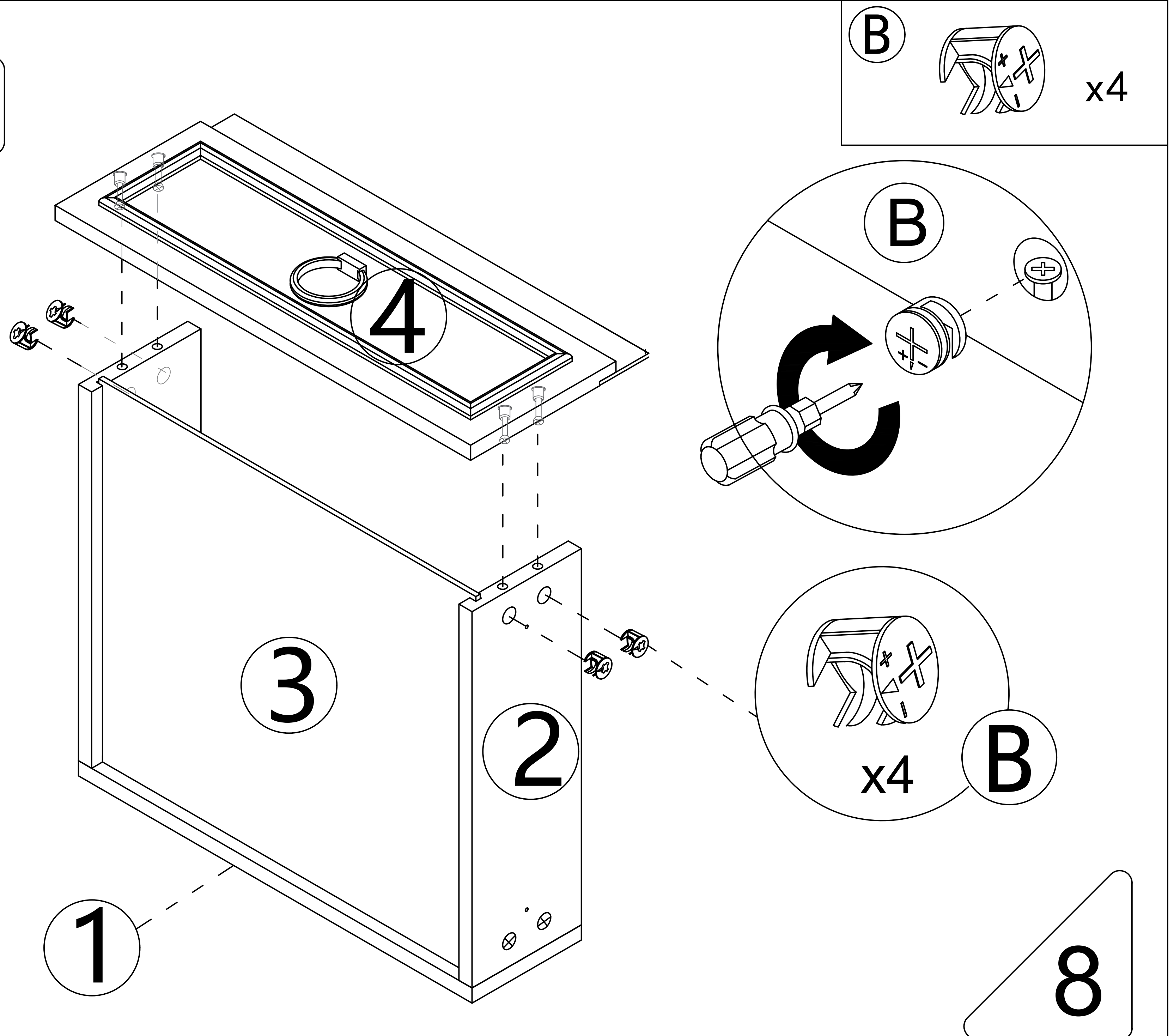
Step 3



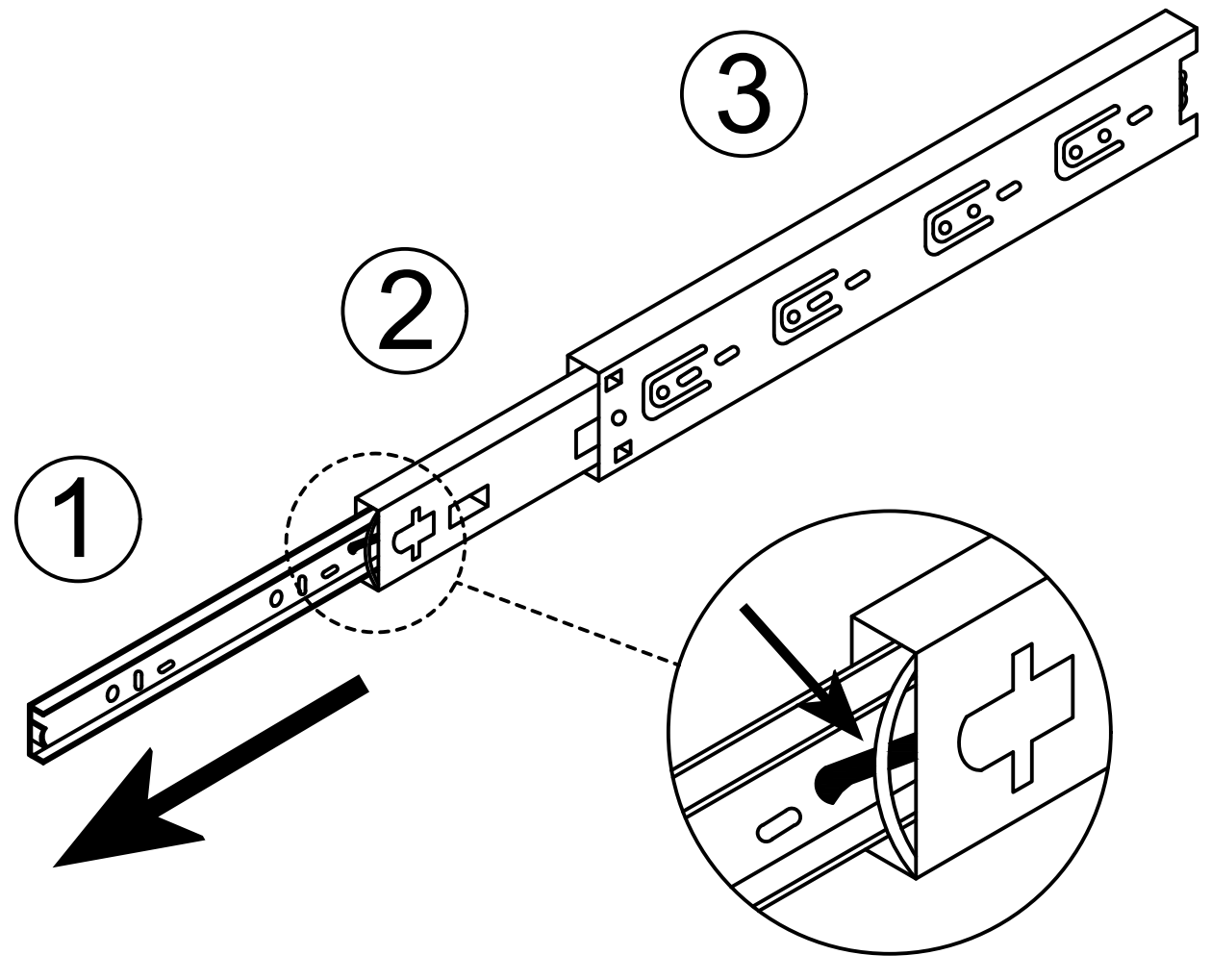
Step 4



Step 5

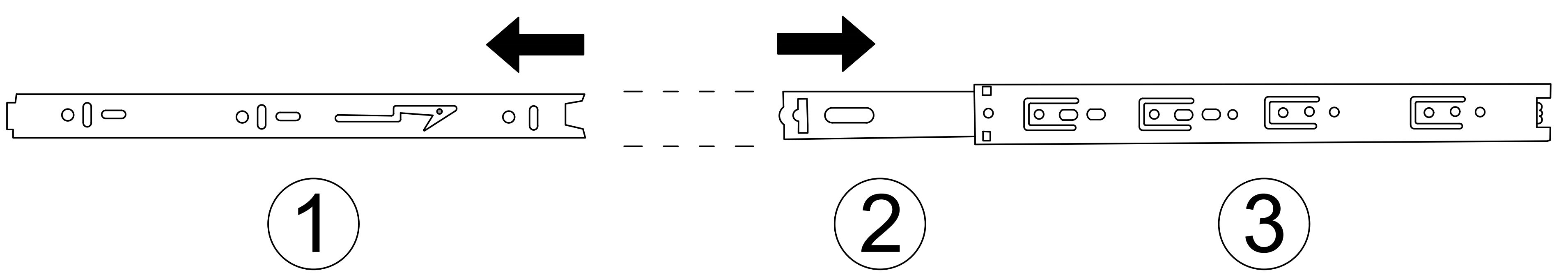
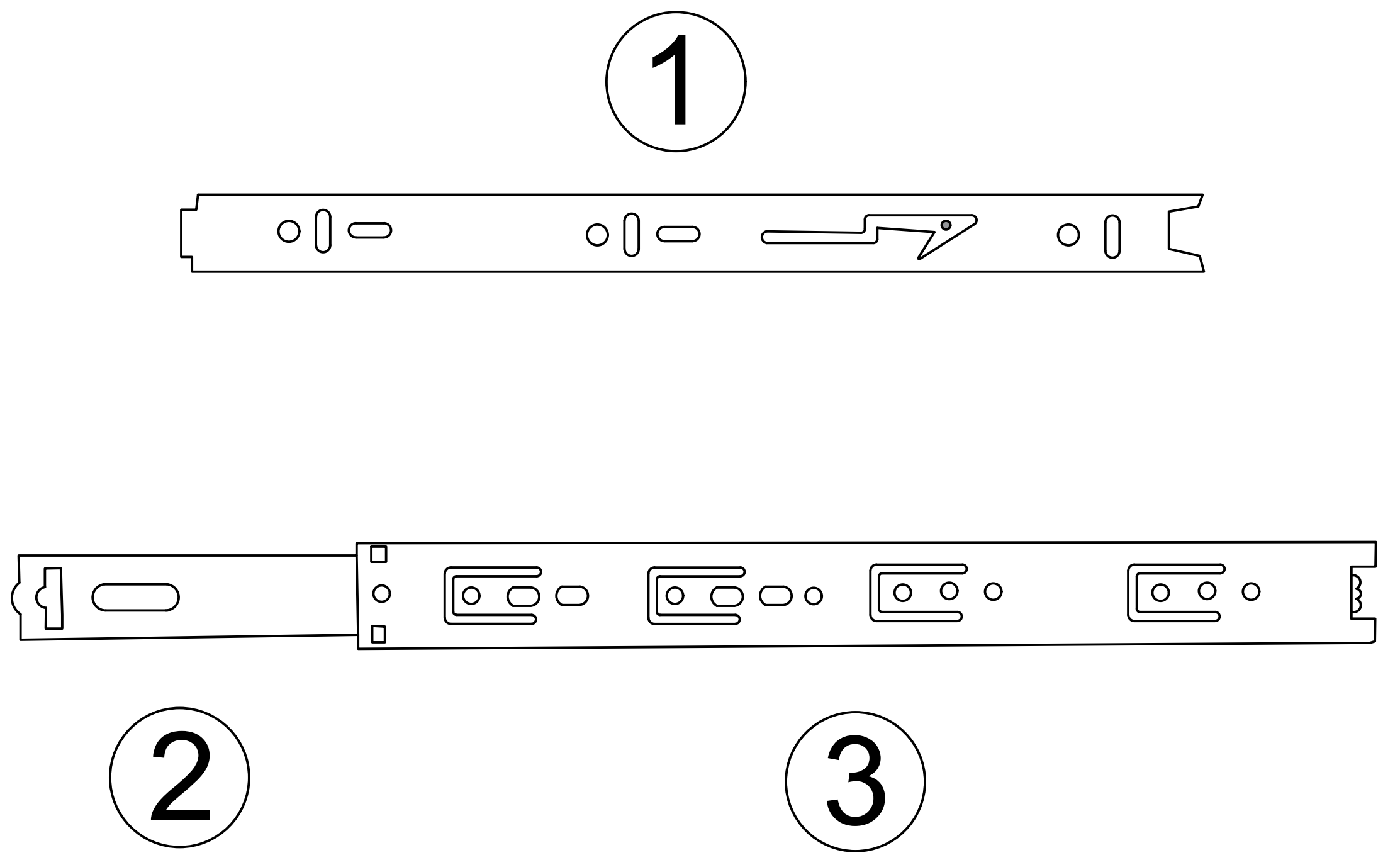


Drawer rail breakdown diagram

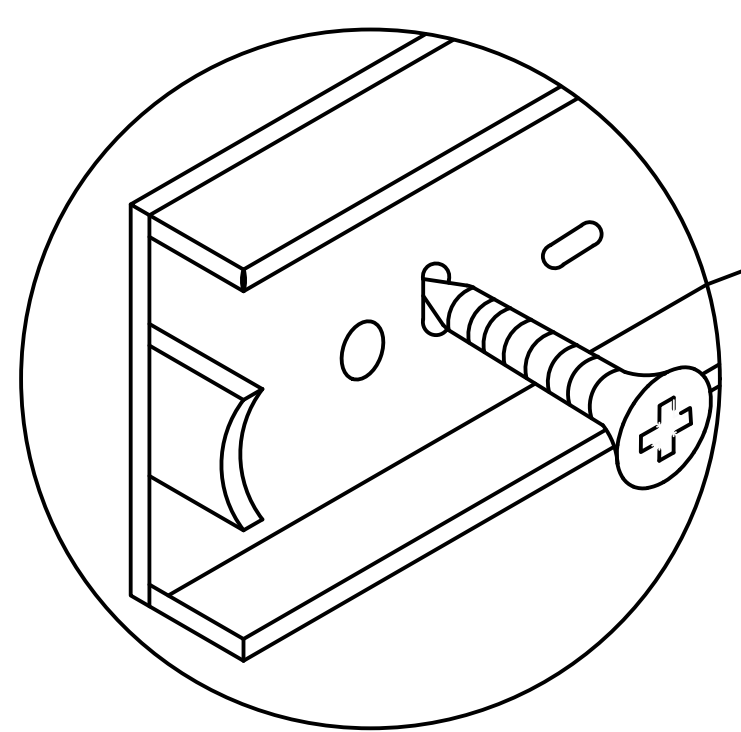
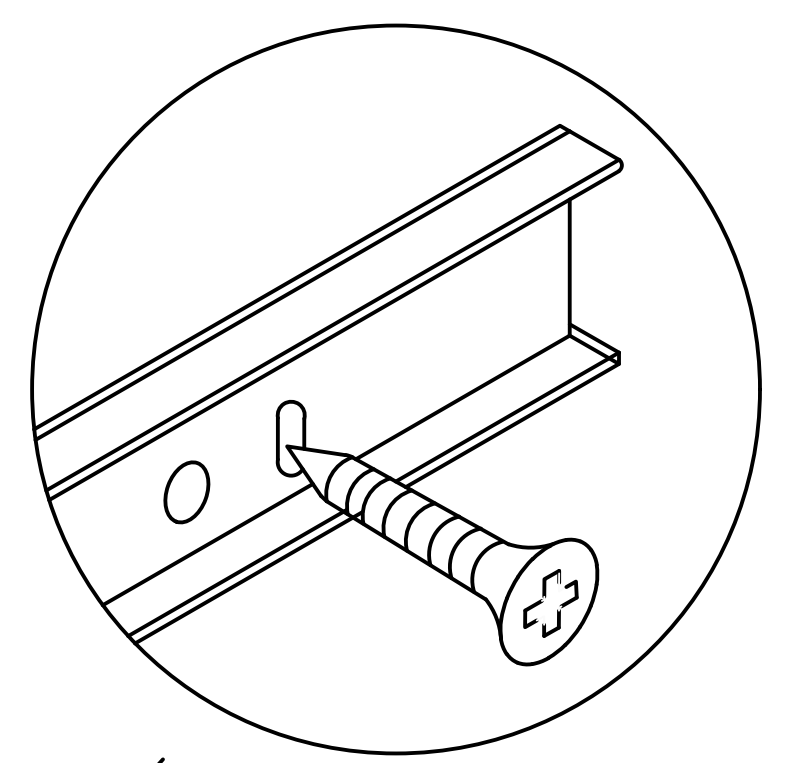
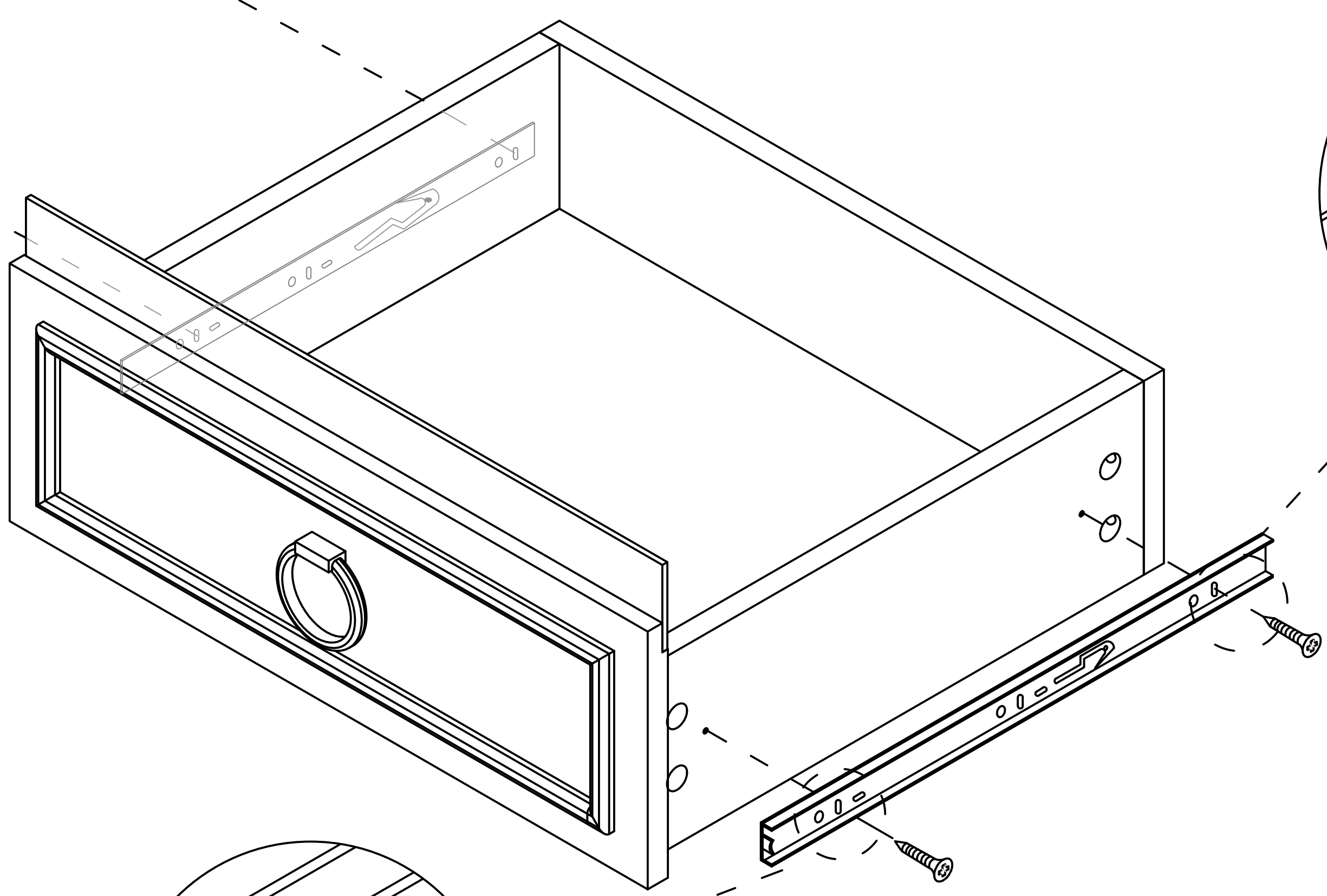
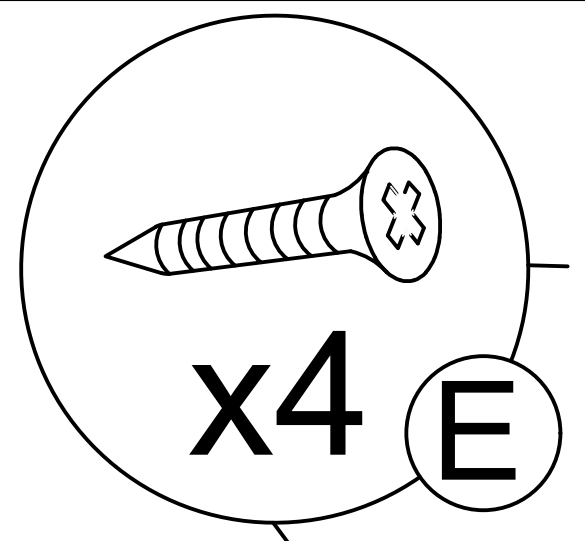
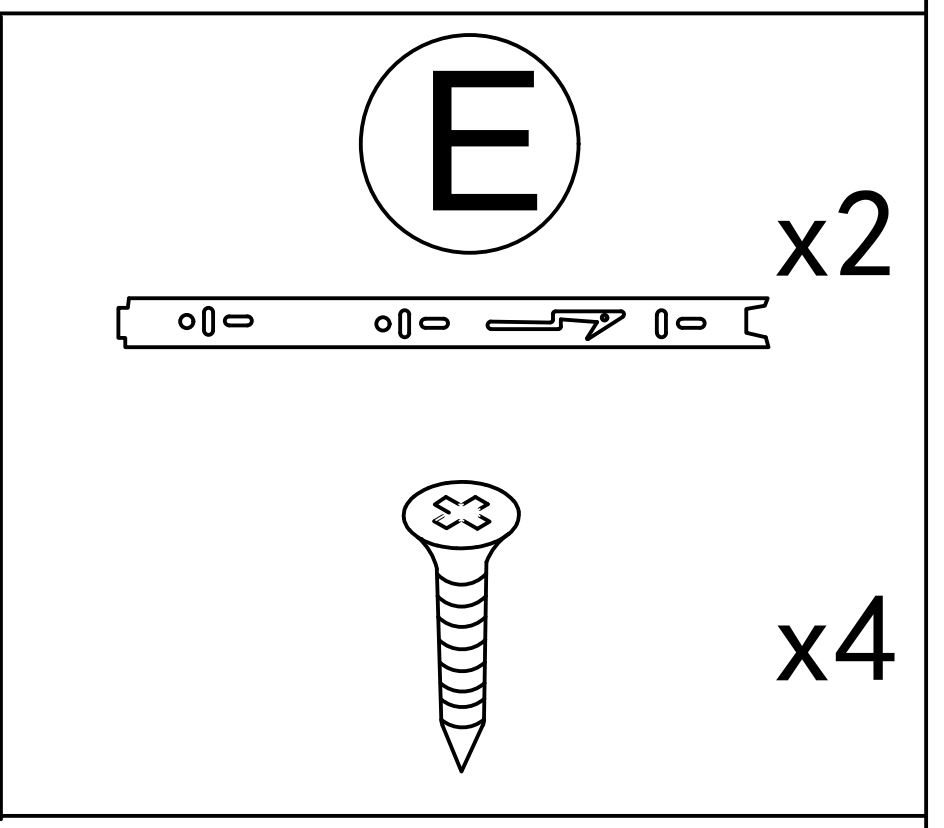
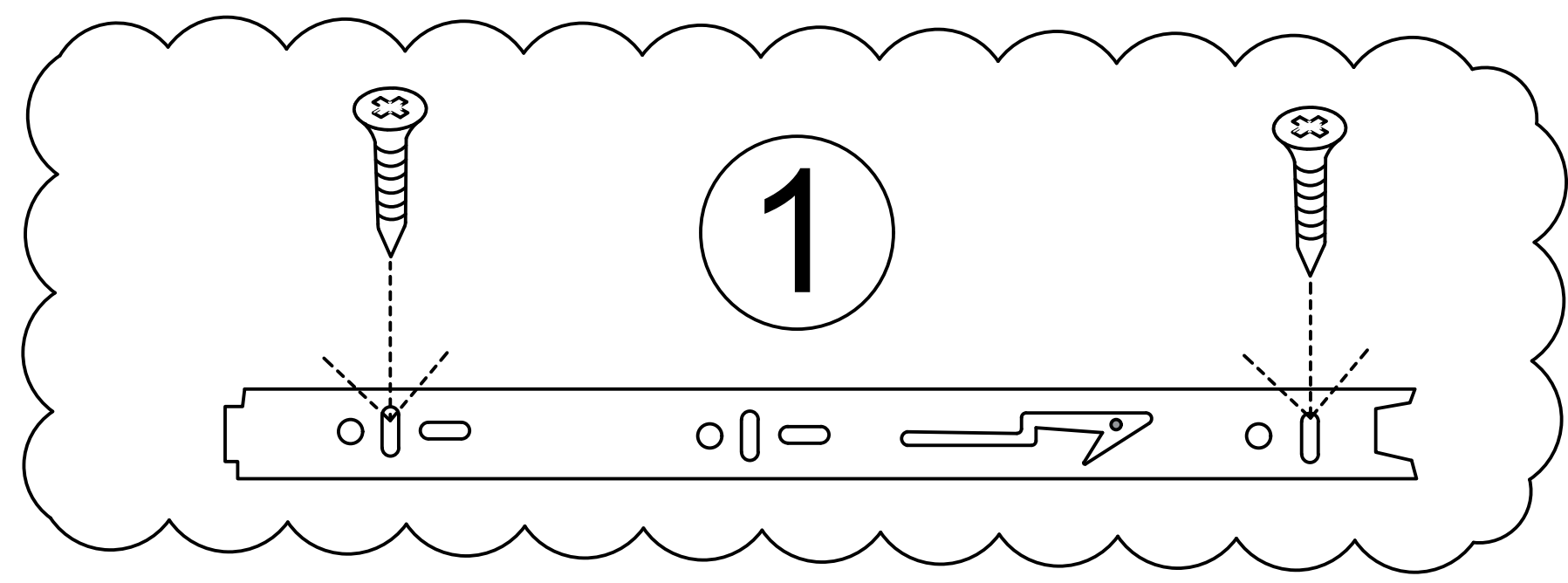


Step 1 : Pull the rails apart

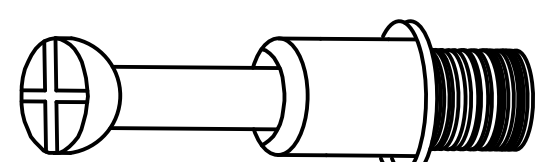
Step 2 : Push the nylon buckle outward ①

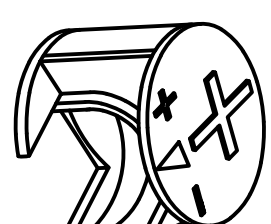





Step 6

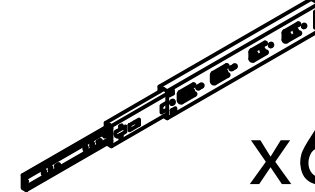
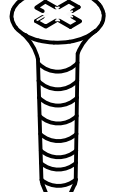


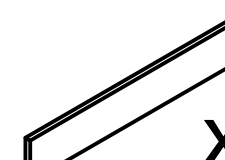
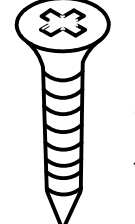
Step 7

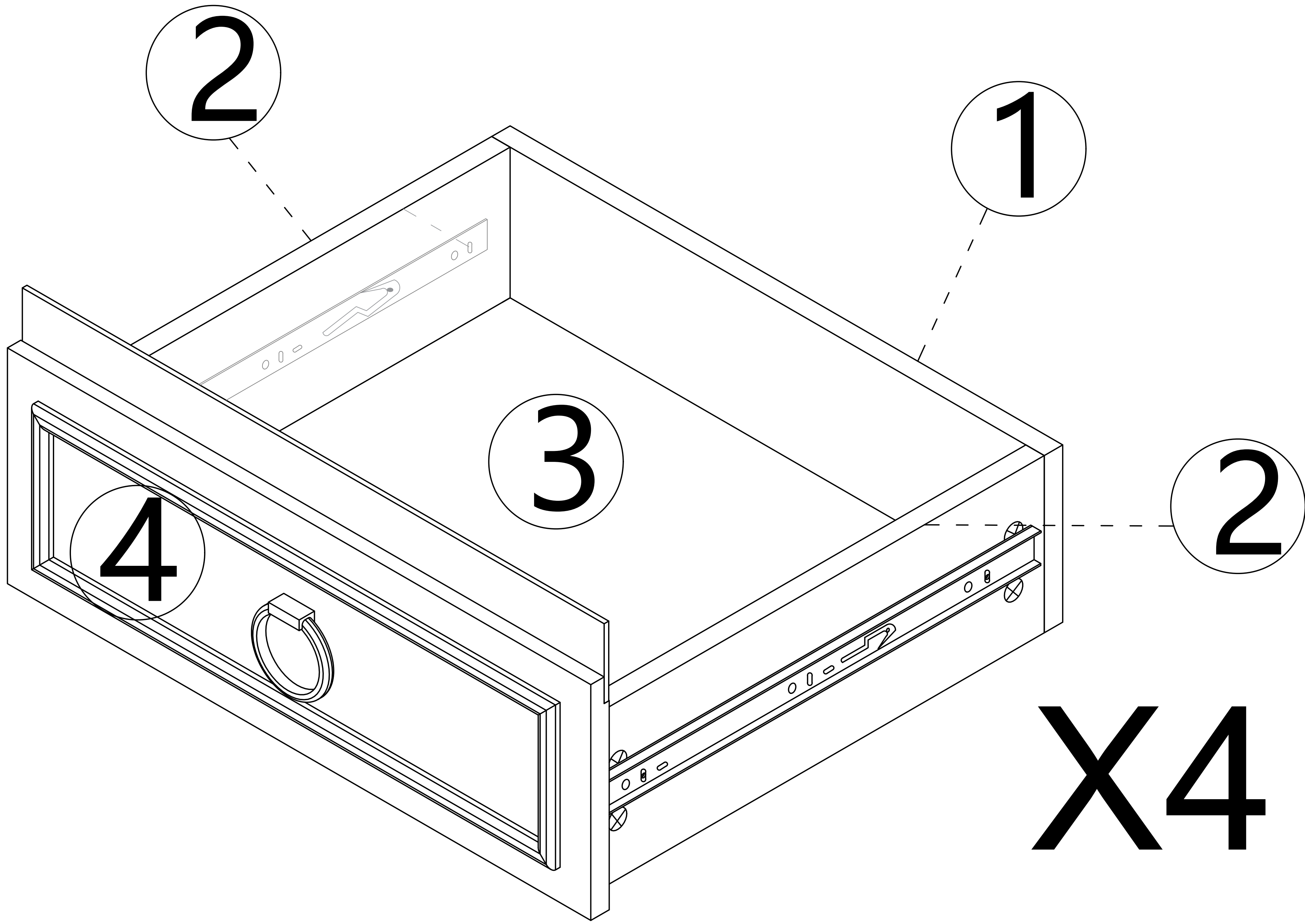
A  x24

B  x24

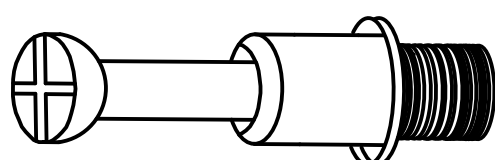
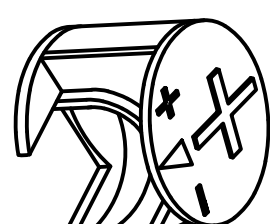
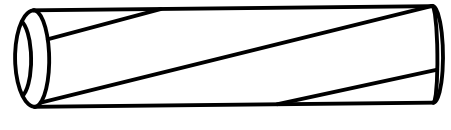
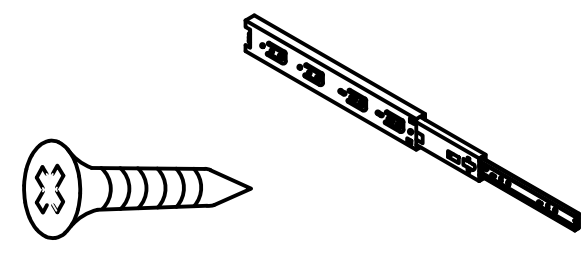

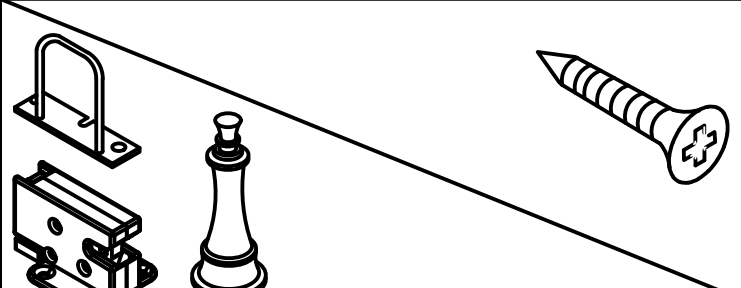
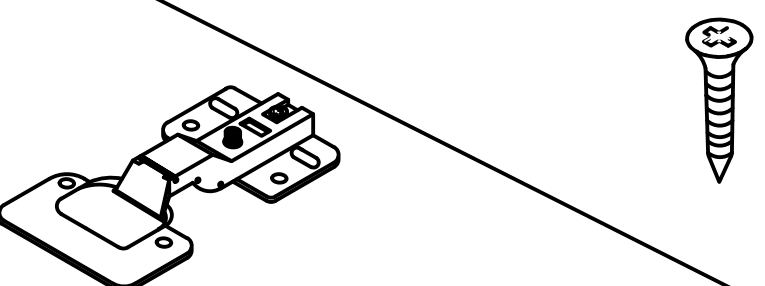
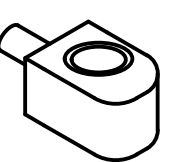
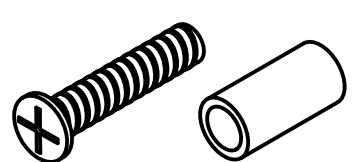
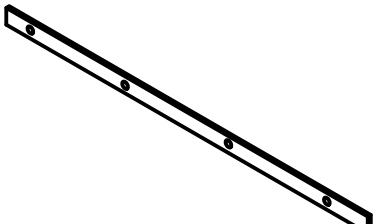
D  x3  x3  x3

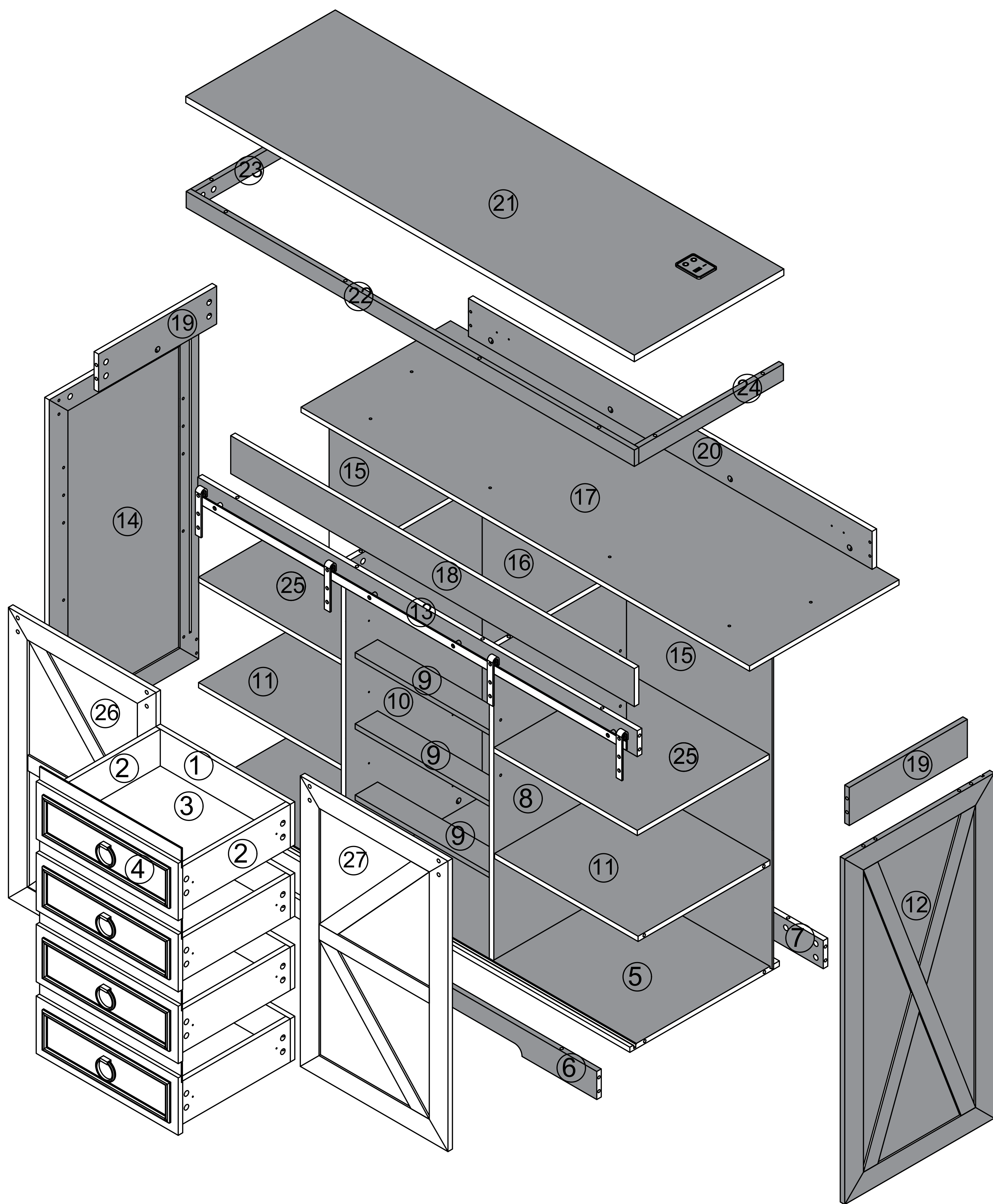
E  x6  x12

F  x3  x12

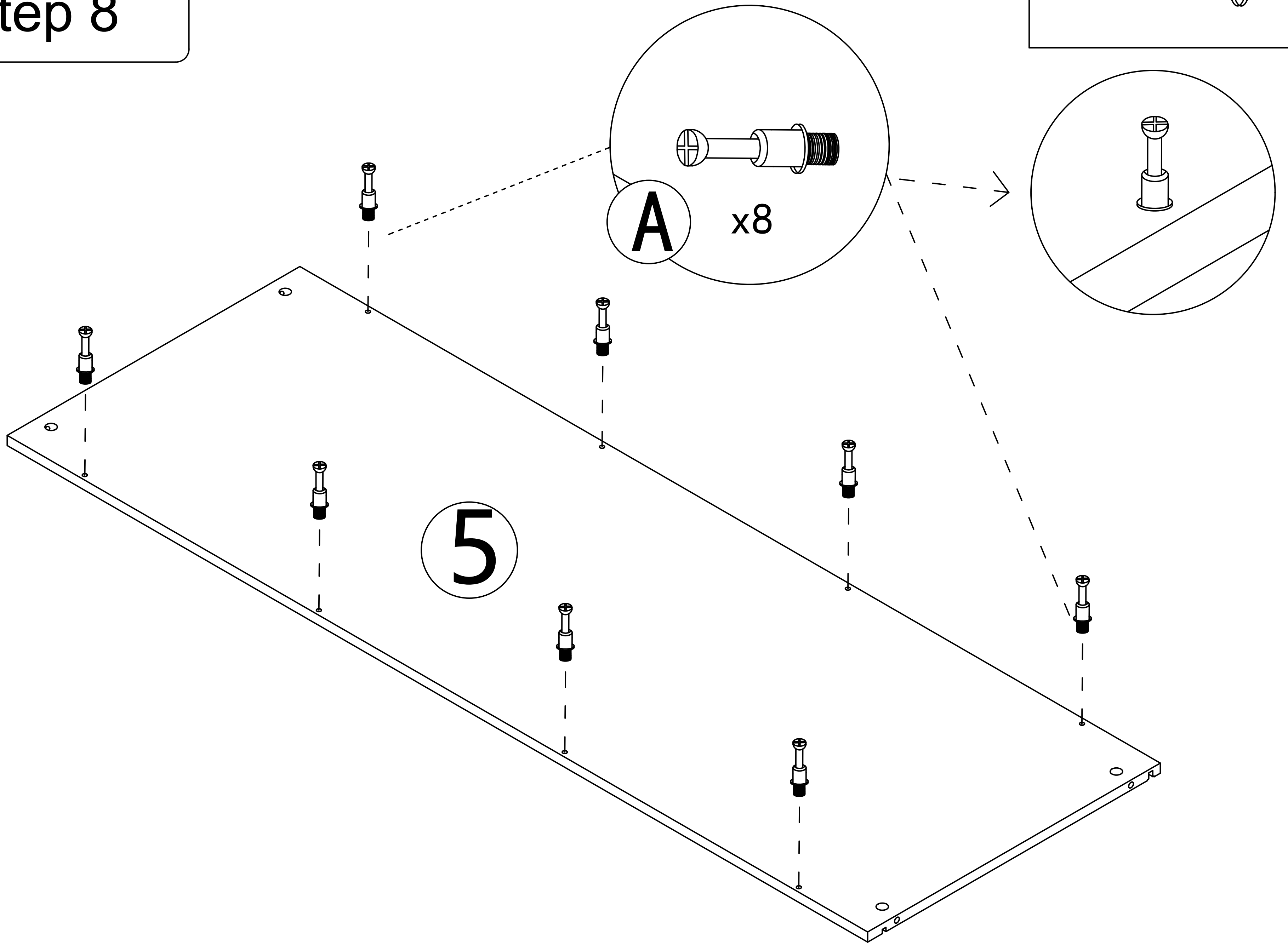
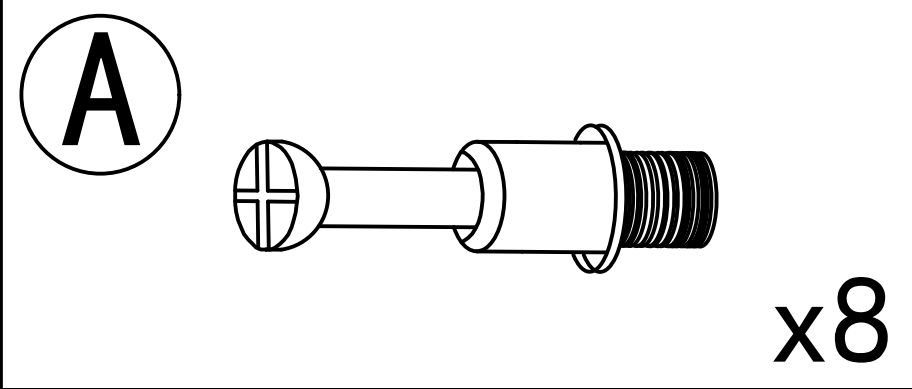


Repeat the drawer installation steps

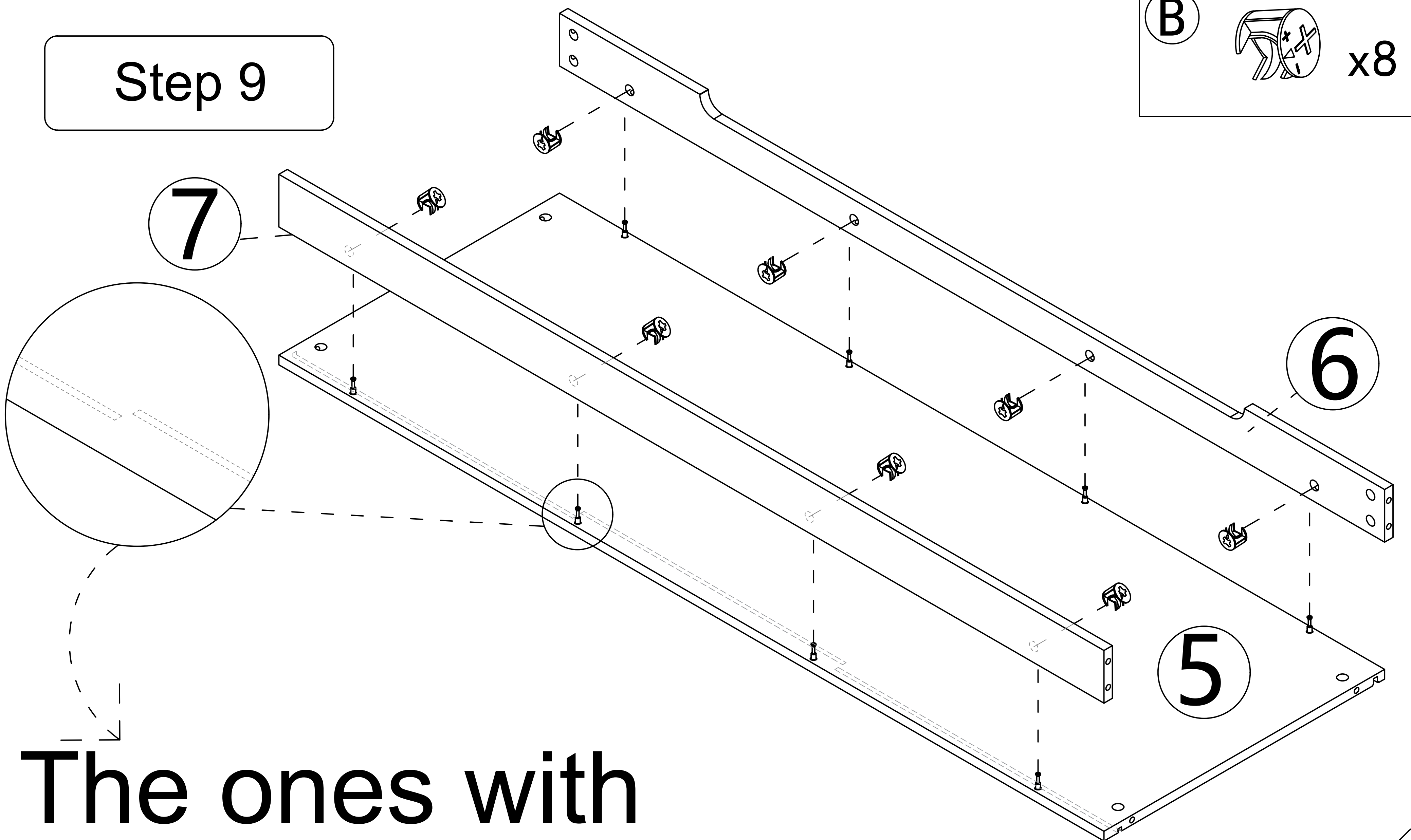
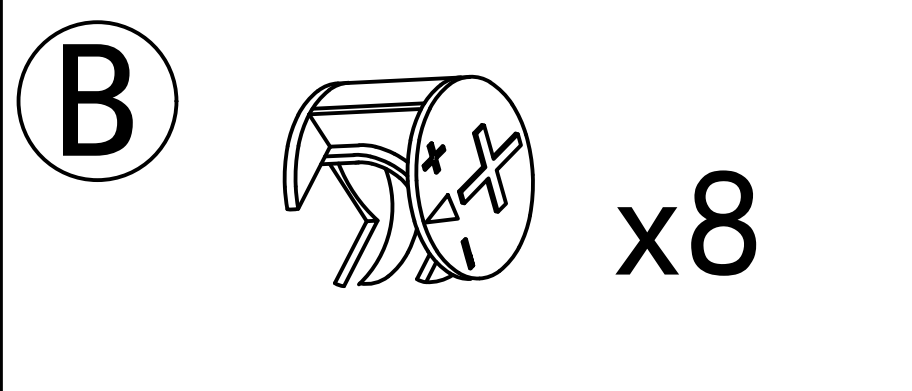
A		32pcs	B		32pcs	C		12pcs
E		8pcs 24pcs	G		7pcs	H		6pcs 1pcs
I		18pcs 3pcs	J		8pcs	K		4pcs
L		1pcs						



Step 8

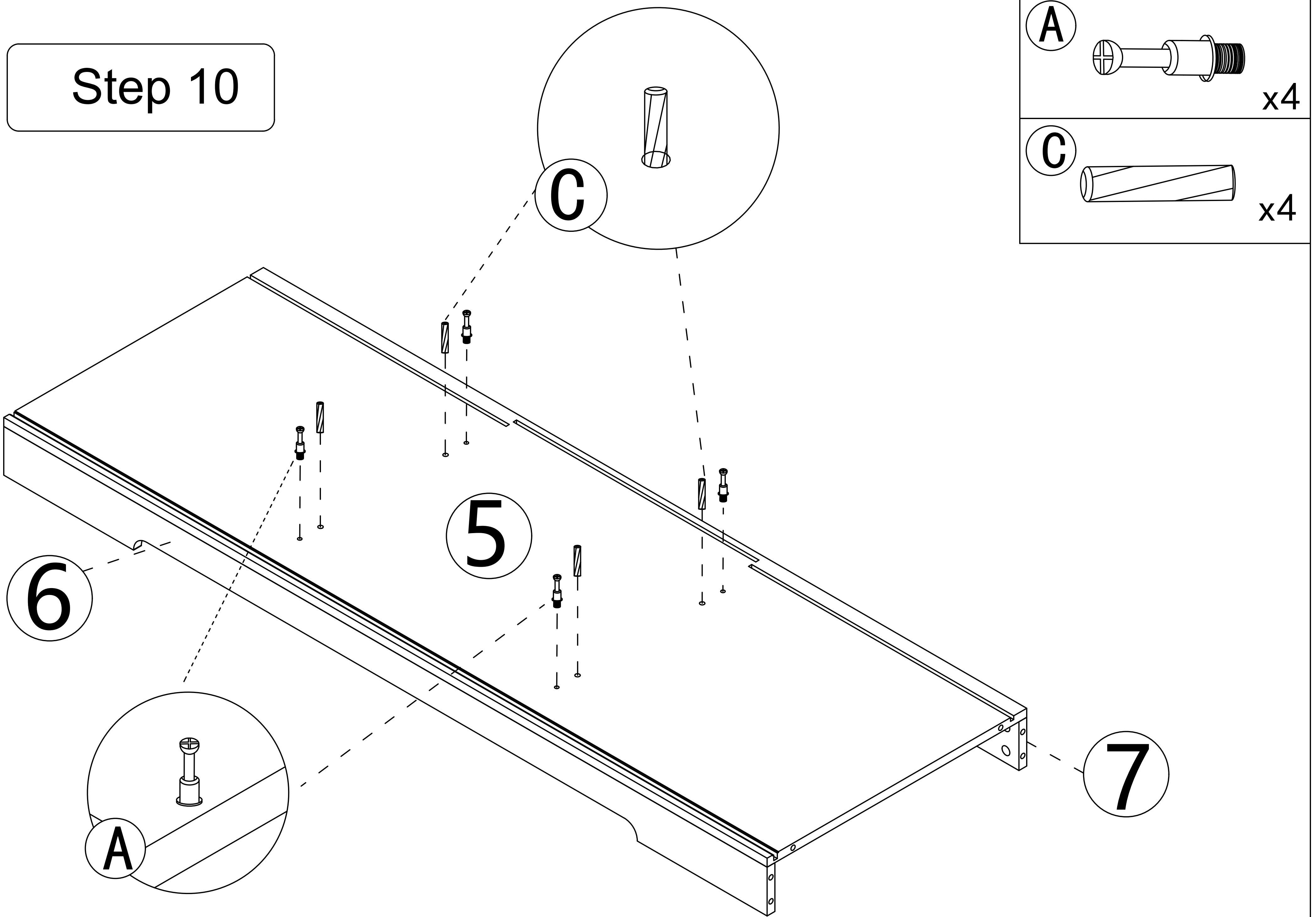


Step 9

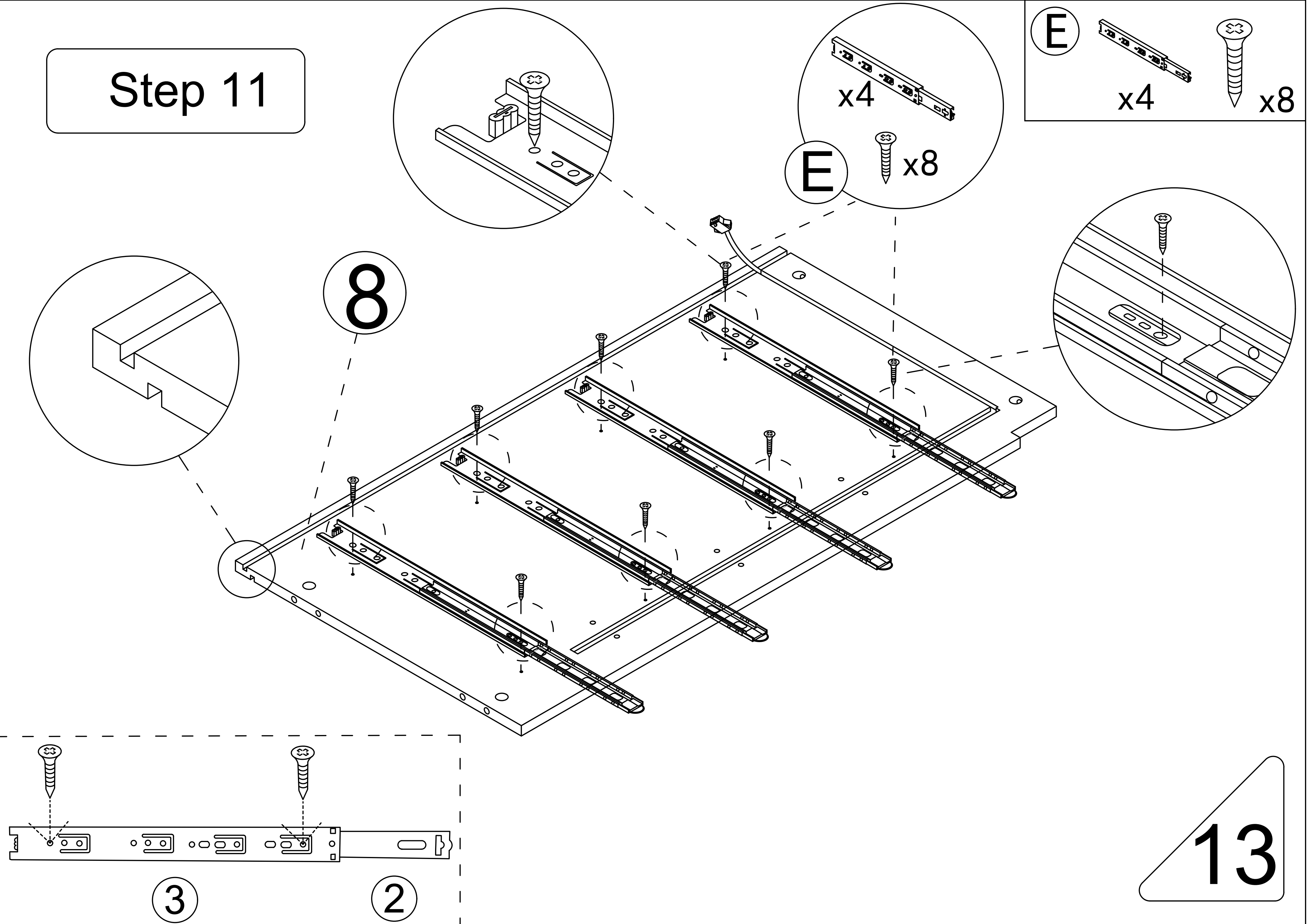


The ones with grooves are at the back

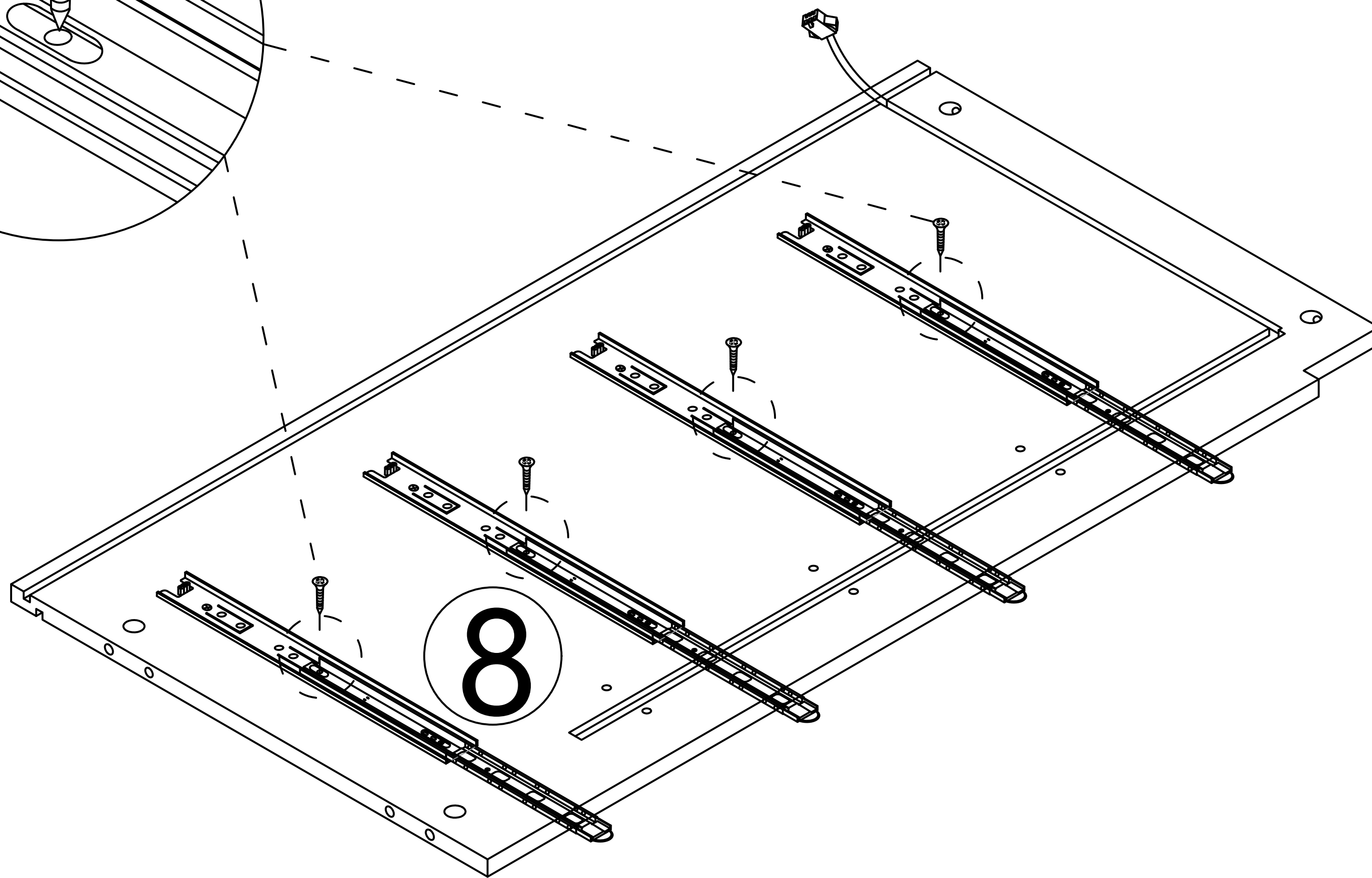
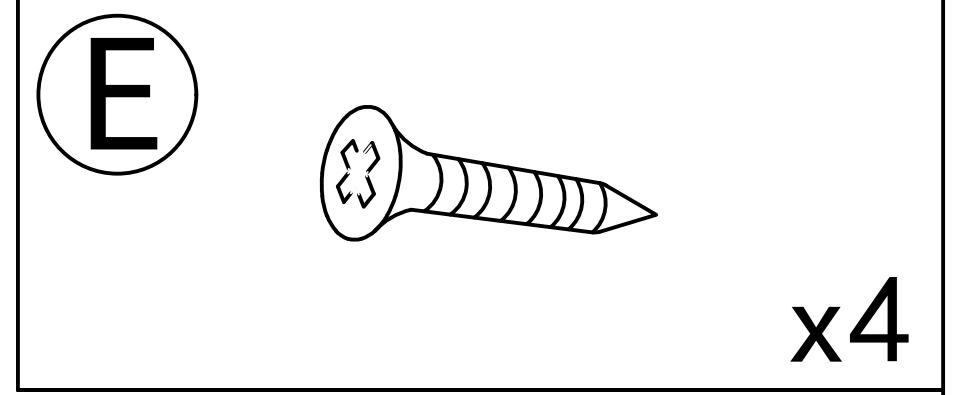
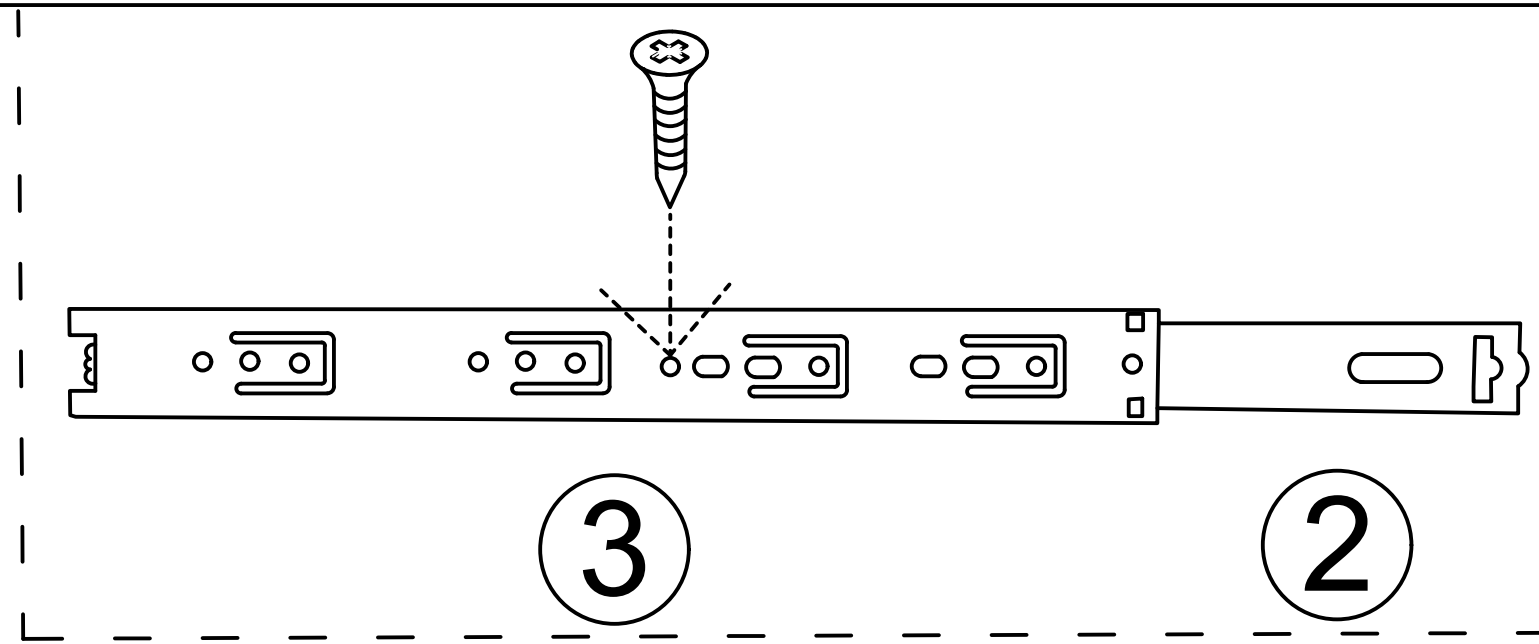
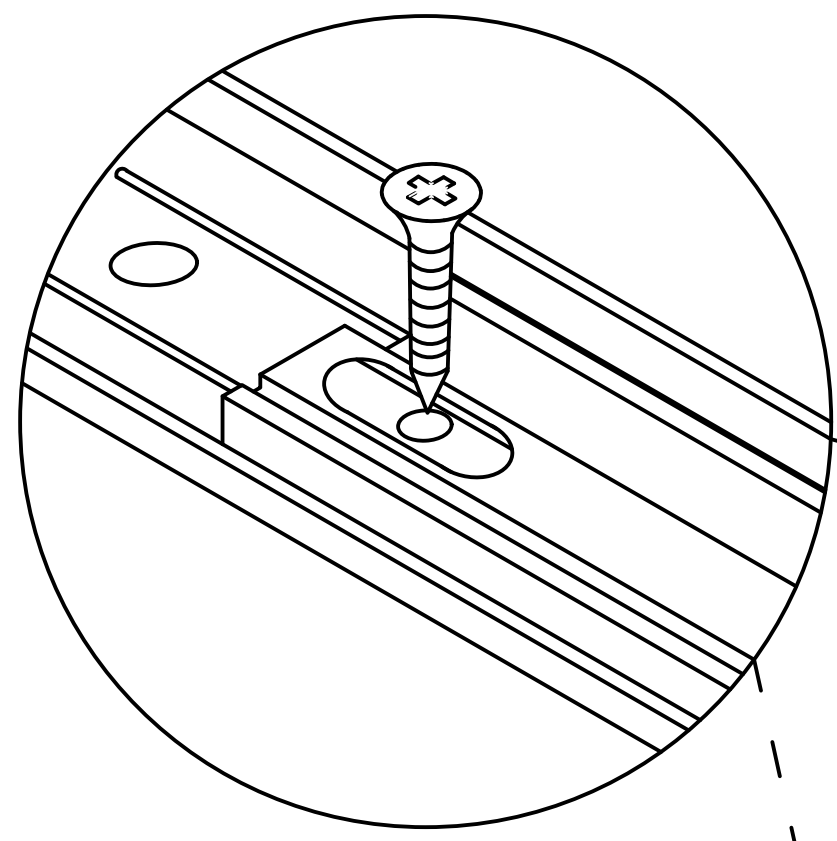
Step 10



Step 11

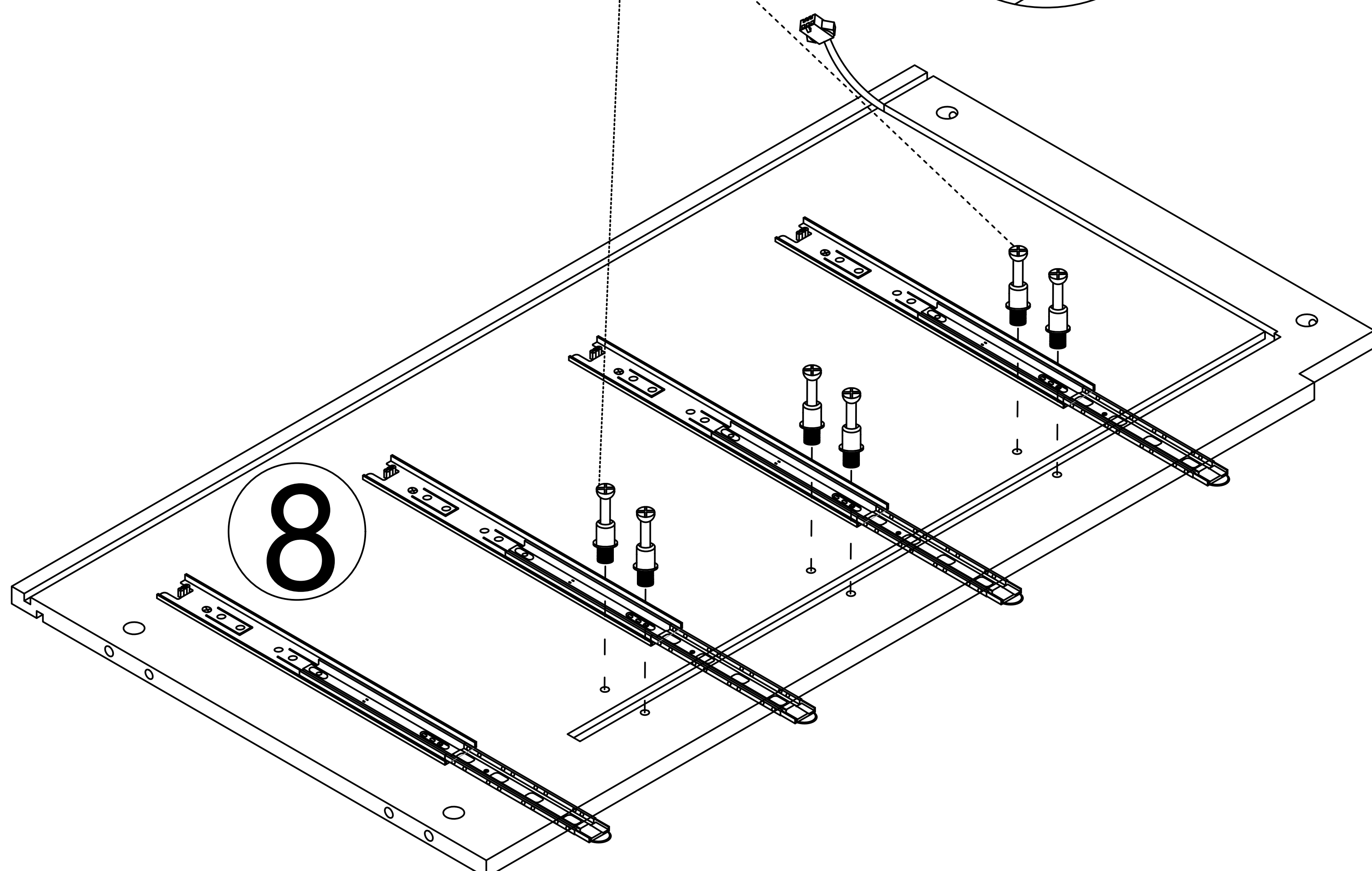
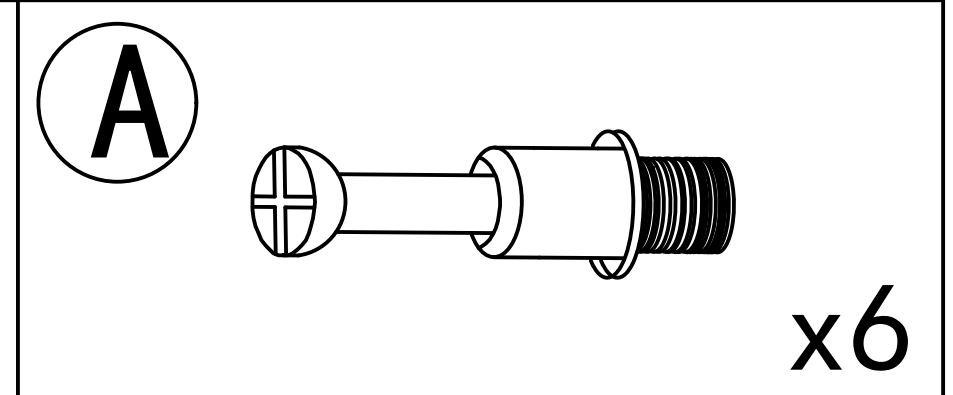
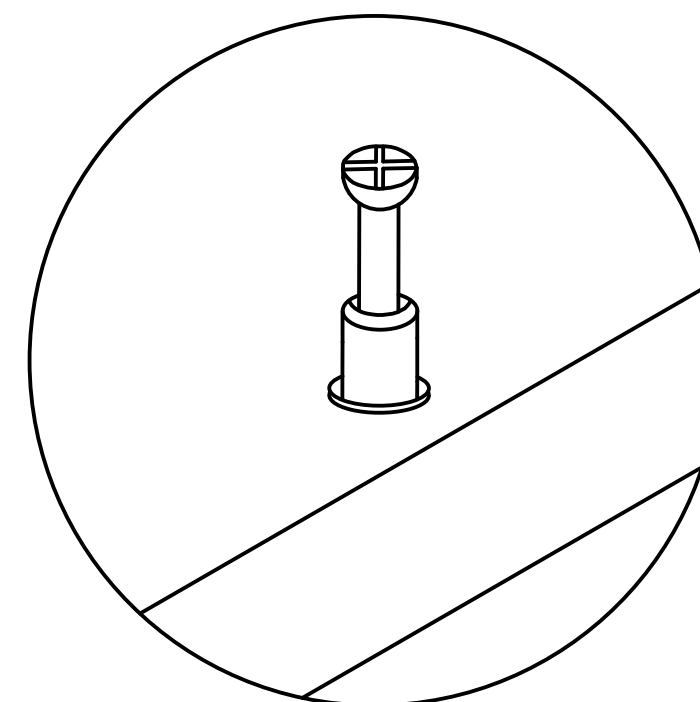
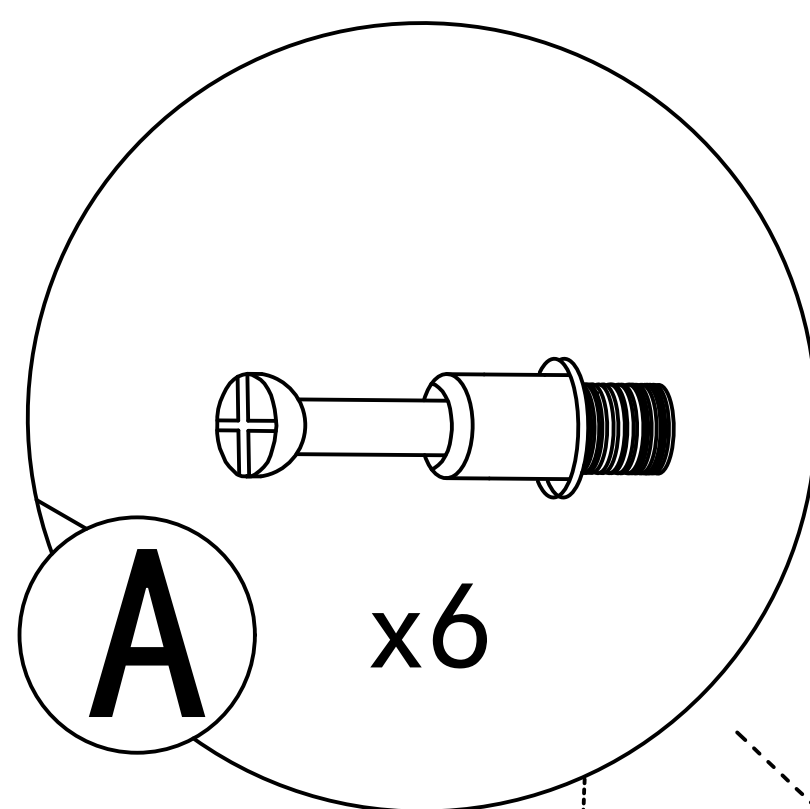


Step 12

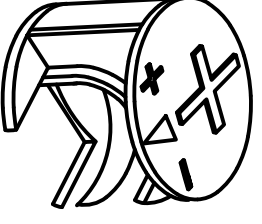


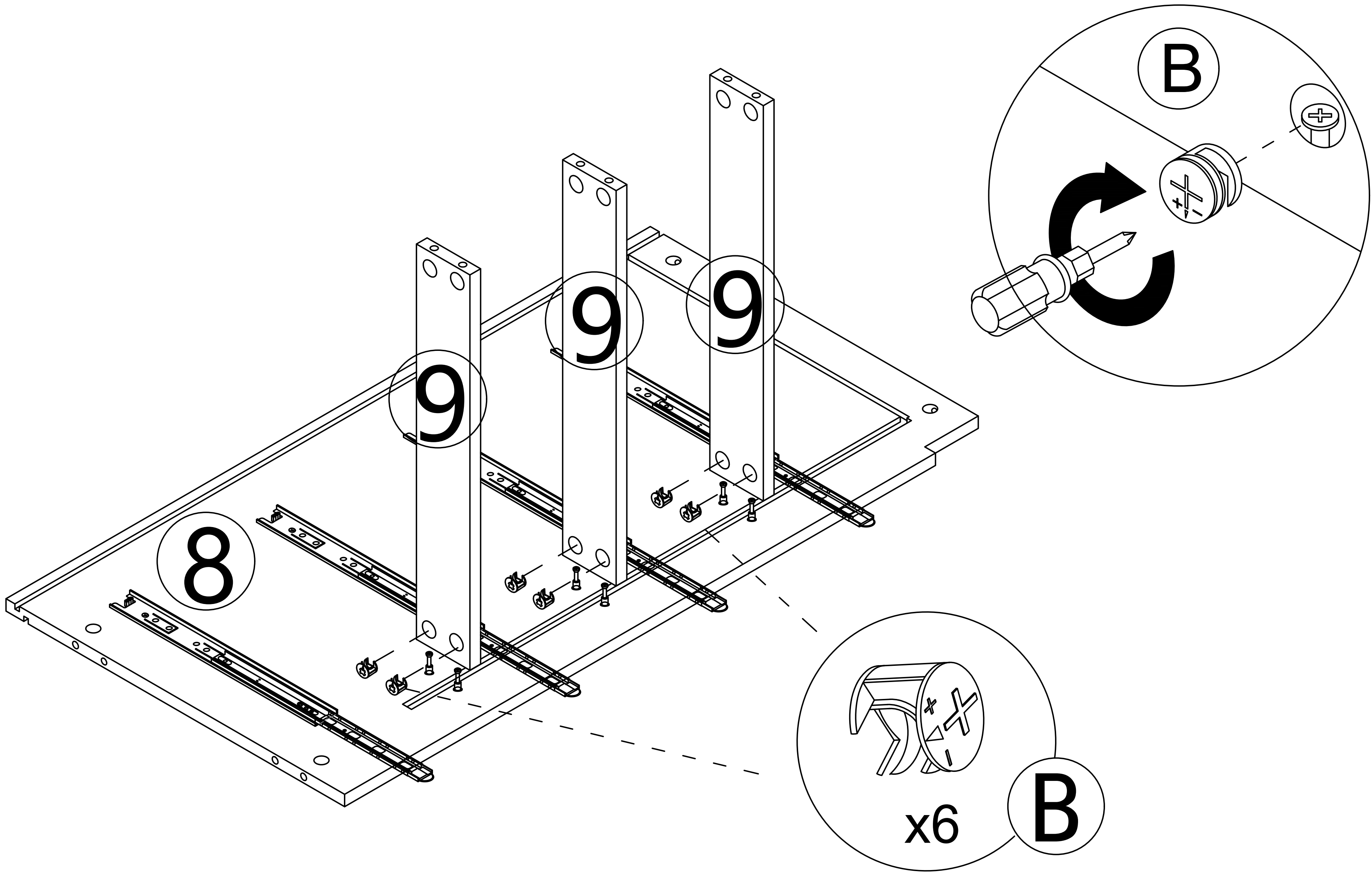
This hole is for strengthening fixed hole customers can choose to install according to their needs.

Step 13

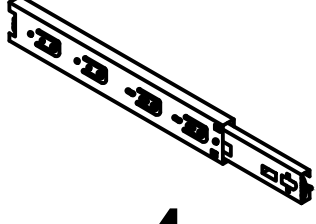
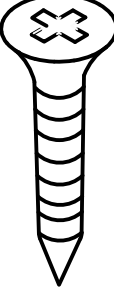


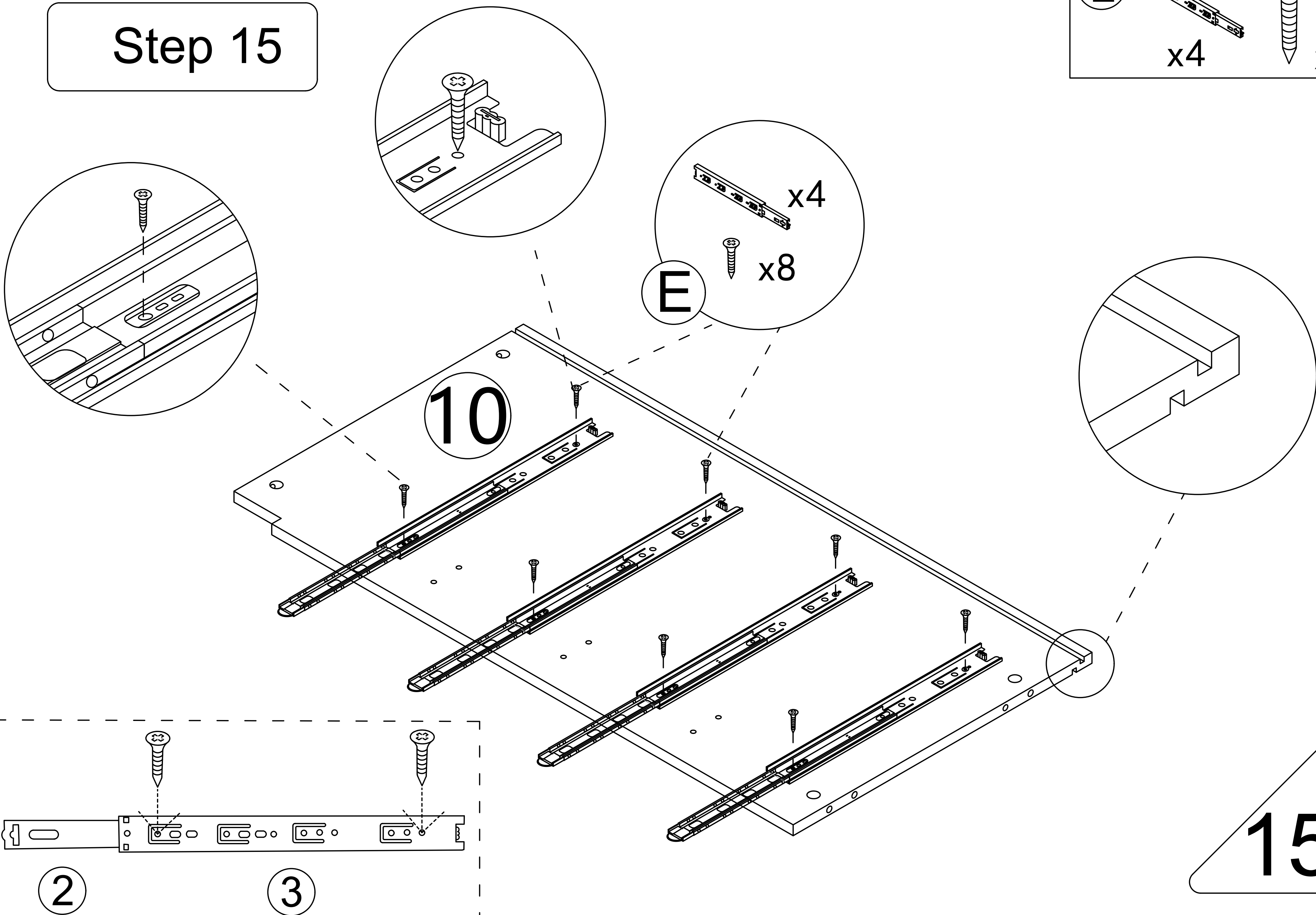
Step 14

B  x6

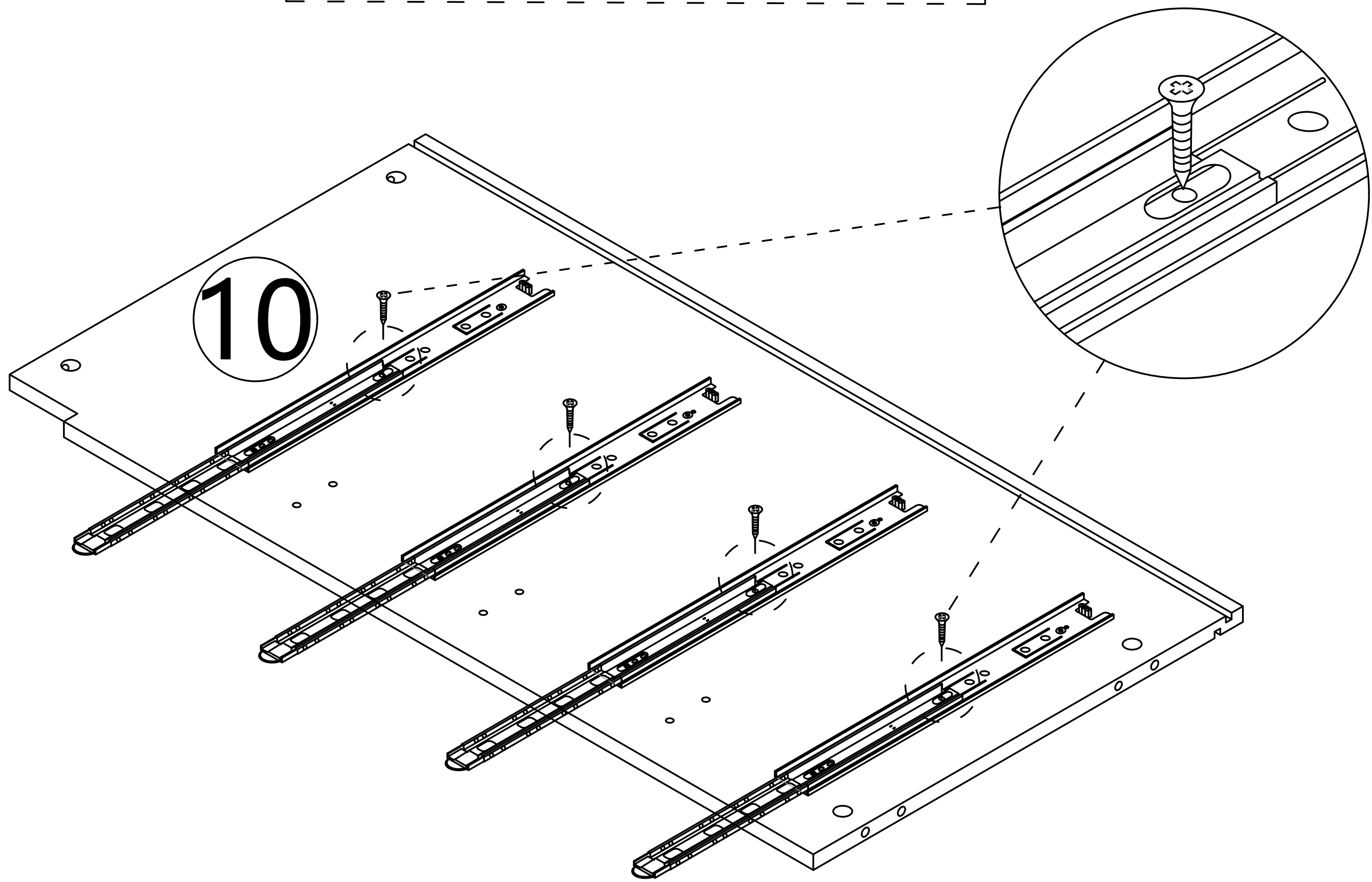
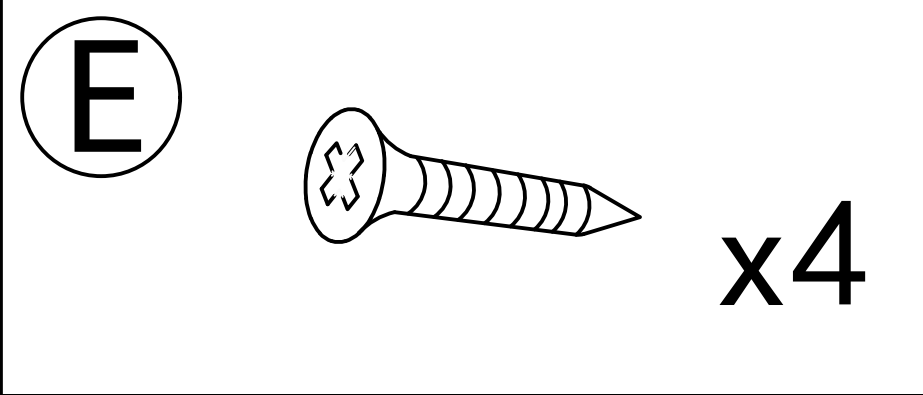
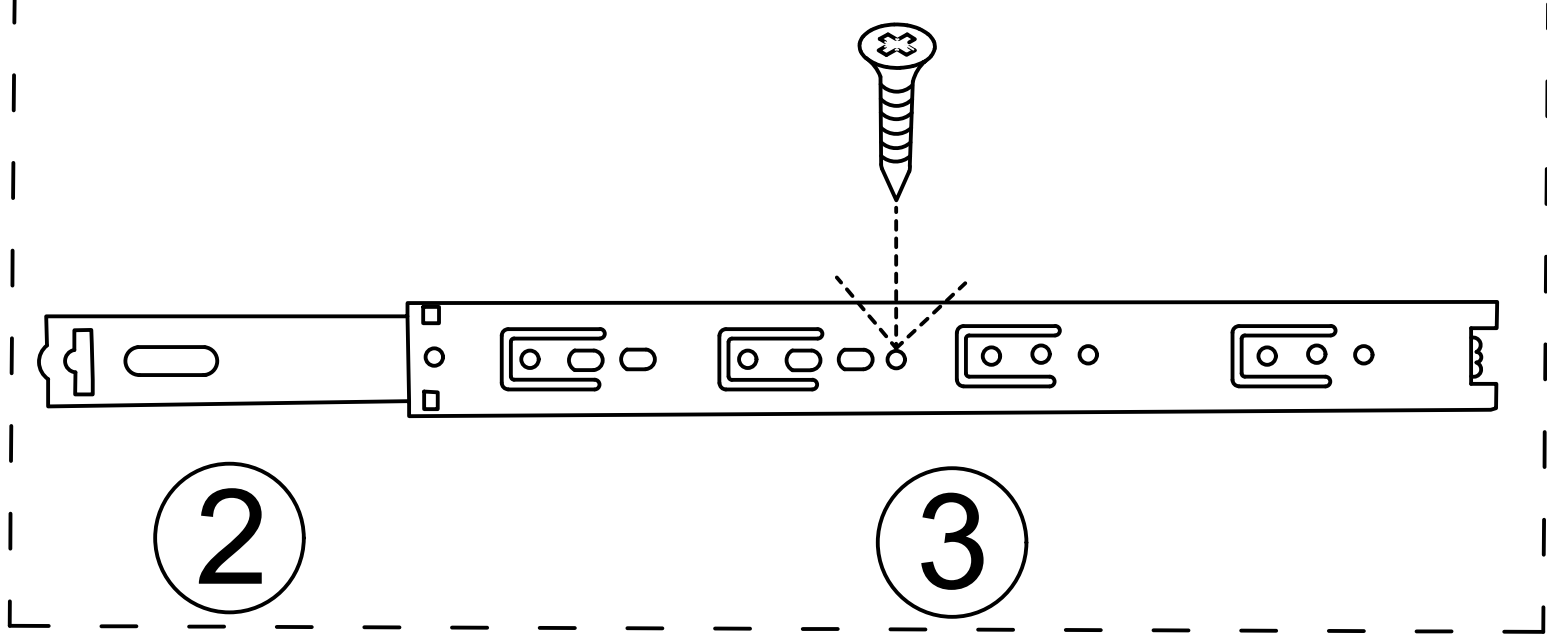


Step 15

E  x4  x8

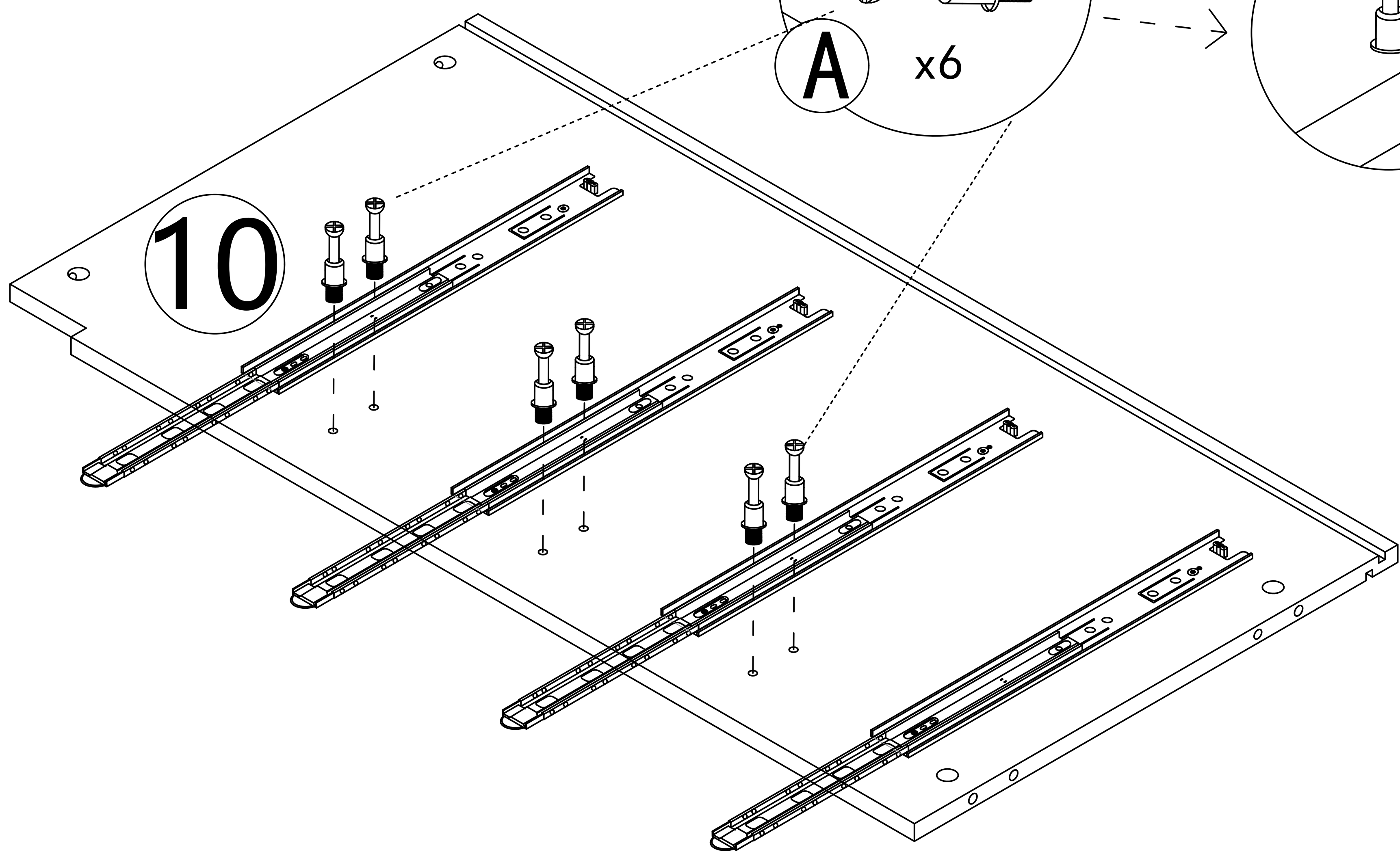
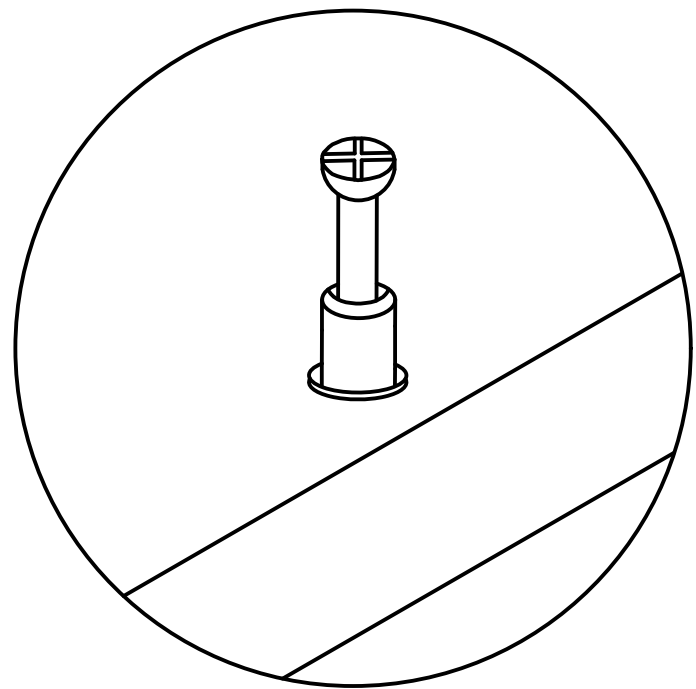
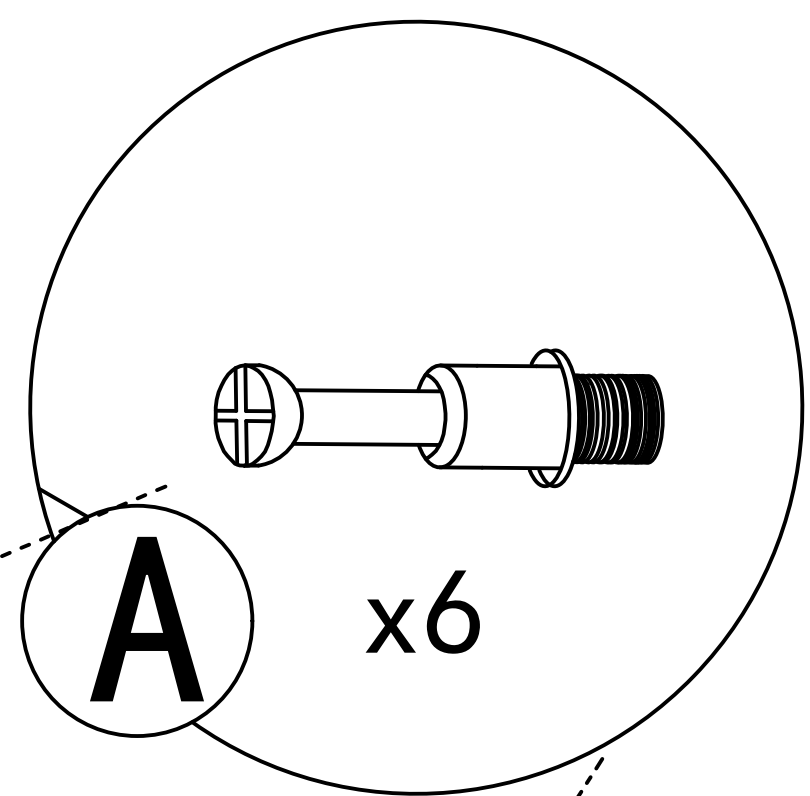
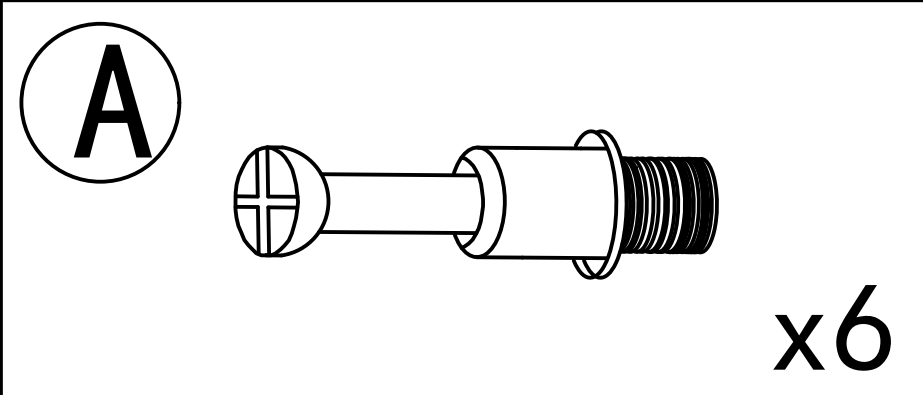


Step 16

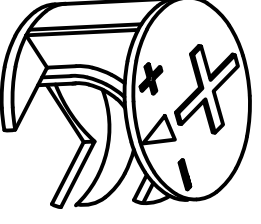


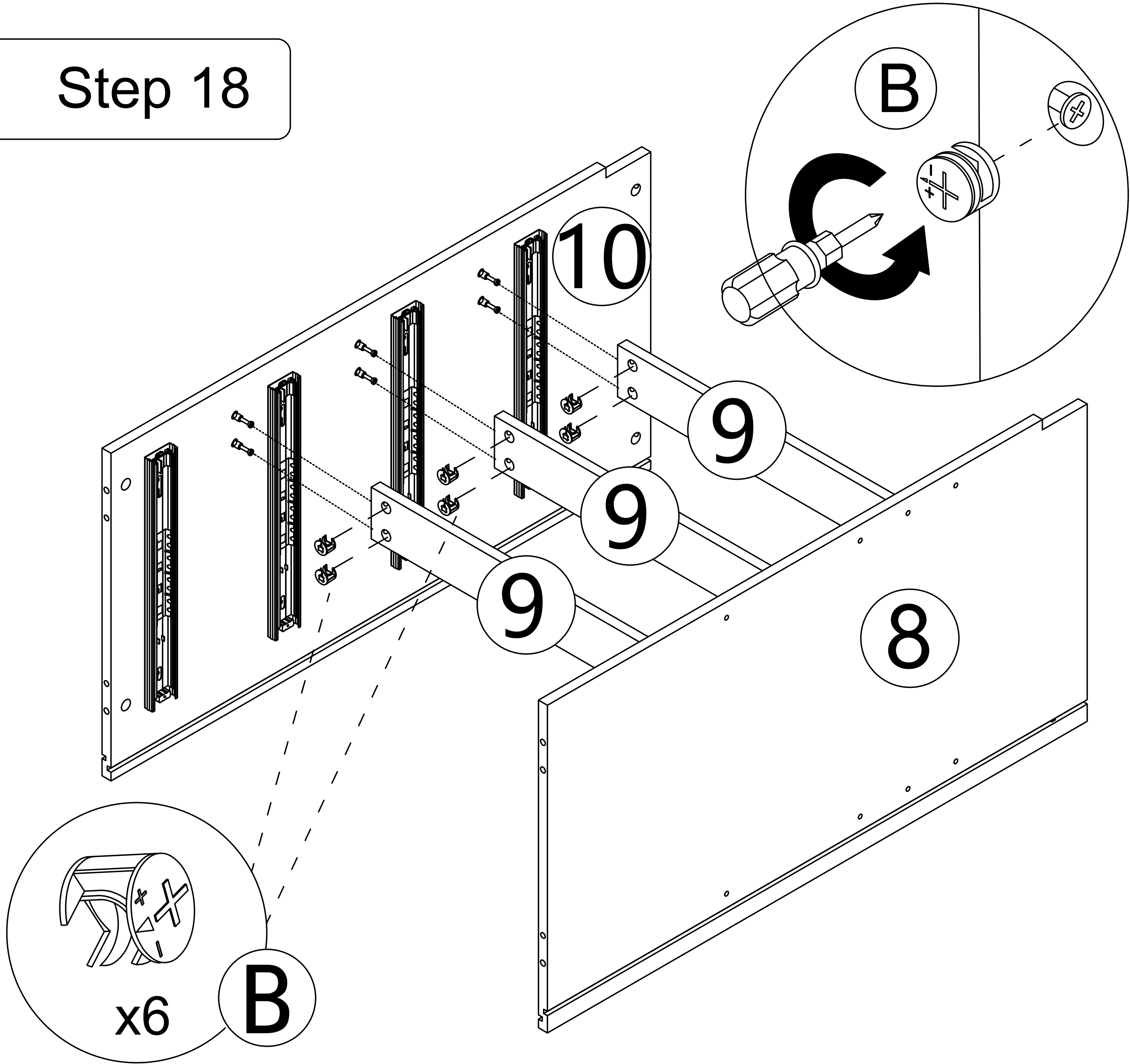
This hole is for strengthening fixed hole customers can choose to install according to their needs.

Step 17

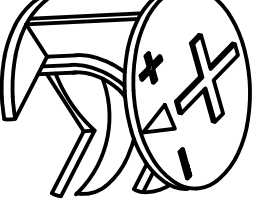


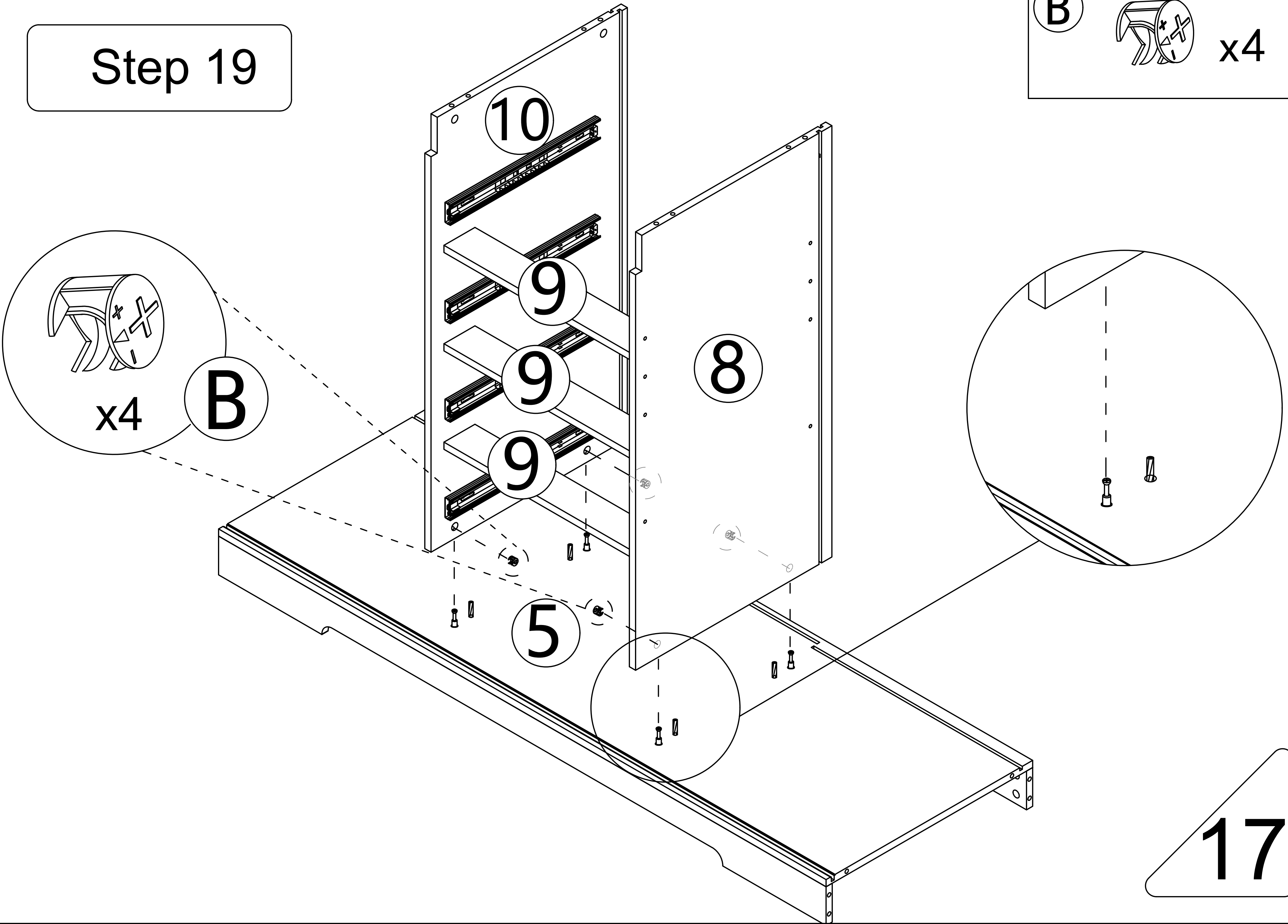
Step 18

B  x6

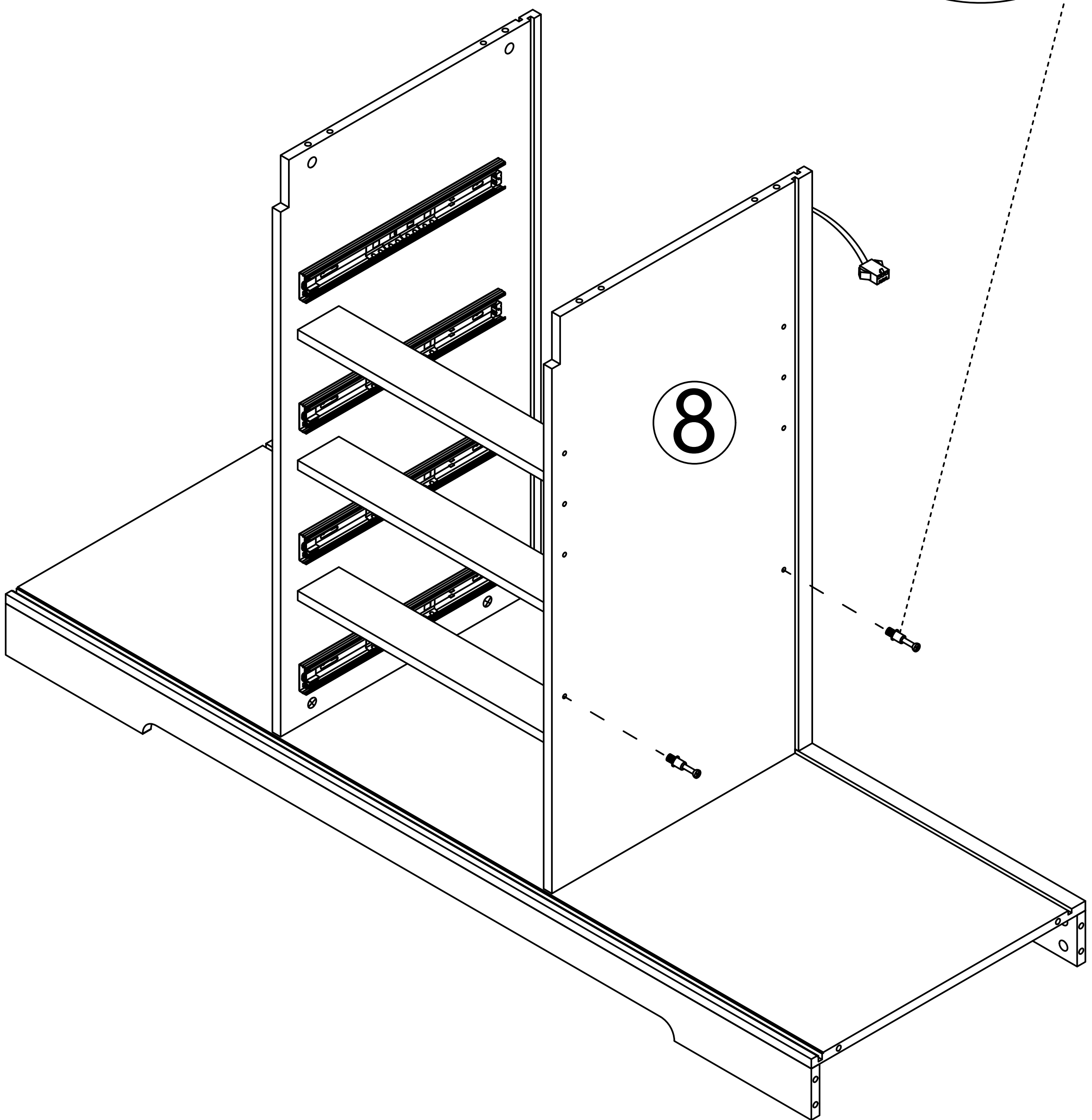
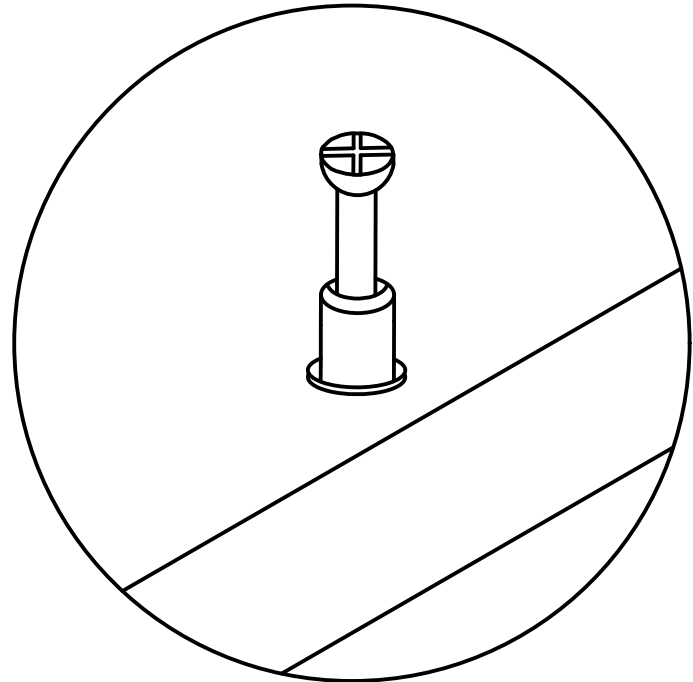
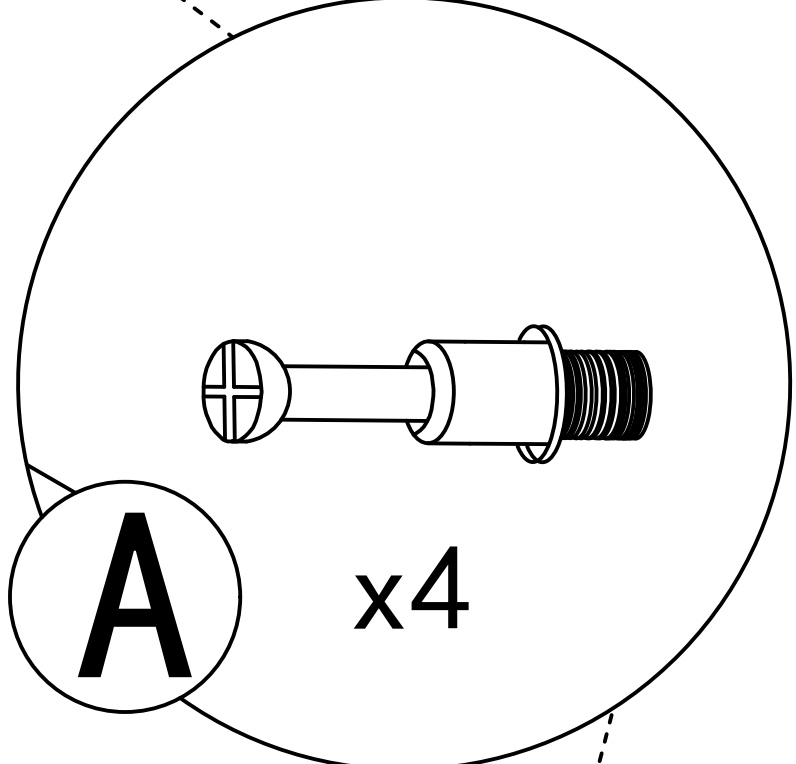
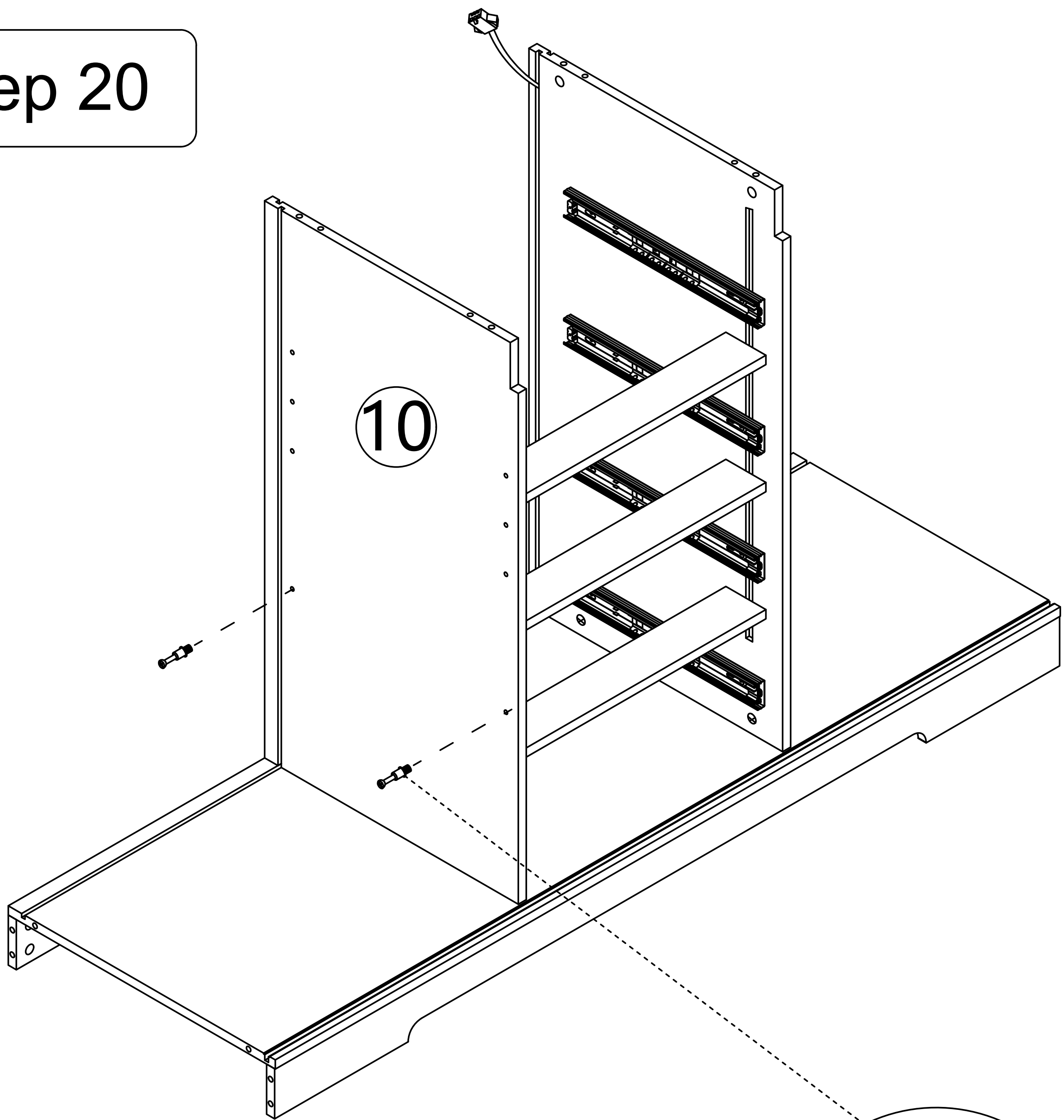
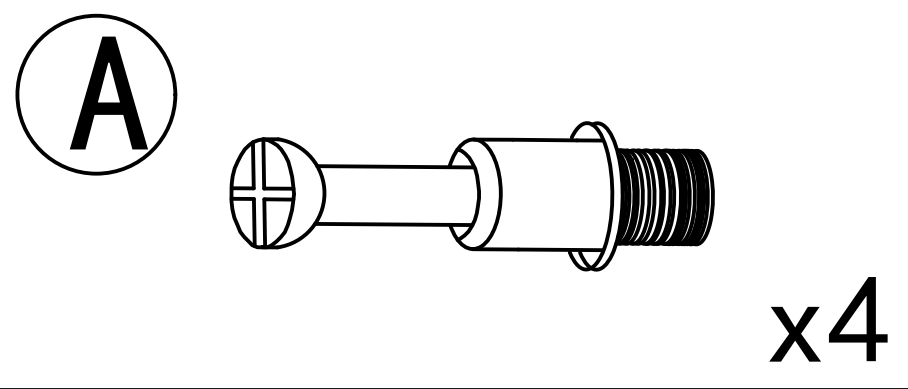


Step 19

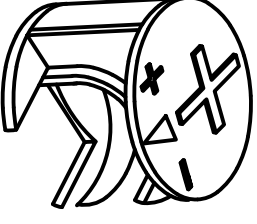
B  x4

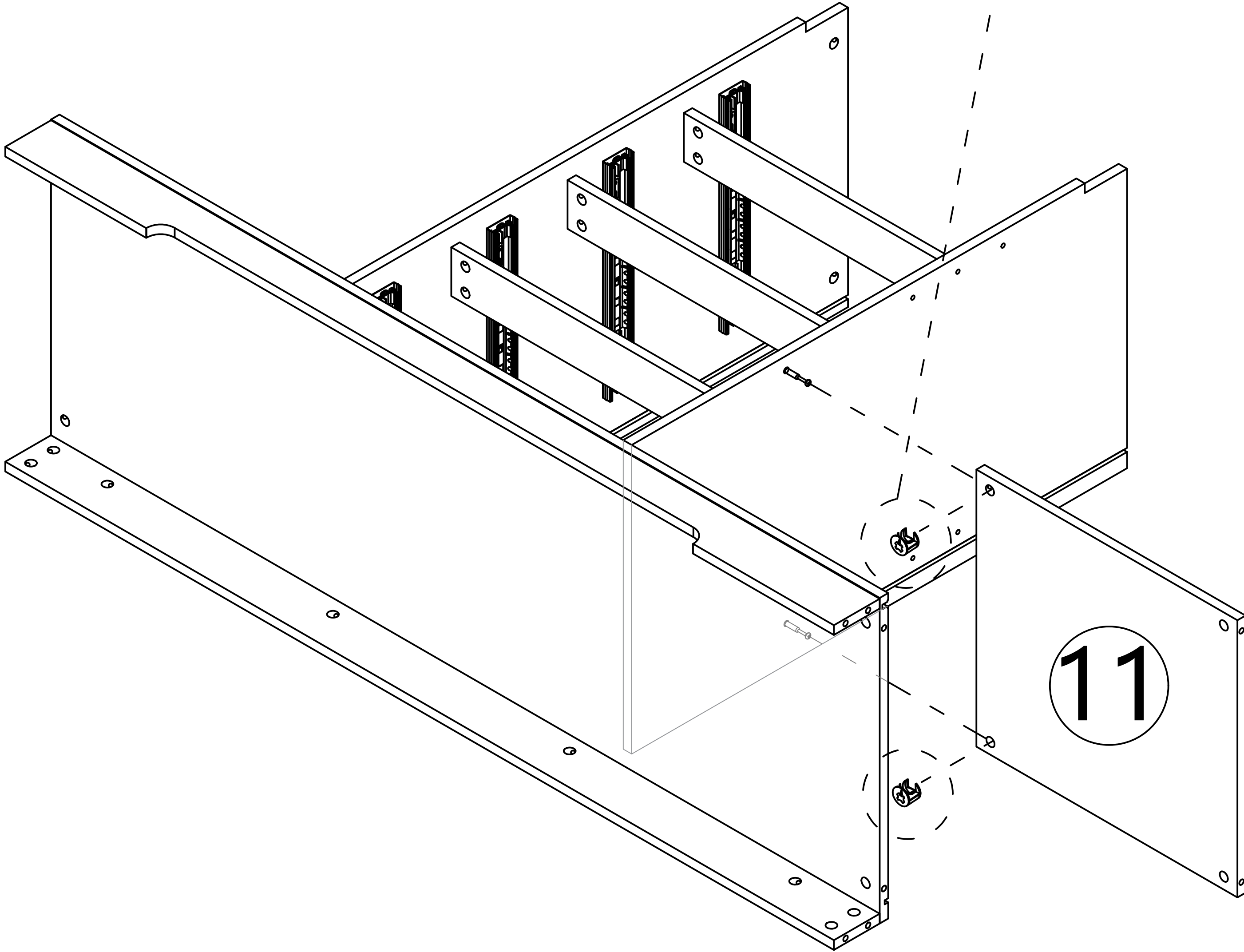
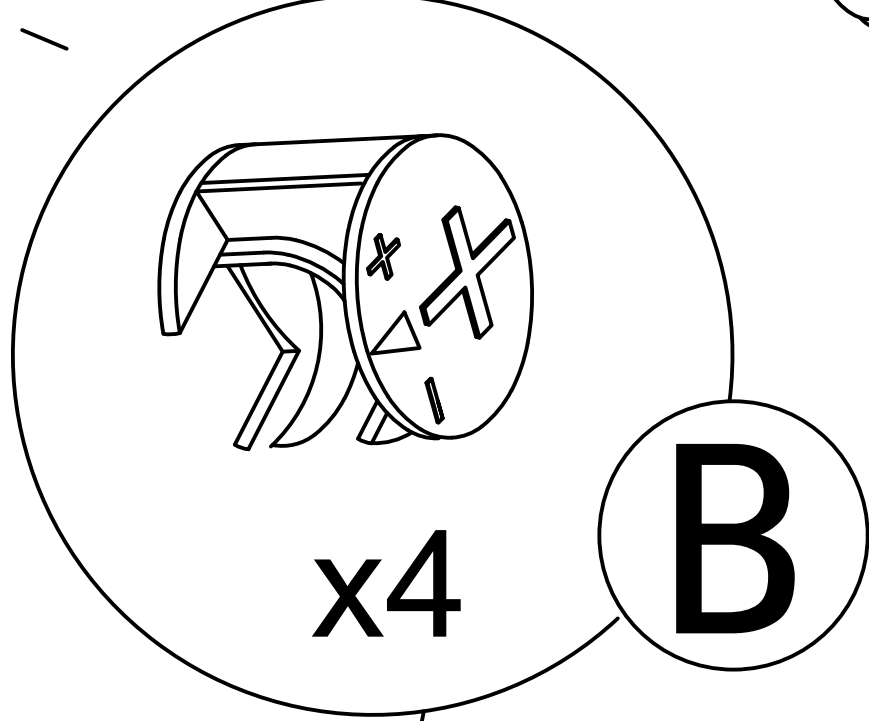
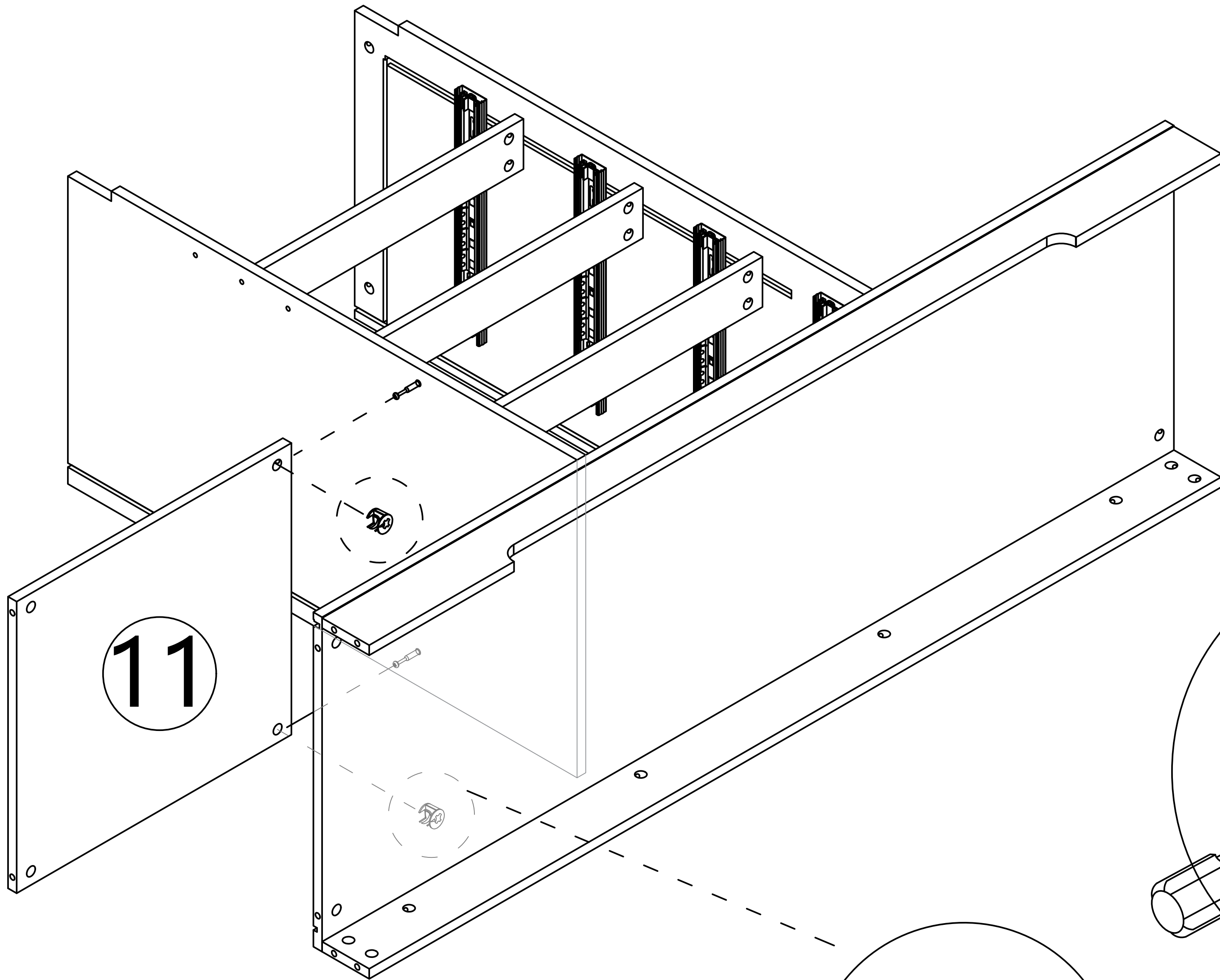


Step 20

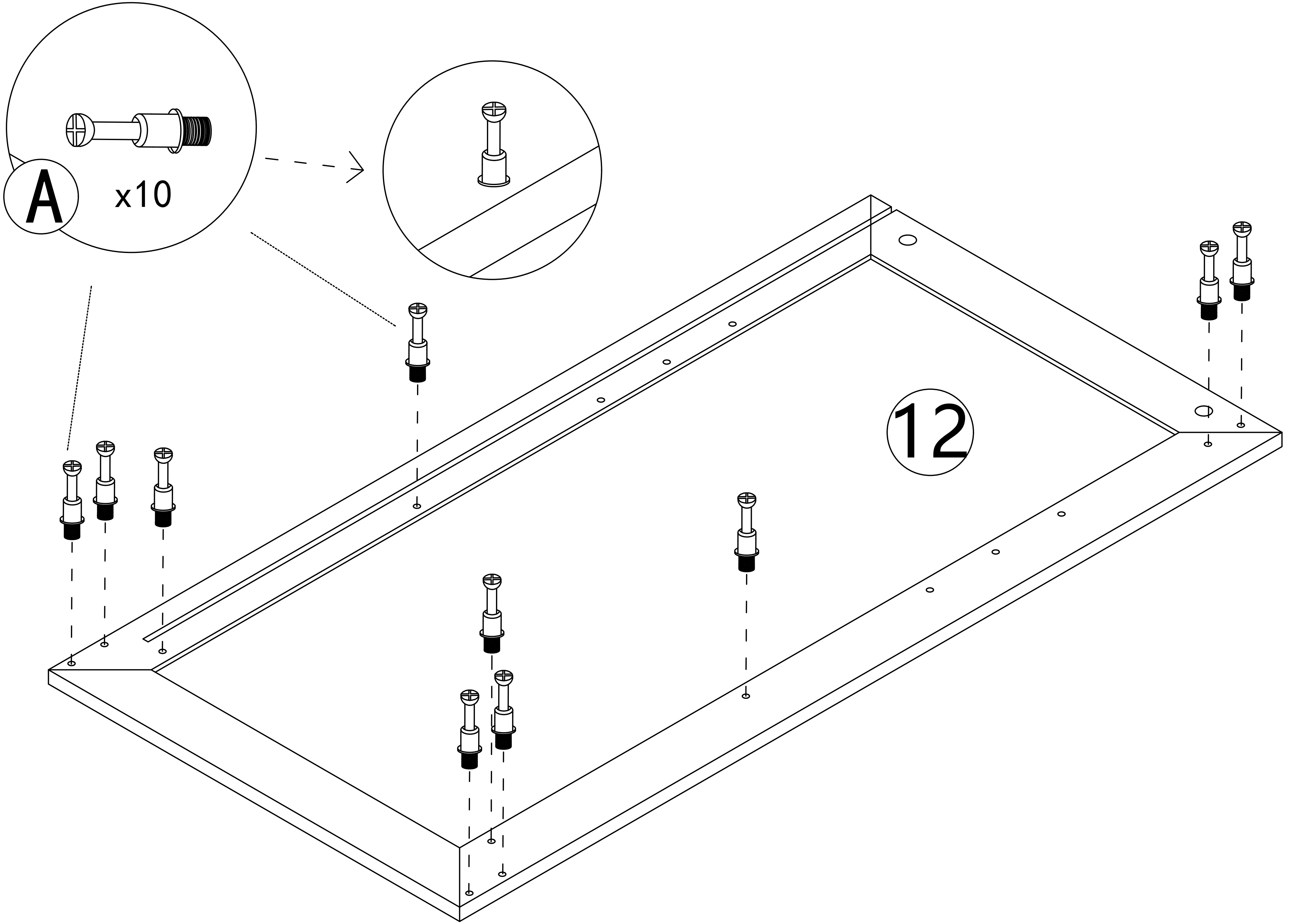
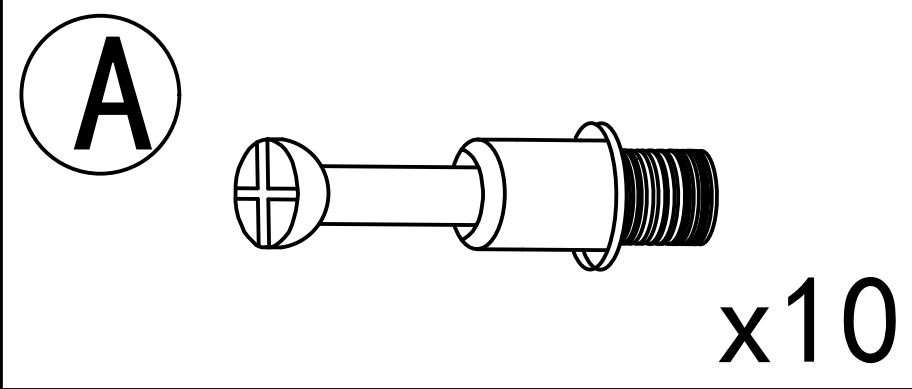


Step 21

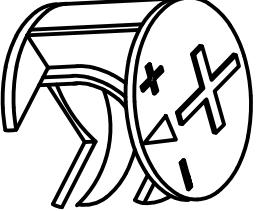
B  x4

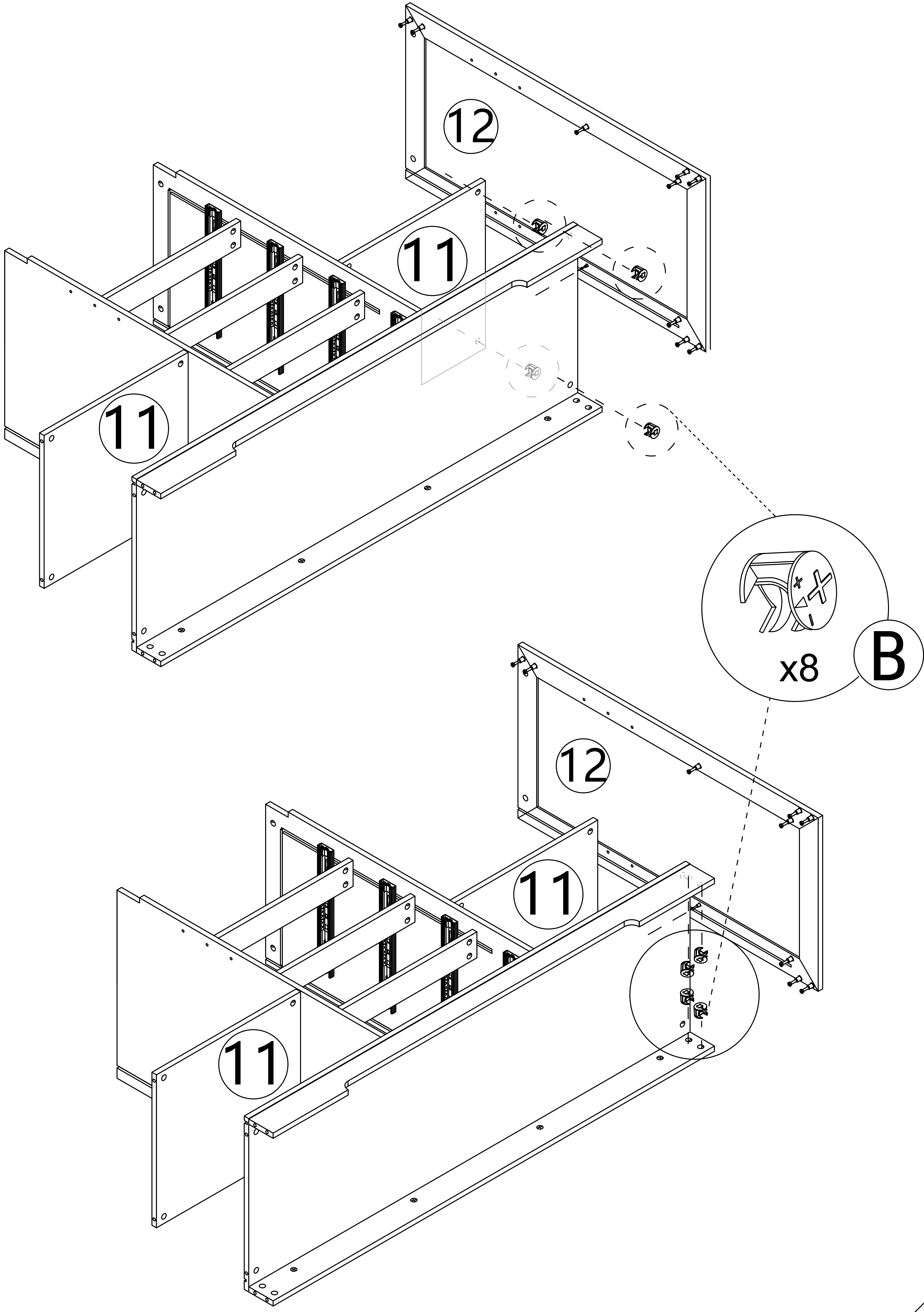


Step 22

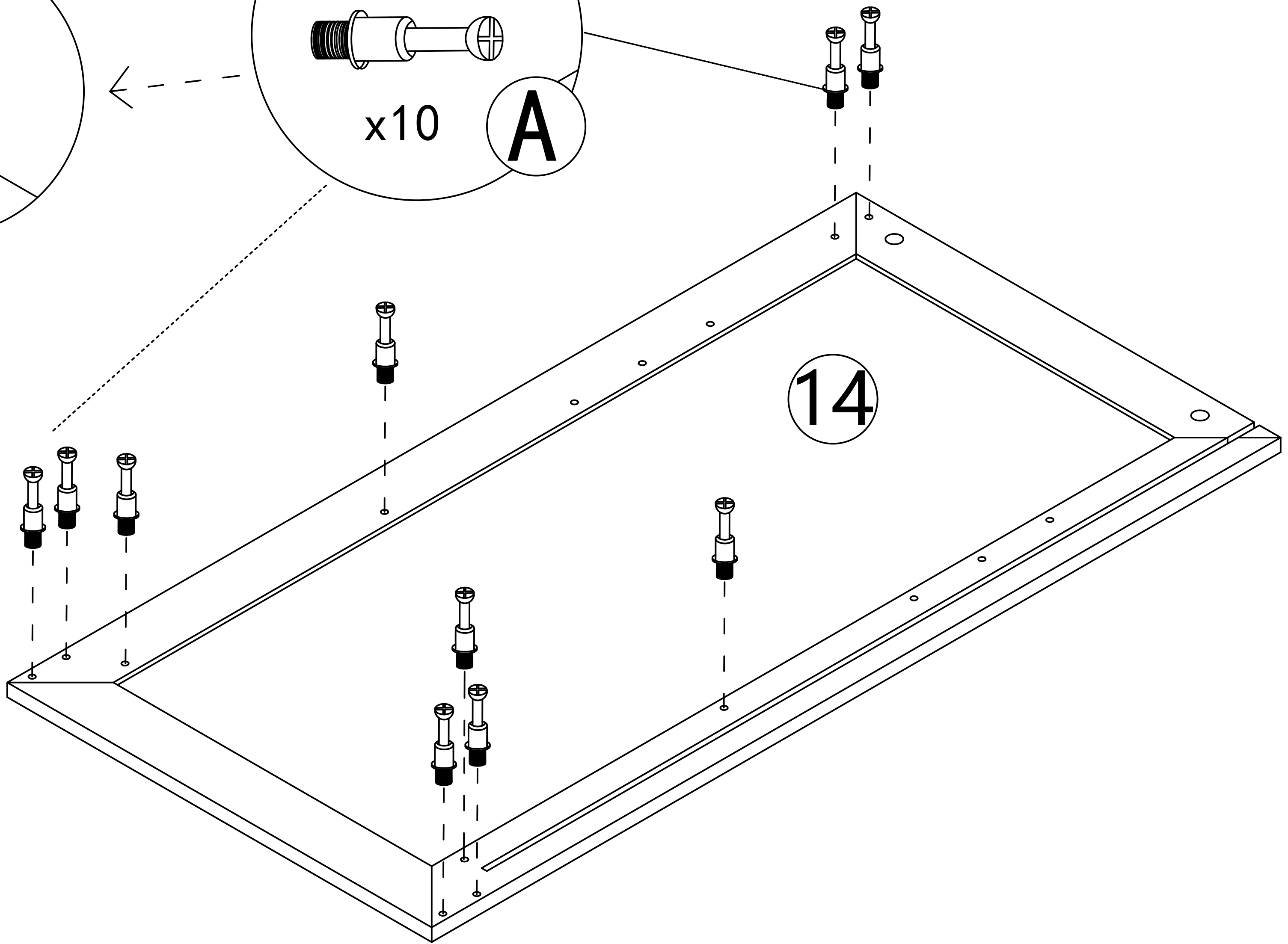
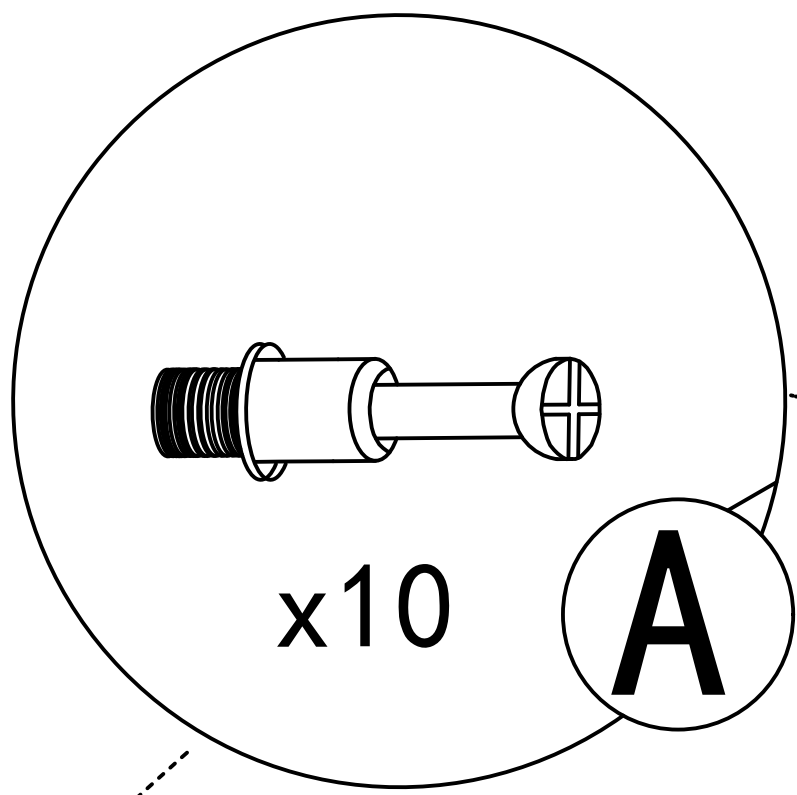
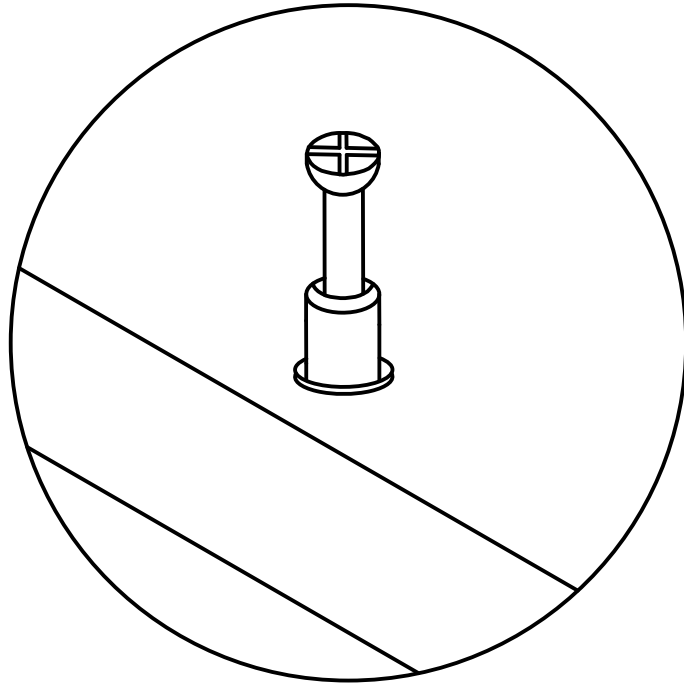
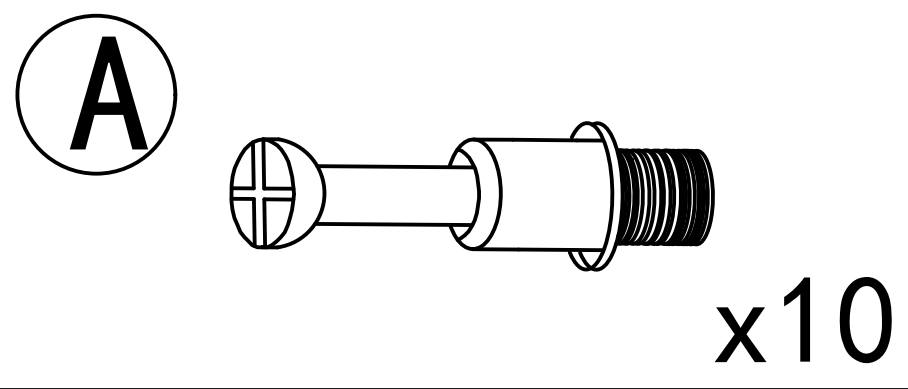


Step 23

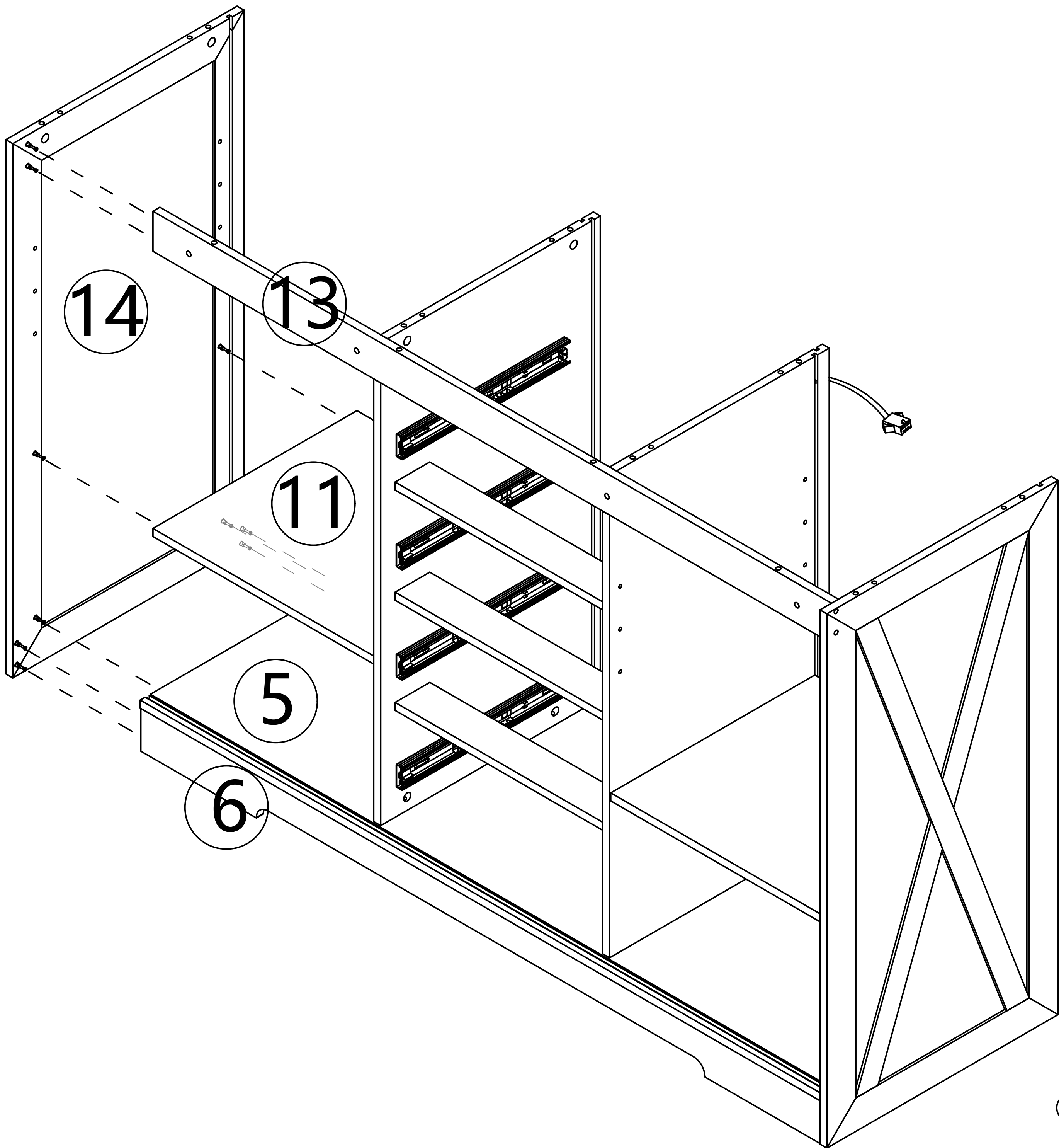
B  x8



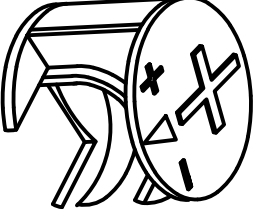
Step 24

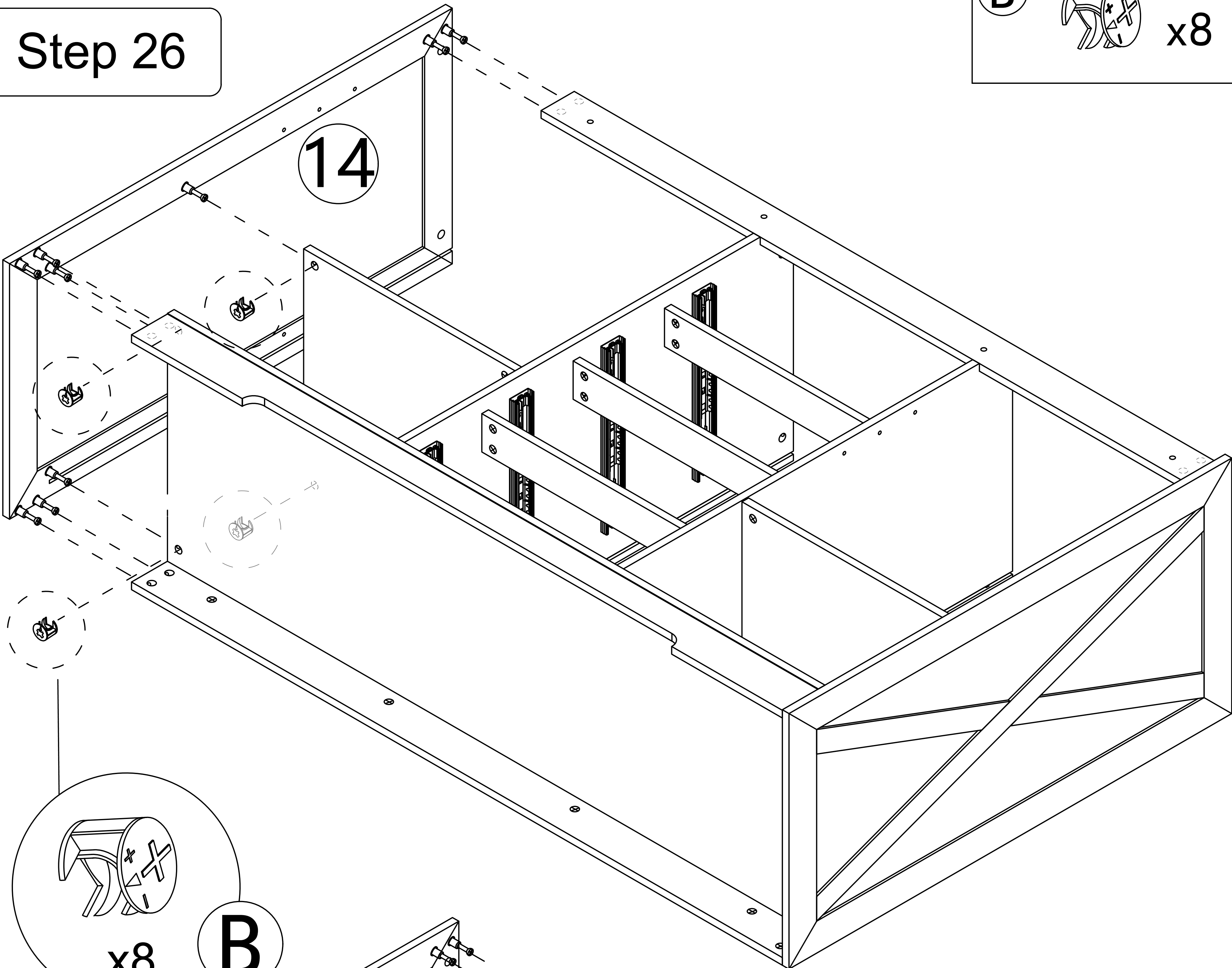


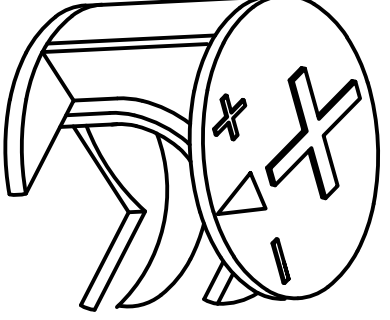
Step 25

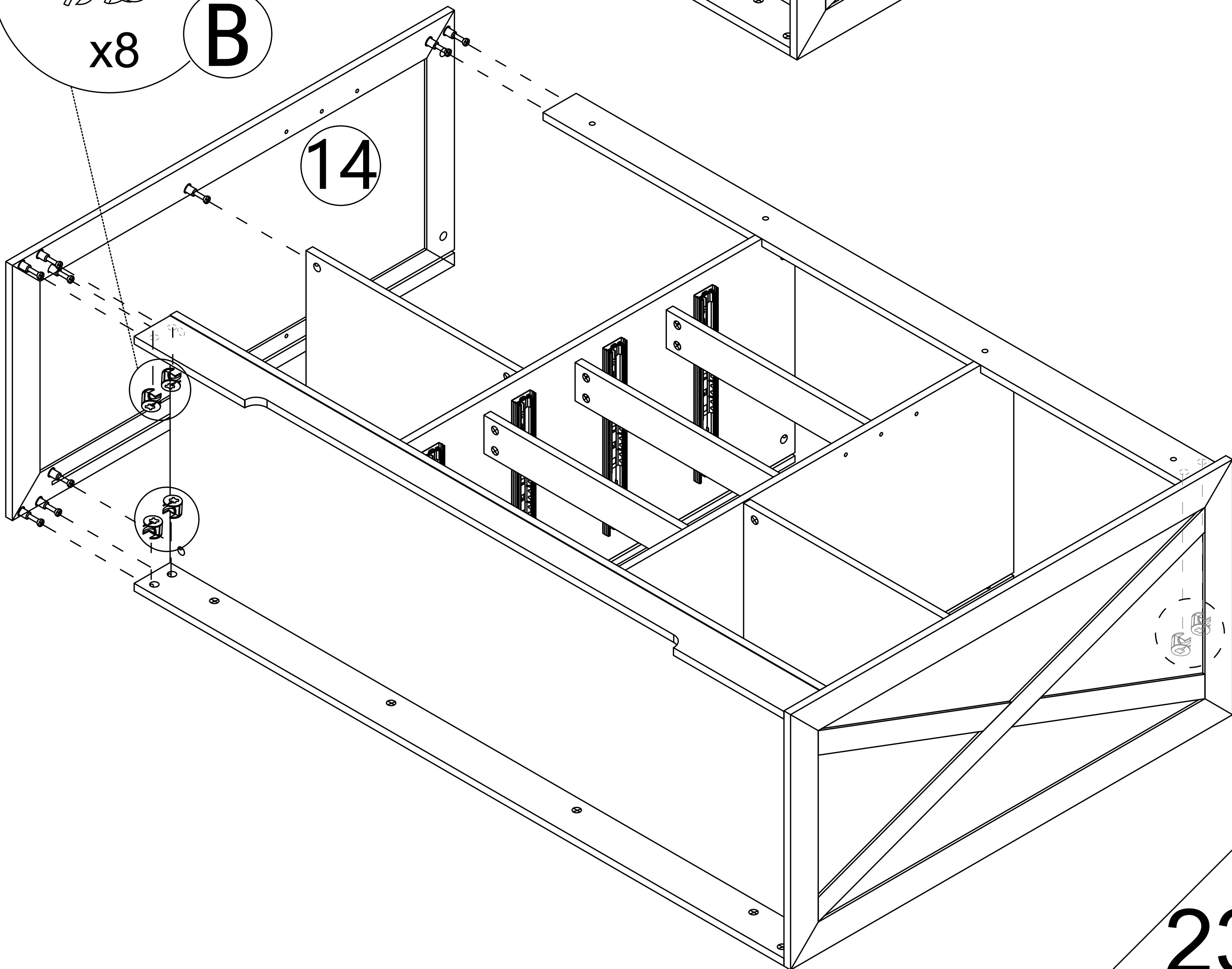


Step 26

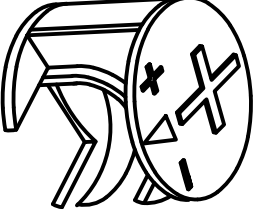
B  x8

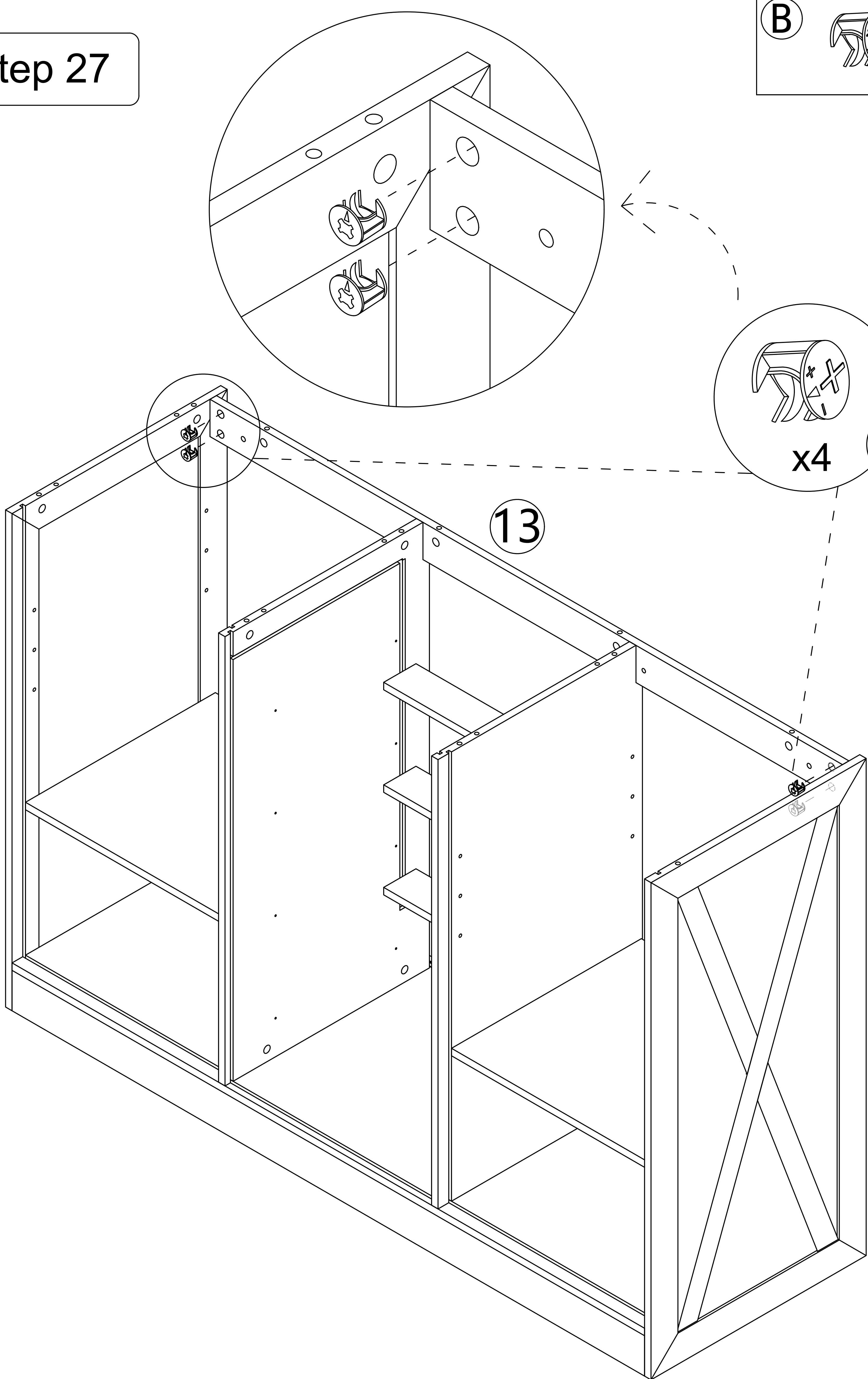


 x8 **B**

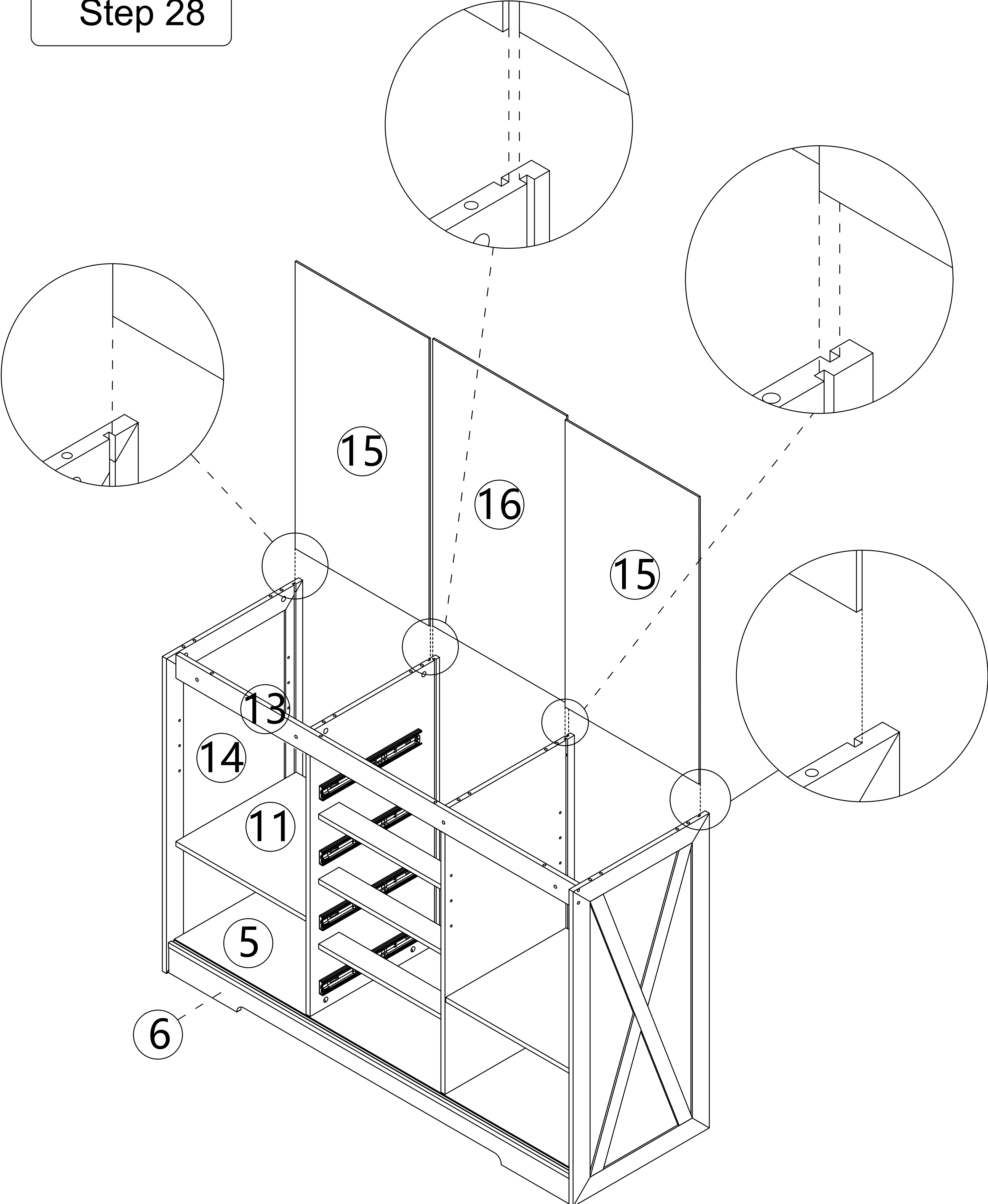


Step 27

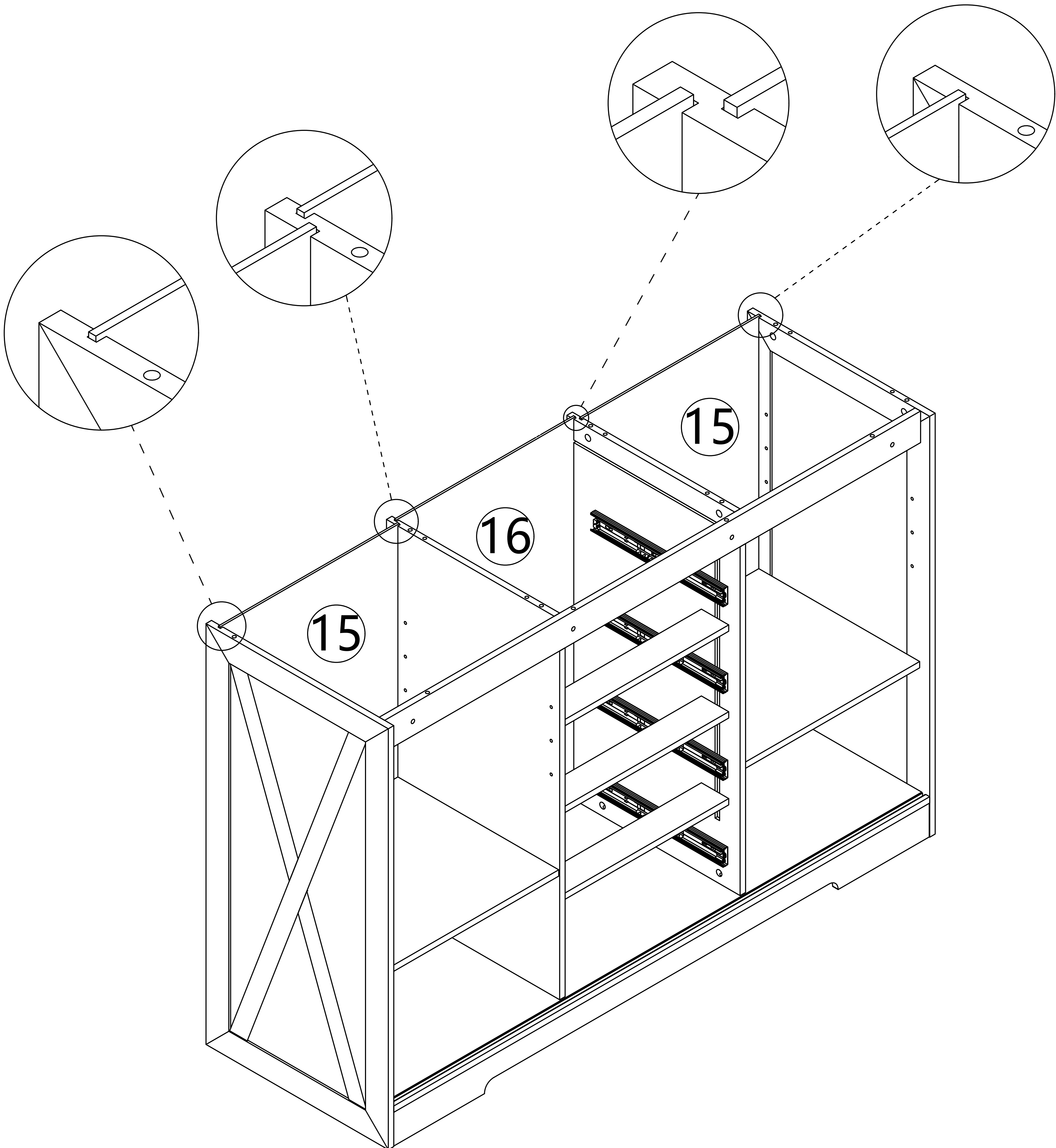
B  x4



Step 28

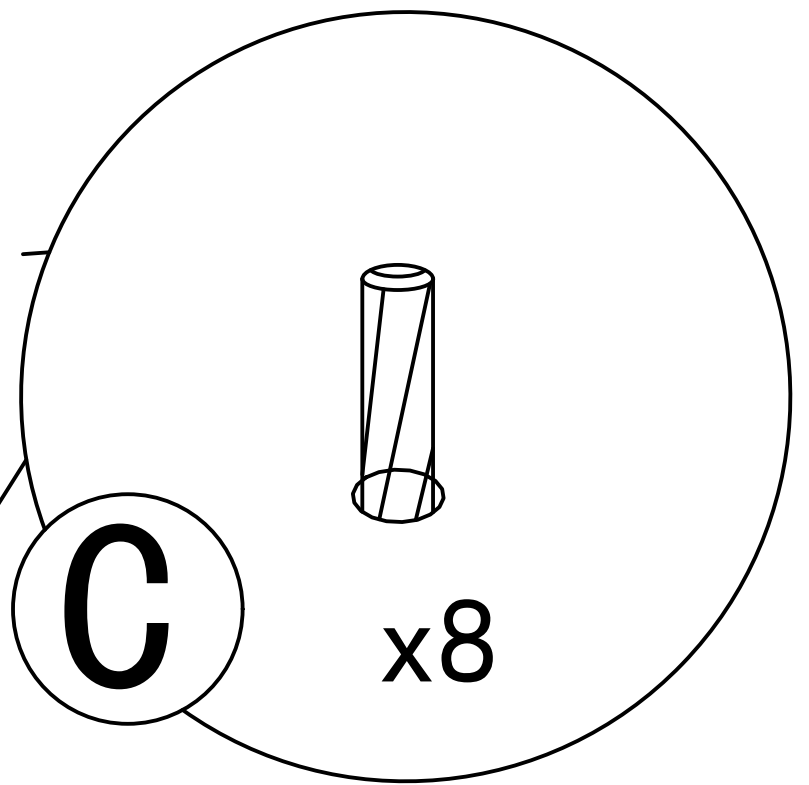
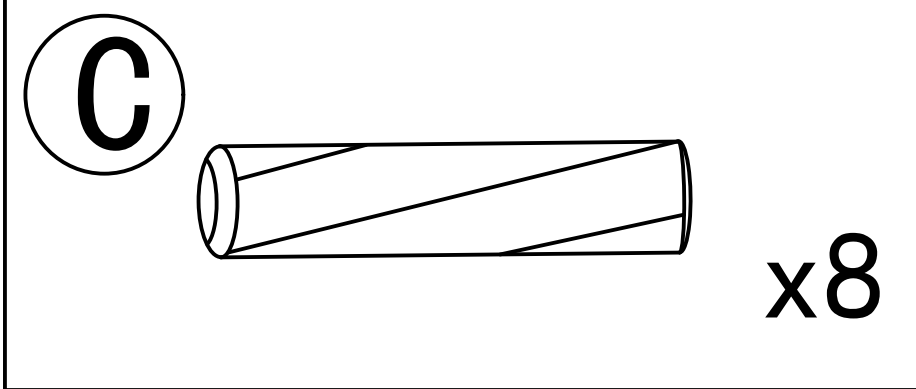
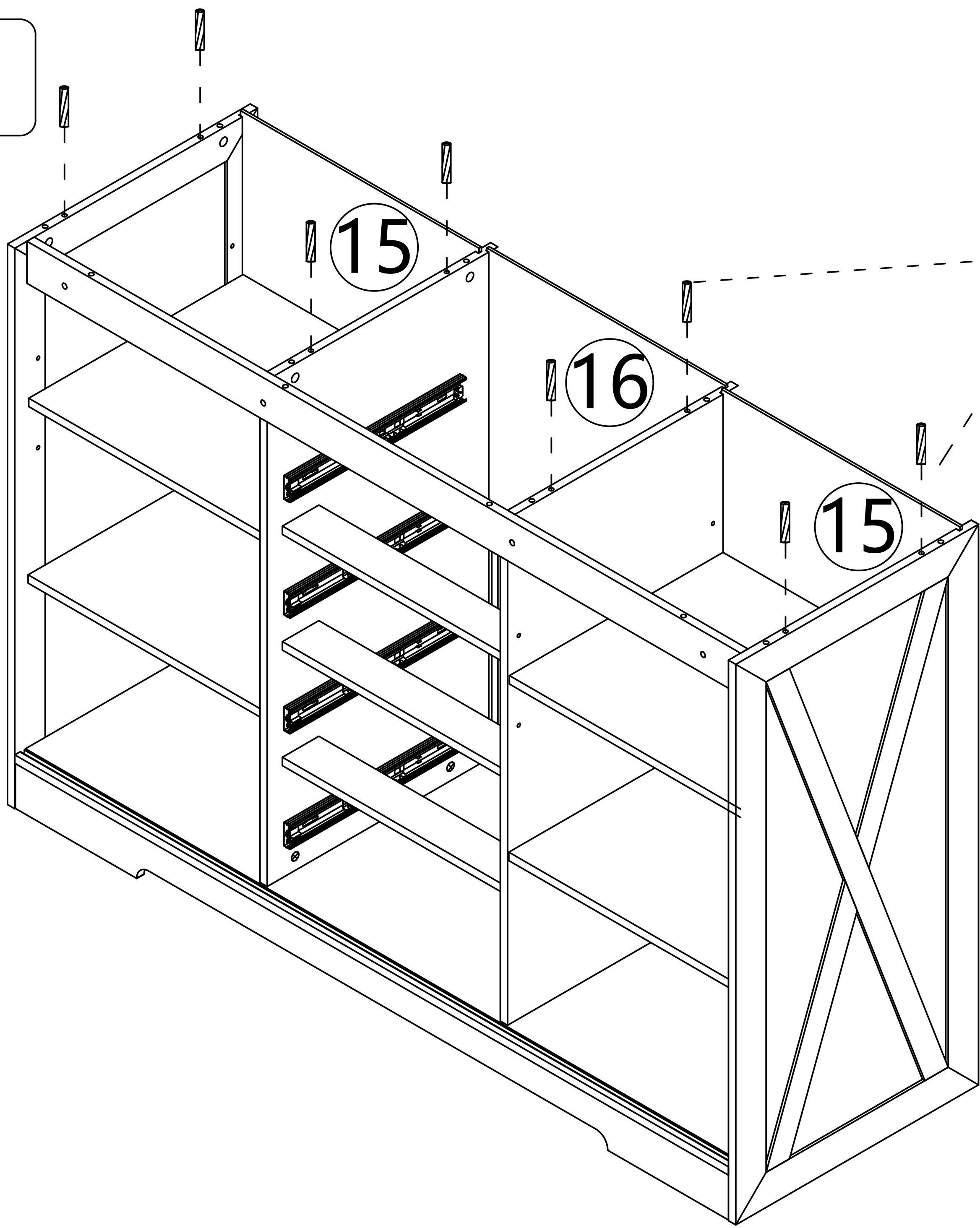


Step 29

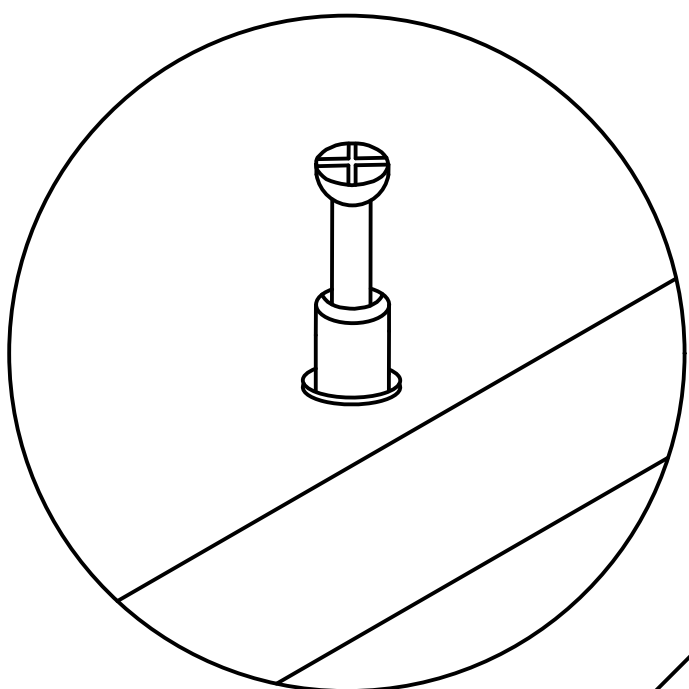
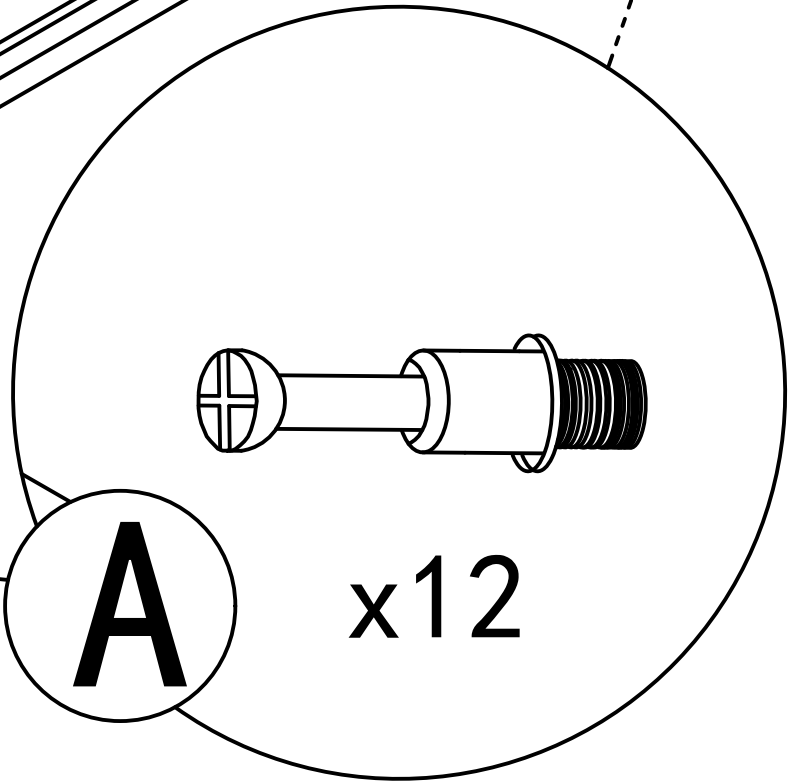
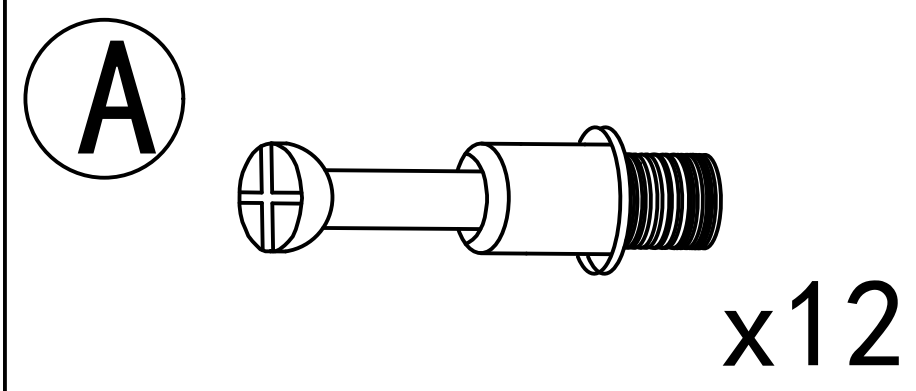
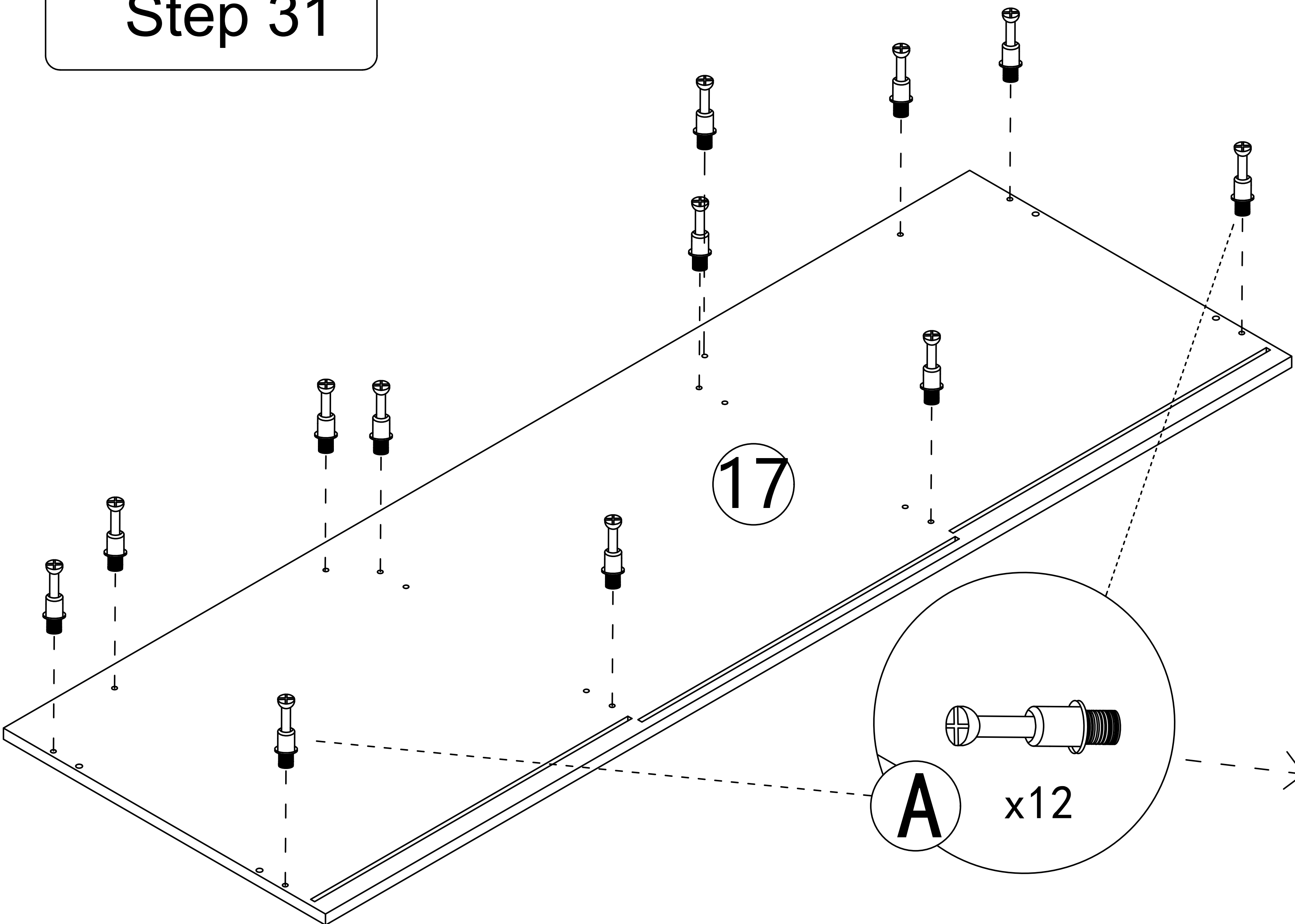


The light line passes through the circular hole on No.16 board

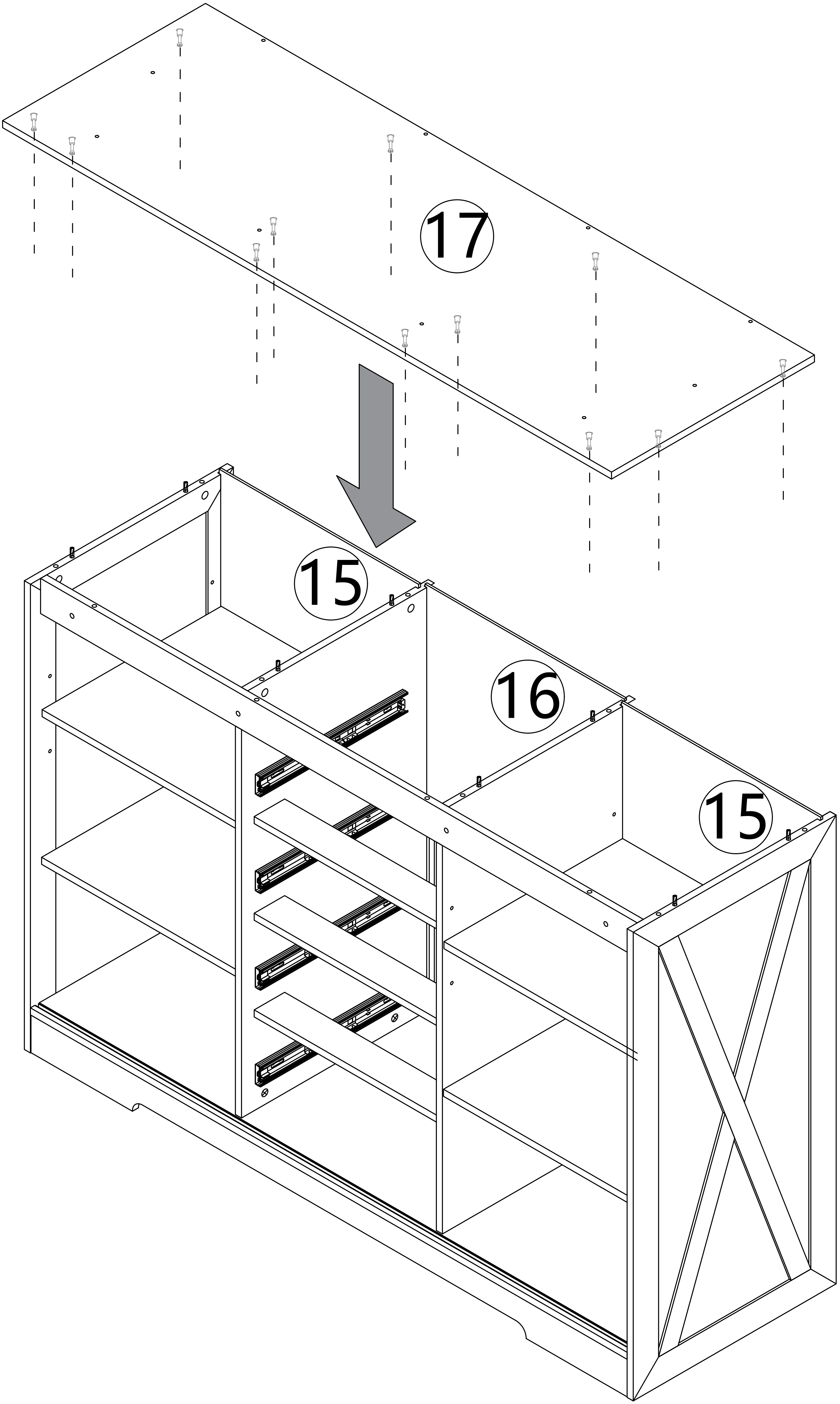
Step 30



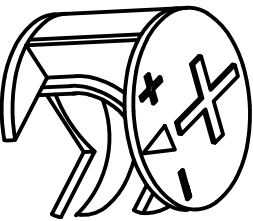
Step 31



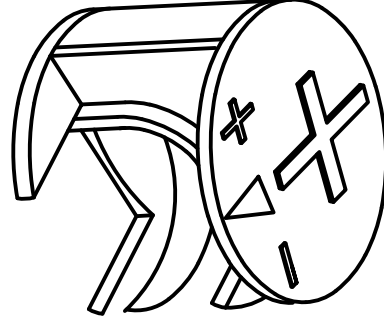
Step 32

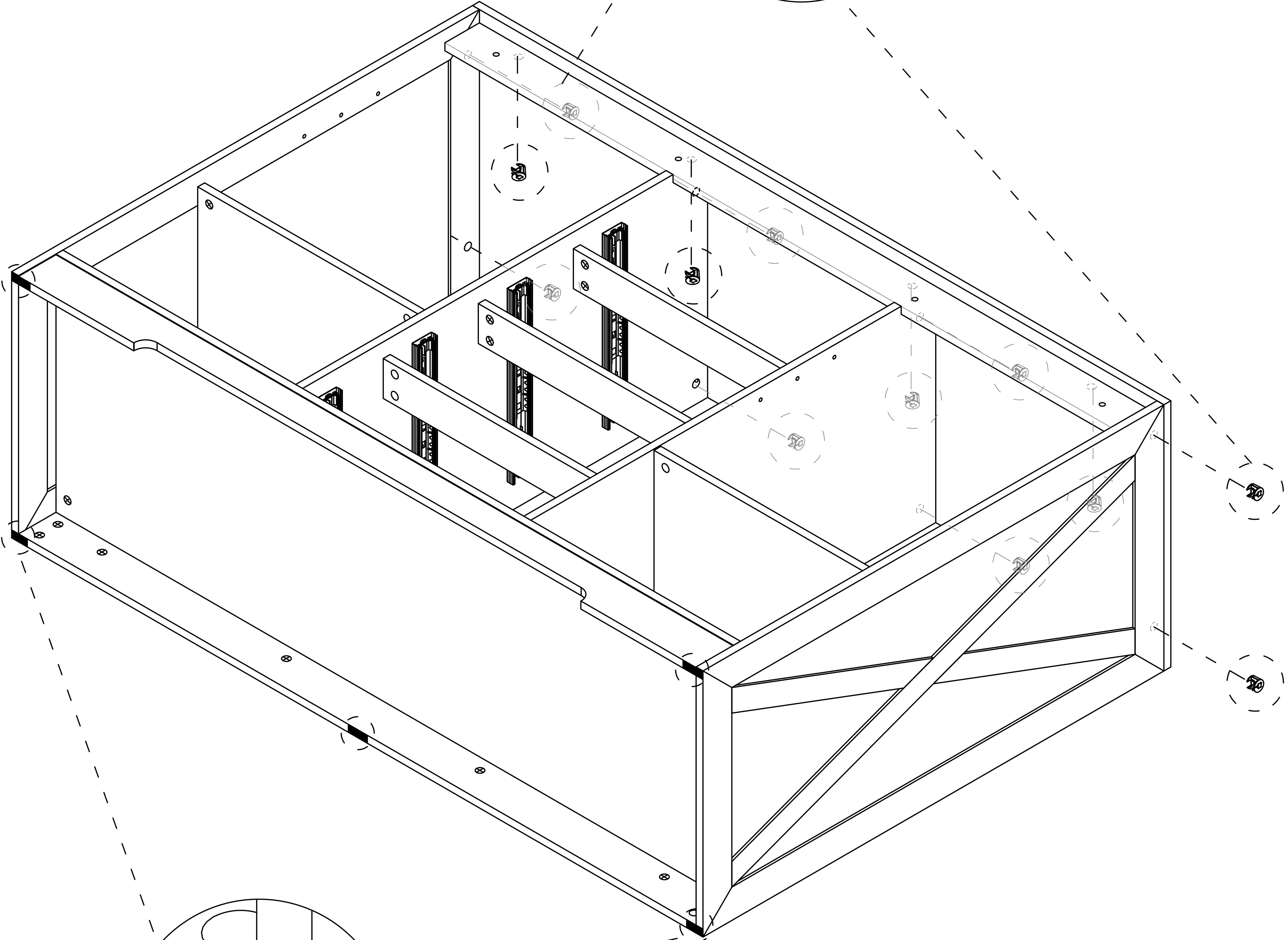


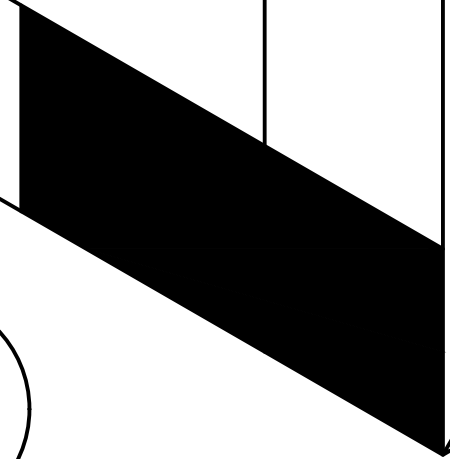
Step 33

B  x12

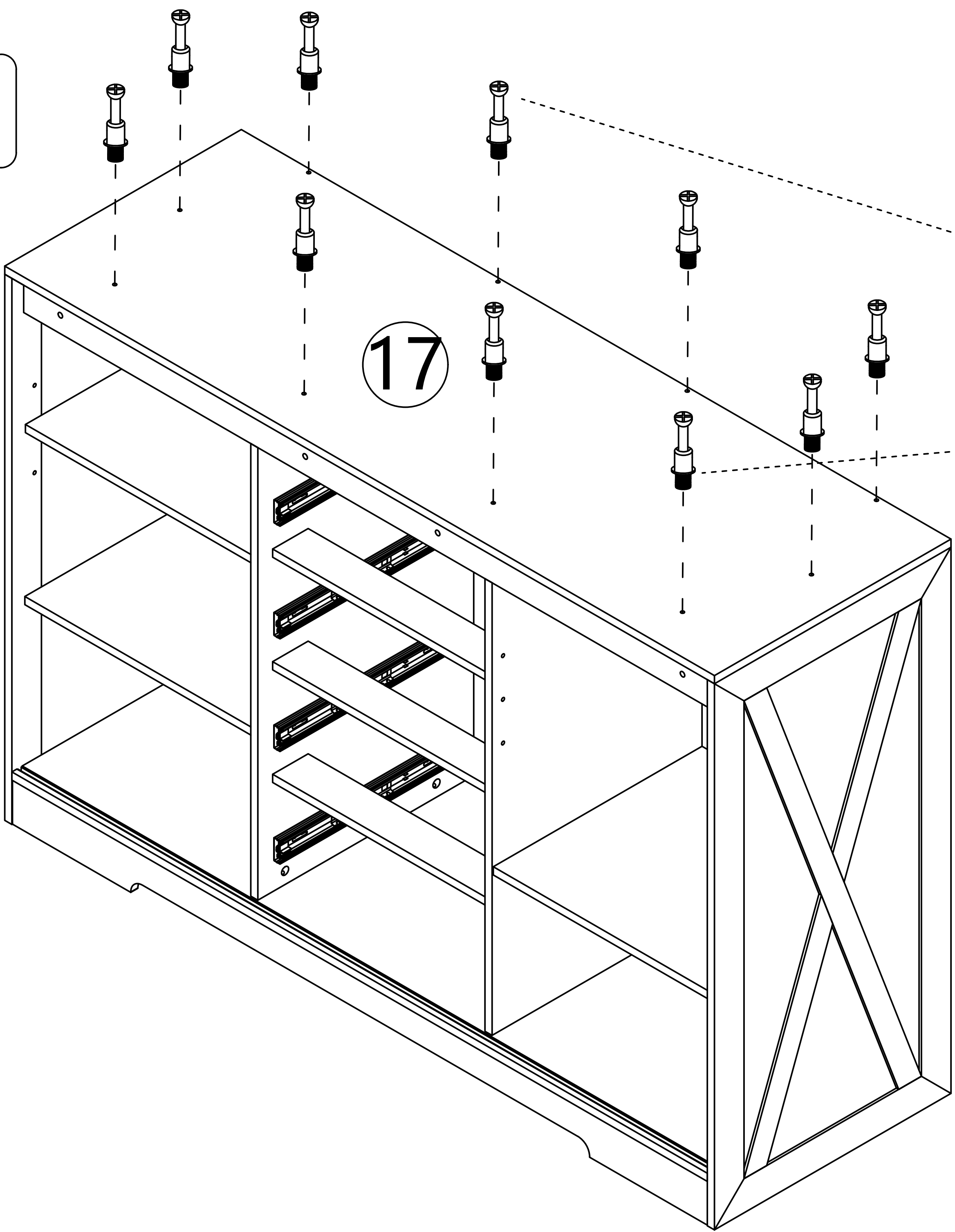
G  x5

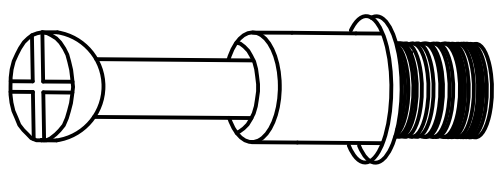
 x12 **B**

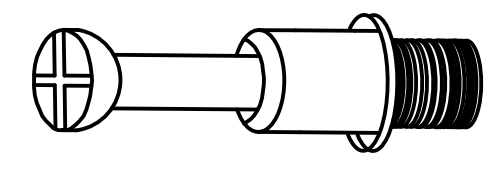


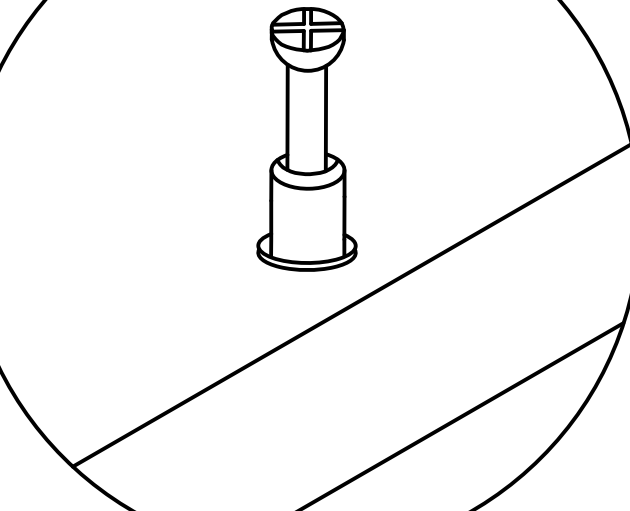
G 

Step 34

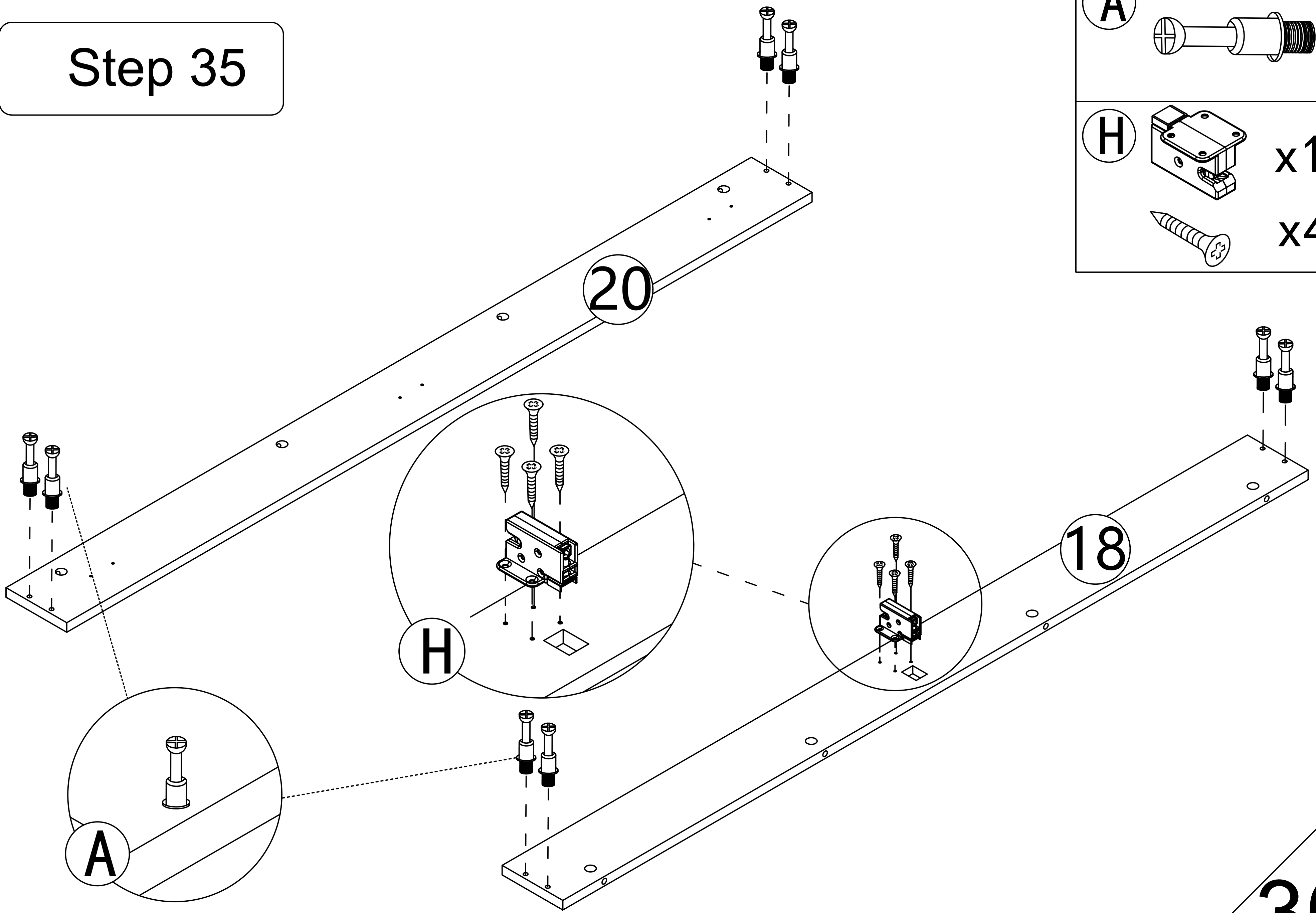


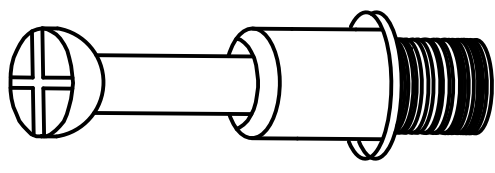
A  x10

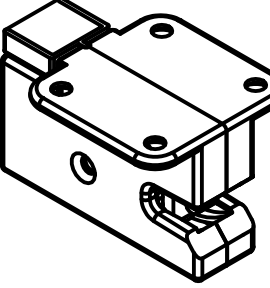
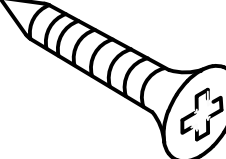
A  x10



Step 35

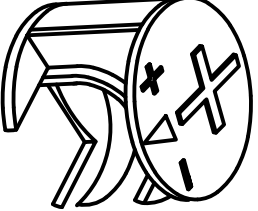


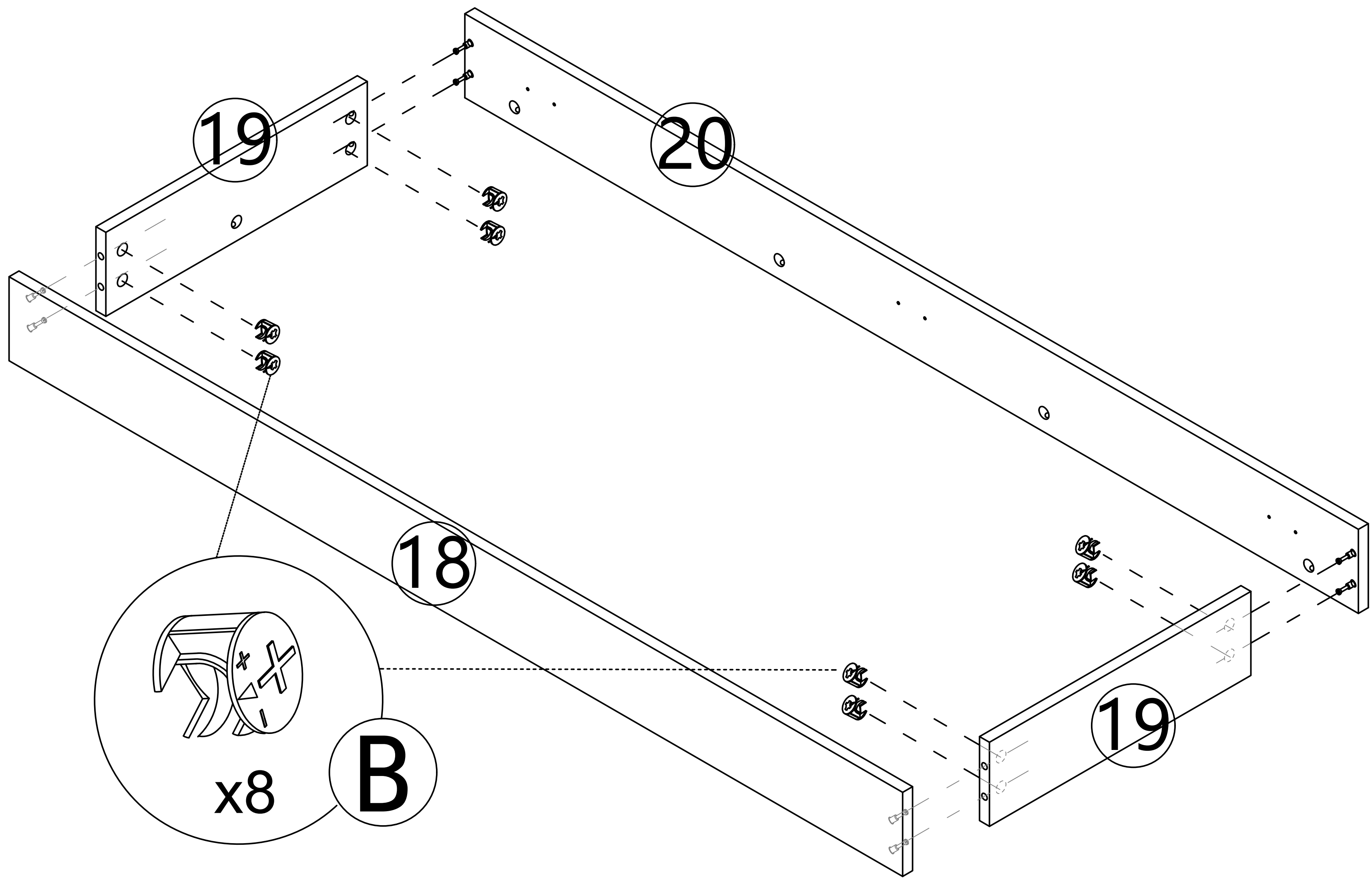
A  x8

H  x1
 x4

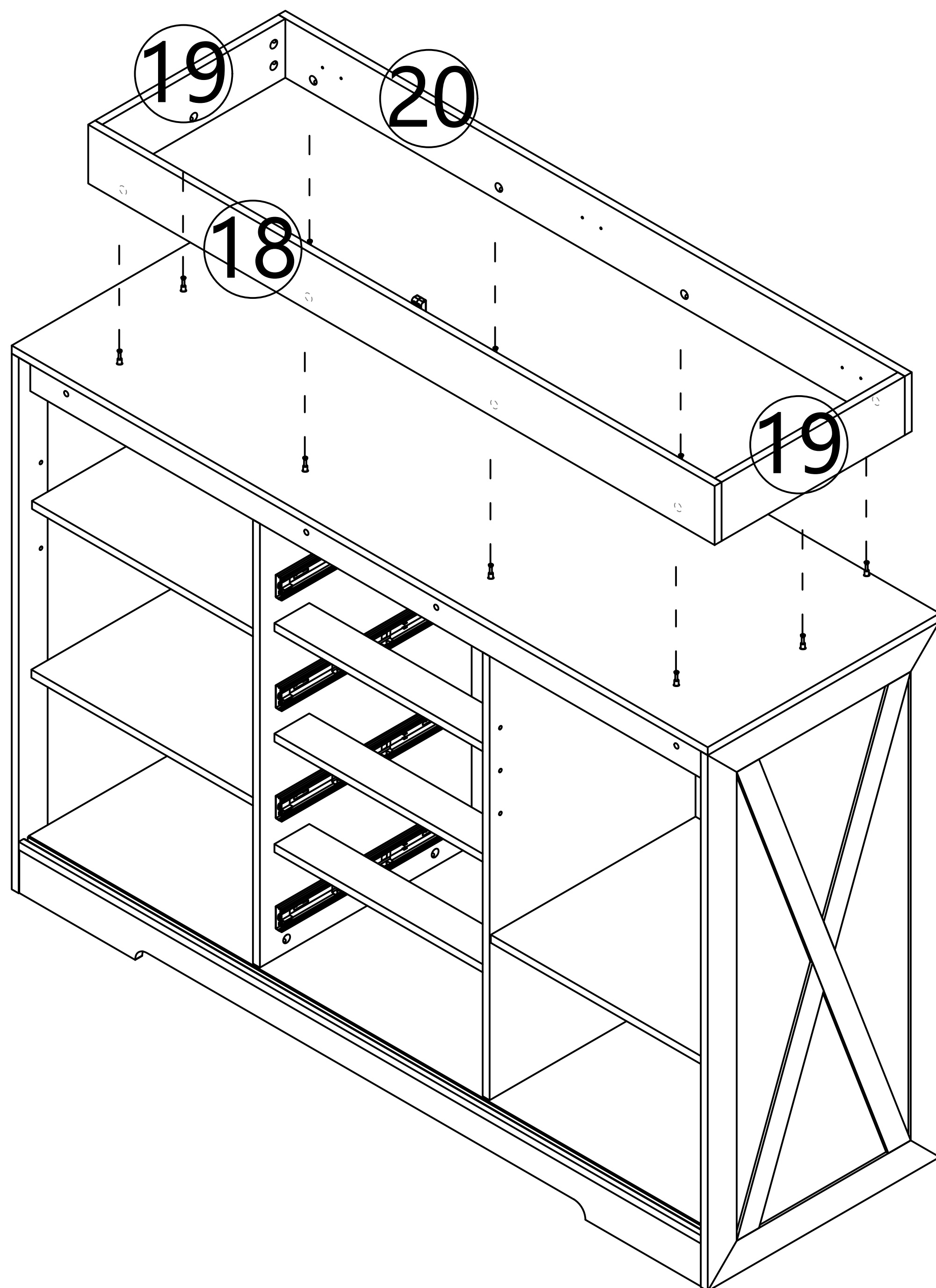
30

Step 36

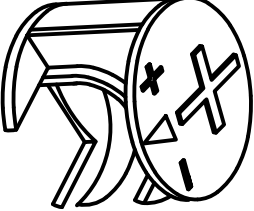
B  x8

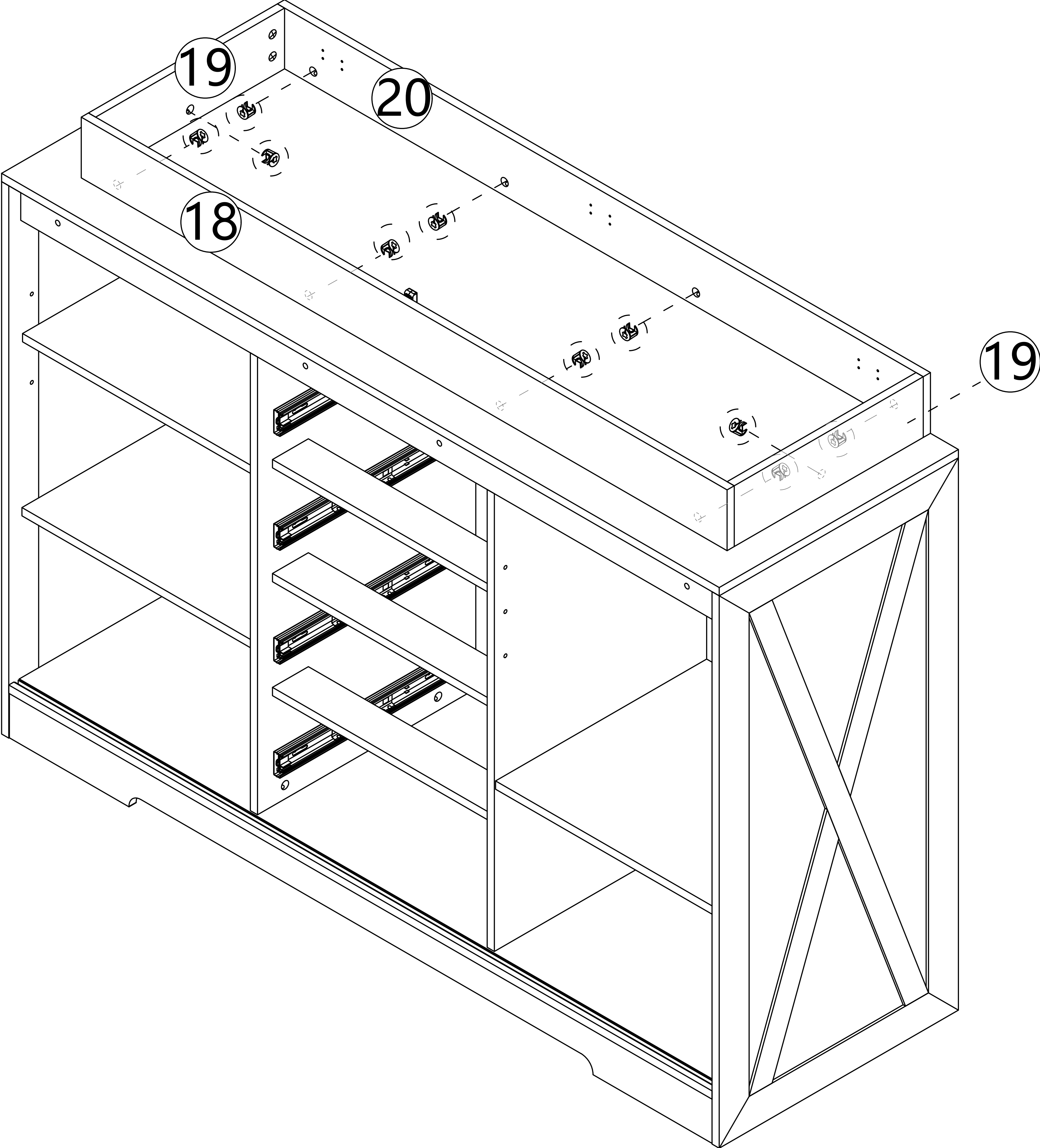


Step 37

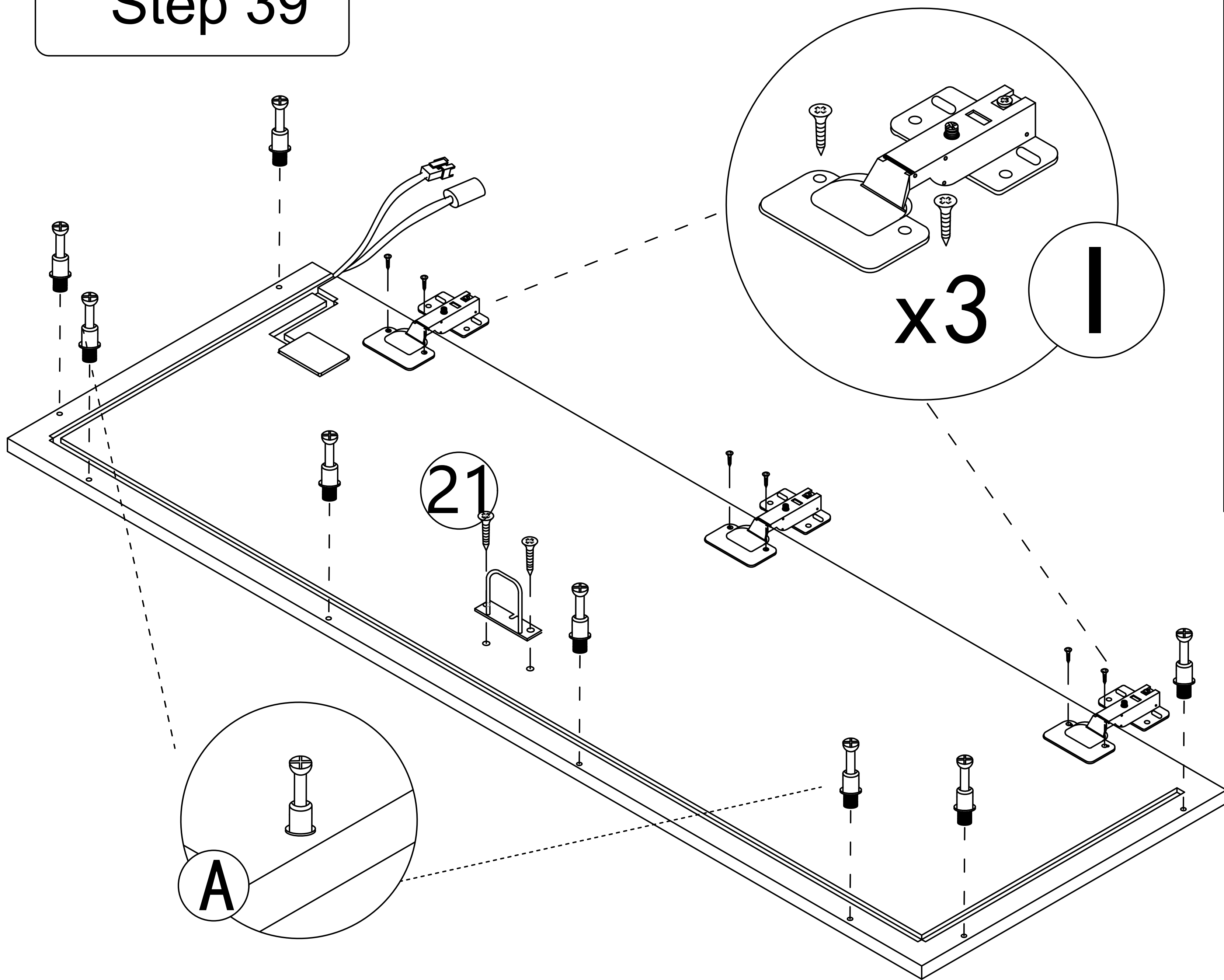


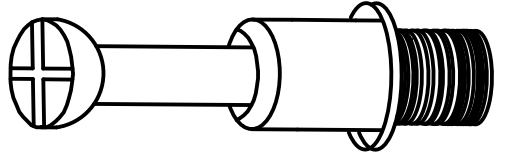
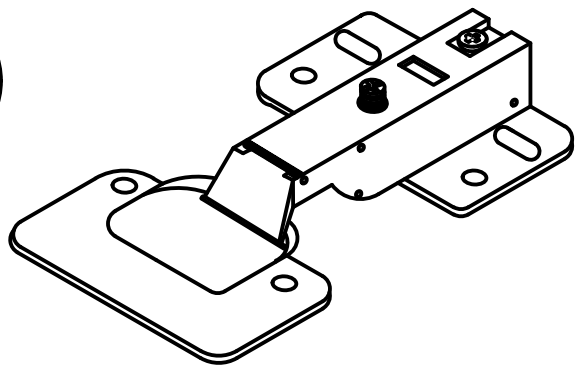
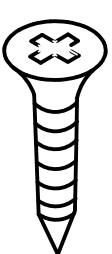
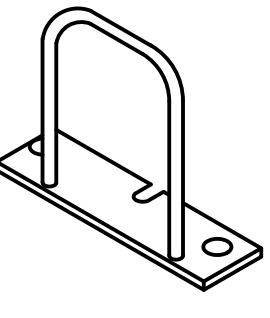
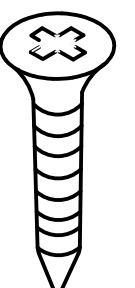
Step 38

B  x10

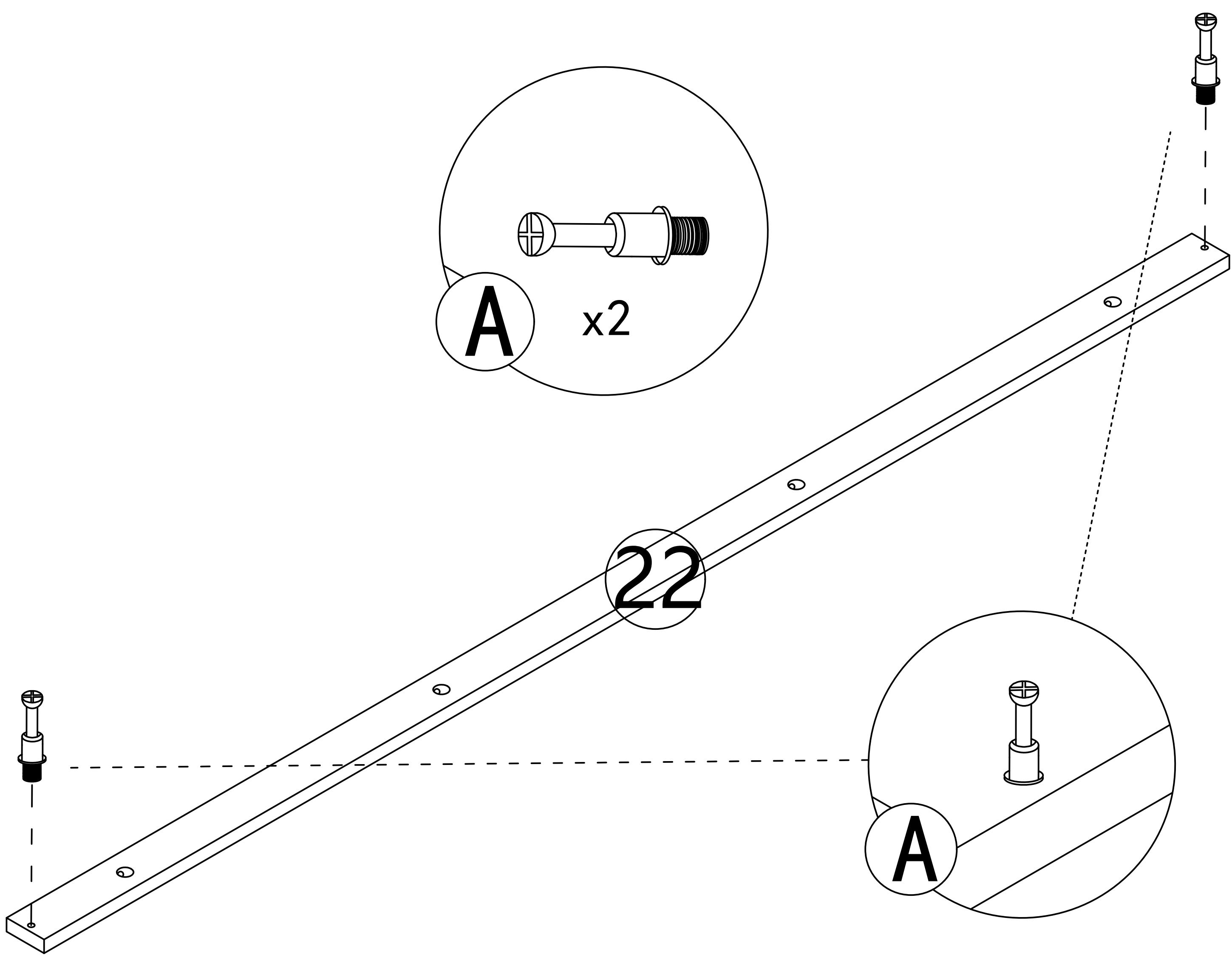


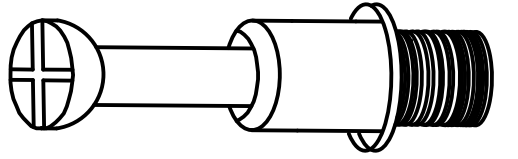
Step 39



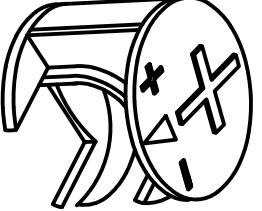
- A**  x8
- I**  x3
-  x6
- H**  x1
-  x2

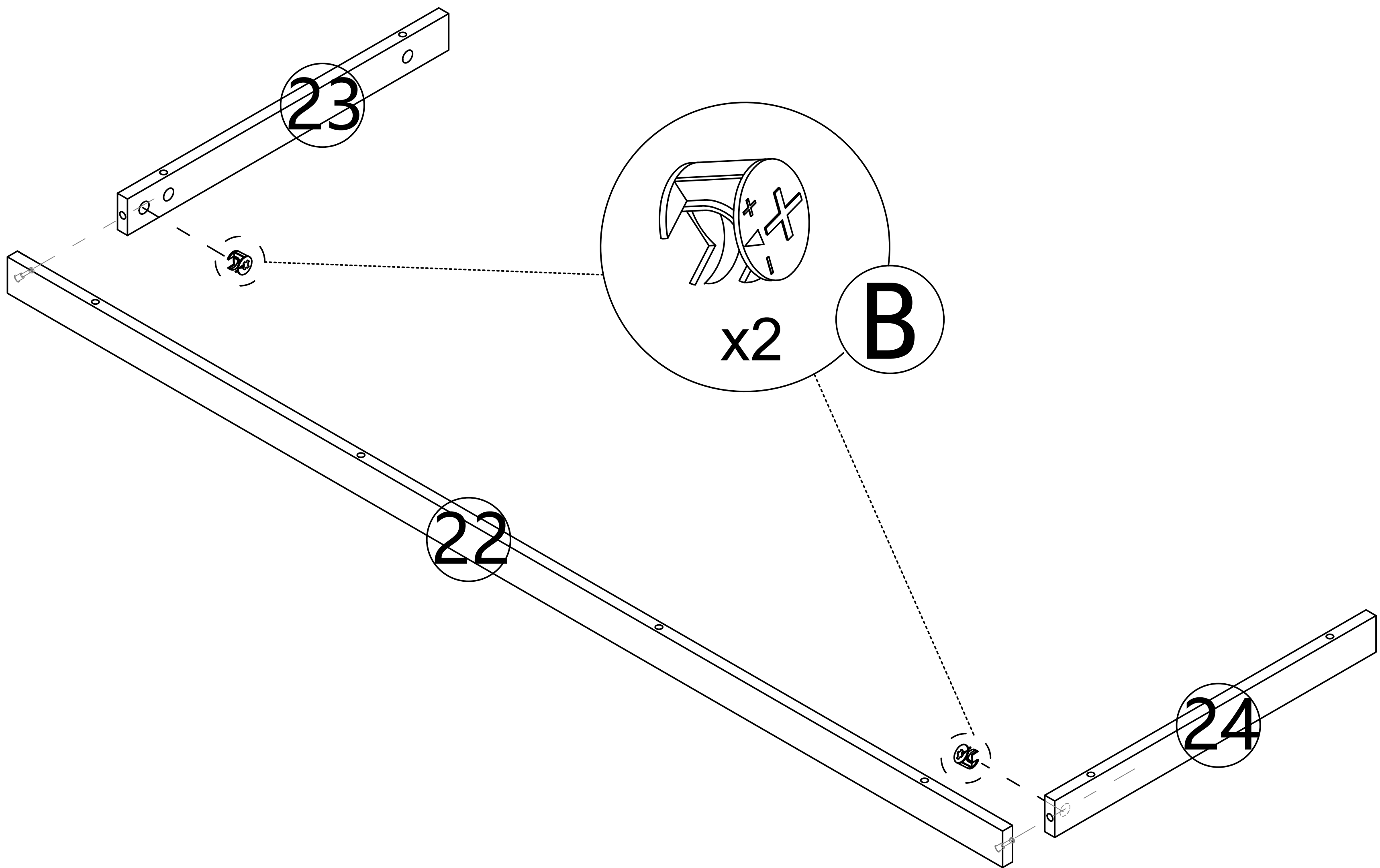
Step 40



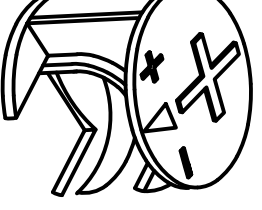
- A**  x2

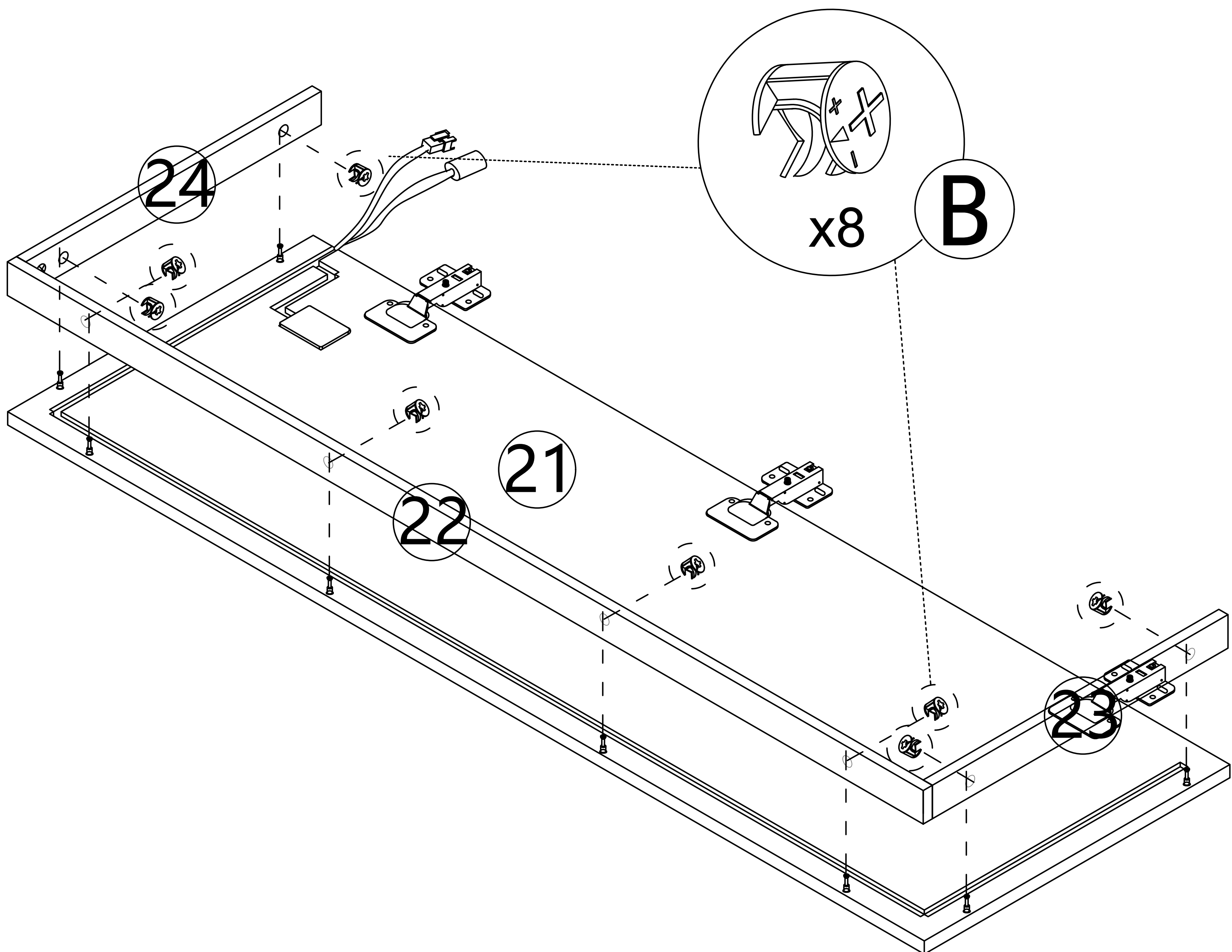
Step 41

B  x2

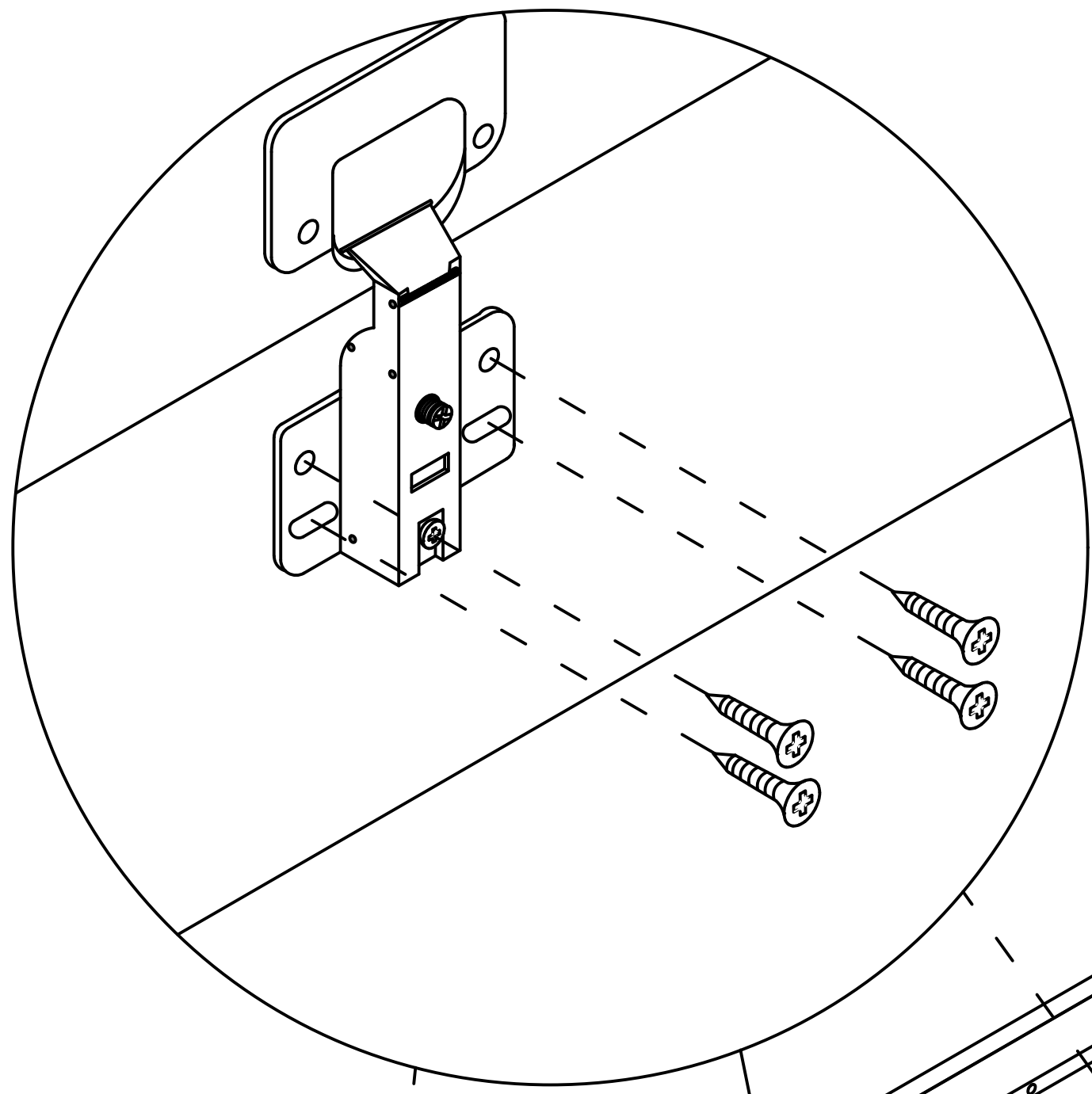


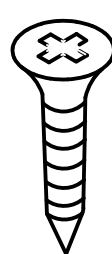

Step 42

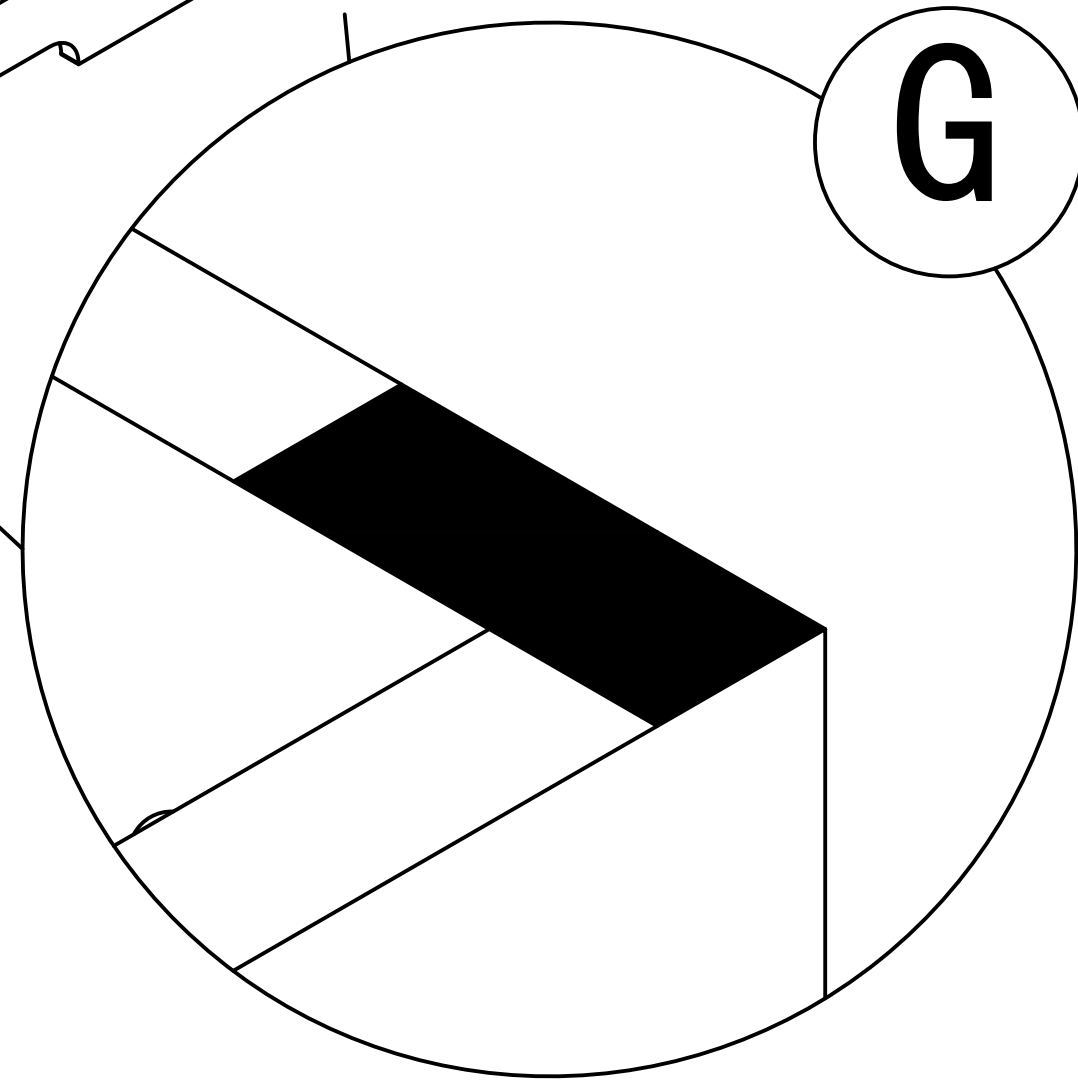
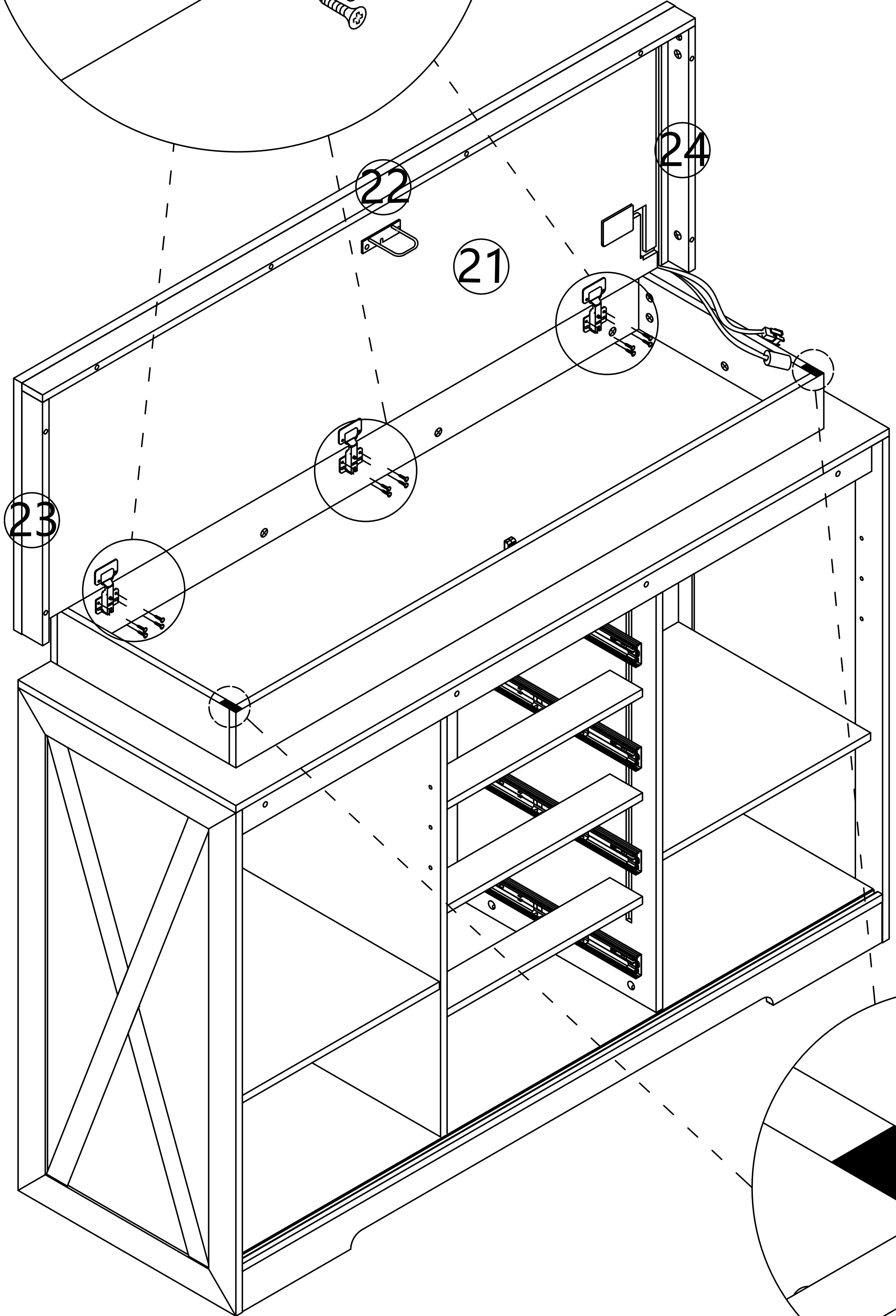
B  x8



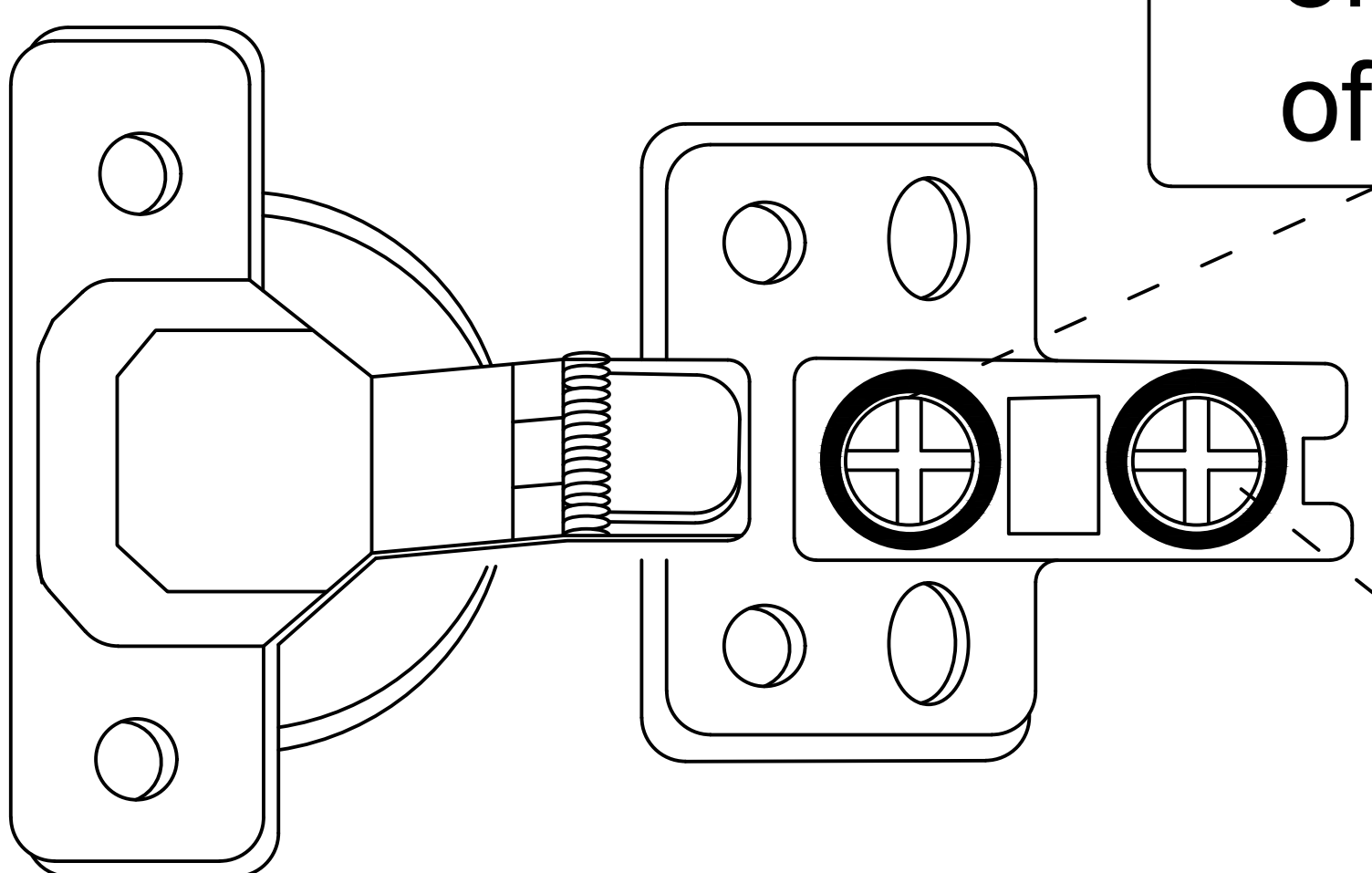
Step 43



- ①  x12
- ②  x2

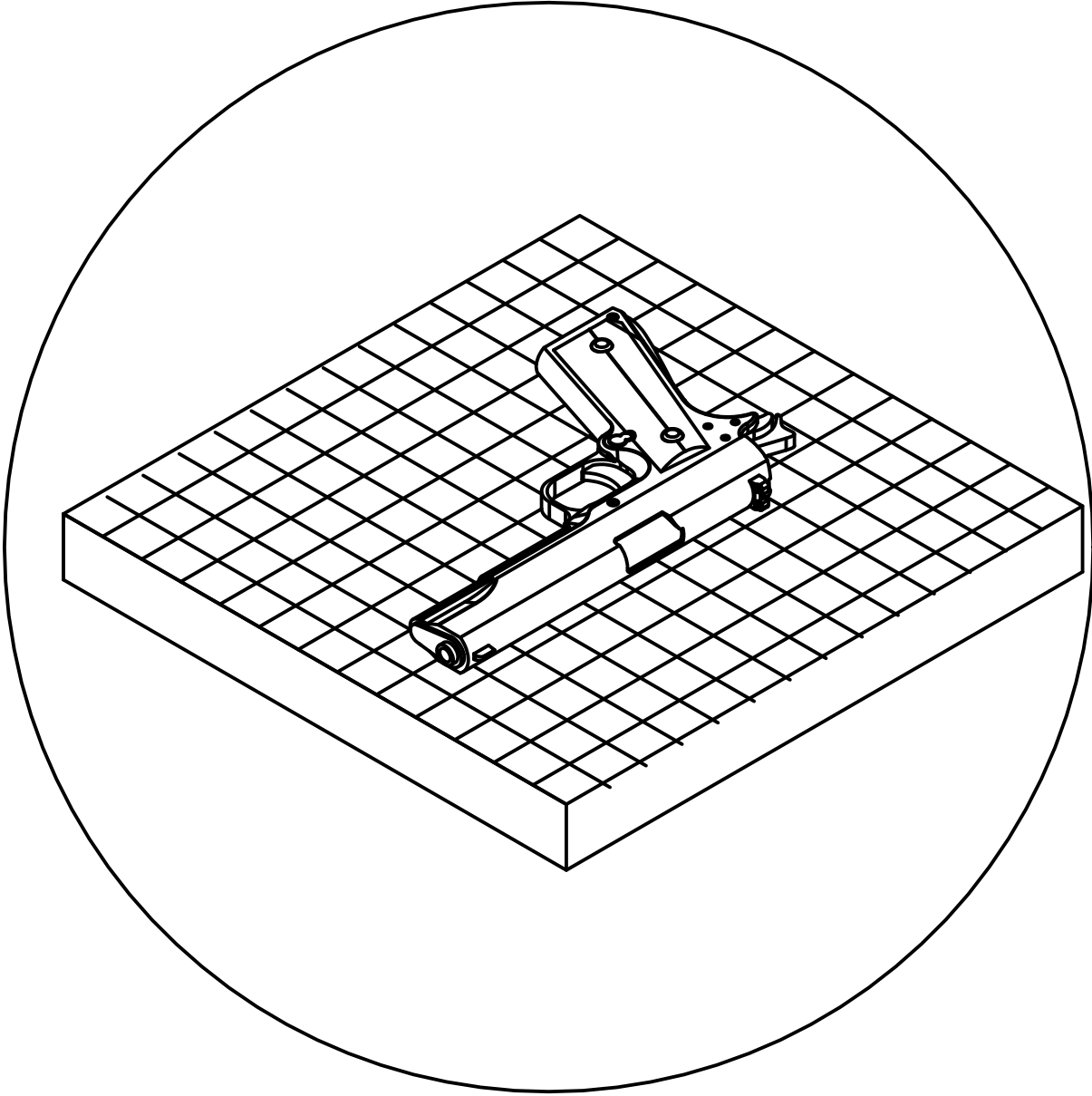
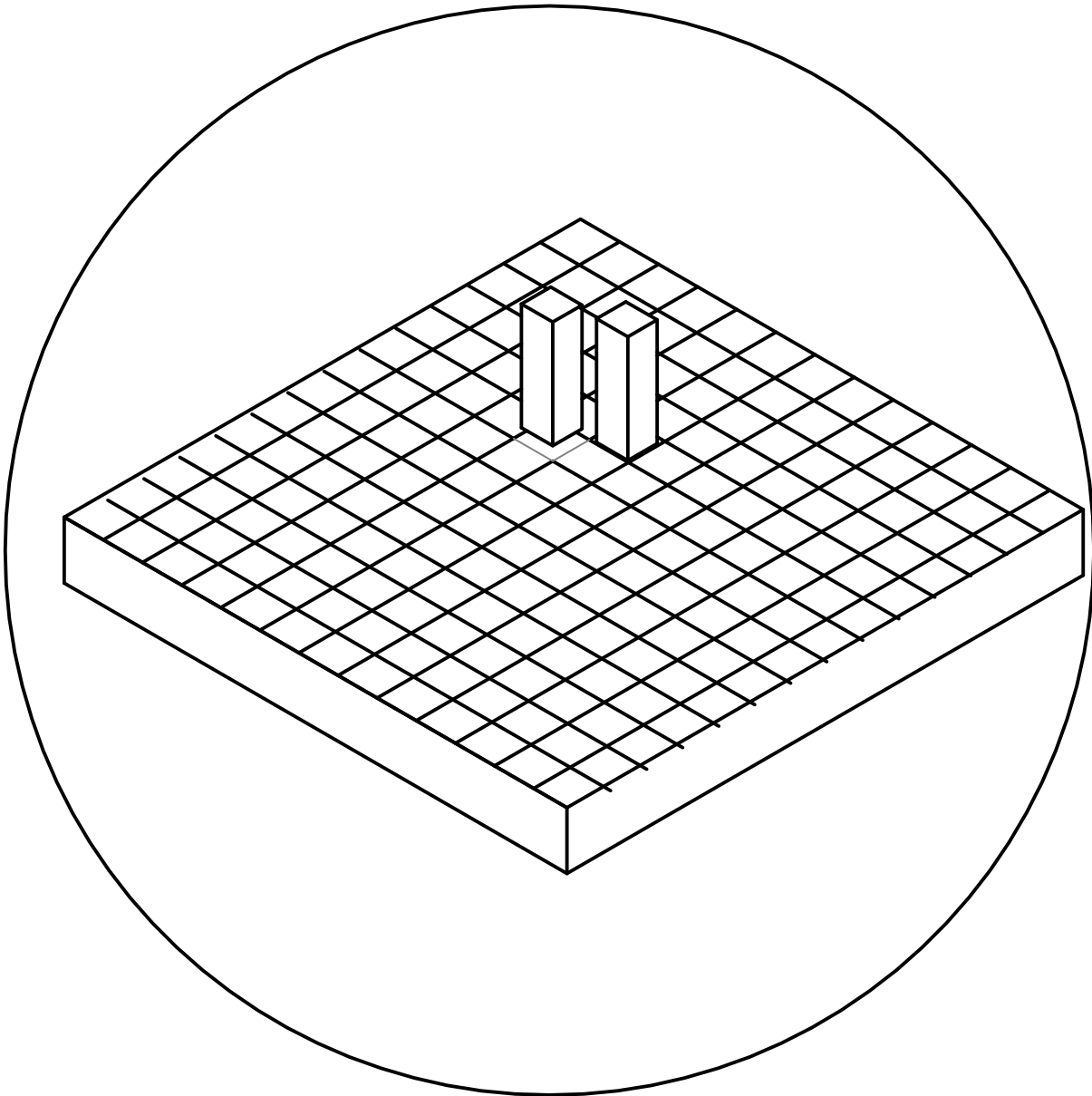


Turning this screw can effectively adjust the size of the mirror plate gap.

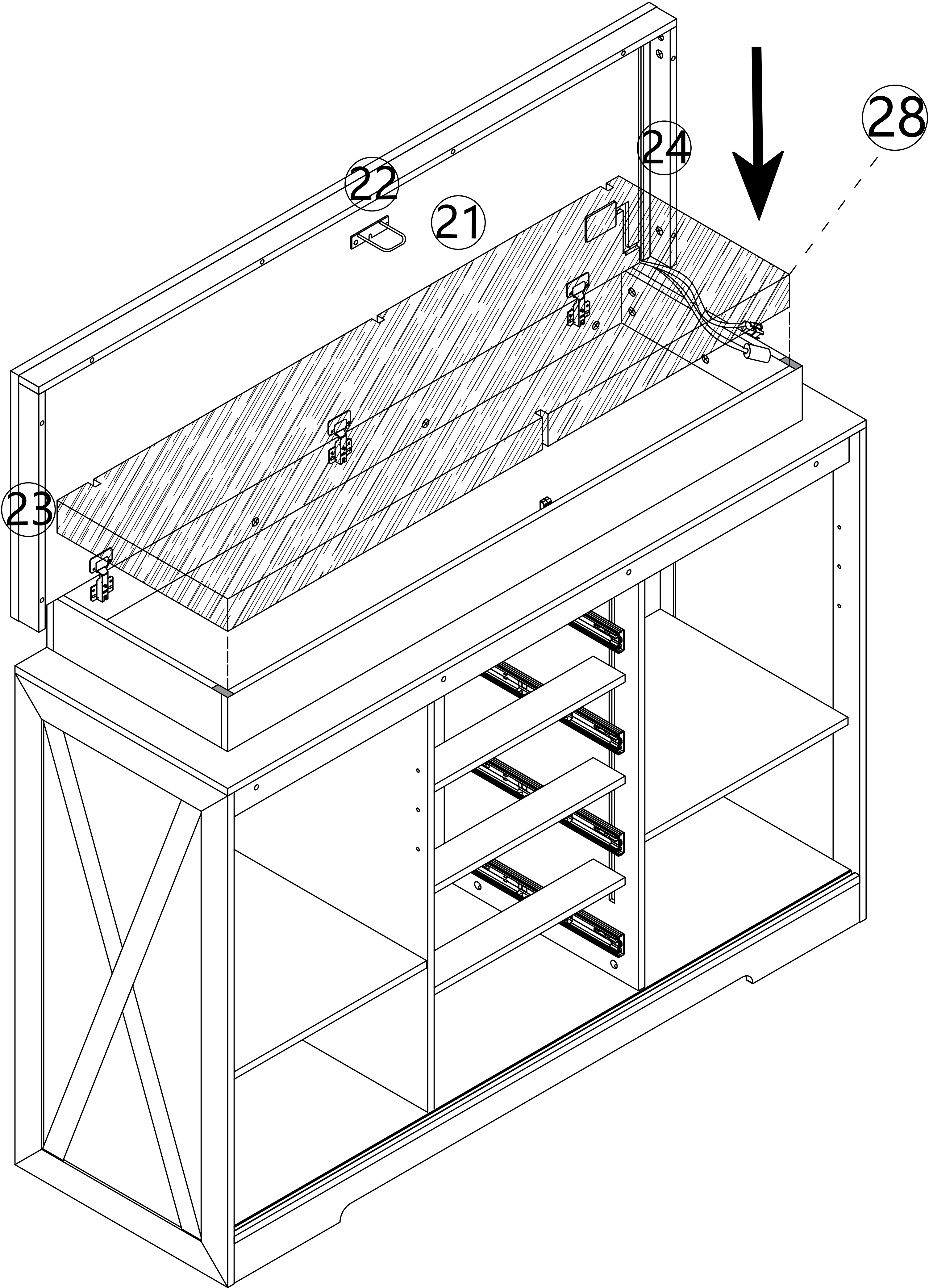


Turn this screw to adjust the mirror panel to be flush with the side panel.

Step 44

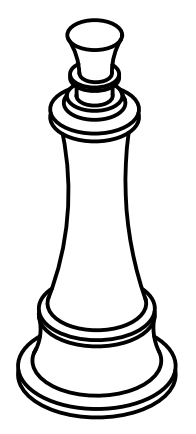


Black pearl cotton can be molded into the desired shape by deducting small squares

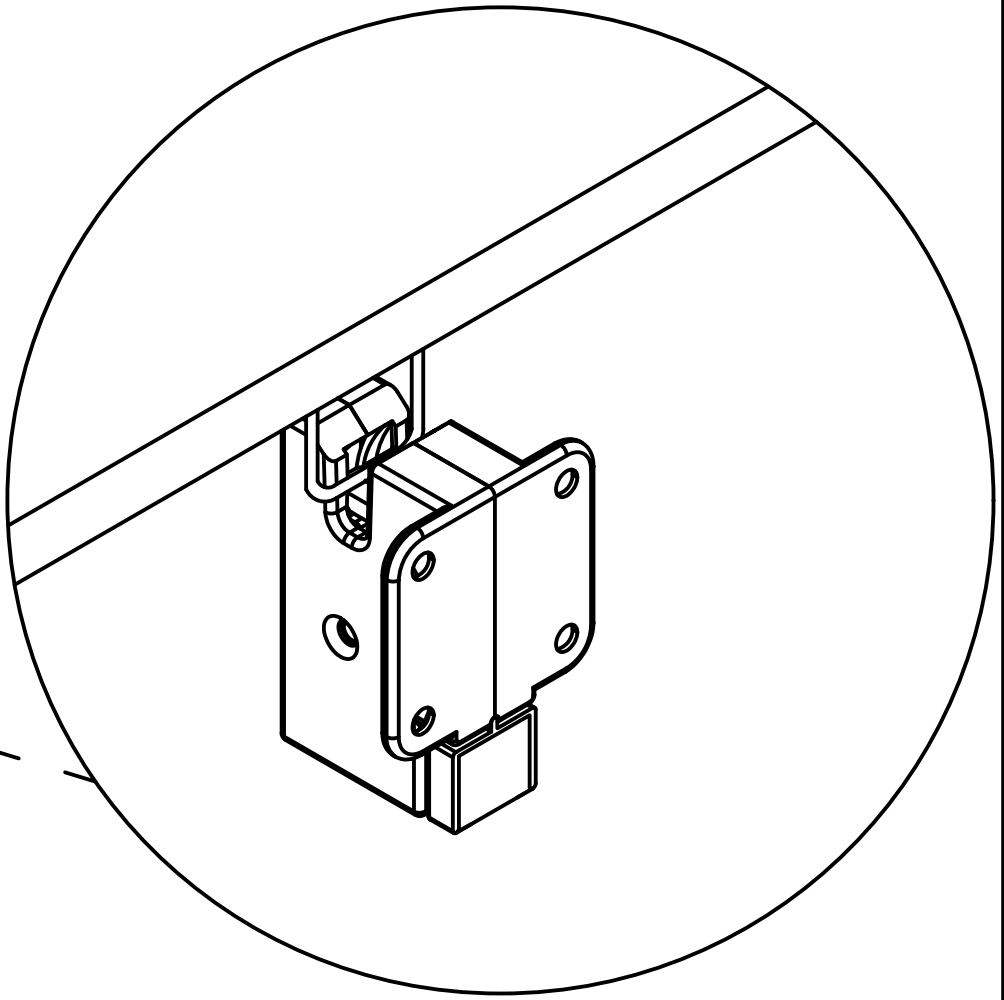
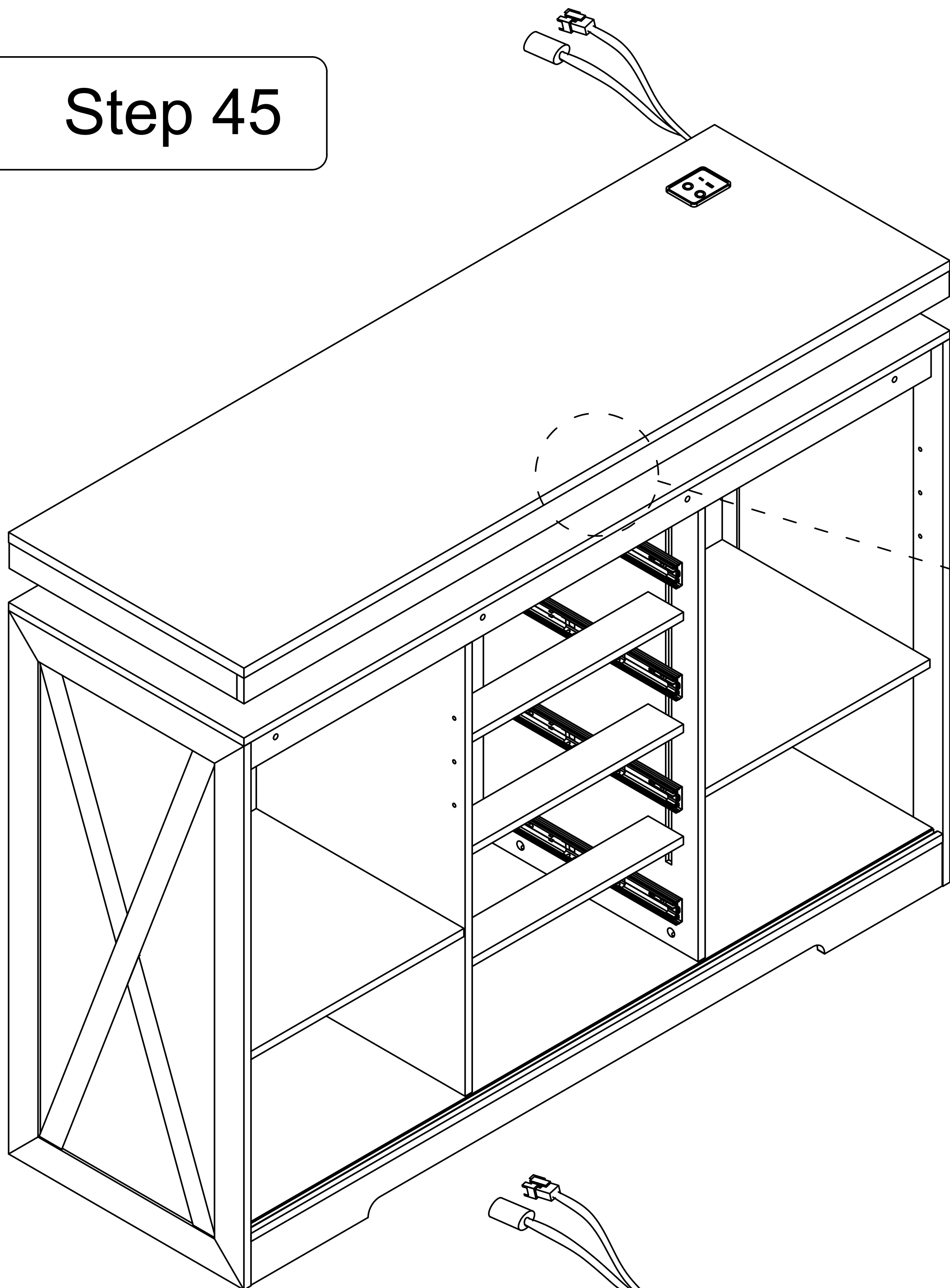


Step 45

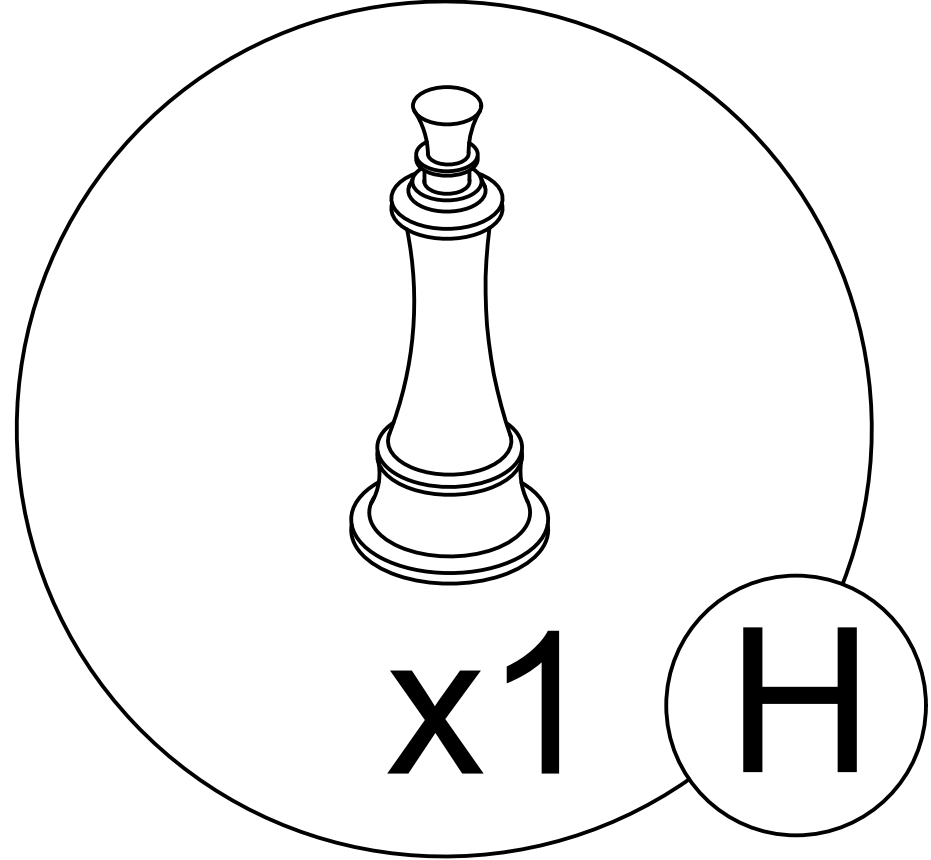
H



x1

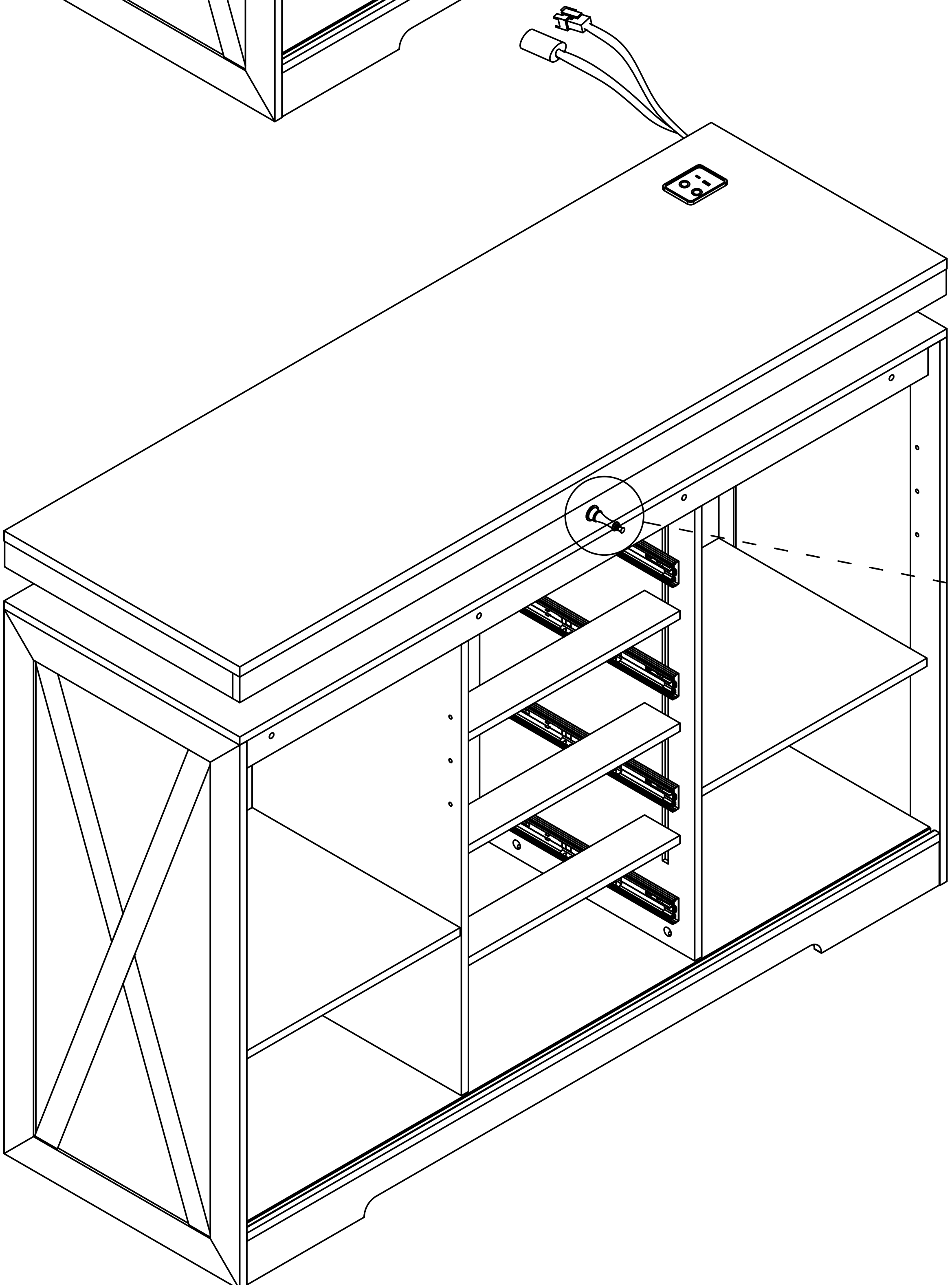


lock

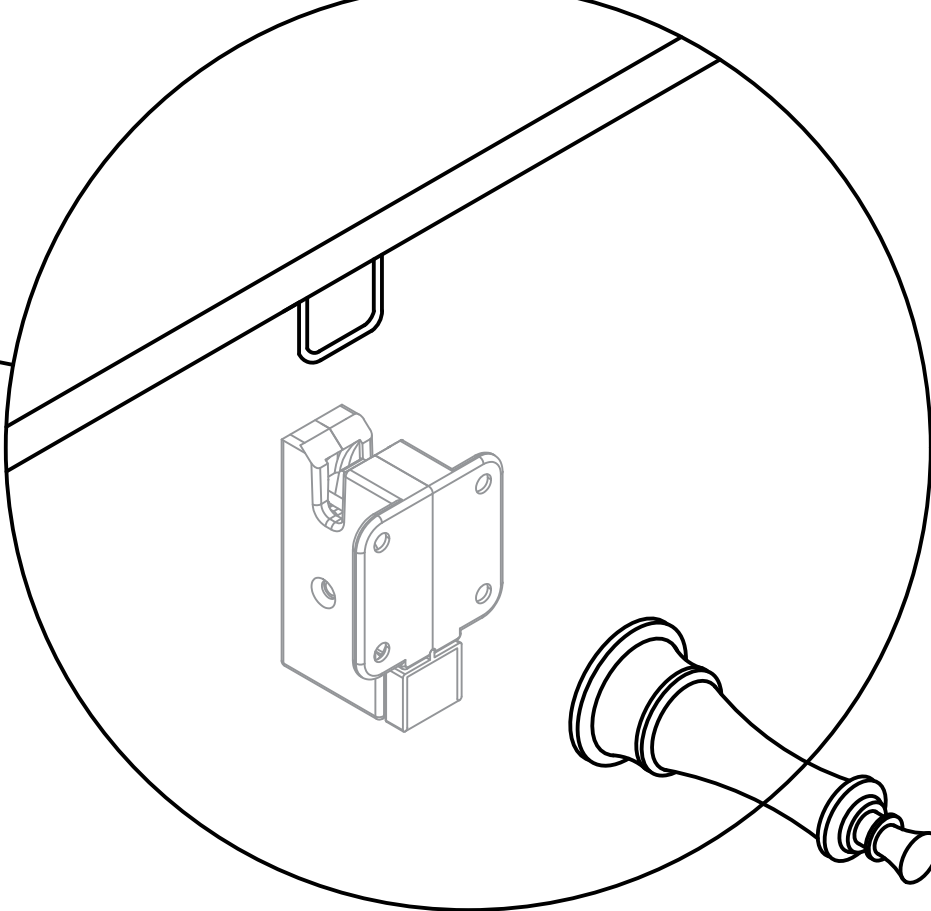


x1

H

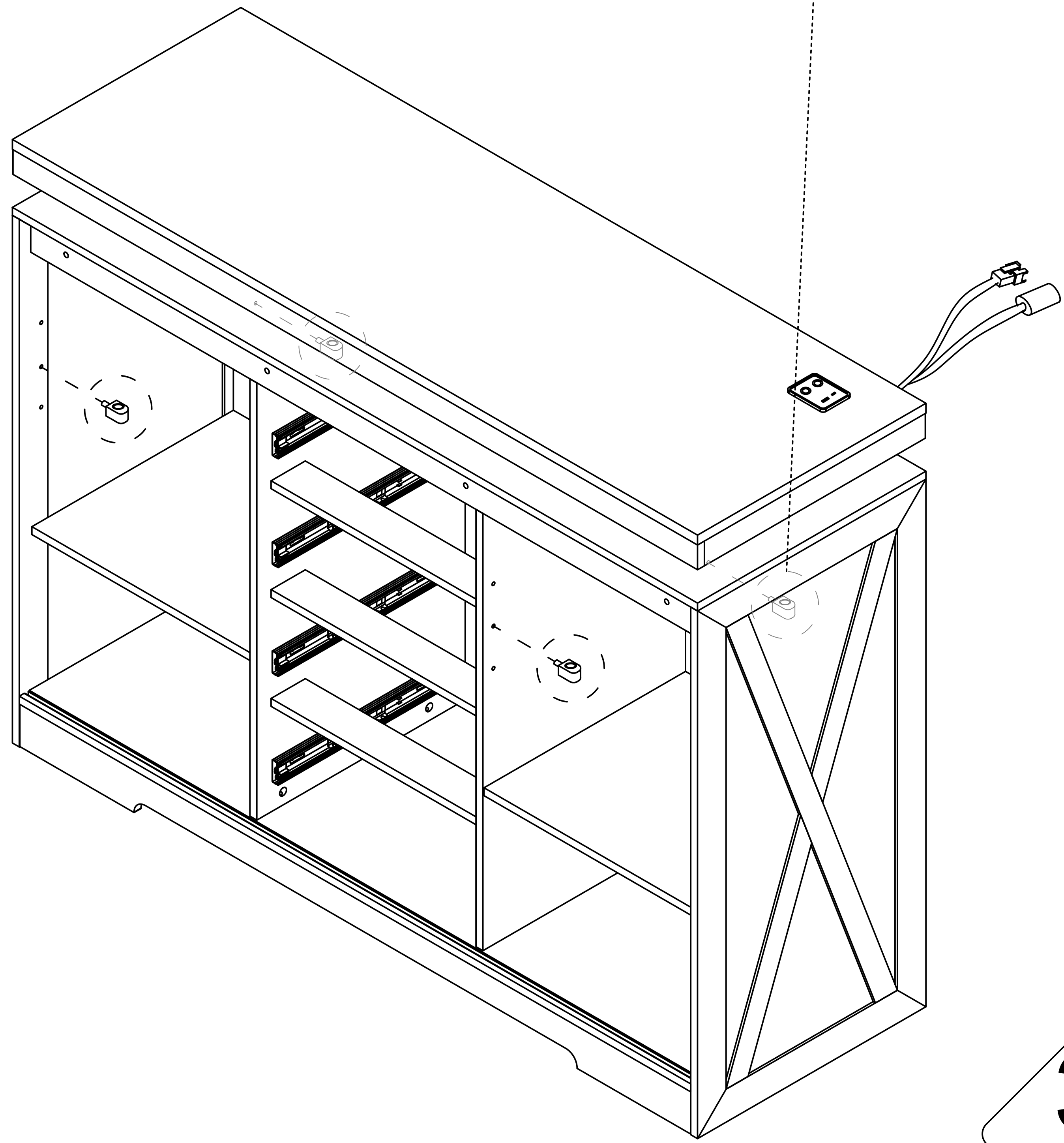
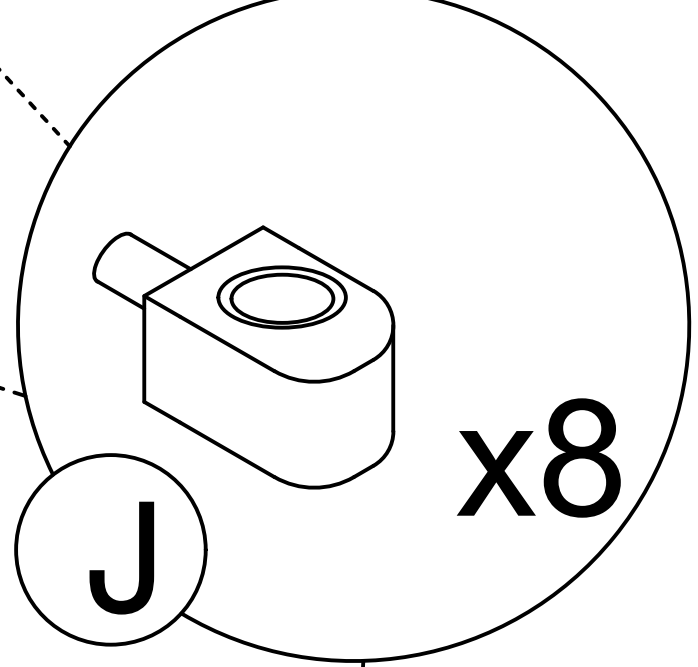
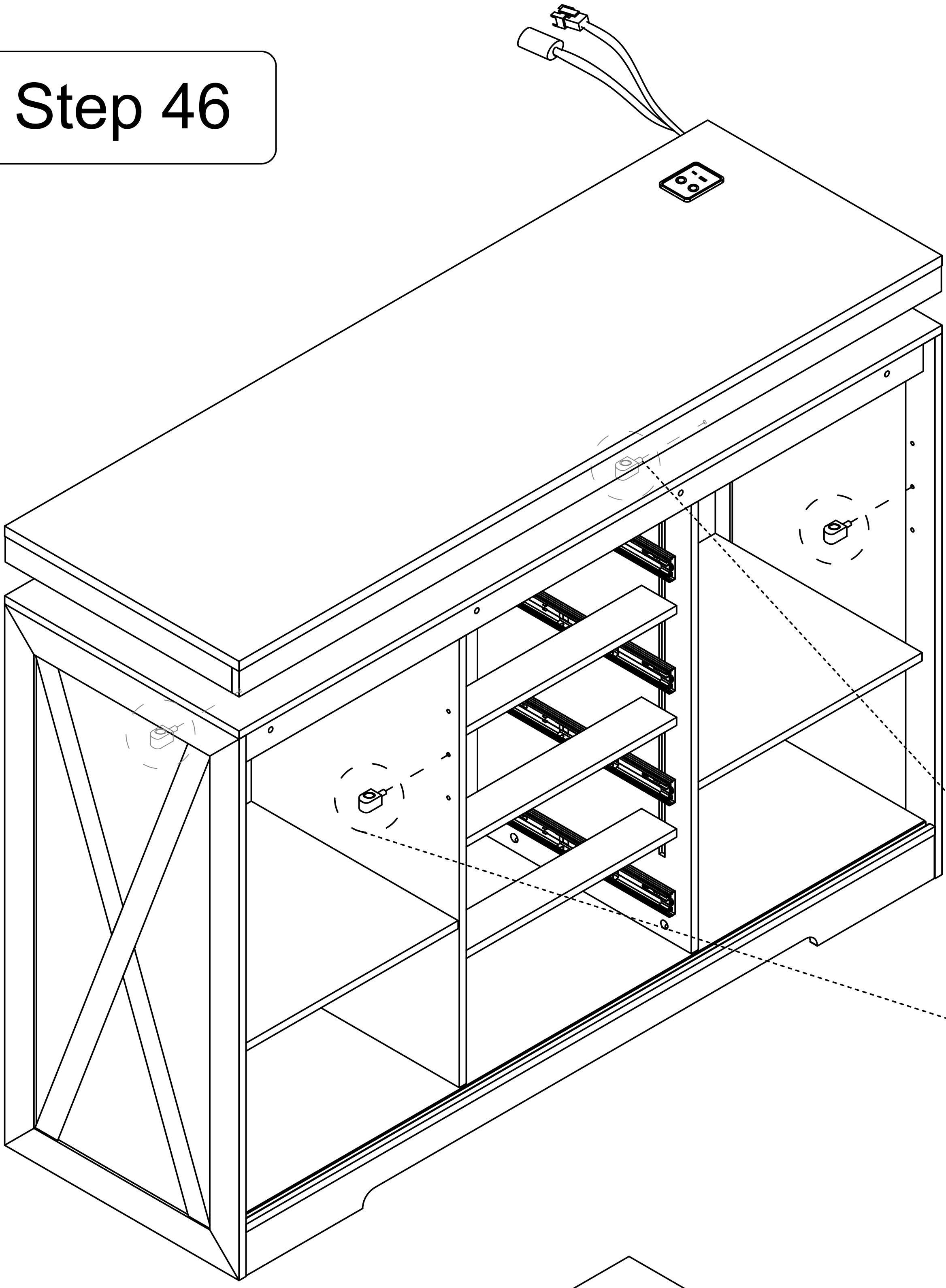
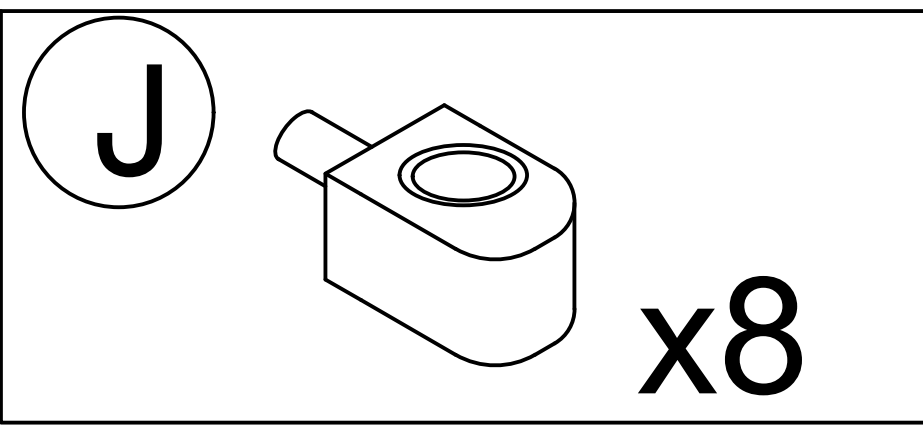


Open lock

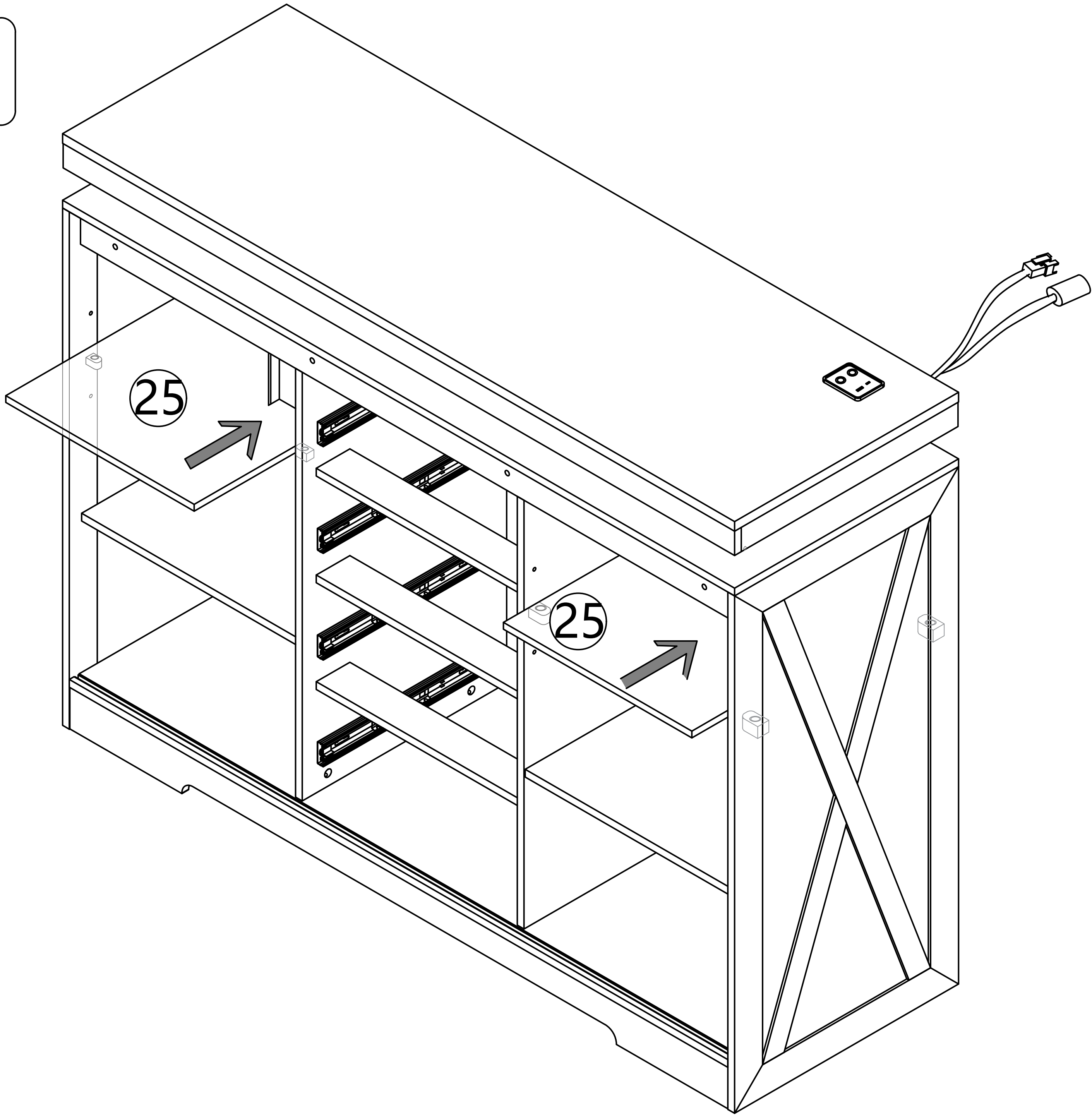


Place the magnetic key in front of the hidden lock.(in front of the No.18 board)

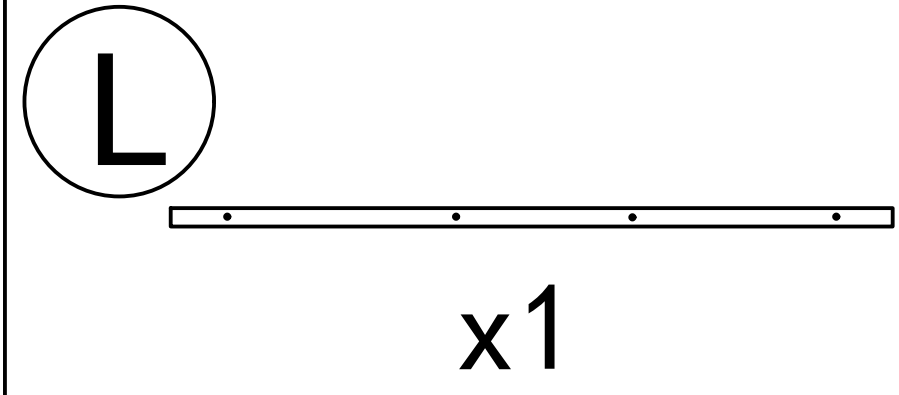
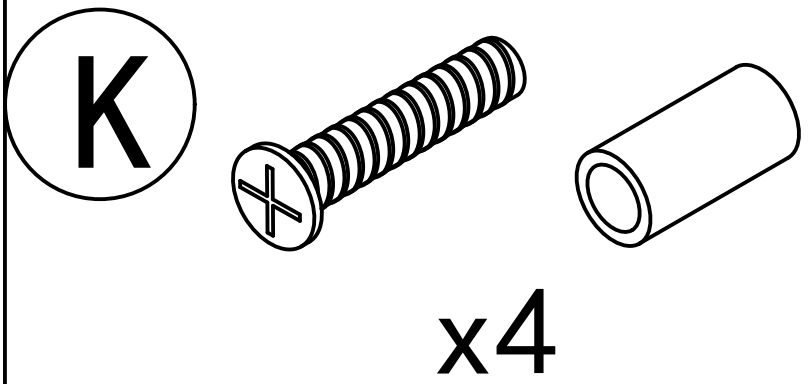
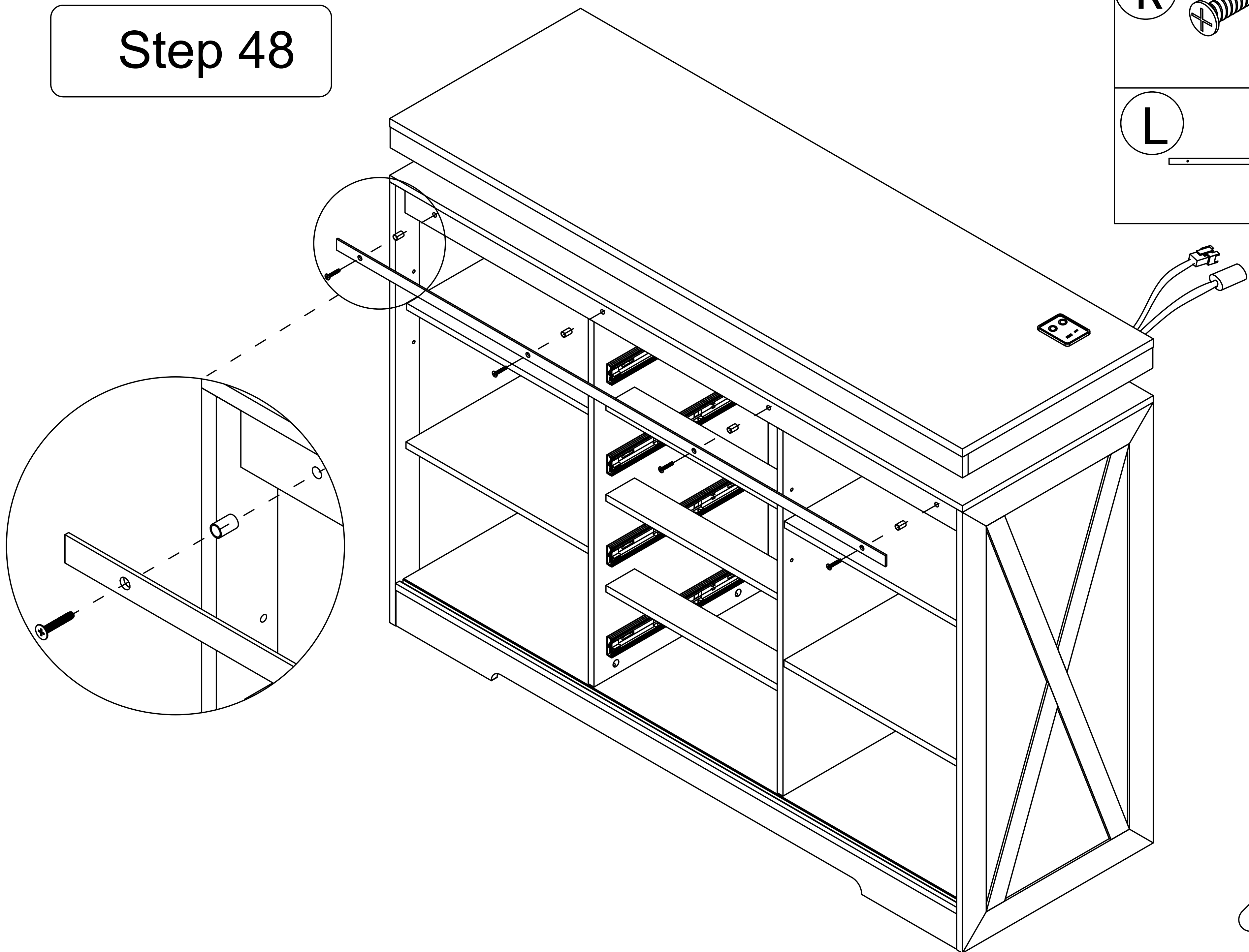
Step 46

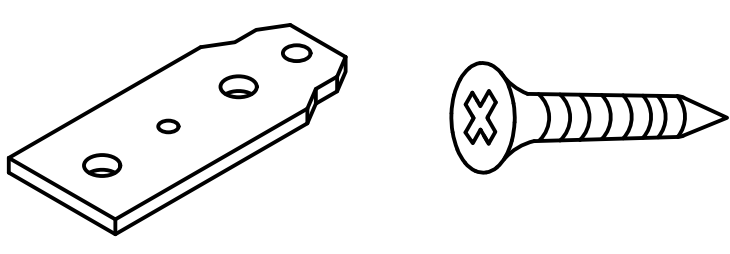
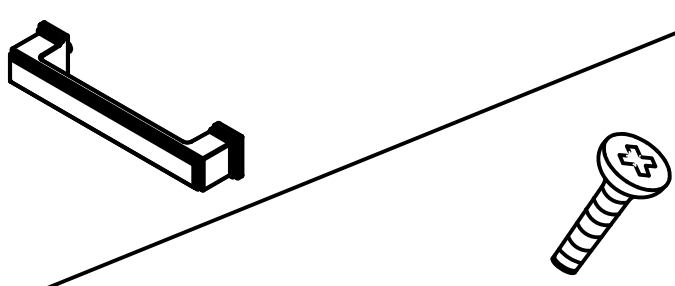
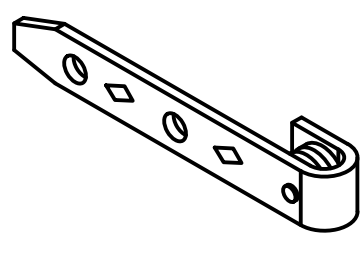
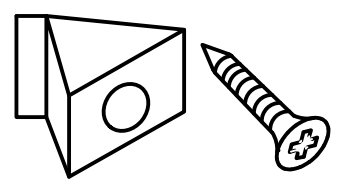
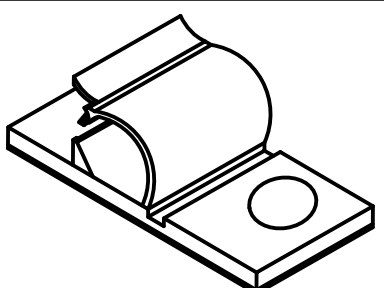
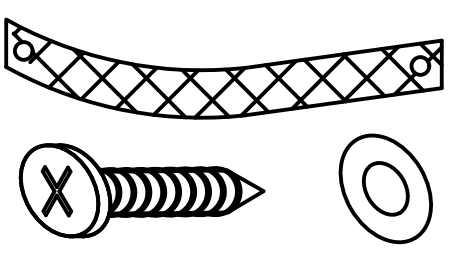
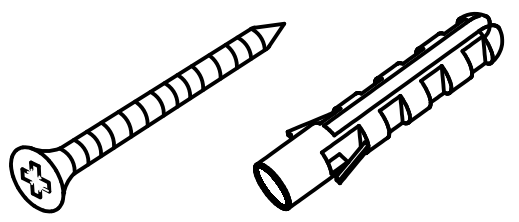
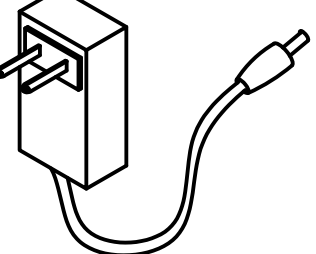


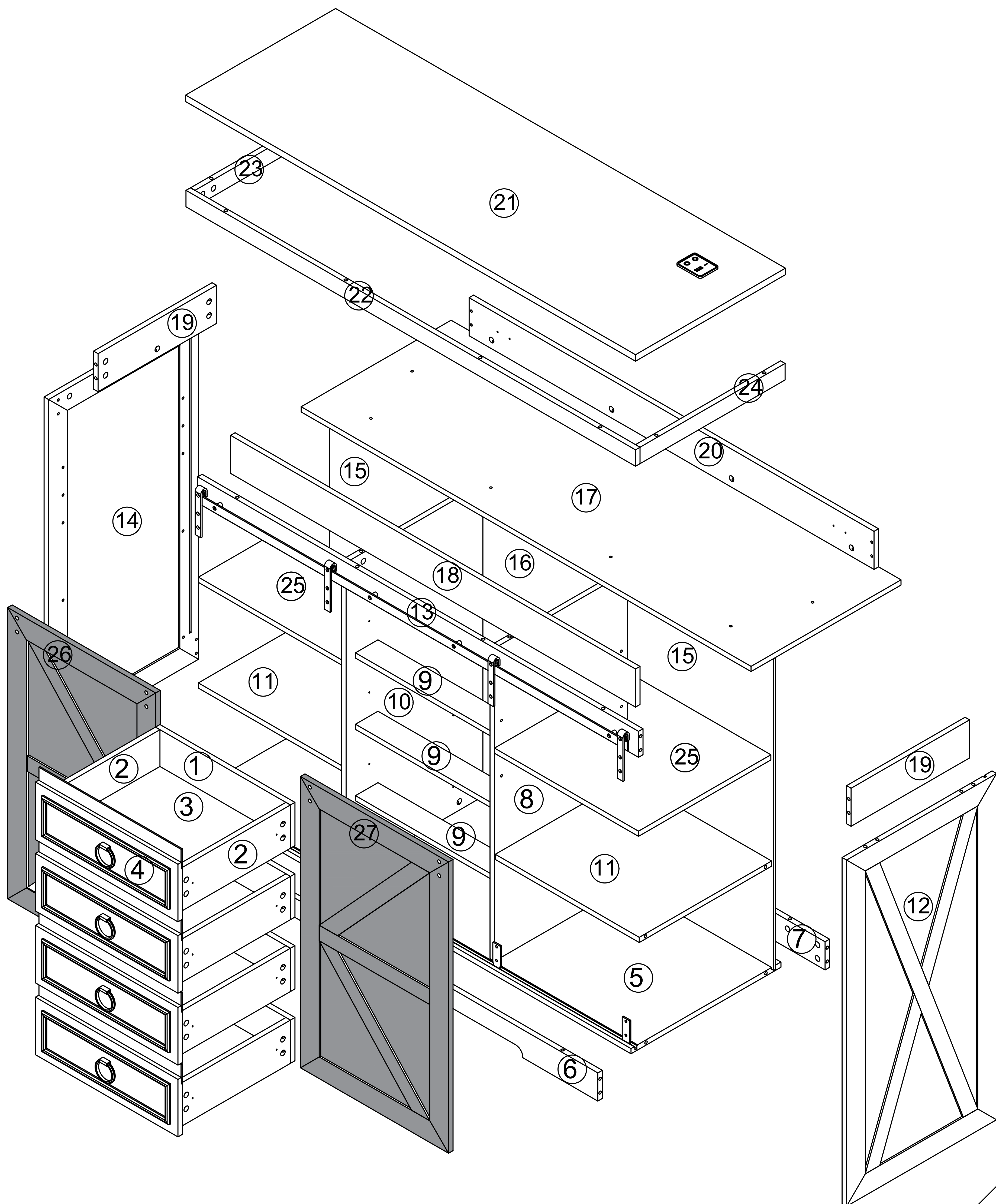
Step 47



Step 48

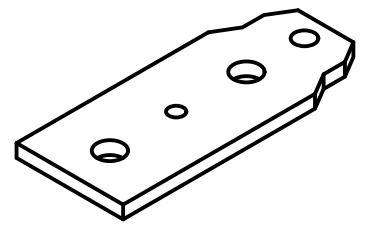


M		4pcs 8pcs	N		2pcs 4pcs	O		4pcs
Q		15pcs	R		1pcs	S		1pcs
T		1pcs	 x1					

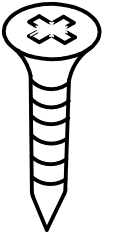


Step 49

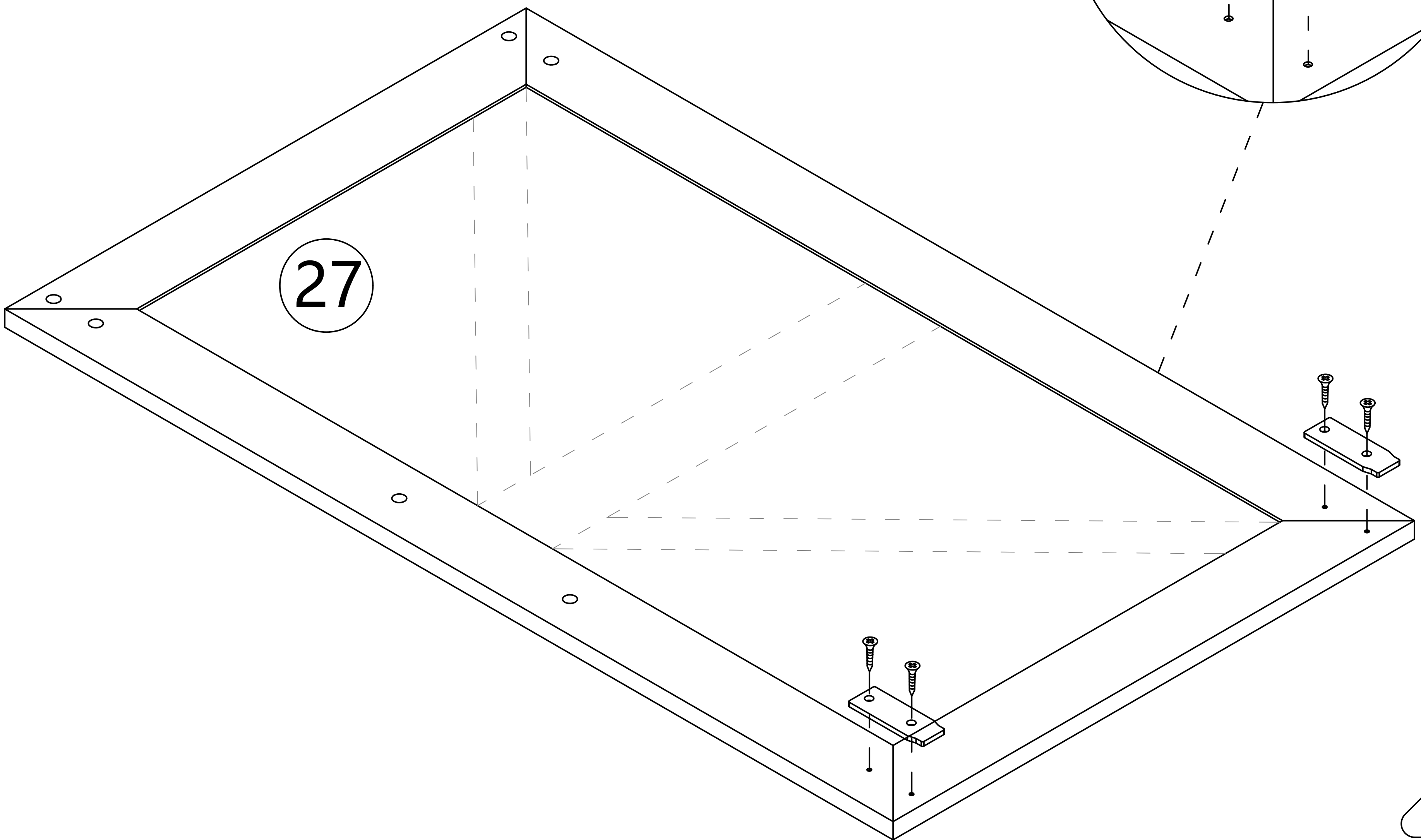
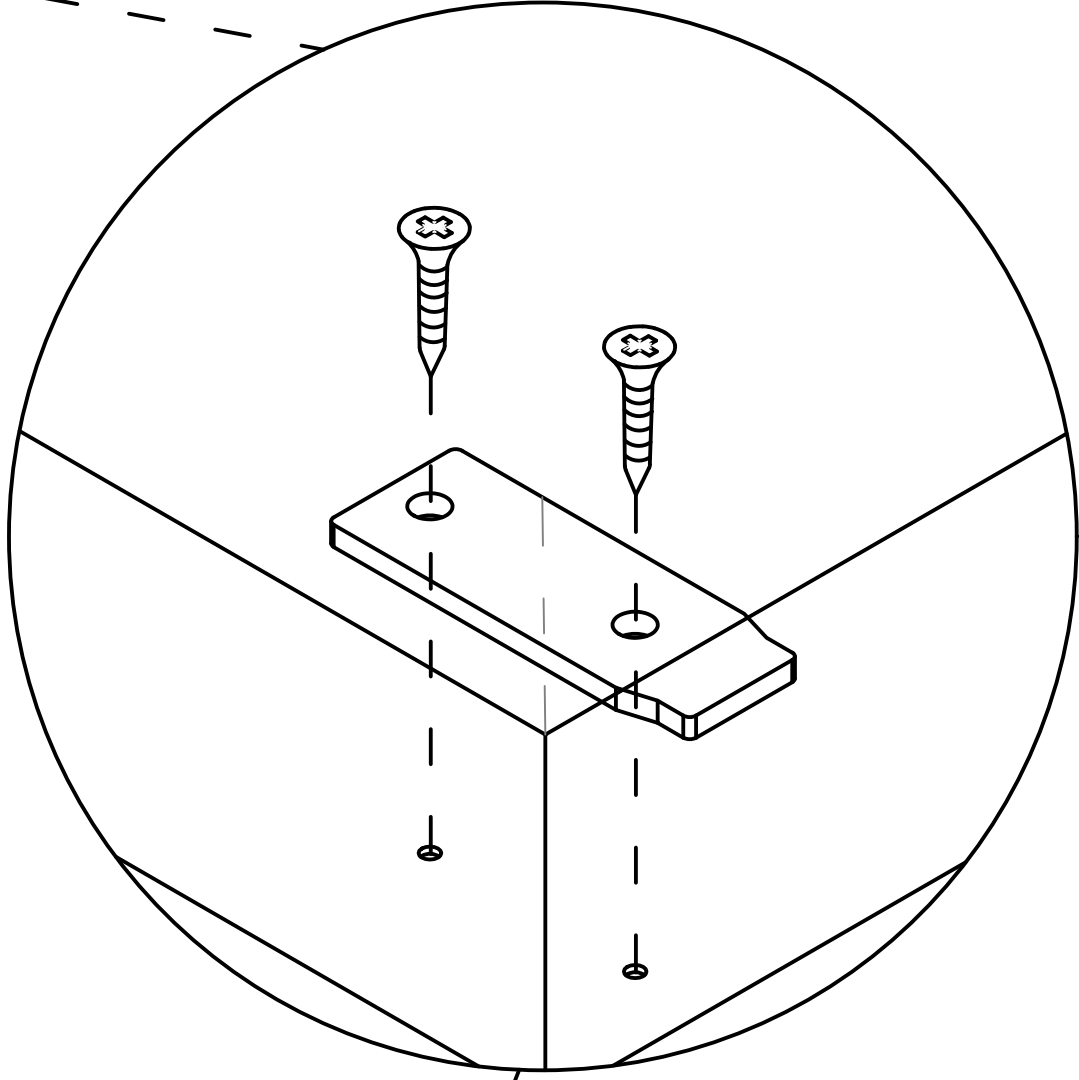
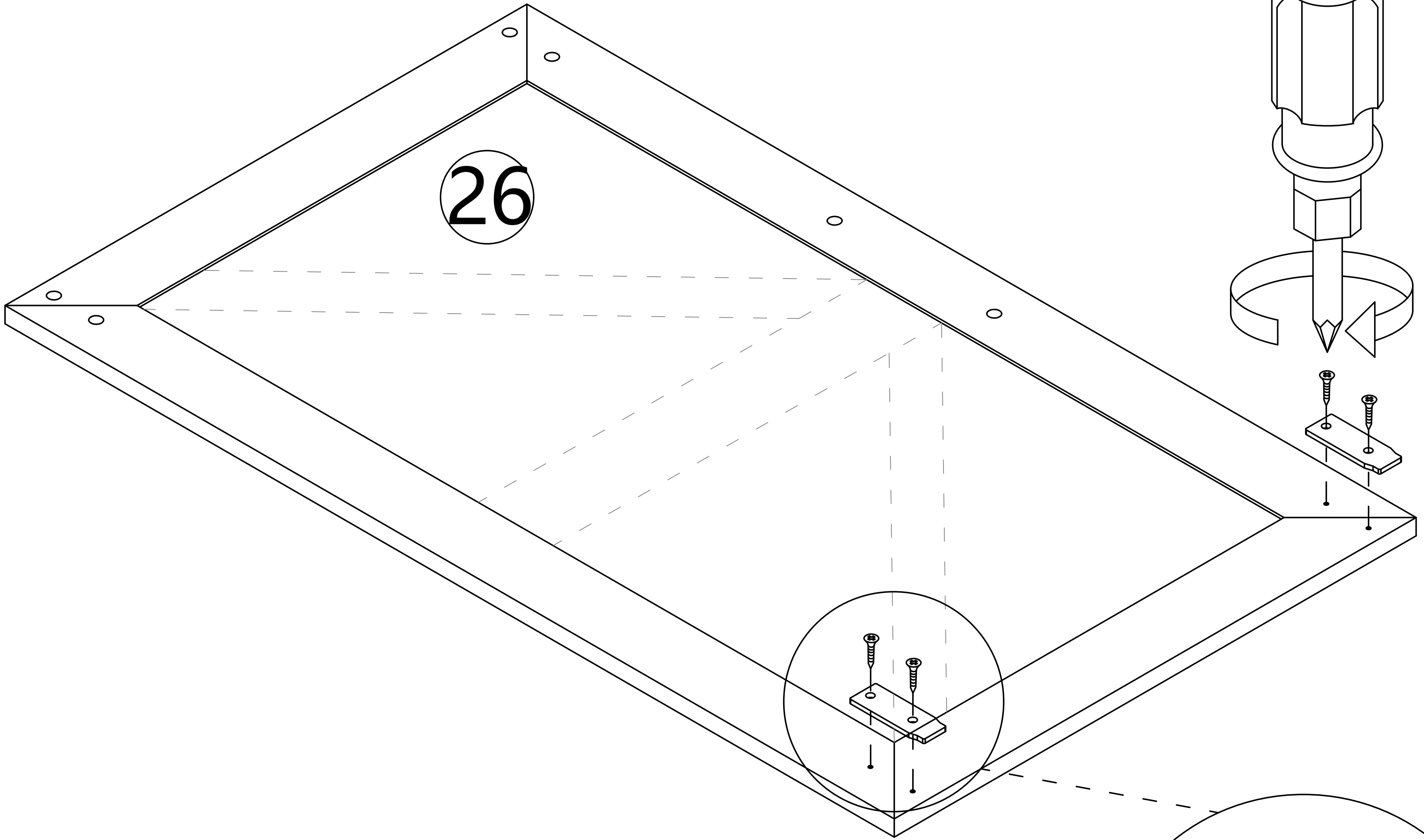
M



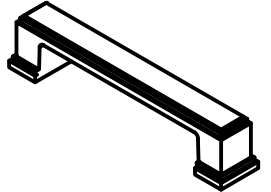
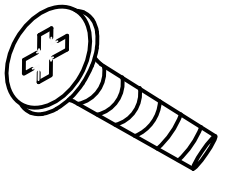
x4

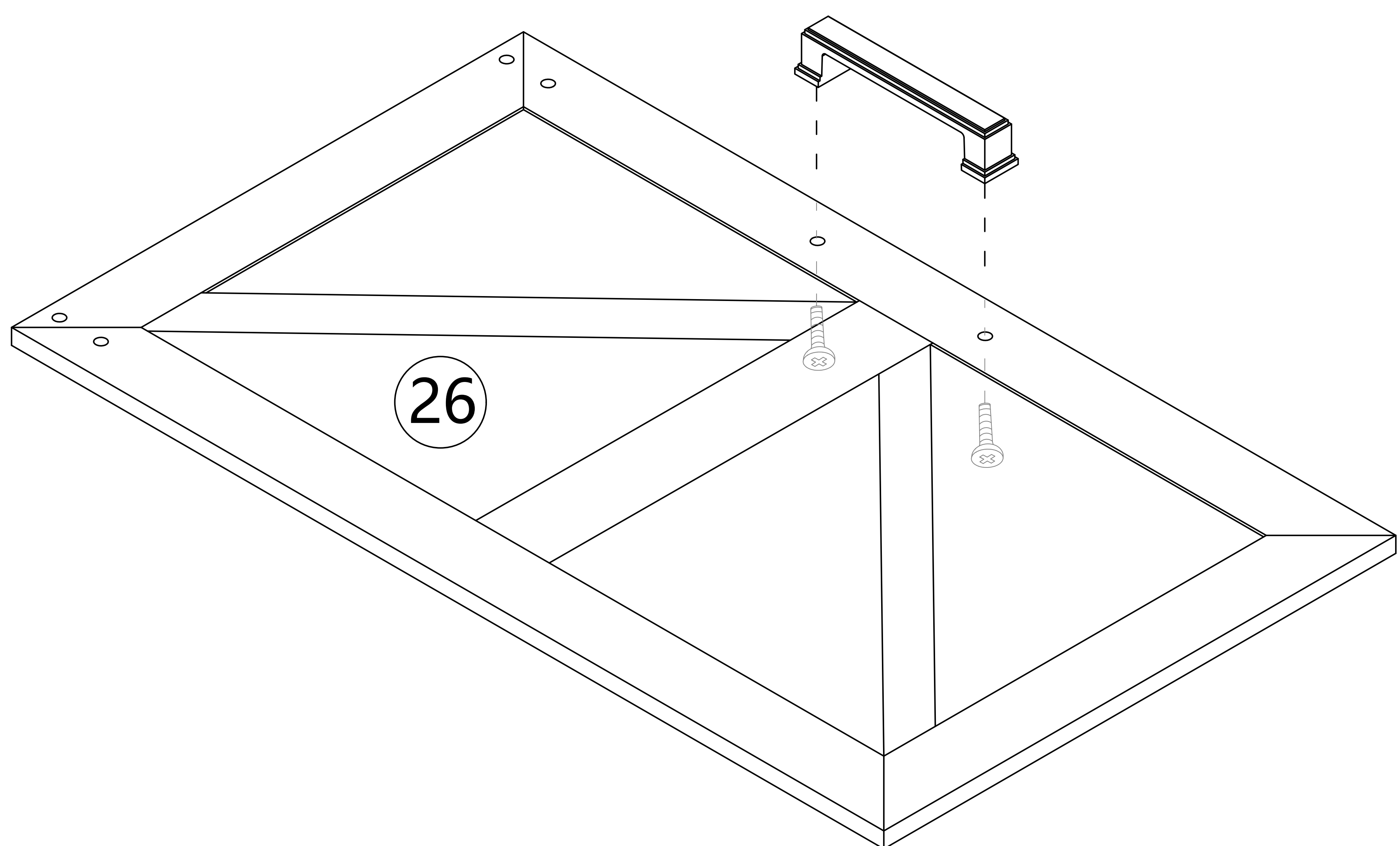
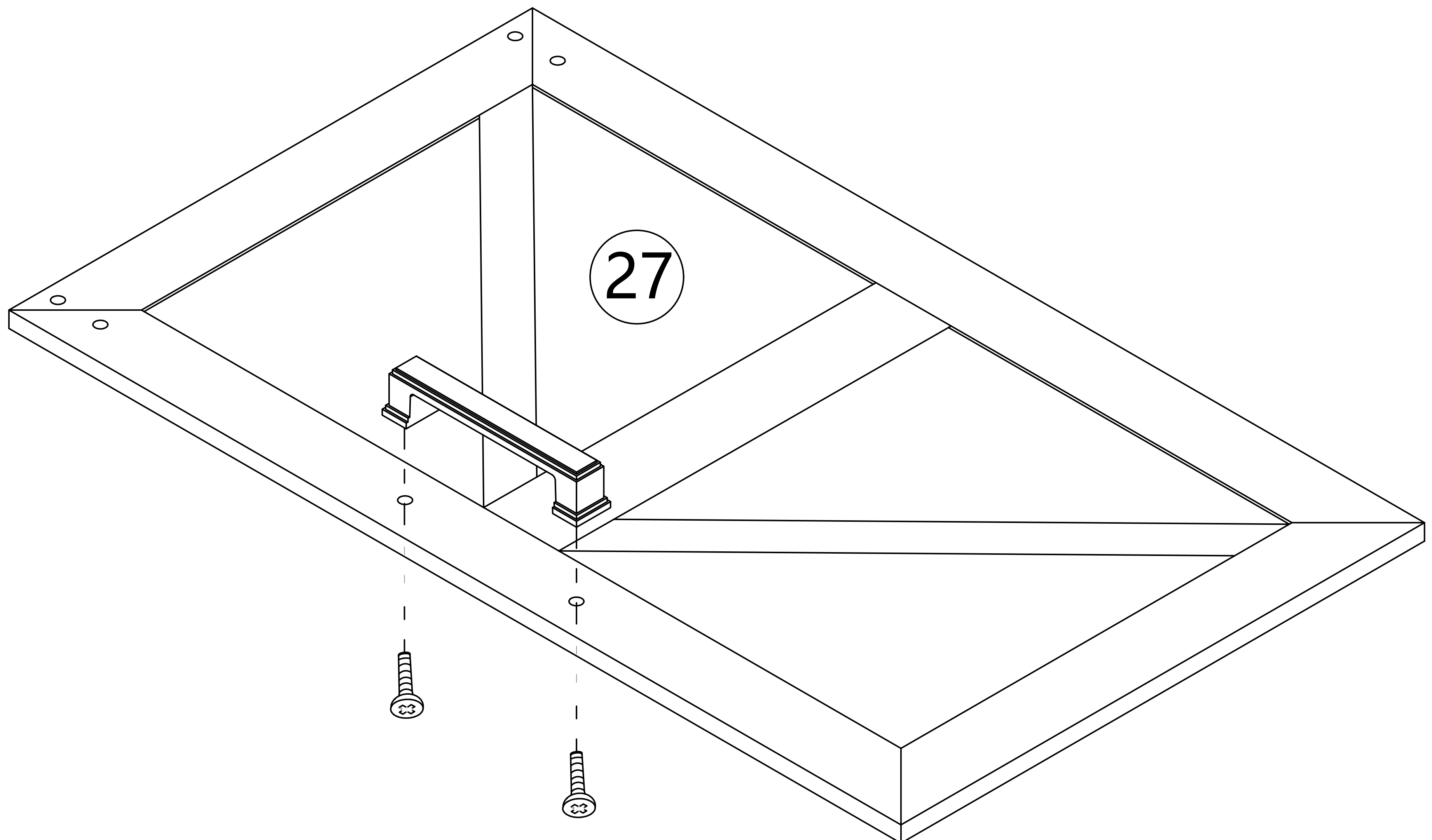


x8

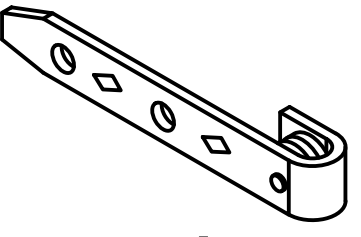


Step 50

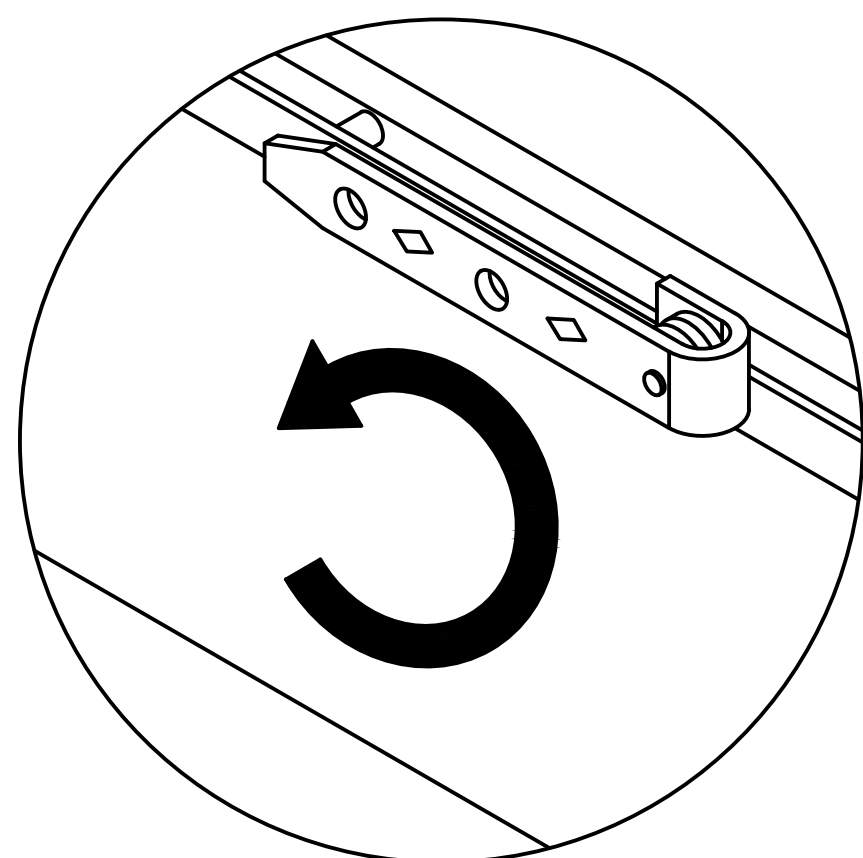
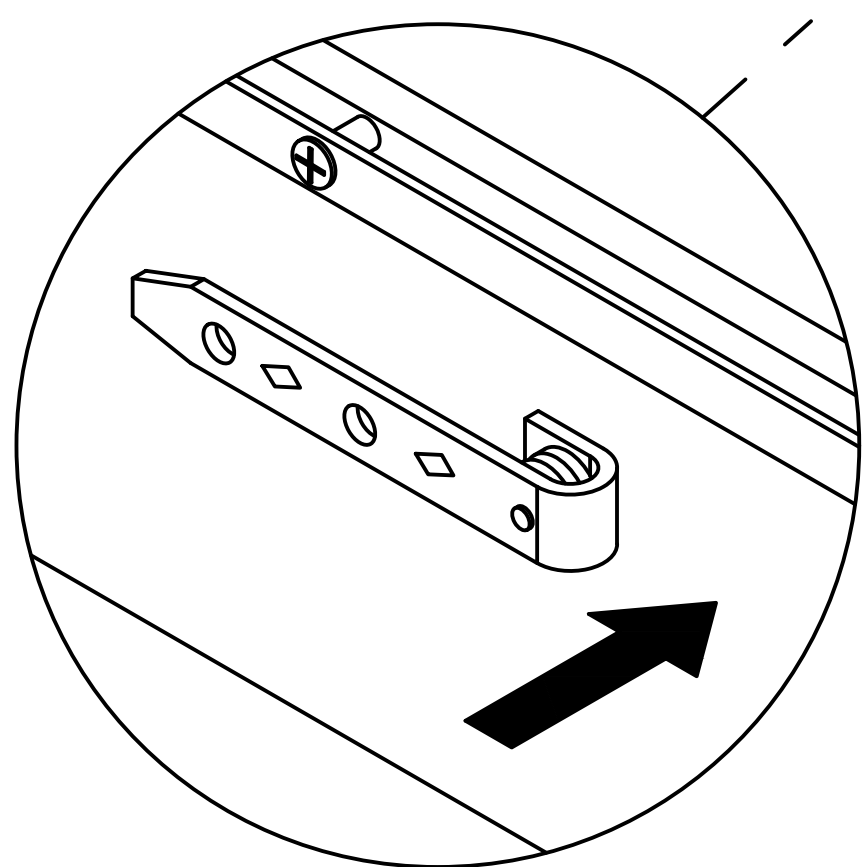
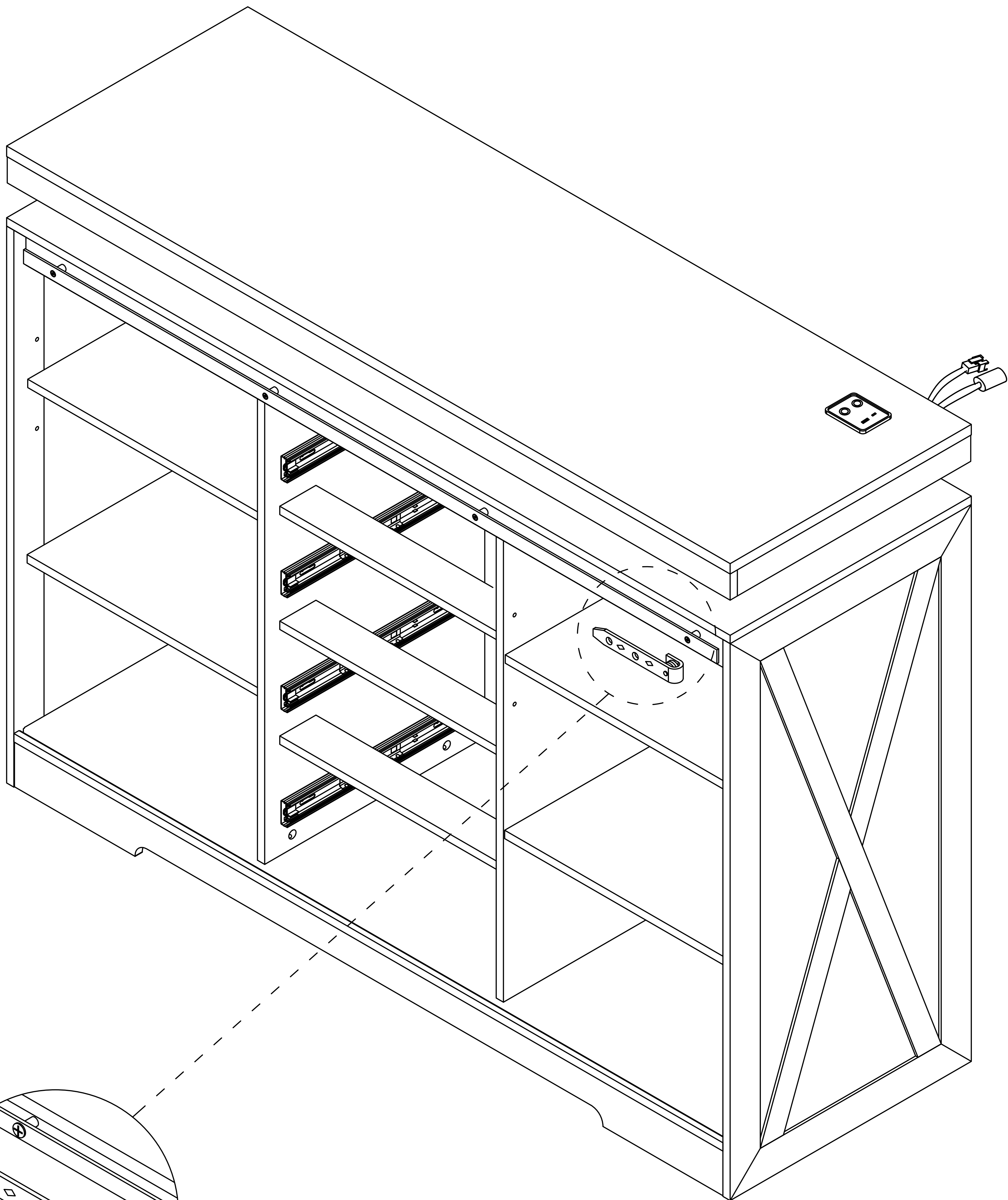
(N)  x2  x4



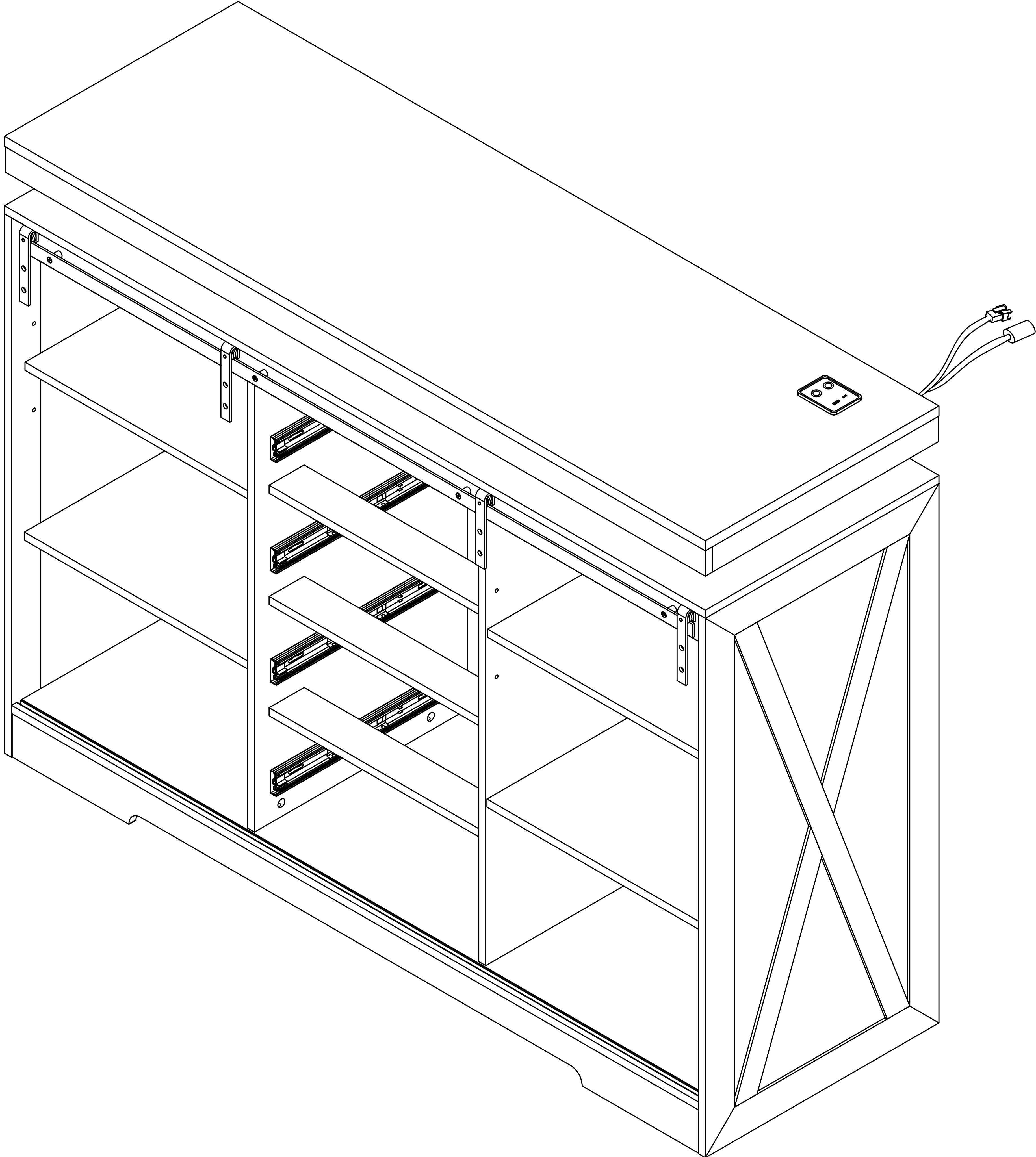
Step 51

0  x4

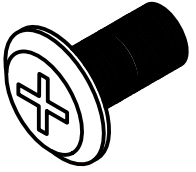
Hang the guide rail hook horizontally on the guide rail iron bar ,and then make it vertical

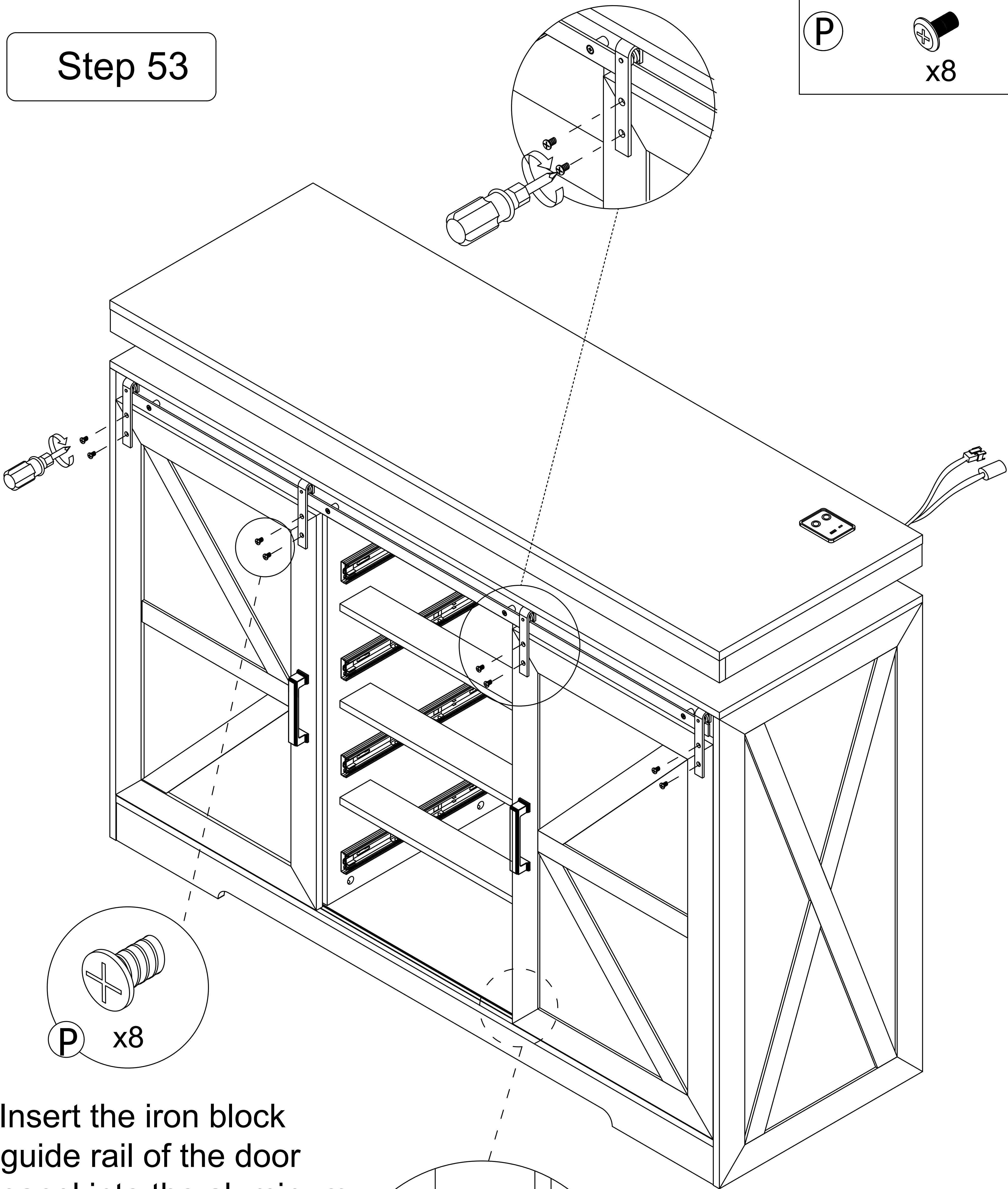


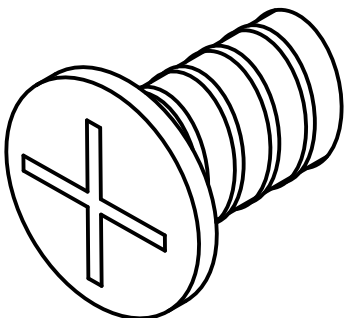
Step 52



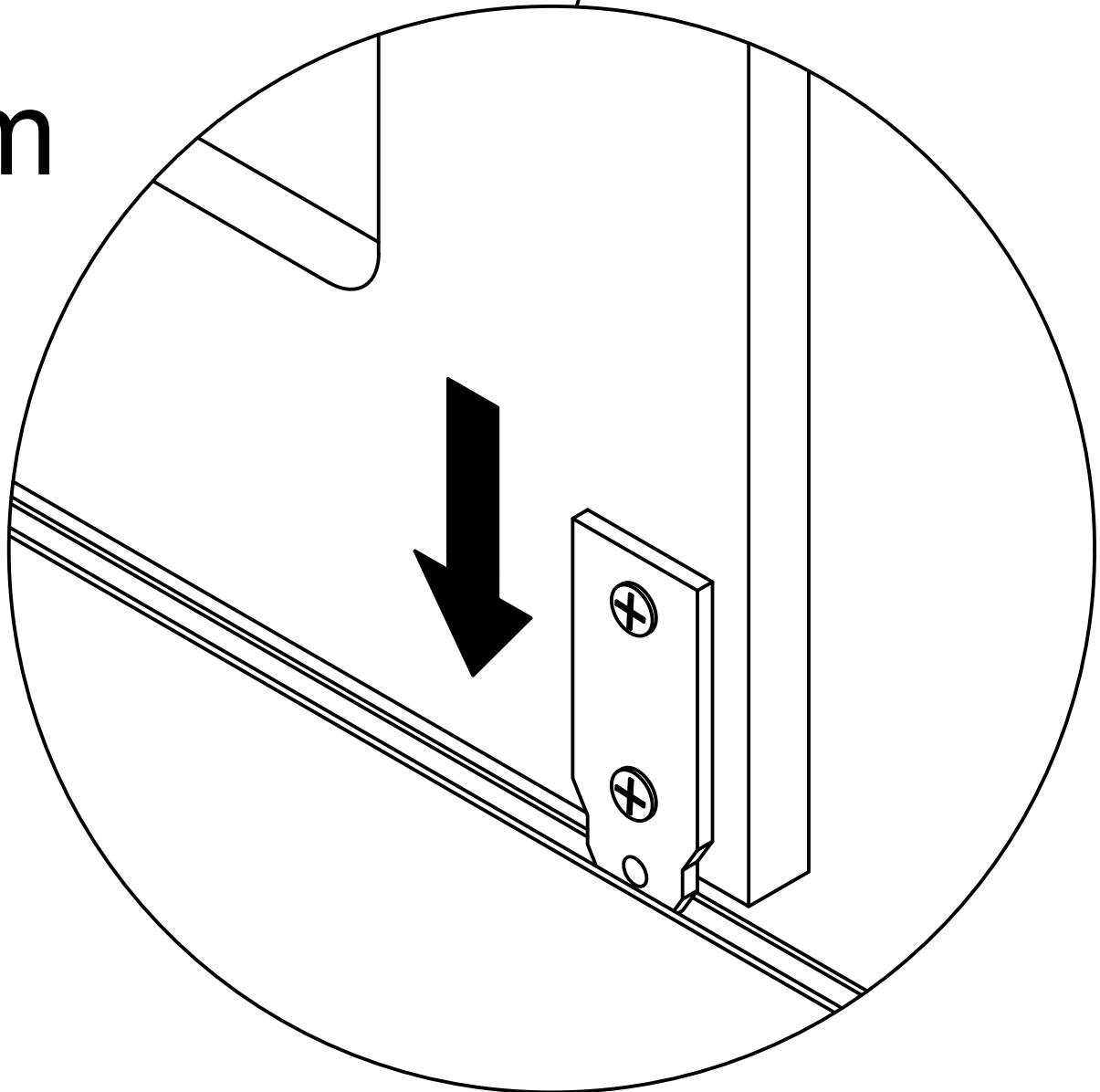
Step 53

P  x8

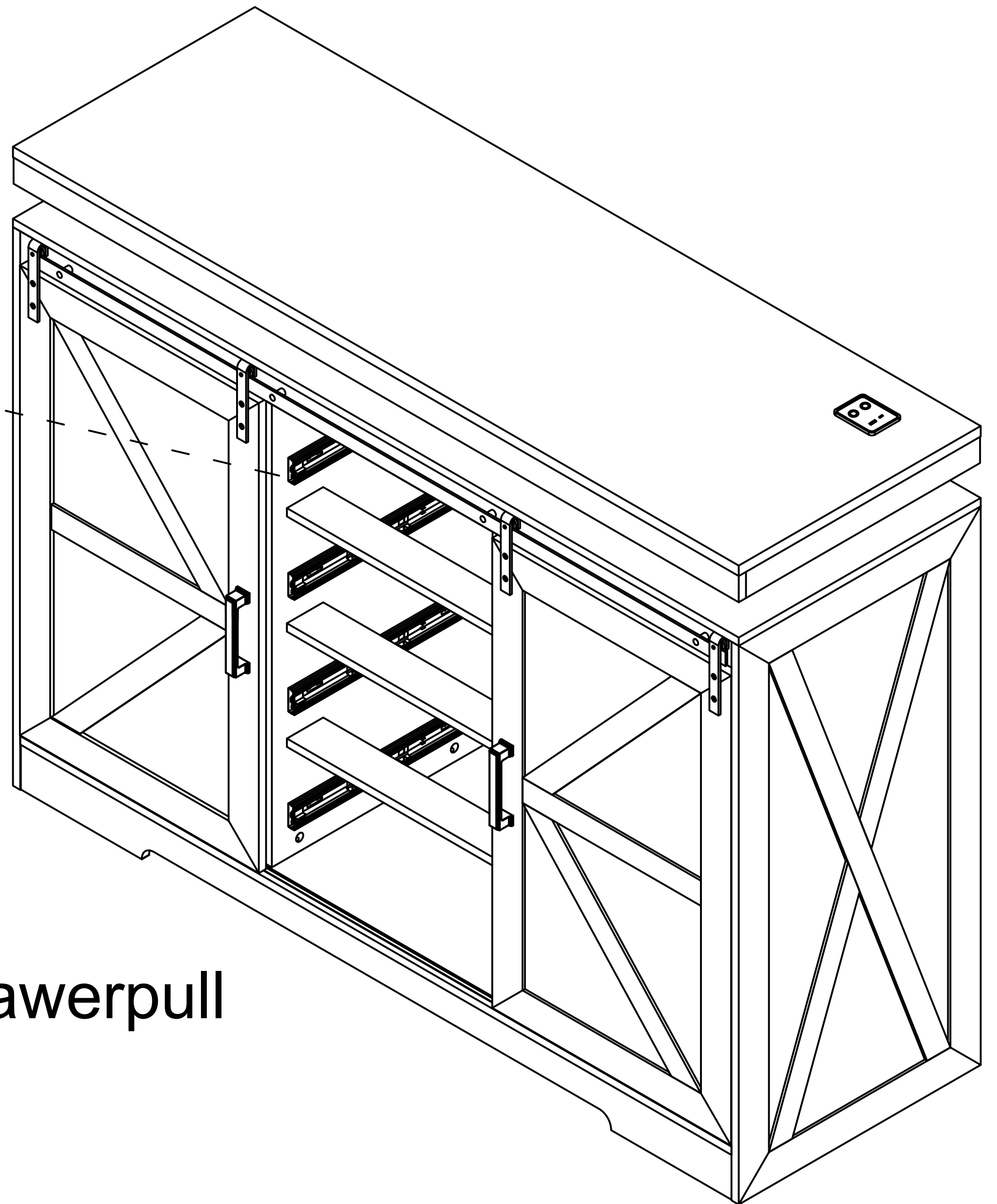
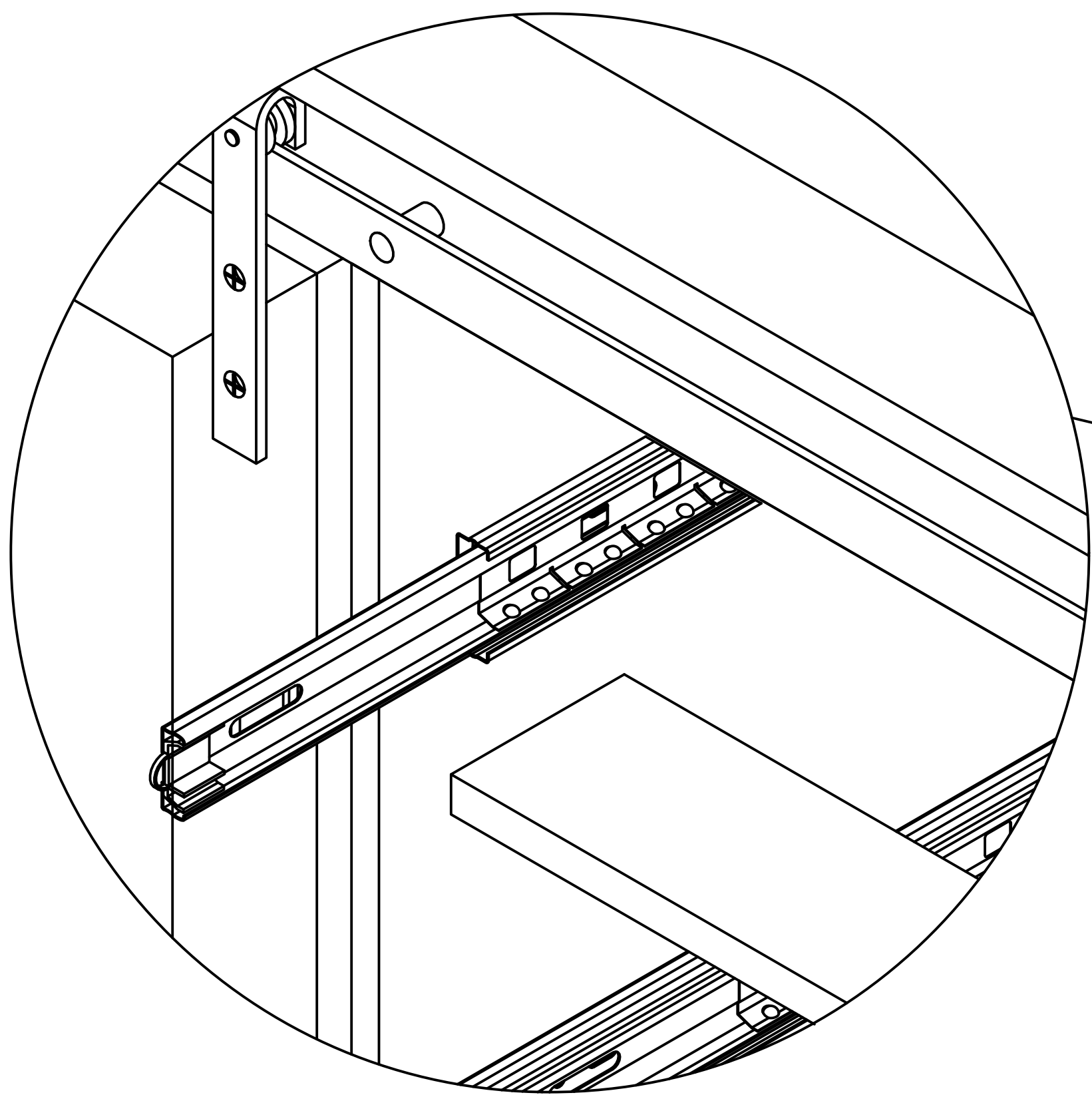


 P x8

Insert the iron block
guide rail of the door
panel into the aluminum
groove

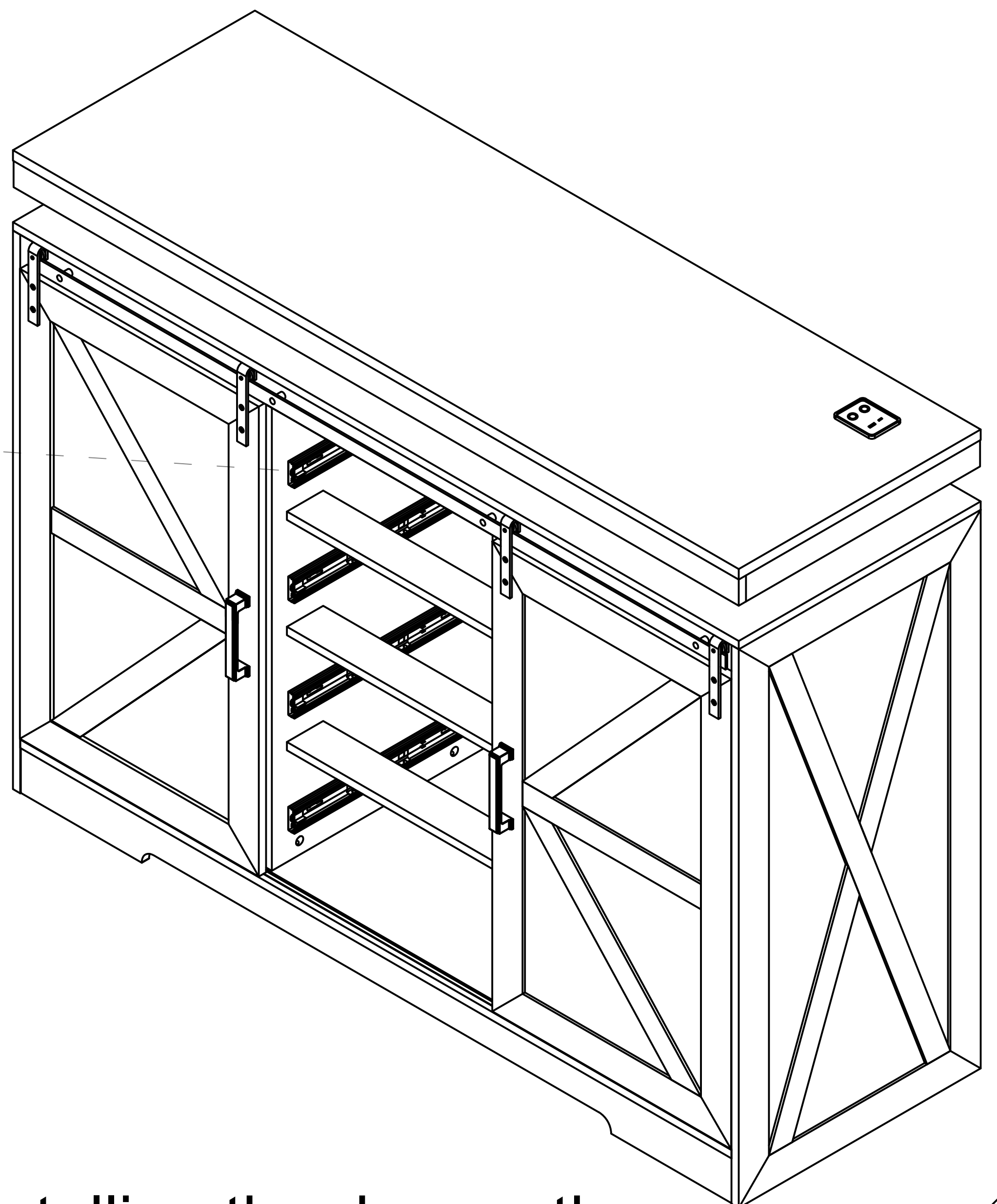
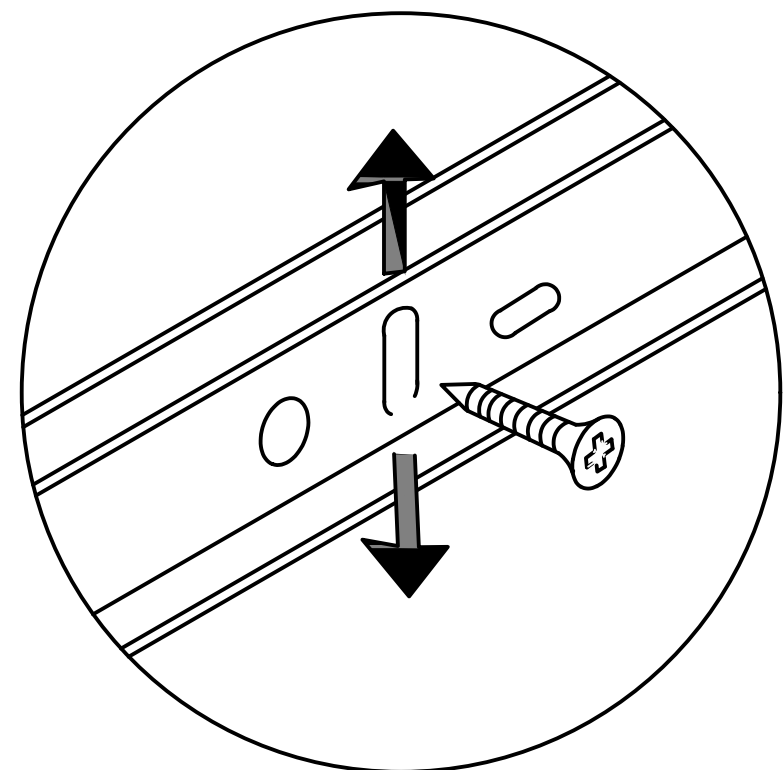
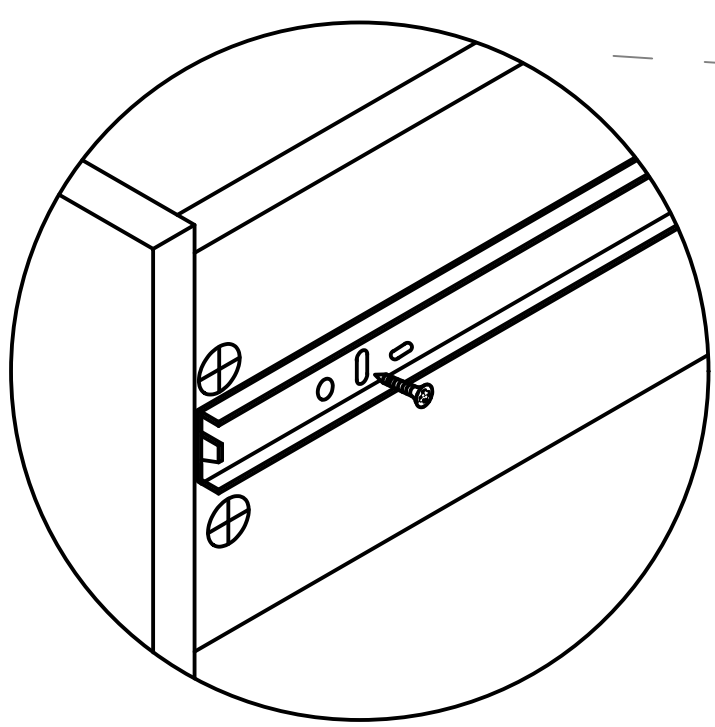


Step 54



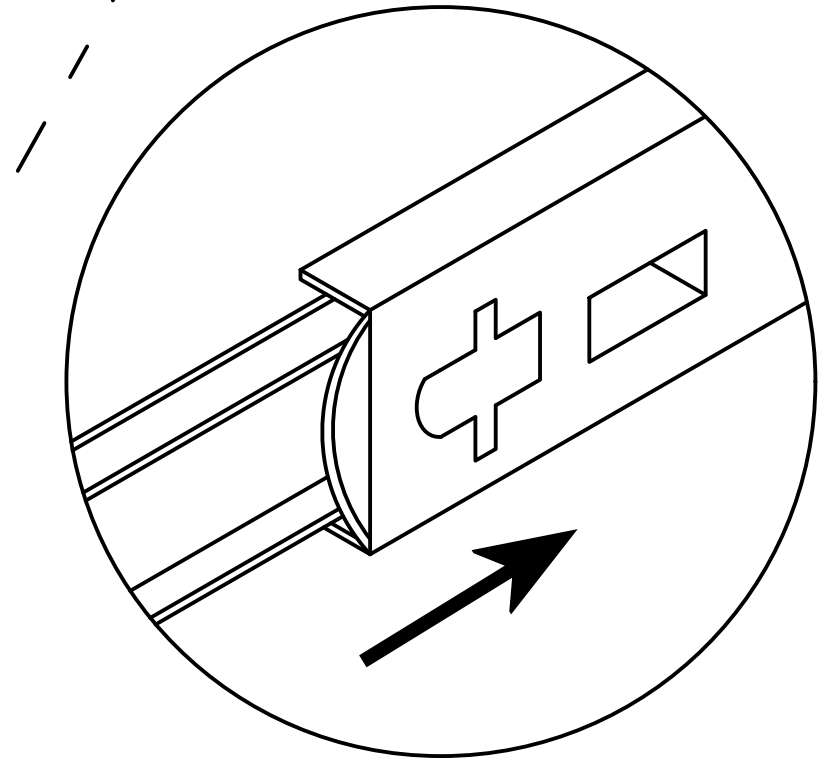
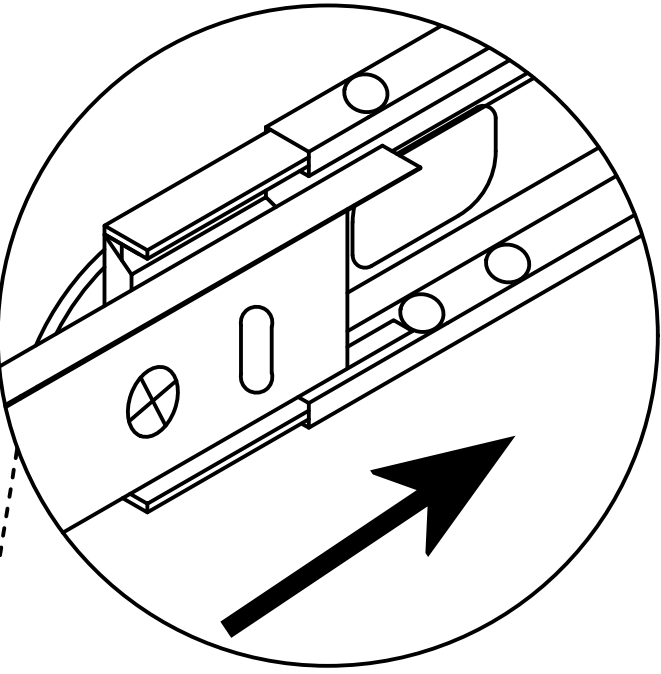
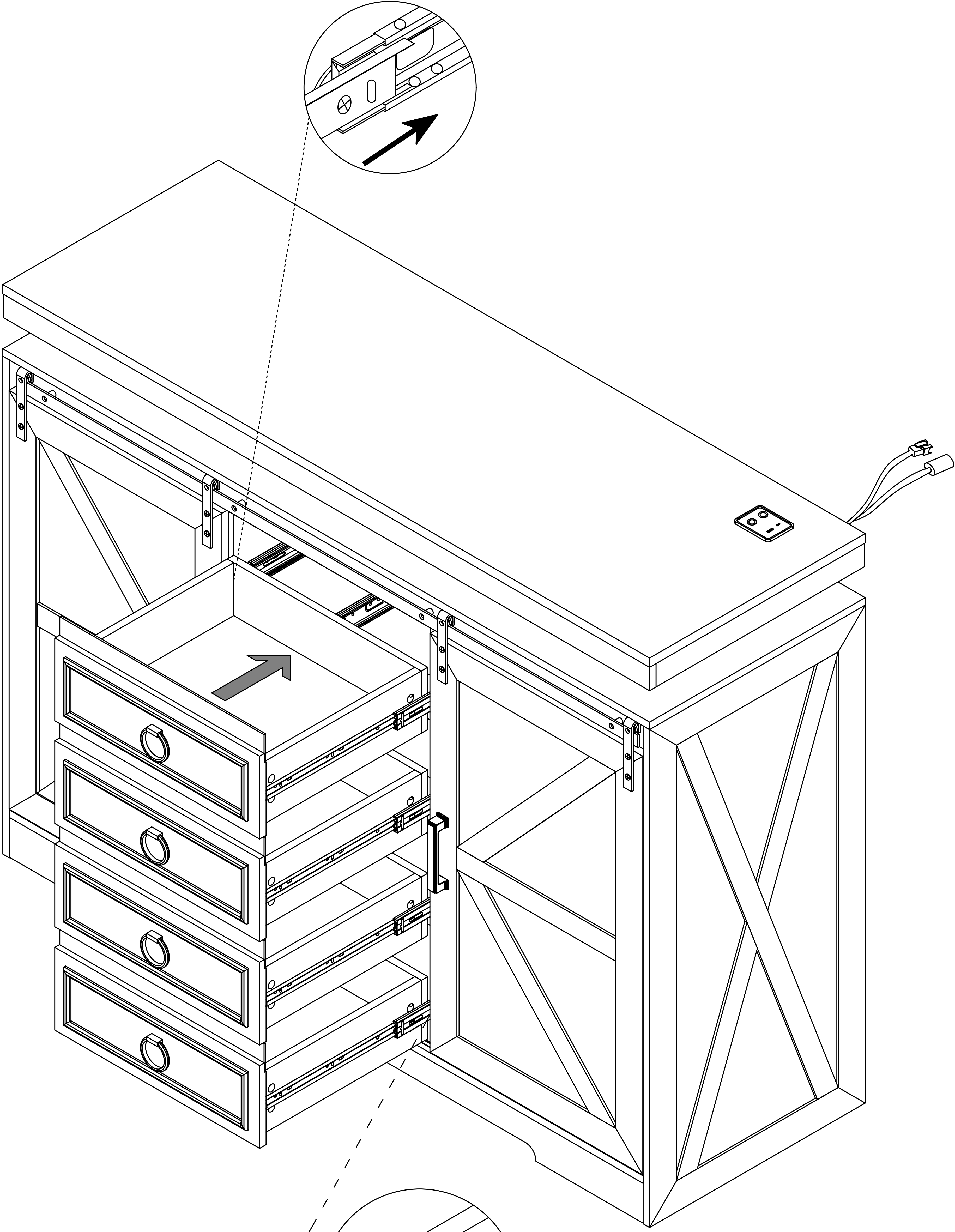
As shown, When installing the drawerpull
the guide rail out first,
Slide beads are also pulled out.

Step 55

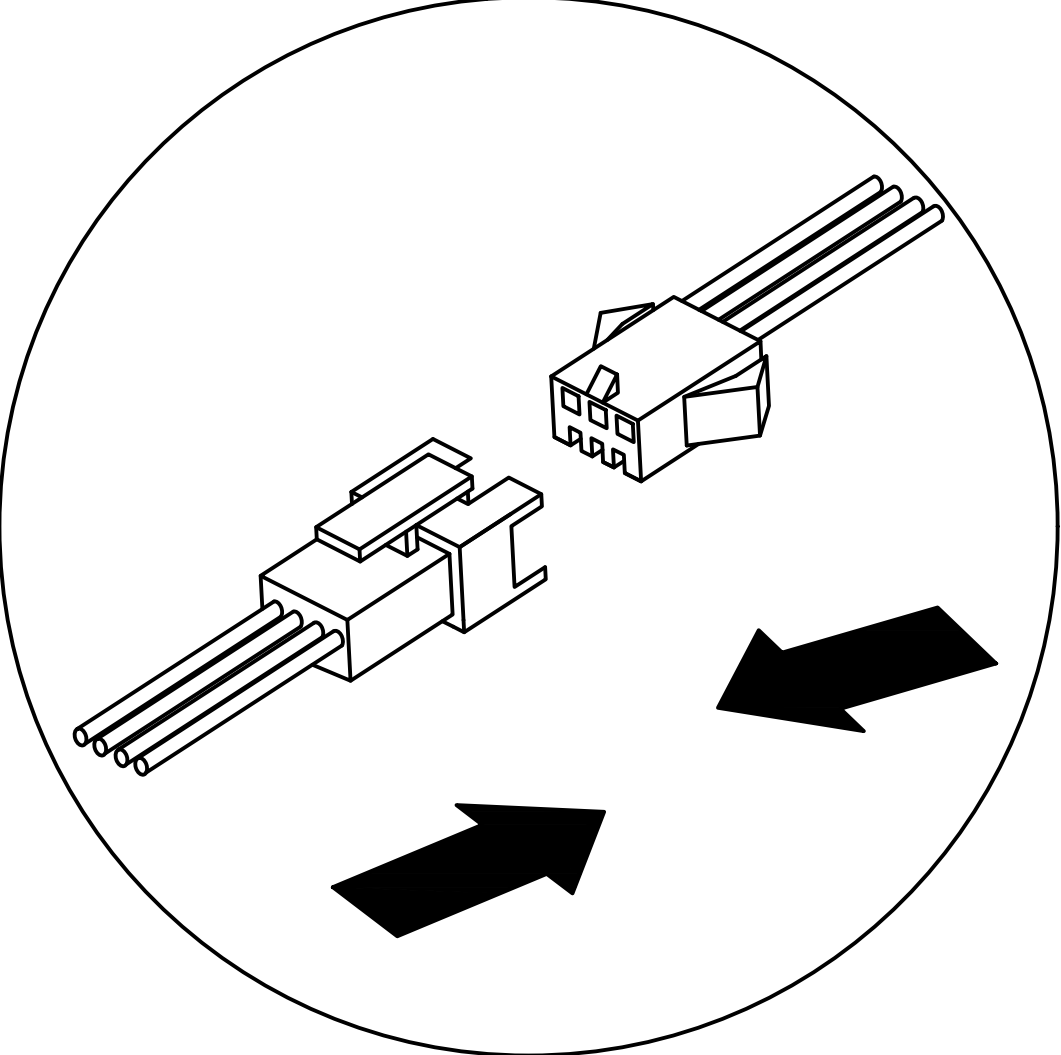
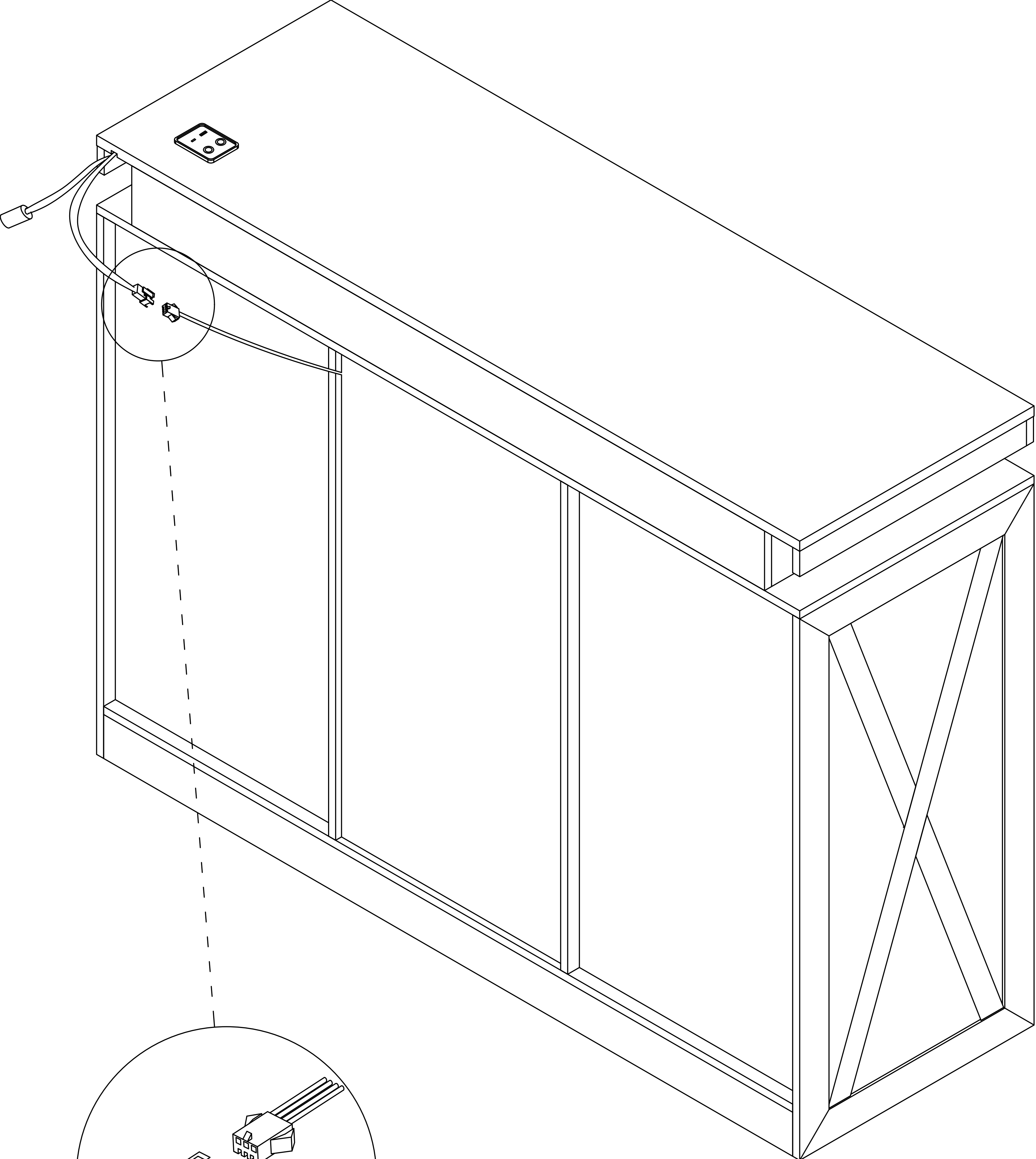


If a large gap is found after installing the drawer the
slide rail can be moved up and down to adjust the gap.

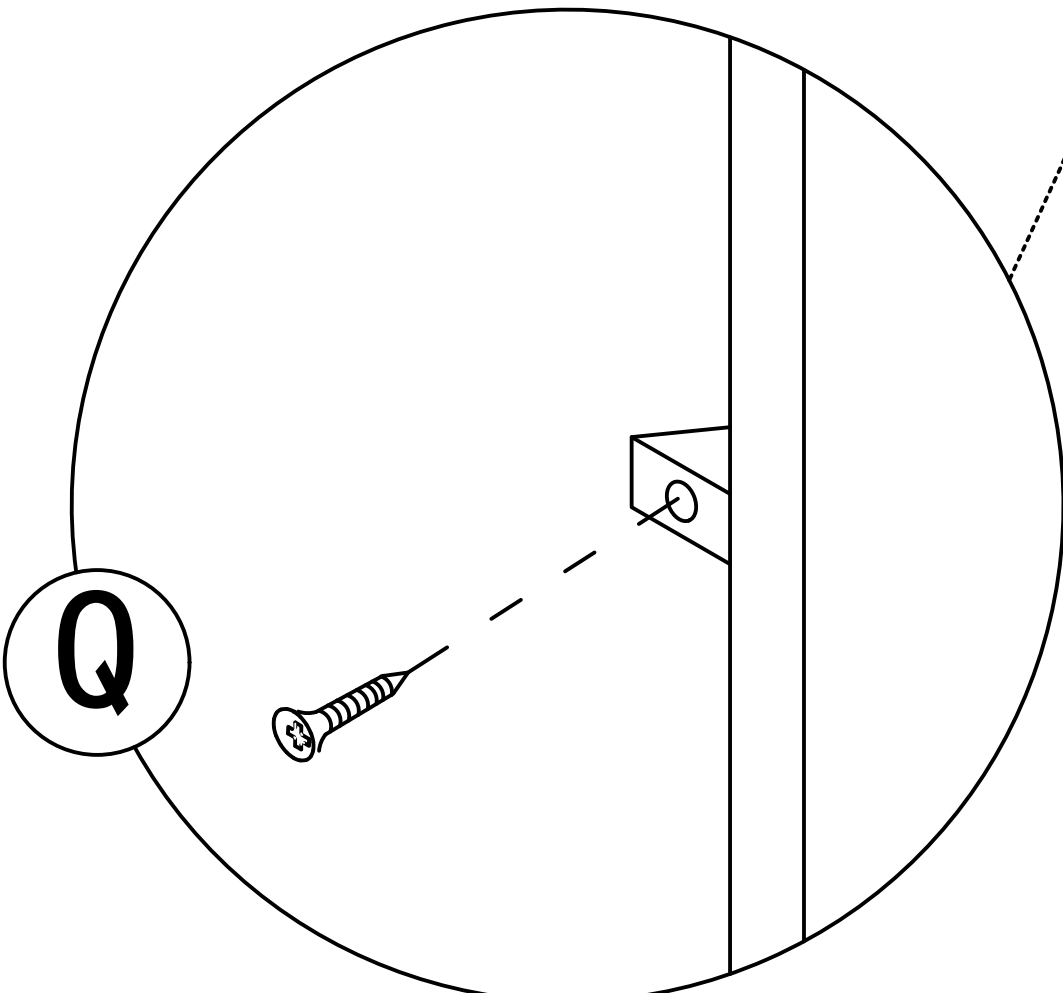
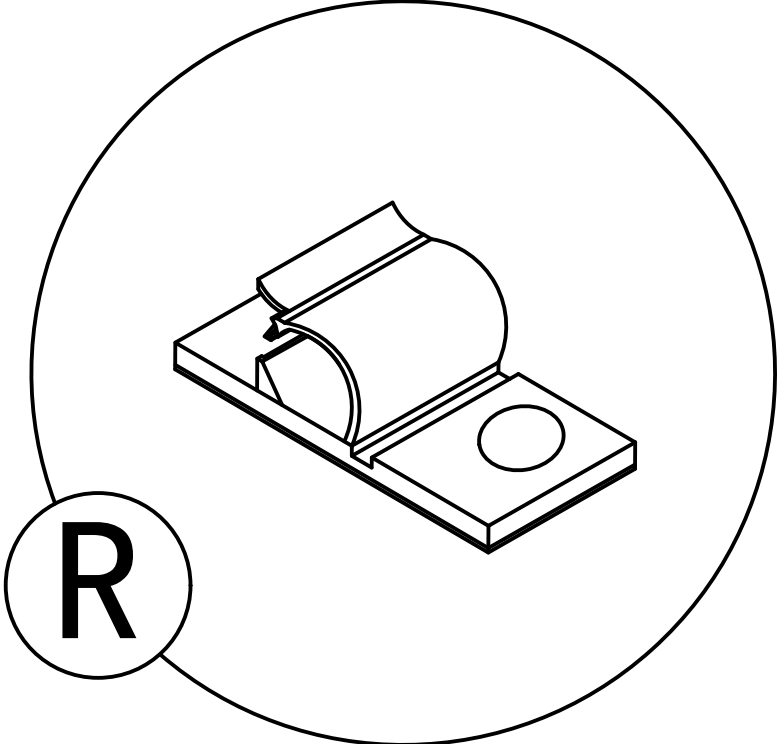
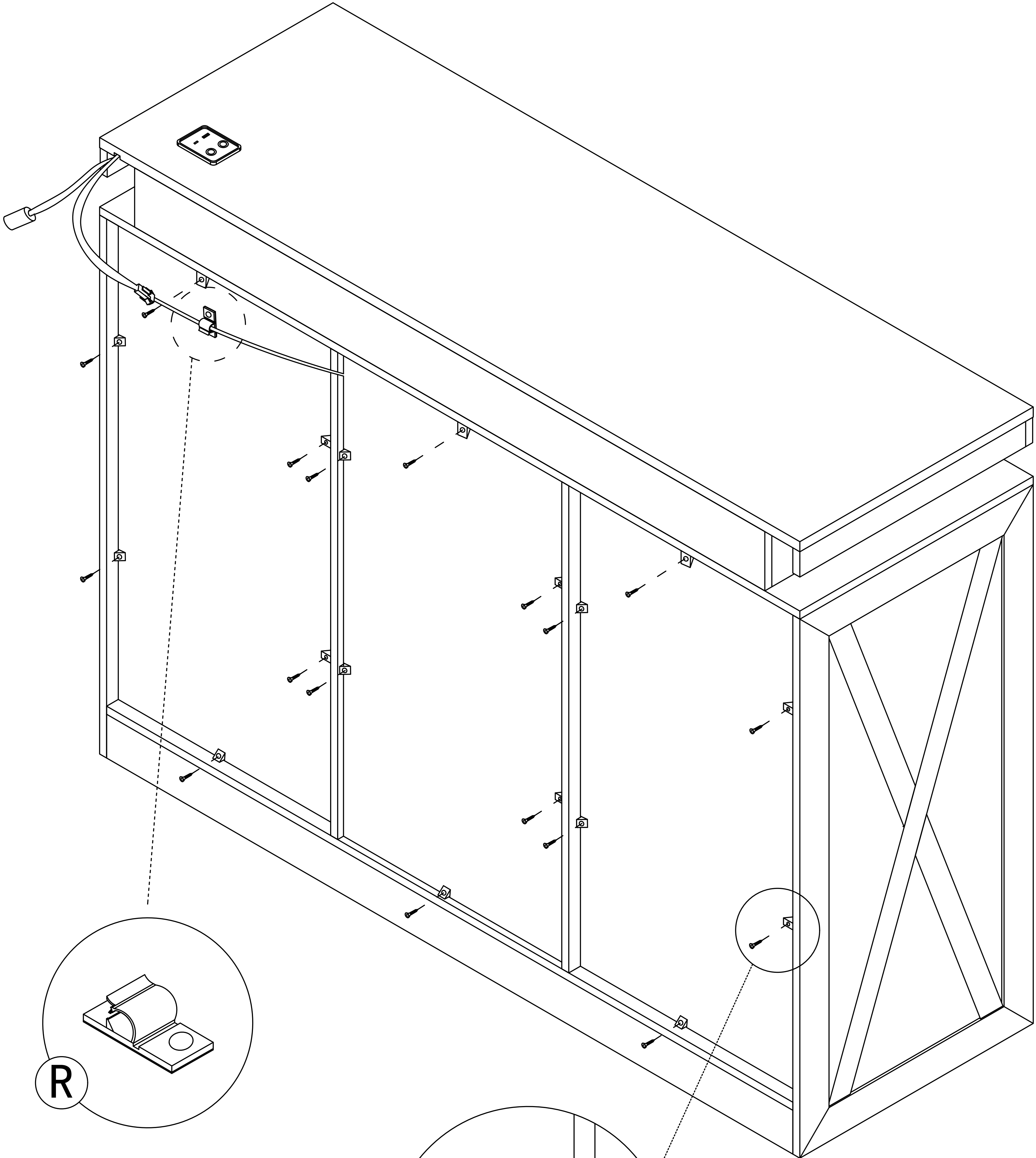
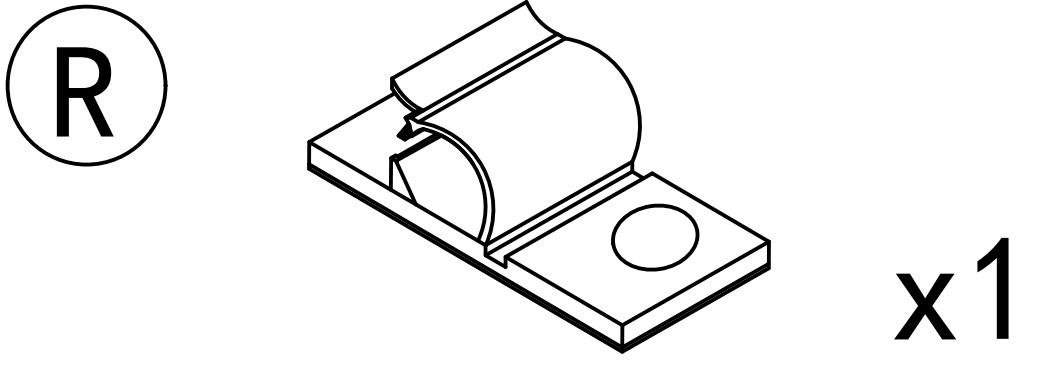
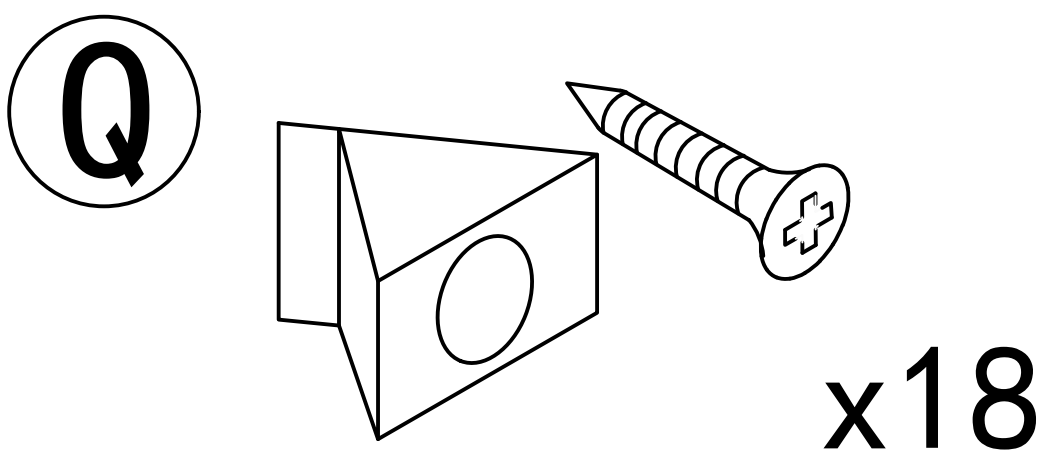
Step 56



Step 57

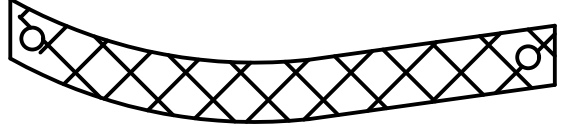


Step 58

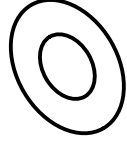
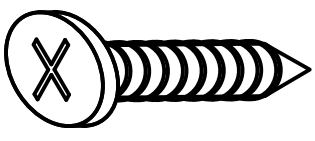


Step 59

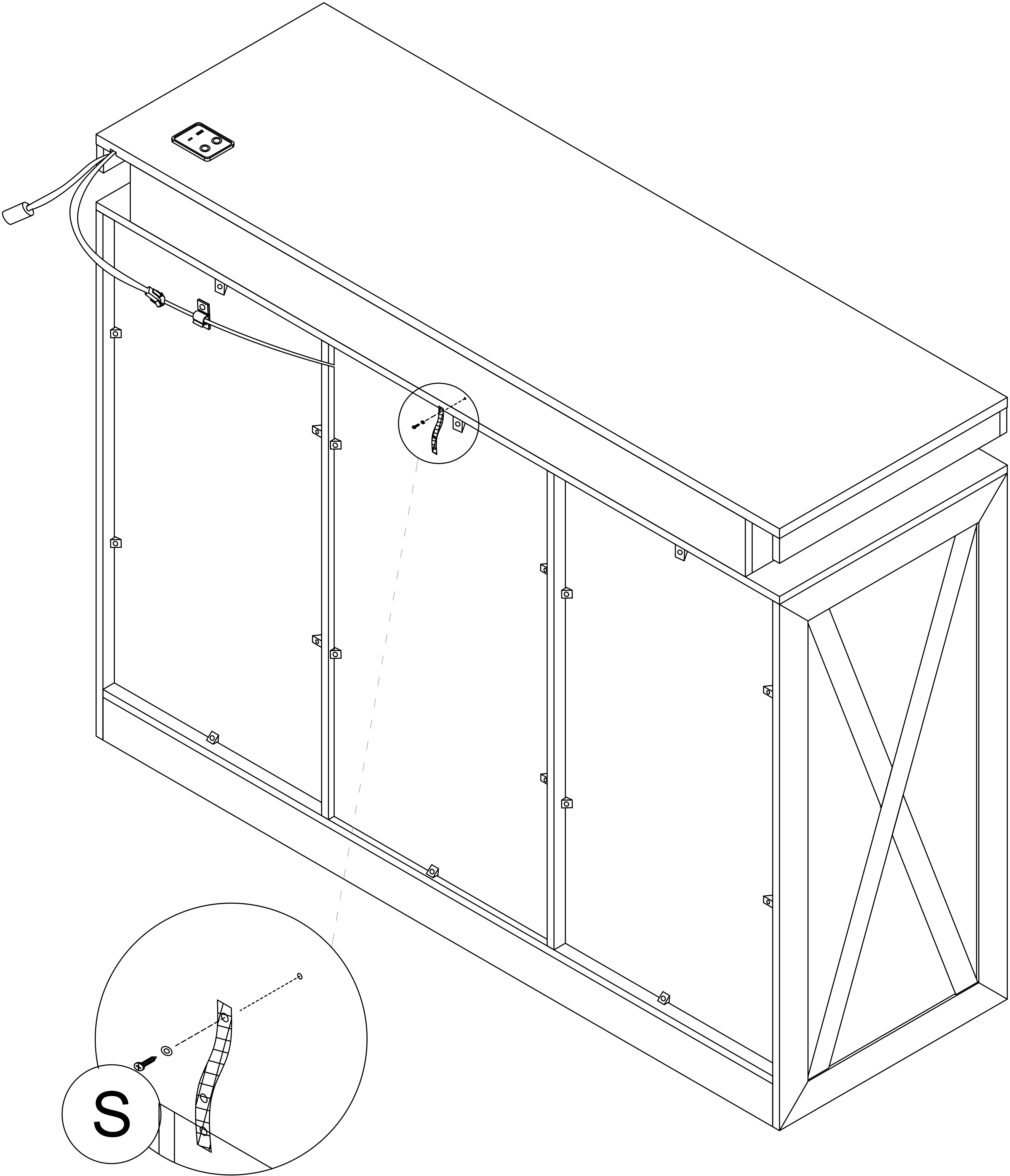
S



x1

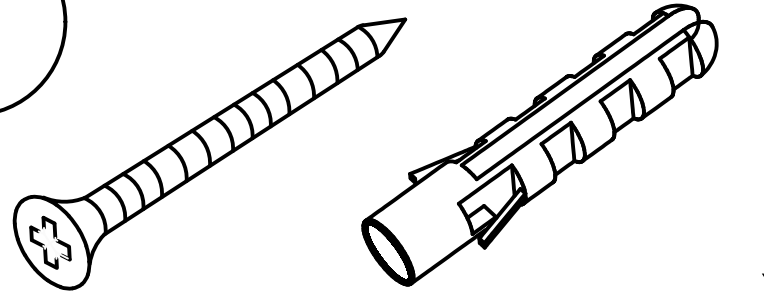


x1



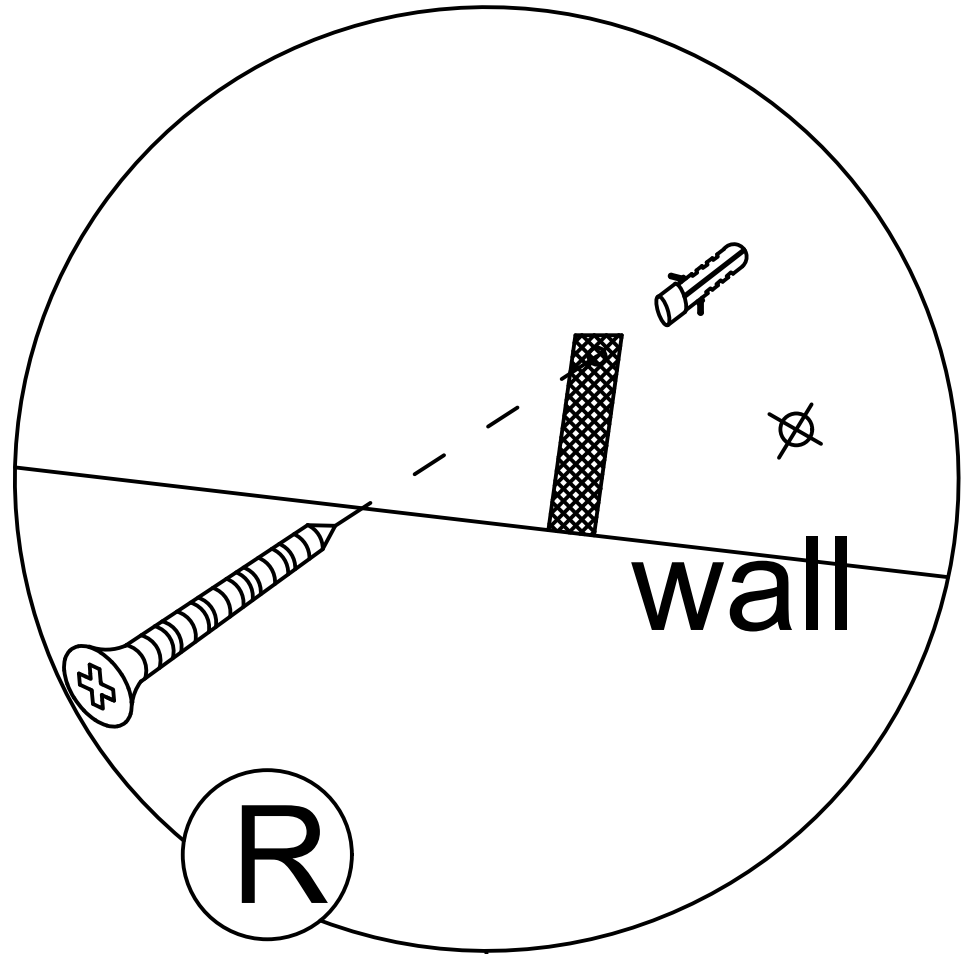
Step 60

T

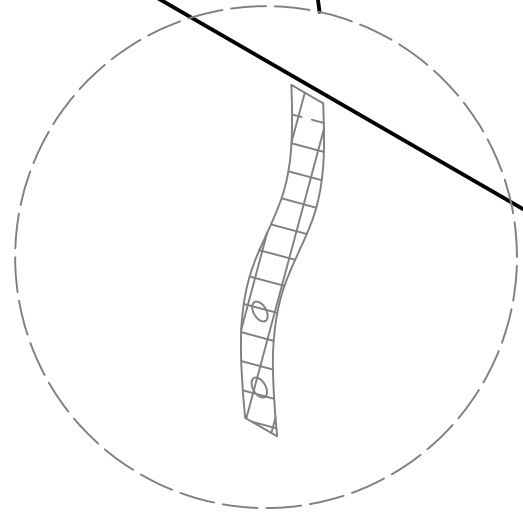


x 1

Wall



Wall



Step61

