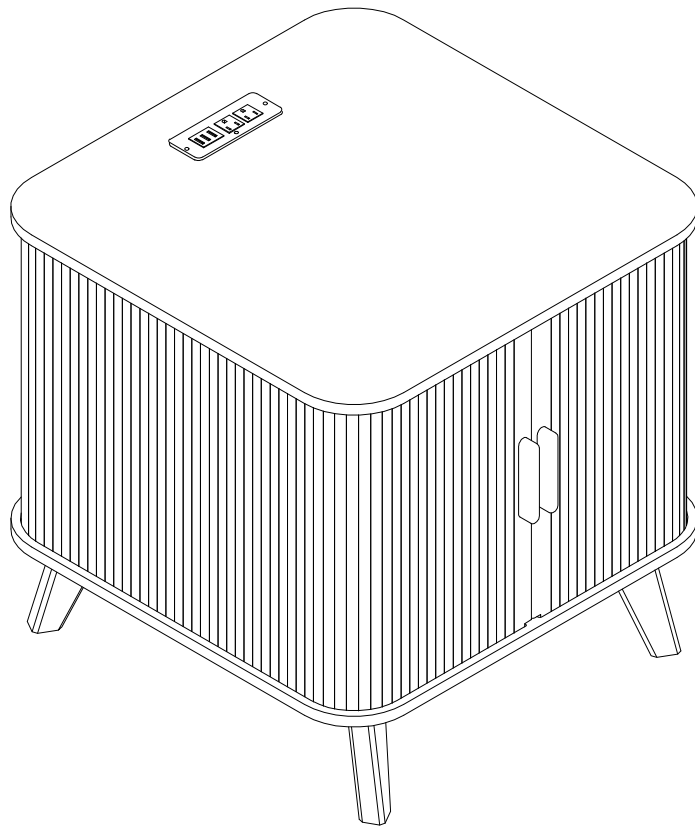


Assembly Instructions

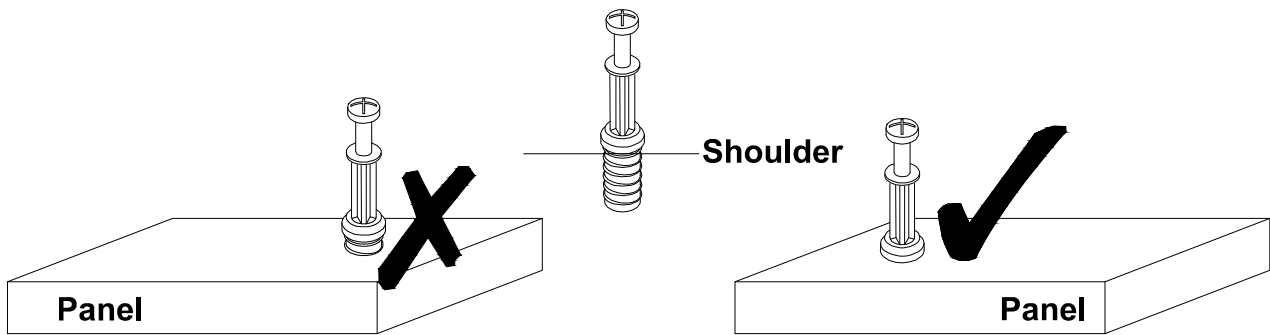


Before Assembly

Tips Before Your Start:

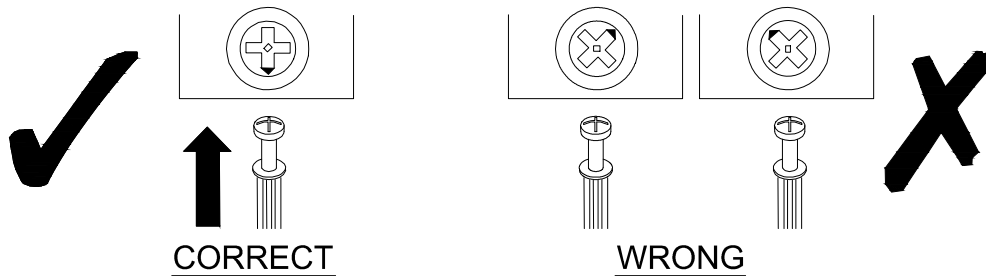
- Remove all wrapping material, including staples & packing straps before you start to assemble.
- DO NOT tighten all screws and bolts until the assembly is completely assembled.
- Keep all hardware parts out of reach of children.

QUICKFIT



Tighten quickfit until shoulder is flush with panel. Do not overtighten or undertighten.

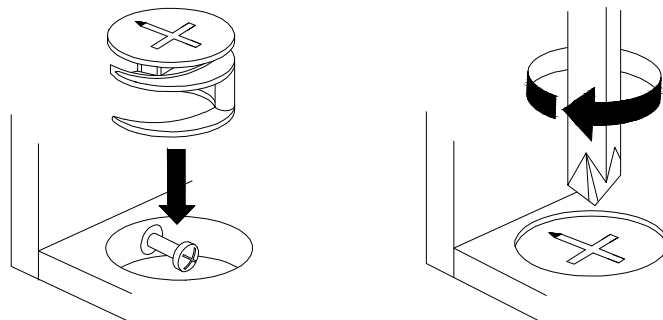
CAM LOCK



When fitting a cam lock, ensure the starting position is correct before inserting the connecting QUI CKFIT

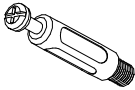


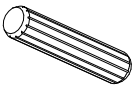





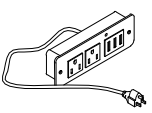
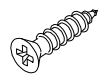
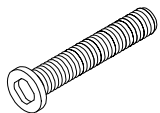
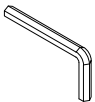
Quickfit head should be in the centre of the cam lock when the two panels are joined.

Cam lock should be inserted before quickfit.

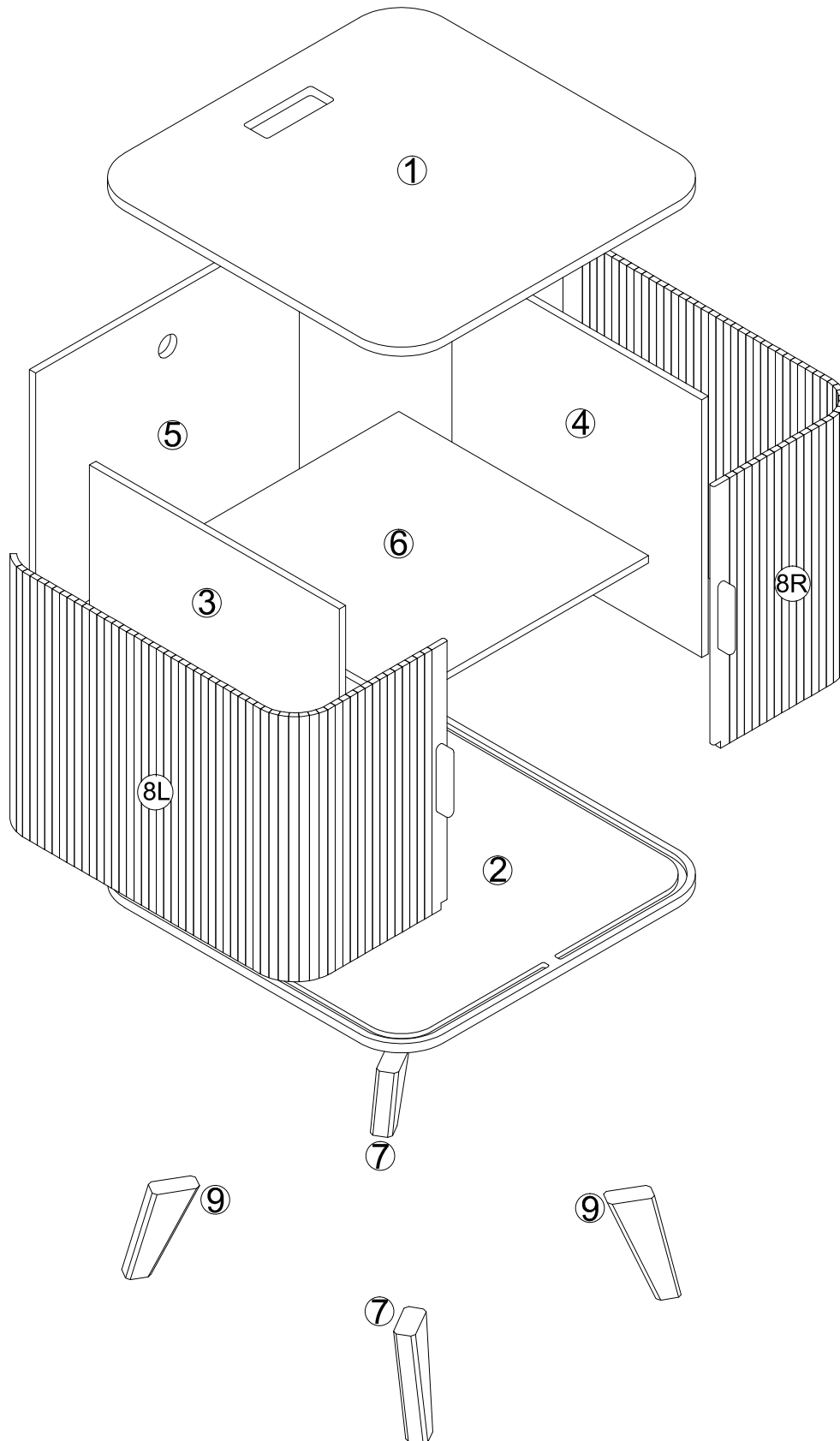


Turn cam lock clockwise to tighten.

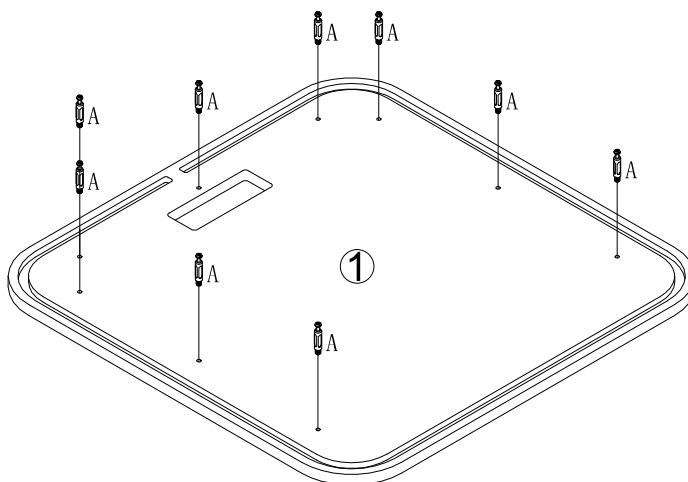
Part List

<p>No. A Quantity:9 Pcs Cam Lock Dowel 8*28mm</p> 	<p>No. B Quantity:9 Pcs Cam Ø15</p> 	<p>No. C Quantity:9 Pcs Sticker Ø20</p> 	<p>No. D Quantity:6 Pcs Dowel 8*30mm</p> 
<p>No. E Quantity:2 Pcs Handle 110*20mm</p> 	<p>No. F Quantity:4 Pcs Screw M4*14mm</p> 	<p>No. G Quantity:19 Pcs Screw M6*40mm</p> 	<p>No. H Quantity:1 Pcs Allen Key 4#</p> 
<p>No. I Quantity:4 Pcs Foot Pad Ø20</p> 	<p>No. J Quantity:1 Sets Power strip</p> 	<p>No. K Quantity:2 Sets Screw M3.5*14mm</p> 	<p>No. L Quantity:8 Pcs Screw M8*30mm</p> 
<p>No. M Quantity:1 Pcs Allen Key 5#</p> 			

Product structure



STEP 1

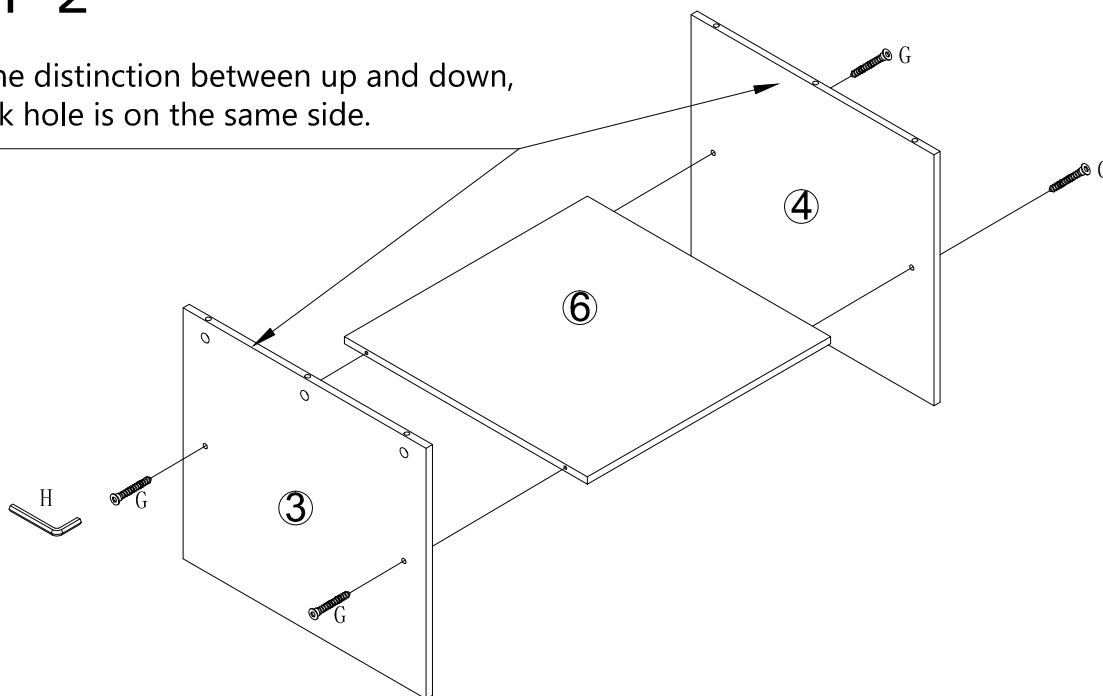


No. A
Quantity: 9 Pcs
8*28mm



STEP 2

Note the distinction between up and down,
the lock hole is on the same side.



No. G
Quantity: 4 Pcs
M6*40mm

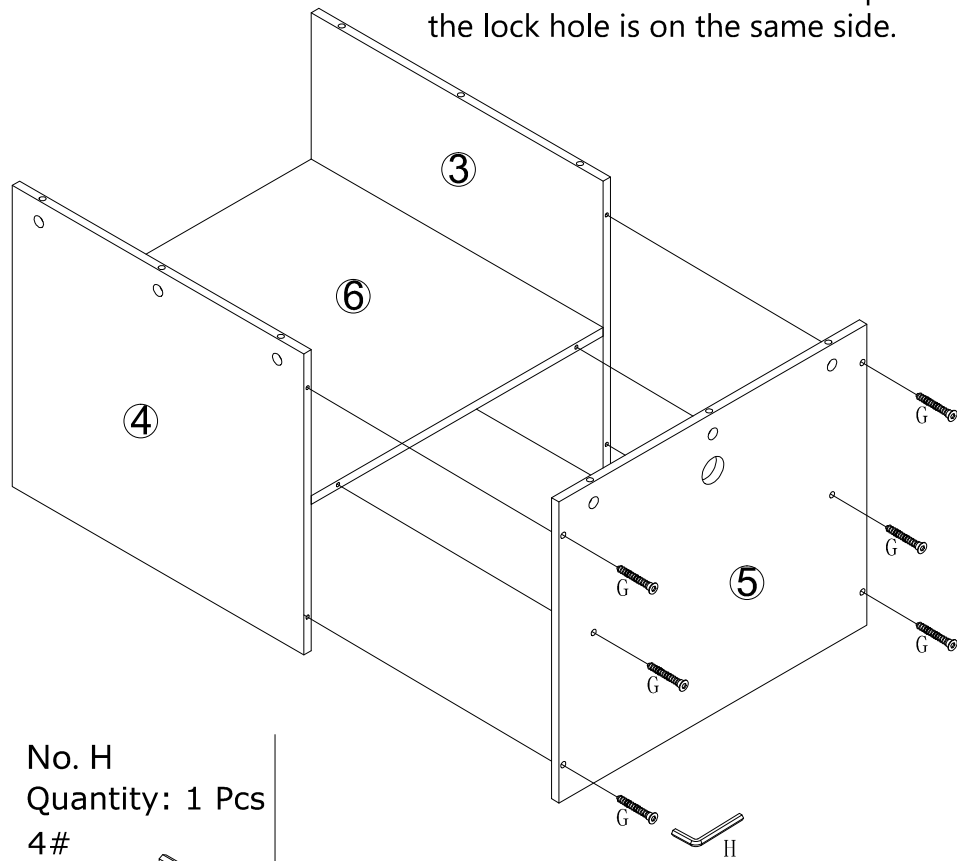


No. H
Quantity: 1 Pcs
4#



STEP 3

Note the distinction between up and down, the lock hole is on the same side.



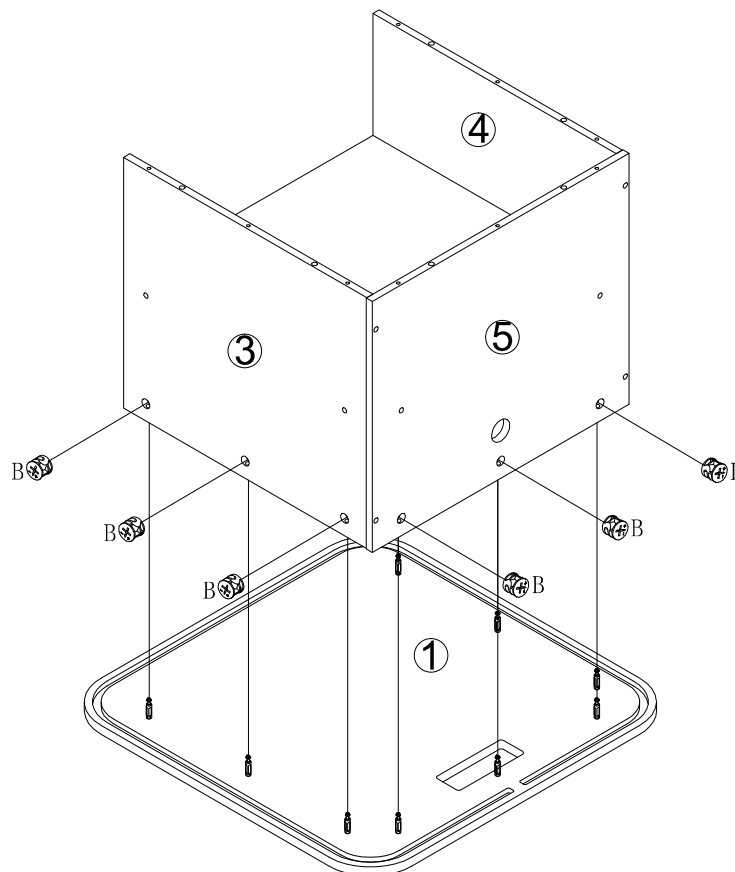
No. G
Quantity: 6 Pcs
M6*40mm



No. H
Quantity: 1 Pcs
4#



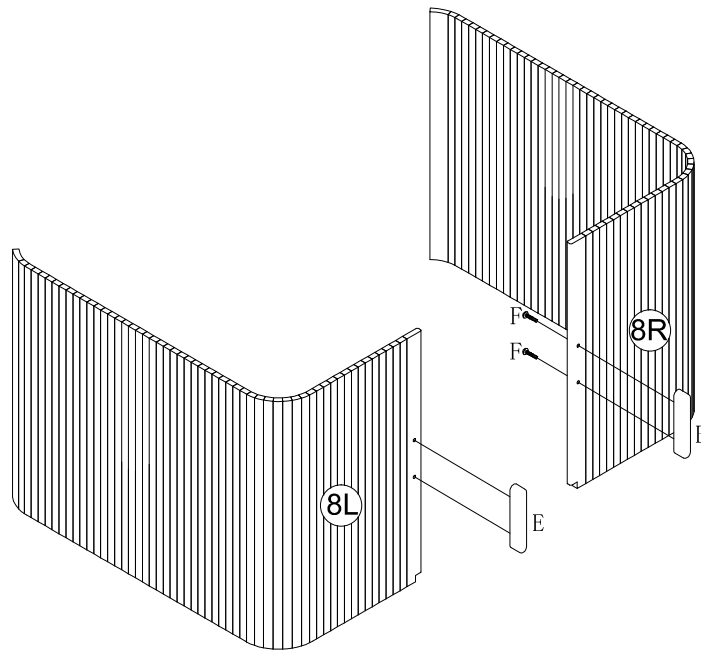
STEP 4



No. B
Quantity: 9 Pcs
Ø15



STEP 5



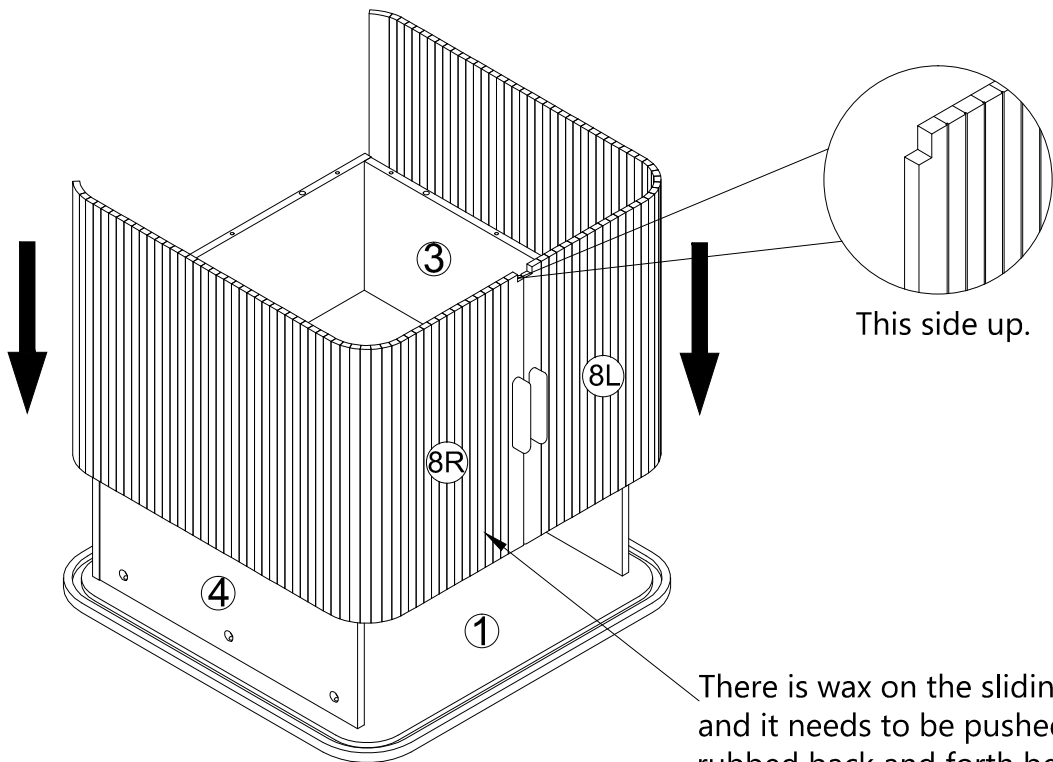
No. F
Quantity: 4 Pcs
M4*14mm



No. E
Quantity: 2 Pcs
110*20mm



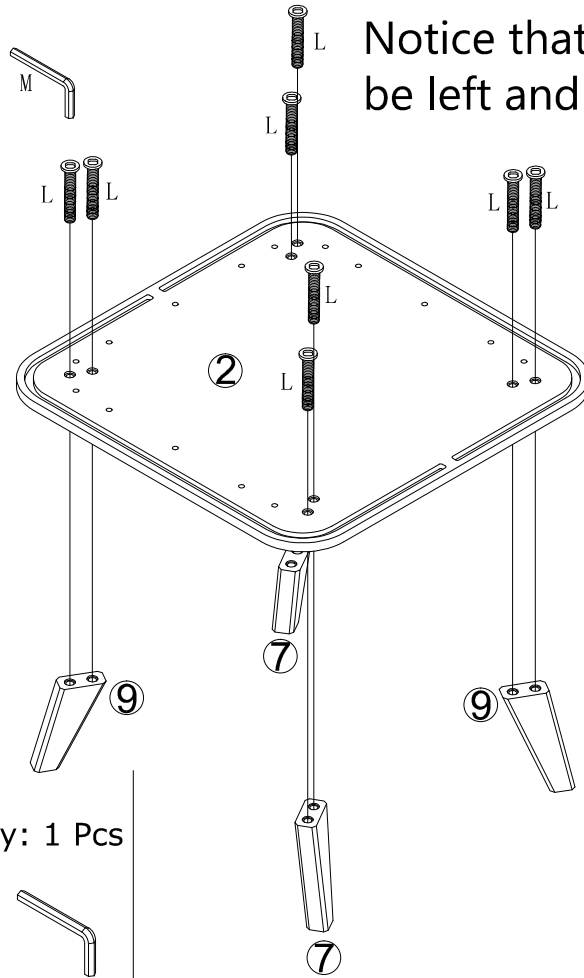
STEP 6



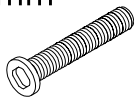
There is wax on the sliding door, and it needs to be pushed and rubbed back and forth before use, so that the wax is evenly attached to the board.

STEP 7

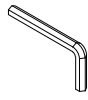
Notice that the feet should be left and right.



No. L
Quantity: 8 Pcs
M8*30mm

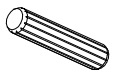


No. M
Quantity: 1 Pcs
5#



STEP 8

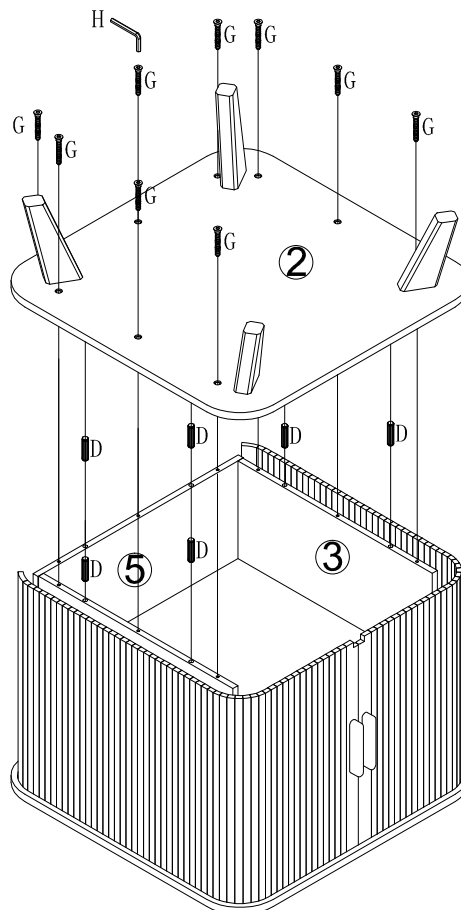
No. D
Quantity: 6 Pcs
8*30mm



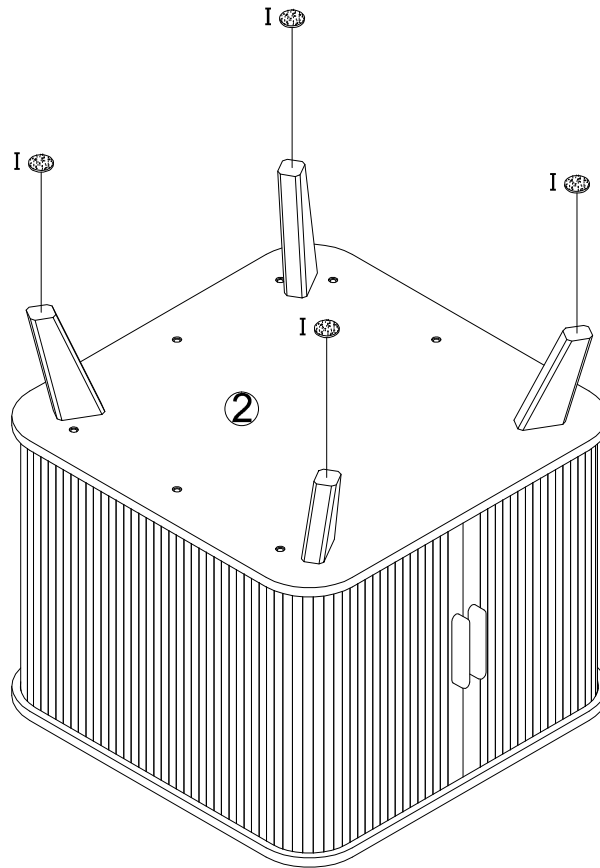
No. G
Quantity: 9 Pcs
M6*40mm



No. H
Quantity: 1 Pcs
4#



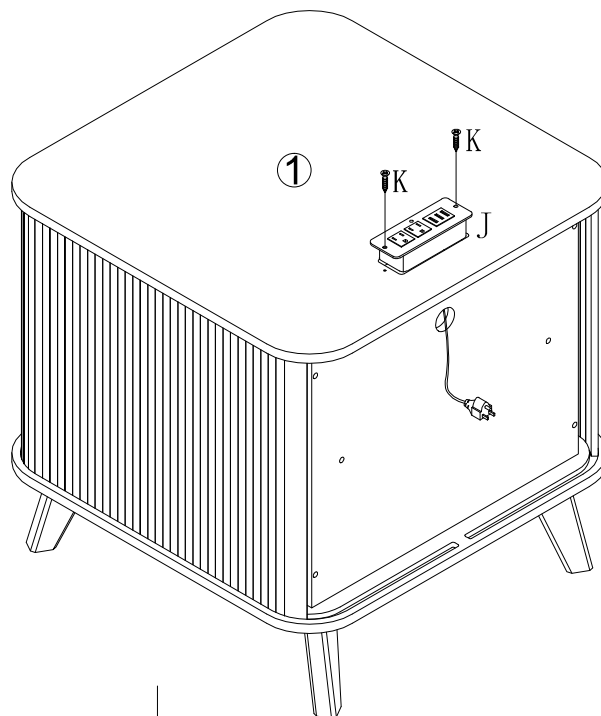
STEP 9



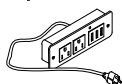
No. I
Quantity: 4 Pcs
Ø20



STEP 10



No. J
Quantity: 1 Sets
Power strip



No. K
Quantity: 2 Pcs
M3.5*14mm

