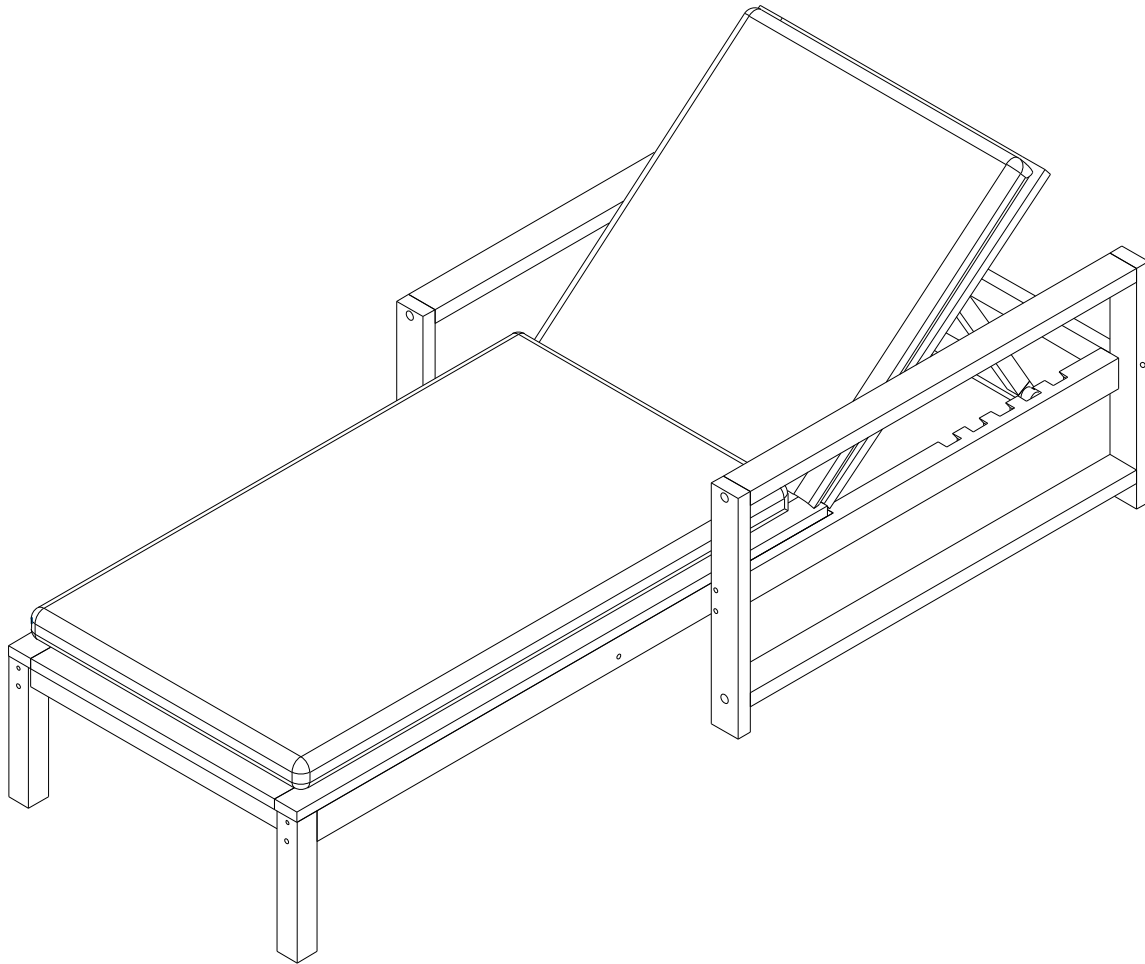


Outdoor Chaise Lounger



N715P236307

Please read all instructions carefully:

- 1. Have 2 adults on hand for assembly.**
- 2. 50% Tighten before fixing all screws, Allen wrench is recommended instead of an electric drill.**
- 3. Place the item on a flat ground to adjust and make sure it remains stable.**
- 4. Tighten up all screws with tools gradually.**
- 5. If the screws are not aligned with holes during assembly, please loosen all the other screws to 50% and continue the assembly process.**
- 6. If the item is not stable, please loosen all the screws, adjust it on a flat ground and tighten up all screws again.**
- 7. Note : If one or some screws are fully tightened during assembly, chances are the others will not be aligned with holes. In addition, all the holes are designed to be relatively larger to provide more space for the adjustment of the screws.**

Assembly Instruction

Caution: You must read these Assembly Instructions before you proceed.



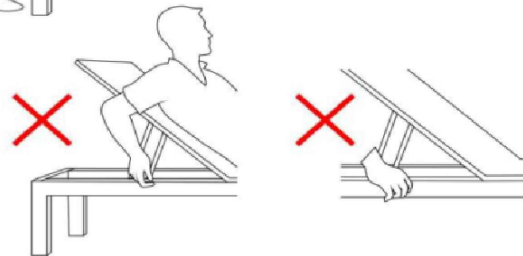
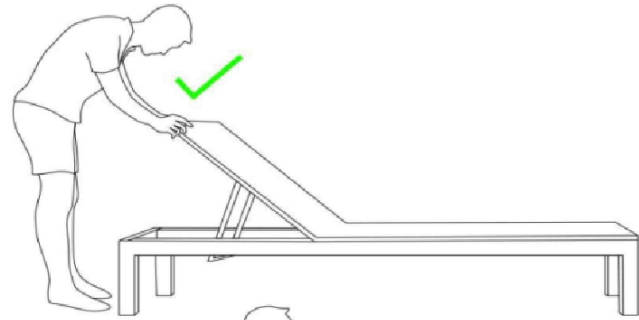
SAFETY WARNING

Never adjust chaise lounge or recliner backrest while seated.

Always make sure the backrest is flat before moving the chaise lounge.










Keep all limbs clear from under the backrest when it is in a raised position.

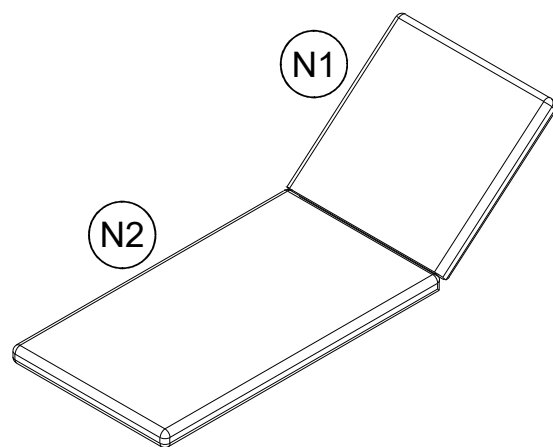
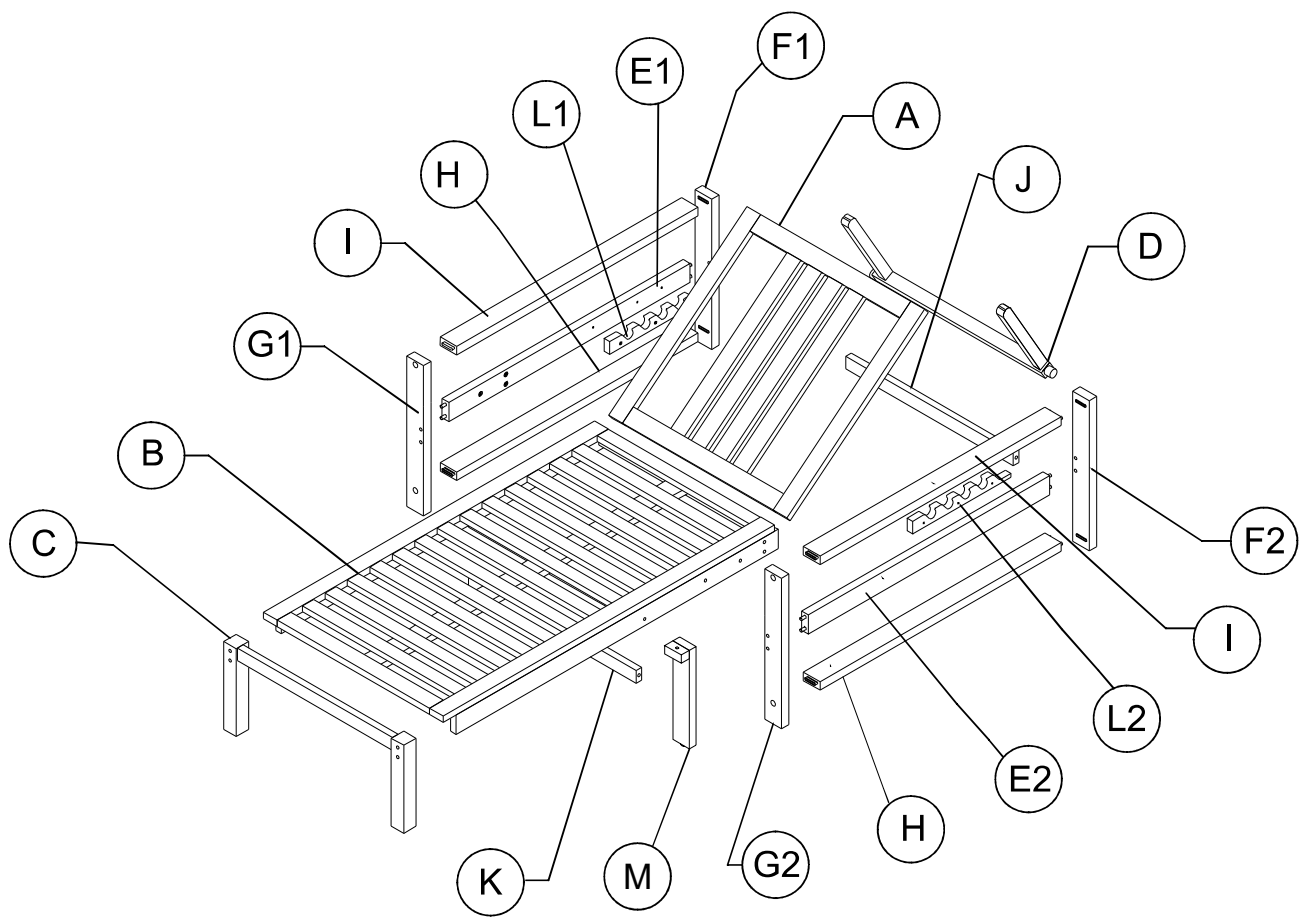
Serious finger, hand, or other bodily injuries may result from adjusting the chaise lounge backrest position while seated.



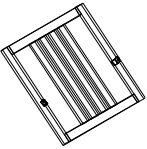
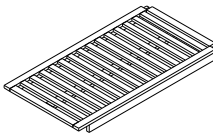
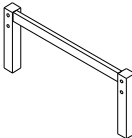
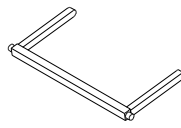
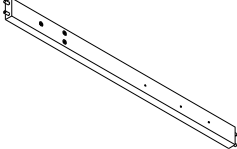
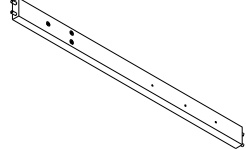
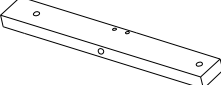
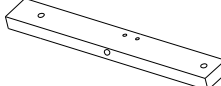

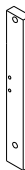
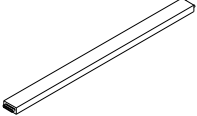
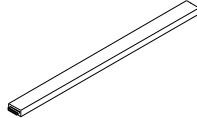
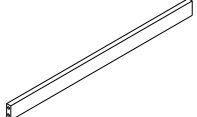
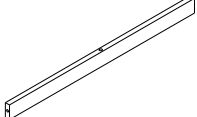
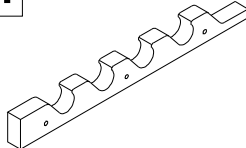
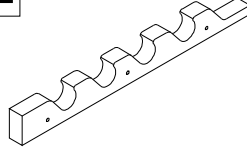

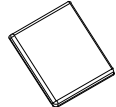
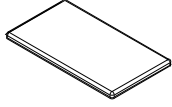
The examples pictured above are non exhaustive and are for your reference only

Care & Maintenance

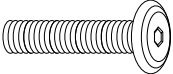
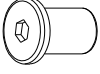





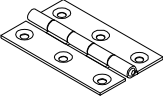

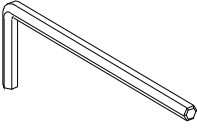
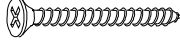

- ⊘  • Not for commercial use. For residential use only
- ⊘  • Do not put hot items directly on furniture surface.
- ⊘  • Do not clean furniture with harsh cleansers or polish.
- ✓  • To obtain the longest lifespan of your outdoor products, minimizing exposure to direct sunlight is recommended.
- ⊘  • Children should not climb or jump on the furniture.
- ⊘  • Do not write on furniture without a padded barrier to protect the surface.
- ✓  • To obtain the longest lifespan of your outdoor products, avoid extended and lengthy exposure to rain, snow, and direct sunshine. Whenever possible cover the product and /or place under patio or awnings.
- ⊘  • Stains may be removed with mild soap solution and damp cloth..
- ✓  • Dust and pick-up spills using a clean, non-colored, lint-free cloth.



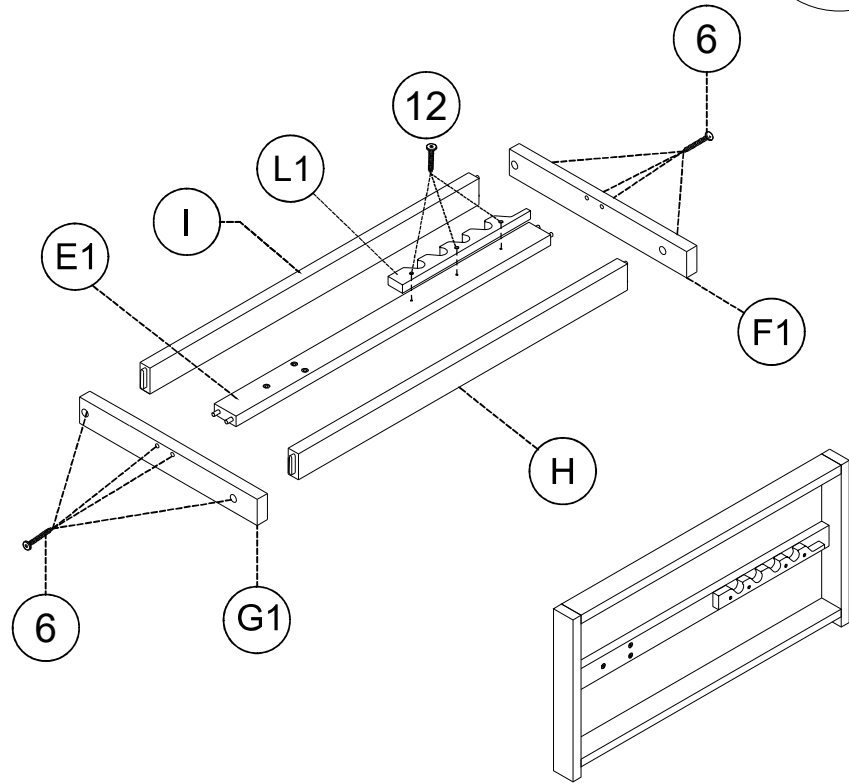
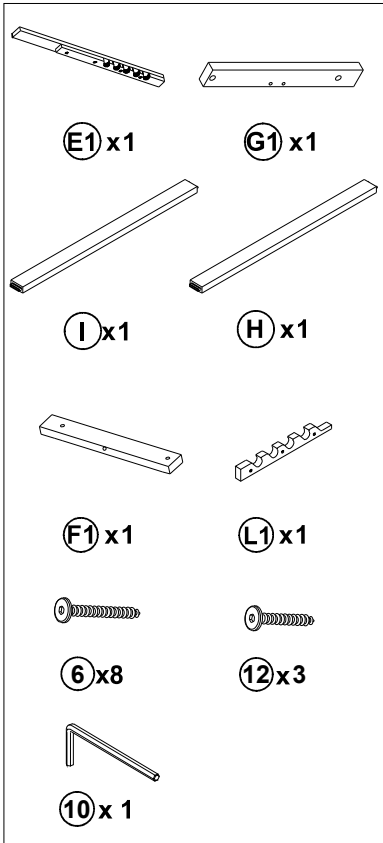
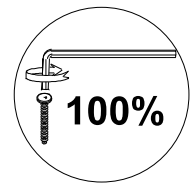
Part List :

<p>A</p>  <p>Backrest Panel (1pc)</p>	<p>B</p>  <p>Seat Panel (1pc)</p>	<p>C</p>  <p>Front Leg Panel (1pc)</p>	<p>D</p>  <p>Adjustment Lever (1pc)</p>
<p>E1</p>  <p>Left Side Rail (1pc)</p>	<p>E2</p>  <p>Right Side Rail (1pc)</p>	<p>F1</p>  <p>Back Left Leg (1pc)</p>	<p>F2</p>  <p>Back Right Leg (1pc)</p>
<p>G1</p>  <p>Middle Left Leg (1pc)</p>	<p>G2</p>  <p>Middle Right Leg (1pc)</p>	<p>H</p>  <p>Leg Support Bar (2pcs)</p>	<p>I</p>  <p>Armrest Bar (2pcs)</p>
<p>J</p>  <p>Back Leg Support Bar (1pc)</p>	<p>K</p>  <p>Seat Support Bar (1pc)</p>	<p>L1</p>  <p>Adjustment Bracket (1pc)</p>	<p>L2</p>  <p>Adjustment Bracket (1pc)</p>
<p>M</p>  <p>Support Leg (1pc)</p>	<p>N1</p>  <p>Back Cushion (1pc)</p>	<p>N2</p>  <p>Seat Cushion (1pc)</p>	

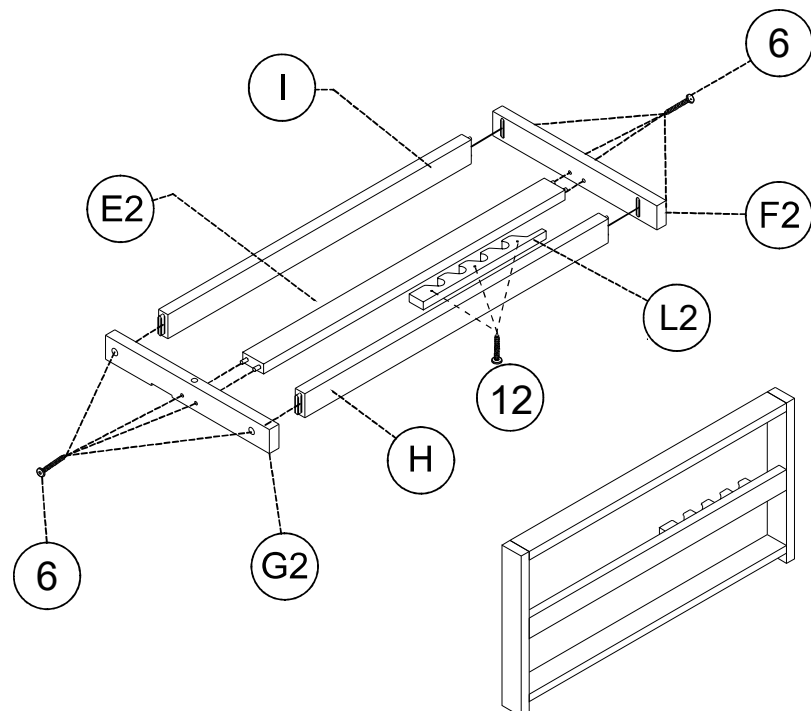
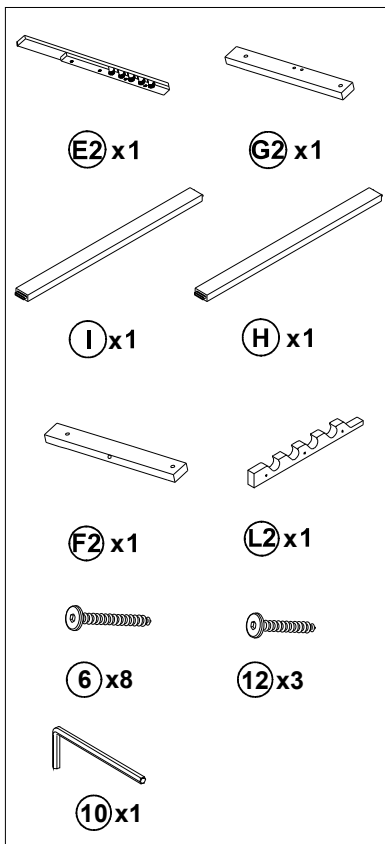
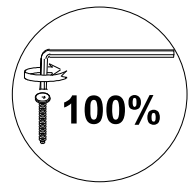
Hardware list:

<p>1</p>  <p>Bolt M6*35 (10pcs) Extra (1 pc)</p>	<p>2</p>  <p>Bolt M6*15 (2pcs) Extra (1 pc)</p>	<p>3</p>  <p>Flat Washer M10 (2pcs) Extra (1 pc)</p>	<p>4</p>  <p>Screw M6x90 (2pcs) Extra (1 pc)</p>
<p>5</p>  <p>Screw M6*70 (4pcs) Extra (1 pc)</p>	<p>6</p>  <p>Screw M6*60 (18pcs) Extra (1 pc)</p>	<p>7</p>  <p>Screw M4*50 (1pc) Extra (1 pc)</p>	<p>8</p>  <p>Hinges (2 pcs)</p>
<p>9</p>  <p>Screw M3.5*20 (12pcs) Extra (1 pc)</p>	<p>10</p>  <p>Allen Wrench (2pcs)</p>	<p>11</p>  <p>Screw M5*65 (1pc) Extra (1 pc)</p>	<p>12</p>  <p>Screw M6*40 (7pcs) Extra (1 pc)</p>

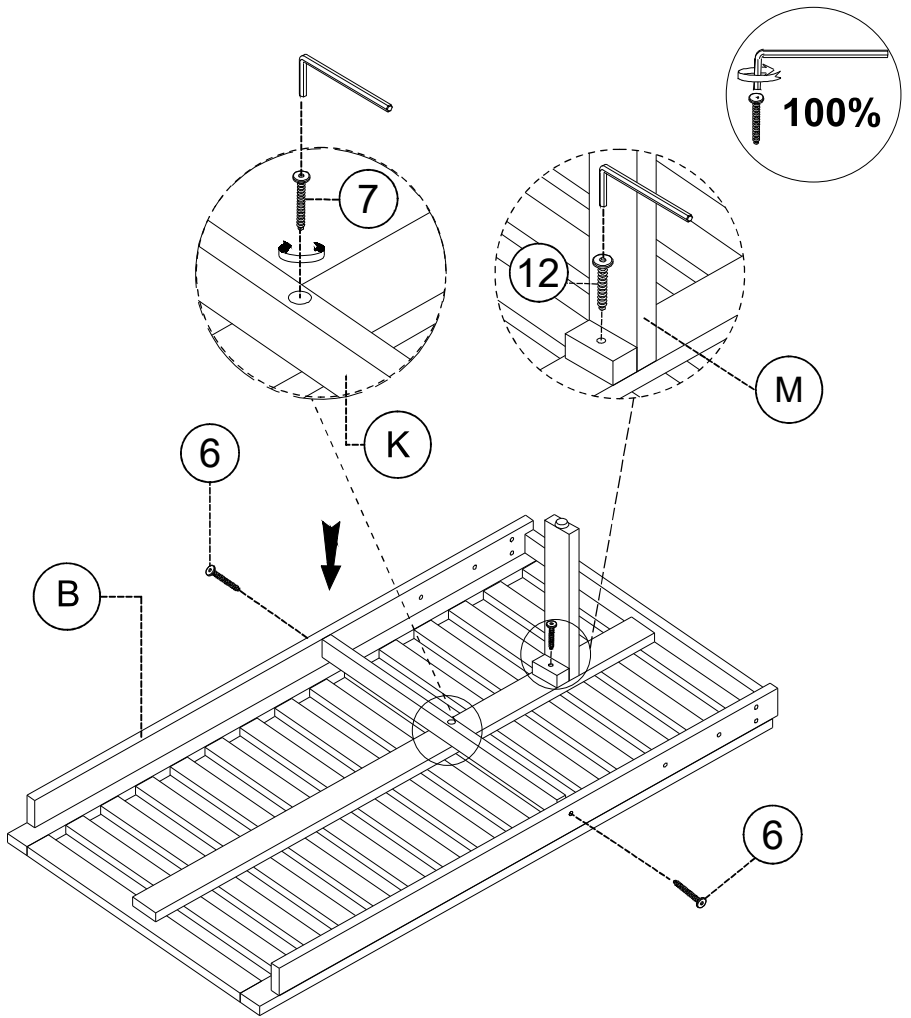
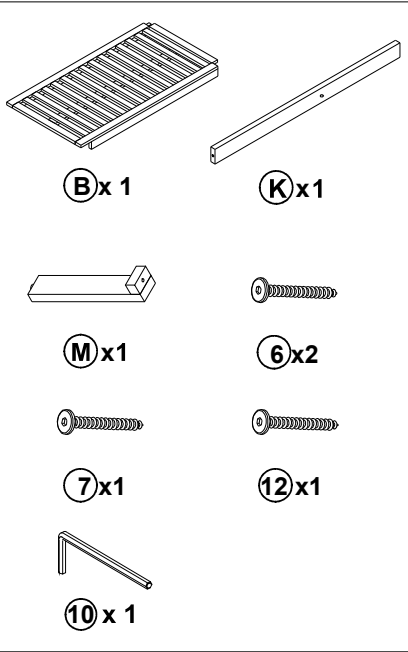
STEP 1



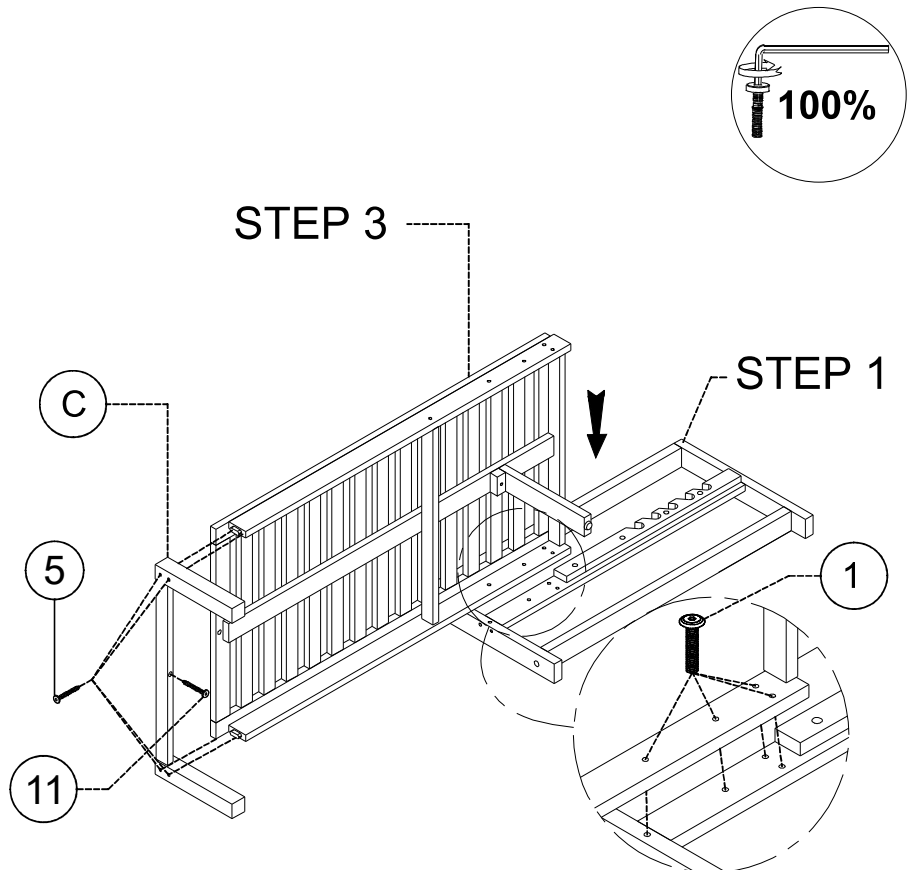
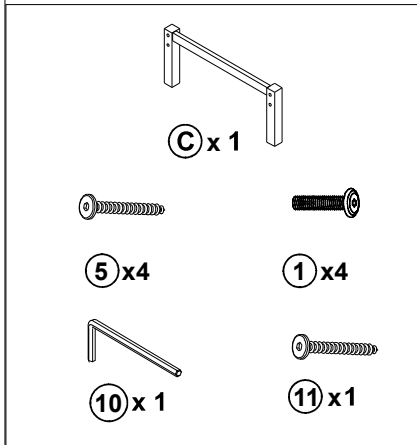
STEP 2



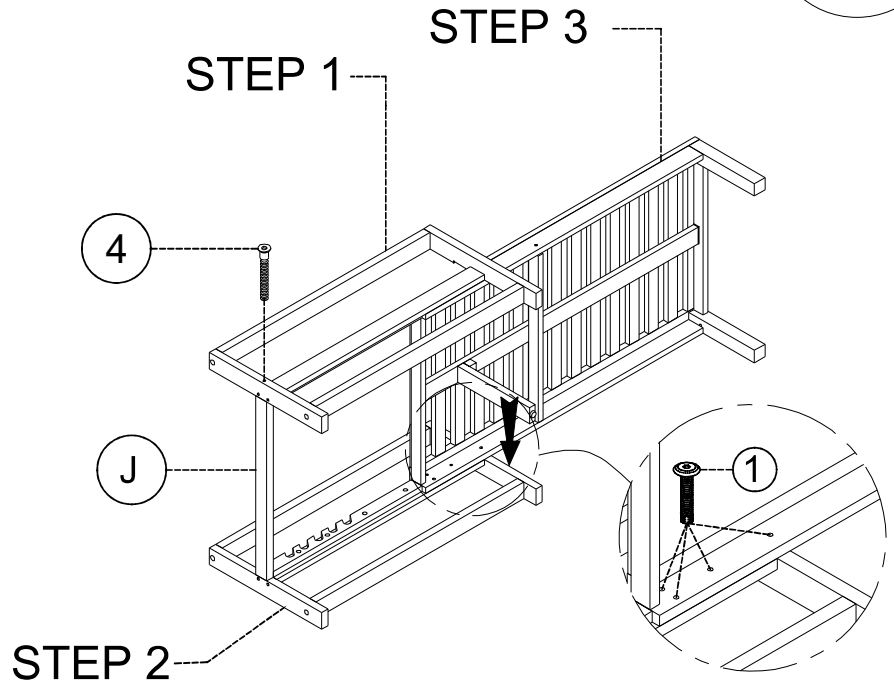
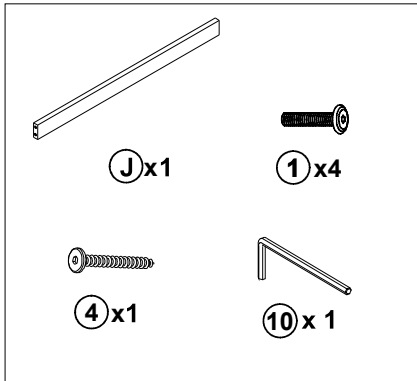
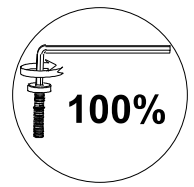
STEP 3



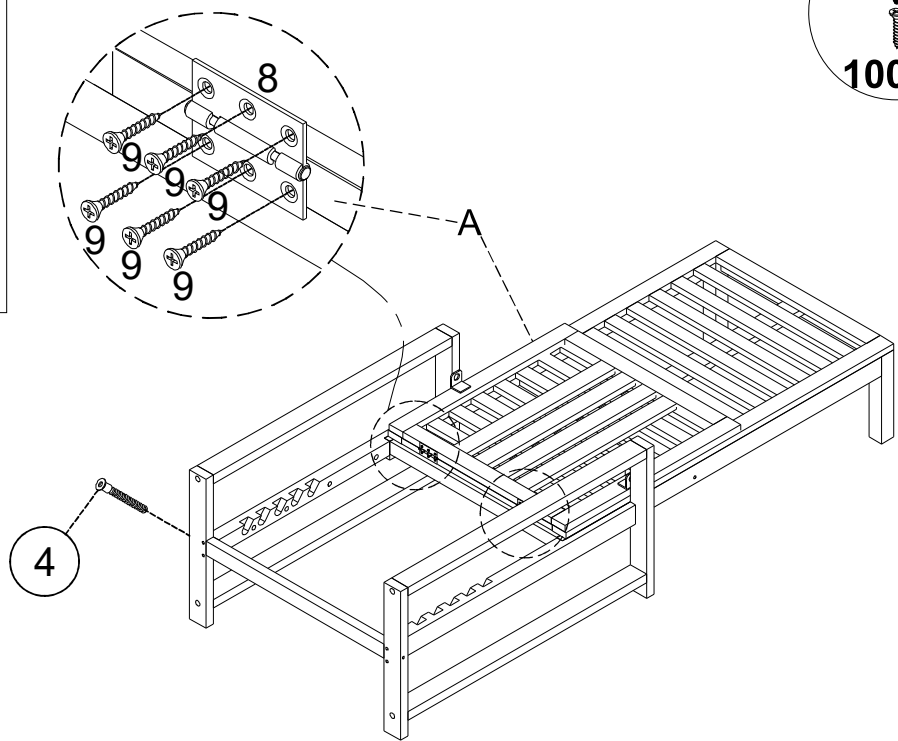
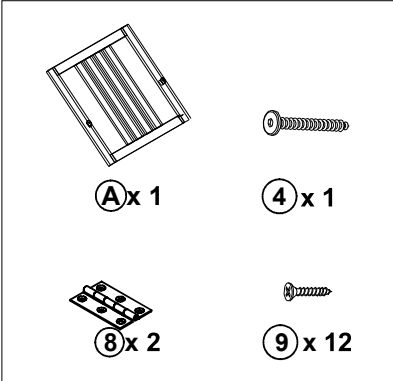
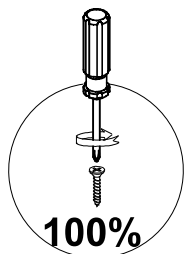
STEP 4



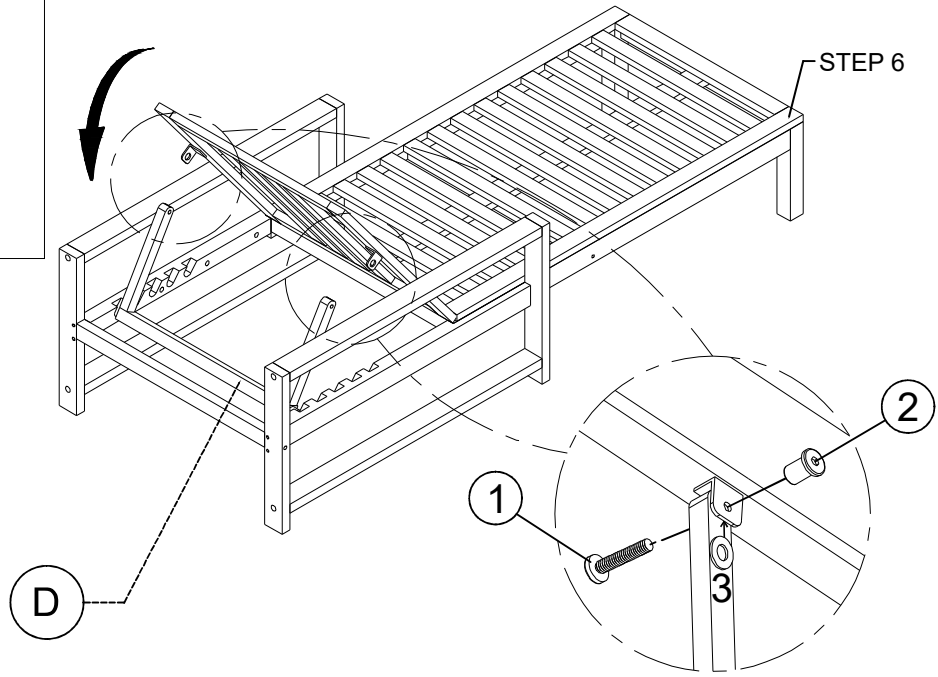
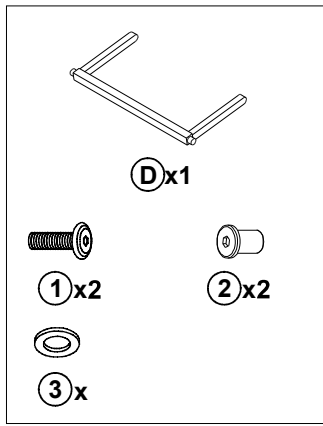
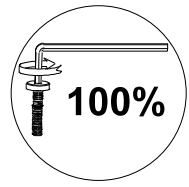
STEP 5



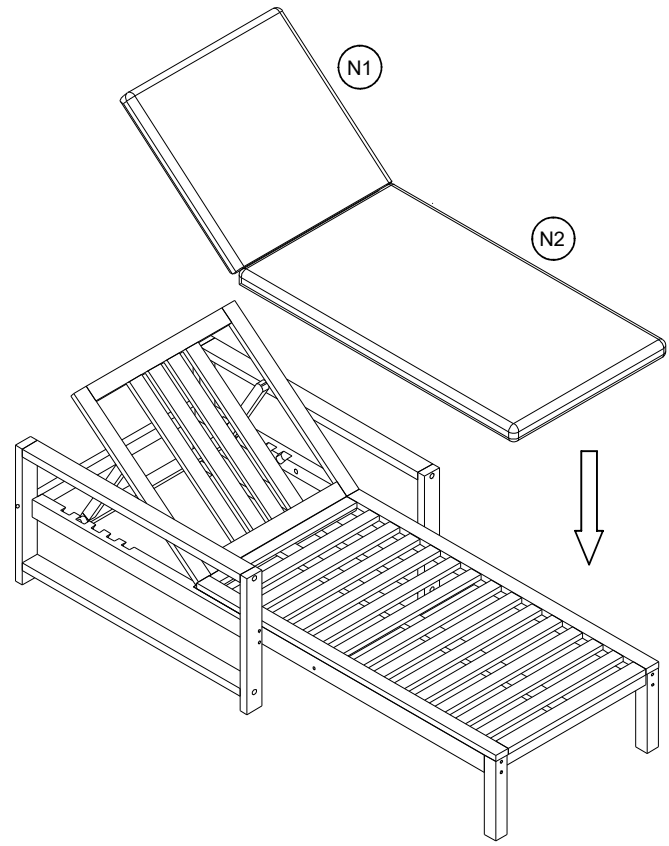
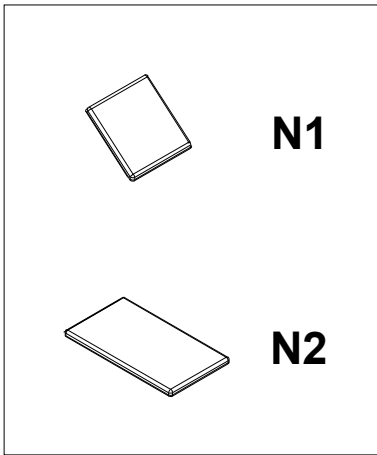
STEP 6



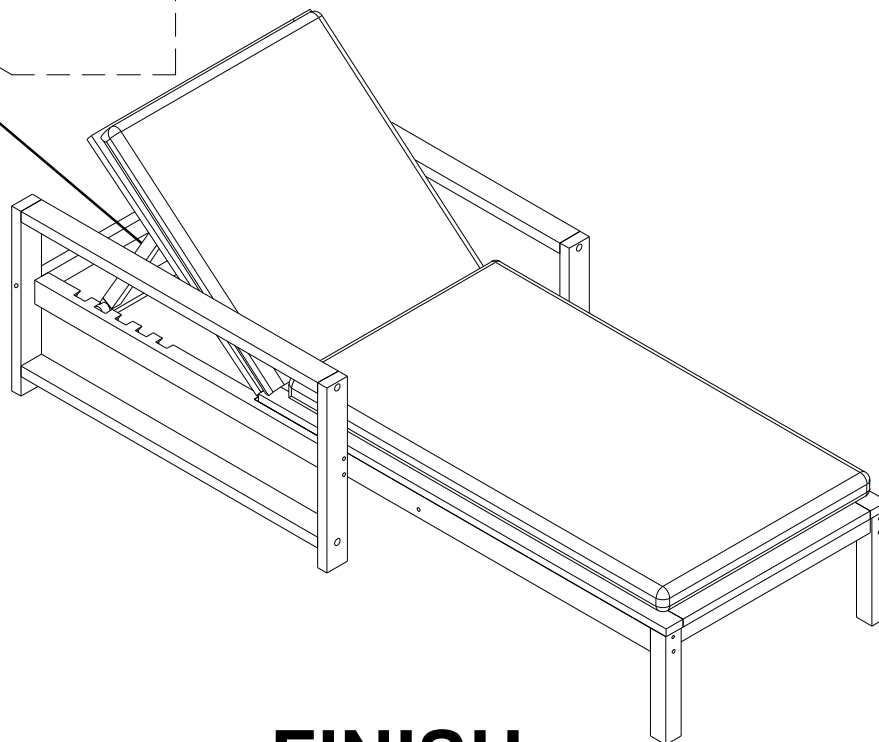
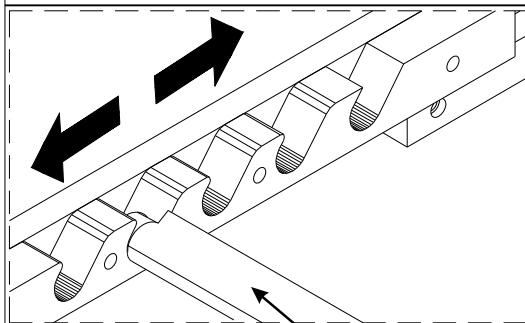
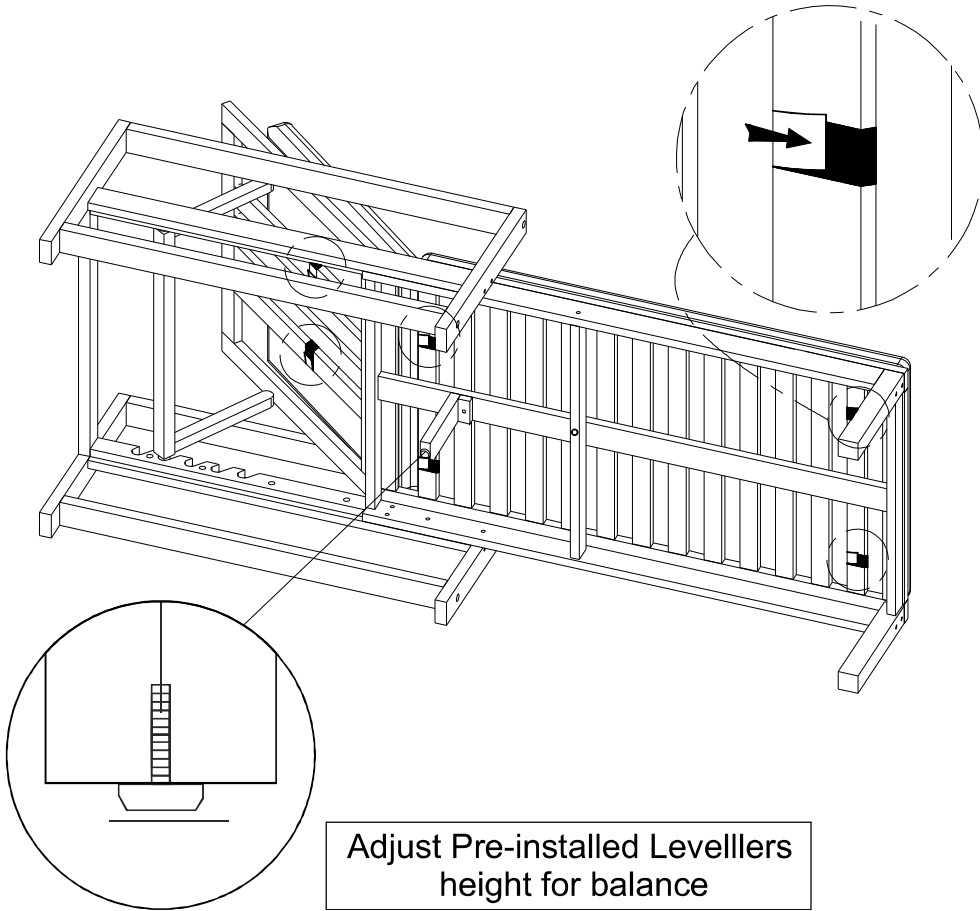
STEP 7



STEP 8



STEP 9



FINISH