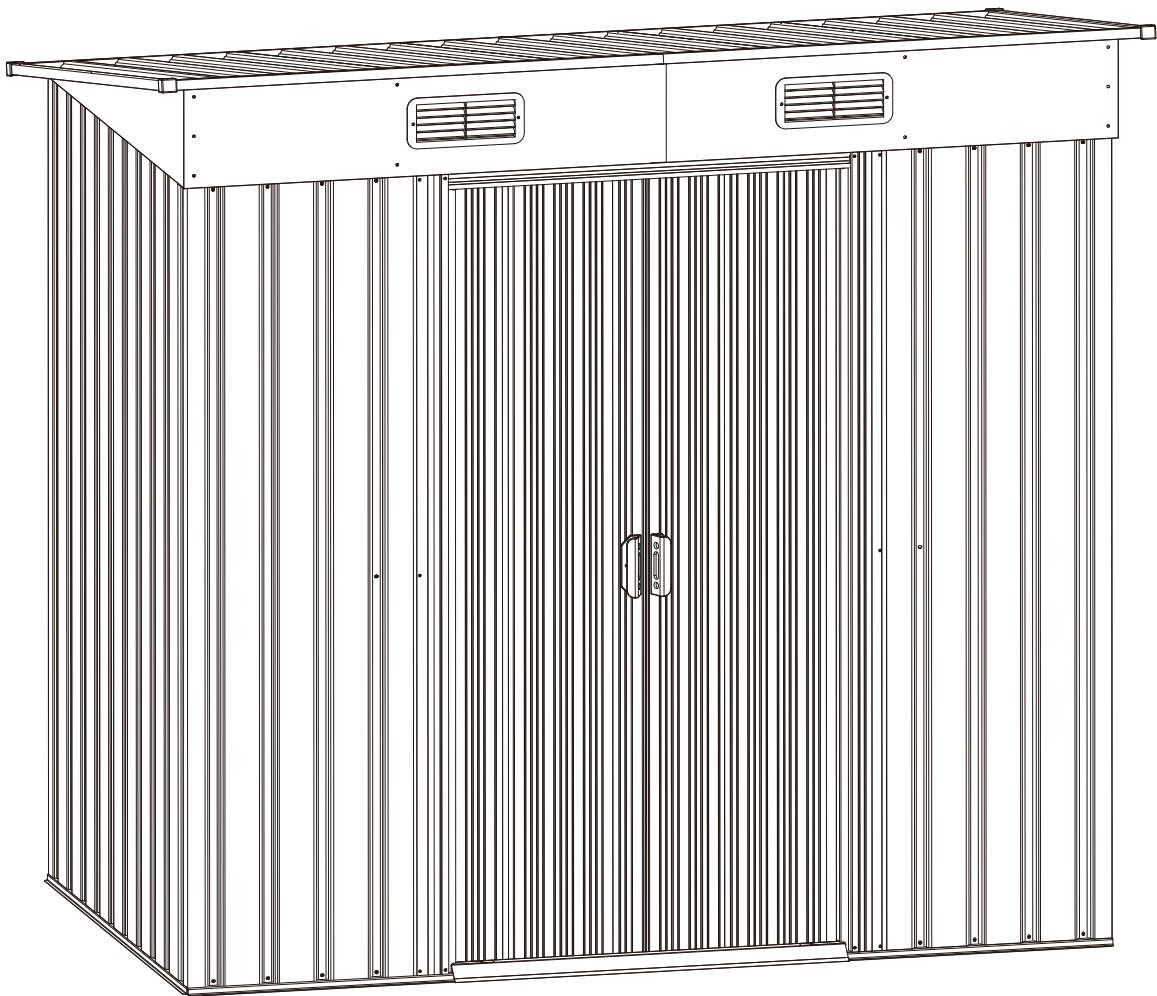


METAL GARDEN SHED

ASSEMBLY INSTRUCTIONS 4×6FT



WARNING

Please read the instruction manual carefully before assembly.

Please assembly strictly in accordance with the instrution.

Please double-check to ensure that all parts of the package contents intact.

BEFORE YOU START

Owner's Manual: Before starting the assembly, verify local building codes for footing, location, and other requirements. Thoroughly read and understand this owner's manual. Valuable information and useful tips will enhance the ease and enjoyment of your assembly process.

Assembly Instructions: Instructions are provided in this manual and all relevant details are included for this shed. Review all instructions before starting, and carefully follow the step sequence during the assembly.

Parts and Parts List: Ensure you have all the necessary parts. Organize the contents of the carton by part number referring to the parts list. The first few steps demonstrate how to assemble related parts into larger sub-assemblies for later use. Familiarize yourself with the included hardware and fasteners to streamline the assembly process.

The above are packaged within the carton. Please note that extra fasteners are included for your convenience.

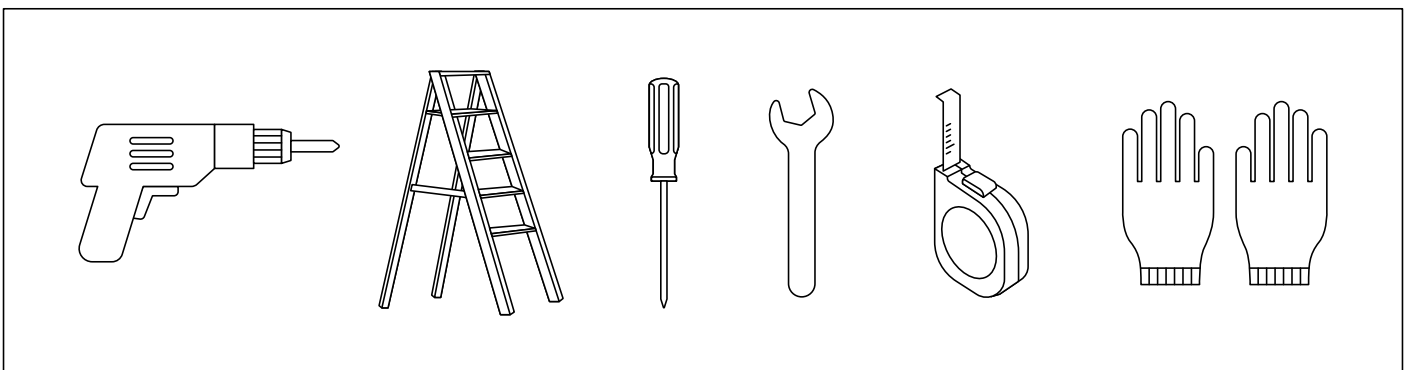
PLAN AHEAD

Check the Weather: Ensure the weather the day chosen for installing the shed is fine. Avoid assembling on windy days, and exercise caution on wet or muddy ground.

Teamwork: Whenever possible, engage two or more individuals on the assembly. One person can position parts or panels while the other handles fasteners and tools.

Tools and Materials: Here are some essential tools and materials for the assembly. Determine the anchoring method and foundation type you intend to use to make a comprehensive list of required materials.

Required Tools:

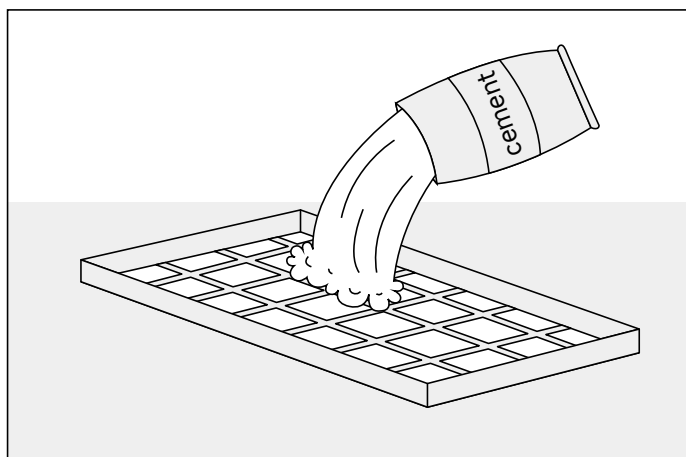
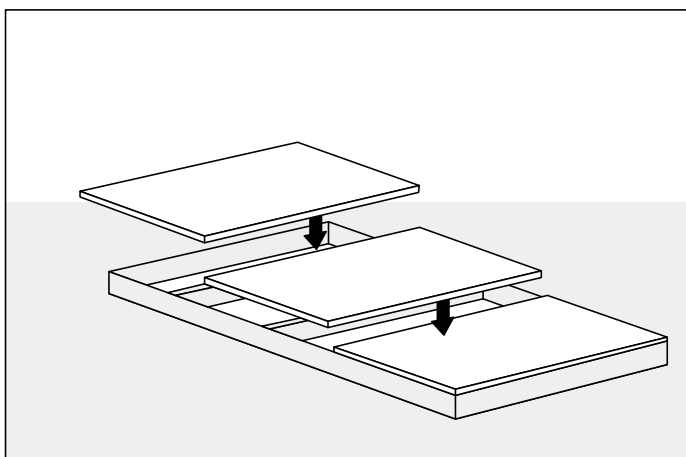


SITE PREPARATION

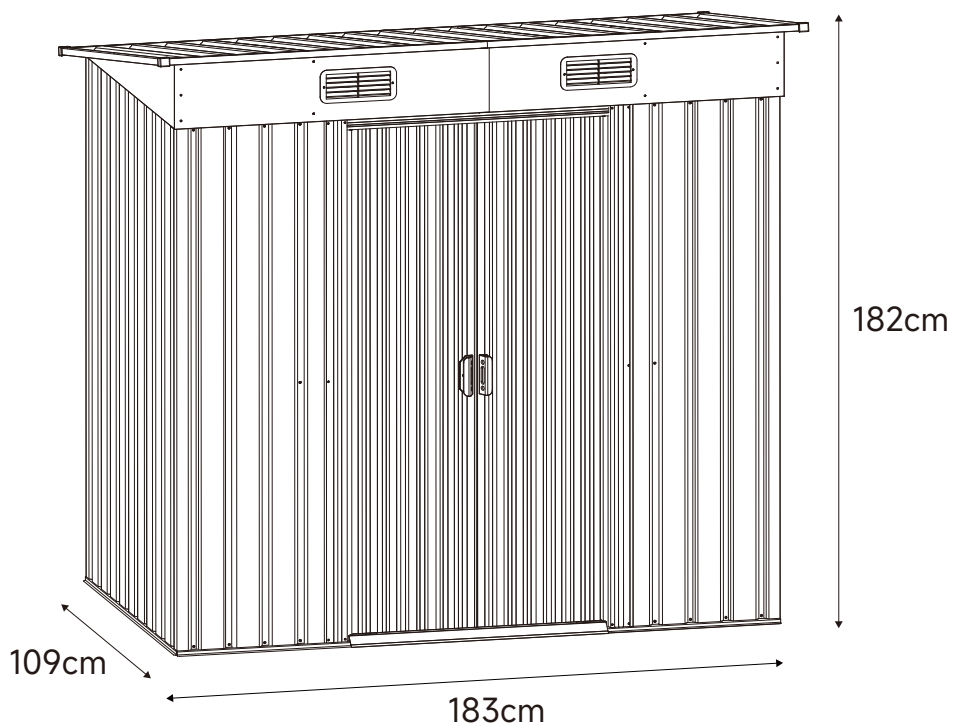
Clear and Level the Ground Surface



Recommendation: Build a wooden or concrete base as the foundation.



External Dimensions of the Product:



CARE & MAINTENANCE

Finish: For a long-lasting finish, periodically clean and wax the exterior surface. Address scratches promptly by cleaning the area with a wire brush, washing it, and applying touch-up paint according to the manufacturer's recommendation.

Roof: Keep the roof clear of leaves and snow with a long-handled, soft-bristled broom. Excessive snow on the roof can damage the shed, making it unsafe to enter into. In snowy areas, Roof Strengthening Kits are available for most Arrow Buildings, providing added protection against heavy snow accumulation.

Doors: Ensure the door tracks are free of dirt and debris. Lubricate the door track annually with furniture polish or silicone spray. Keep doors closed and locked to prevent wind damage.

Fasteners: Use all supplied washers for protection against weather infiltration and prevention of screw scratches to the metal. Regularly inspect the shed for loose screws, bolts, nuts, etc. and re-tighten them as necessary.

Moisture: Reduce condensation by placing a plastic sheet (vapor barrier) under the entire floor area.

Other Tips...

Wash off inked part numbers on coated panels with soap and water.

Use silicone caulking for watertight seals throughout the shed.

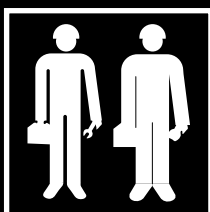
Avoid storing swimming pool chemicals in the shed. Store combustibles and corrosives in airtight approved containers.

WARNING

Carefully read the instruction manual before the assembly.

Strictly follow the assembly instructions.

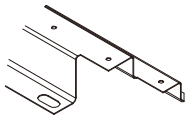
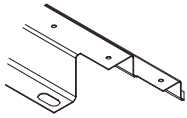
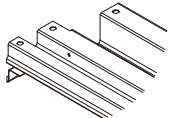
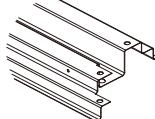
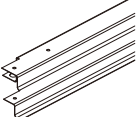
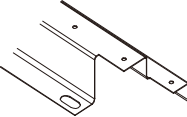
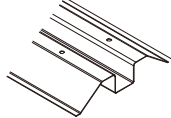
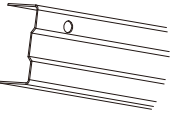
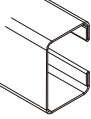
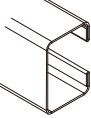
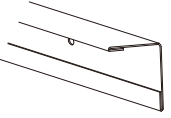
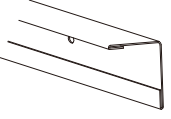
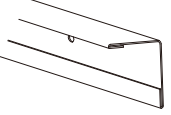
Double-check to ensure that all parts in the package are intact.

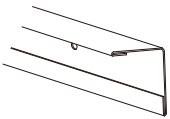
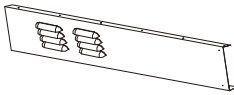
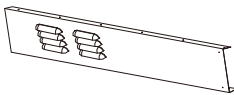
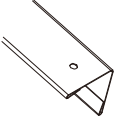
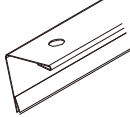
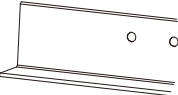
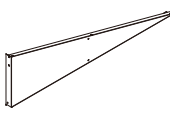
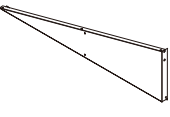




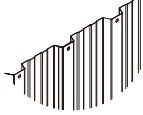


This product requires two individuals for installation, taking approximately 2-3 hours.

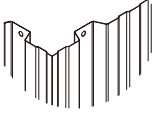

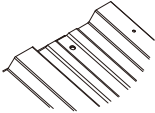
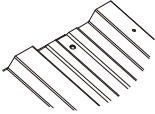
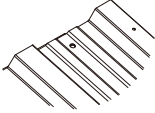
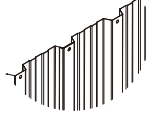
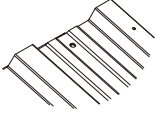
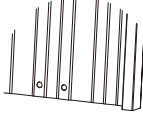
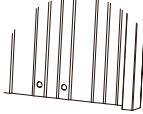




Wear gloves to prevent injuries.

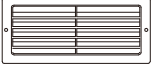

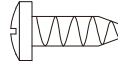
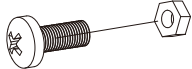
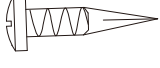


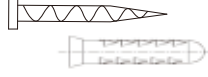
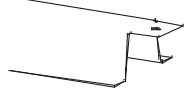
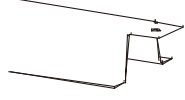
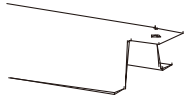
PARTS LIST

NO	PART	QTY
1		1
2		1
3L		1
3R		1
4L		1
4R		1
5		1
6		1
7		1
8		1
9		1
10L		1
10R		1

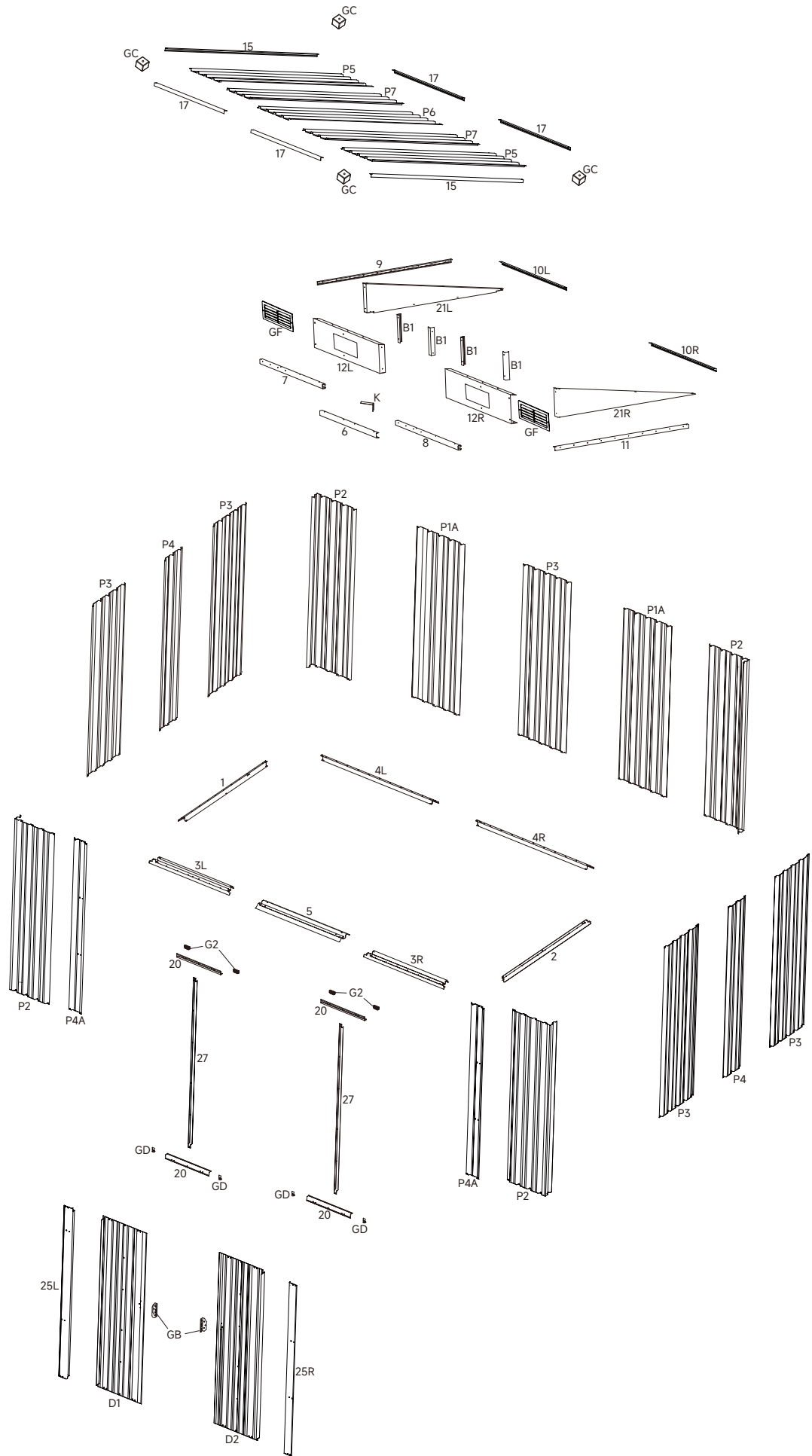
NO	PART	QTY
11		1
12L		1
12R		1
15		2
17		4
20		4
21L		1
21R		1
25L		1
25R		1
27		2
B1		4
P1A		2

PARTS LIST

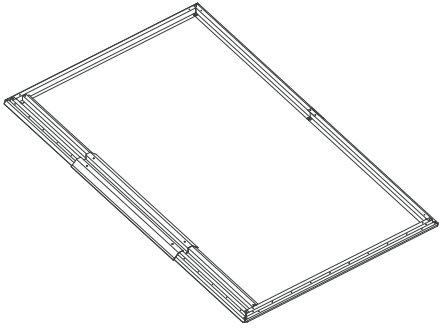
NO	PART	QTY
P2		4
P3		5
P4		2
P4A		2
P5		2
P6		1
P7		2
D1		1
D2		1
G2		4
GB		2
GC		4
GD		4

NO	PART	QTY
GF		2
K		1
F1		184
F2		55
F3		8
S1		108
S2		228
F6		4
W1		2
W2		2
W3		3

EXPLODED VIEW

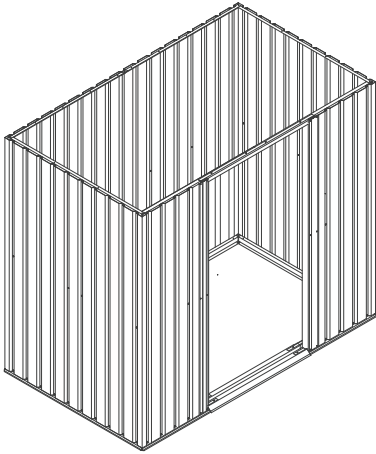


CONTENTS



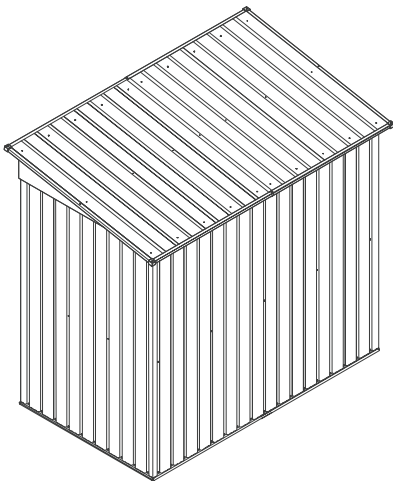
Floor

10-17
(page)



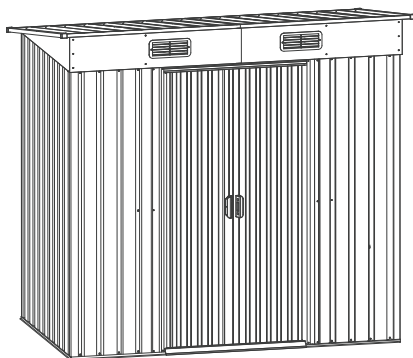
Wall

18-29
(page)



Roof



30-36
(page)

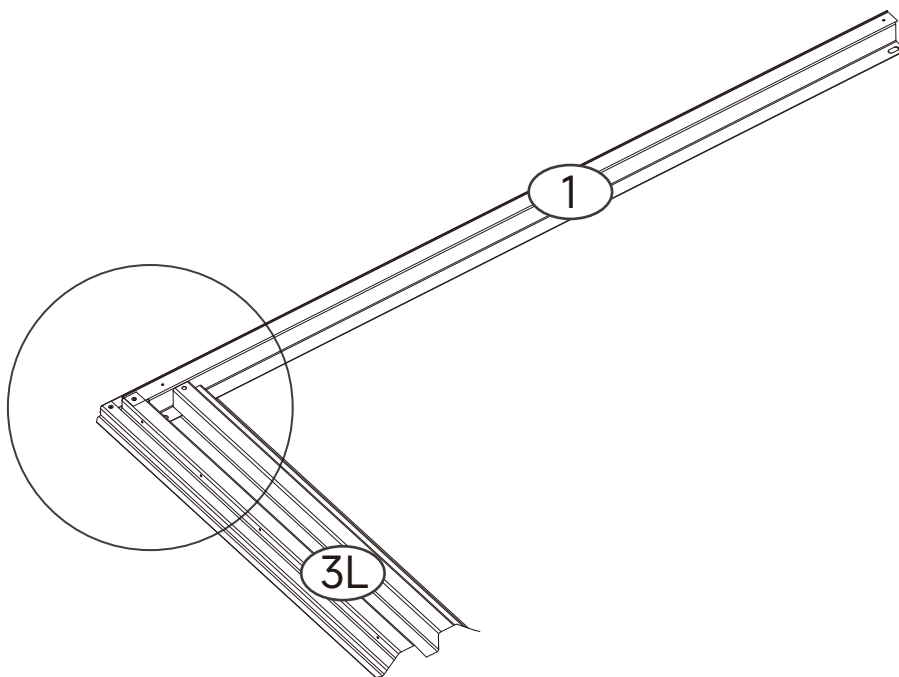
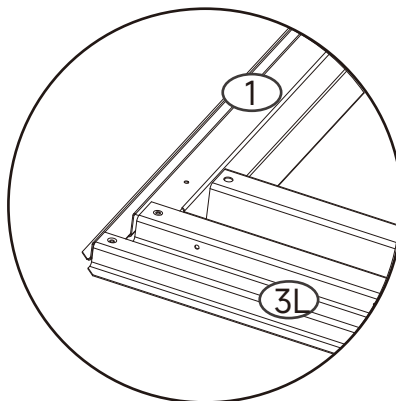
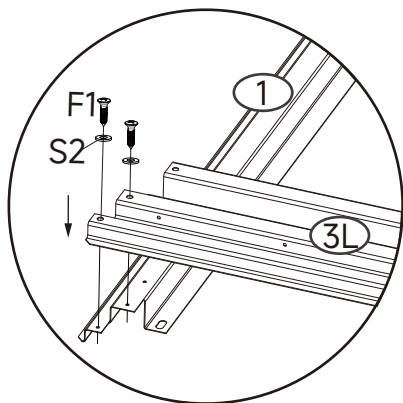


Door



37 -38
(page)

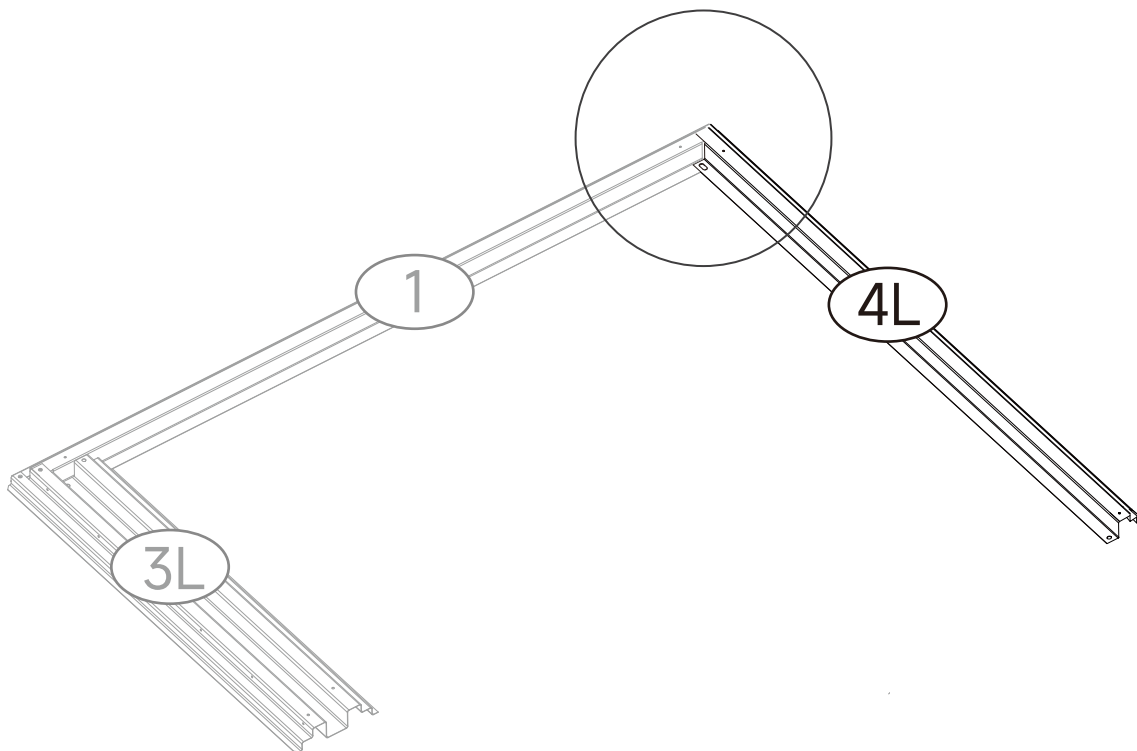
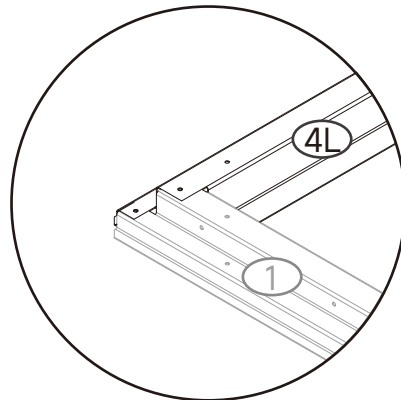
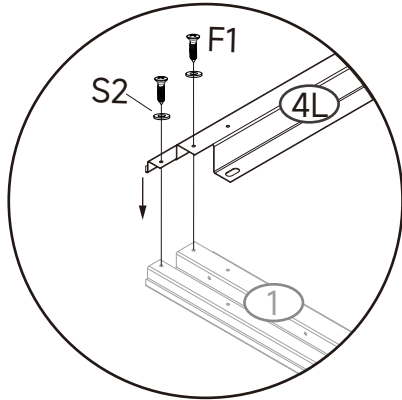
STEP 01

NO	PART	QTY
F1		2
S2		2





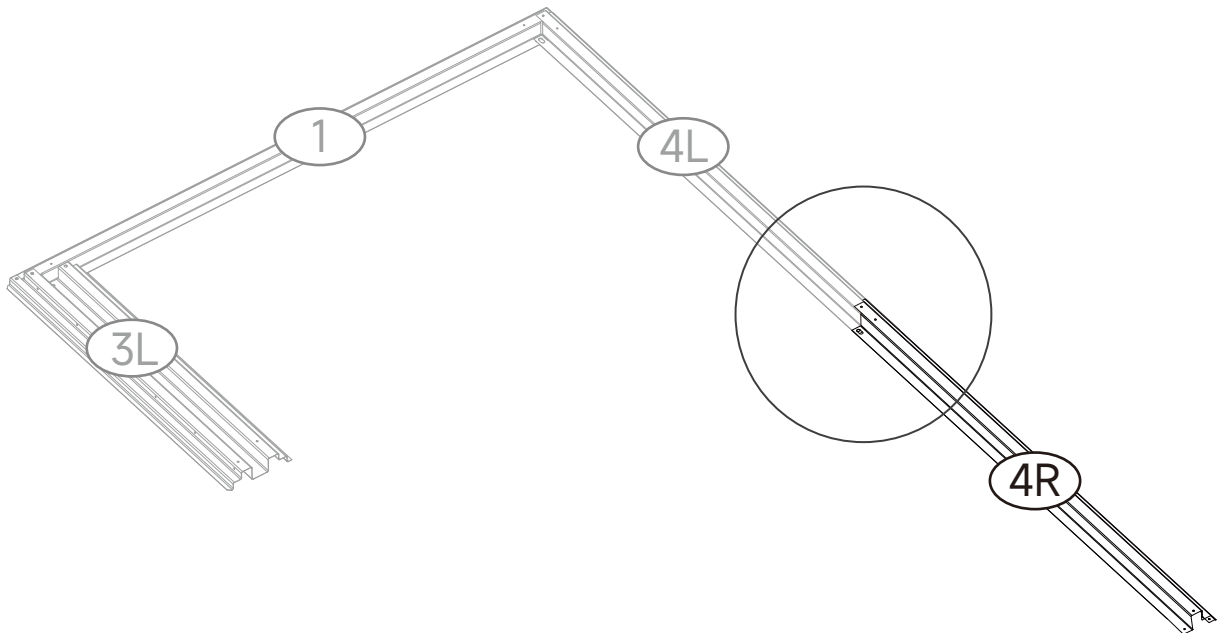
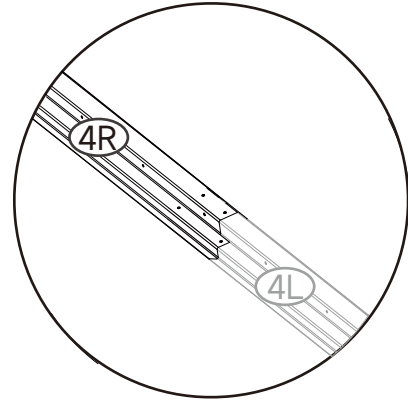
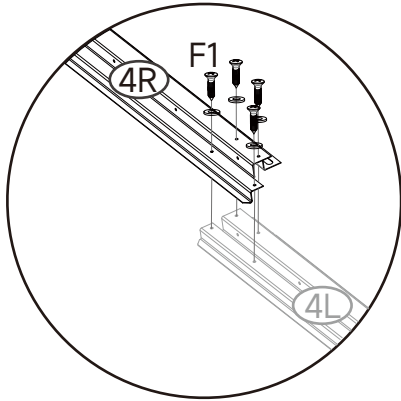
STEP 02

NO	PART	QTY
F1		2
S2		2





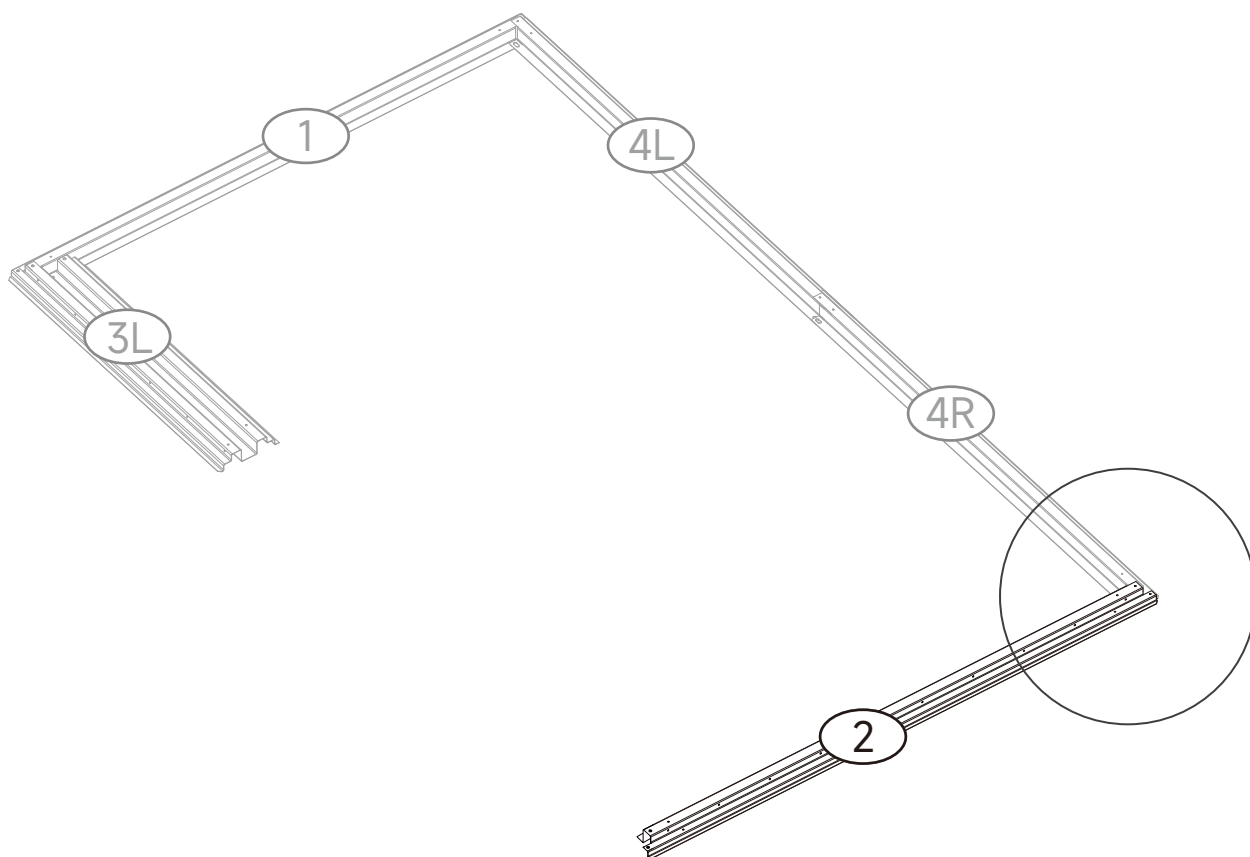
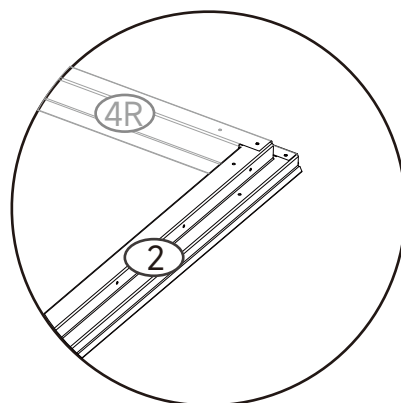
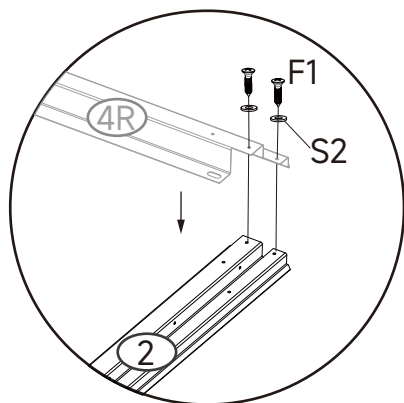
STEP 03

NO	PART	QTY
F1		4
S2		4





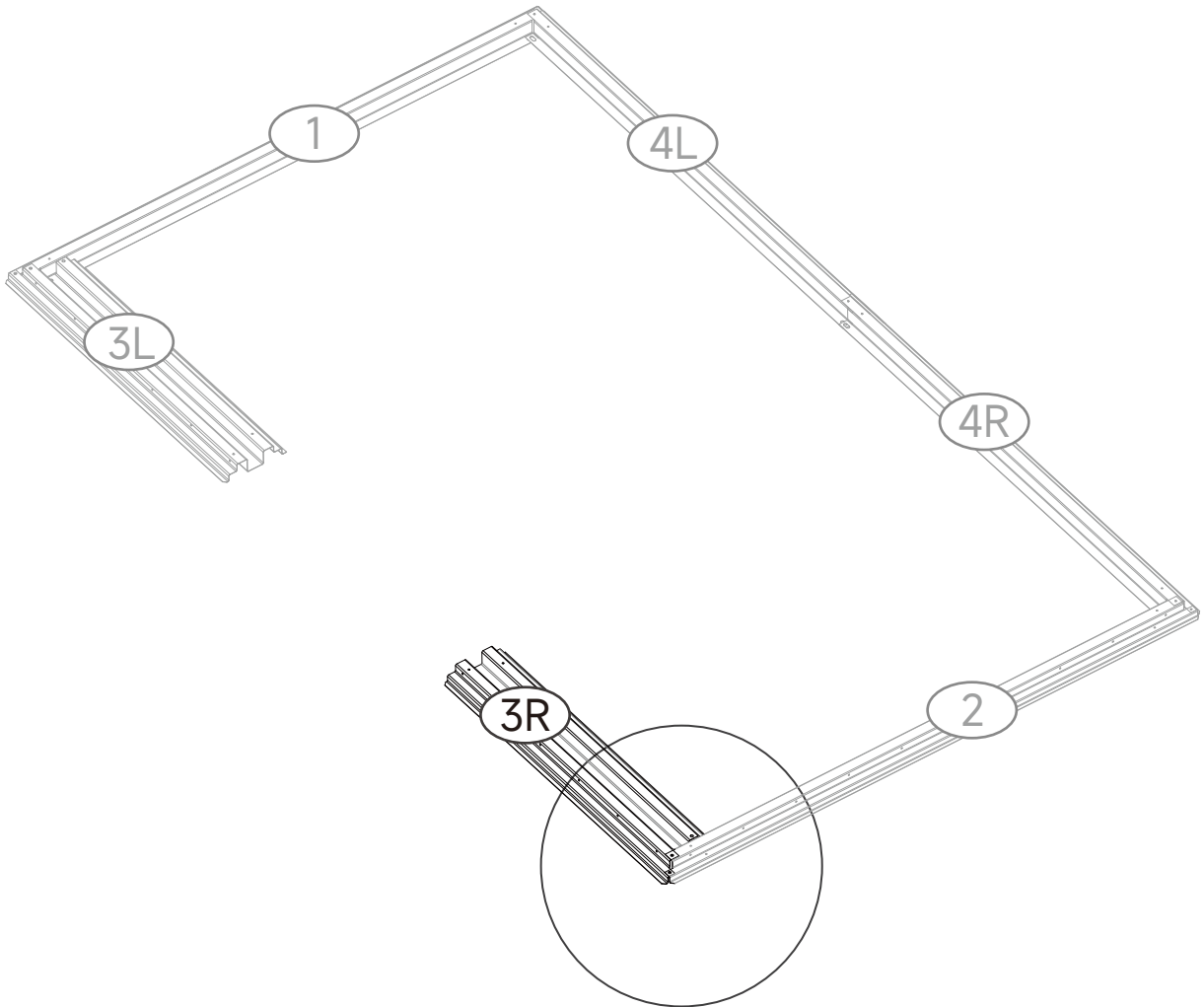
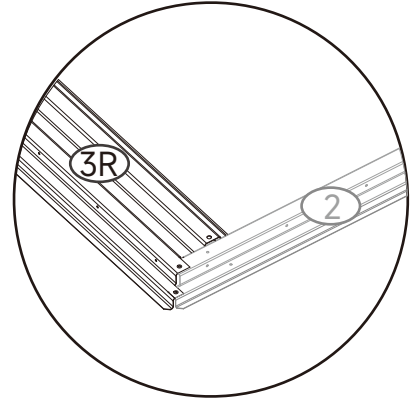
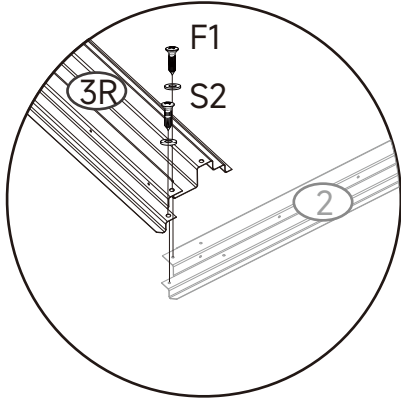
STEP 04

NO	PART	QTY
F1		2
S2		2





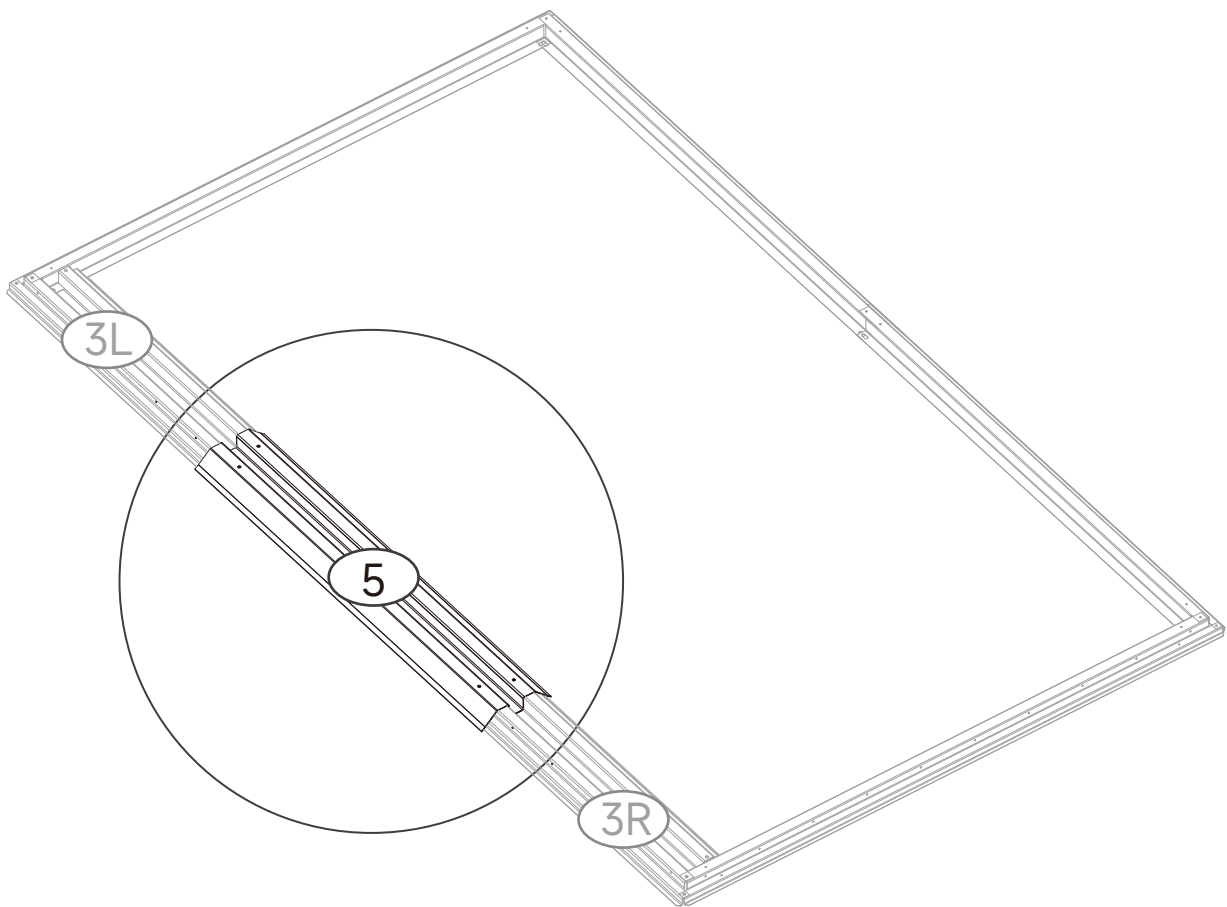
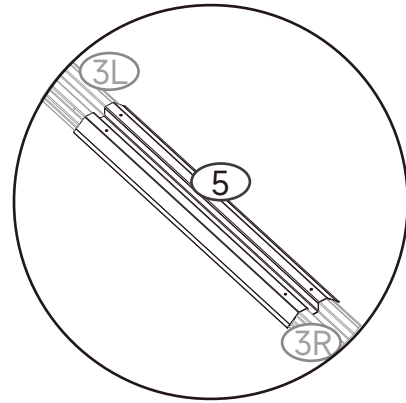
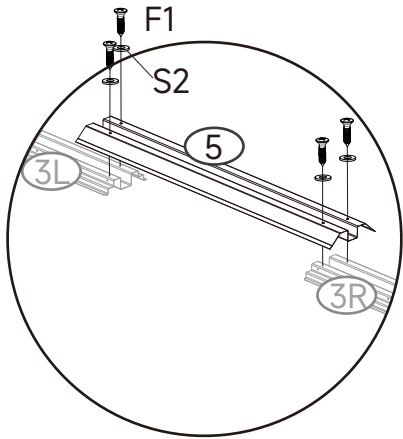
STEP 05

NO	PART	QTY
F1		2
S2		2




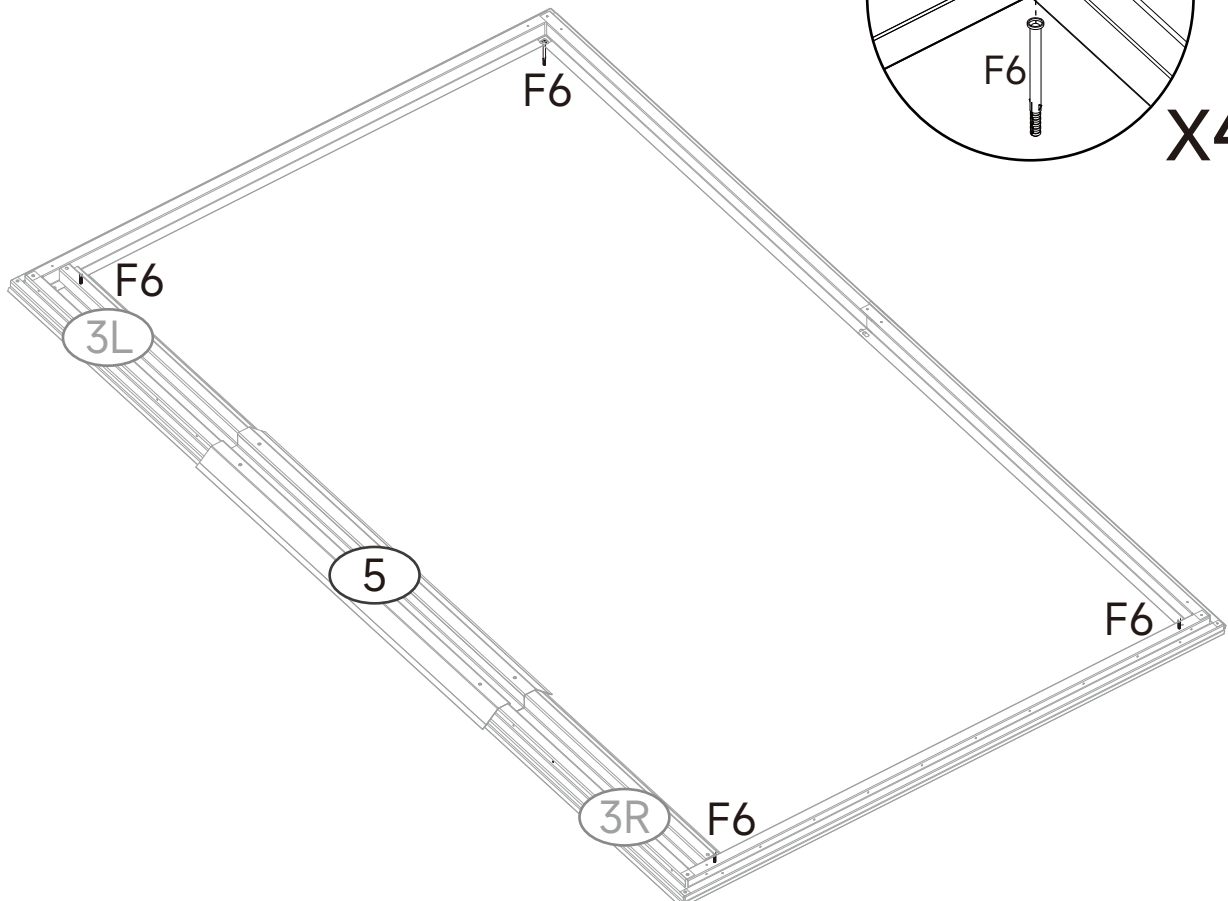
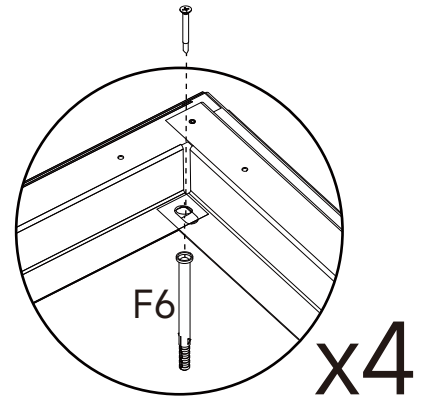
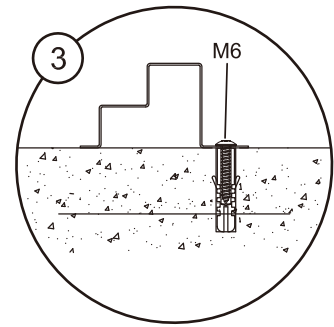
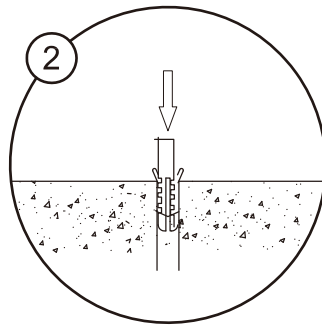
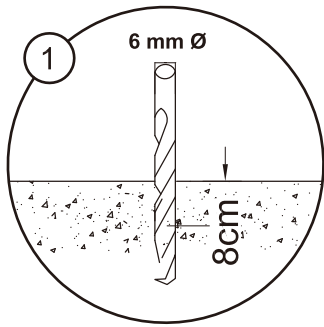
STEP 06

NO	PART	QTY
F1		4
S2		4

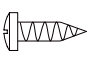


STEP 07

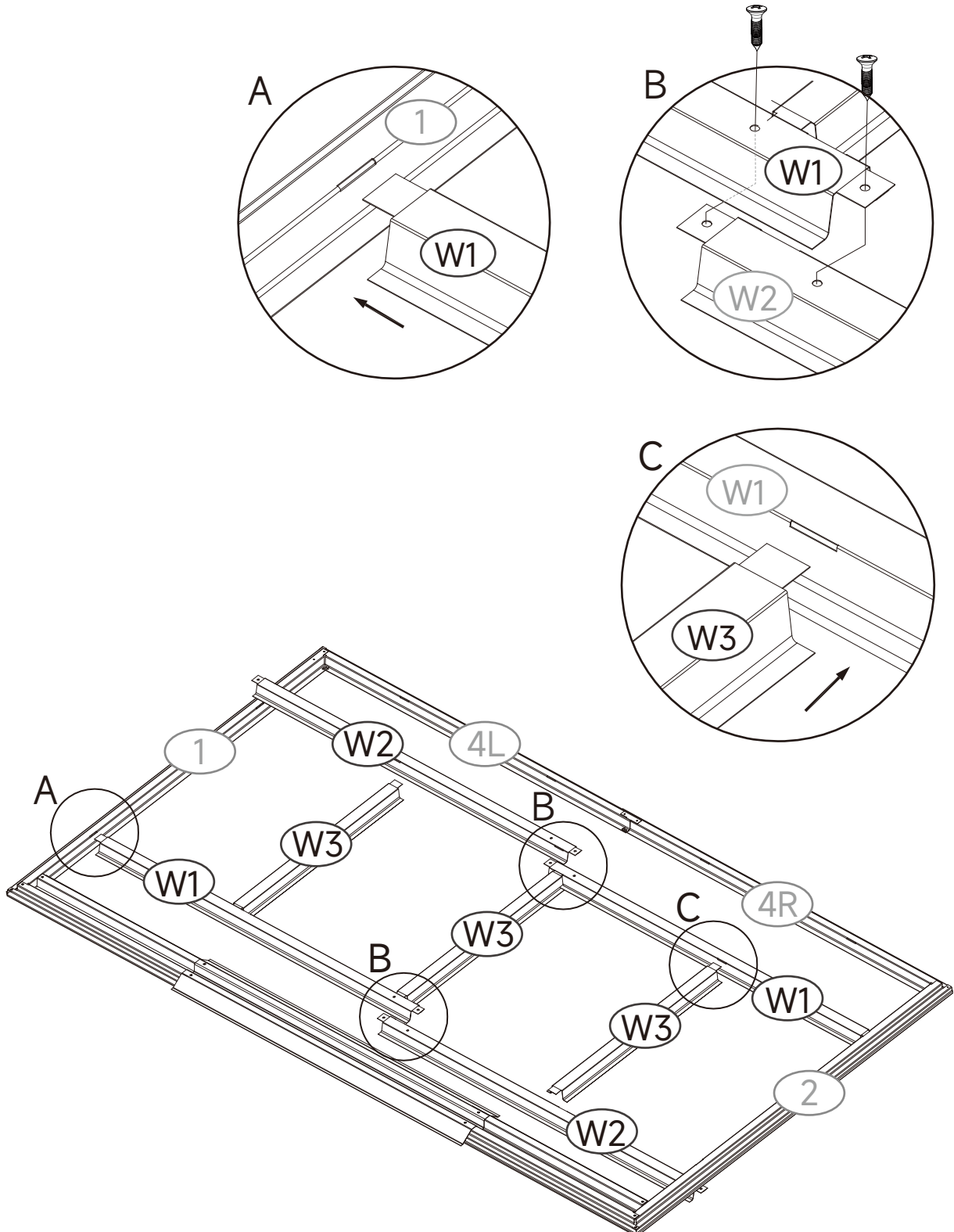
NO	PART	QTY
F6		4





STEP 08

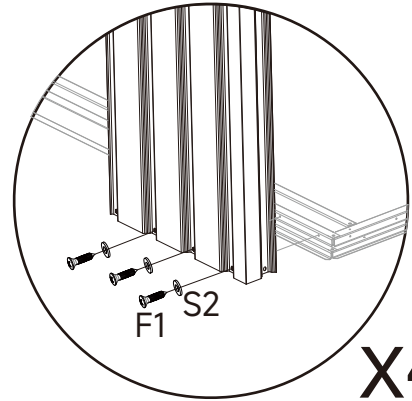
NO	PART	QTY
F1		4

Note: In the next steps, the marking of W1 , W2 , W3 and F6 will be temporarily concealed.

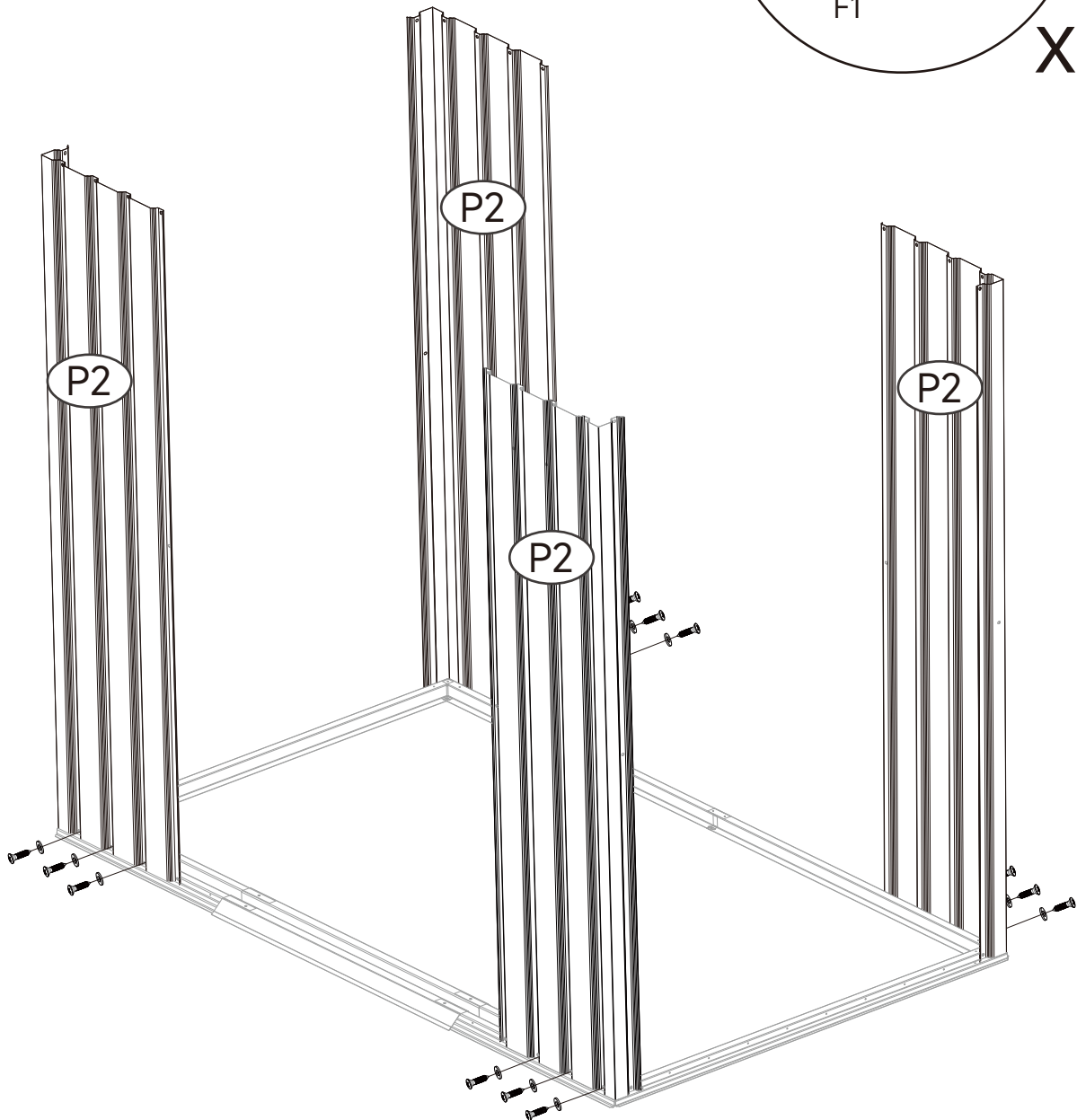


STEP 09



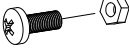
NO	PART	QTY
F1		12
S2		12

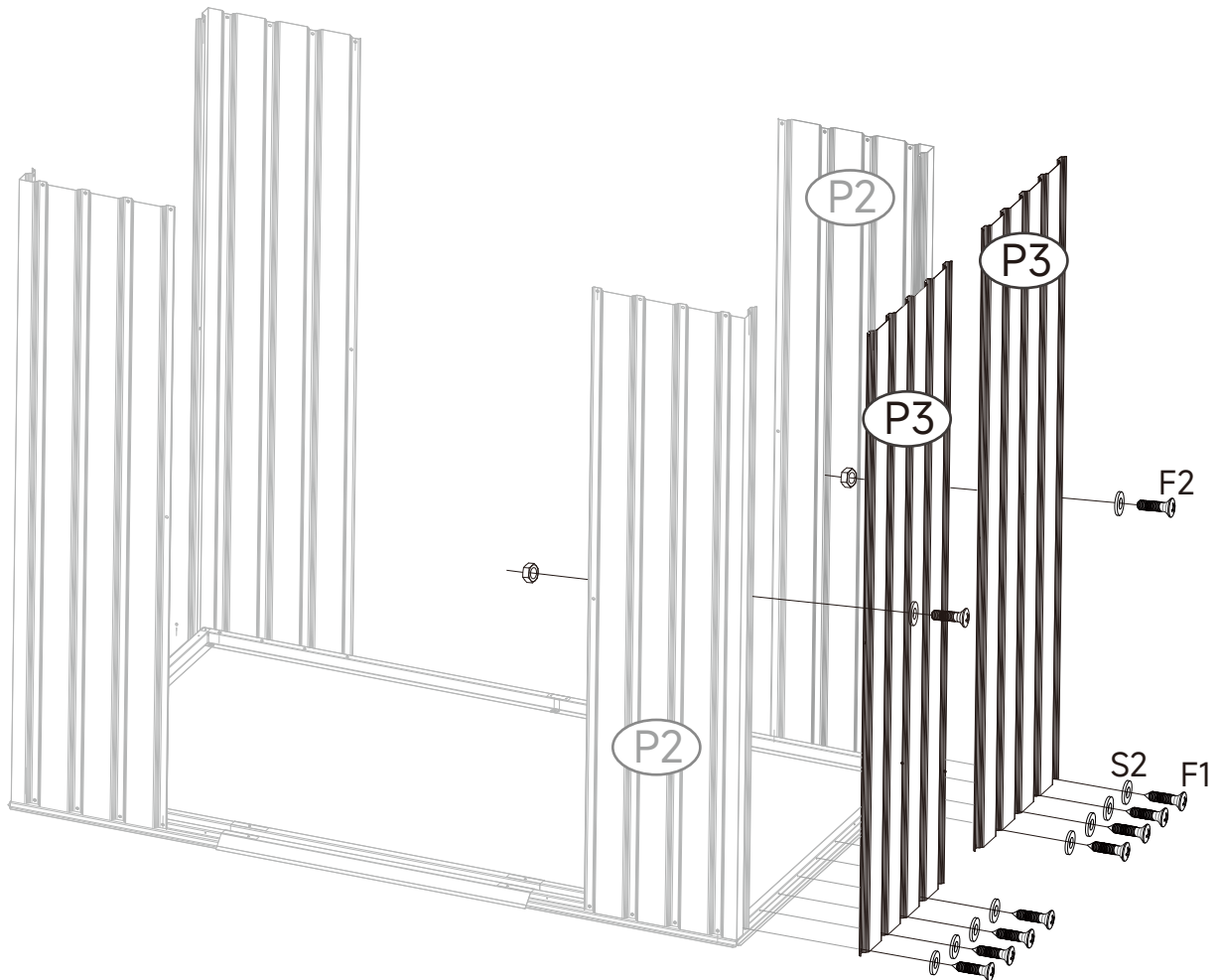
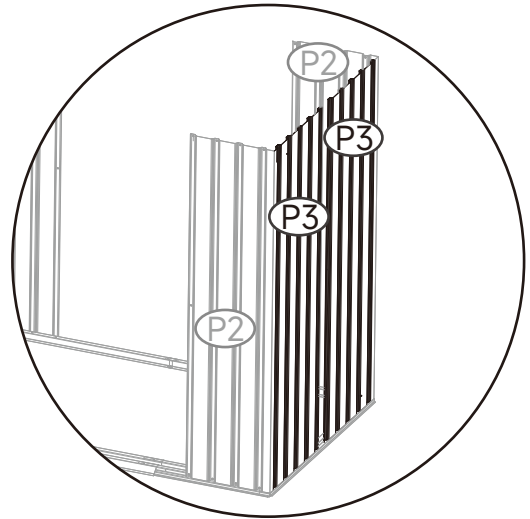


x4






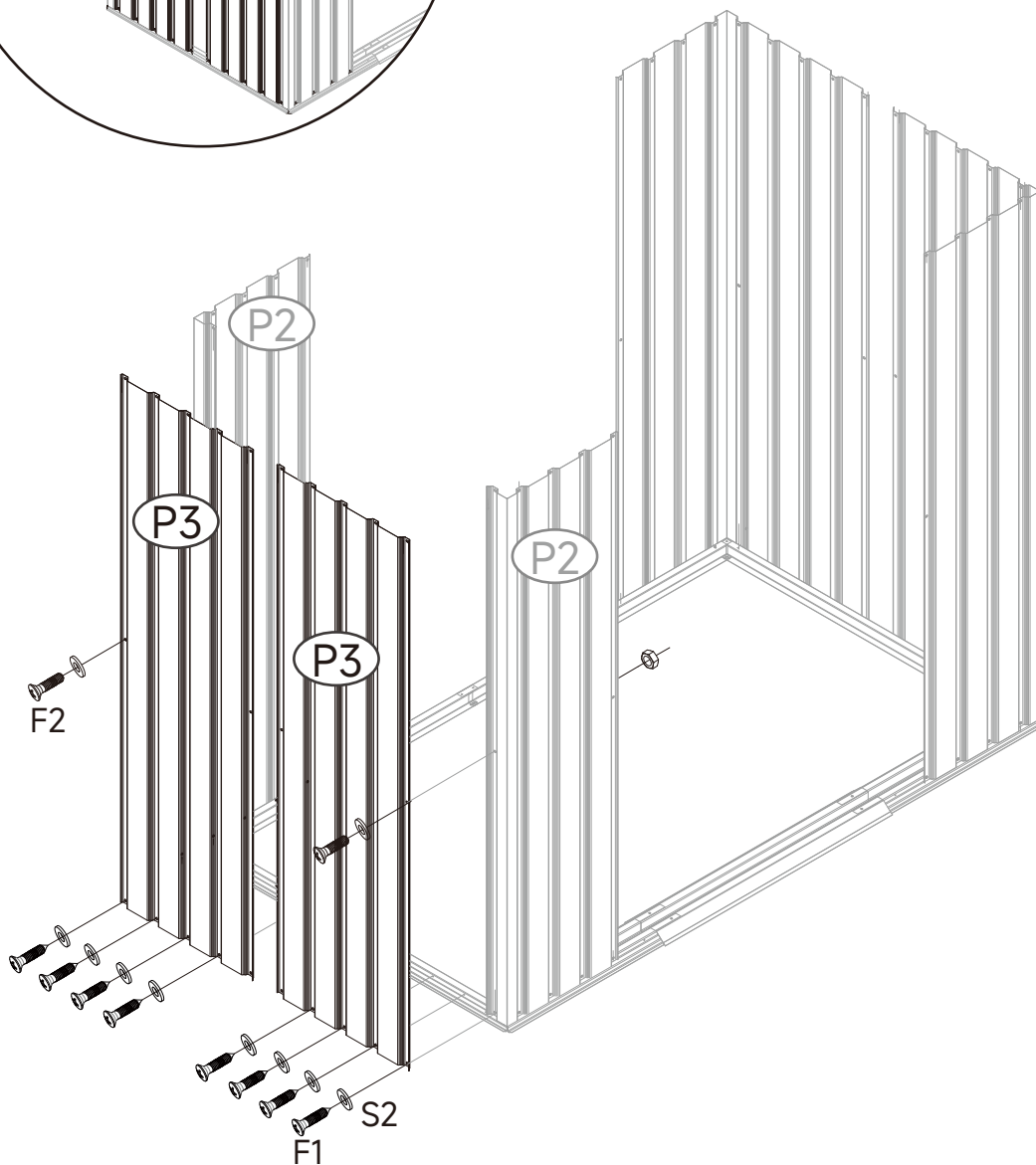
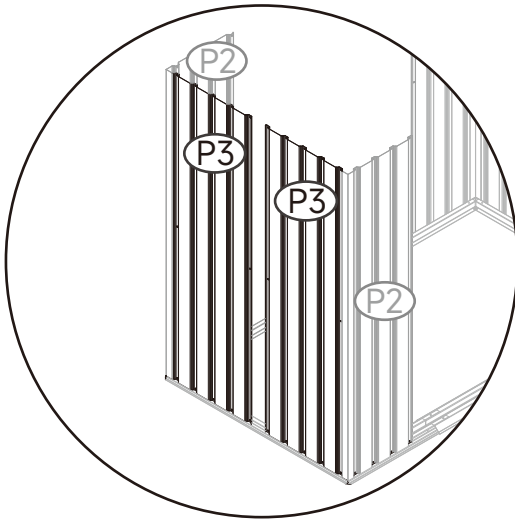
STEP 10

NO	PART	QTY
F1		8
S2		10
F2		2





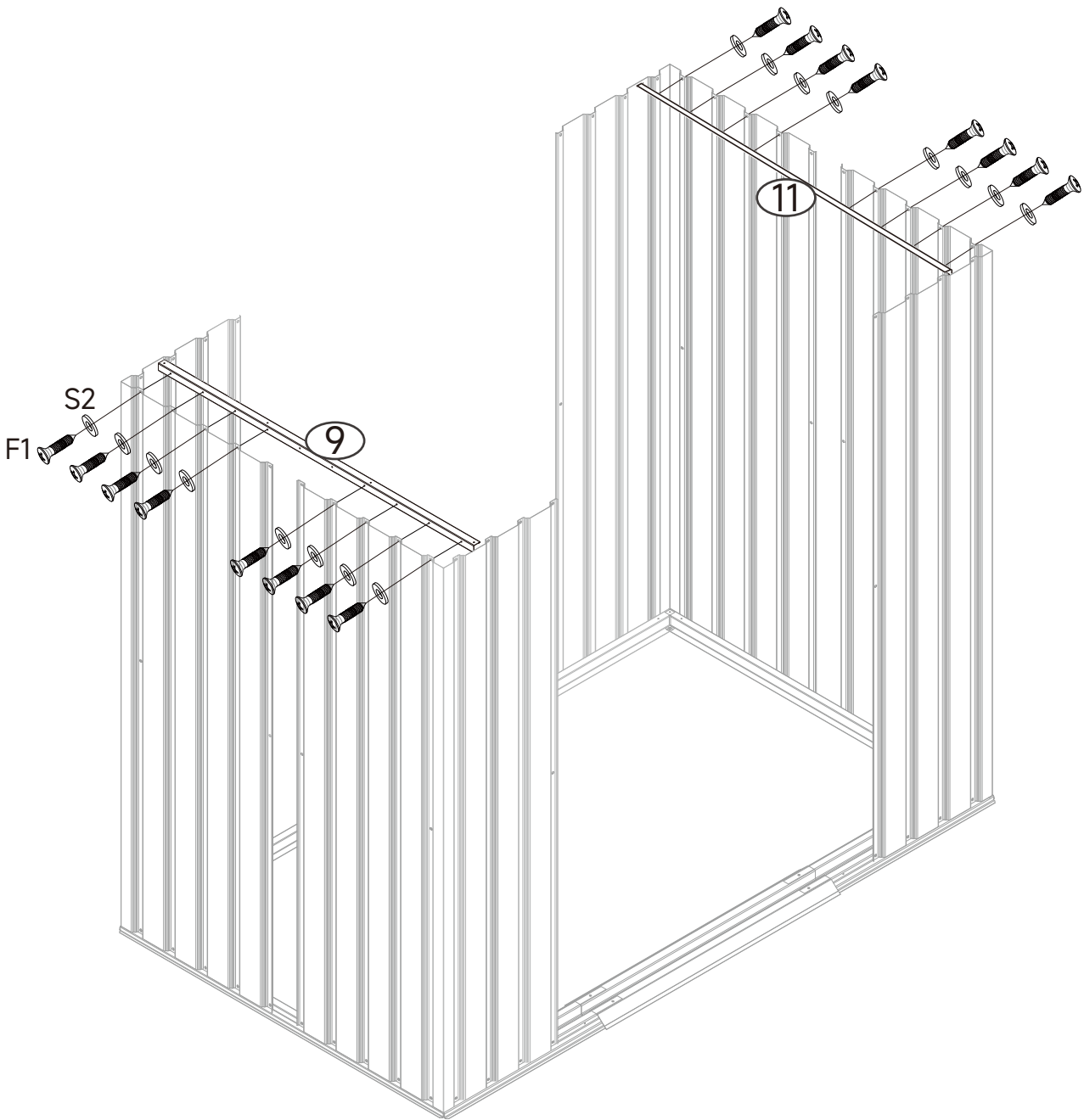
STEP 11

NO	PART	QTY
F1		8
S2		10
F2		2





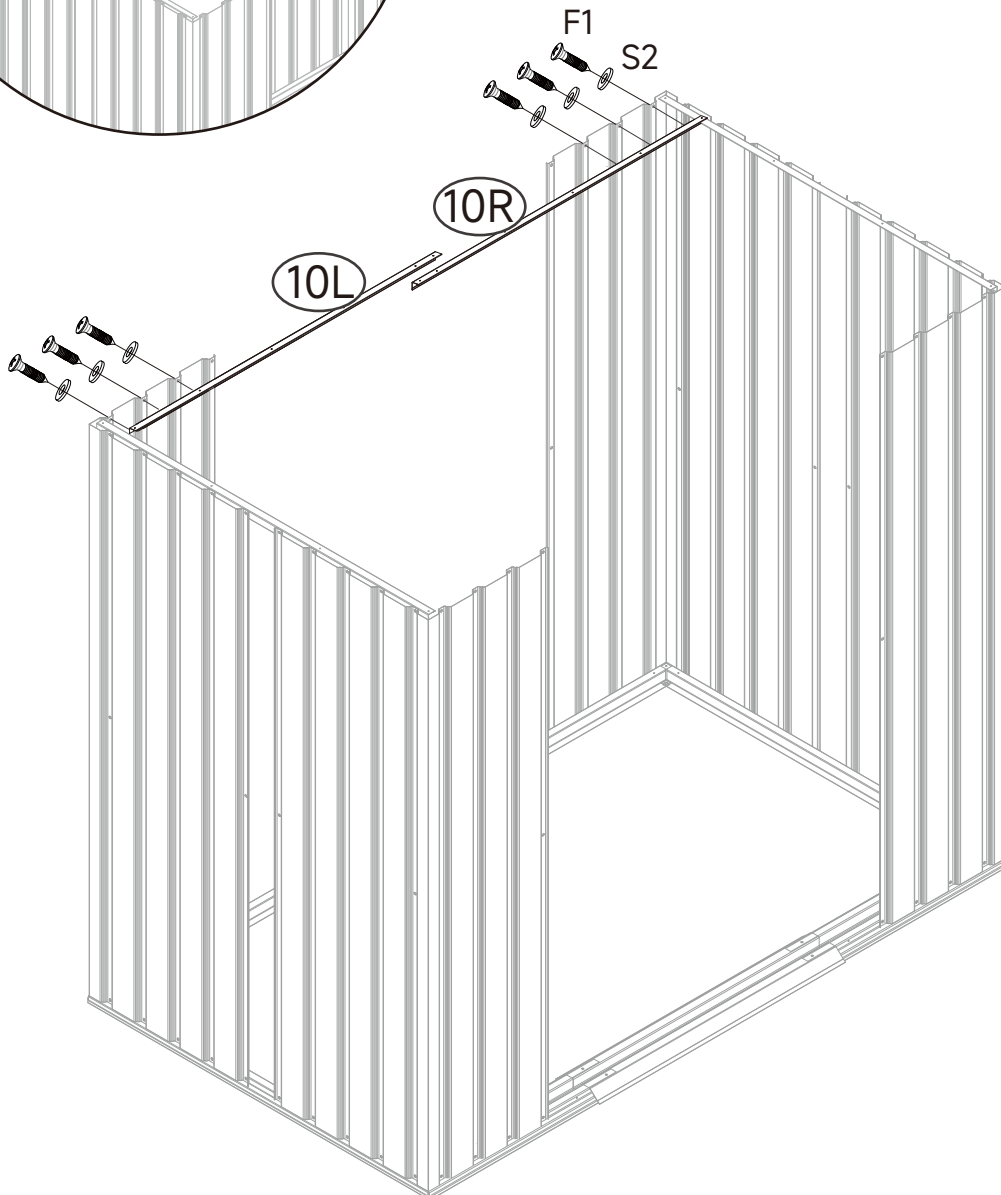
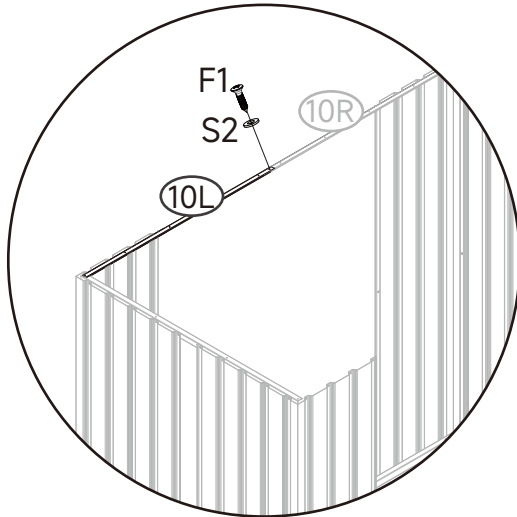
STEP 12

NO	PART	QTY
F1		16
S2		16






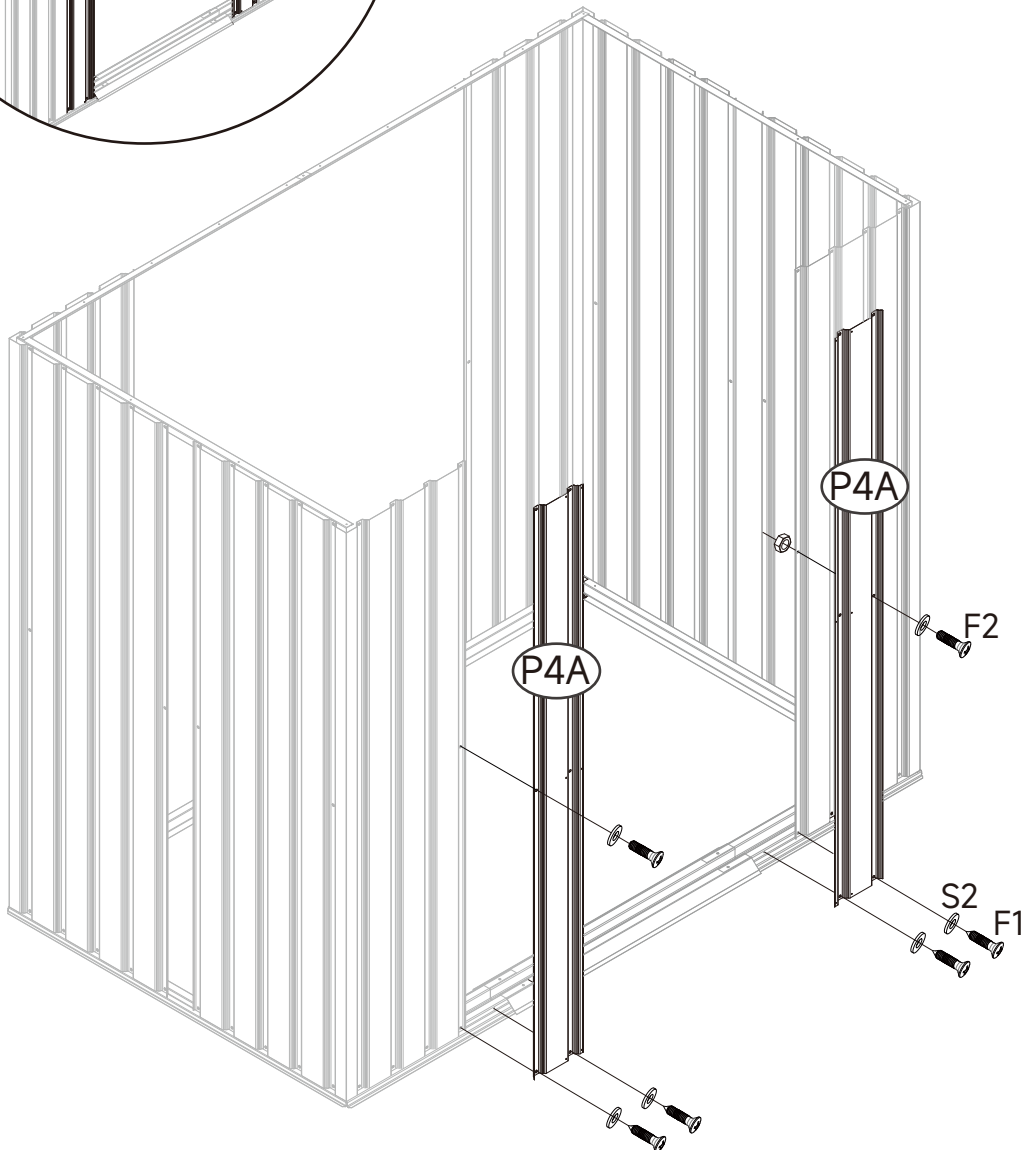
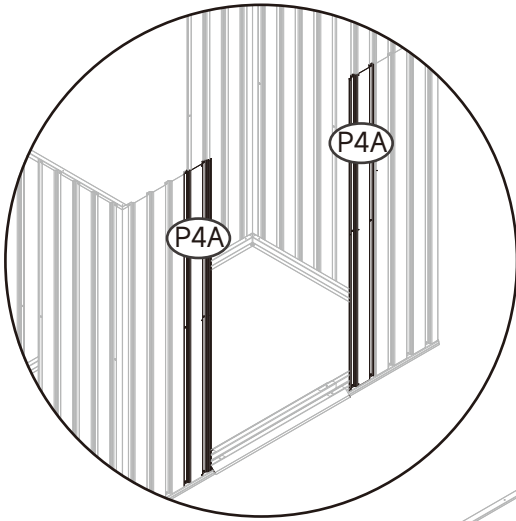
STEP 13

NO	PART	QTY
F1		7
V2		7

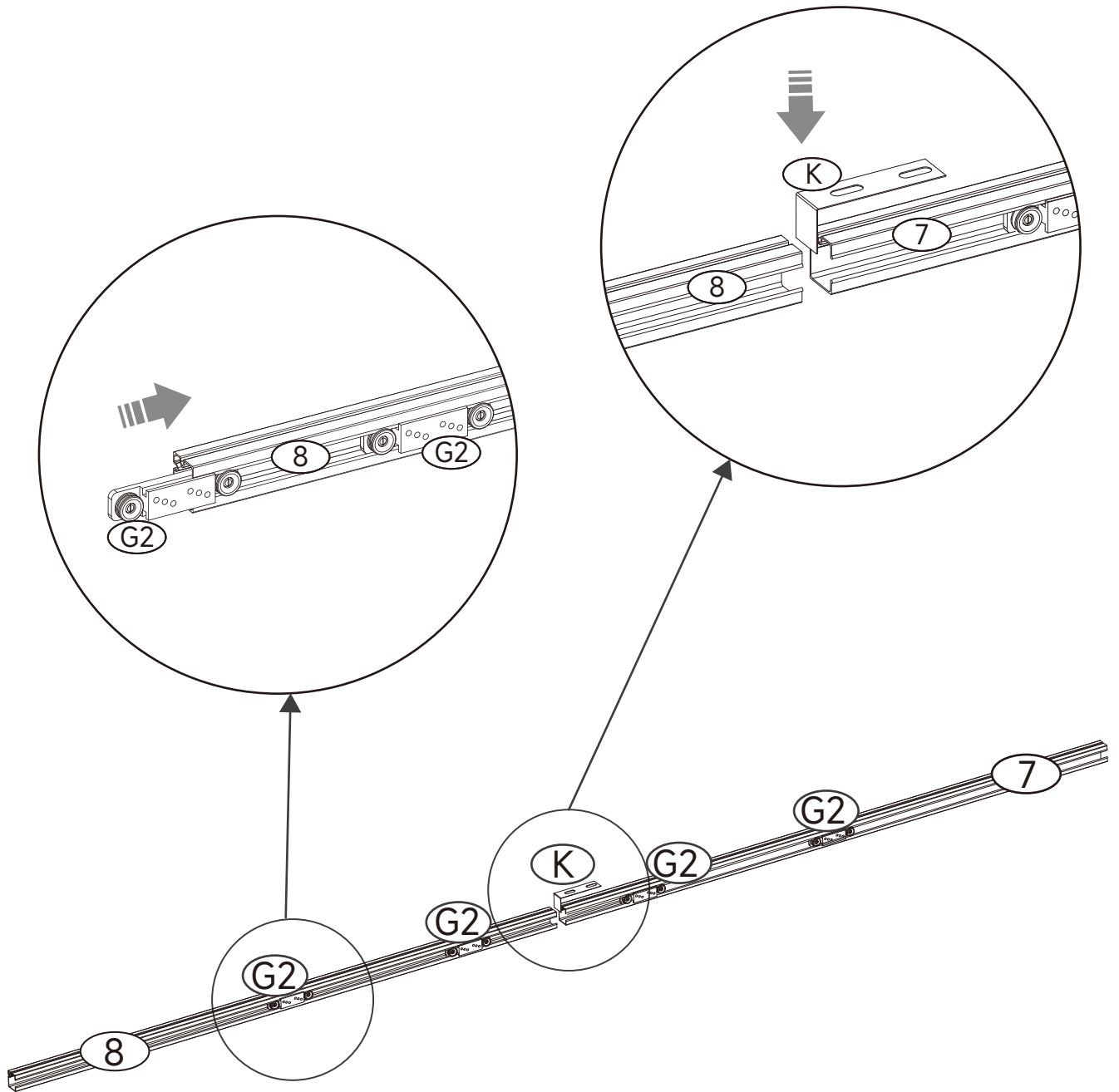


STEP 14

NO	PART	QTY
F1		4
S2		6
F2		2

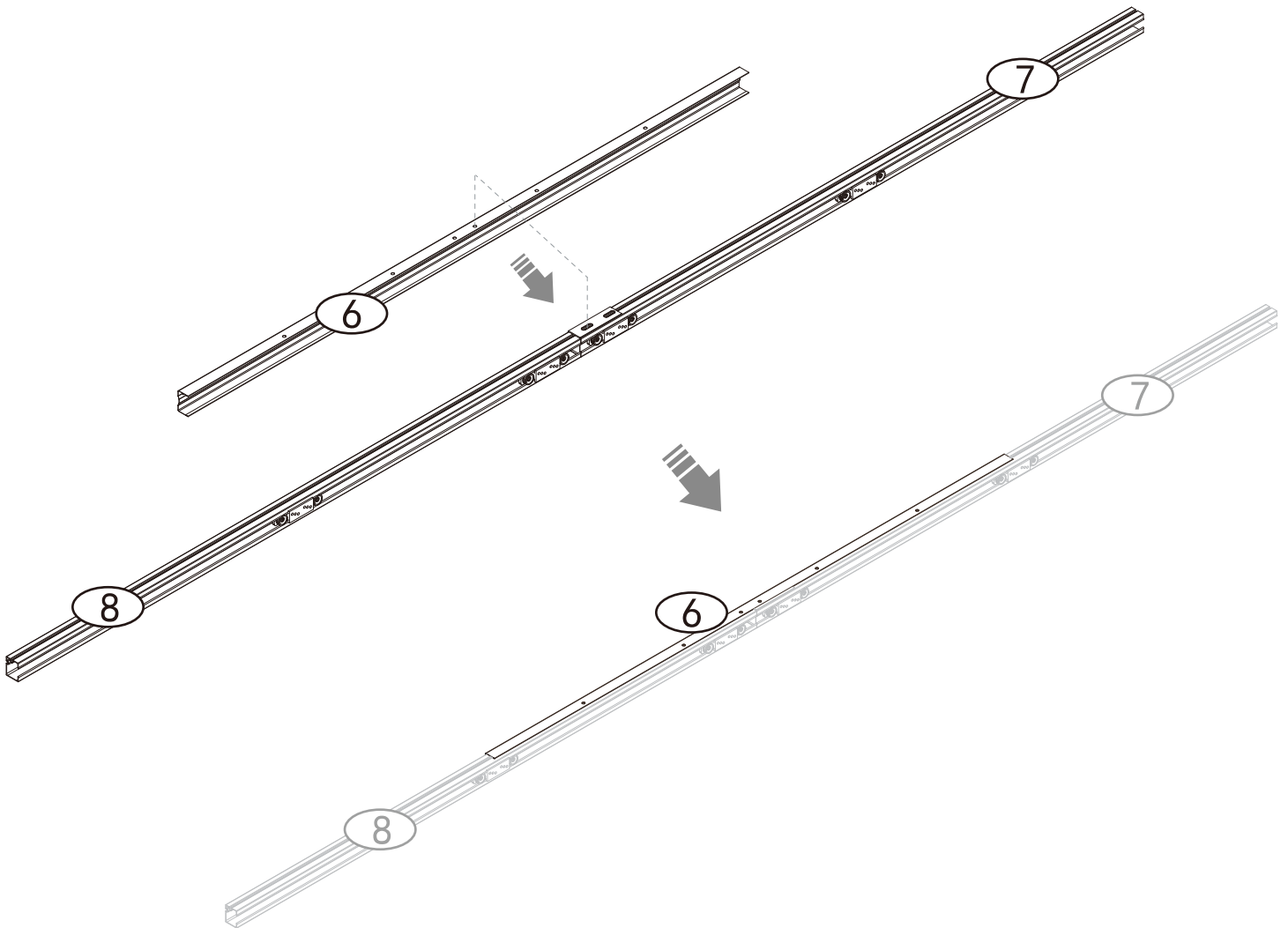


STEP 15





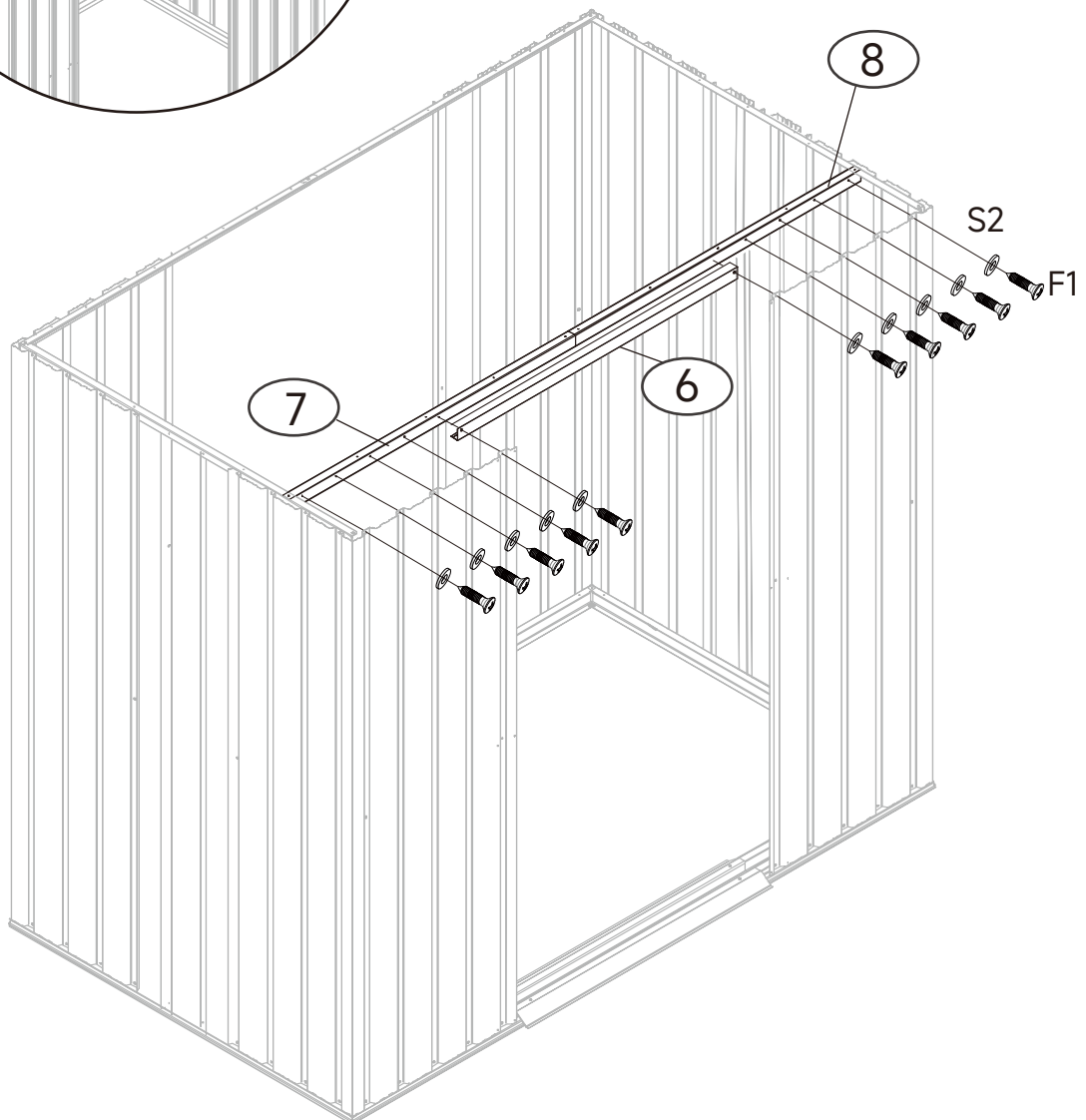
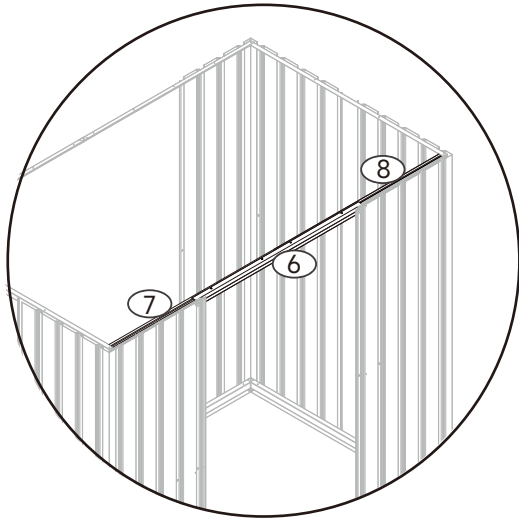
STEP 16

Note: Align the positions of the hole on 7/8 and snap them together.






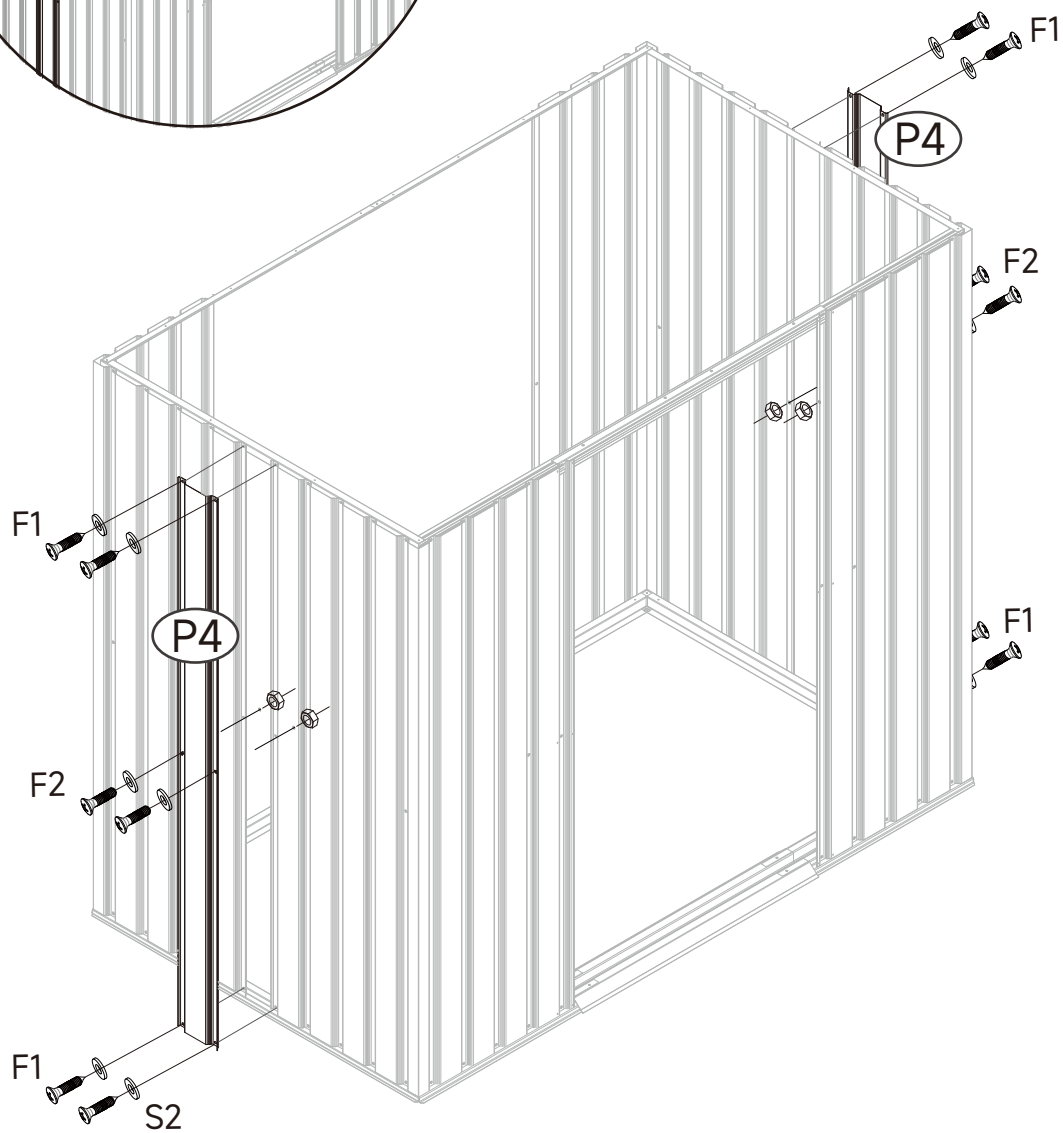
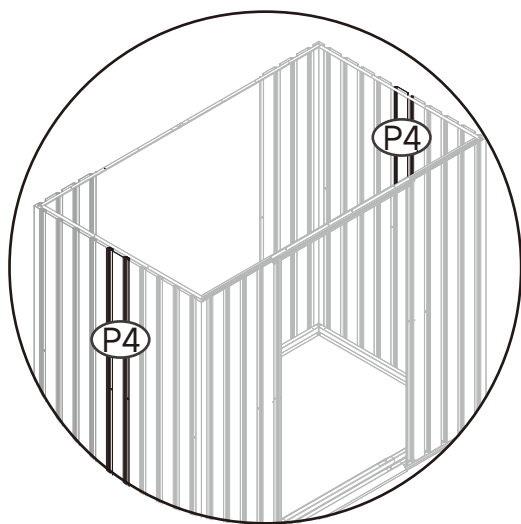
STEP 17

NO	PART	QTY
F1		10
S2		10






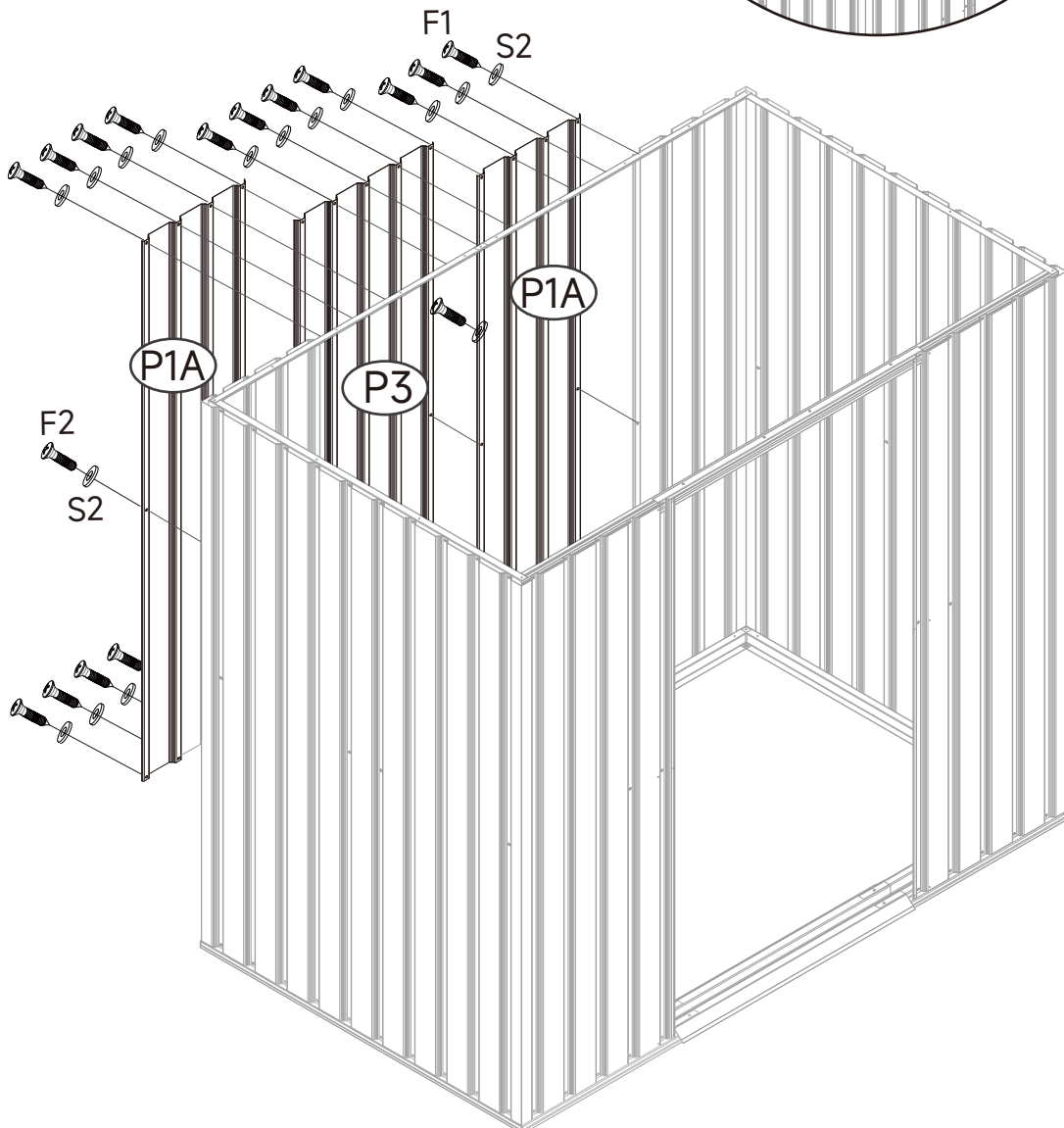
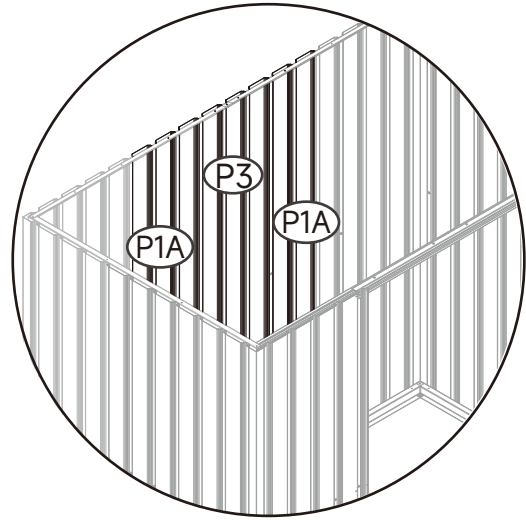
STEP 18

NO	PART	QTY
F1		8
S2		12
F2		4





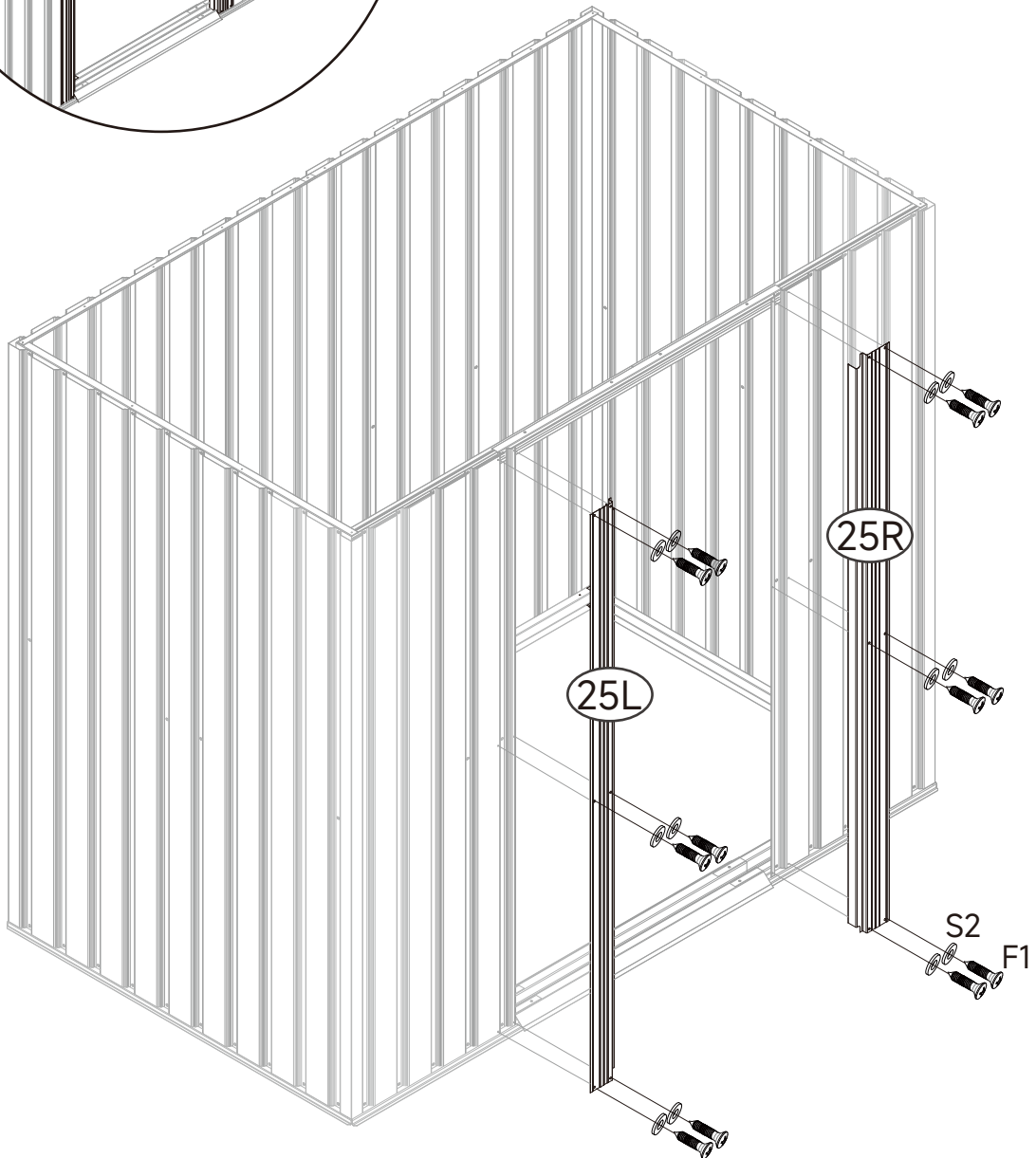
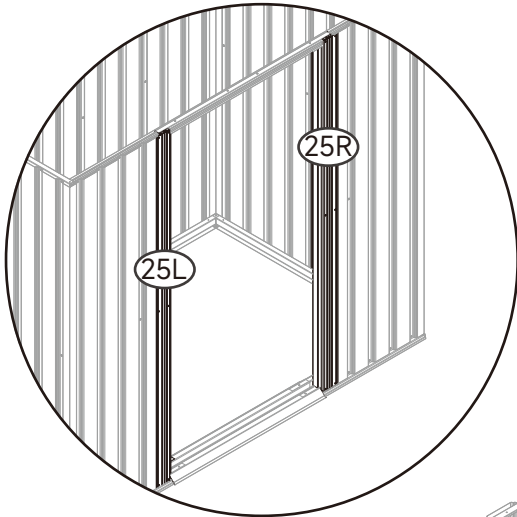
STEP 19

NO	PART	QTY
F1		22
S2		26
F2		4





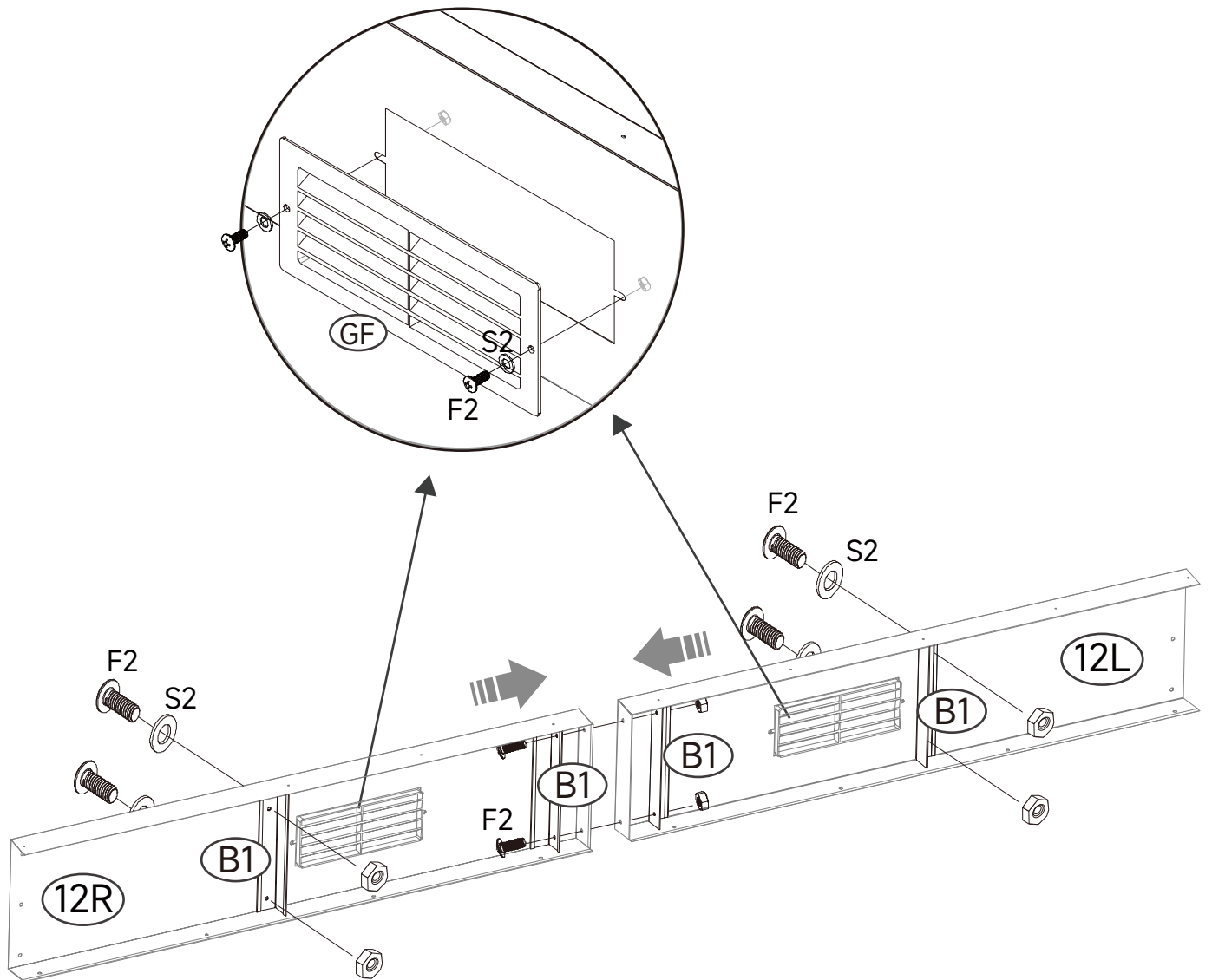
STEP 20

NO	PART	QTY
F1		12
S2		12





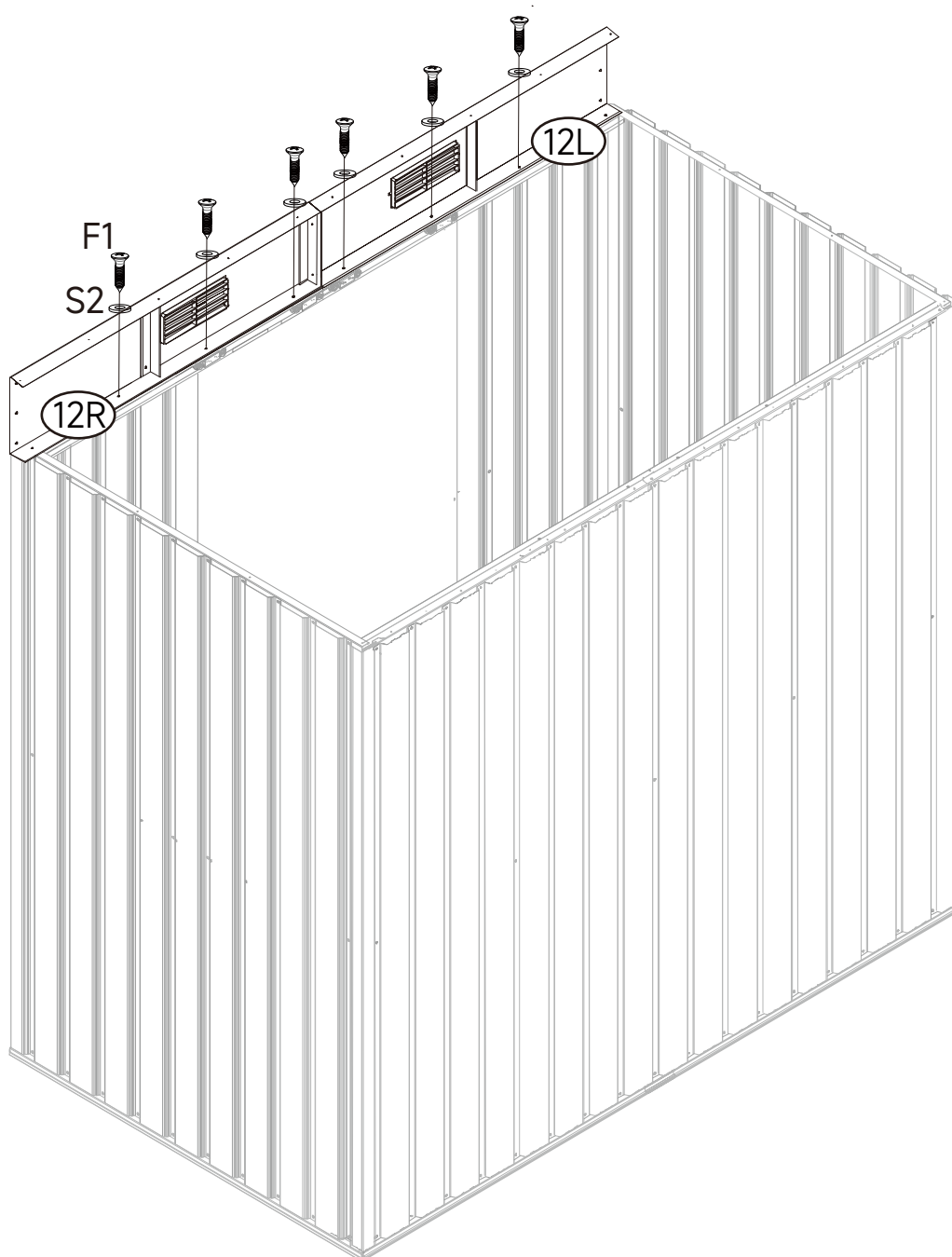
STEP 21

NO	PART	QTY
F2		10
S2		8





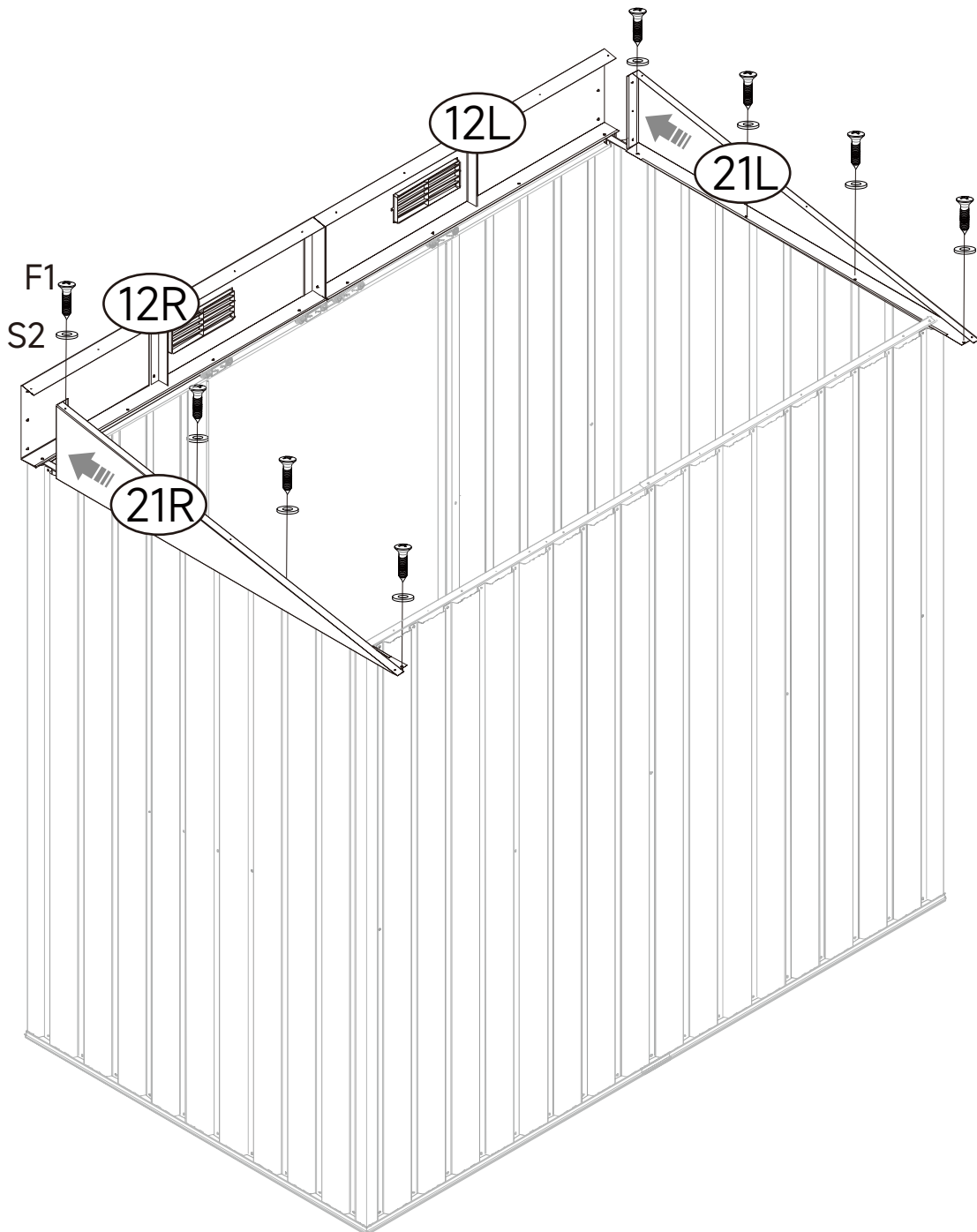
STEP 22

NO	PART	QTY
F1		6
S2		6

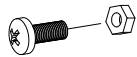



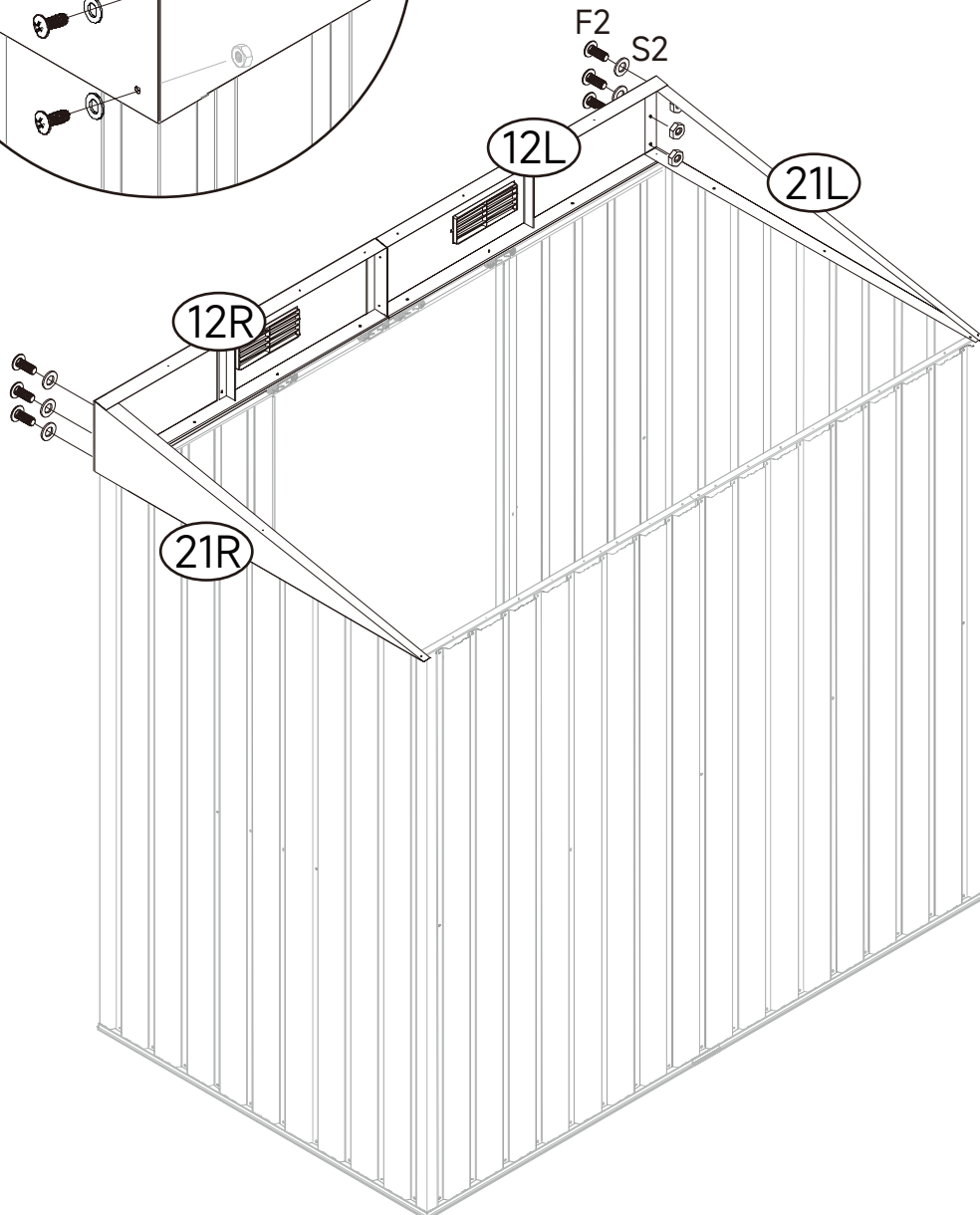
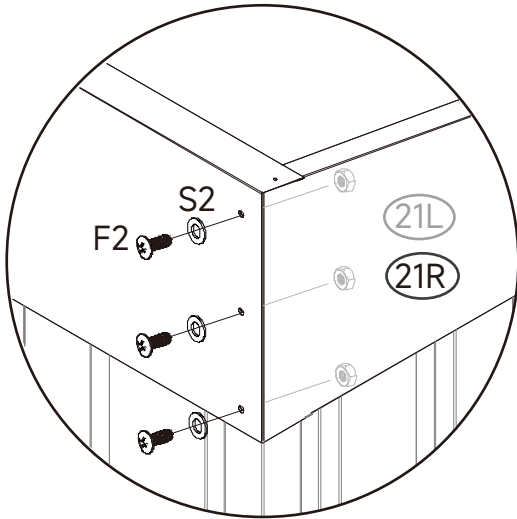
STEP 23

NO	PART	QTY
F1		8
S2		8





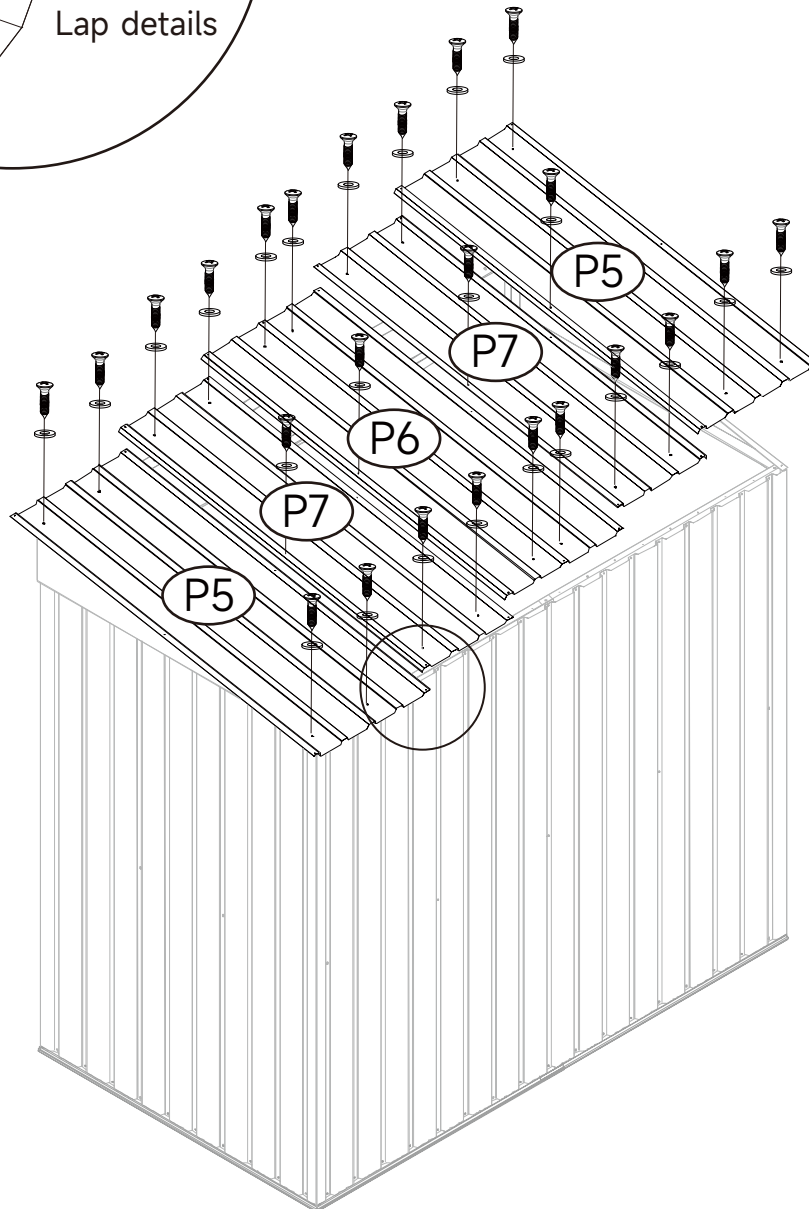
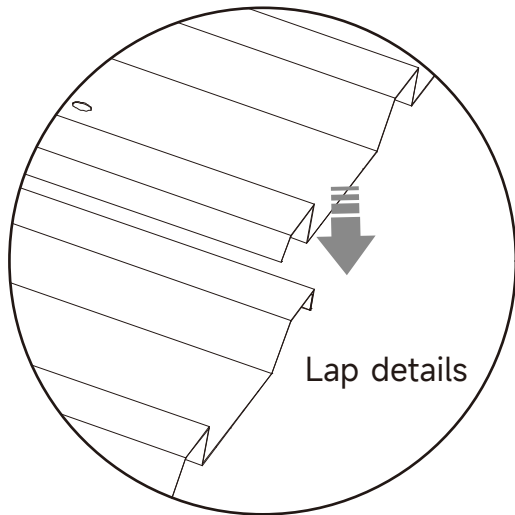
STEP 24

NO	PART	QTY
F2		6
S2		6





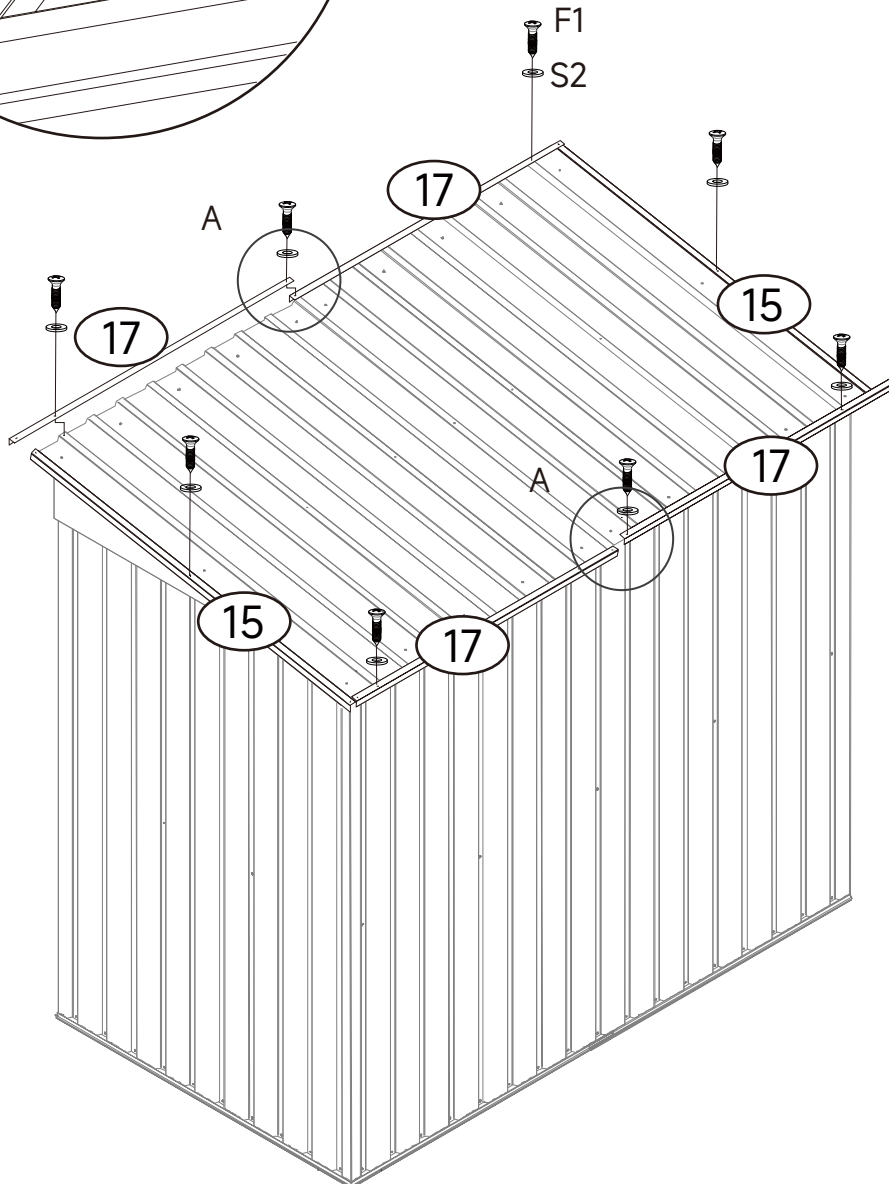
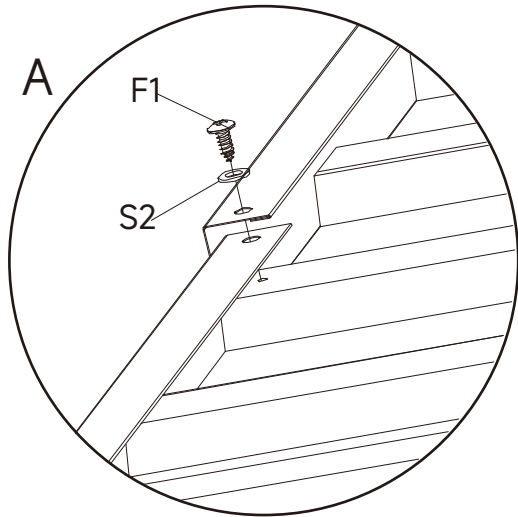
STEP 25

NO	PART	QTY
F1		24
S2		24




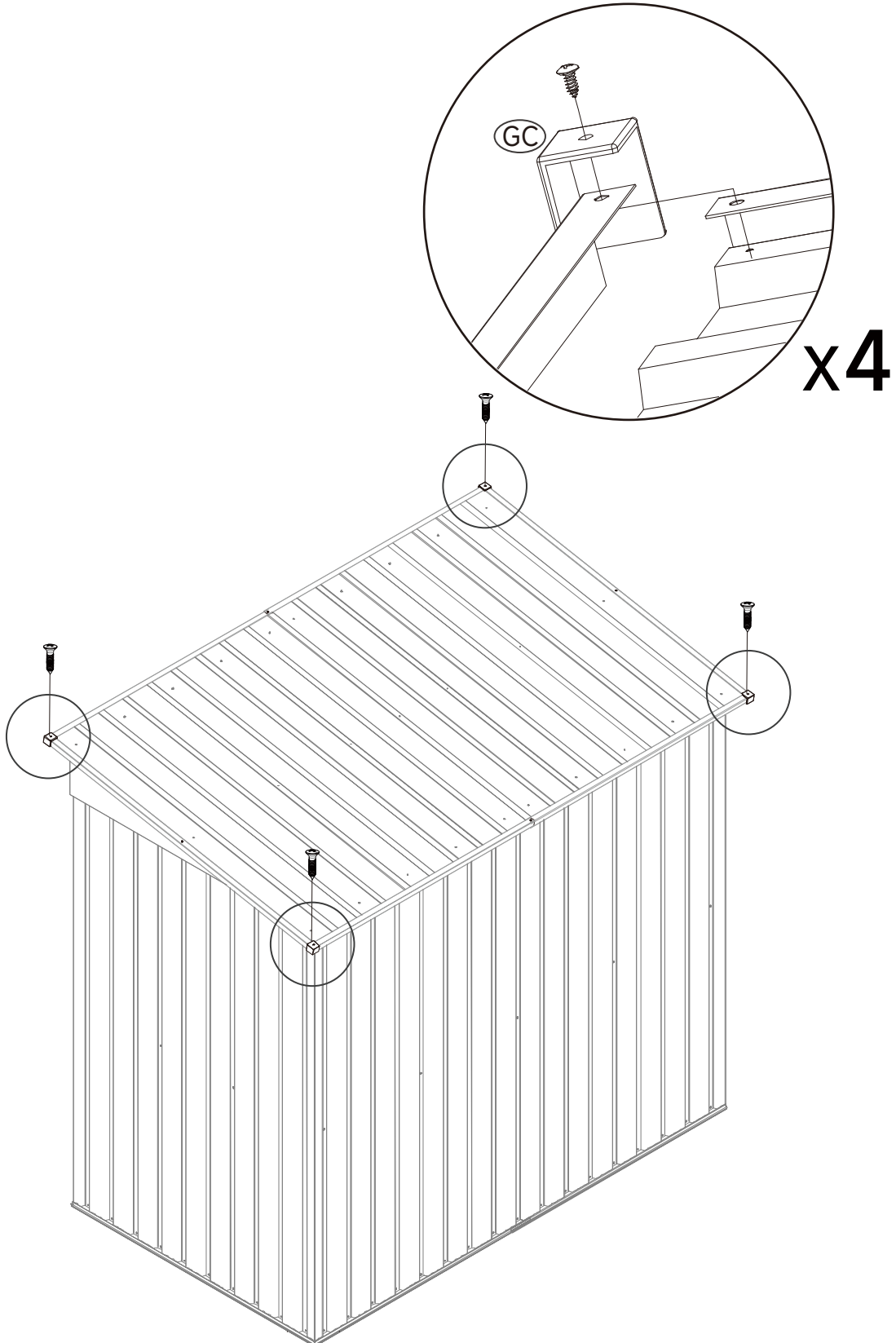
STEP 26

NO	PART	QTY
F1		8
S2		8





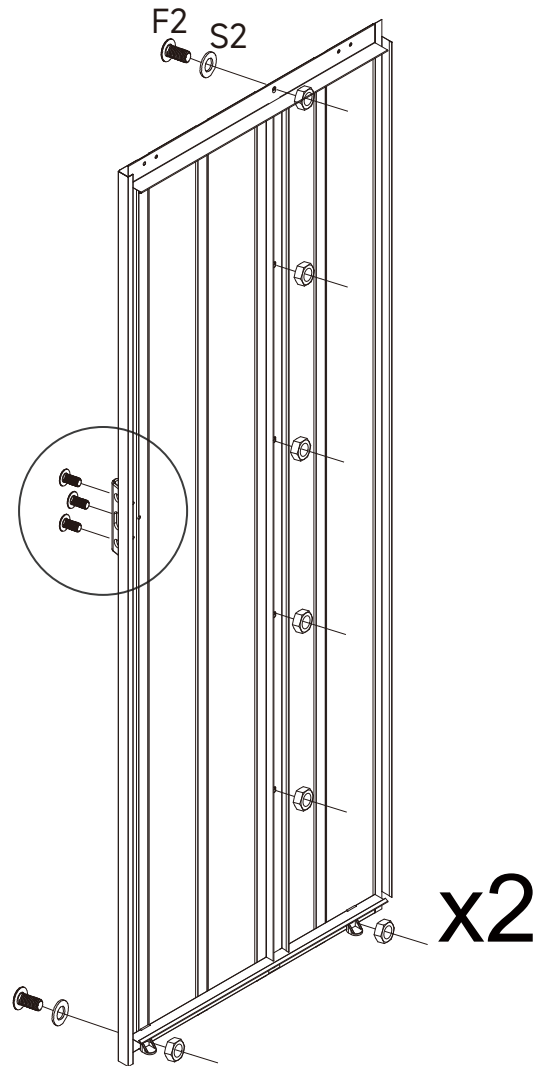
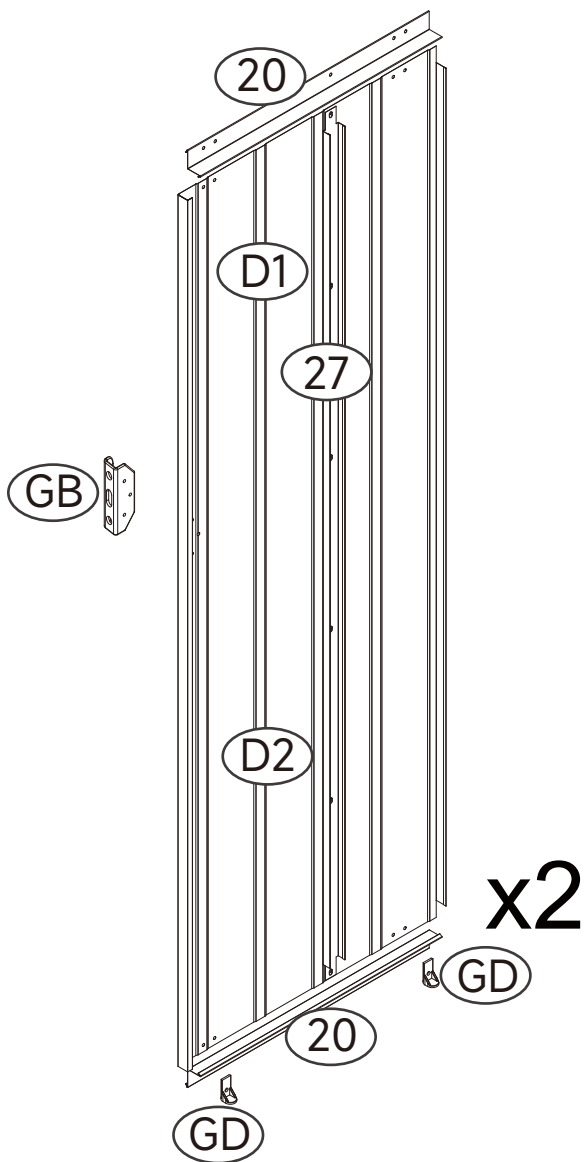
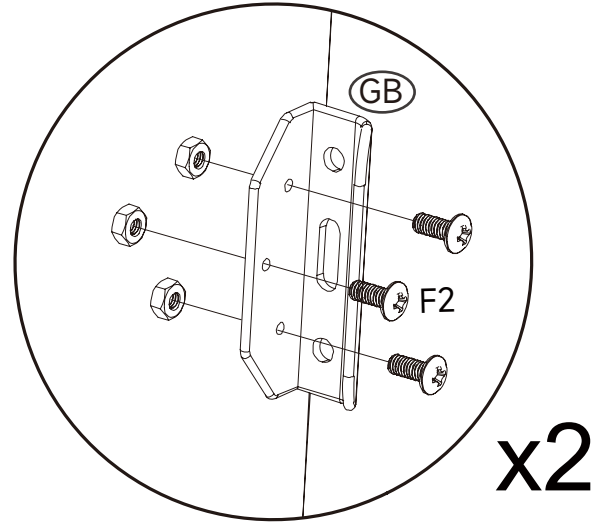
STEP 27

NO	PART	QTY
F1		4

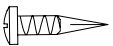


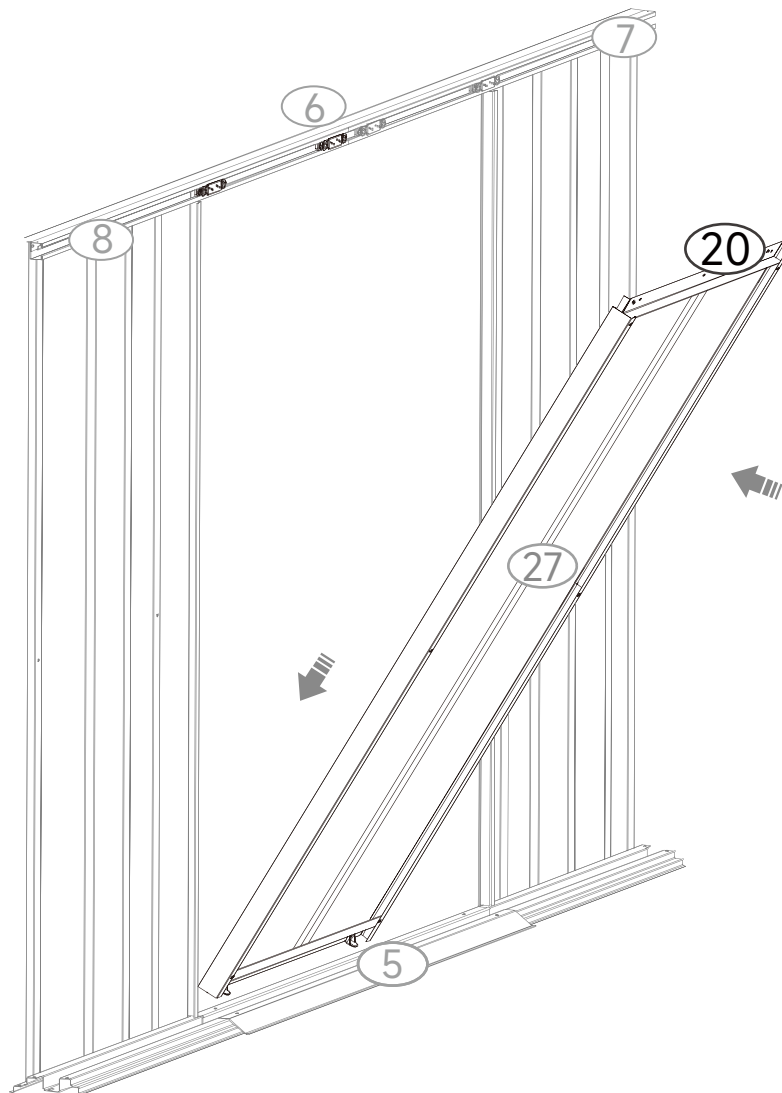
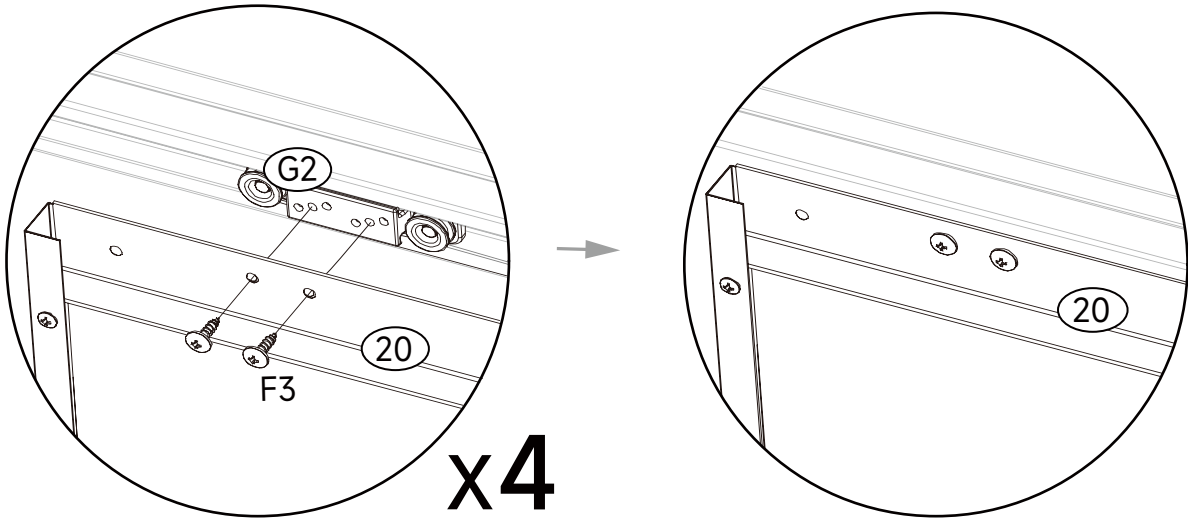
STEP 28

NO	PART	QTY
F2		20
S2		14




STEP 29

NO	PART	QTY
F3		8



STEP 30

NO	PART	QTY
S1		108

