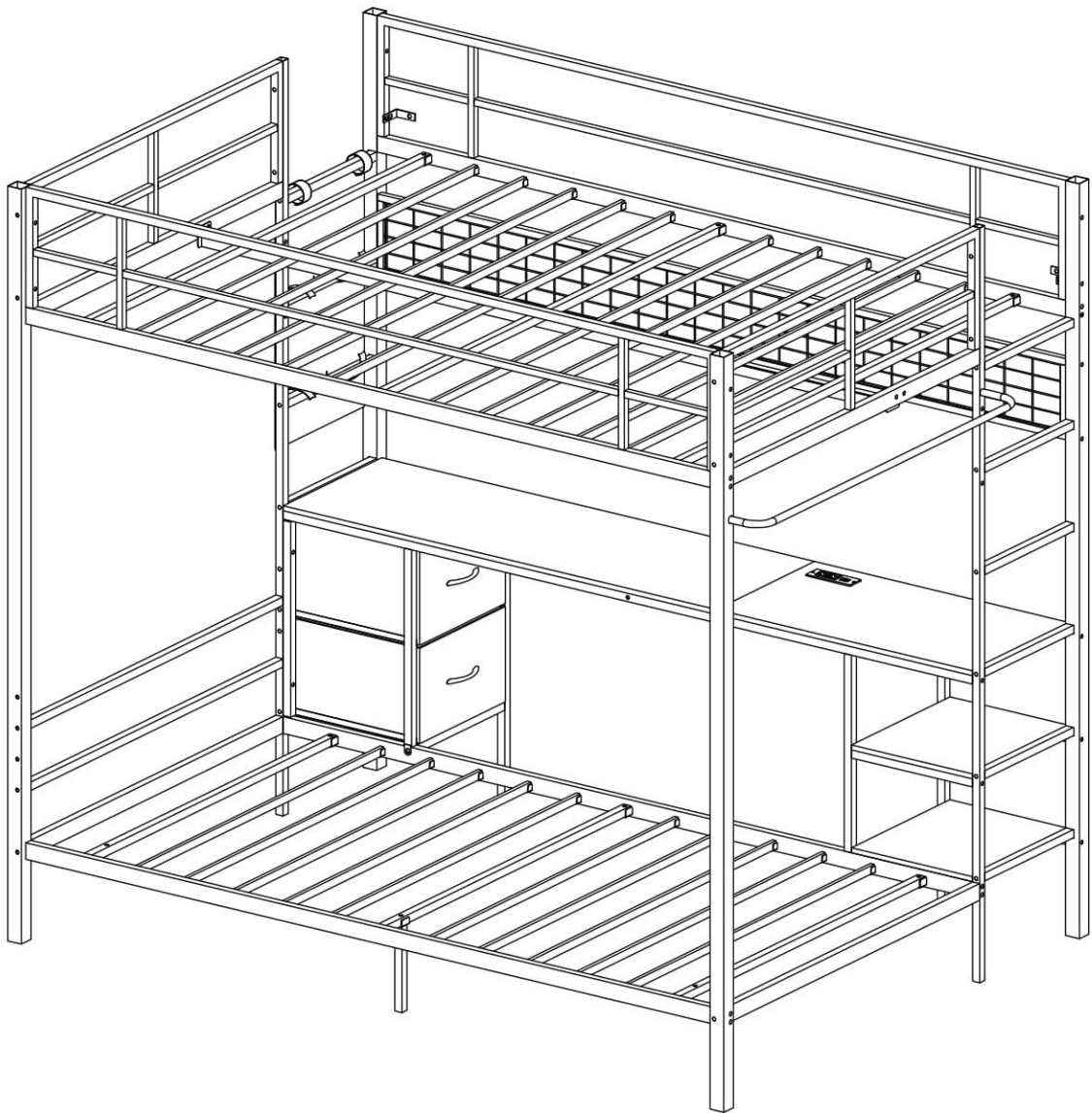
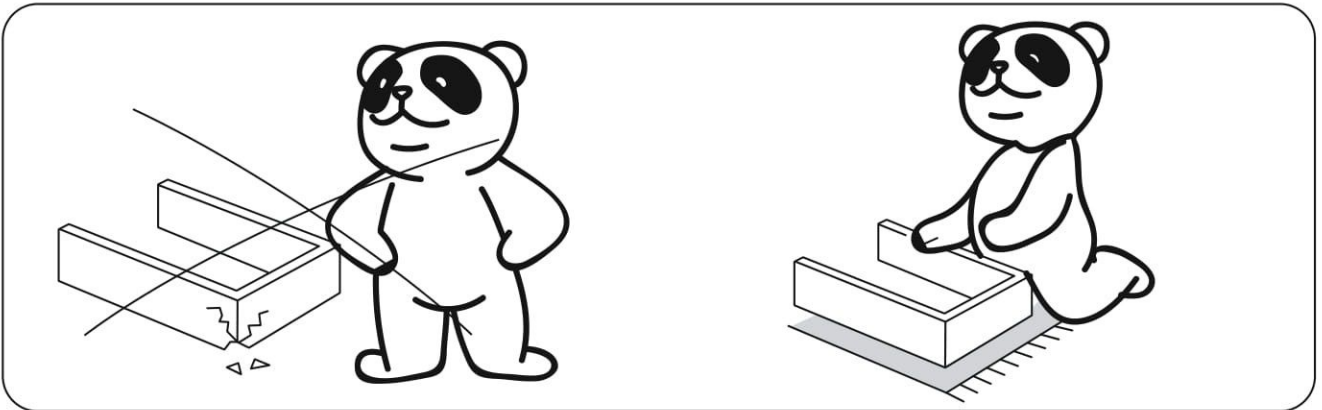
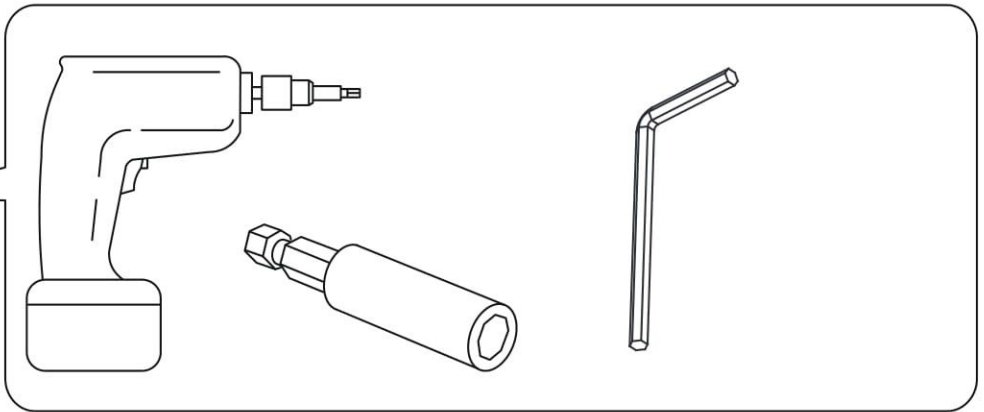
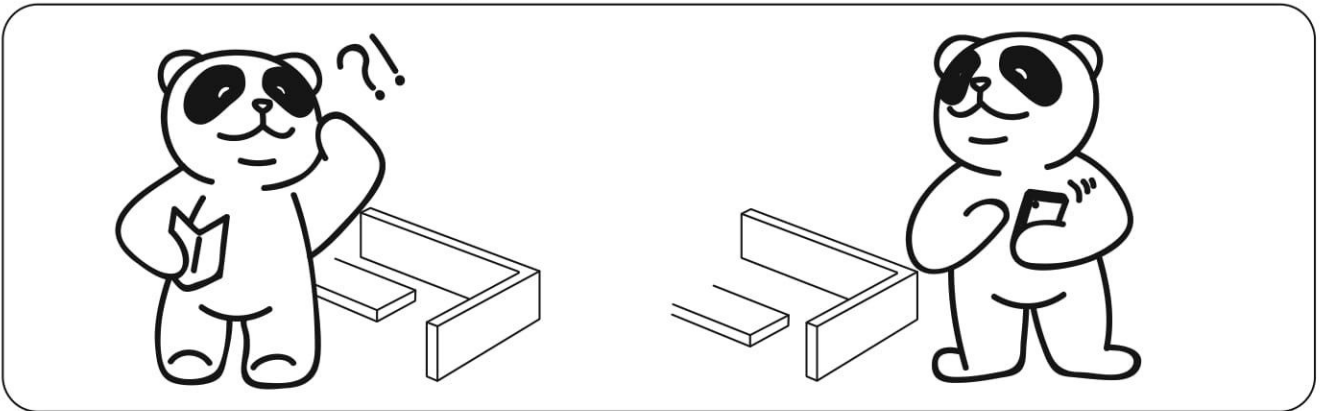


# Loft Bed

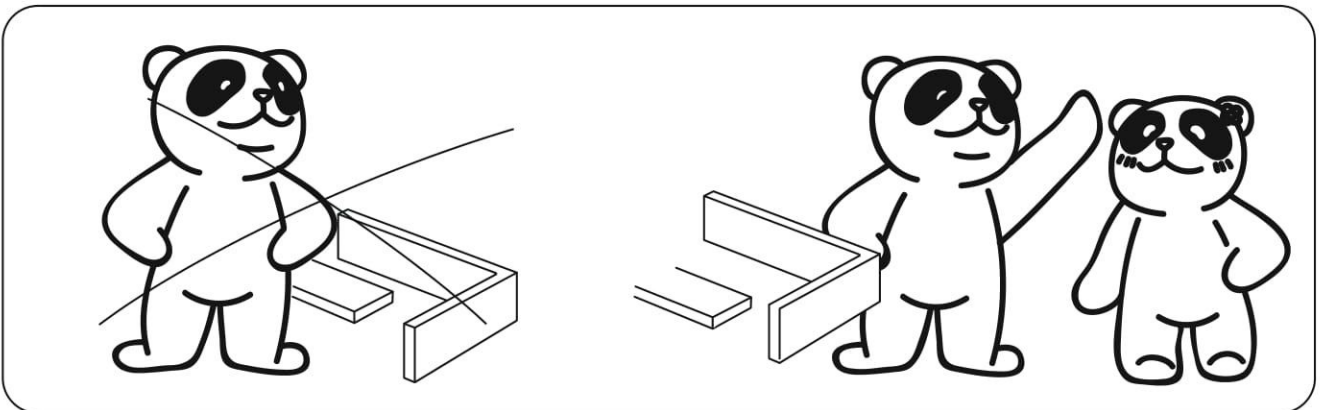




Violent installation is prohibited



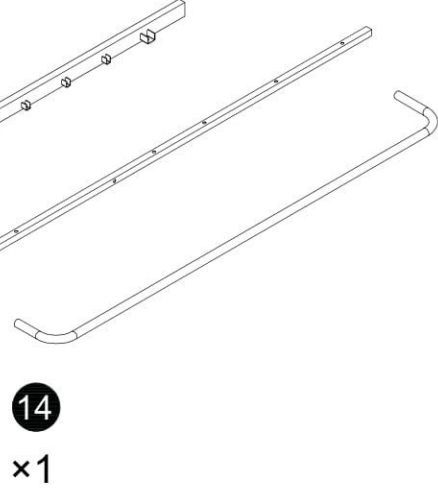
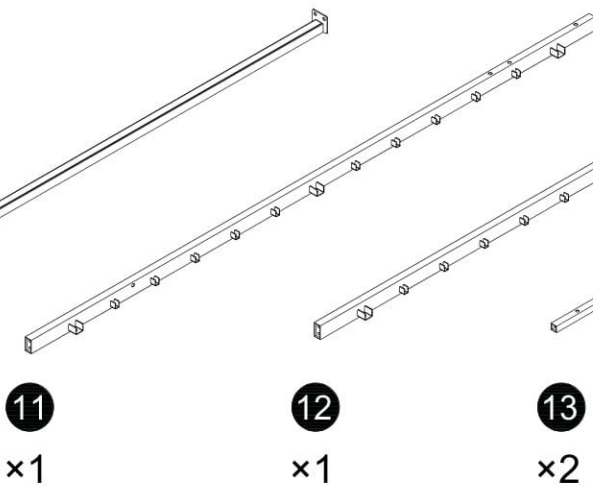
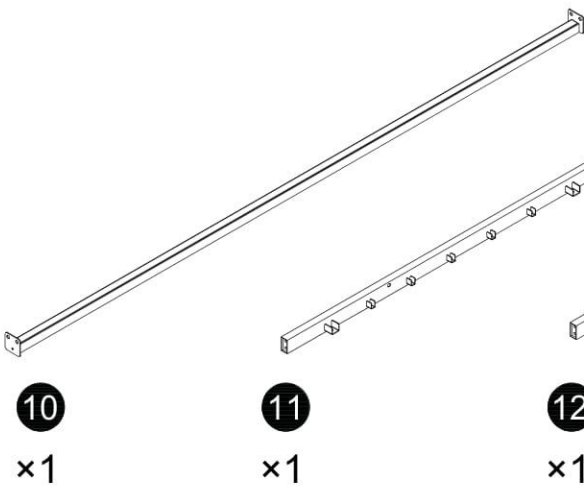
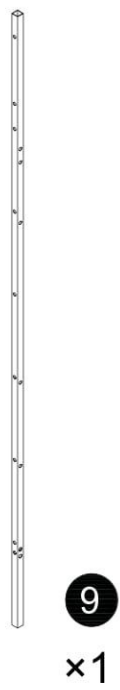
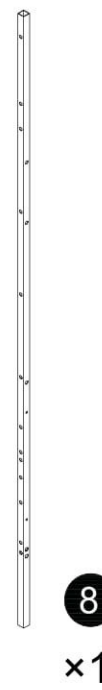
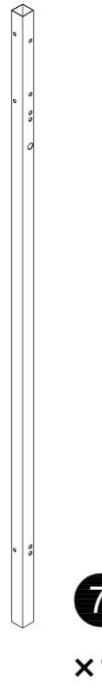
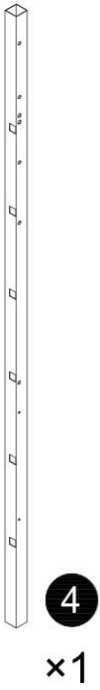
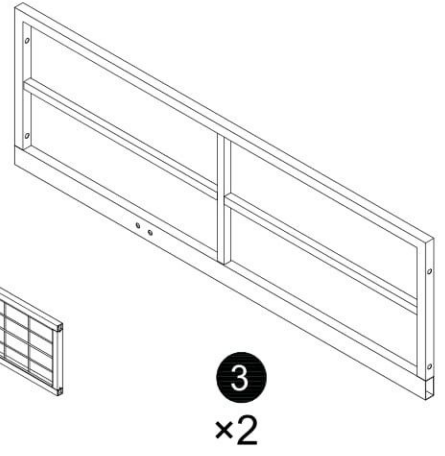
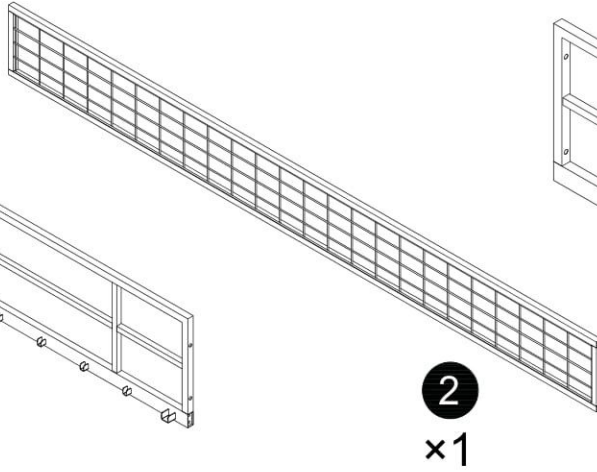
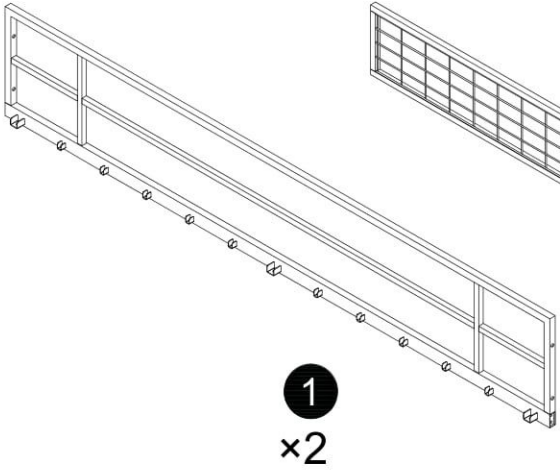
Please call if you need help



Multi-person cooperation is recommended

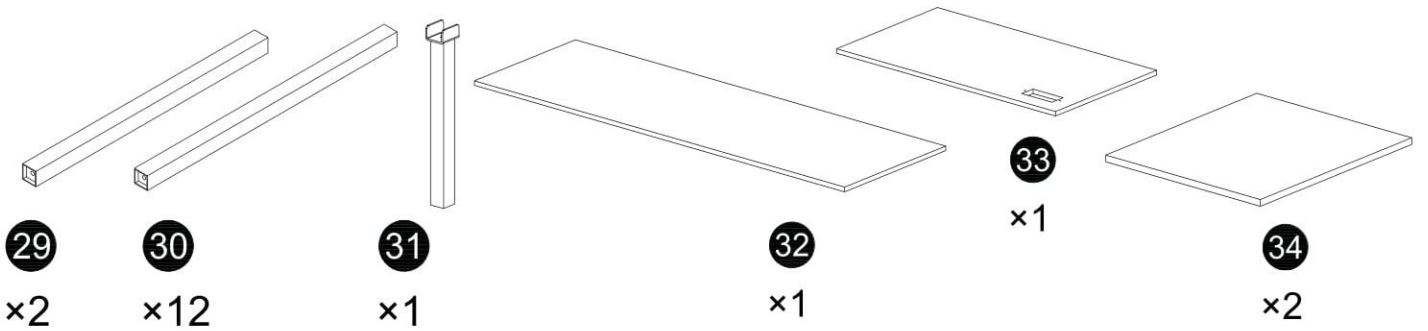
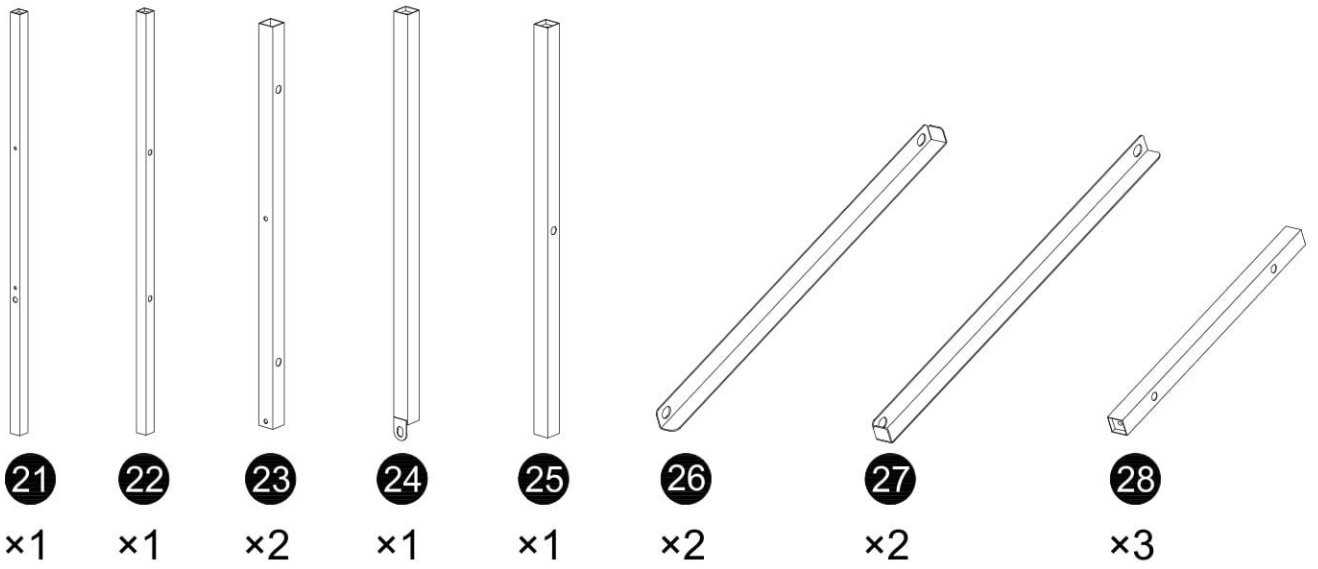
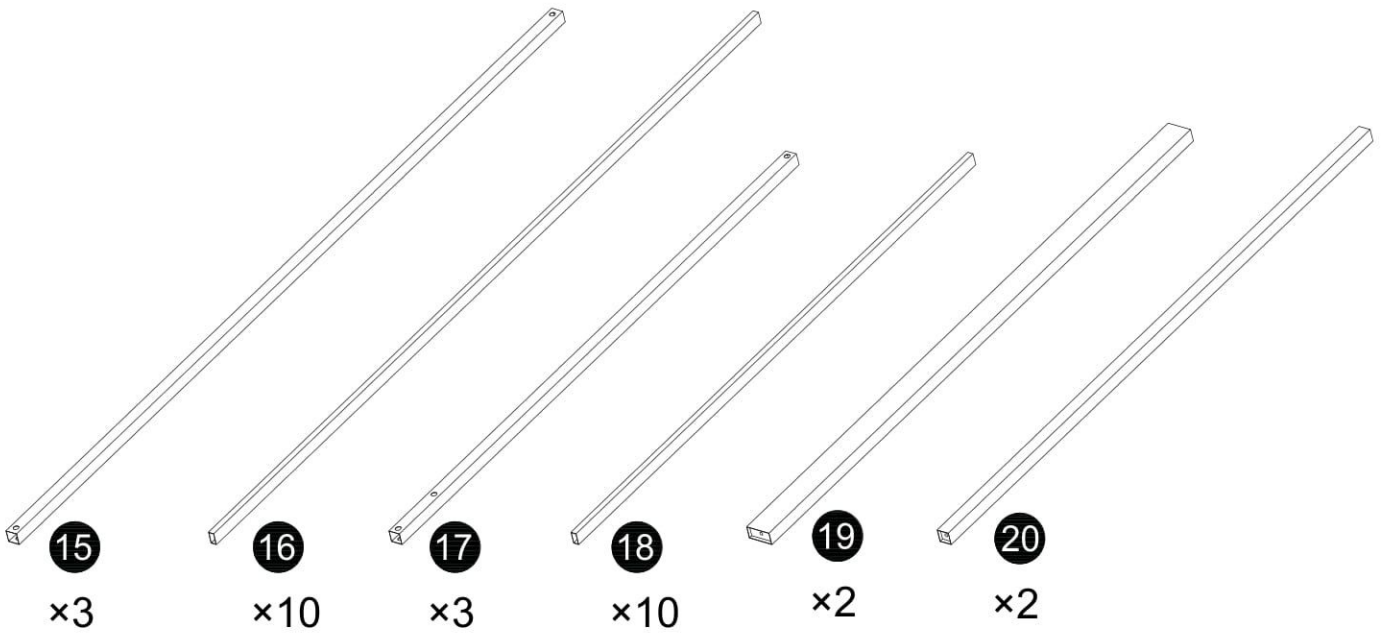
# Install parts

## PARTS LIST A



# Install parts

## PARTS LIST B



# HARDWARE LIST



**A**  
M8\*60  
x12+1



**B**  
M8\*40  
x4



**C**  
M6\*60  
x13+1



**D**  
M6\*50  
x14+1



**E**  
M6\*40  
x32+3



**F**  
M6\*28  
x36+3



**G**  
M6\*25  
x13+1



**H**  
M6\*10  
x4



**I**  
M6\*40  
x4



**J**  
M6\*10  
x8



**K**  
3.5\*12  
x2



**L**  
M6\*17  
x20+2



**M**  
M4\*7  
x4



**N**  
Ø18\*8  
x48+4



**O**  
x6



**P**  
x2



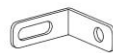
**Q**  
x2



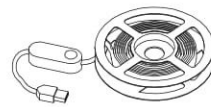
**R**  
x2



**S**  
x1



**T**  
x2



**U**  
x1



**V**  
x1



**W**  
x3



**X**  
x1



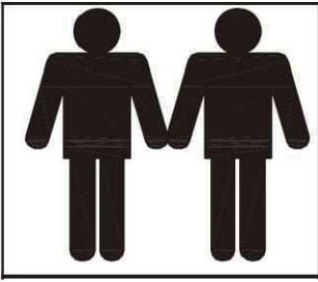
**Y**  
x2



**Z**  
x1

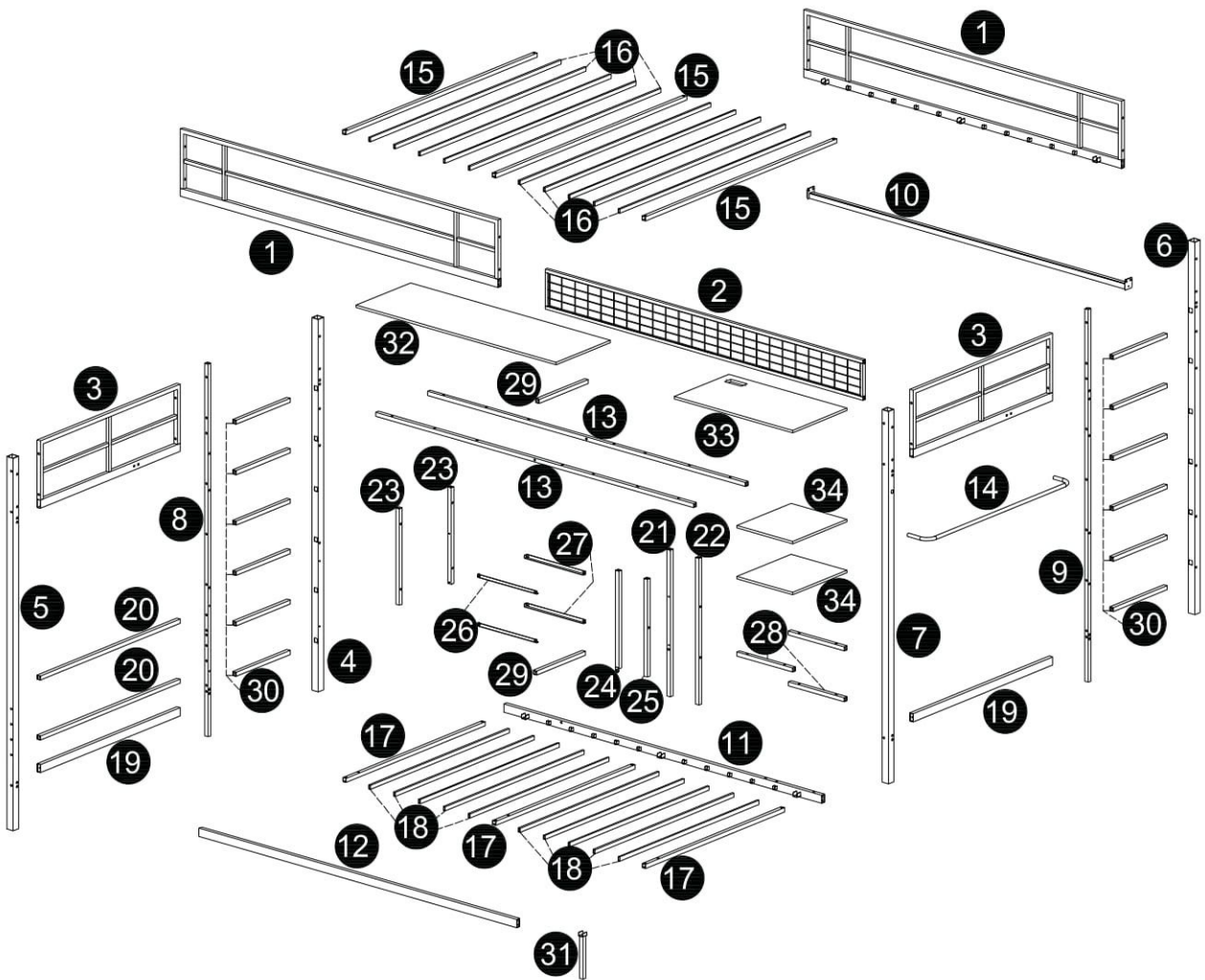
**Note:**

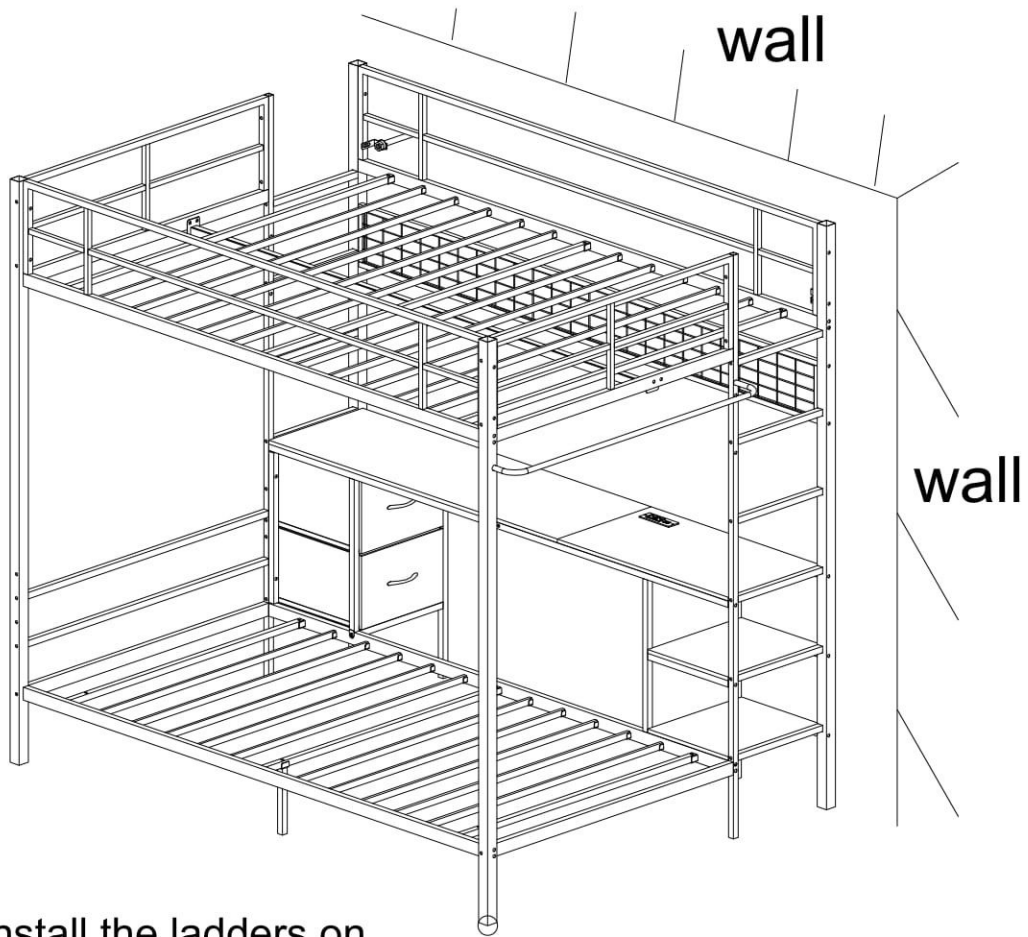
- 1. Should be assembled on flat ground to keep balance.**
- 2. Before completing the installation, do not tighten the screws.**



**Before starting the assembly,  
you must read the whole manual  
and follow the instructions**

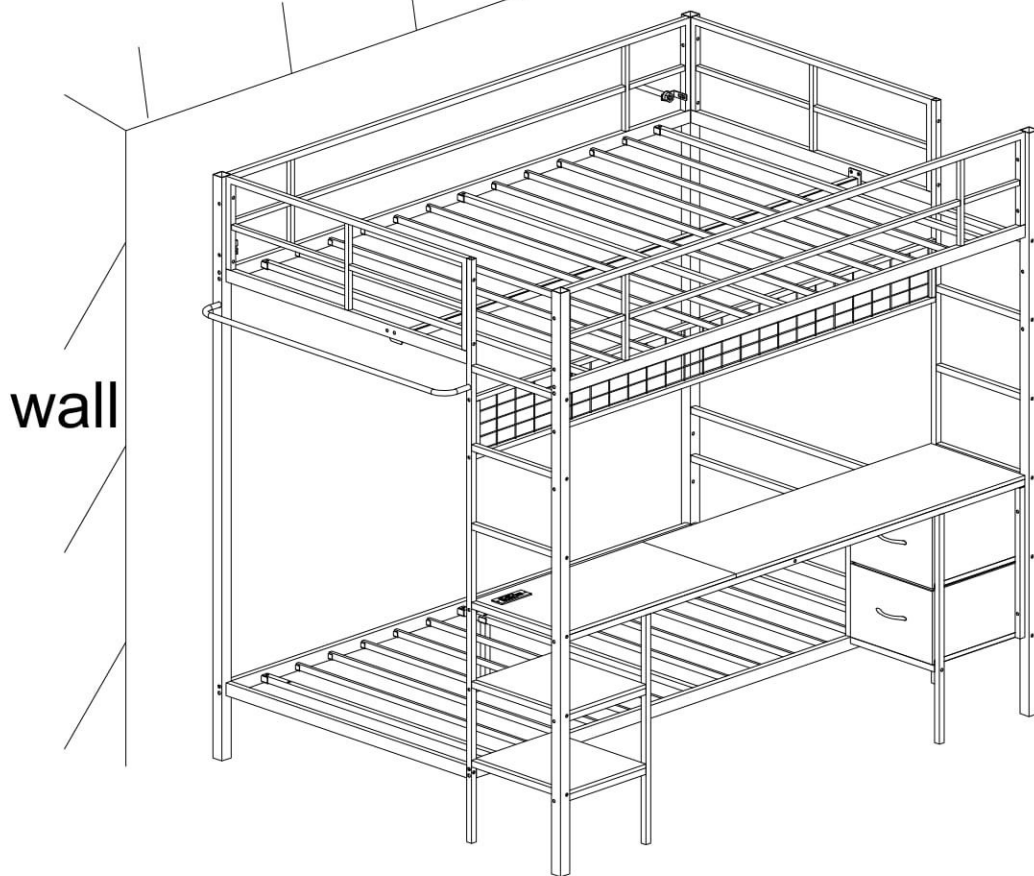
**It needs at least  
two people to install.**





You can install the ladders on the right or left according to your room layout

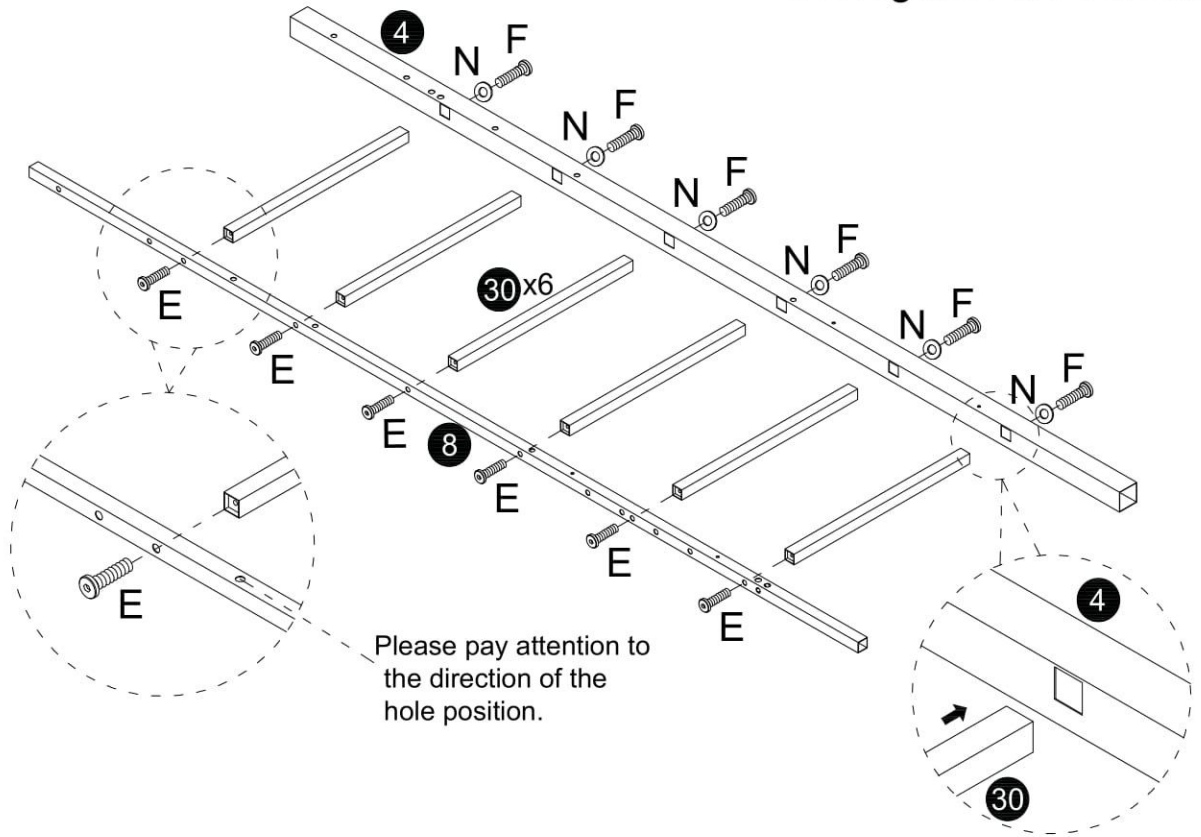
**OR**  
wall



1



Be careful not to overtighten the screws.



E	M6*40
	x6
F	M6*28
	x6
N	Ø18*8
	x6

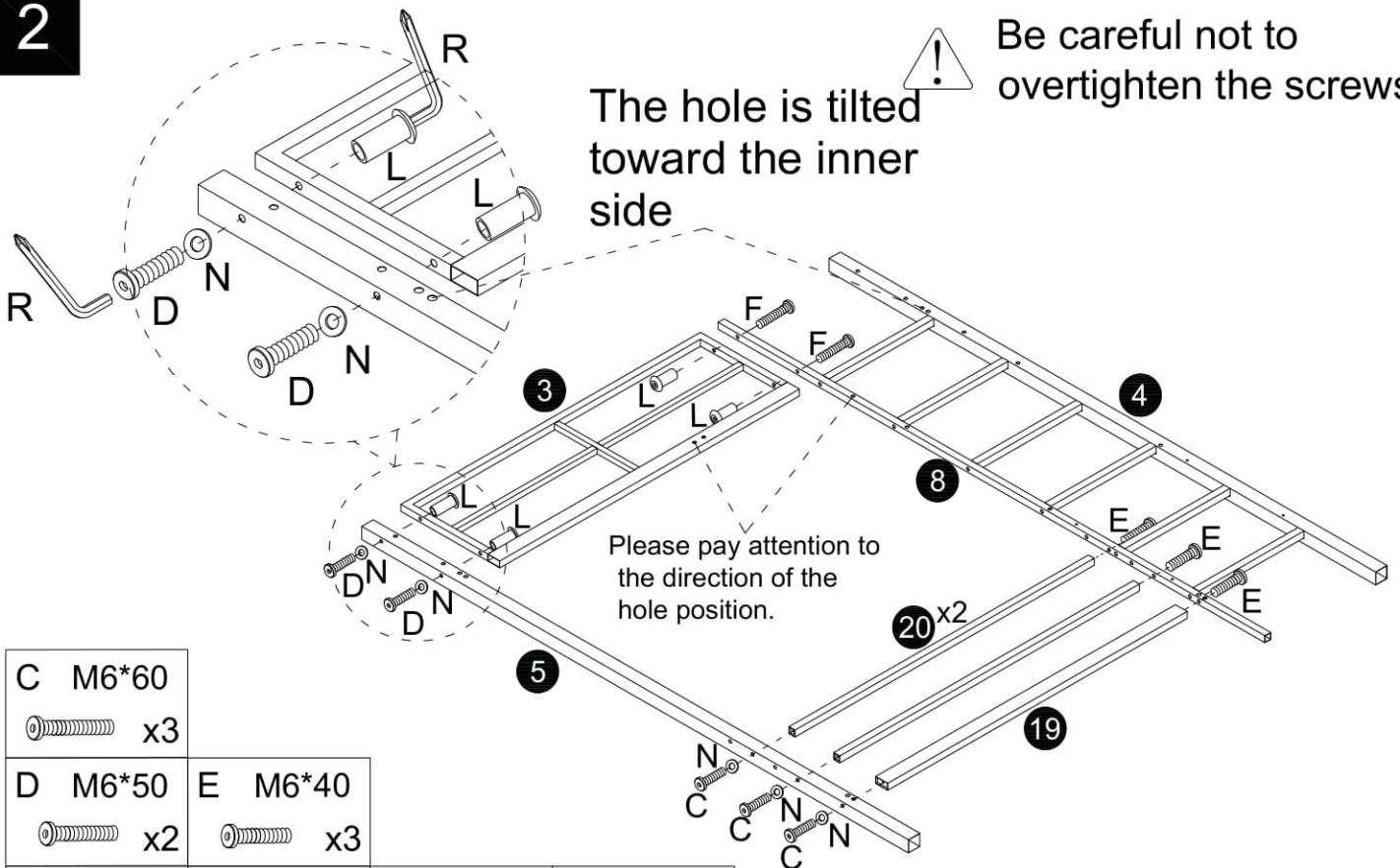
Please pay attention to the direction of the hole position.

2



Be careful not to overtighten the screws.

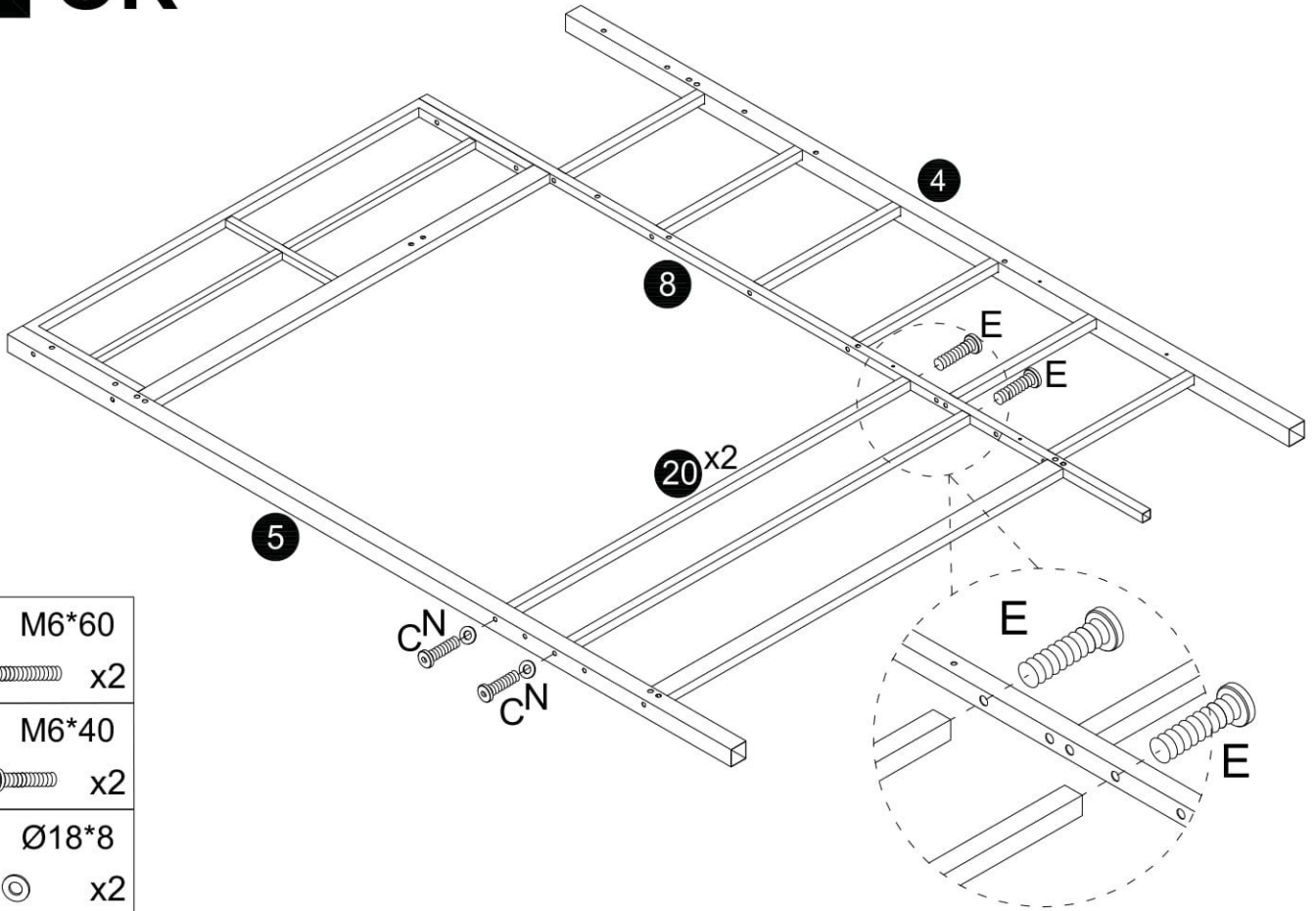
The hole is tilted toward the inner side



Please pay attention to the direction of the hole position.

C	M6*60			
	x3			
D	M6*50	E	M6*40	
	x2		x3	
F	M6*28	L	M6*17	N
	x2		x4	Ø18*8
				x5
			R	M4
				x2

# 2 OR



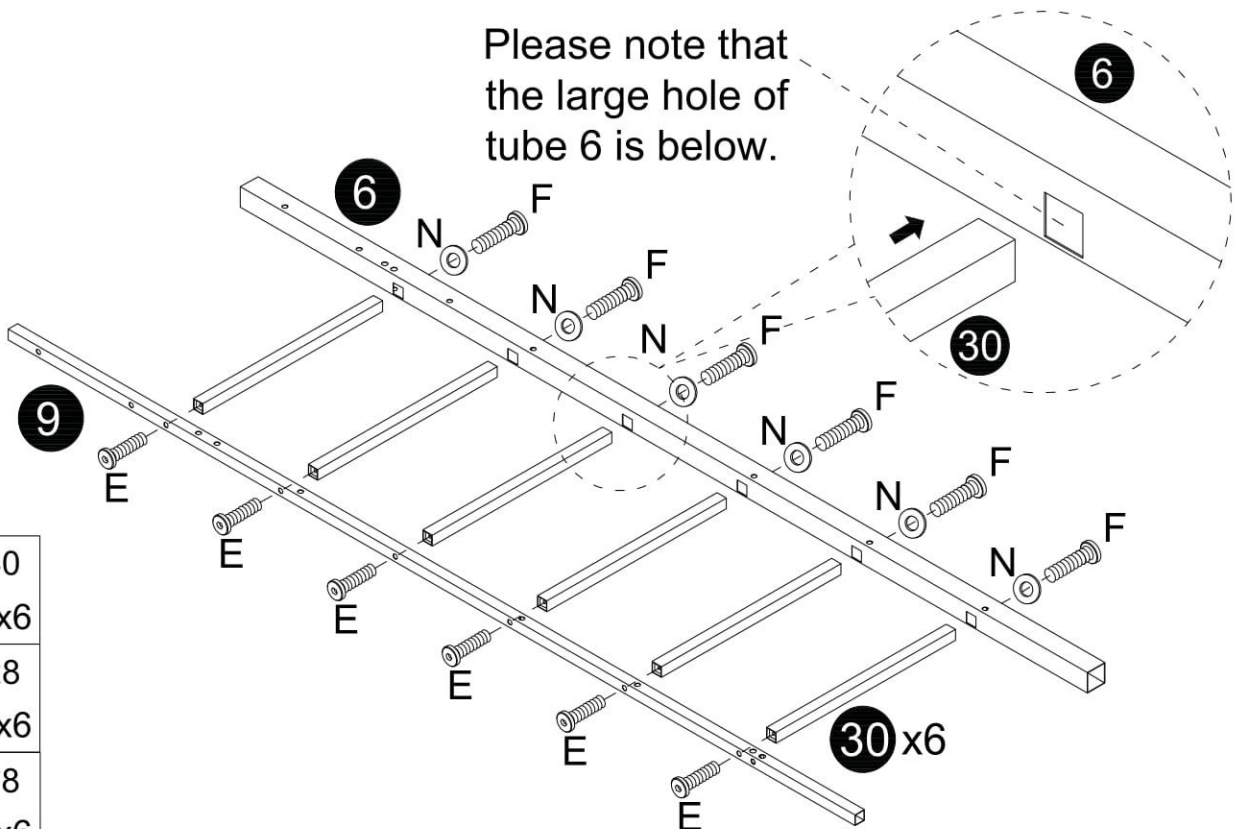
C	M6*60
	x2
E	M6*40
	x2
N	Ø18*8
	x2

# 3



Be careful not to overtighten the screws.

Please note that the large hole of tube 6 is below.

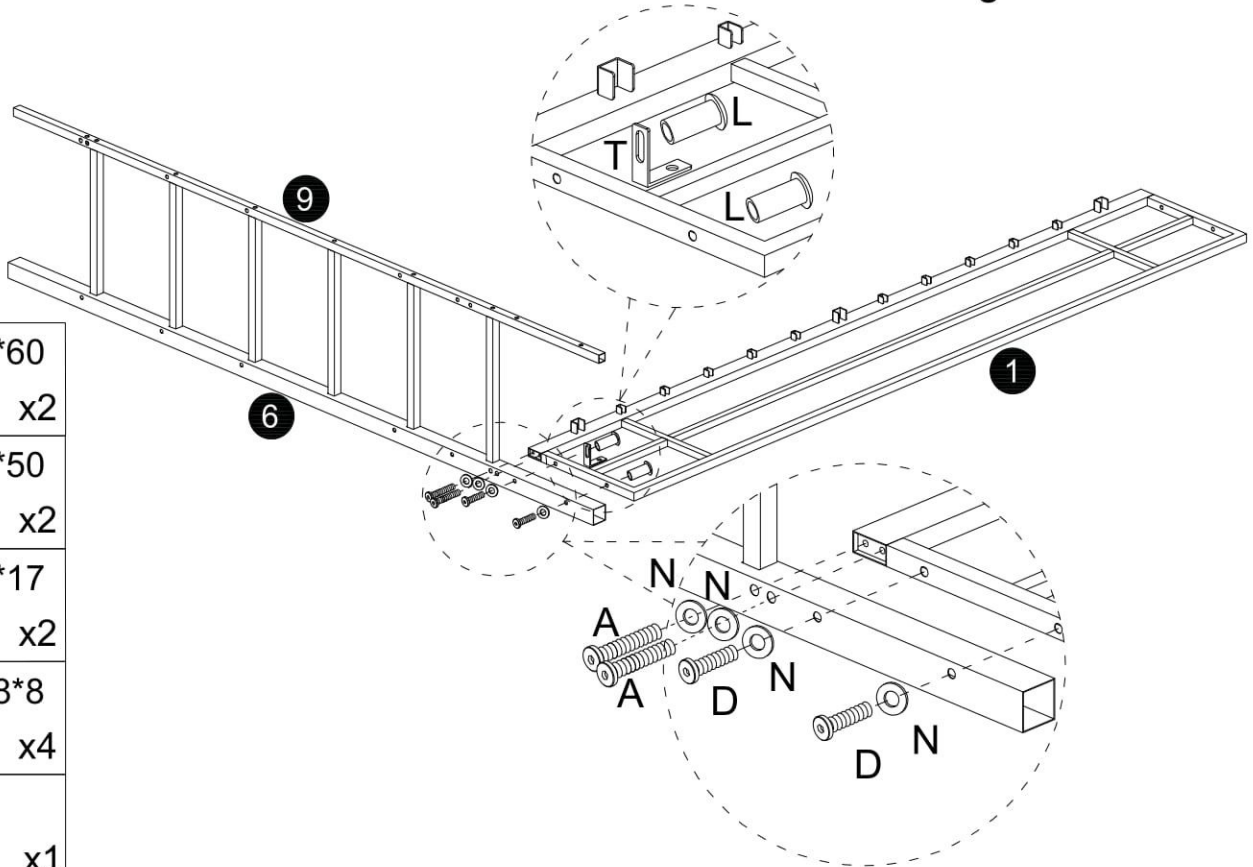


E	M6*40
	x6
F	M6*28
	x6
N	Ø18*8
	x6

4



Be careful not to overtighten the screws.

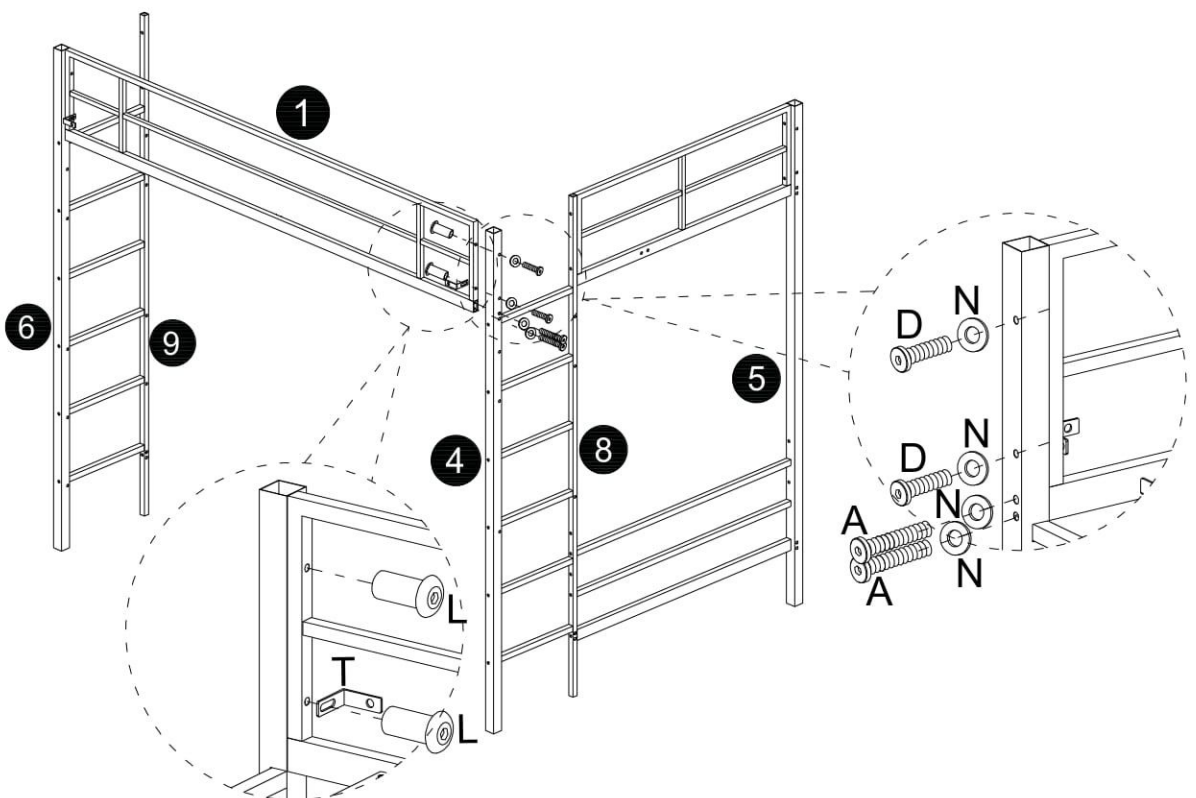


A	M8*60		x2
D	M6*50		x2
L	M6*17		x2
N	Ø18*8		x4
T			x1

5



Be careful not to overtighten the screws.



A	M8*60		x2
D	M6*50		x2
L	M6*17		x2
N	Ø18*8		x4
T			x1



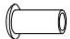

6

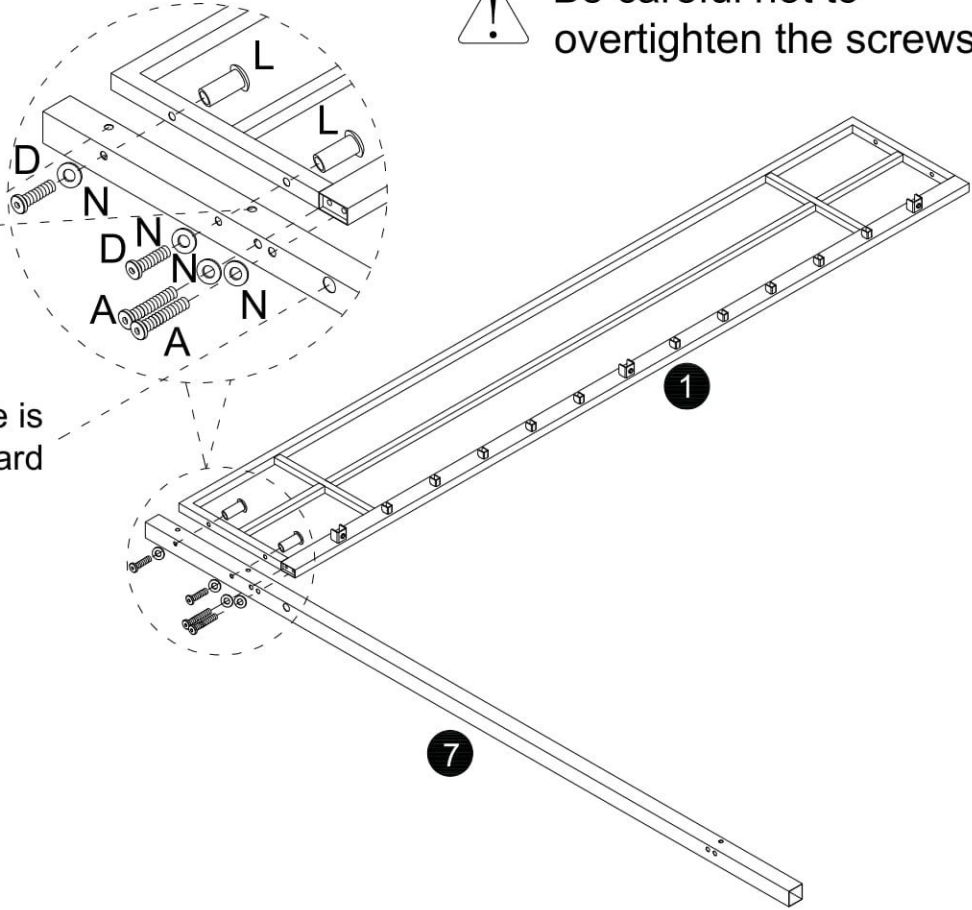


Be careful not to overtighten the screws.

The hole position is biased towards the inner side

The big hole is facing outward





A	M8*60		x2
D	M6*50		x2
L	M6*17		x2
N	Ø18*8		x4

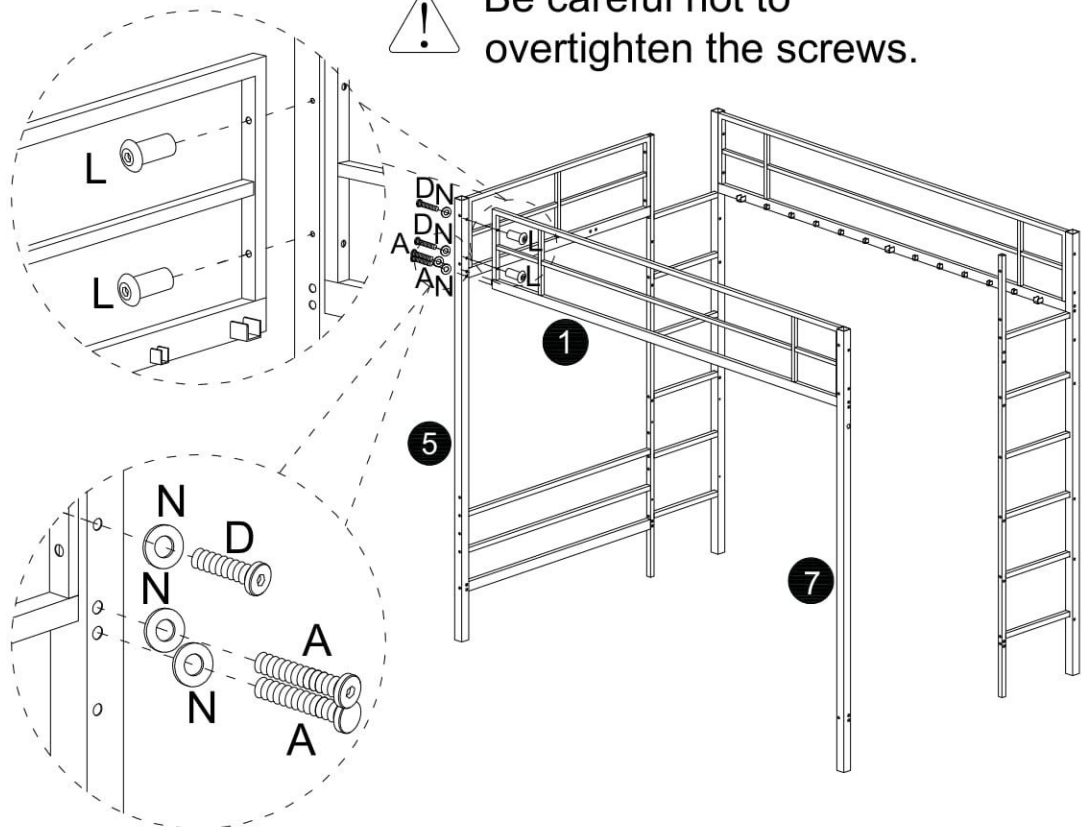


7



Be careful not to overtighten the screws.

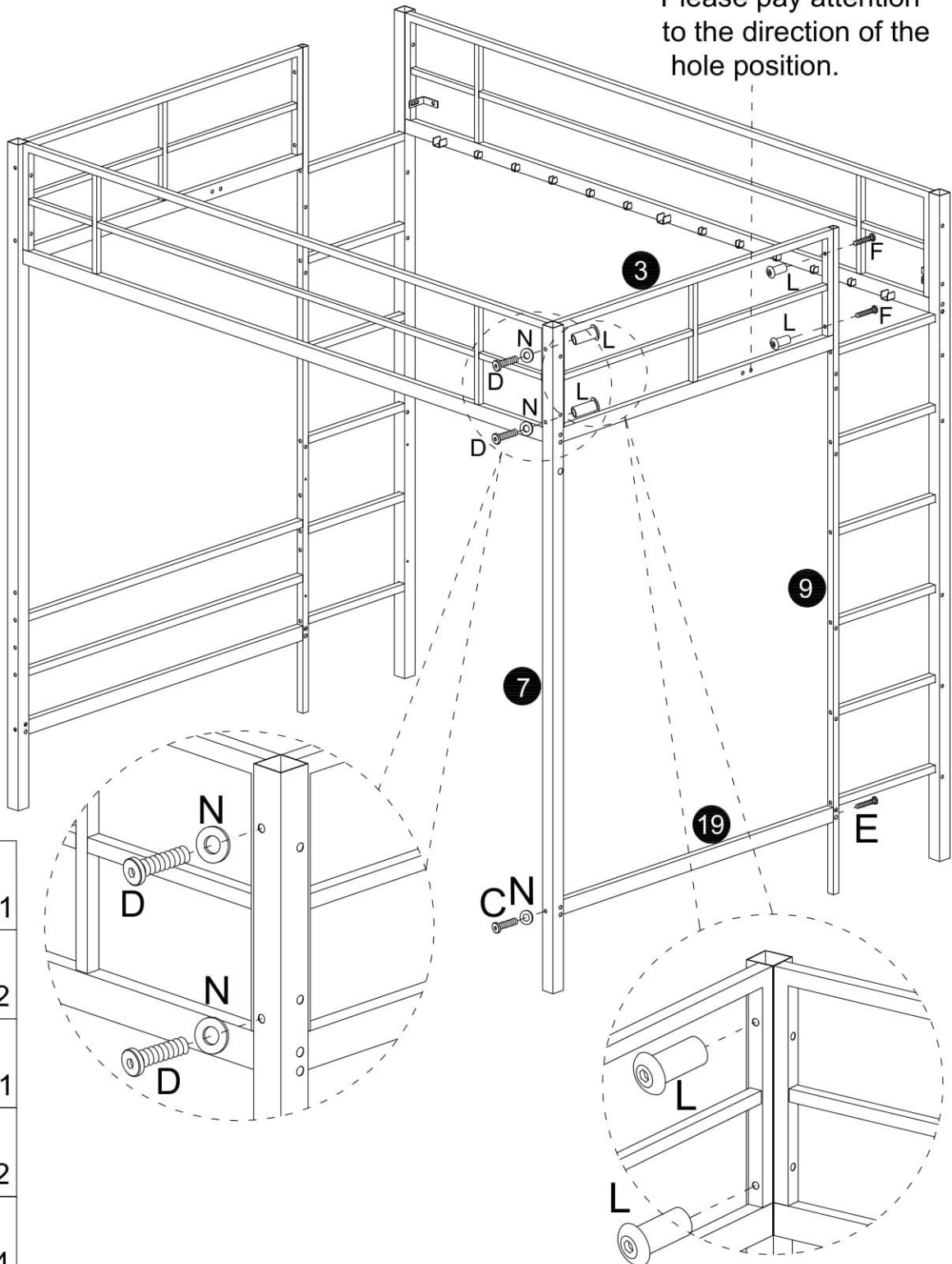
A	M8*60		x2
D	M6*50		x2
L	M6*17		x2
N	Ø18*8		x4





Be careful not to overtighten the screws.

Please pay attention to the direction of the hole position.



C M6\*60

 x1

D M6\*50

 x2

E M6\*40

 x1

F M6\*28

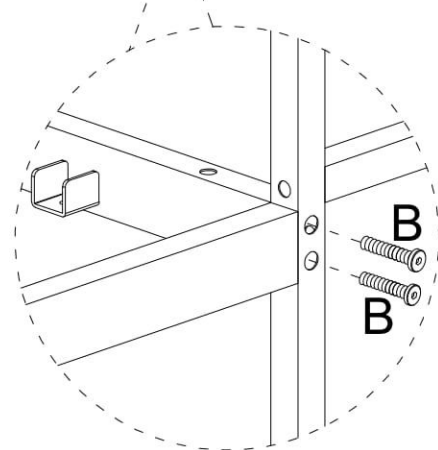
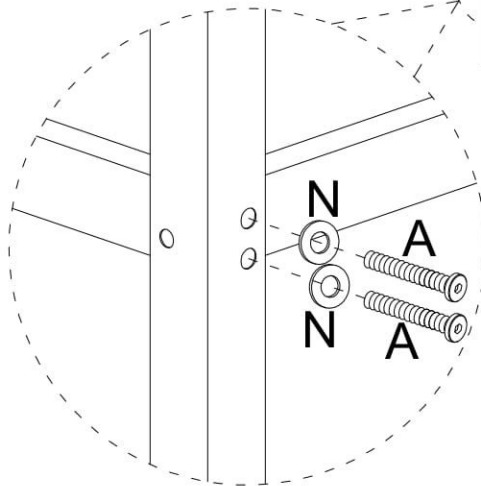
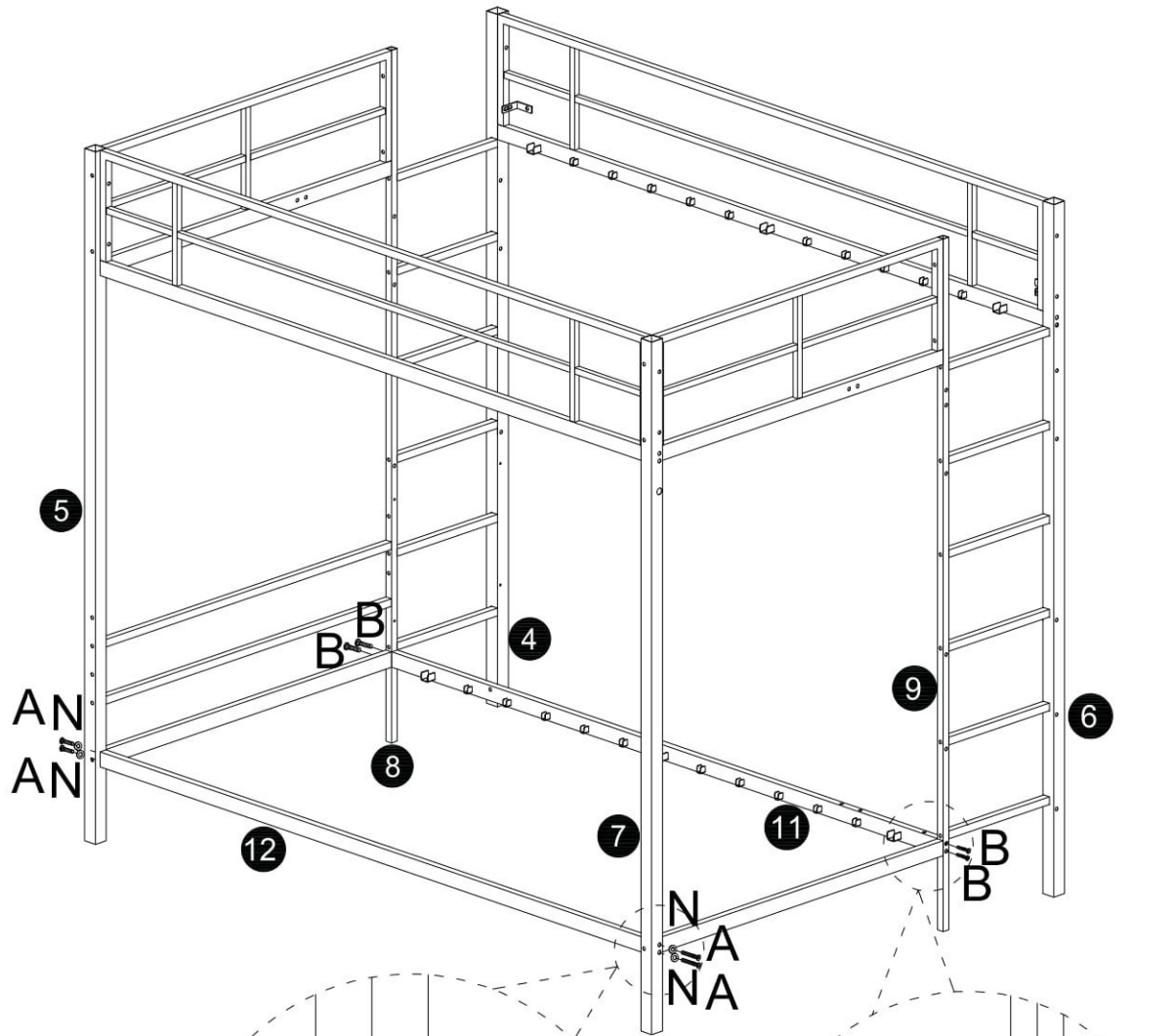
 x2




L M6\*17

 x4

N Ø18\*8

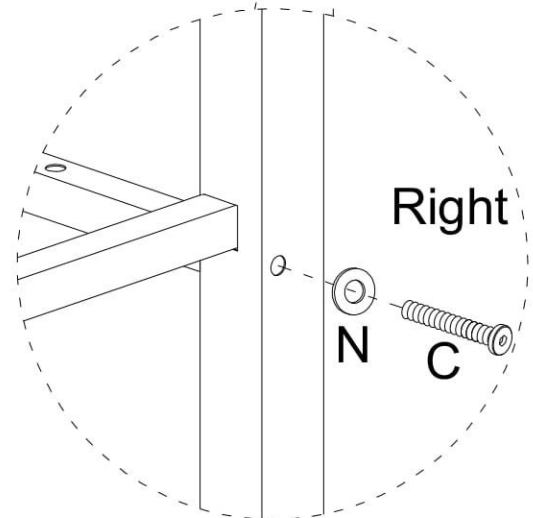
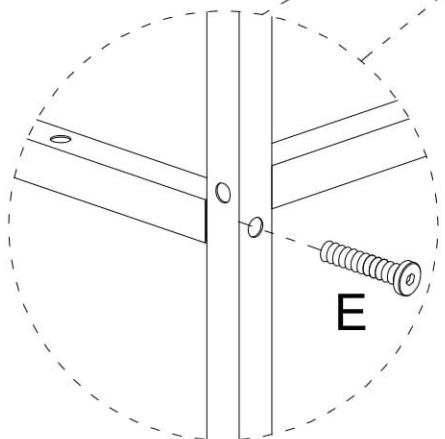
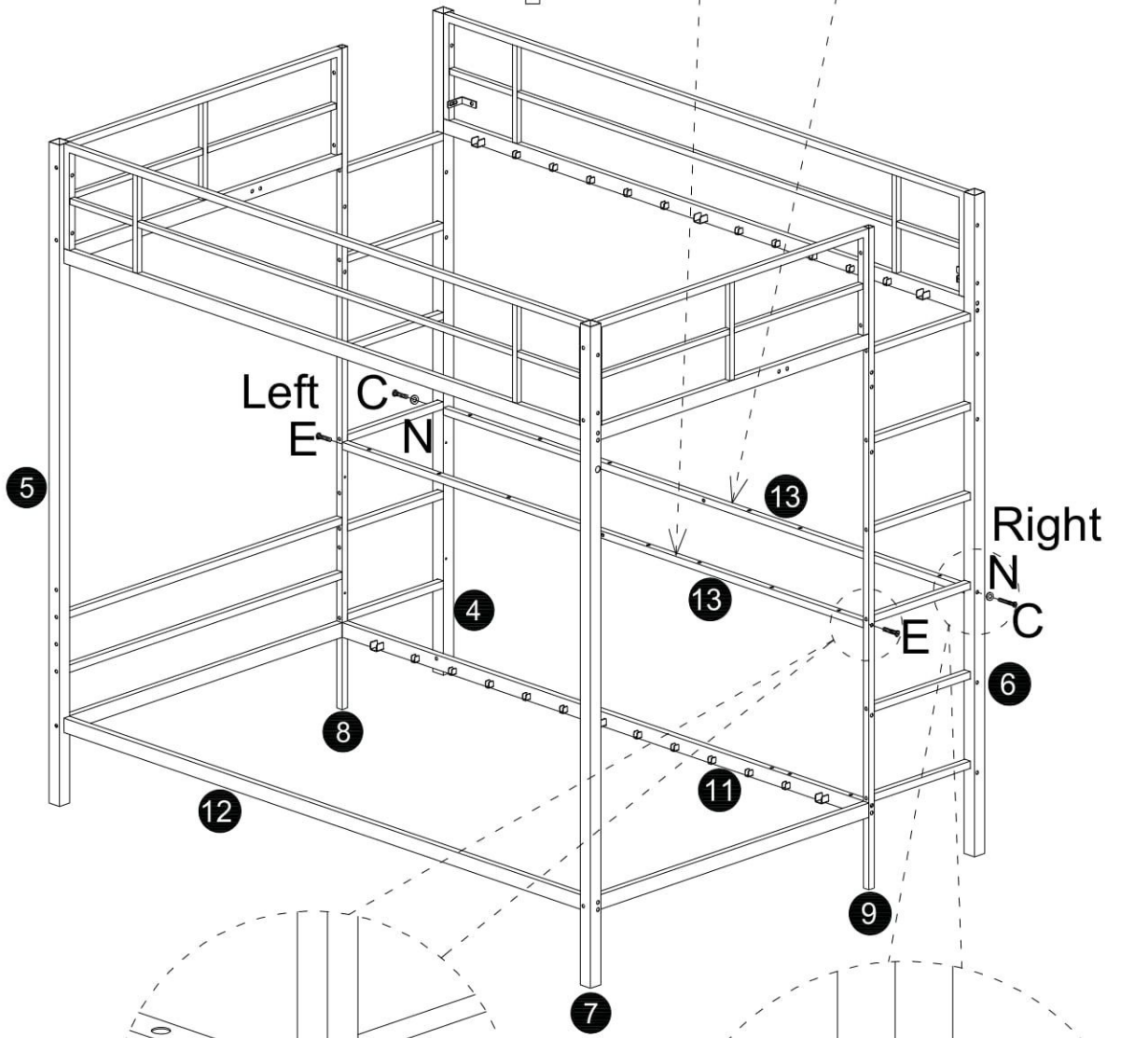
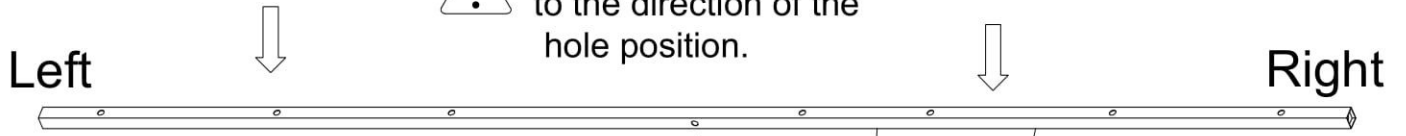
 x3



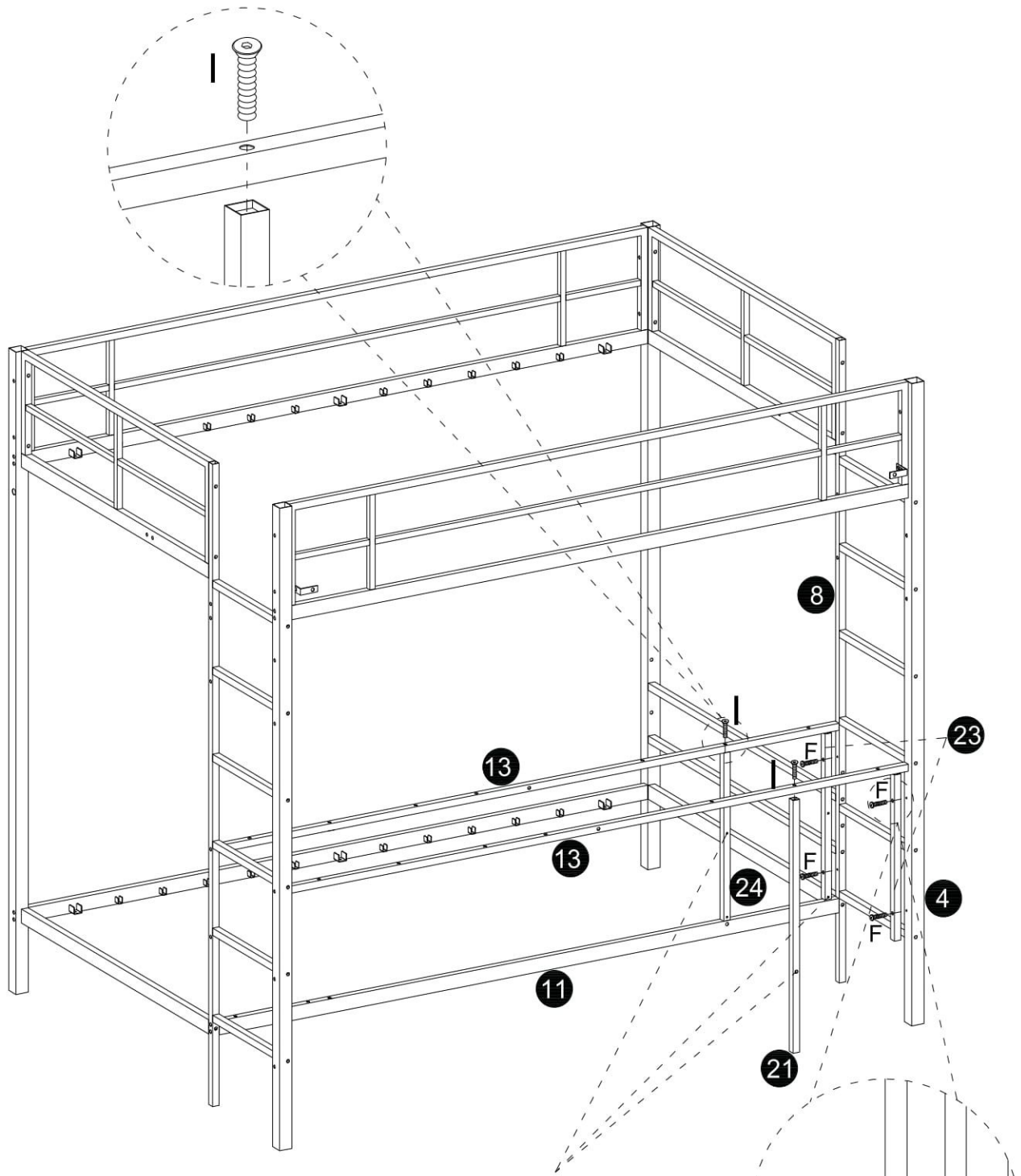
A	M8*60		
	x4		
B	M8*40	N	Ø18*8
	x4		x4





Please pay attention to the direction of the hole position.

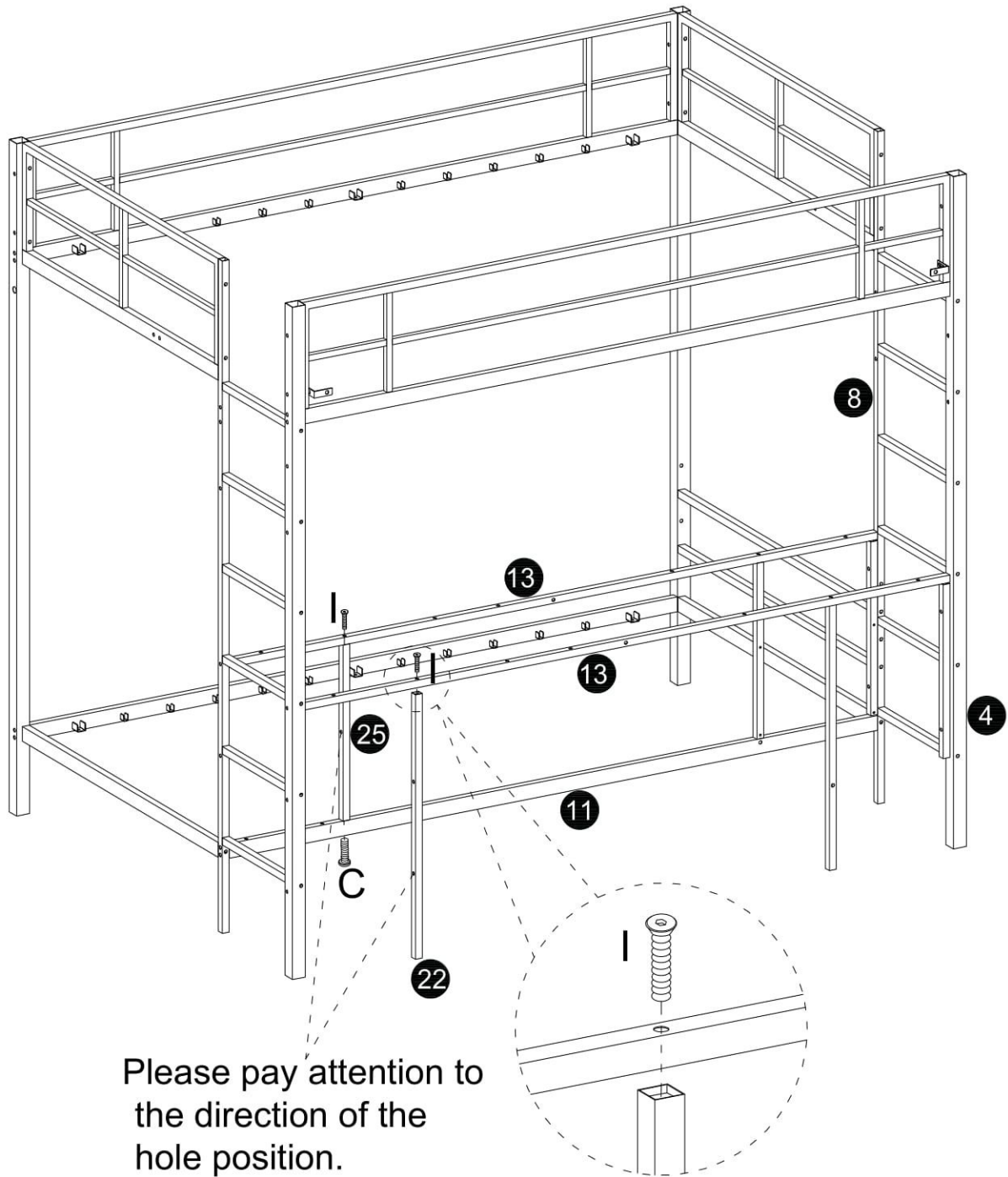


C	M6*60		
	x2		
E	M6*40	N	Ø18*8
	x2		x2





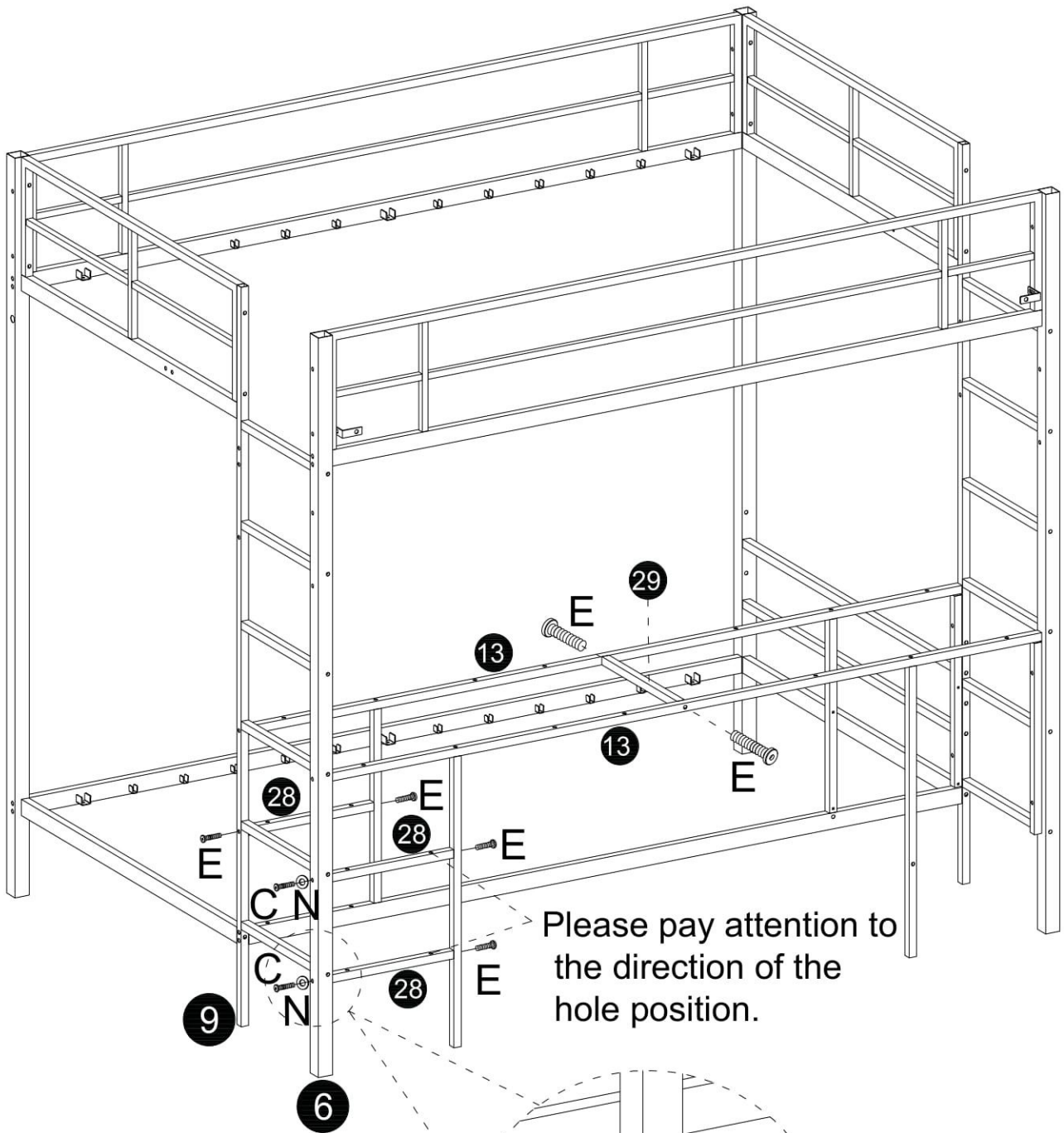
Please pay attention to the direction of the hole position.

F	M6*28
	x4
I	M6*40
	x2






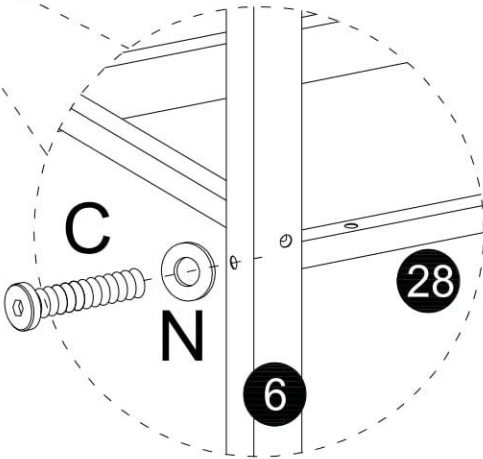
Please pay attention to the direction of the hole position.

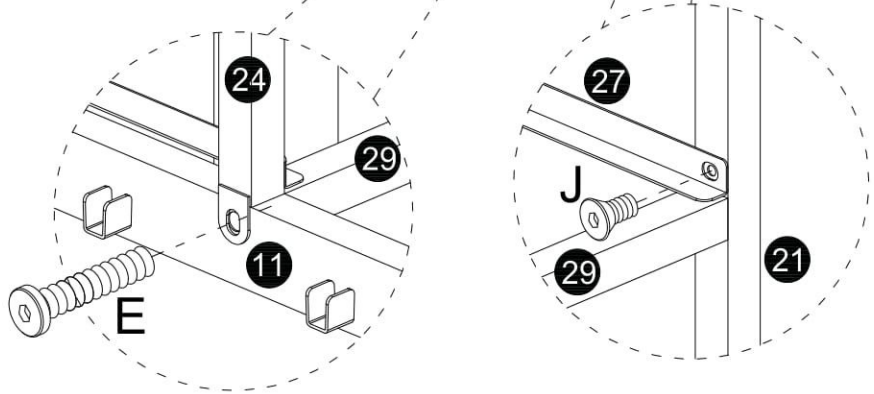
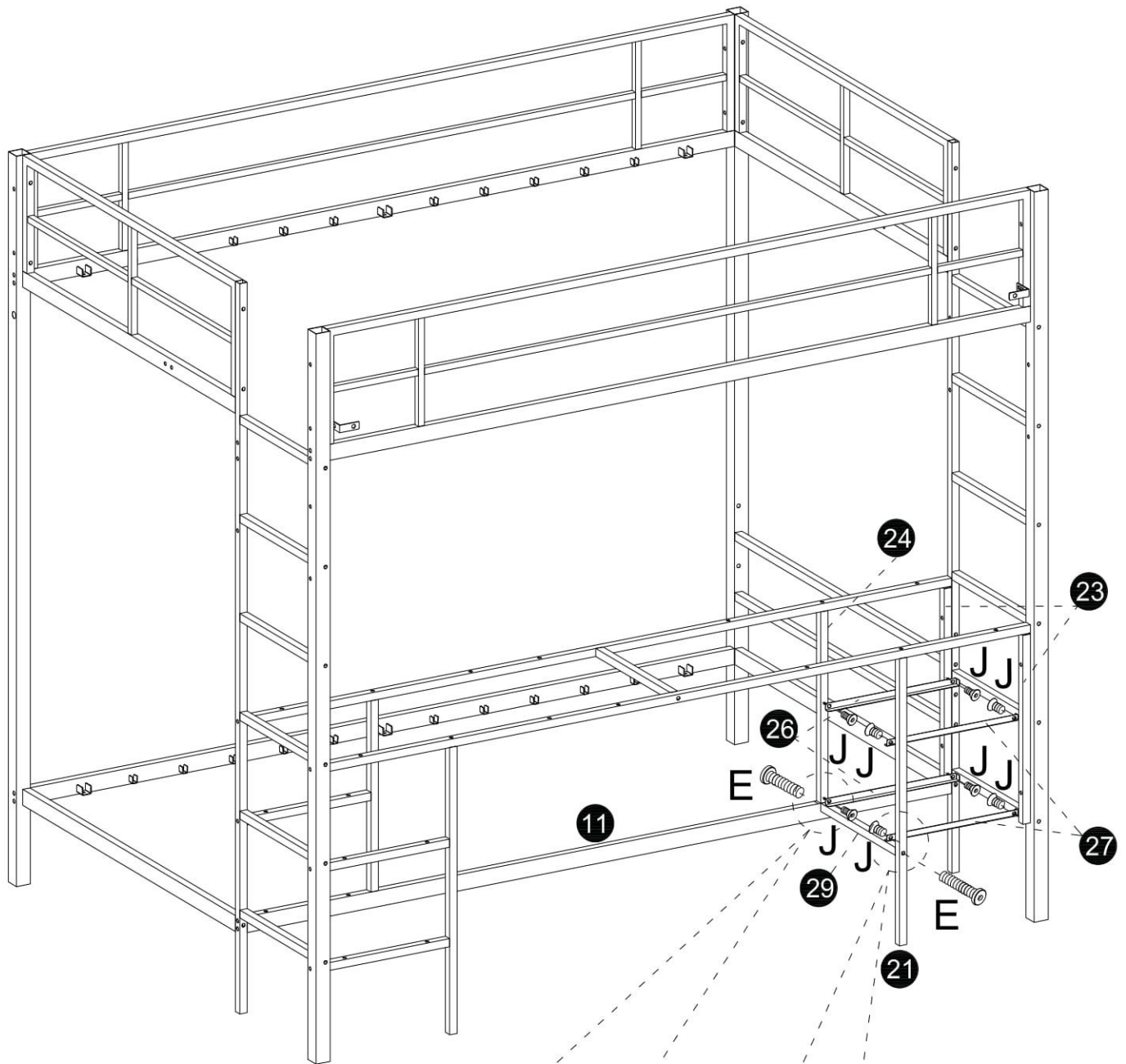
C	M6*60
	x1
I	M6*40
	x2





Please pay attention to the direction of the hole position.

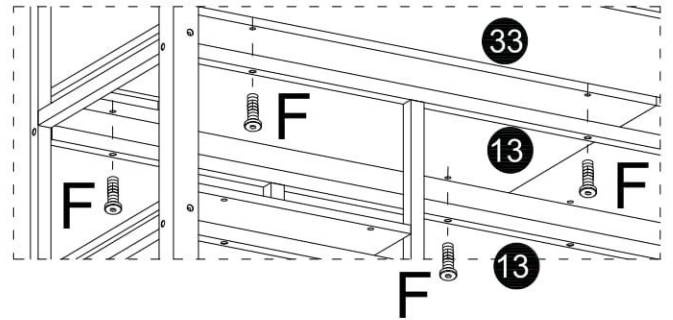
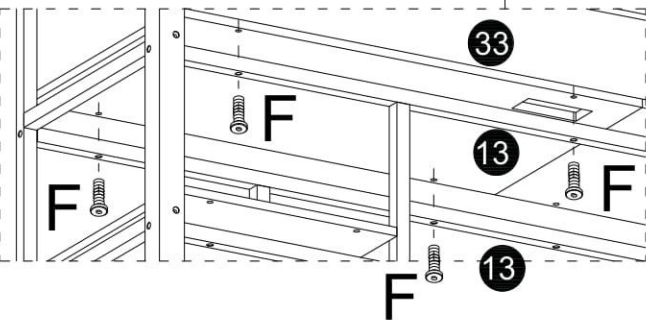
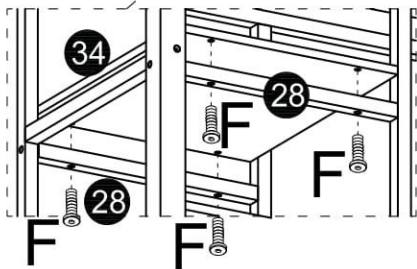
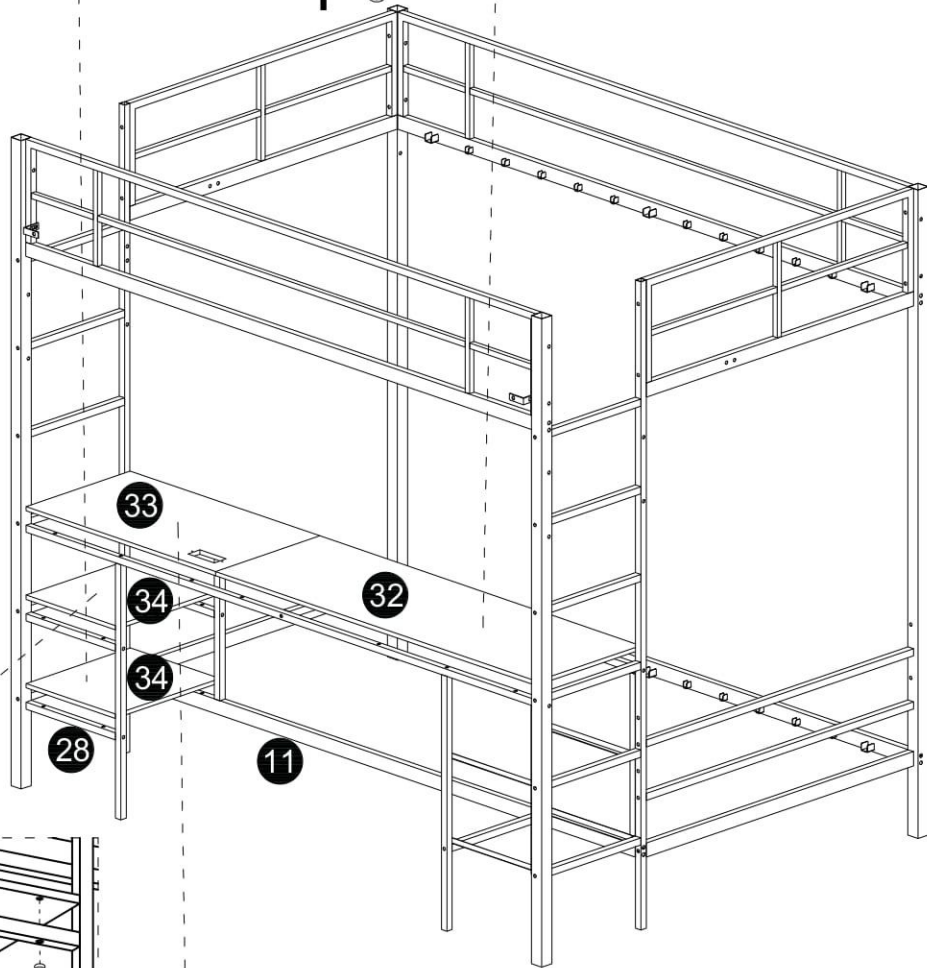
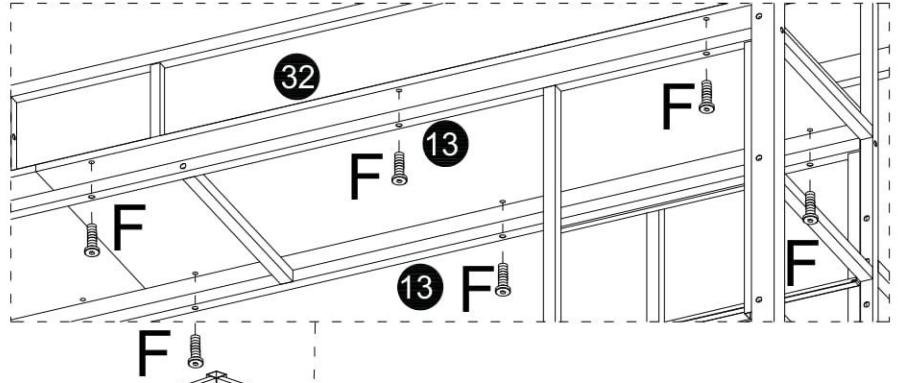
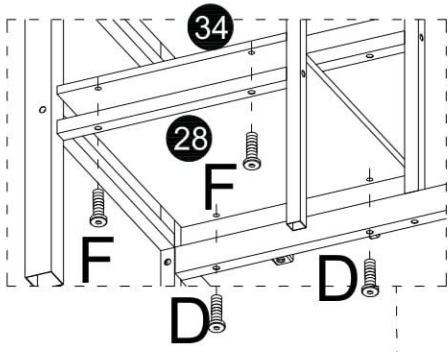
C	M6*60
	x2
E	M6*40
	x6
N	Ø18*8
	x2







- E M6\*40
-  x2
- J M6\*10
-  x8

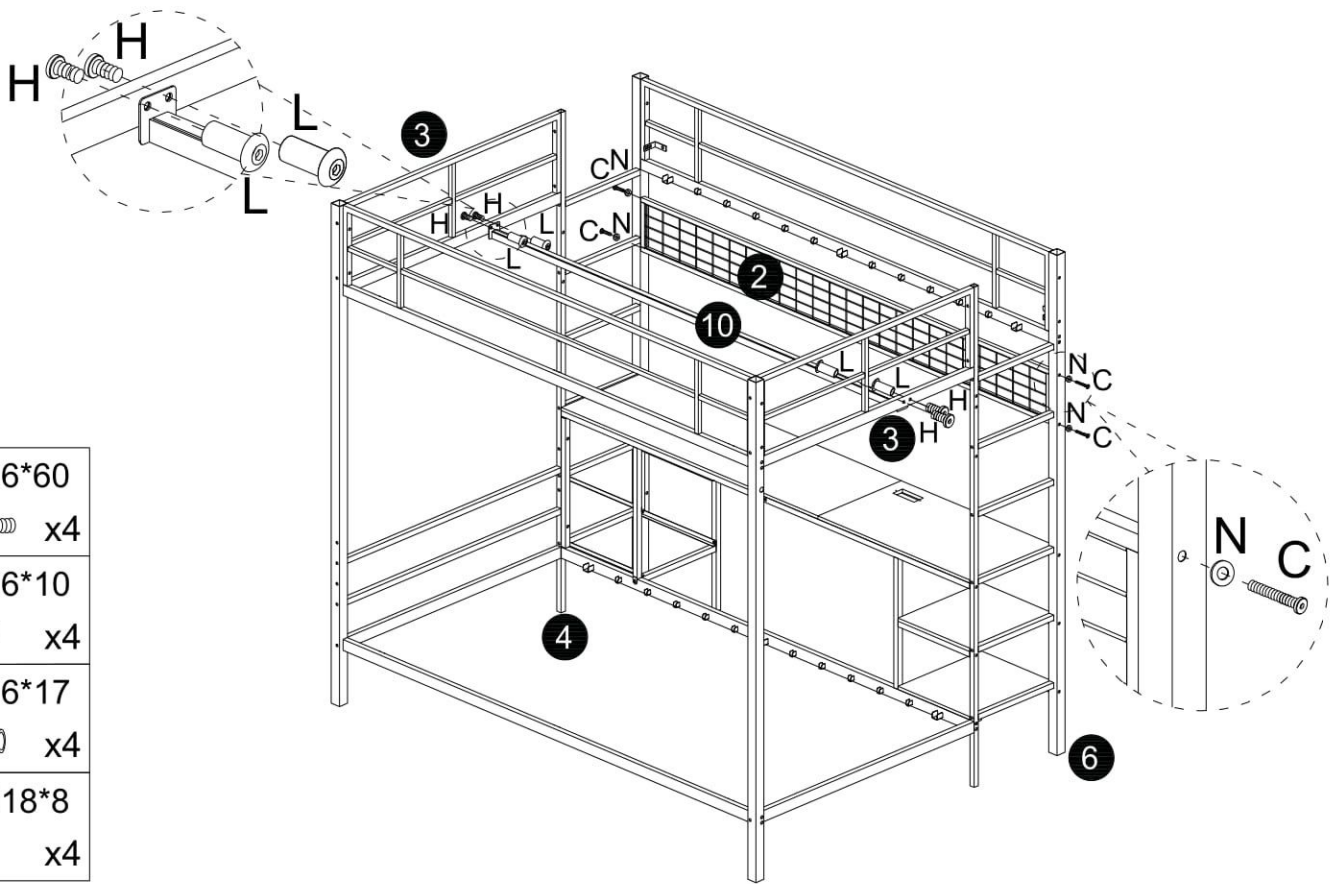
15



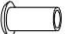



OR

D	M6*50	F	M6*28
	x2		x16

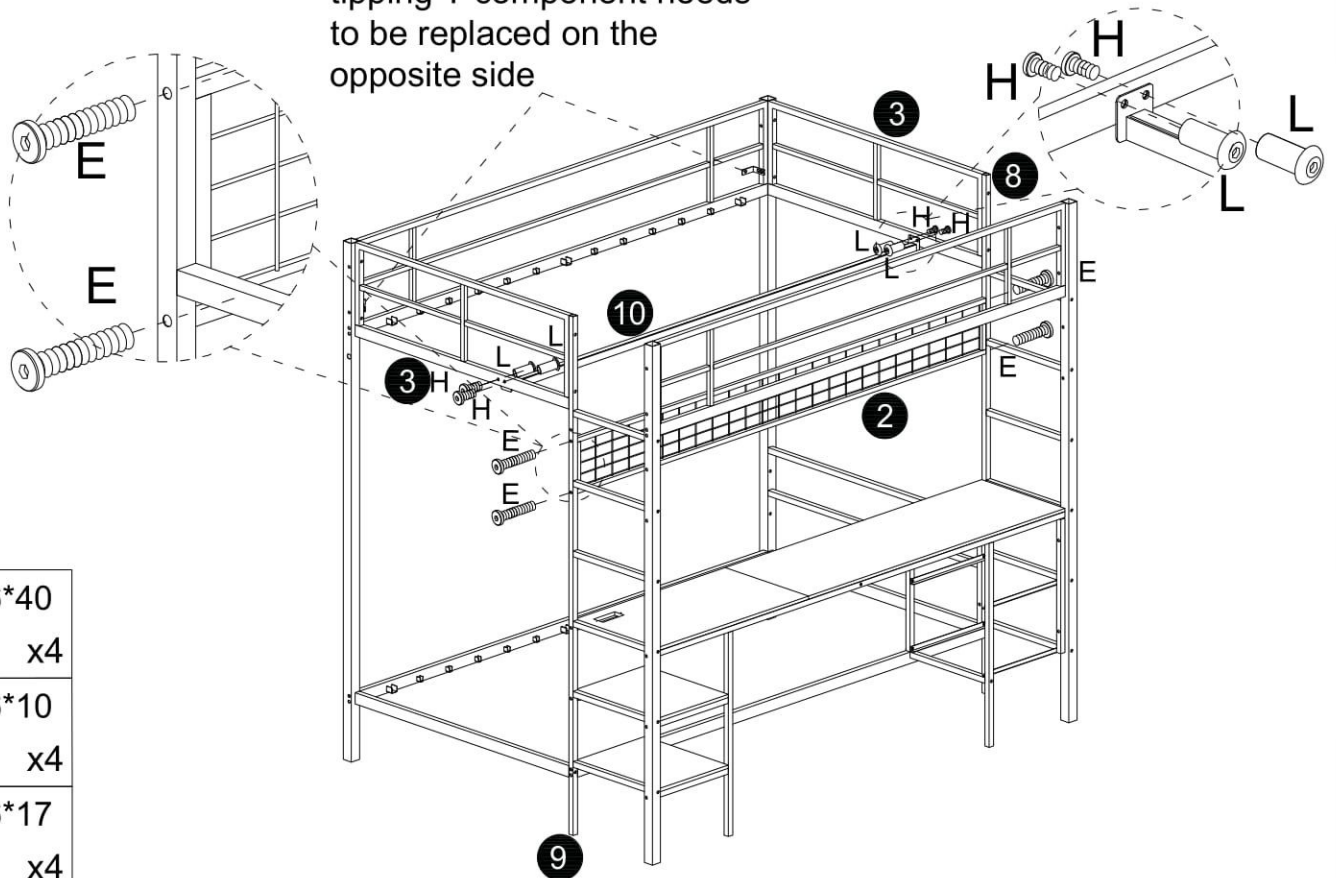
16






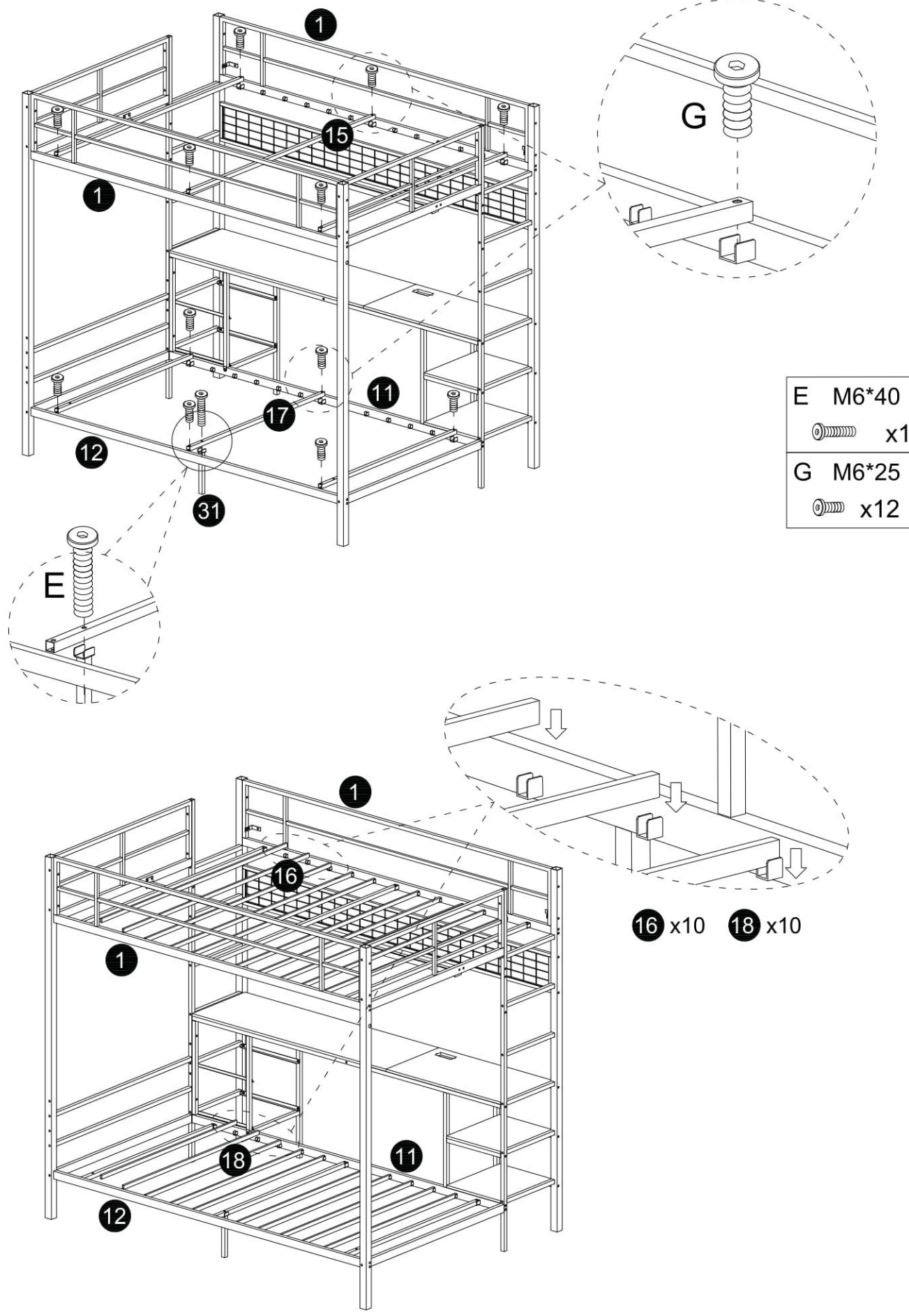
C	M6*60		x4
H	M6*10		x4
L	M6*17		x4
N	Ø18*8		x4



16 OR

Under this step, the anti tipping T component needs to be replaced on the opposite side

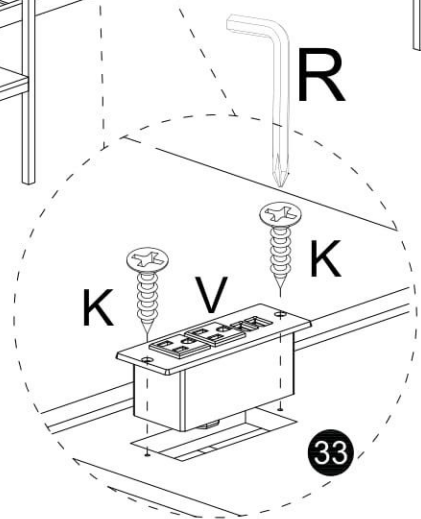
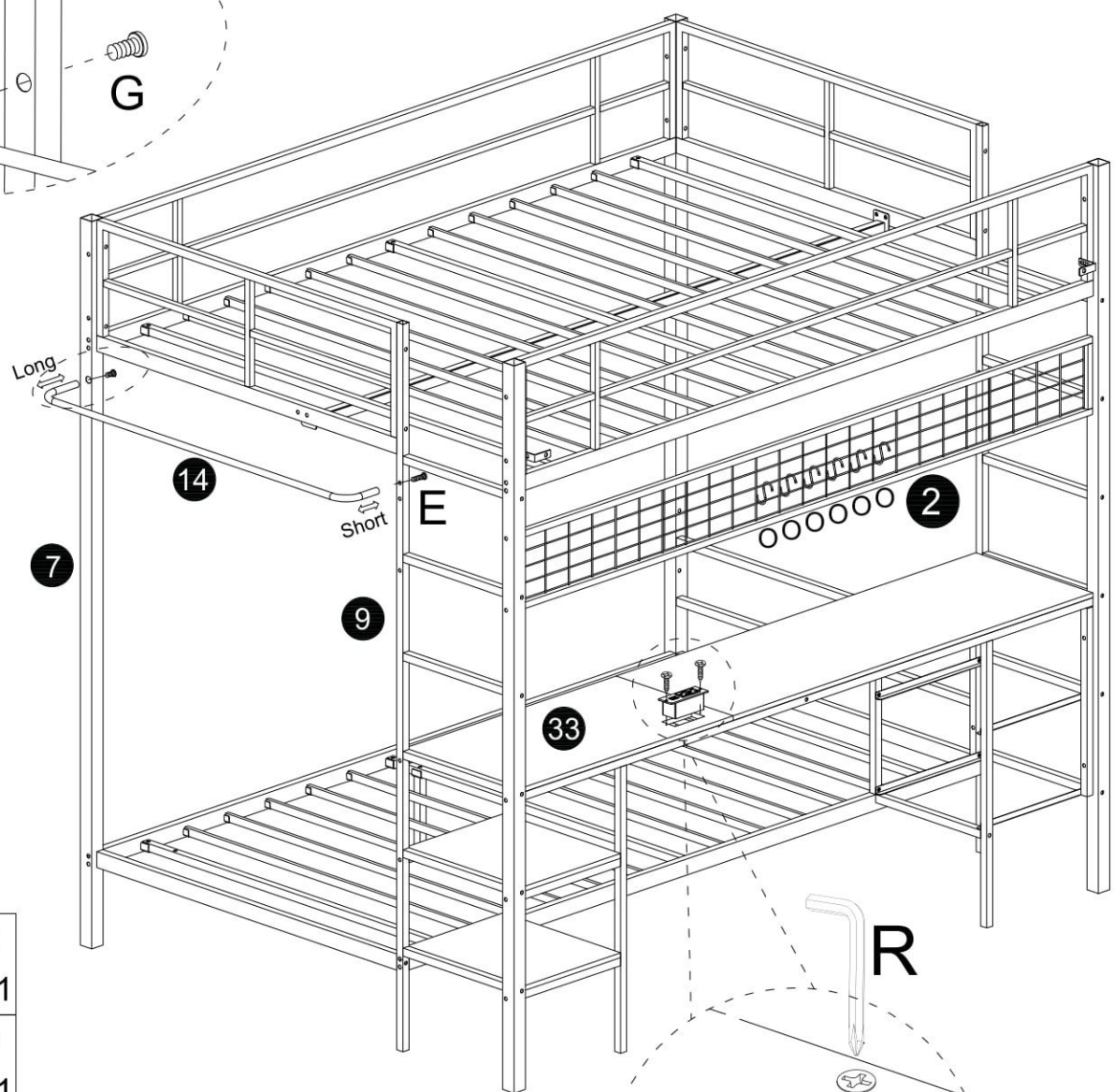
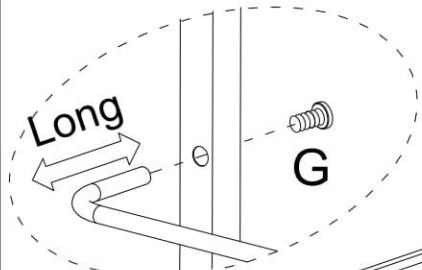








E	M6*40		x4
H	M6*10		x4
L	M6*17		x4



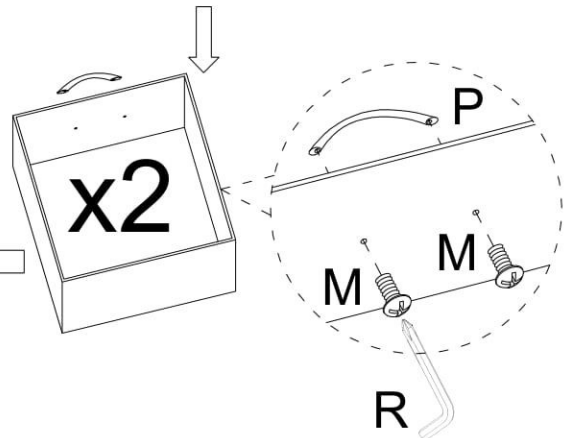
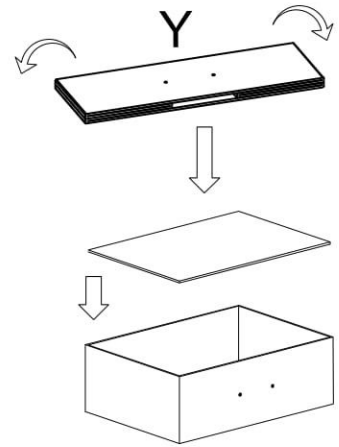
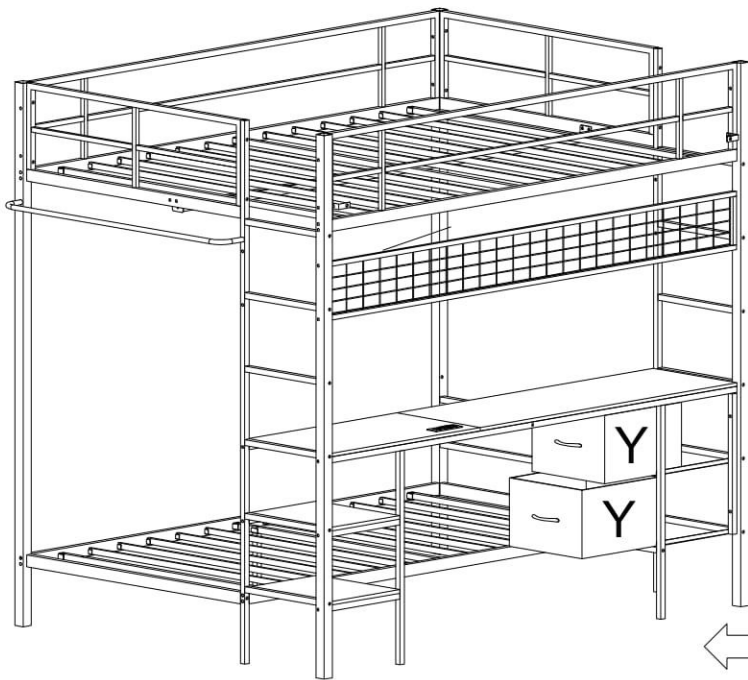
E	M6*40
	x1
G	M6*25
	x12





16 x10 18 x10



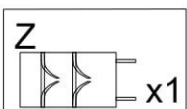
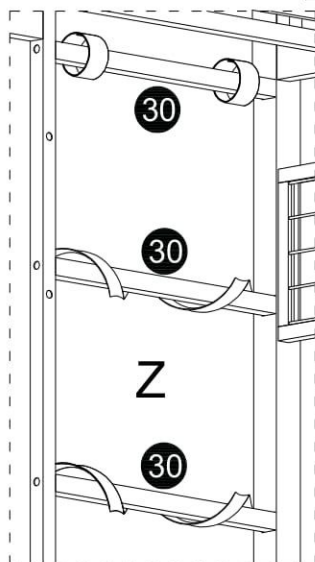
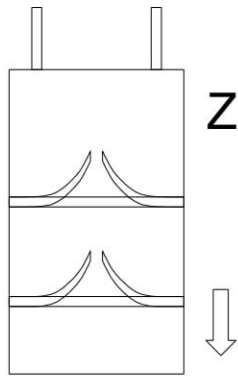
E	M6*40		x1
G	M6*25		x1
K	3.5*12		x2
O			x6
R	M4		x1
V			x1

19



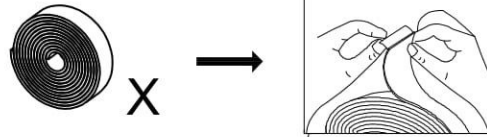
M	M4*7	P	R	M4	Y
	x4			x1	
		x2			x2

20

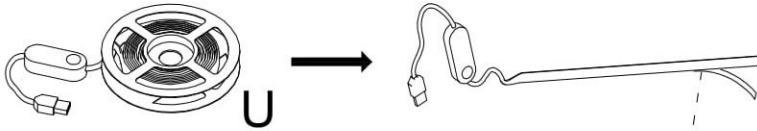


21

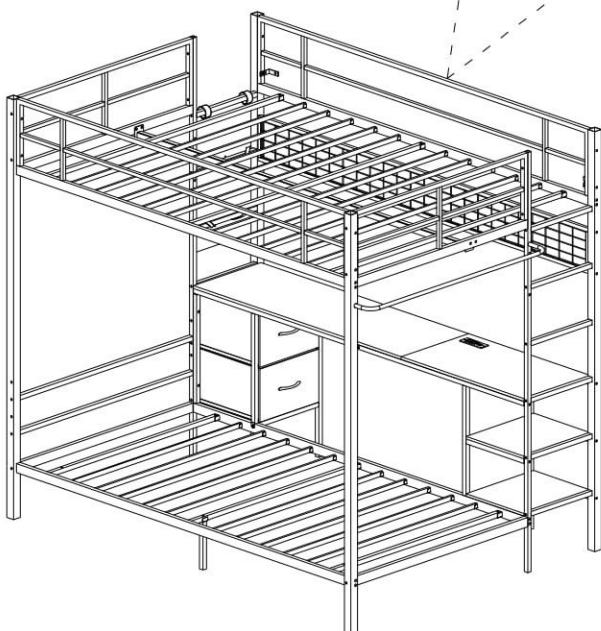
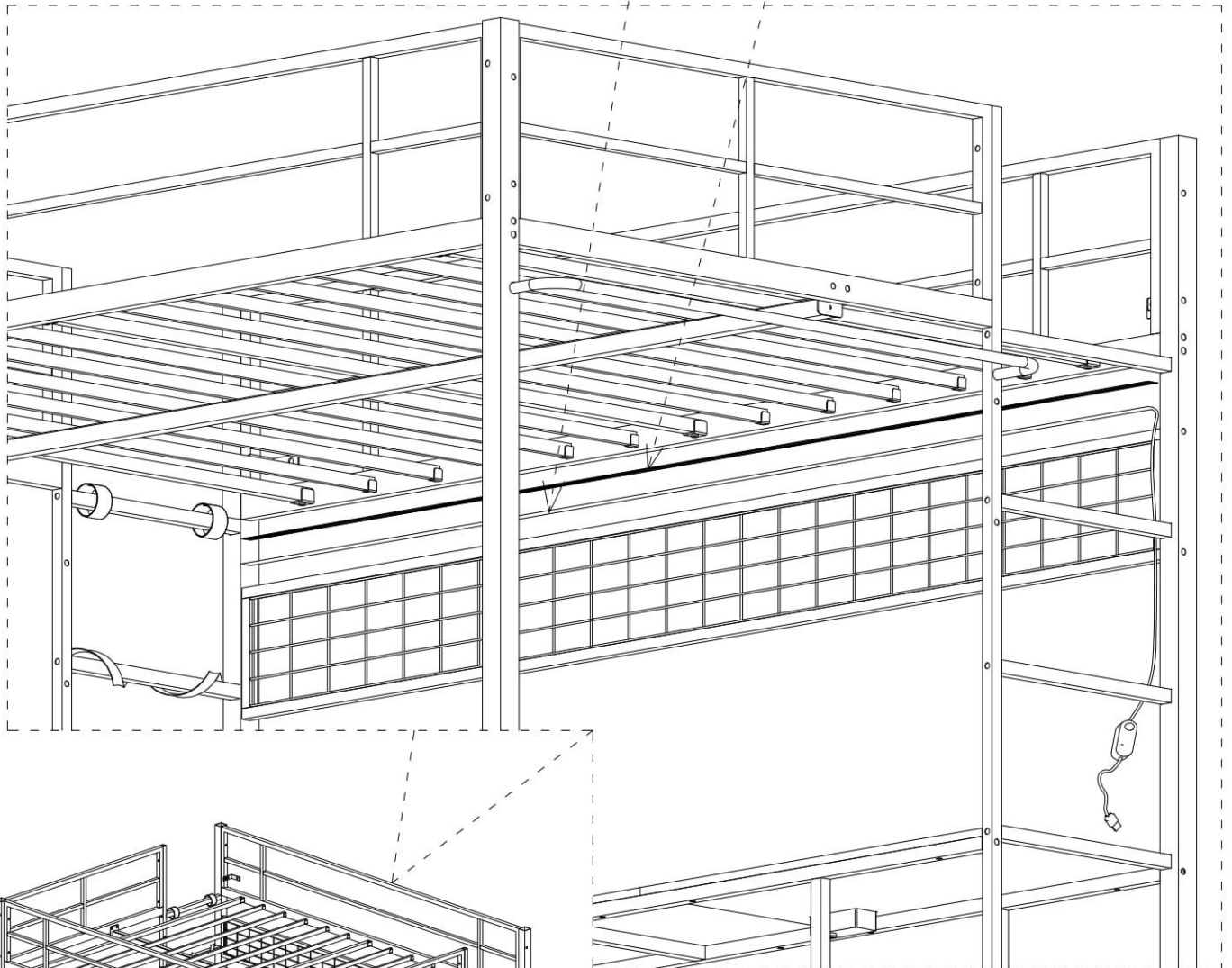
1: Please remove the adhesive tape numbered X first, and then stick it to the bottom of the bed side.  
As shown in the figure





2: Unfold the light belt

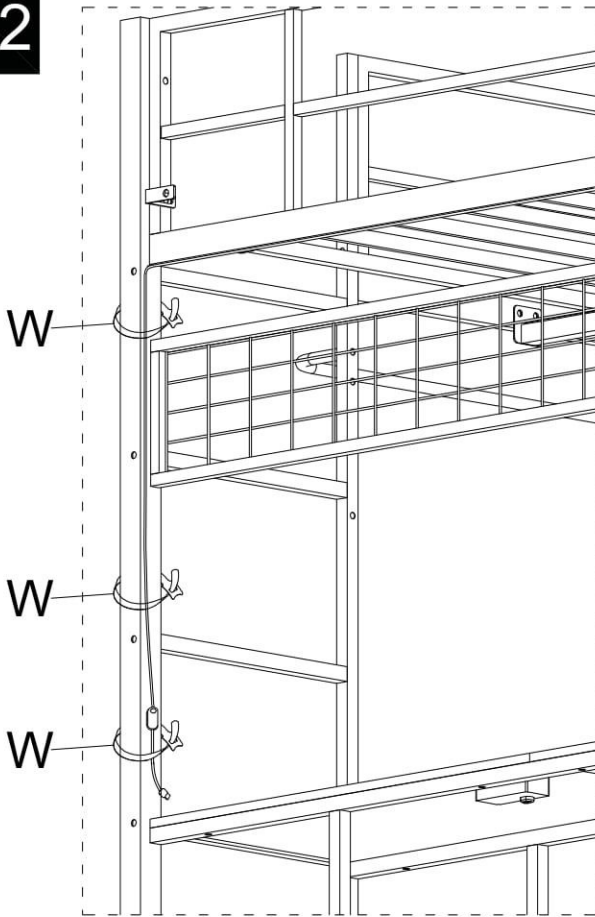


tear off the end of the tape and stick it to the bottom of the bed side tube.

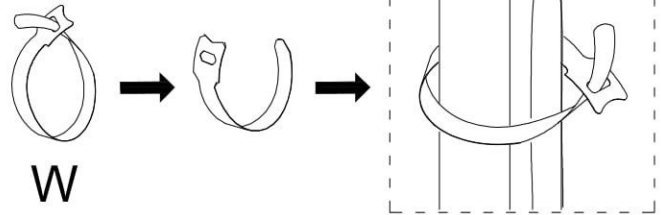


U	X
 x1	 x1

22

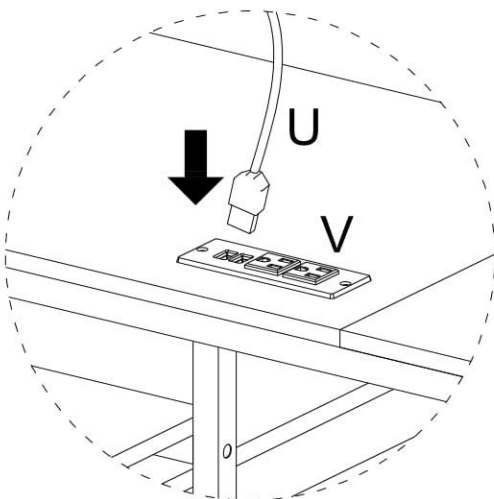


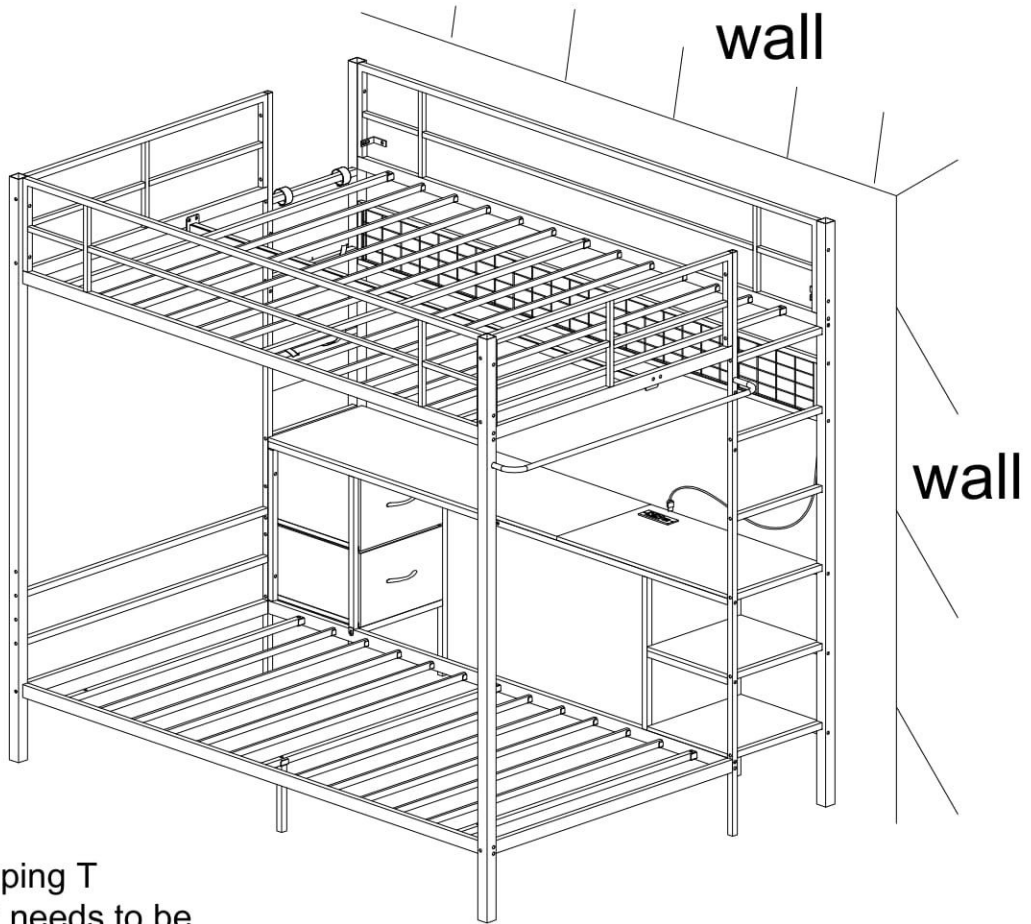
Please loosen the tie and tie it onto the iron pipe. As shown in the figure.



23

Please insert the plug of the light strip into the socket.

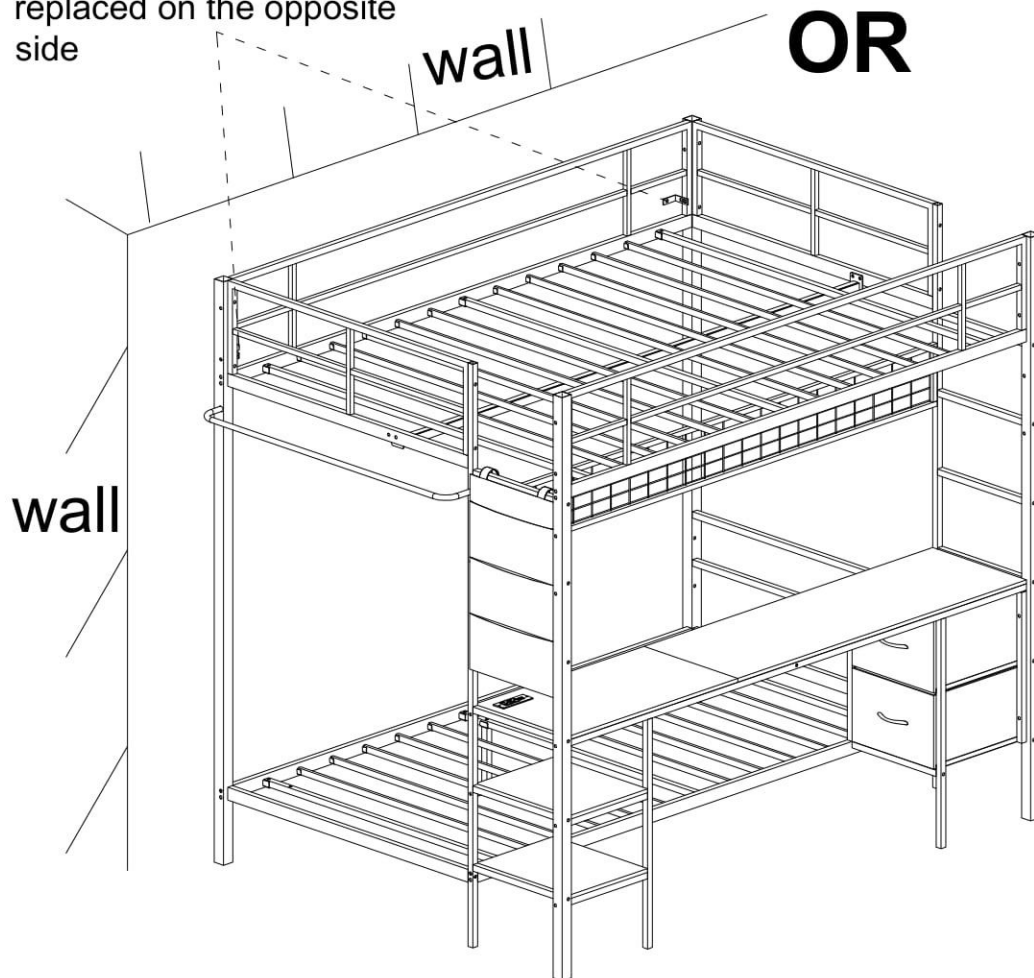




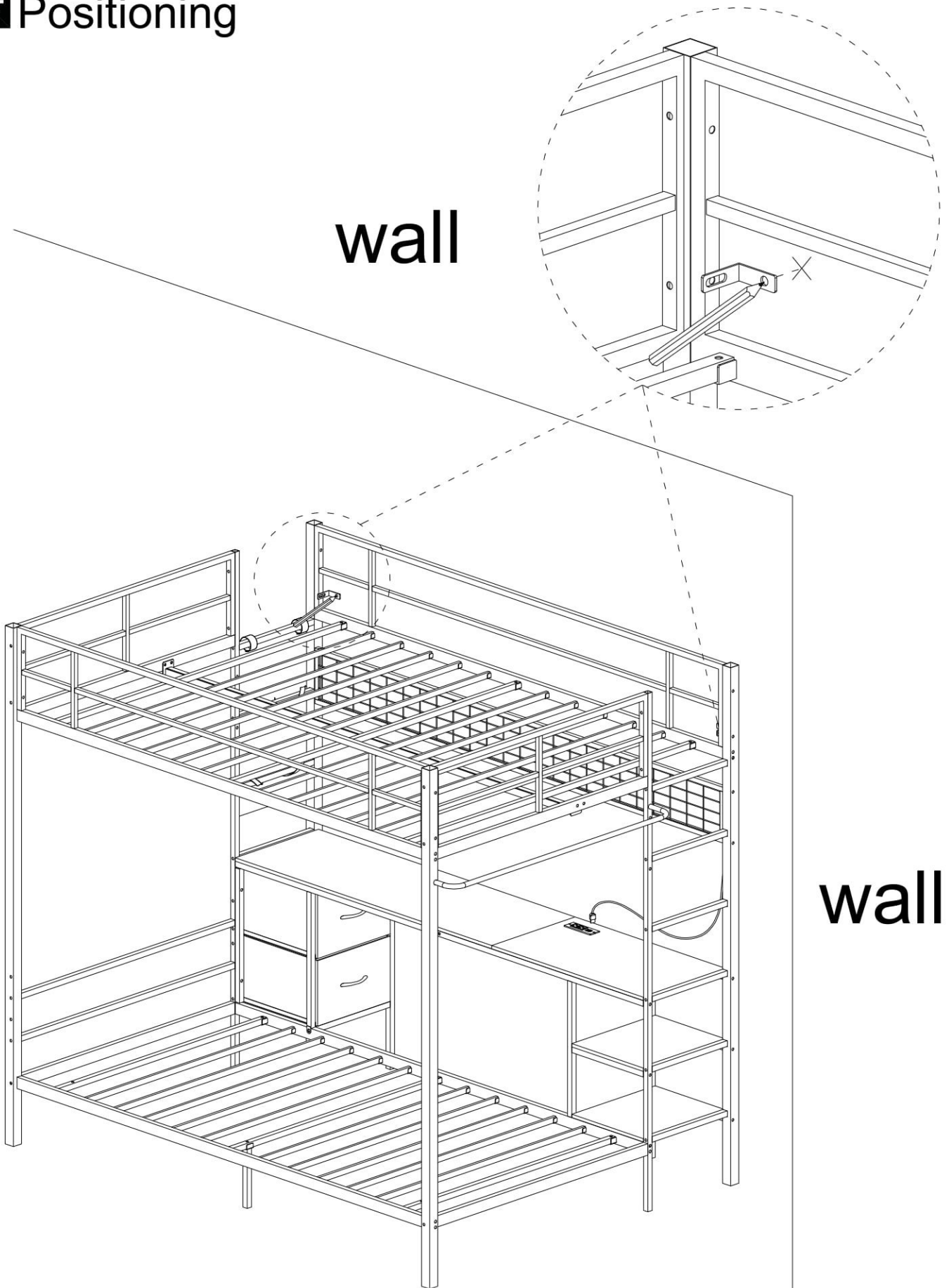
The anti tipping T component needs to be replaced on the opposite side

wall

**OR**

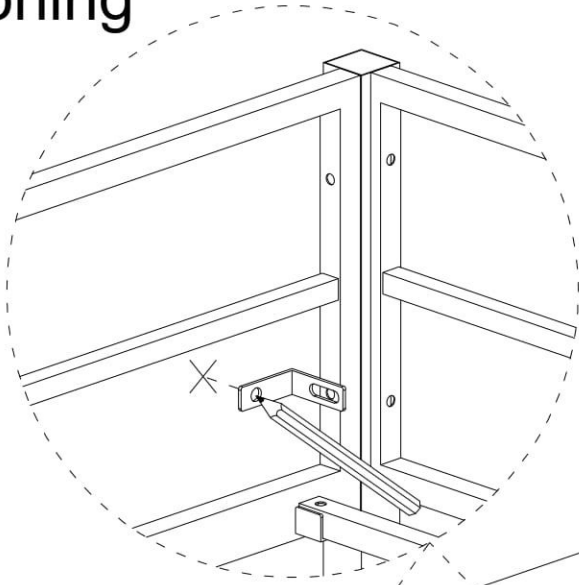


## 24 Positioning



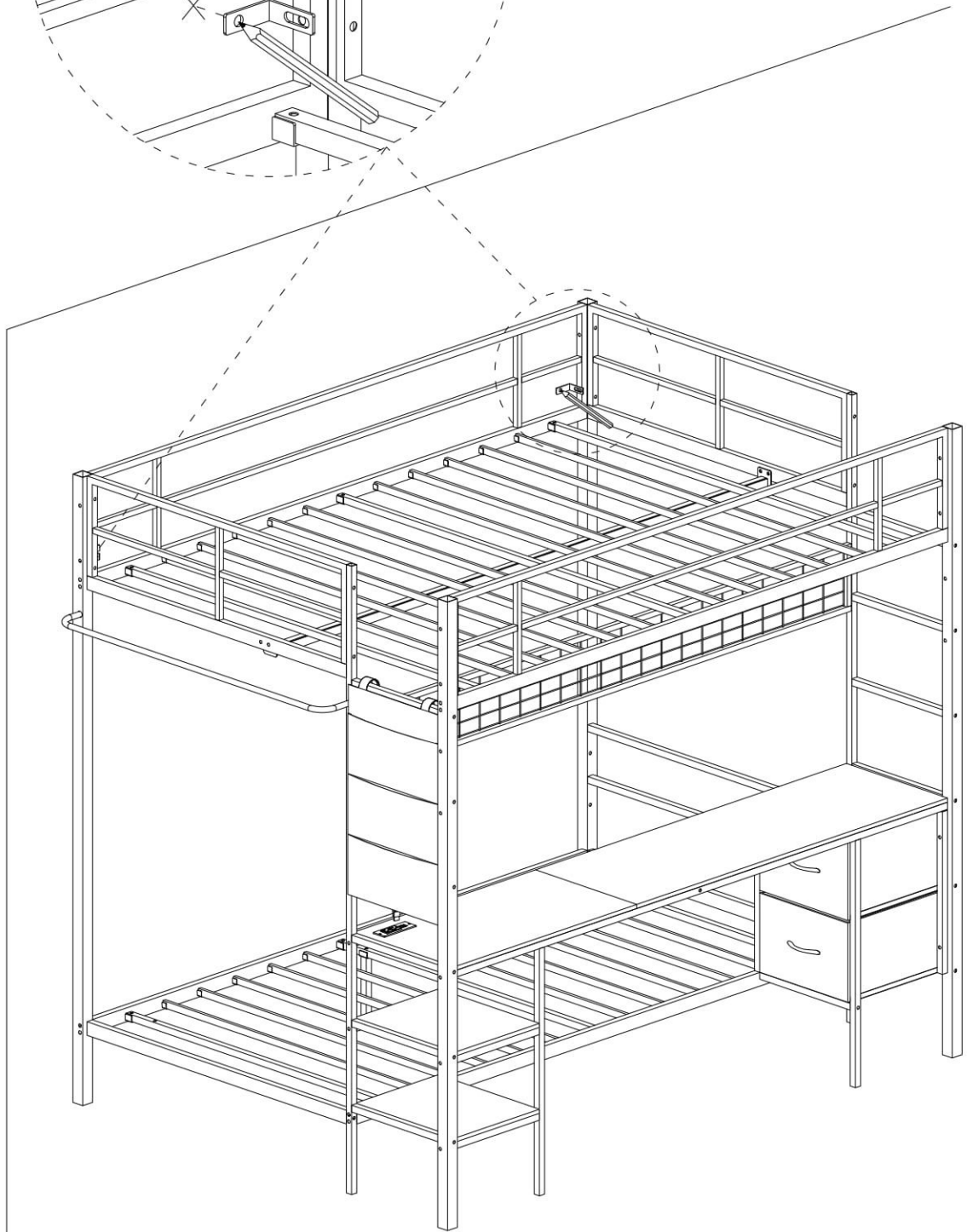
**24** Positioning

**OR**

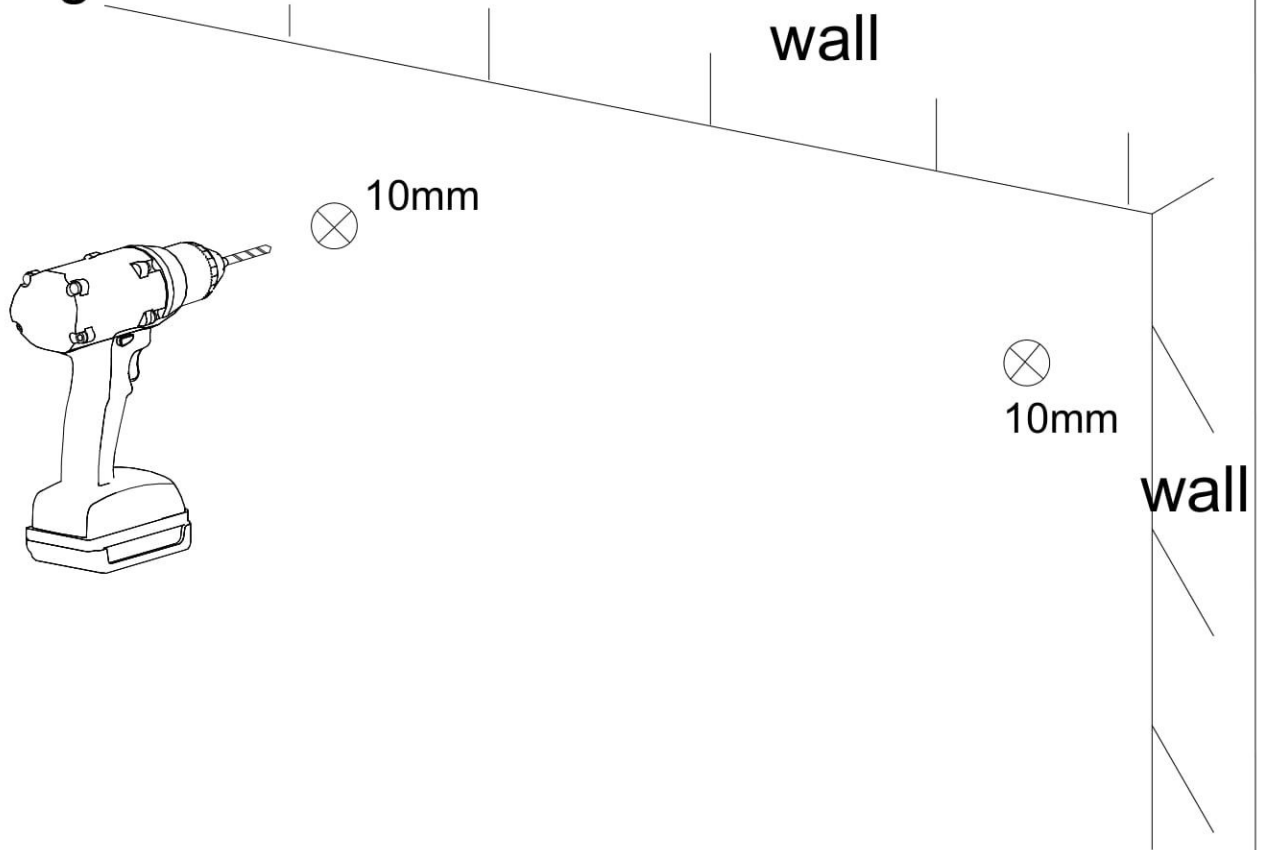


wall

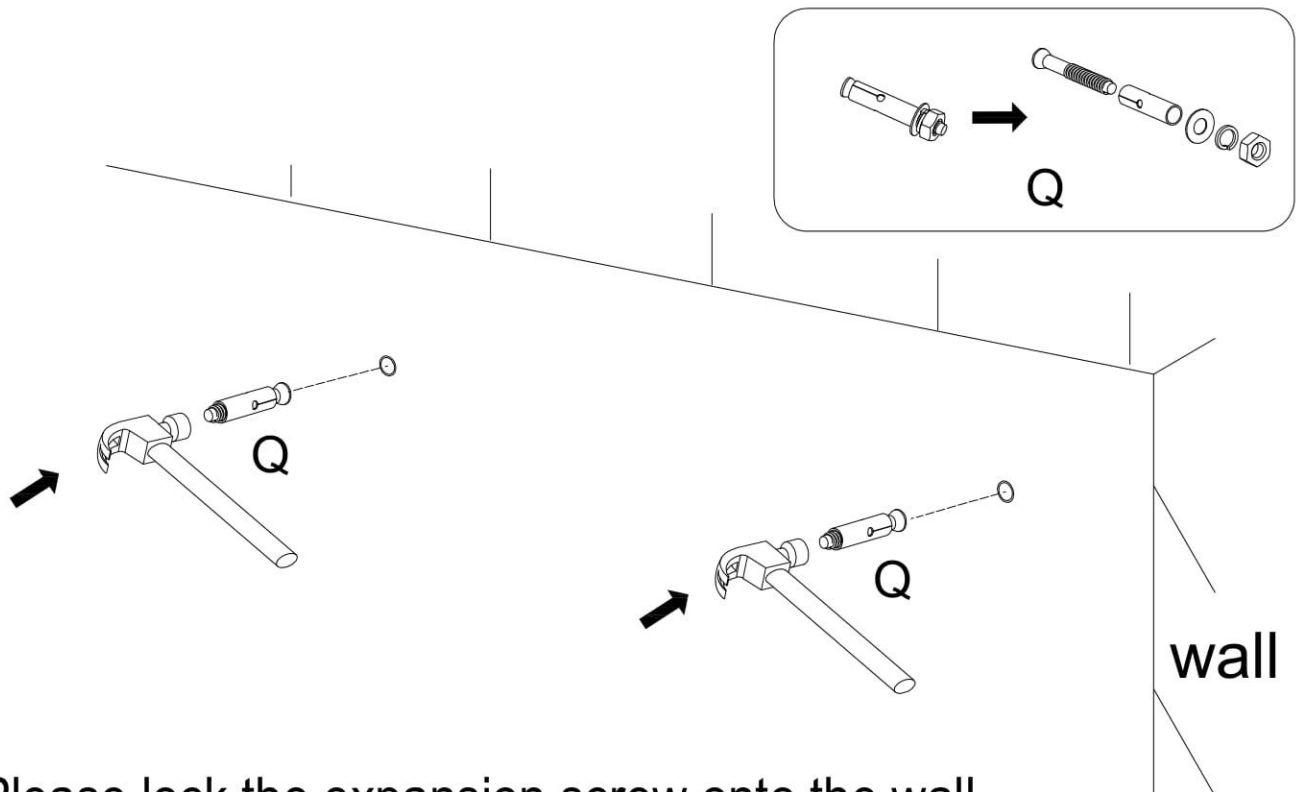
wall



## 25 Drilling

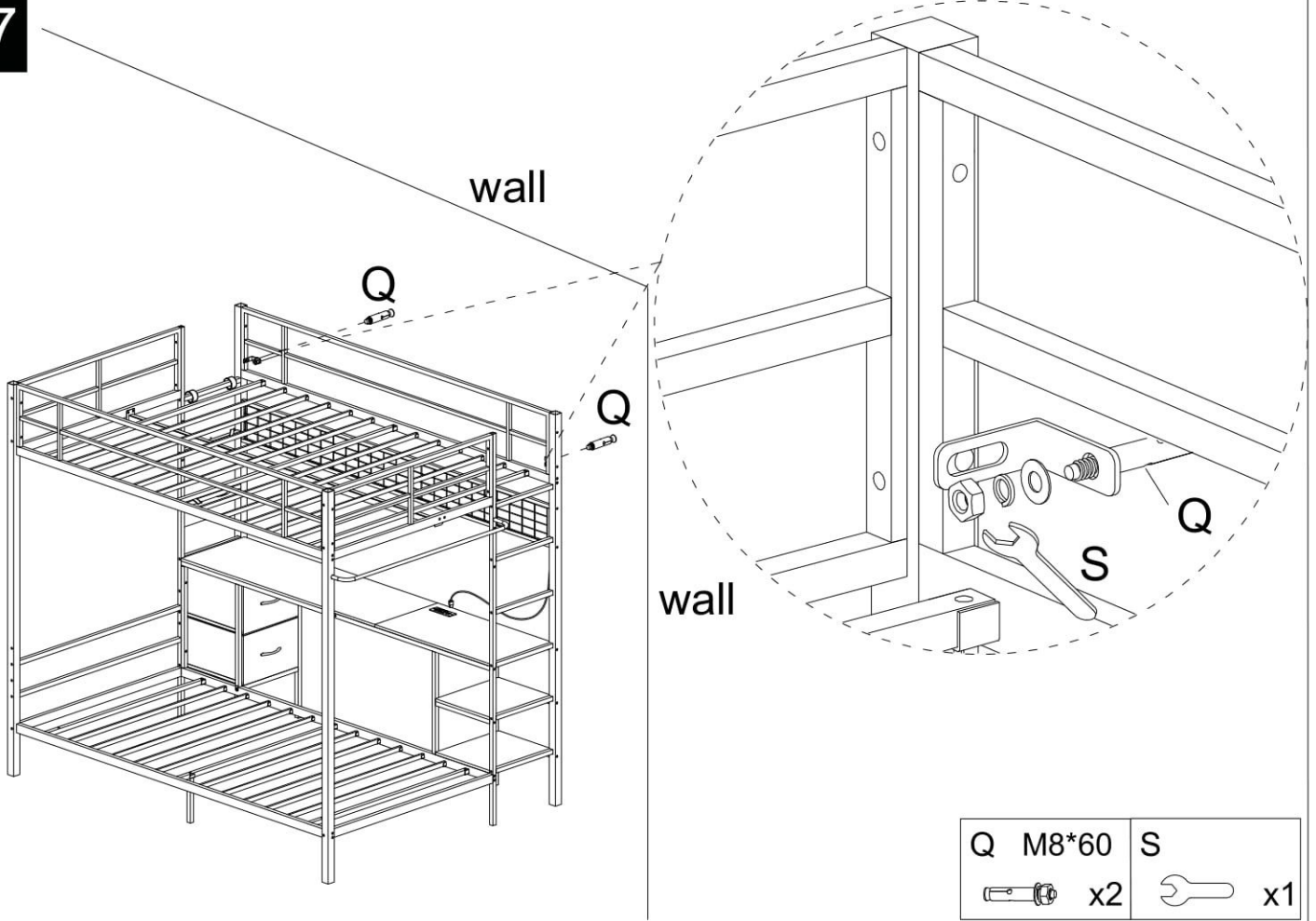


## 26

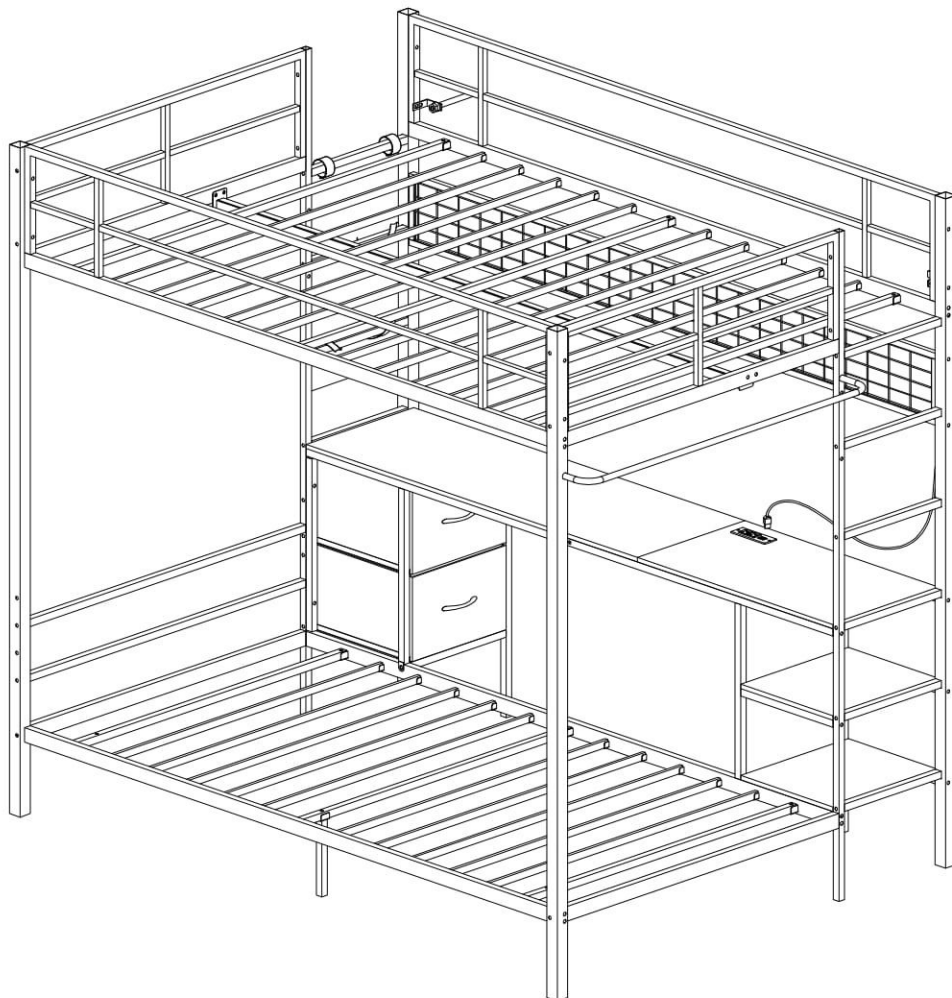


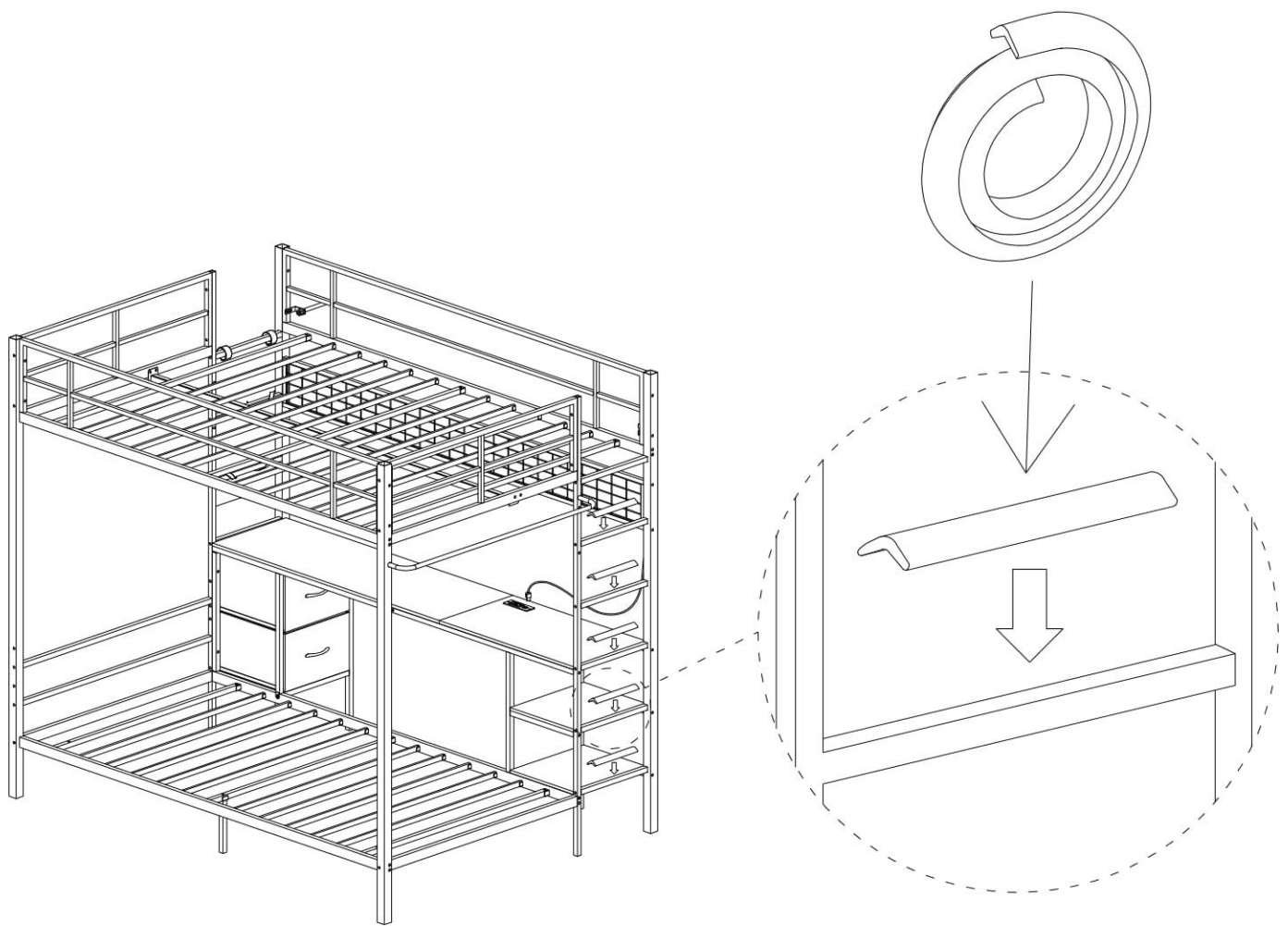
Please lock the expansion screw onto the wall.

27



28





### Giveaway:

If you feel hurt when your feet step on the stairs, you can cut the protective cotton according to the size of the stairs and glue the protective cotton to the stairs.