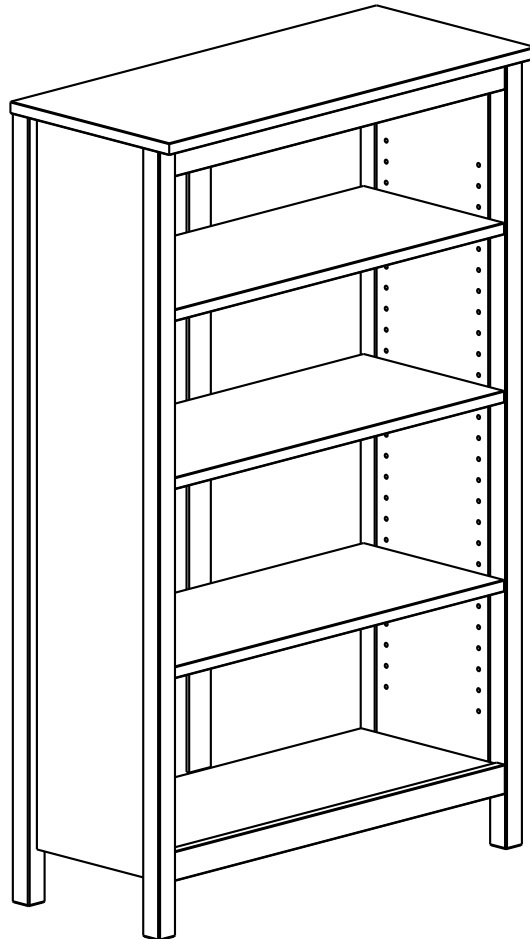


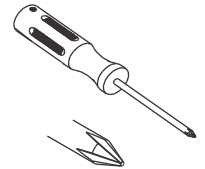
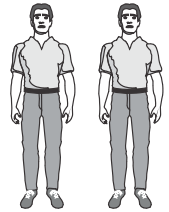
ASSEMBLY INSTRUCTIONS

CLASSIC SHAKER STYLE

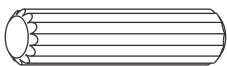
BOOKCASE 48" H



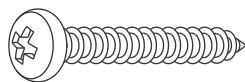
00:30 Hs



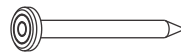
HARDWARE INCLUDED



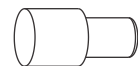
A -8,0x30 Wood Dowel
Qty. 16



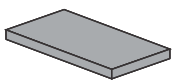
B -4,0x30 Screw
Qty. 16



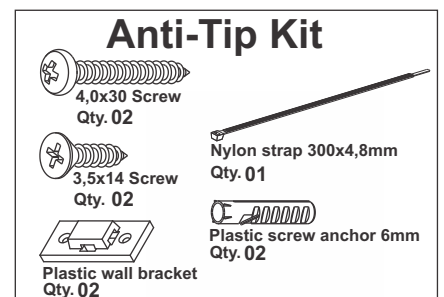
C -10x10 Nail
Qty. 26



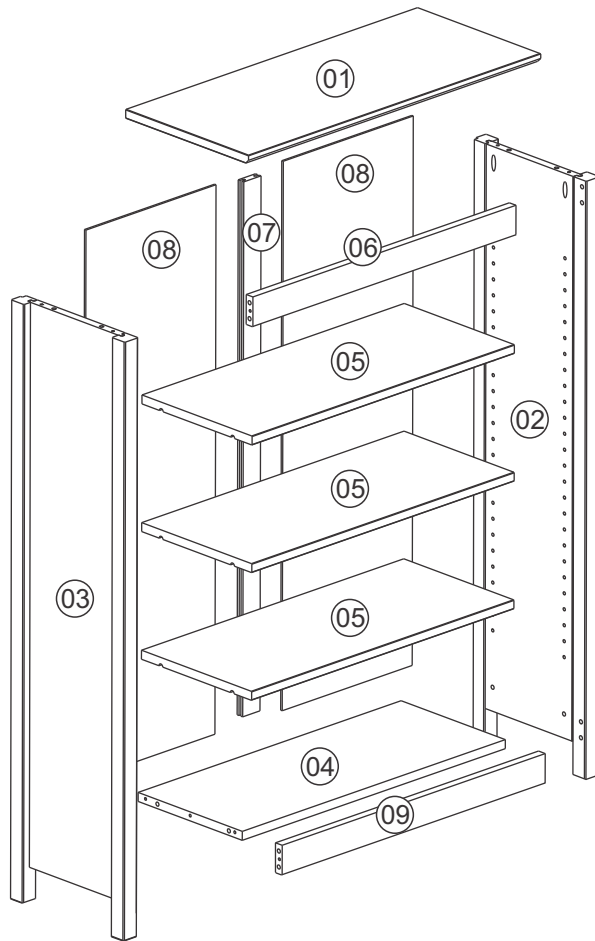
D - Shelf Support
Qty. 12



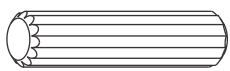
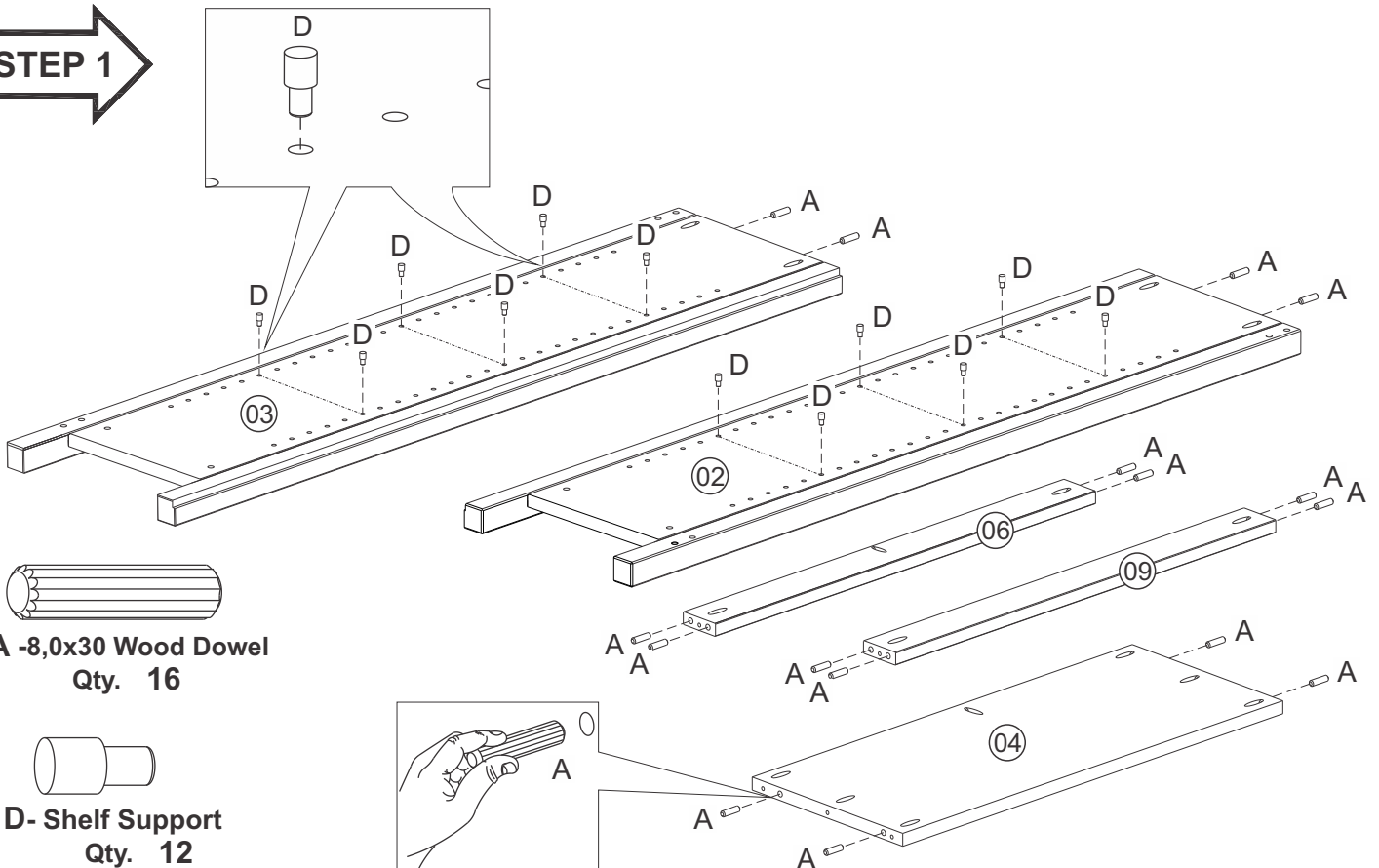
E -Sticker ribbon
Qty. 04



PARTS INCLUDED



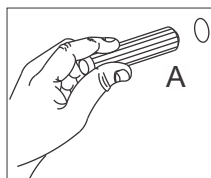
STEP 1



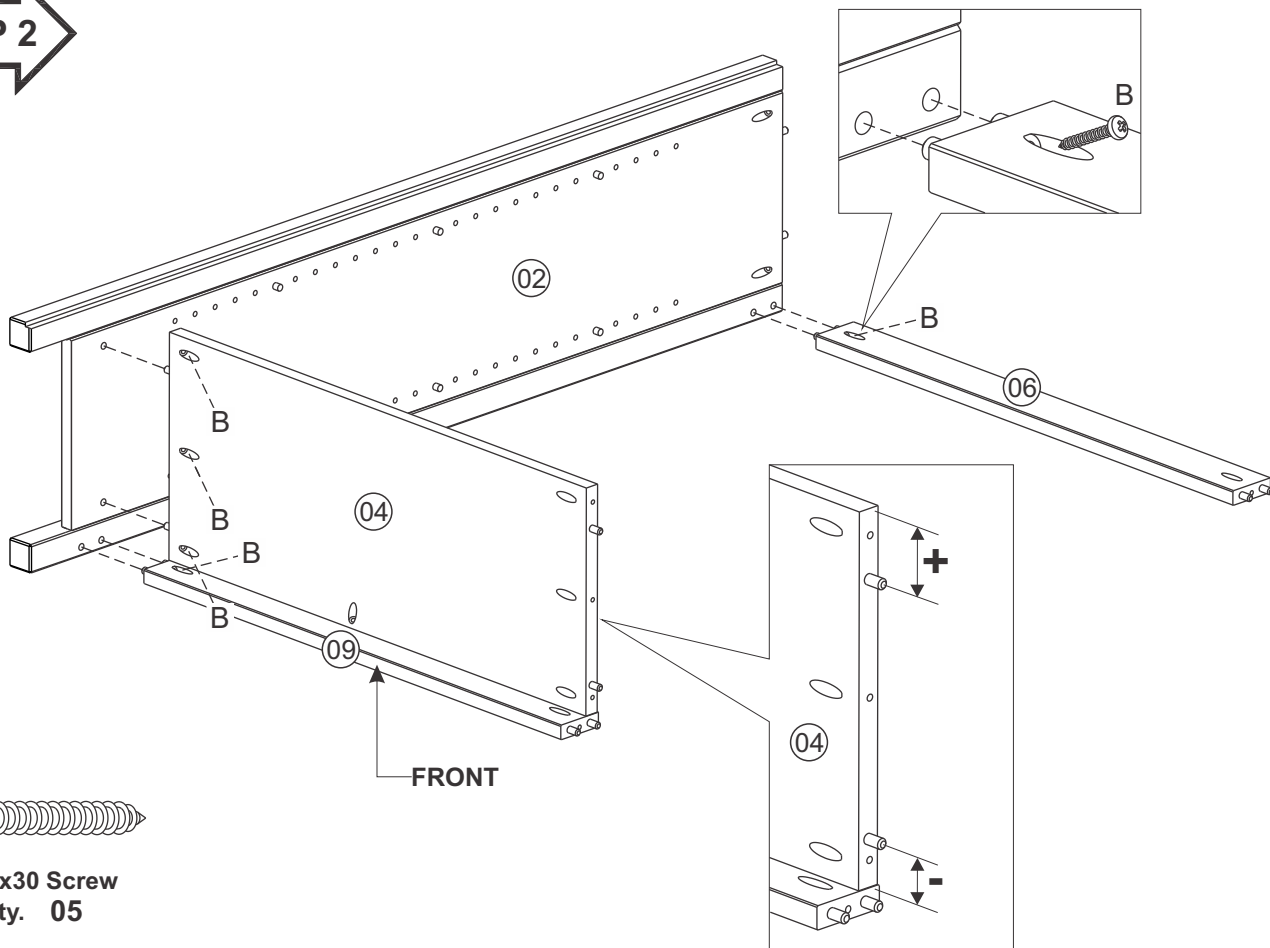
A -8,0x30 Wood Dowel
Qty. 16



D- Shelf Support
Qty. 12

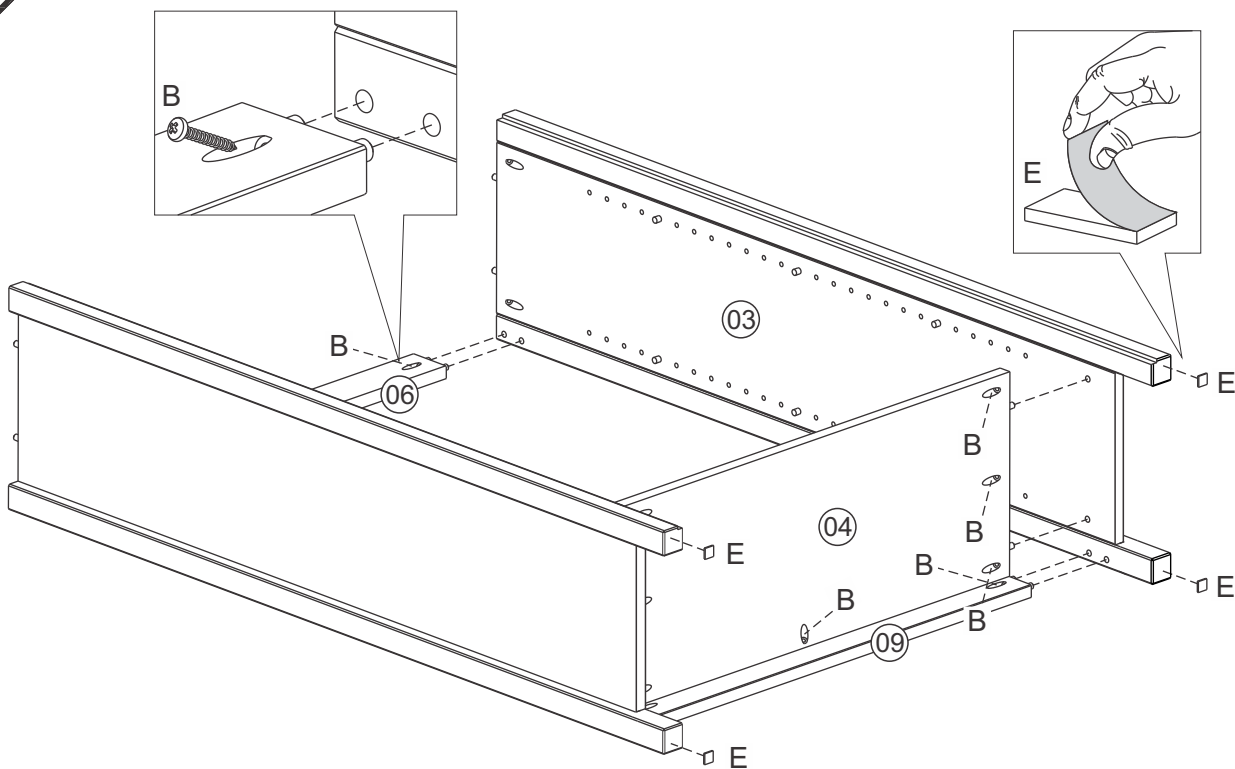


STEP 2

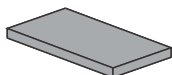


B -4,0x30 Screw
Qty. 05

STEP 3

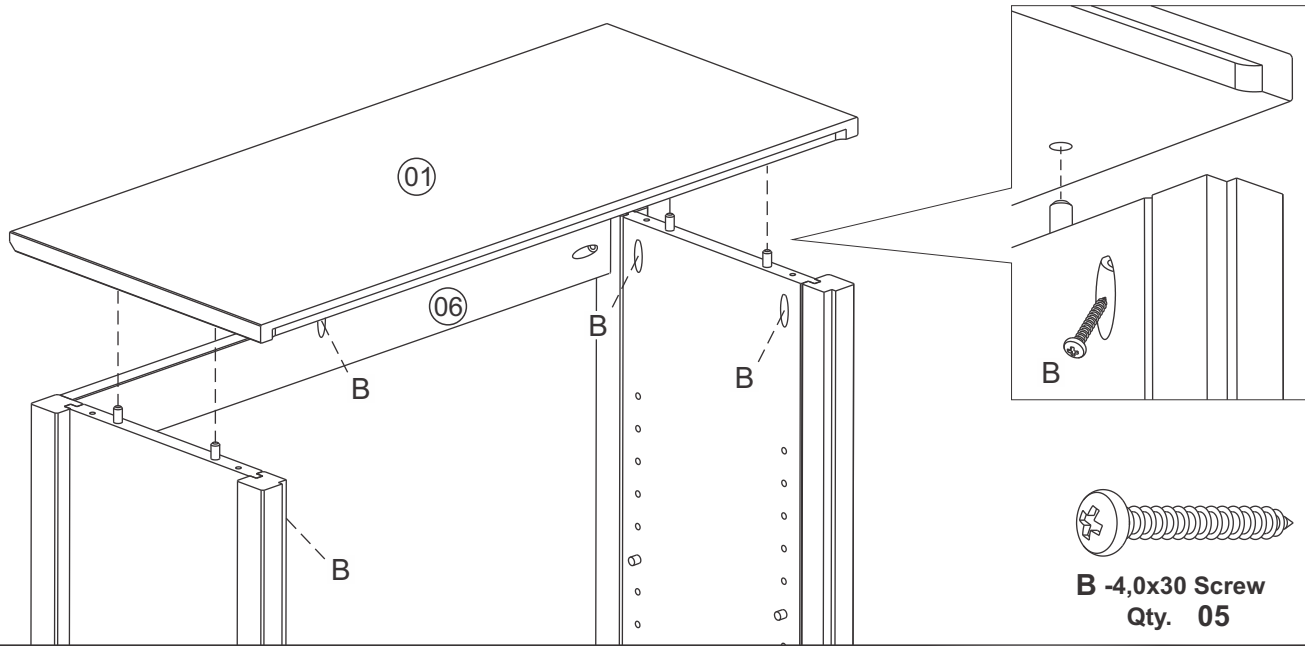


B -4,0x30 Screw
Qty. 06

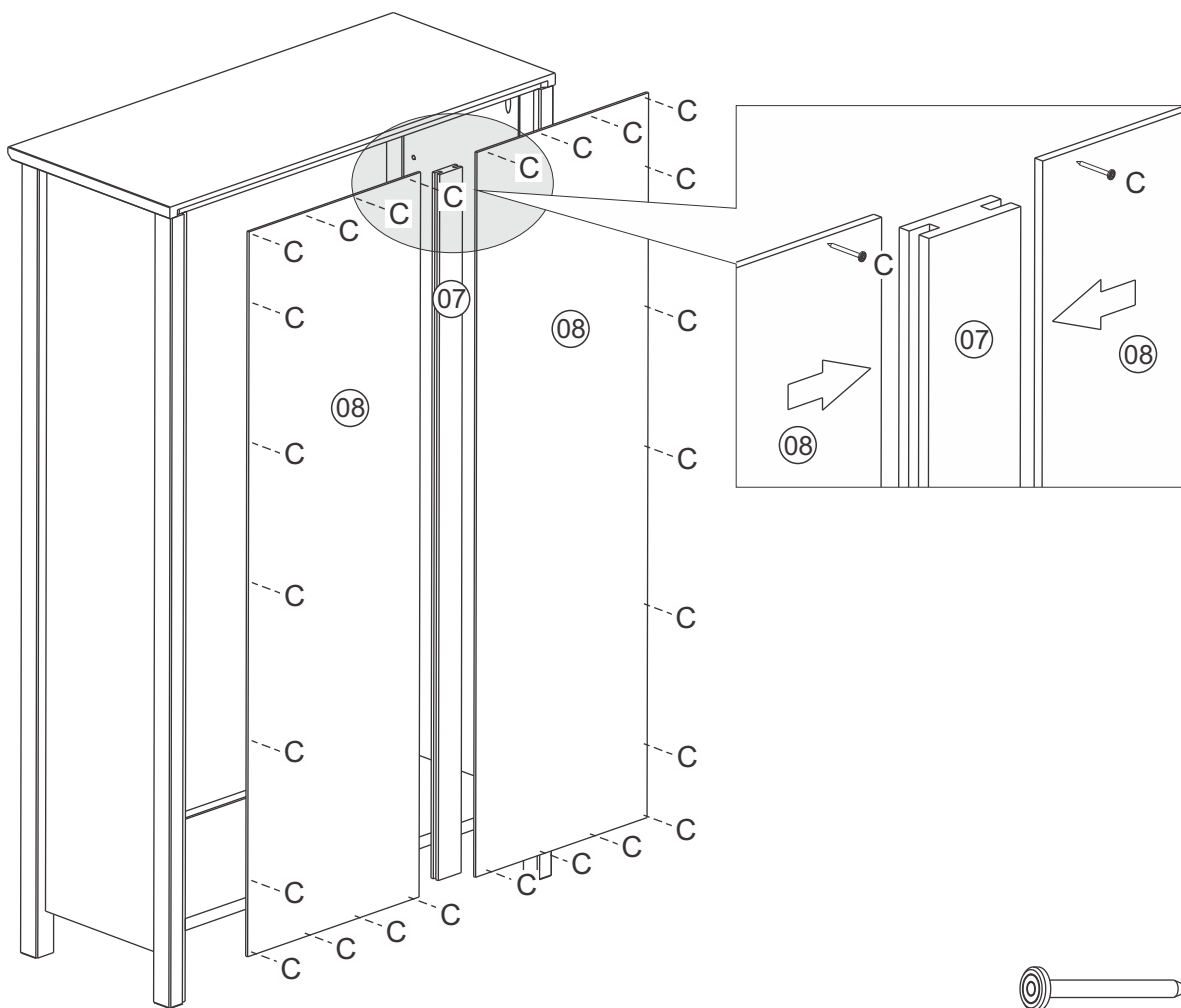


E -Sticker ribbon
Qty. 04

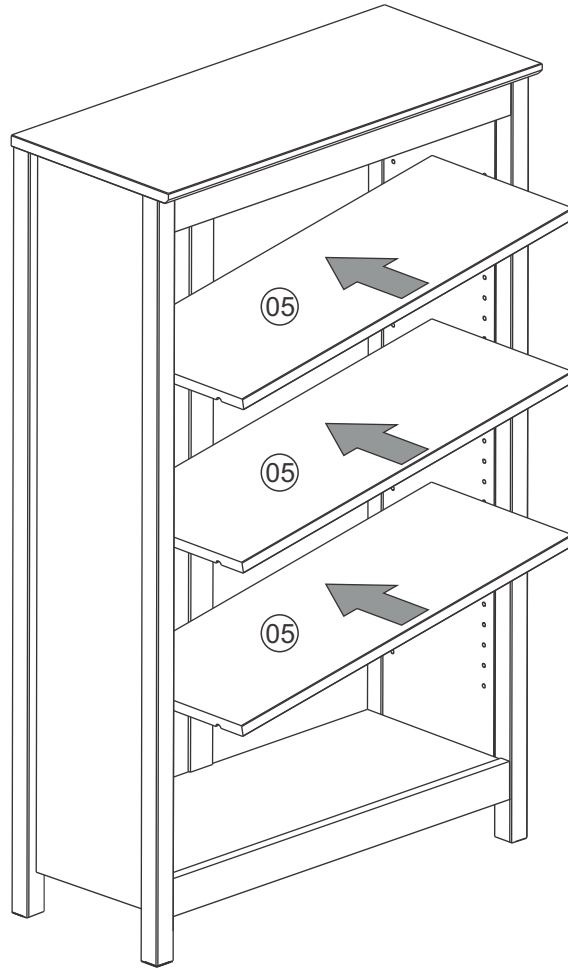
STEP 4

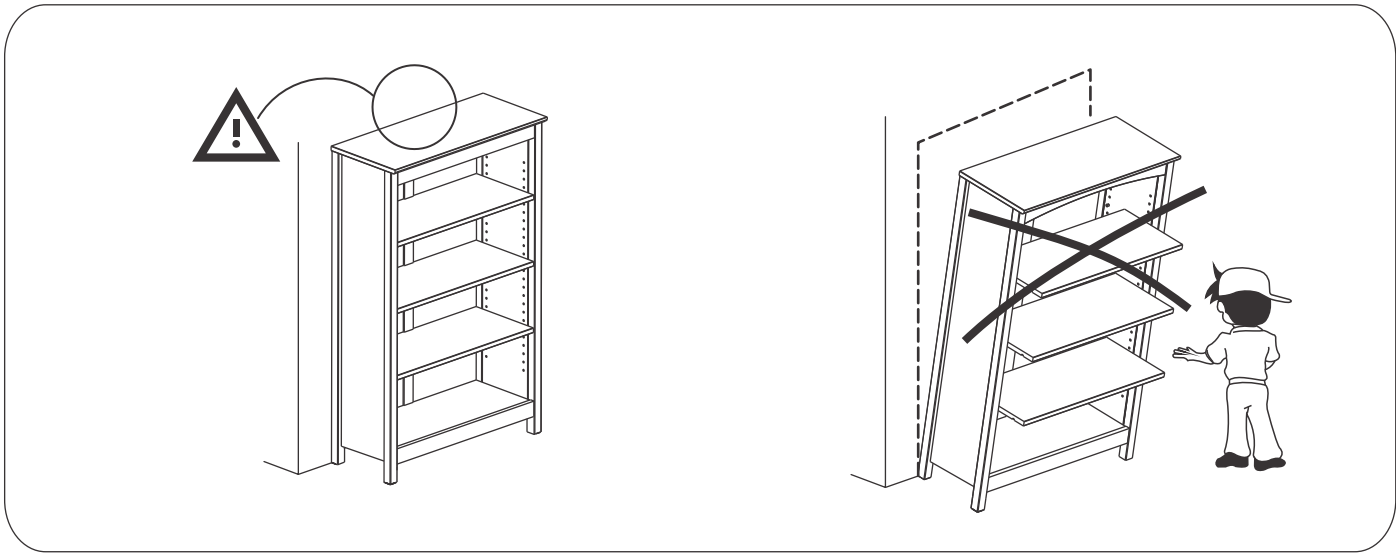


STEP 5

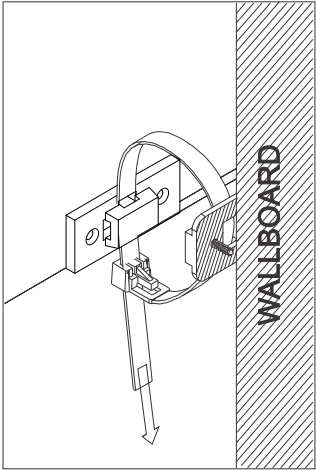
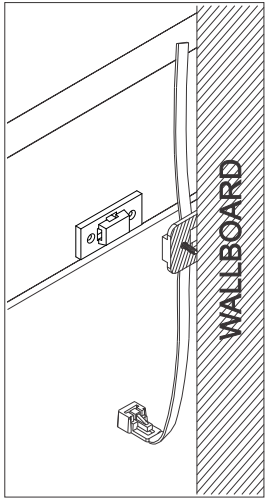
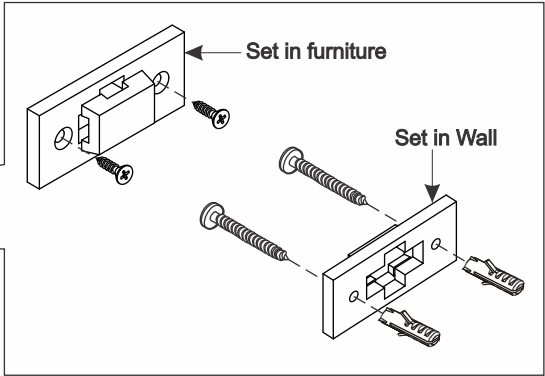
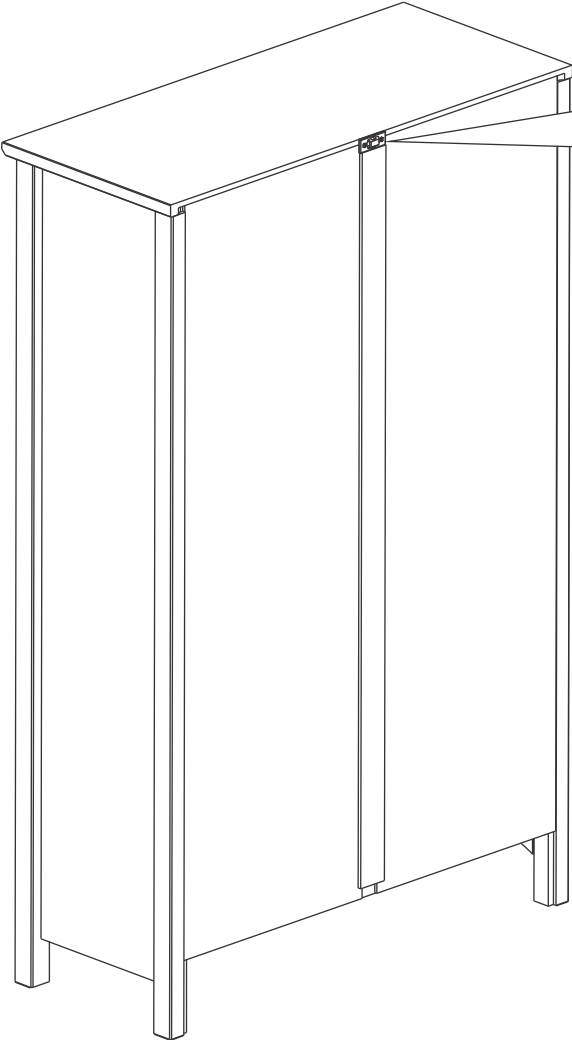




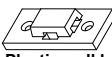


STEP 6





Anti-Tip Kit



- Anti-Tip Kit**
-  4,0x30 Screw
Qty. 02
 -  3,5x14 Screw
Qty. 02
 -  Plastic wall bracket
Qty. 02
 -  Nylon strap 380x7,6mm
Qty. 01
 -  Plastic screw anchor 6mm
Qty. 02