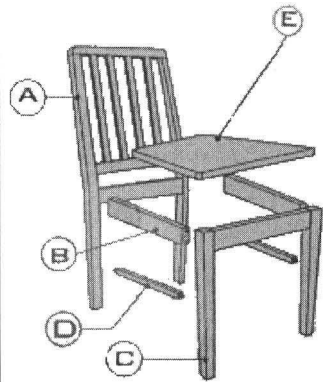
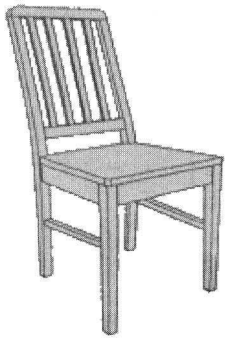


ASSEMBLY INSTRUCTION

DINING CHAIR



PARTS CHECK - LIST

CODE	COMPONENT	QTY
(A)	BACK STAND	X 1
(B)	SIDE RAIL	X 2
(C)	FRONT LEG	X 1
(D)	STRETCHER	X 2
(E)	SEAT	X 1

FITTING CHECK - LIST

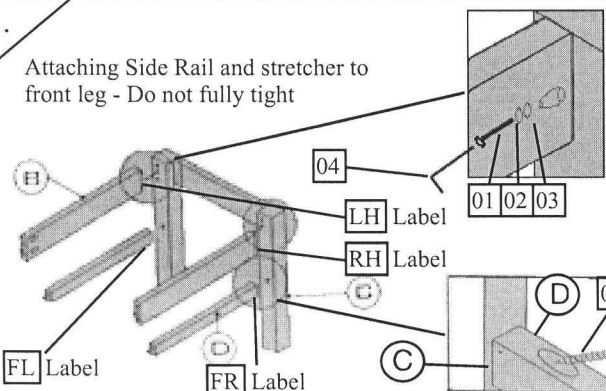
CODE	COMPONENT	QTY
(01)	JCBC	X 6
(02)	SPRING WASHER	X 6
(03)	FLAT WASHER	X 6
(04)	ALLEN KEY	X 1
(05)	CSK SCREW X 38mm	X 4
(06)	CSK SCREW X 30mm	X 4
(07)	FELT PAD	X 4

TOOL NEEDED  PHILLIP HEAD
(NOT PROVIDED) SCREW DRIVER

1. Please do not discard any of the packing until you have checked all the part of the fitting.
2. Please retightens the screw every six months.
3. Maximum load bearing - 100kg (200lbs).
4. Before you begin to ensure to assemble your new piece of furniture, please check to ensure that all part have been supplied.
5. Follow instruction closely as deviation from may void your warranty and present a possible safety risk.
6. It is recommended that assembly is done on a soft surface like carpet to avoid any damage.
7. Periodically check and re-tighten any fasteners. Wipe down all surface weekly with a clean cloth. Do not clean any surface with harsh abrasives or chemicals.

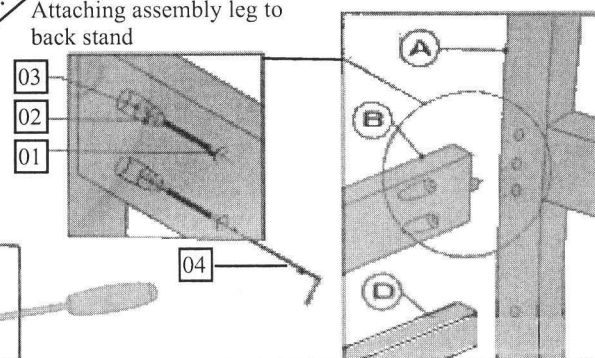
1.

Attaching Side Rail and stretcher to front leg - Do not fully tight



2.

Attaching assembly leg to back stand



3.

Attaching seat frame to assembly leg with CSK screw
- Re-tighten all the bolt and screw

