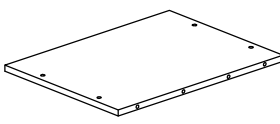
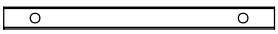
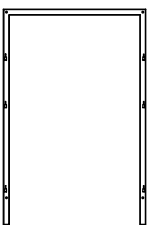
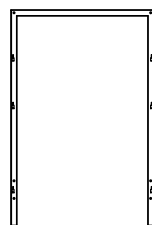

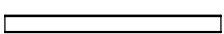
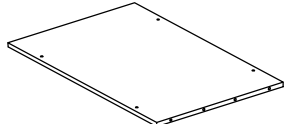
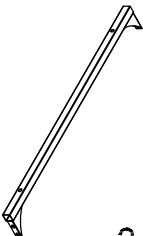
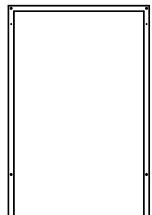
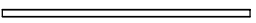
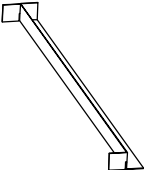
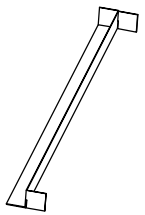


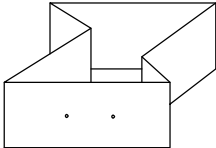
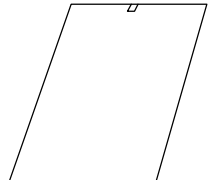
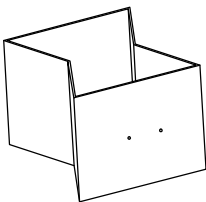
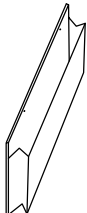
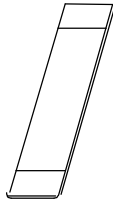


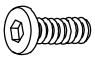
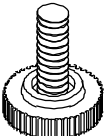
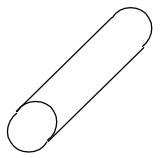
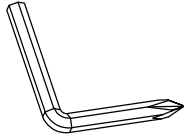
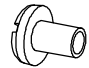
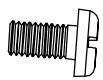


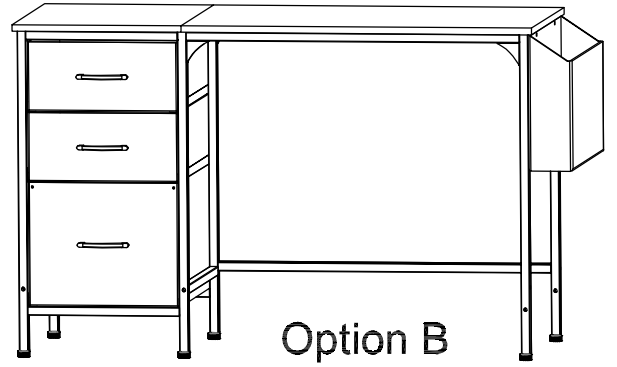
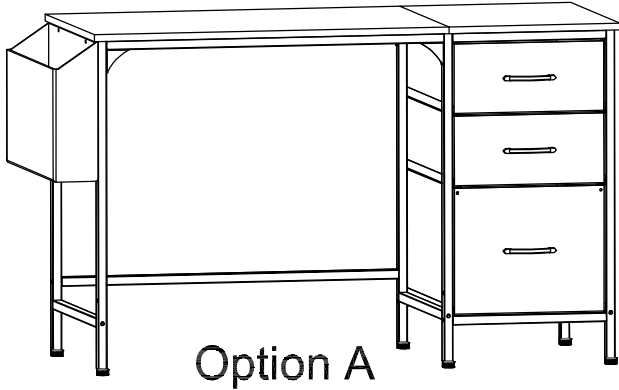


# ASSEMBLY INSTRUCTION

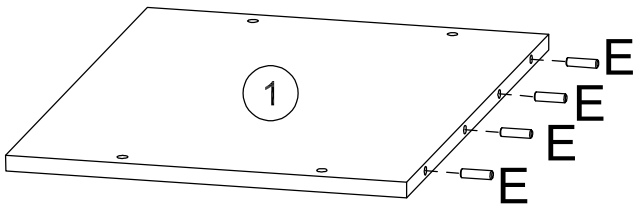
Attention: Do not tighten the screws until all of them are in right positions.

1. It's recommended to have two people for the installation, this will significantly improve your efficiency.
2. Before you begin: lay out all of the parts on a non-abrasive surface to identify the number tags in the manual and count before assembly. Please use the screws correctly to avoid popping the desk panel.
3. For a smooth assembly process, we suggest you keep a little tightness for all the screws during assembly. After the whole desk is assembled, firmly tighten all the screws.

<p>①</p>  <p>1 PC</p>	<p>②</p>  <p>2 PCS</p>	<p>③</p>  <p>1 PC</p>	<p>④</p>  <p>1 PC</p>	<p>⑤</p>  <p>3 PCS</p>
<p>⑥</p>  <p>2 PCS</p>	<p>⑦</p>  <p>1 PC</p>	<p>⑧</p>  <p>2 PCS</p>	<p>⑨</p>  <p>1 PC</p>	<p>⑩</p>  <p>1 PC</p>
<p>⑪</p>  <p>3 PCS</p>	<p>⑫</p>  <p>3 PCS</p>	<p>⑬</p>  <p>2 PCS</p>	<p>⑭</p>  <p>2 PCS</p>	<p>⑮</p>  <p>2 PCS</p>
<p>⑯</p>  <p>3 PCS</p>	<p>⑰</p>  <p>1 PC</p>	<p>⑱</p>  <p>1 PC</p>	<p>⑲</p>  <p>1 PC</p>	
<p>A</p>  <p>M6 x 35mm</p> <p>18 PCS</p>	<p>B</p>  <p>M6*28mm Black screws for desktop fixation</p> <p>8 PCS</p>	<p>C</p>  <p>M6 x 10mm</p> <p>6 PCS</p>	<p>D</p>  <p>6 PCS</p>	<p>E</p>  <p>4 PCS</p>
<p>F</p>  <p>1 PC</p>	<p>G1</p>  <p>M4 x 6mm</p> <p>4 PCS</p>	<p>G2</p>  <p>M4 x 6mm</p> <p>4 PCS</p>	<p>H</p>  <p>3 PCS</p>	<p>L</p>  <p>M4 x 6mm</p> <p>6 PCS</p>

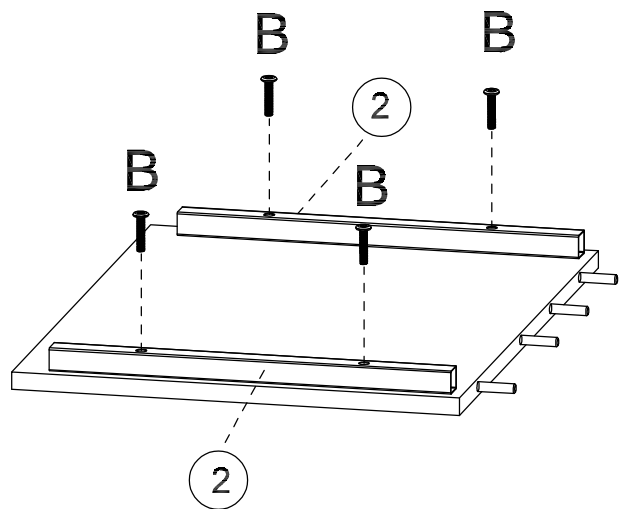
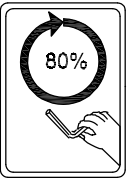


## step 1



①	X	1
E	X	4

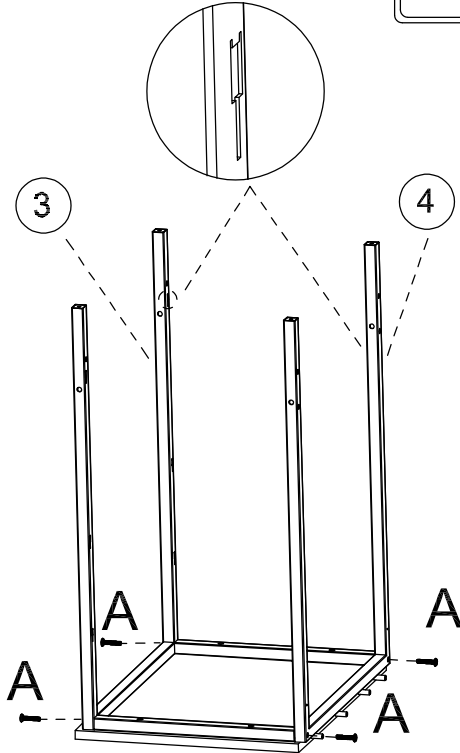
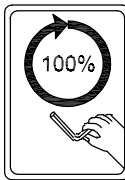
## step 2



②	X	2
B	X	4

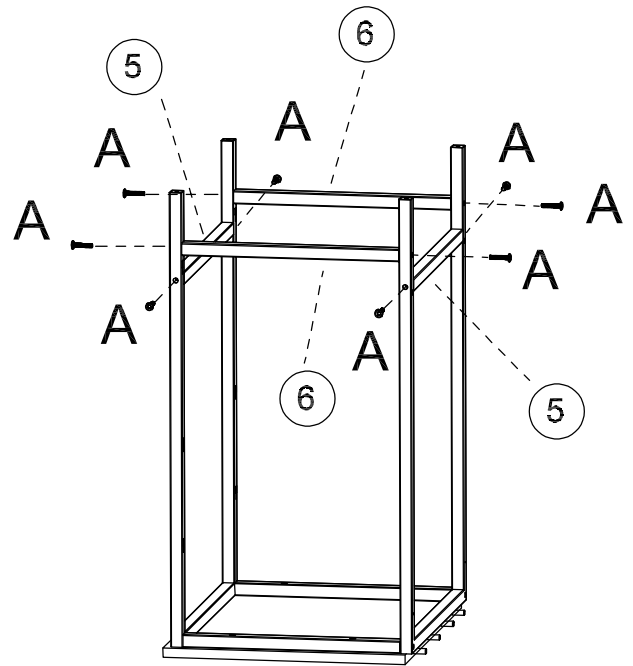
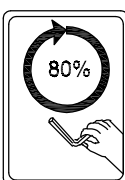
# step 3

Square holes face inward



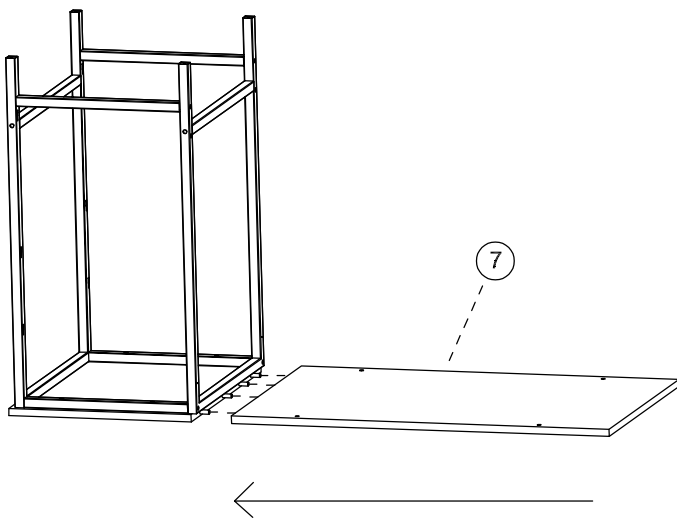
③	X	1
④	X	1
A	X	4

# step 4



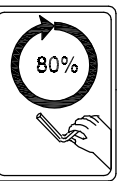
⑤	X	2
⑥	X	2
A	X	8

# step 5

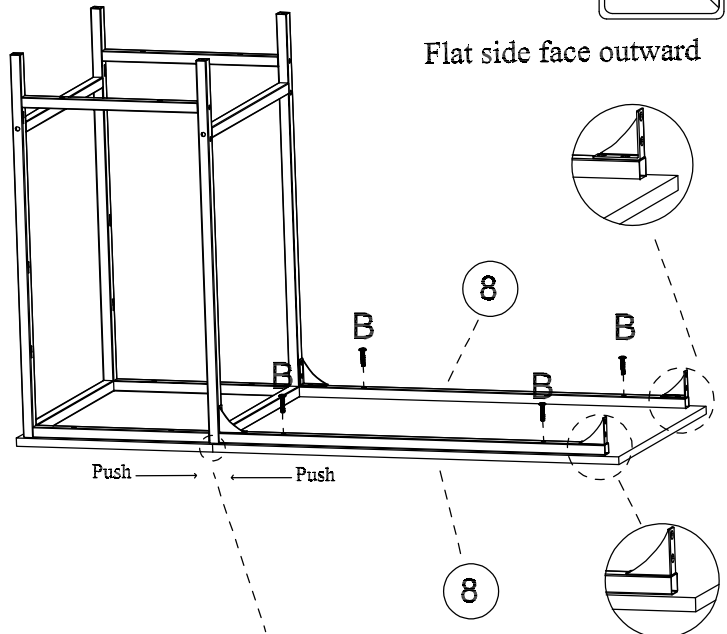


⑦	X	1
---	---	---

# step 6



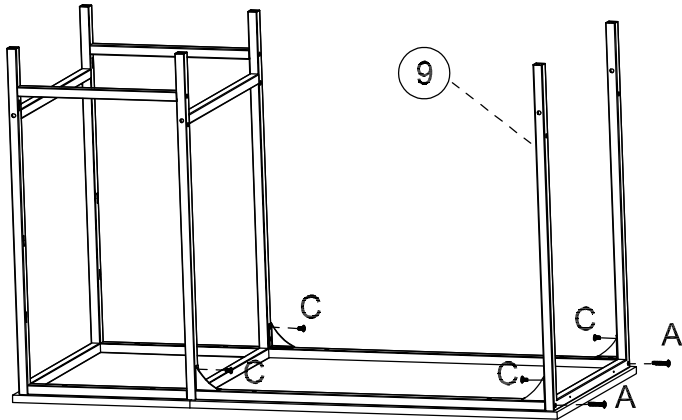
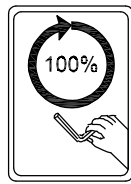
Flat side face outward



Notice: Keep all the screws 80% tightness first, then push the ① & ⑦ desktop, make sure no gap, tighten the screws finally.

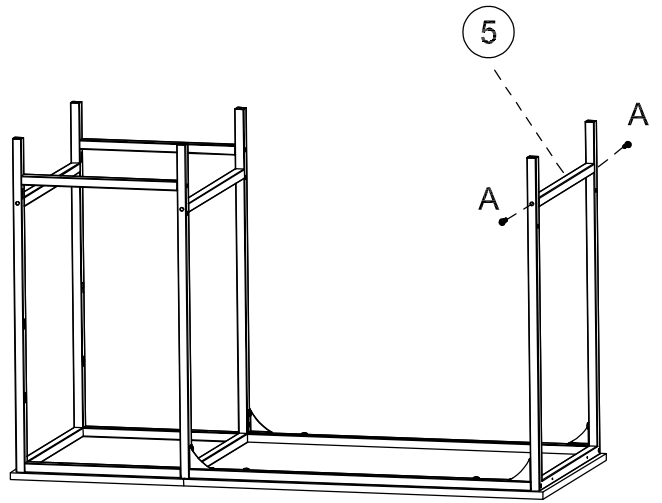
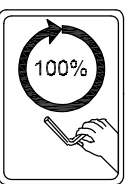
⑧	X	2
B	X	4

# step 7

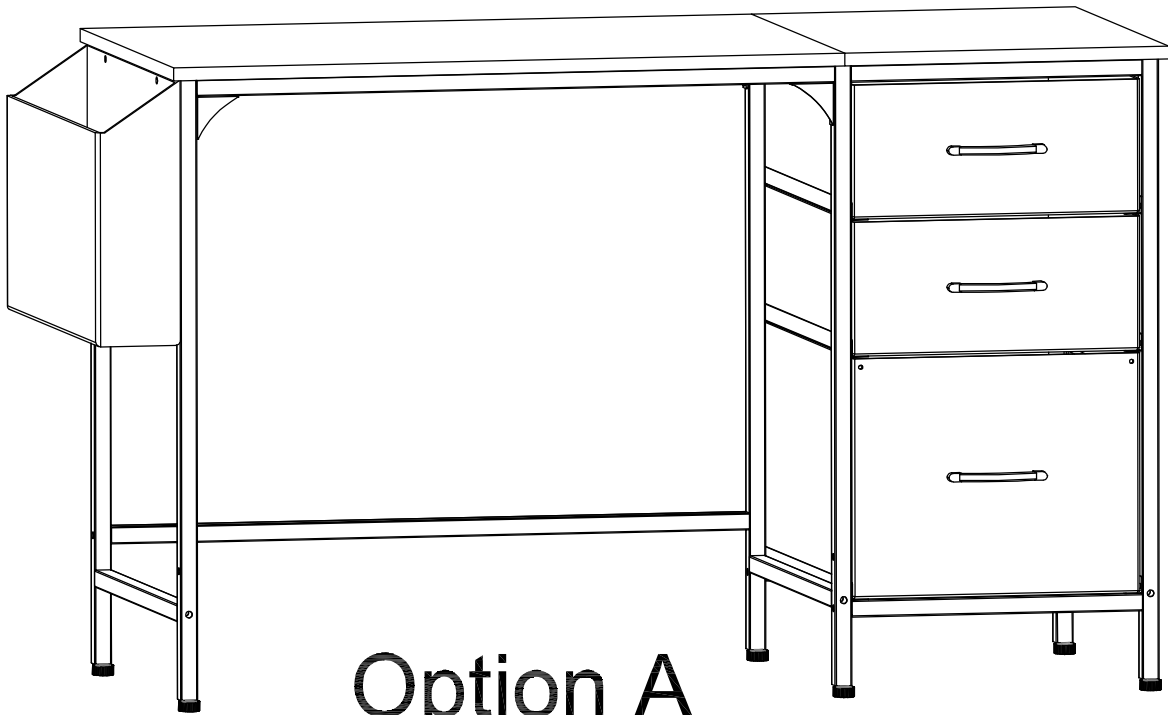


9	X	1
C	X	4
A	X	2

# step 8

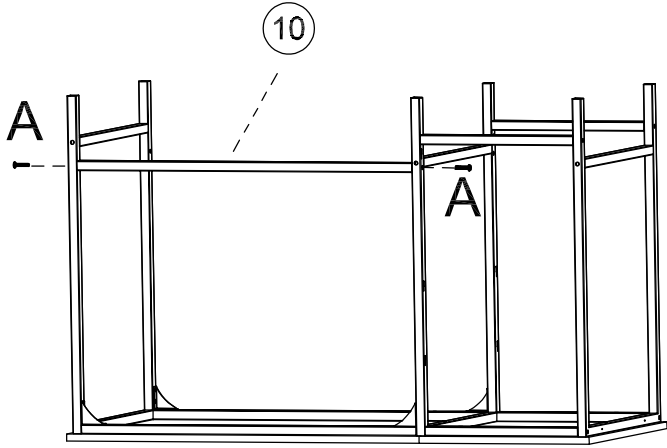
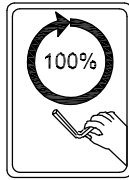


5	X	1
A	X	2

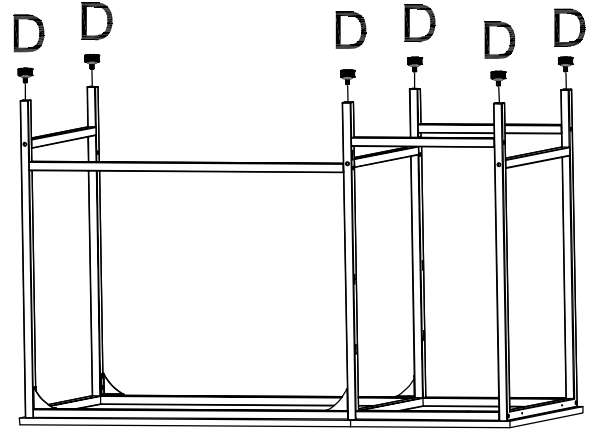
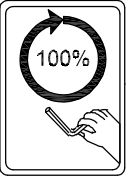


Option A

# step 9



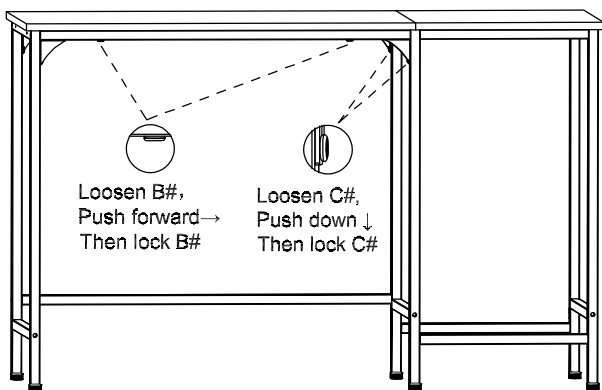
# step 10



10	X	1
A	X	2

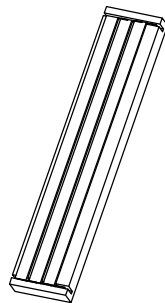
D	X	6
---	---	---

# step 11

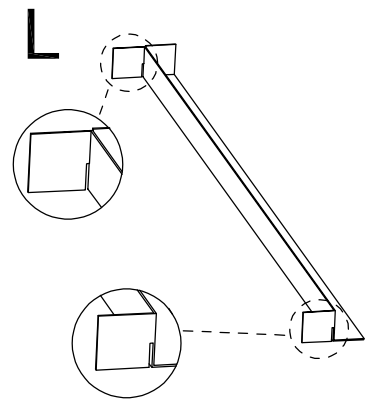


Notice: If the desktop is uneven, please adjust as described above.

# step 12

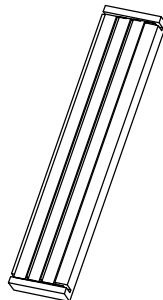


Pocking box

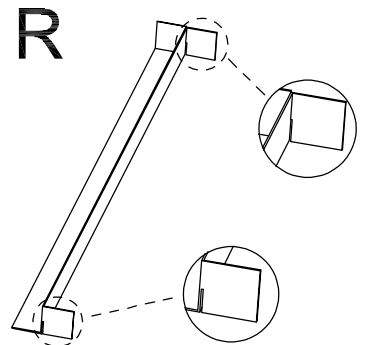


If the part is deformed, please gently correct it.

11	X	3
----	---	---



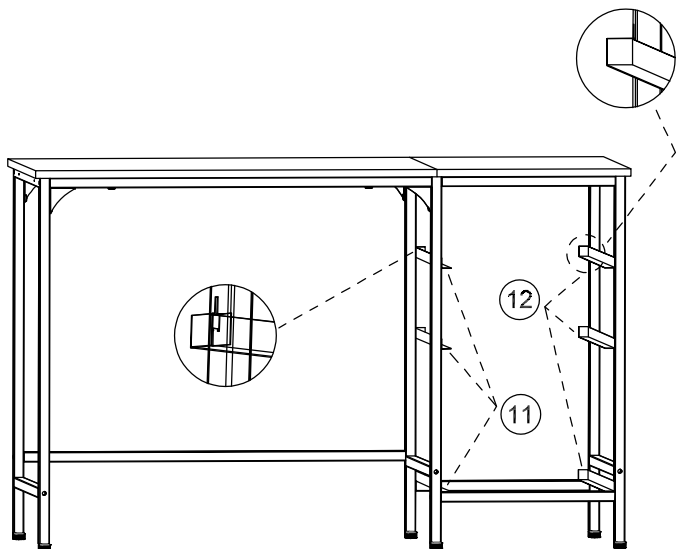
Pocking box



If the part is deformed, please gently correct it.

12	X	3
----	---	---

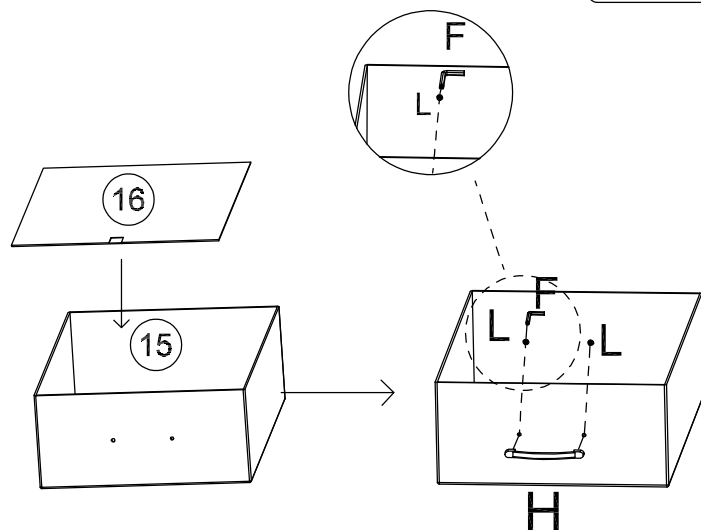
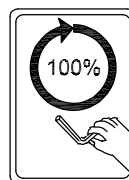
# step 13



Insert ①① and ①② into the hole, press down and then push forward to lock them in place.

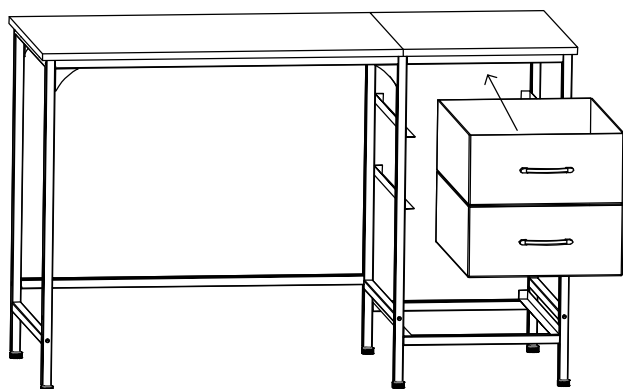
①①	X	3
①②	X	3

# step 14

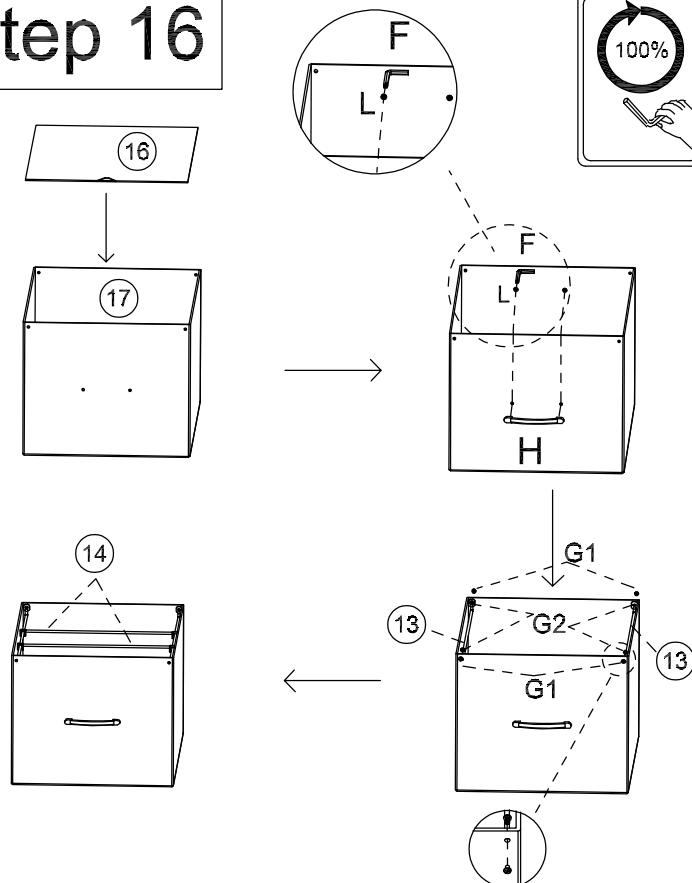
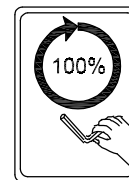


①⑤	X	2
①⑥	X	2
L	X	4
H	X	2

# step 15

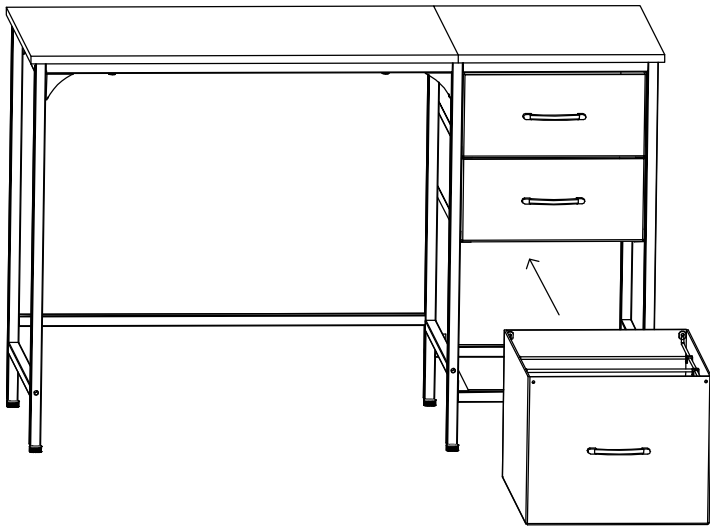


# step 16

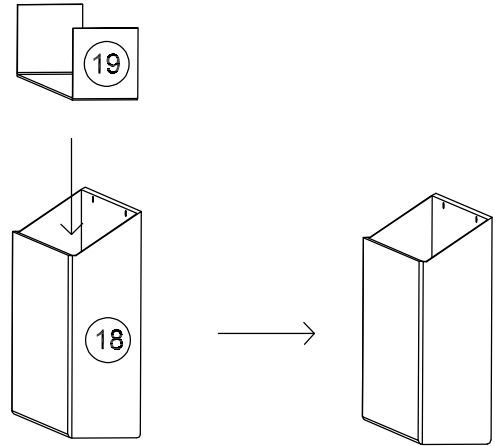


①⑥	X	1	①③	X	2	G1	X	4	L	X	2
①⑦	X	1	①④	X	2	G2	X	4	H	X	1

# step 17

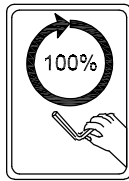


# step 18

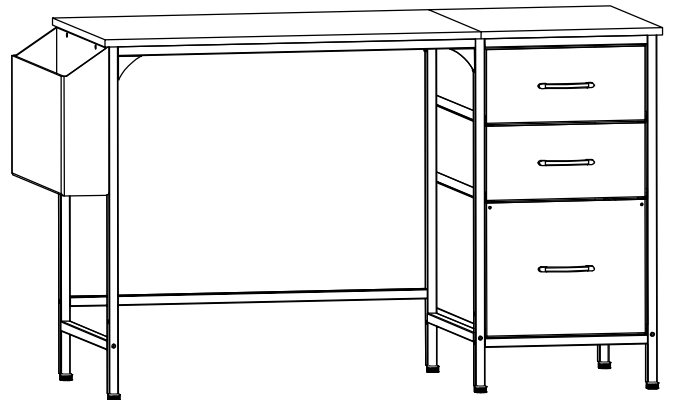
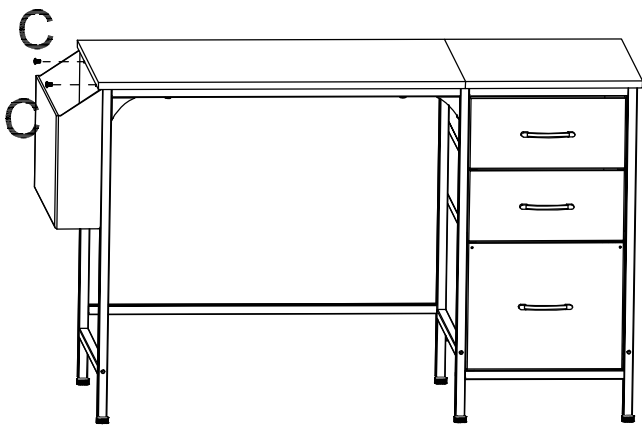


18	X	1
19	X	1

# step 19

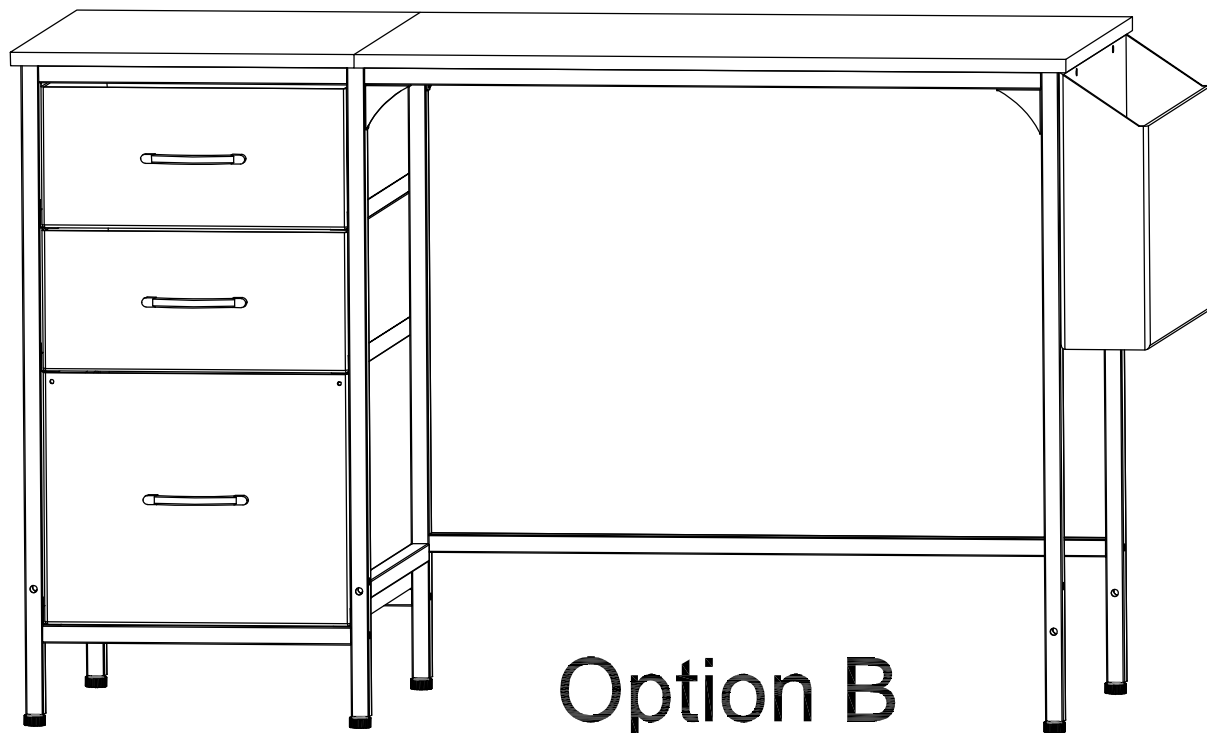


# step 20

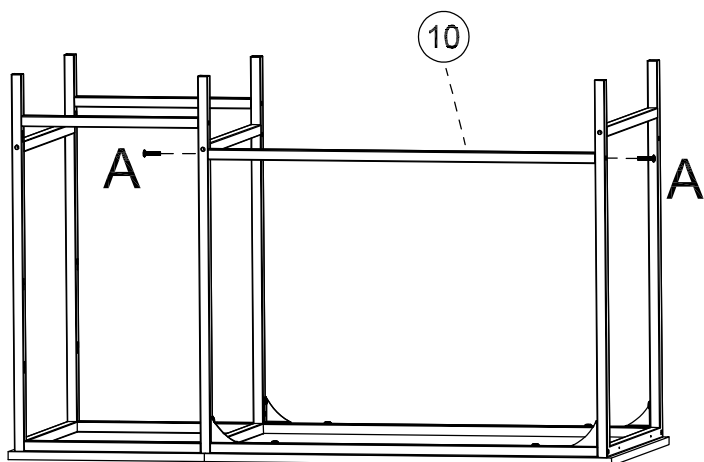
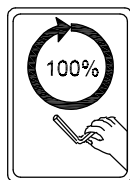


Tighten all the screws from step 1 to step 20

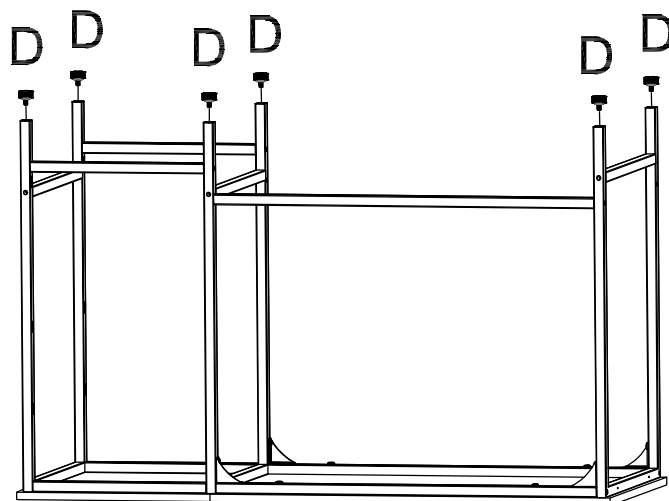
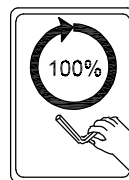
C	X	2
---	---	---



**step 9**



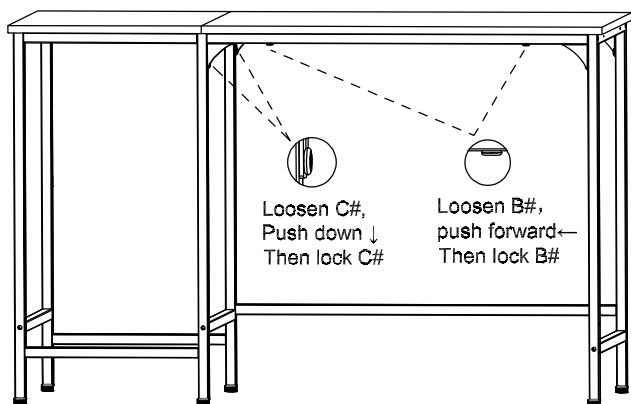
**step 10**



10	X	1
A	X	2

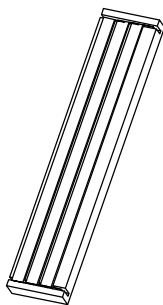
D	X	6
---	---	---

# step 11



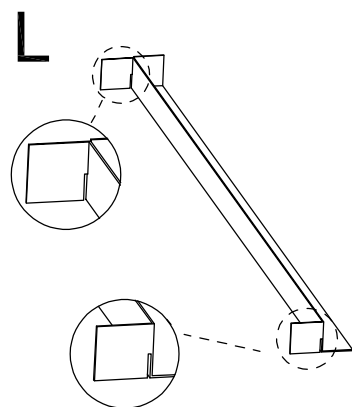
Notice: If the desktop is uneven, please adjust as described above.

# step 12

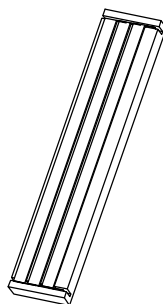


Pocking box

①①	X	3
----	---	---

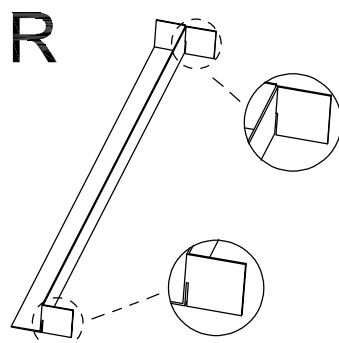


If the part is deformed, please gently correct it.



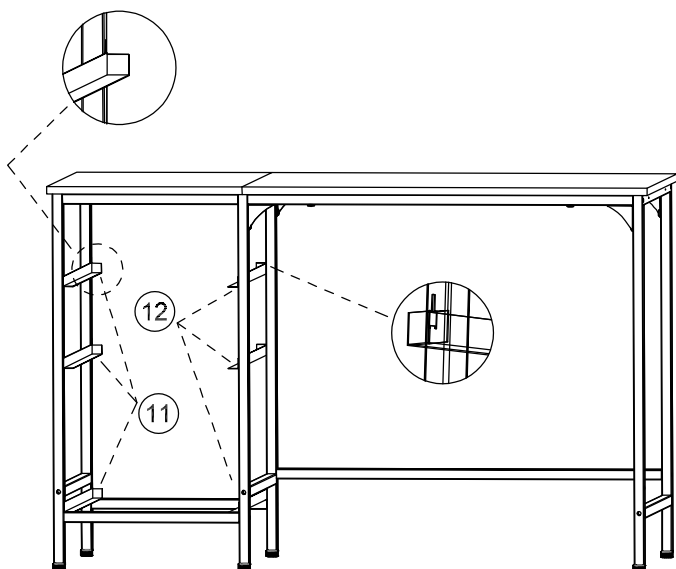
Pocking box

①②	X	3
----	---	---



If the part is deformed, please gently correct it.

# step 13

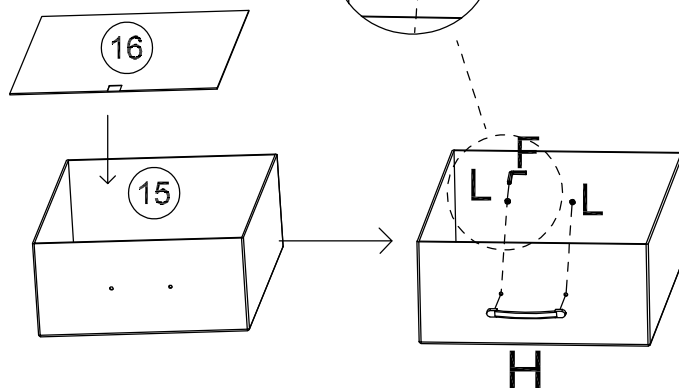
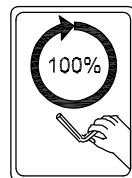


Insert ①① and ①② into the hole, press down and then push forward to lock them in place.

①①	X	3
----	---	---

①②	X	3
----	---	---

# step 14



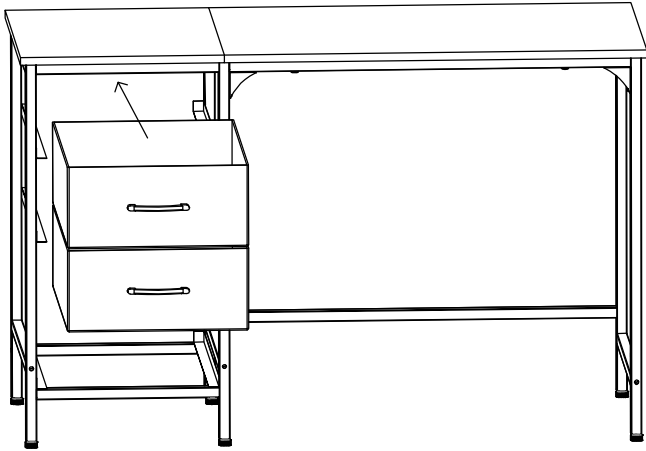
①⑤	X	2
----	---	---

①⑥	X	2
----	---	---

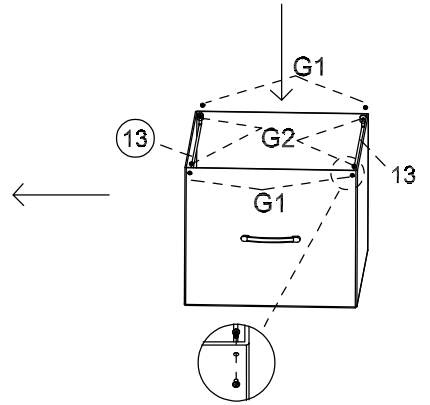
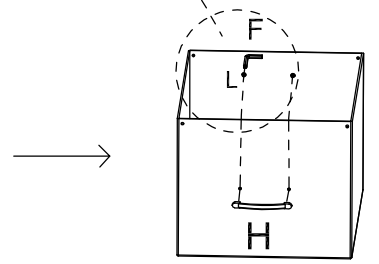
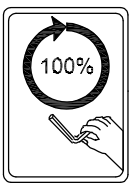
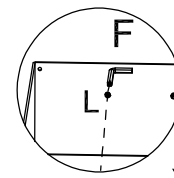
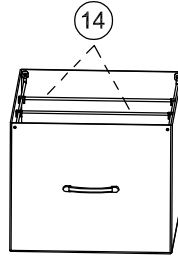
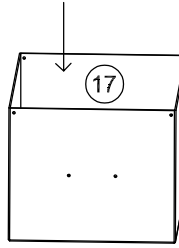
L	X	4
---	---	---

H	X	2
---	---	---

# step 15

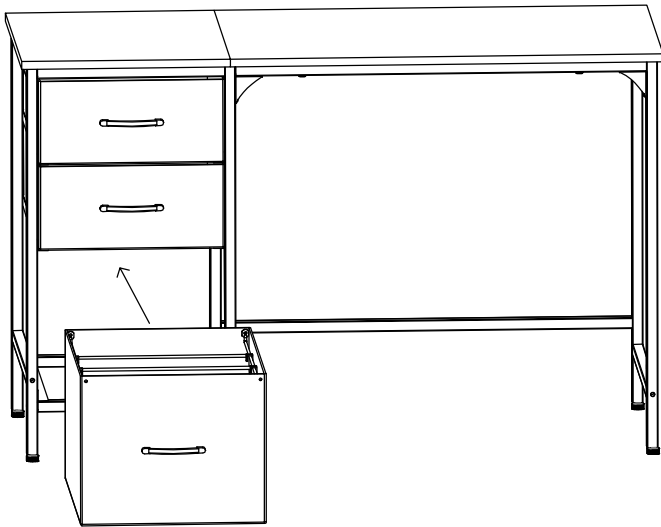


# step 16

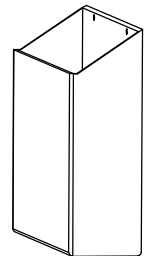
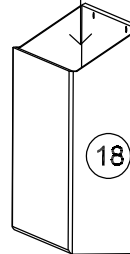
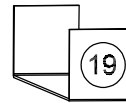


16	X 1	13	X 2	G1	X 4	L	X 2
17	X 1	14	X 2	G2	X 4	H	X 1

# step 17

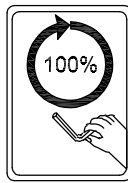


# step 18

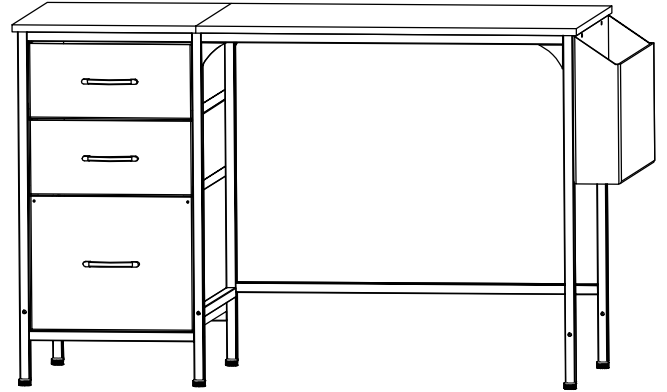
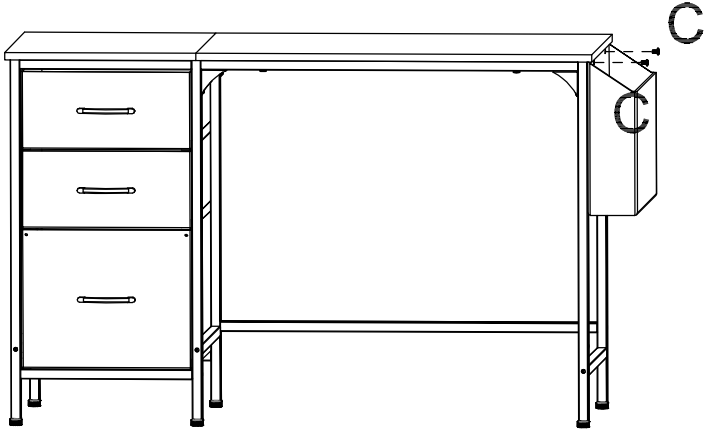


18	X 1
19	X 1

# step 19



# step 20



Tighten all the screws from step 1 to step 20

C X 2