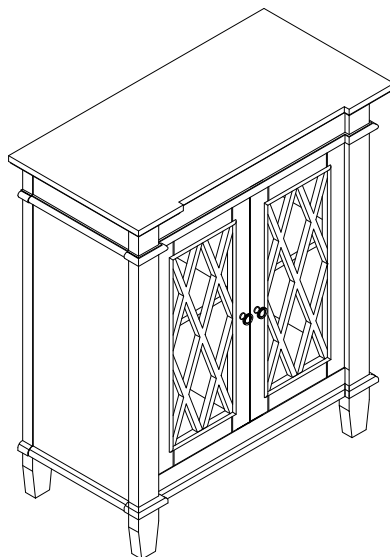

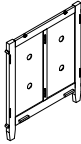
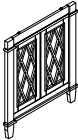
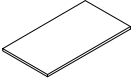
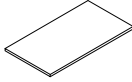
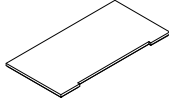


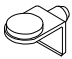


36" DECORATIVE CABINET / TV CONSOLE



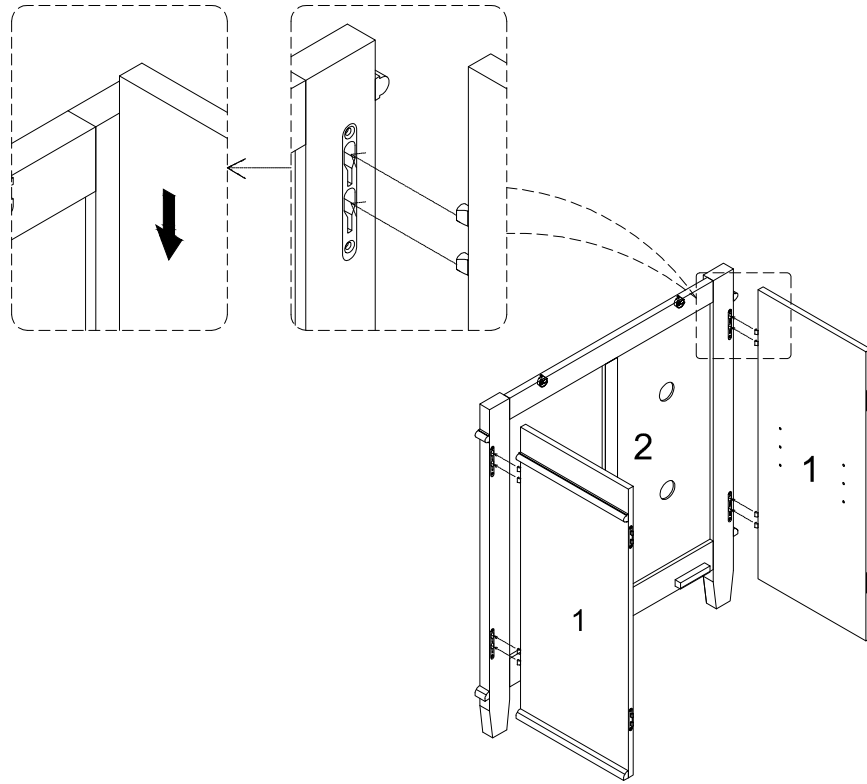
Parts List

<p>1</p> 	<p>2</p> 	<p>3</p> 
<p>L/R Side Panel (2PCS)</p>	<p>Back Frame (1PC)</p>	<p>Front Frame(1PC)</p>
<p>4</p> 	<p>5</p> 	<p>6</p> 
<p>Center Bottom Panel (1PC)</p>	<p>Center Shelf (1PC)</p>	<p>Top Panel(1PC)</p>

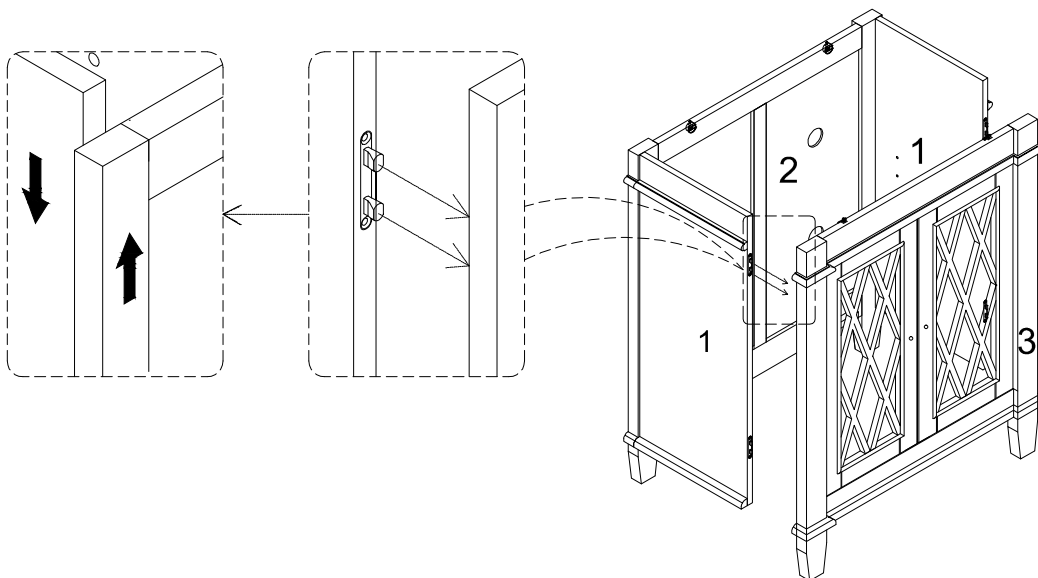
Hardware List

<p>A</p> 	<p>B</p> 	<p>C</p>  <p>Thread Count:24</p>
<p>Shelf Support Ø6.5mm 4 PCS</p>	<p>Knob Ø31*25mm 2 PCS</p>	<p>Bolt Ø5/32"*25mm 2 PCS</p>

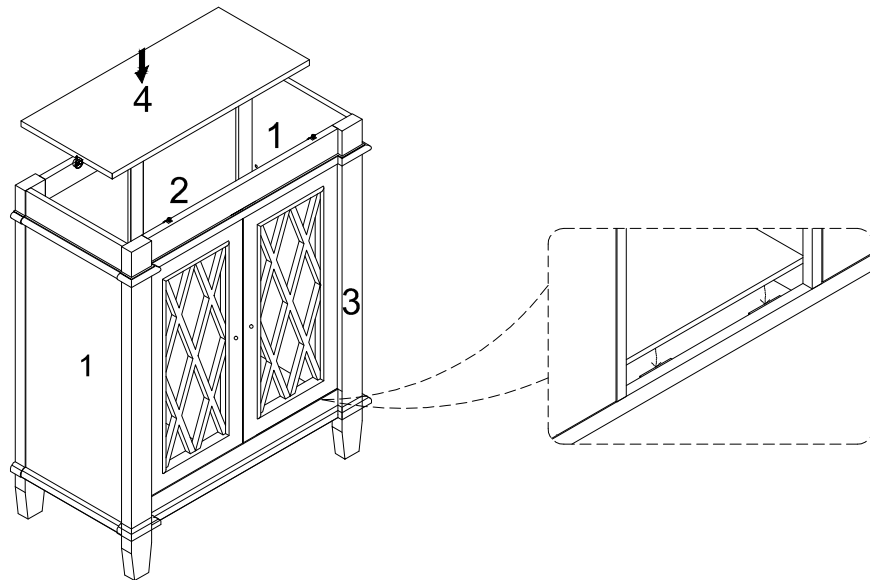
Step 1. Insert the hardware on L/R Side Panels into the Back Frame (Part 2) and apply downward pressure to secure them into place.



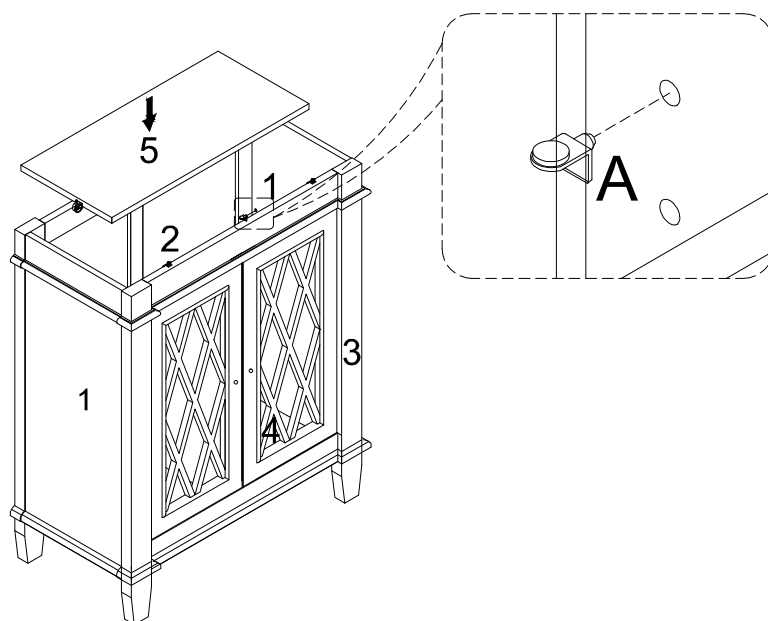
Step 2. Insert the hardware on L/R Side Panels into Front Frame (Part 3) and apply downward pressure to secure them into place. The tops of the panels should be flush with the tops of the front and back frames.



Step 3. Insert the Bottom Panel (Part 4) into the base of the cabinet.

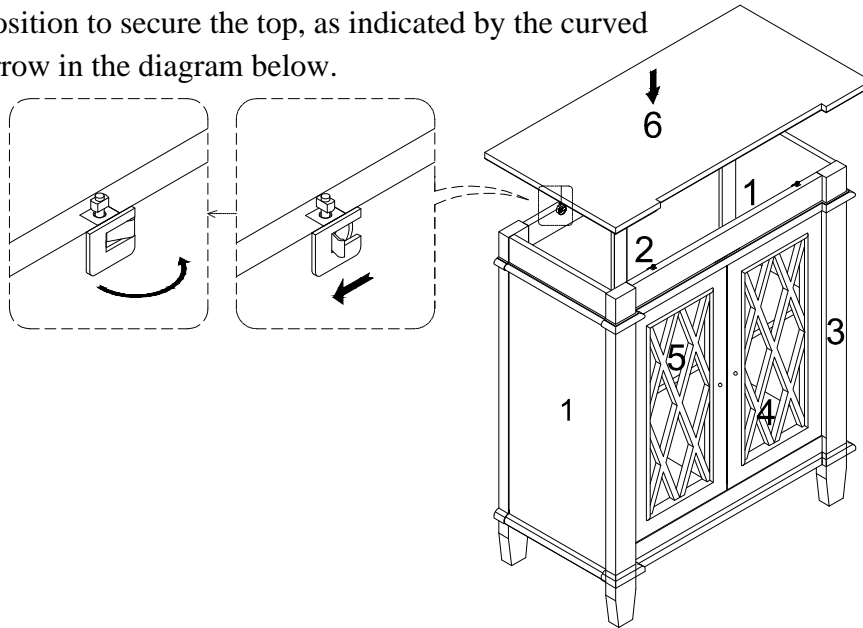


Step 4. Insert the Shelf Supports (Part A) into the desired positions in the side panels. Insert the Shelf (Part 5) into the cabinet.



 4PCS

Step 5. Move the locking switch hardware on the front and back frames to the open position, as indicated by the straight arrow in the diagram below. Align the hardware on the underside of Top Panel (Part 6) with the locking switch hardware and lower it into place. Making sure that the locking switch hardware is completely inserted into the top, move it into the closed position to secure the top, as indicated by the curved arrow in the diagram below.



Step 6. Insert Bolt (Part C) into the pre-drilled hole from the back side of the door. Using a Phillips head screwdriver, attach the Knobs (Part B) to the doors. Adjustable hardware is included in the legs. They can be adjusted to level the cabinet/doors if it is sitting on an uneven floor.

