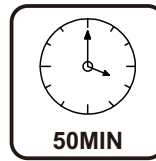
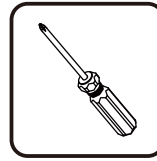
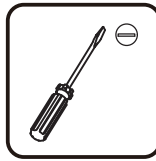
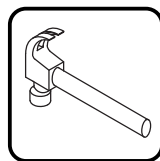
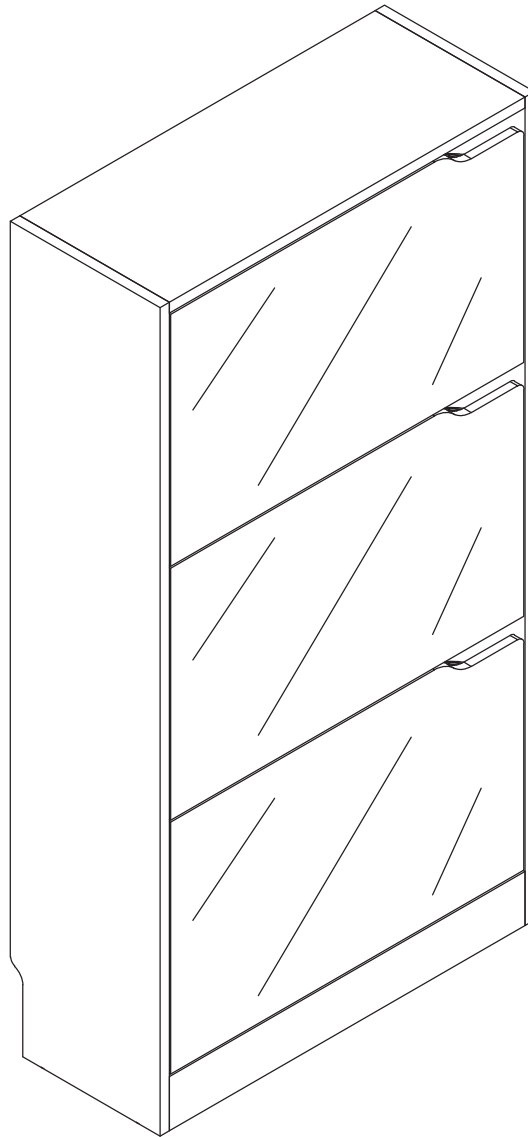
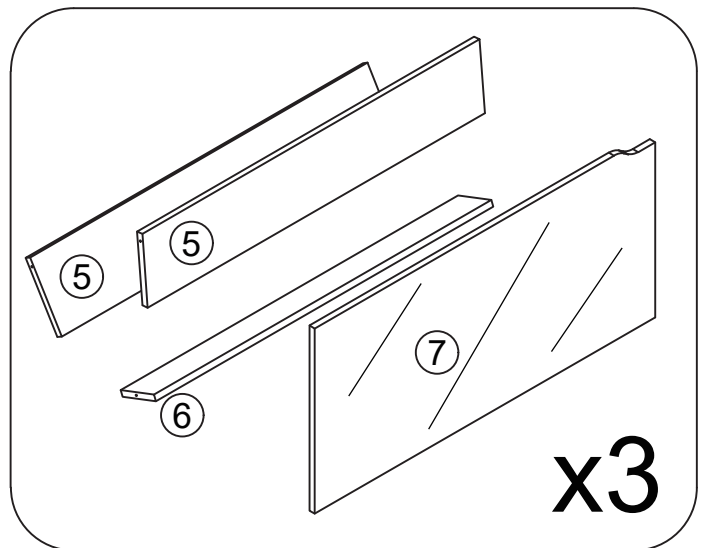
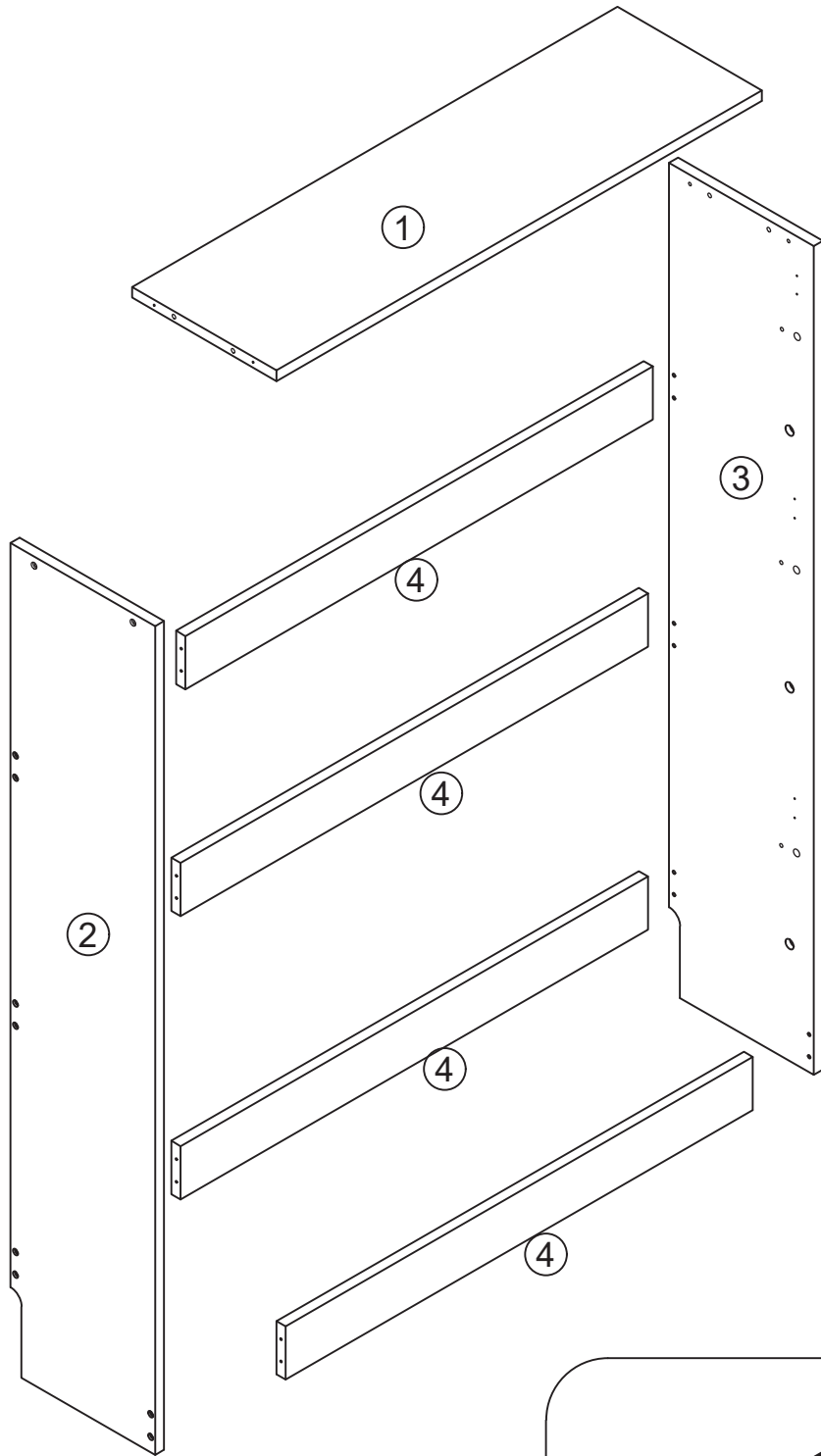


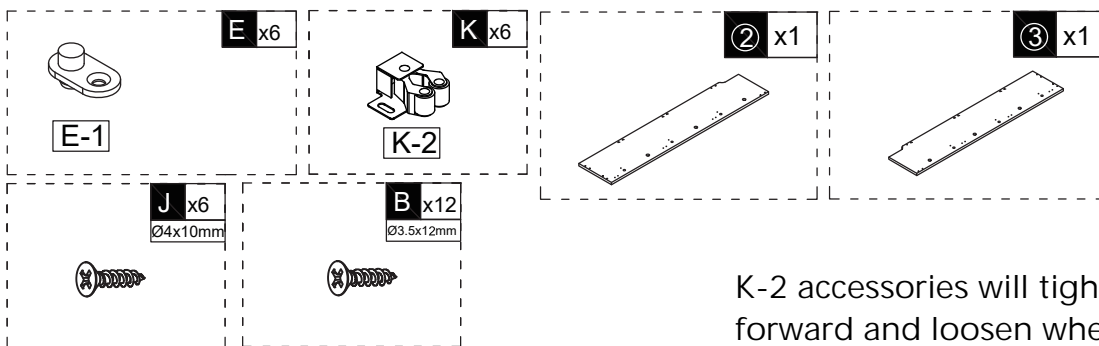
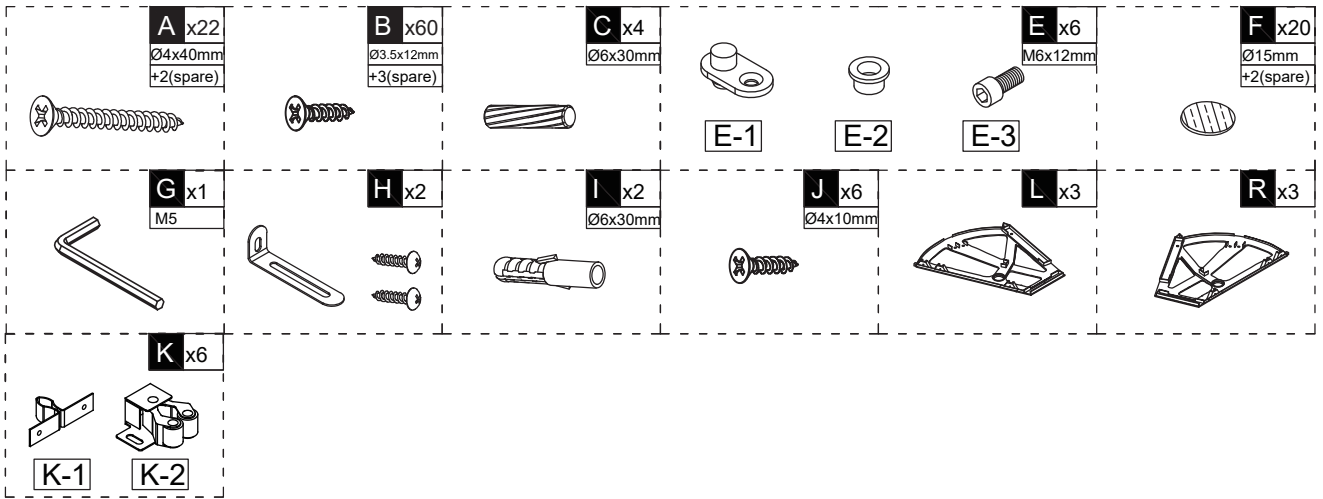
Installation & Assembly

Version : 1.3



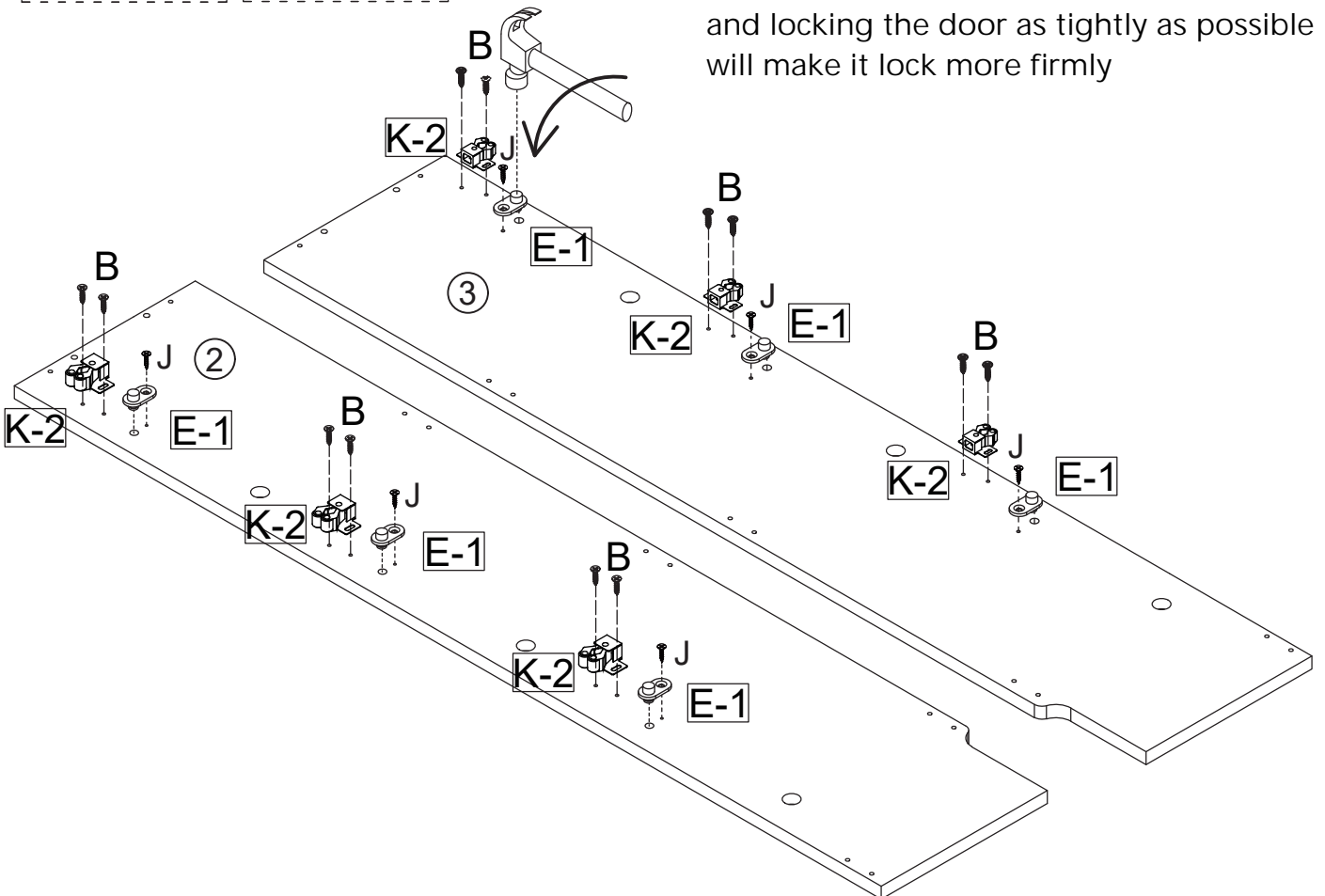
EN_IMPORTANT, RETAIN FOR FUTURE REFERENCE: READ CAREFULLY.

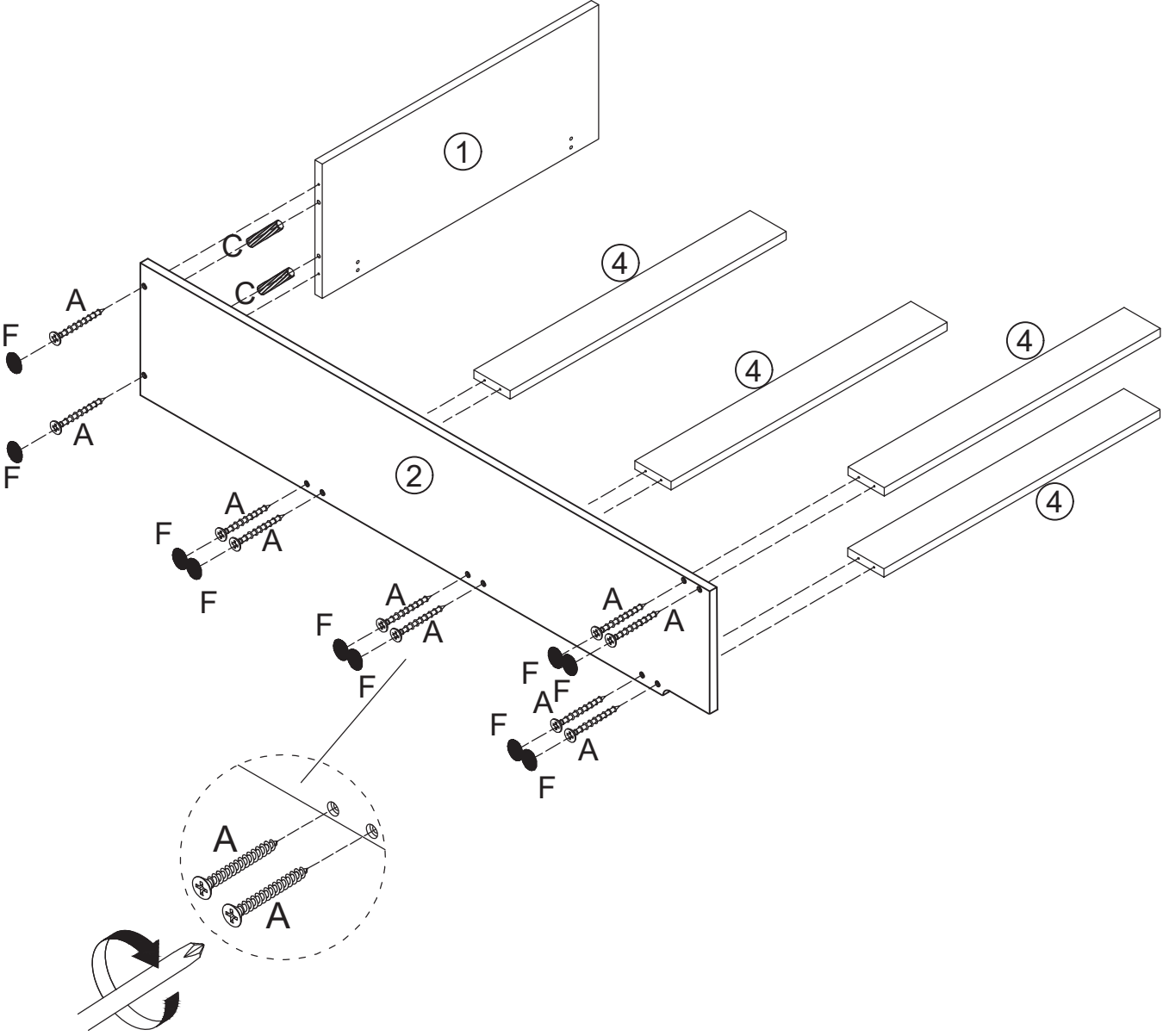
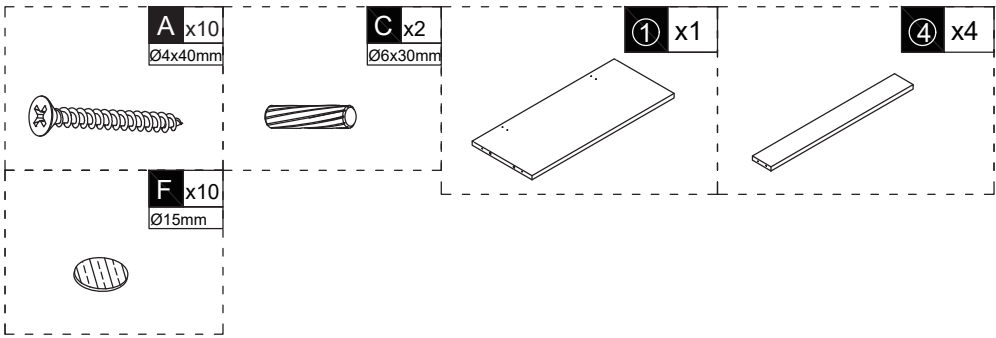


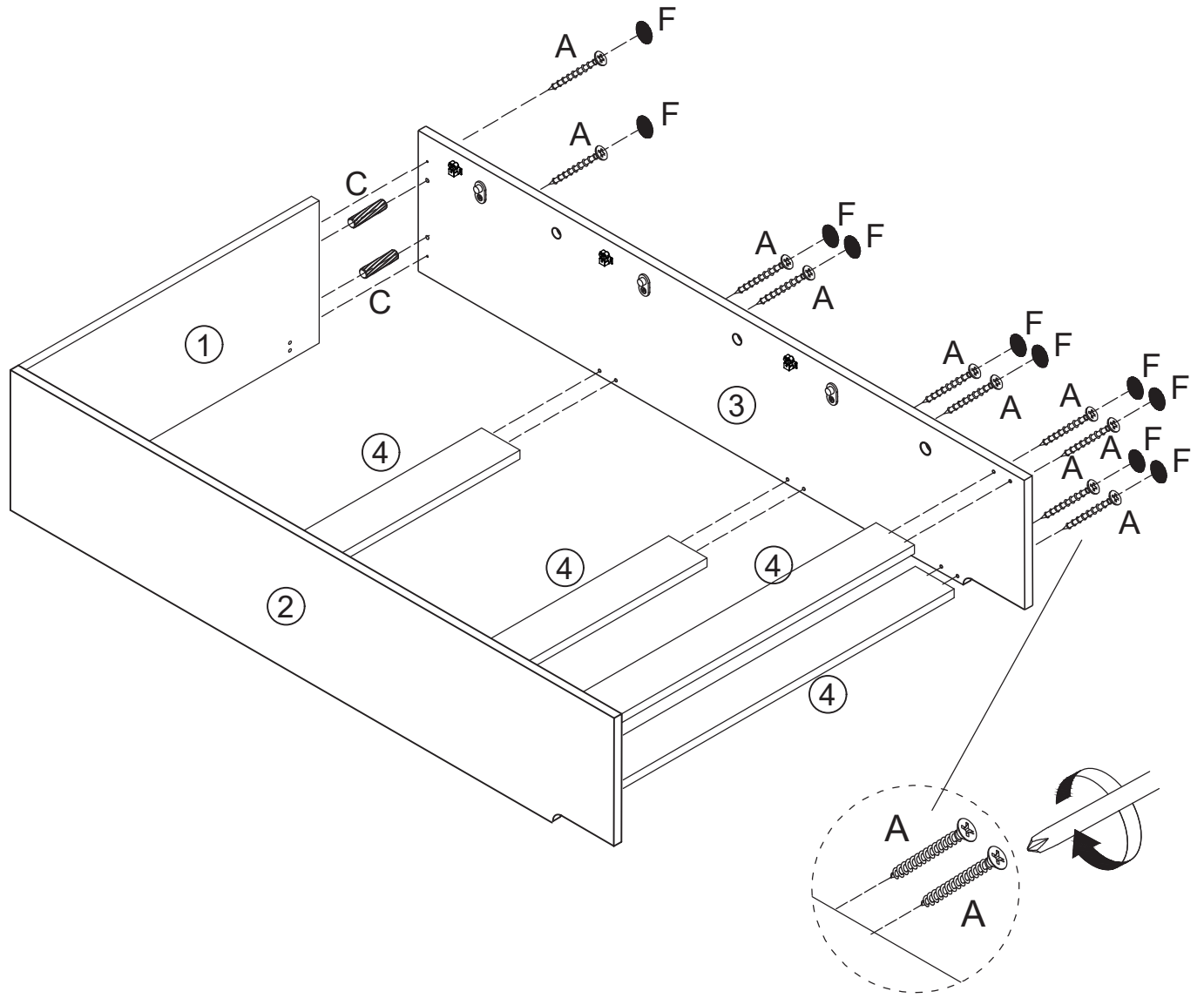
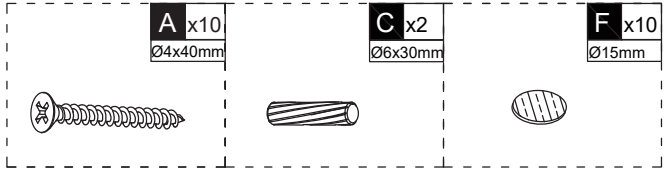


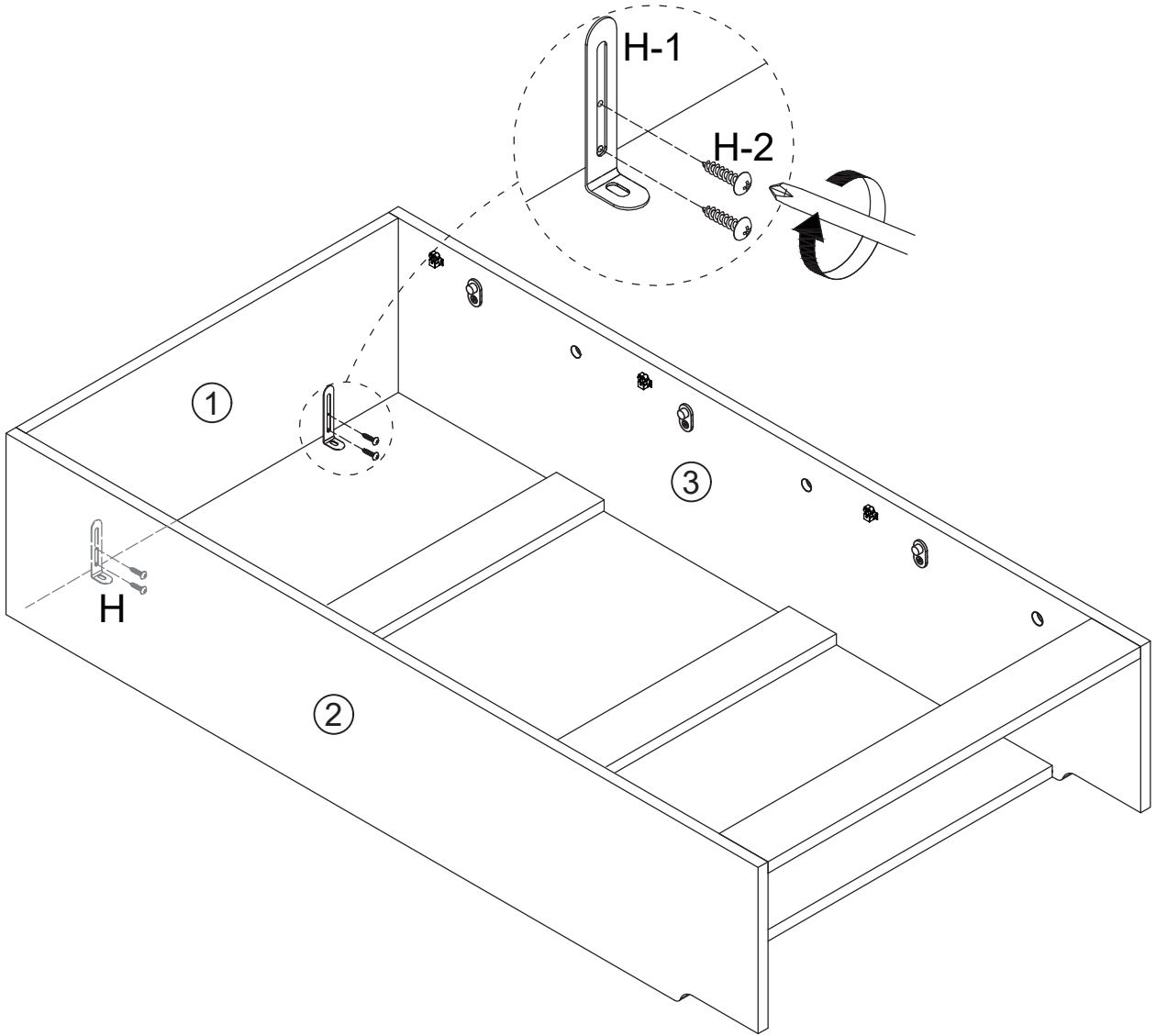
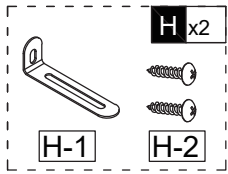
01

K-2 accessories will tighten when locked forward and loosen when locked backward, and locking the door as tightly as possible will make it lock more firmly



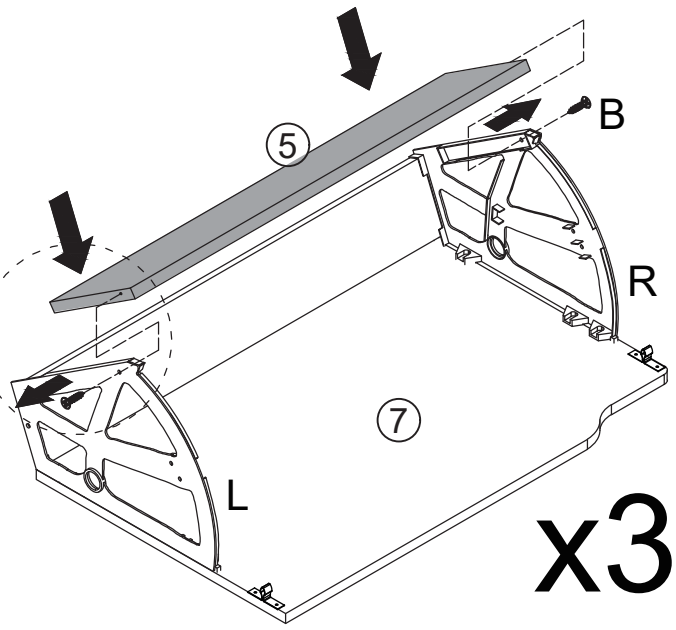
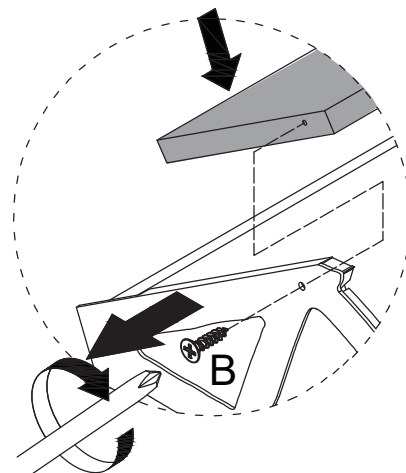
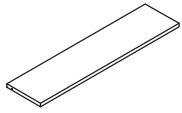






B x6
Ø3.5x12mm

5 x3



x3

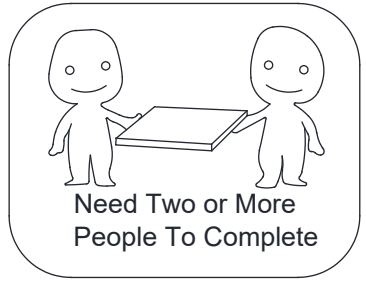
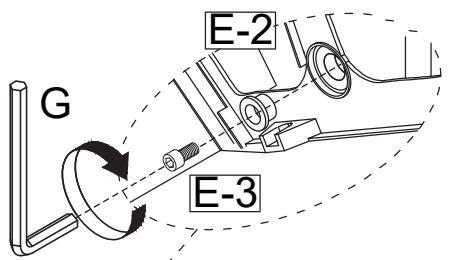
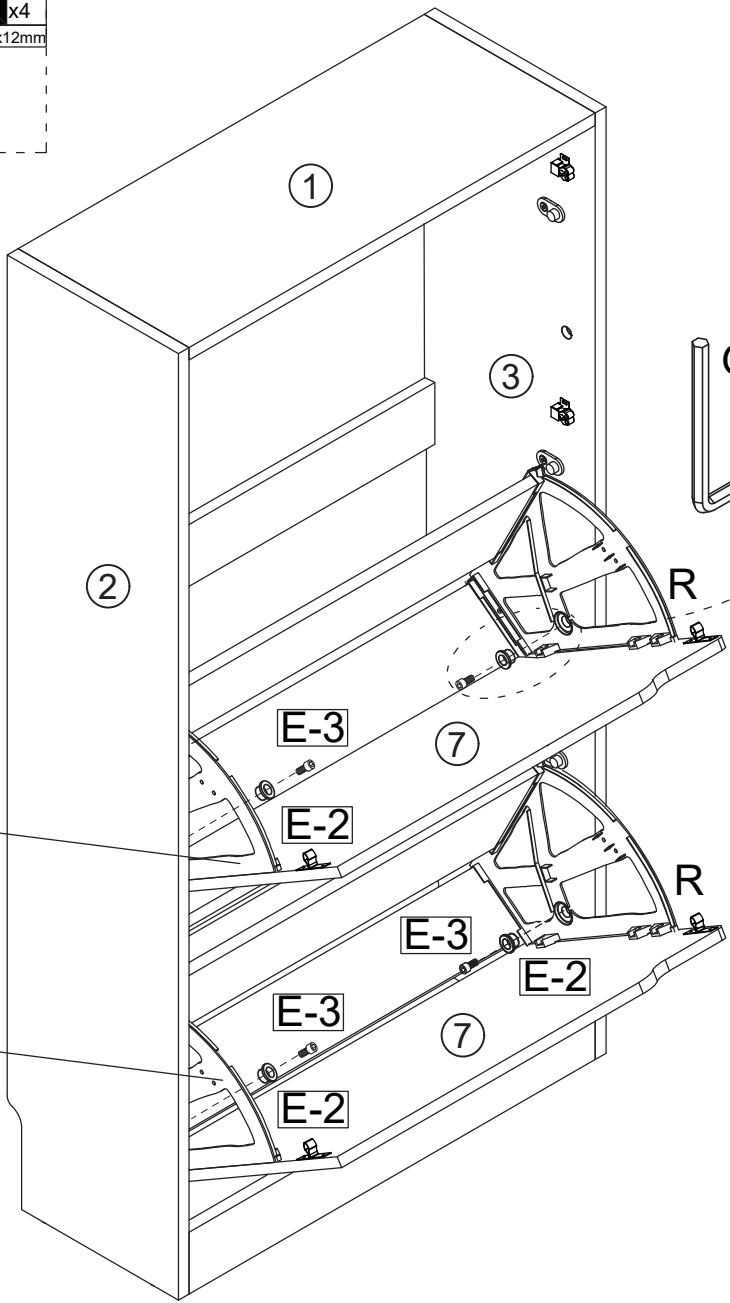
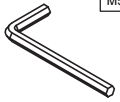
E x4
M6x12mm



E-2

E-3

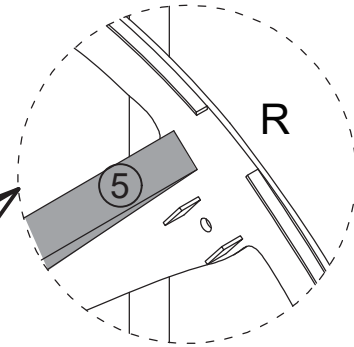
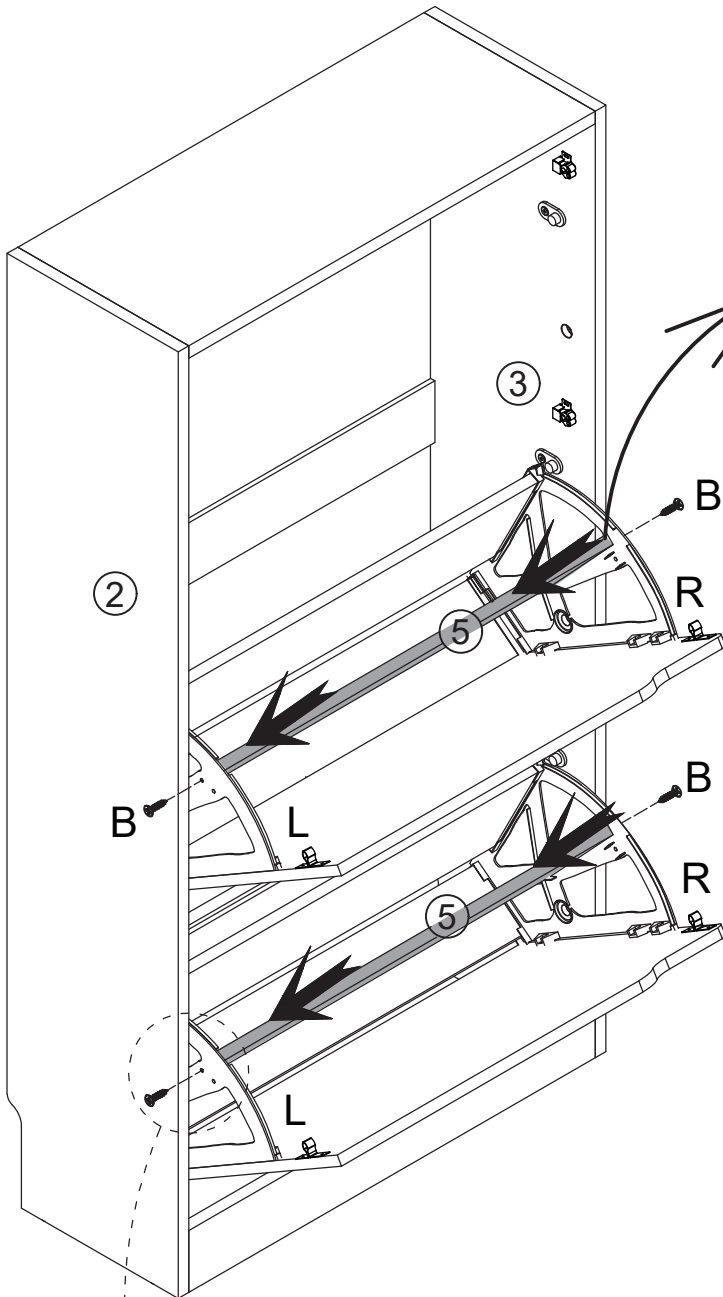
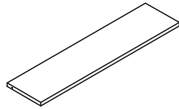
G x1
M5



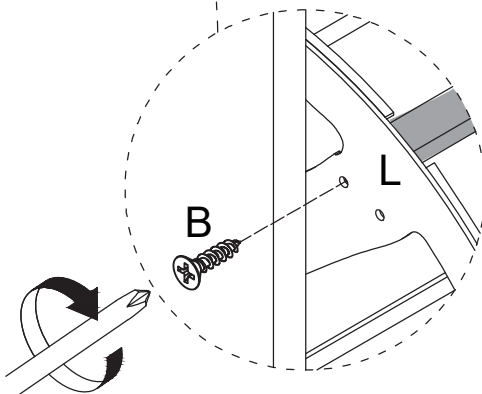
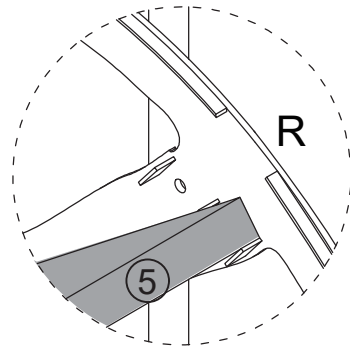
Need Two or More People To Complete

B x4
Ø3.5x12mm

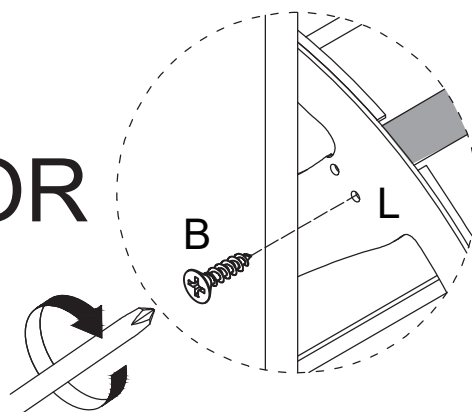
5 x2



OR

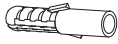


OR



A x2
Ø4x40mm

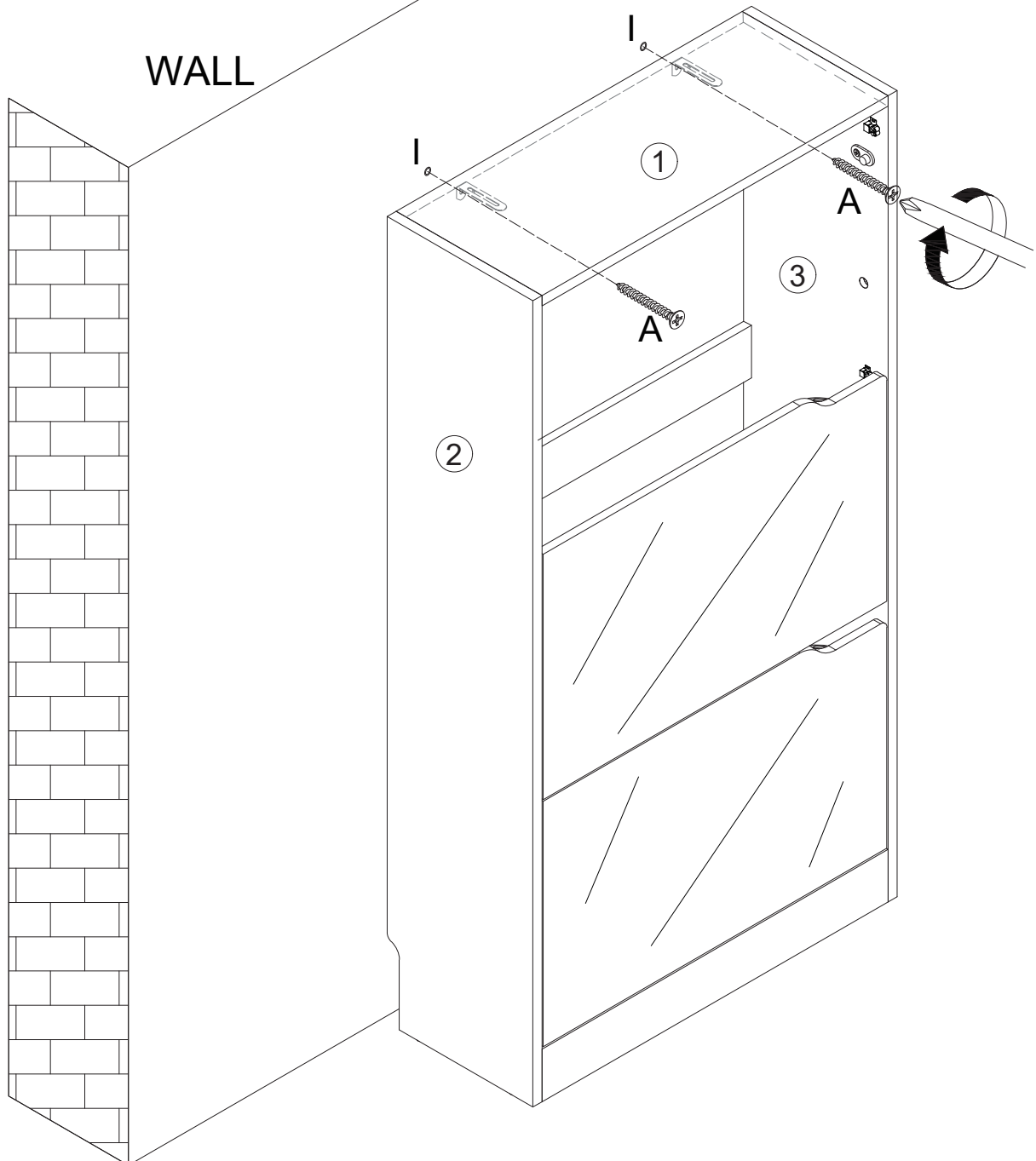
I x2
Ø6x30mm

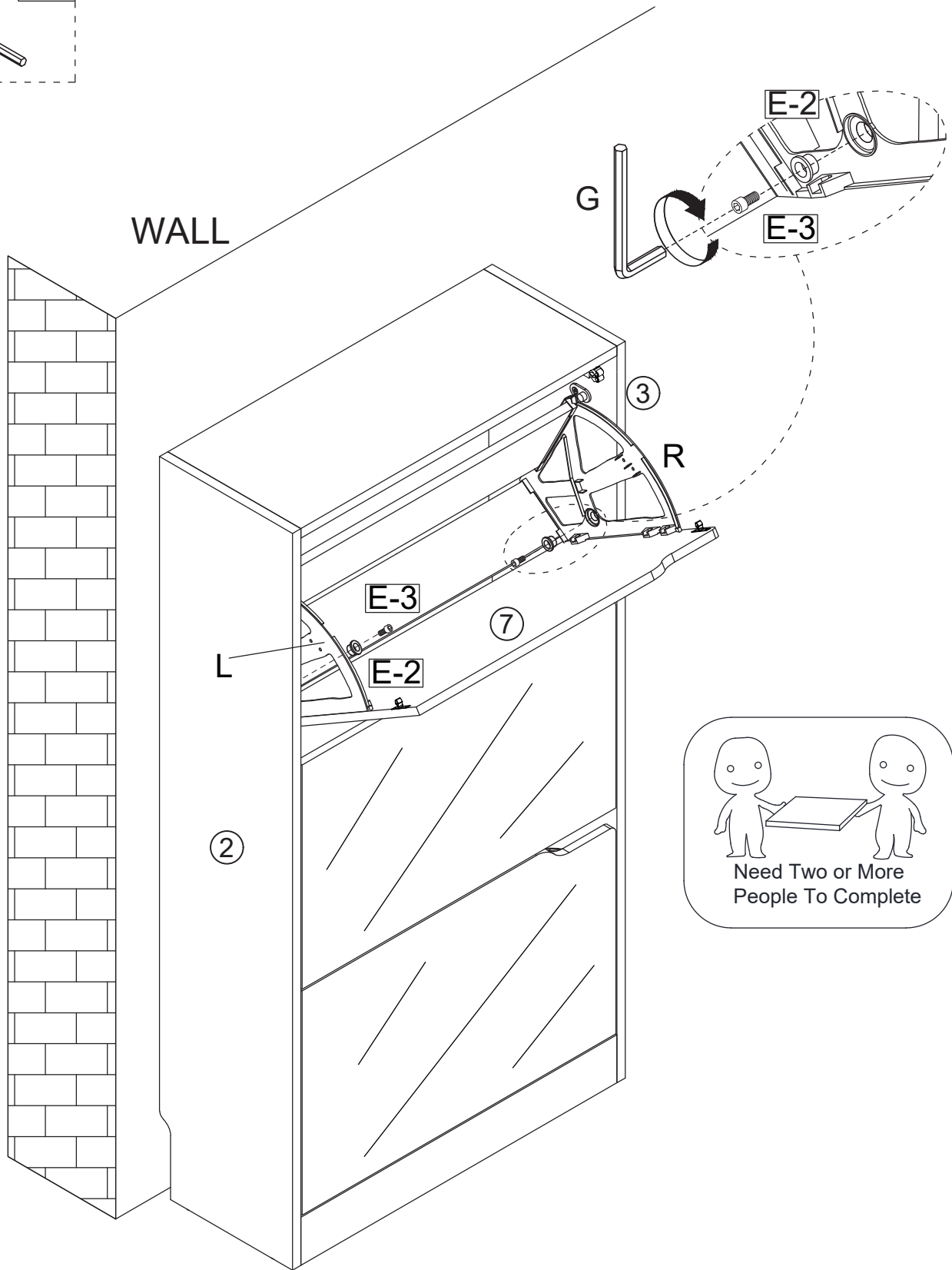
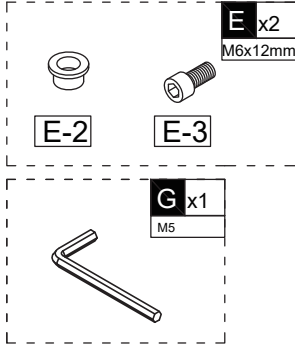


<p>WALL</p> <p>I x2</p>	<p>WALL + drilling hole Ø6x30mm</p> <p>II x2</p>	<p>WALL</p> <p>III x2</p>
---------------------------------------	--	---



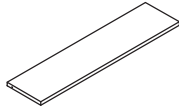
This product must be wall locked for use



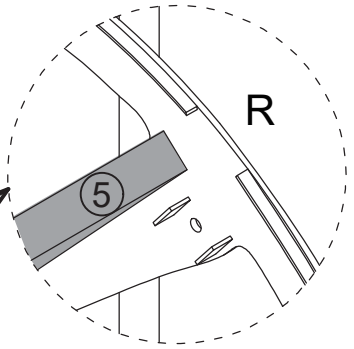
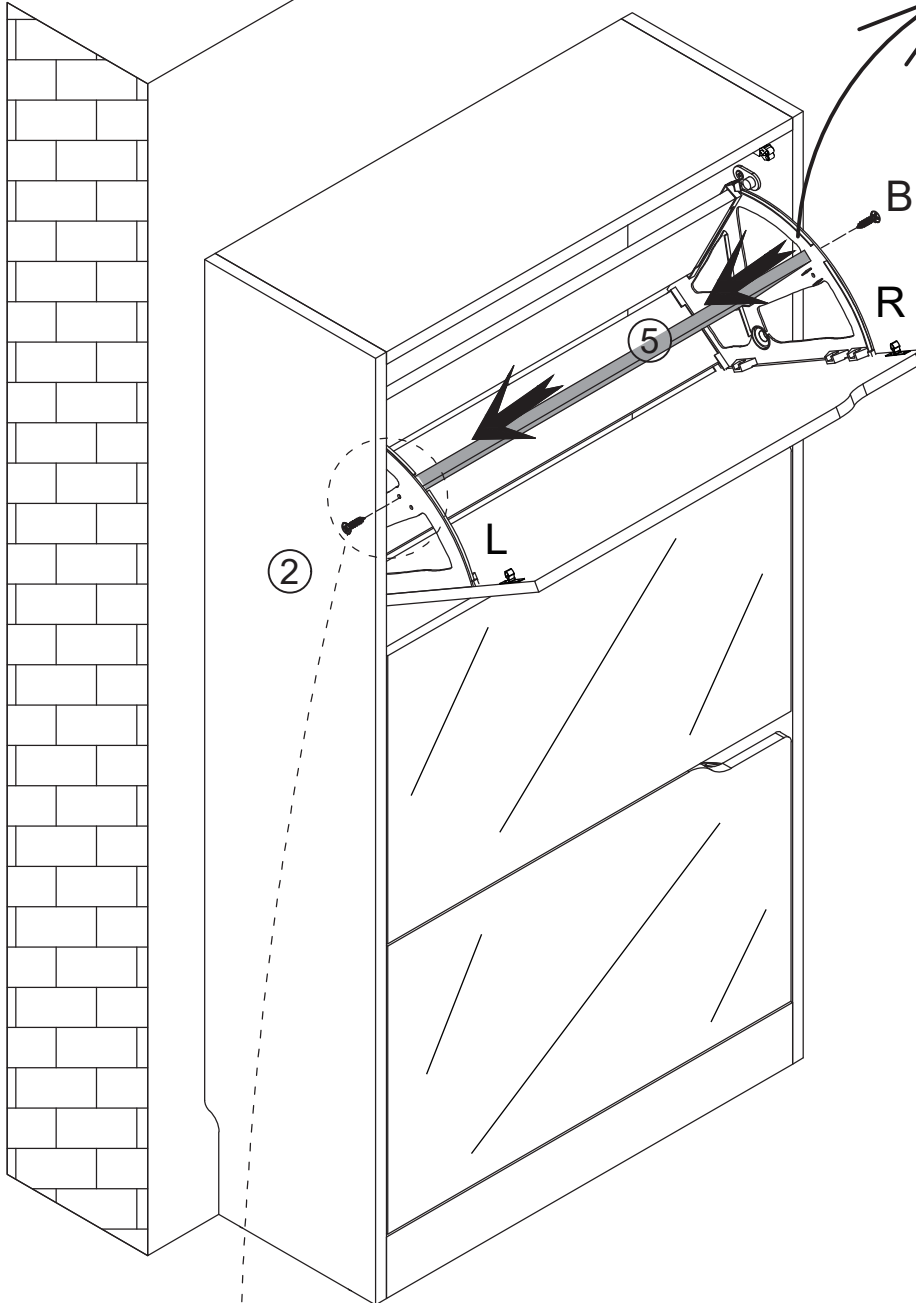


B x2
Ø3.5x12mm

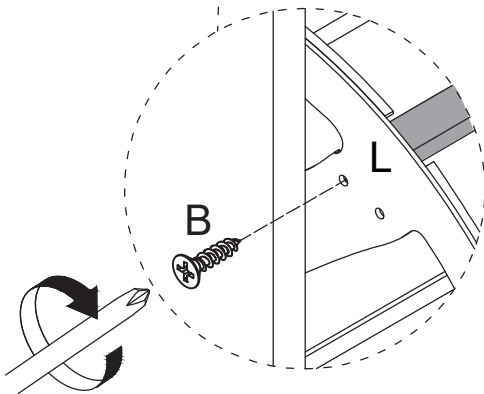
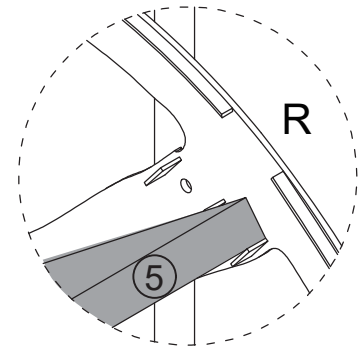
5 x1



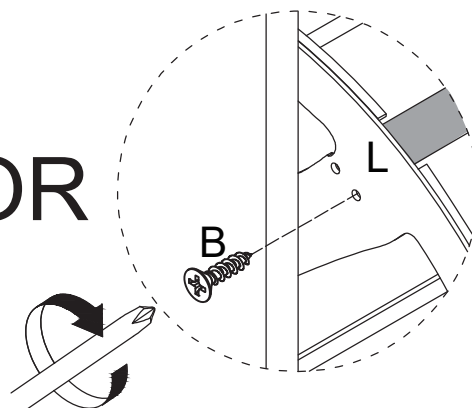
WALL

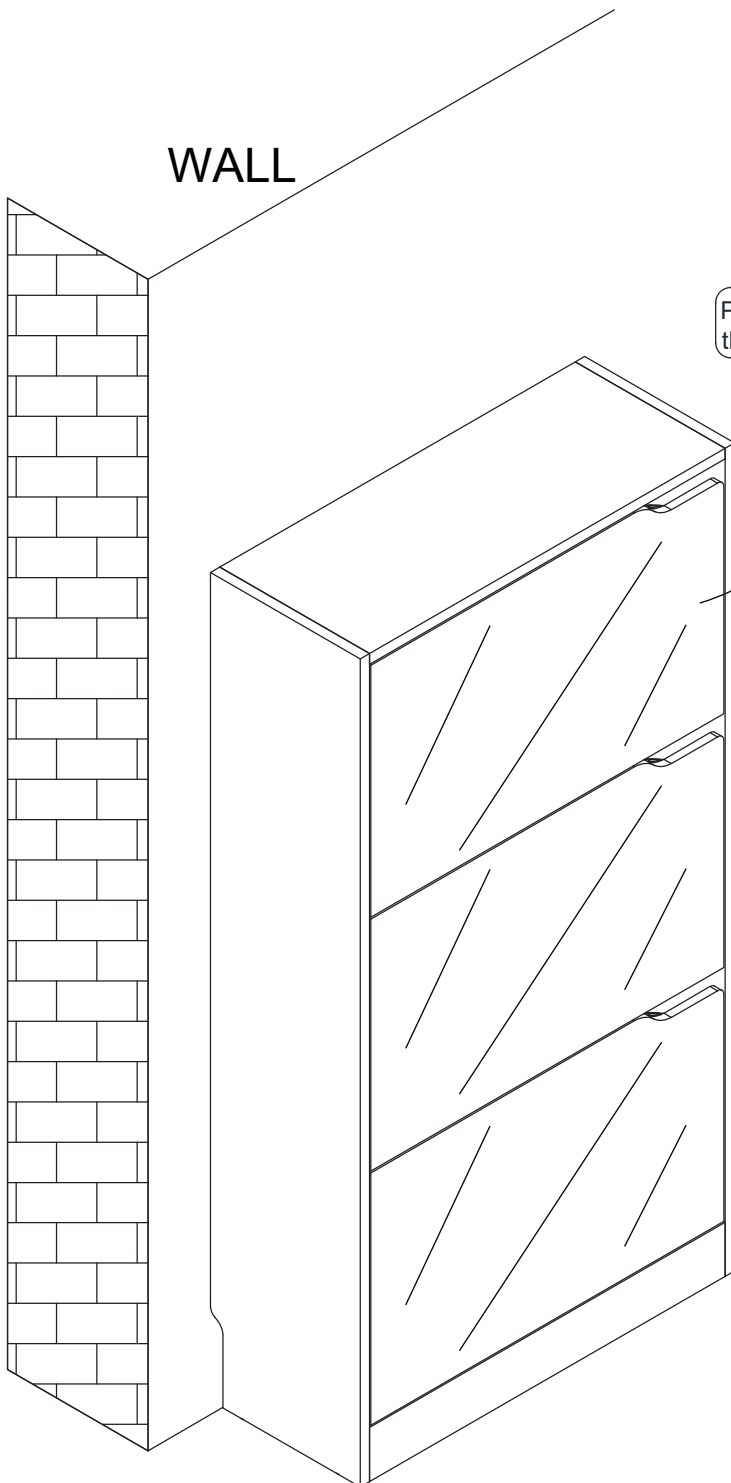


OR



OR





WALL



Please tear off the film on the outside of the mirror.