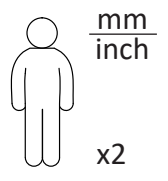
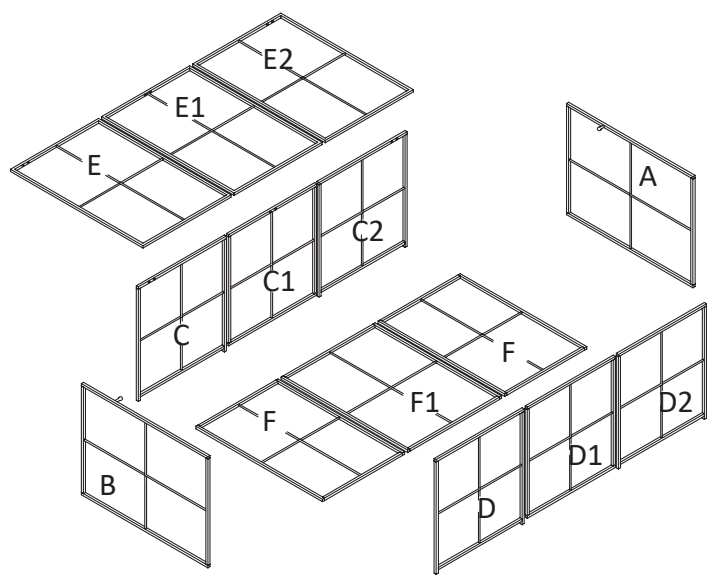
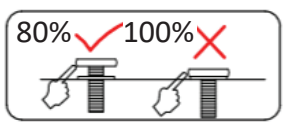
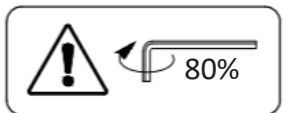
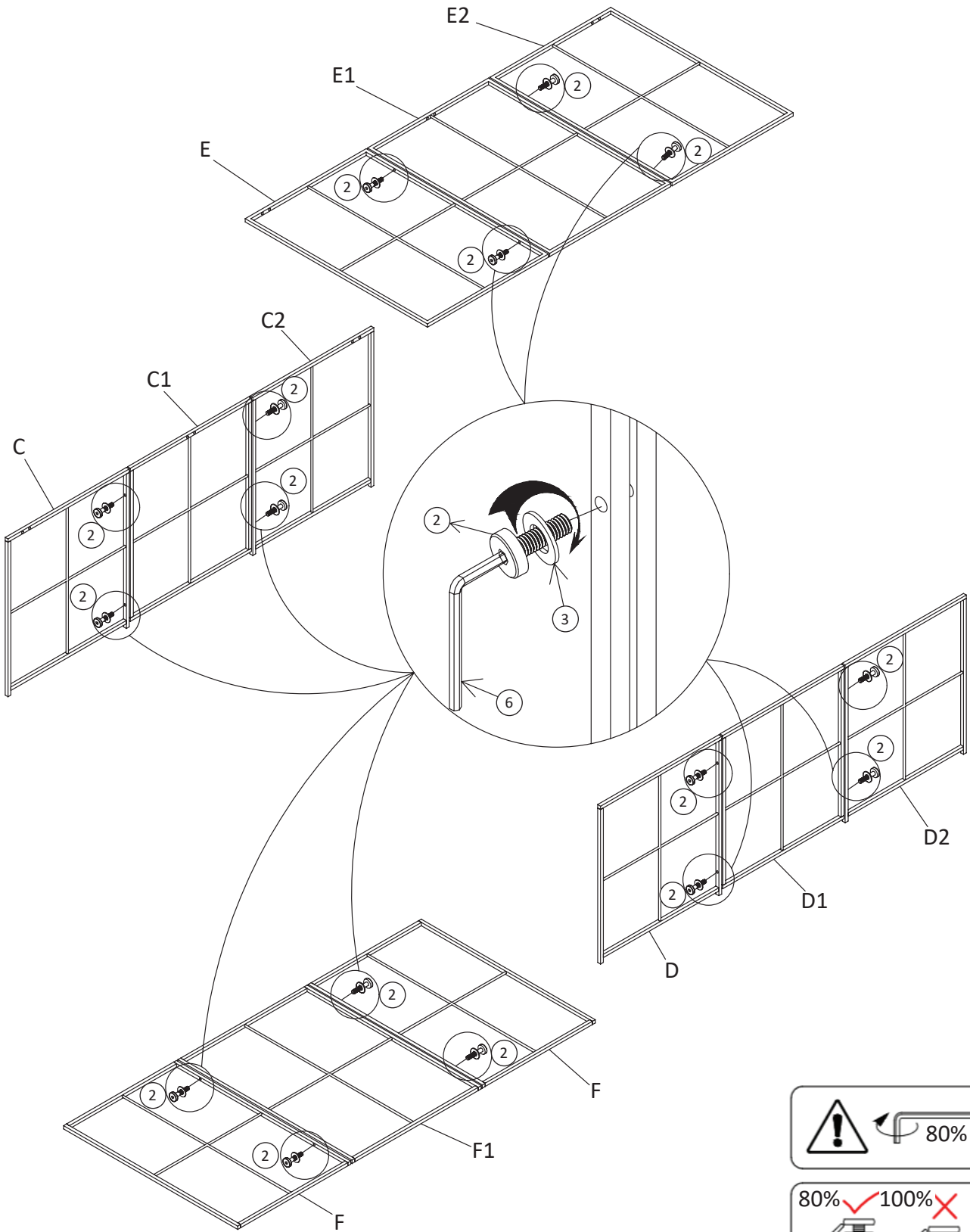


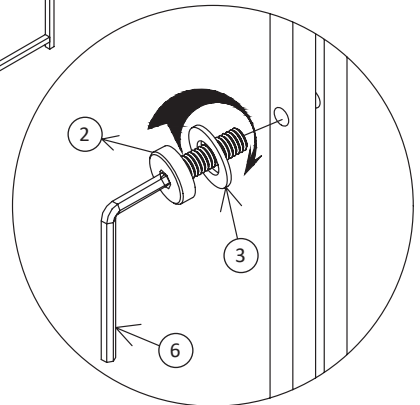
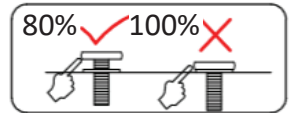
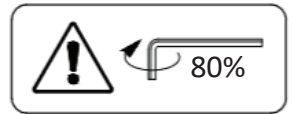
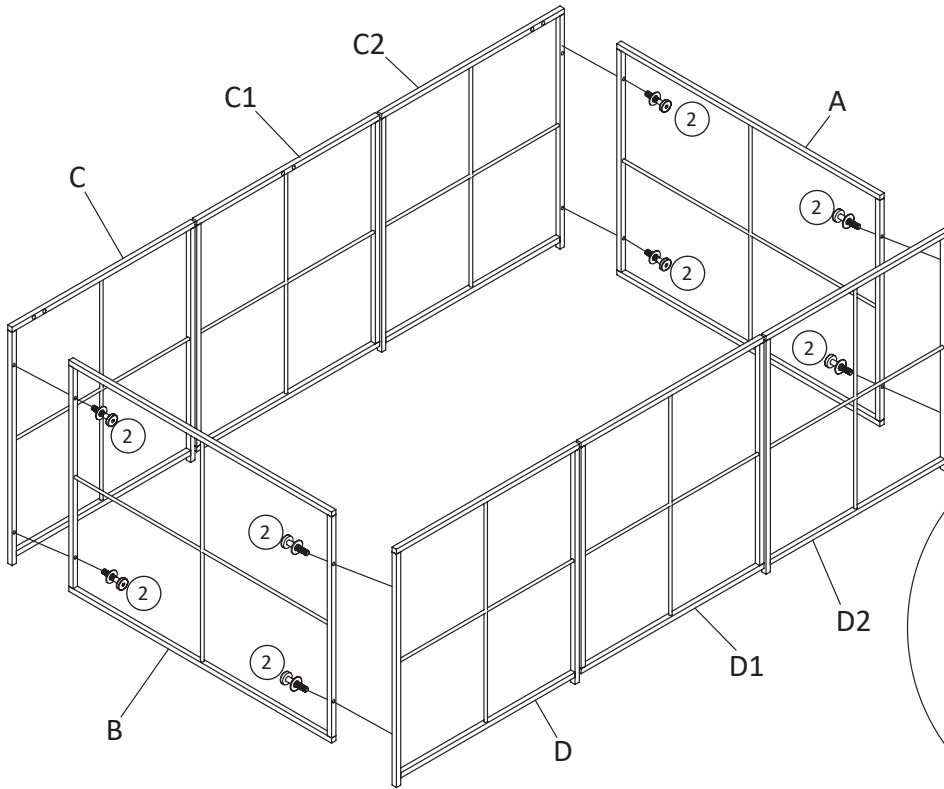
Ax1 	Bx1 	Cx1 	C1x1
C2x1 	Dx1 	D1x1 	D2x1
Ex1 	E1x1 	E2x1 	Fx2
F1x1 	① x12 M6x $\frac{15}{0.6}$	② x40 M6x $\frac{30}{1.2}$	③ x52 M6x $\frac{16x1}{0.6x0.04}$
④ x3 	⑤ x2 	⑥ x2 M4	⑦ x1



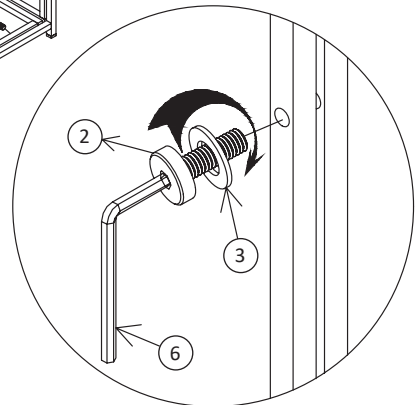
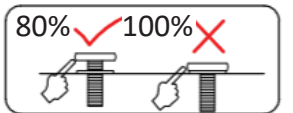
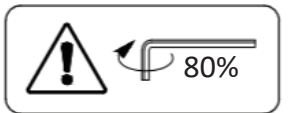
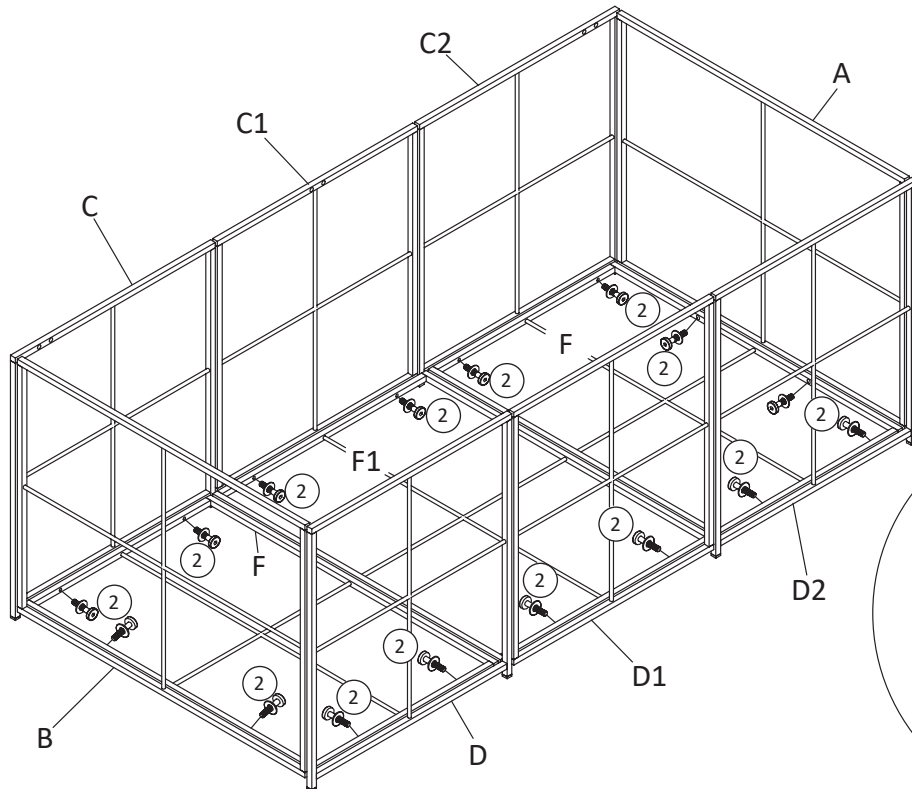
1



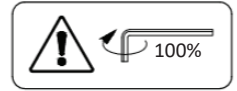
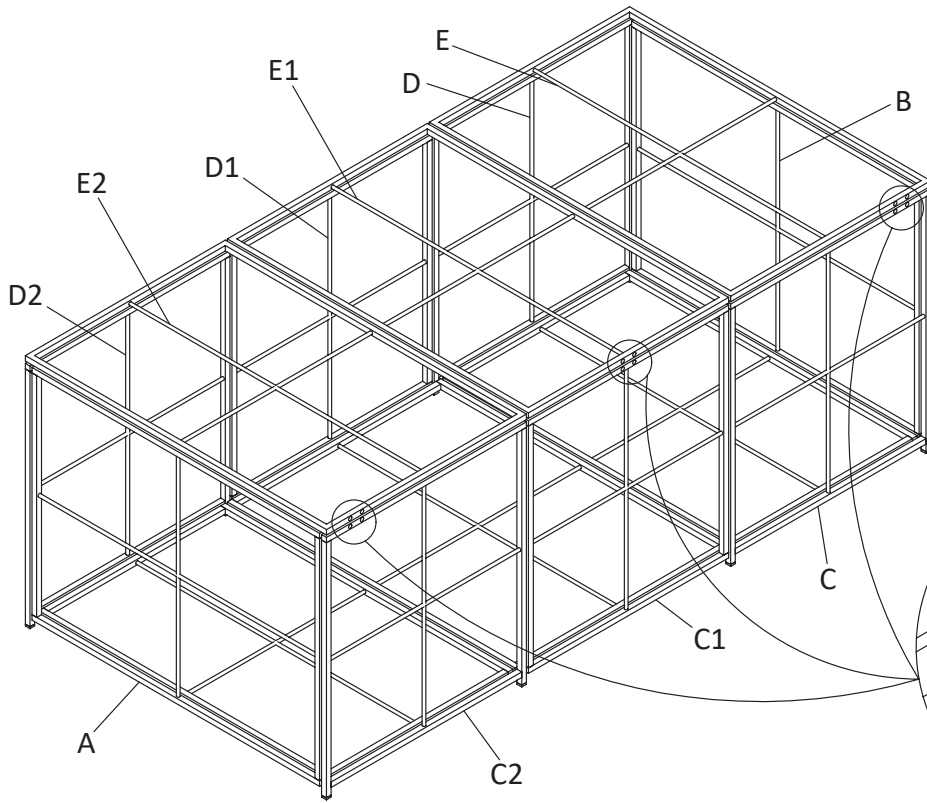
2



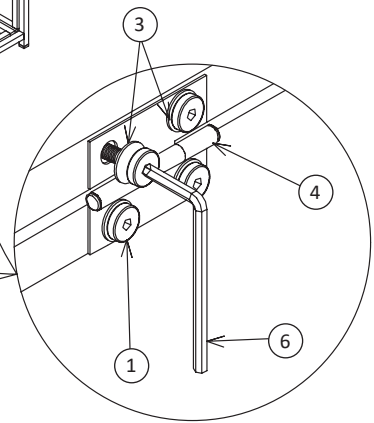
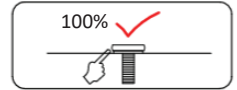
3



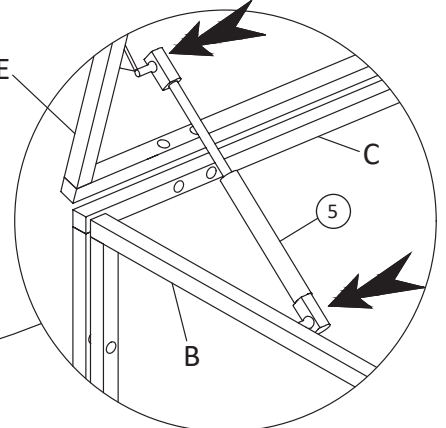
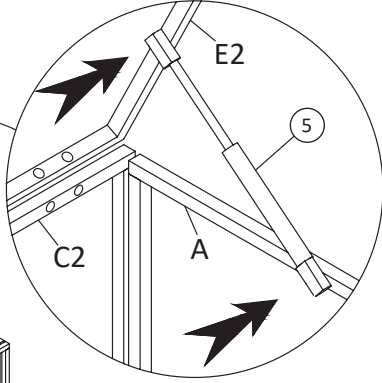
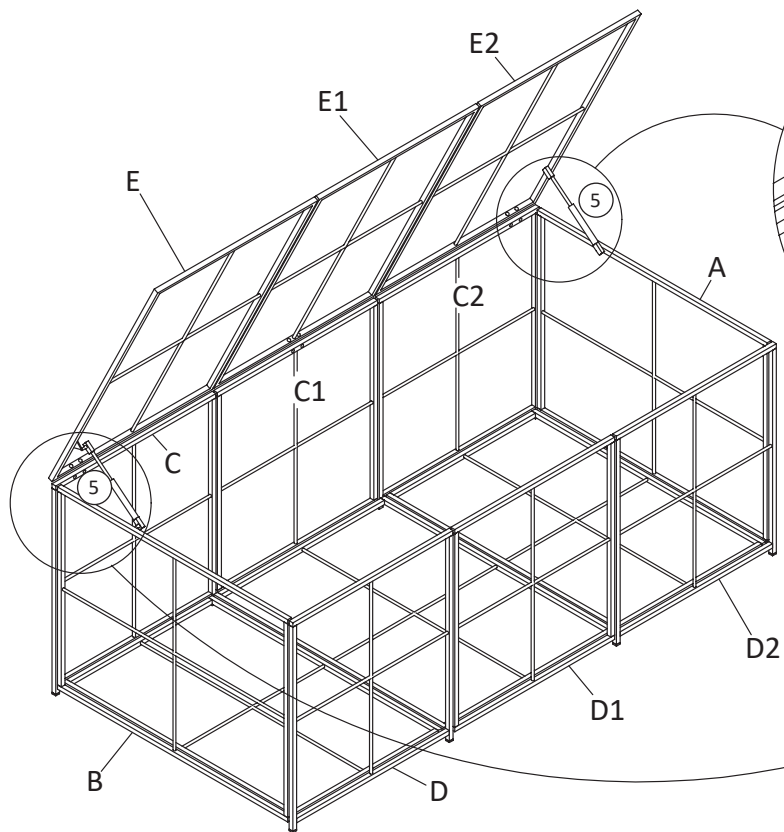
4



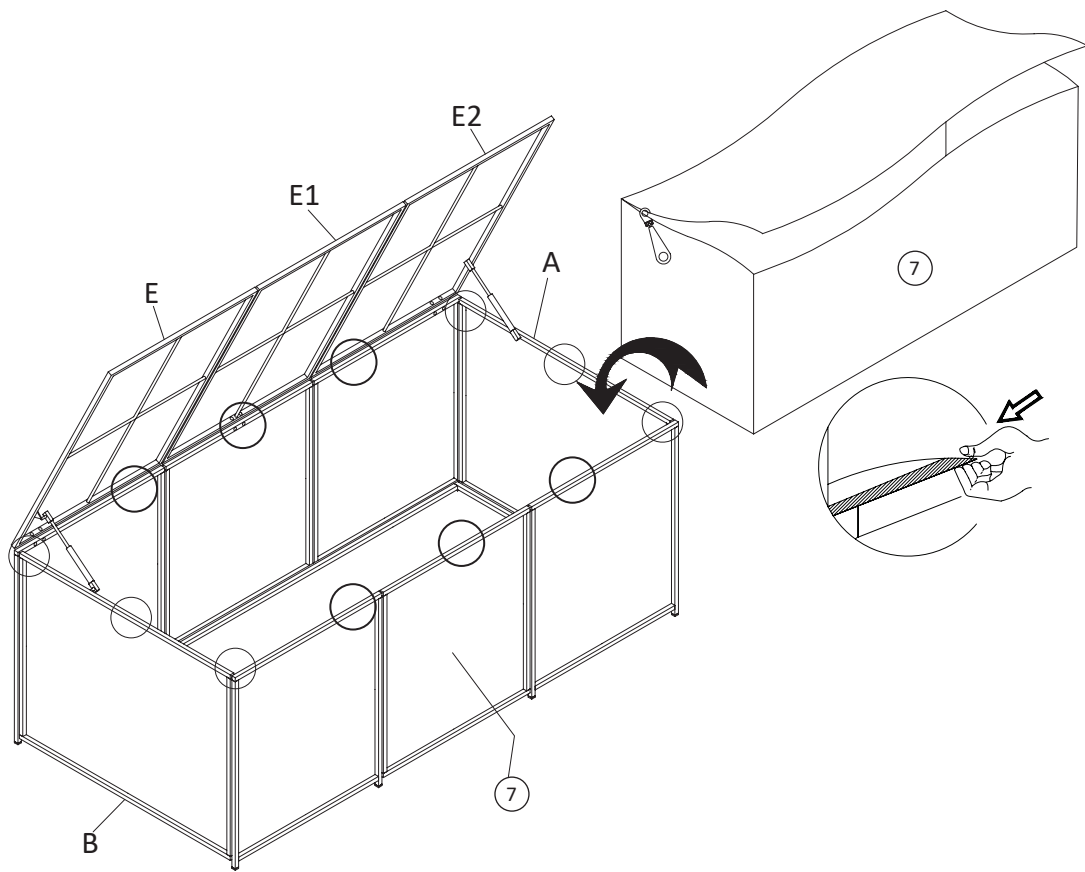
100%



5



6



7

