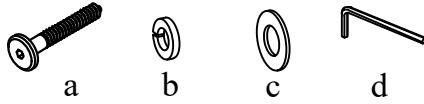


Assembly Instruction

A . Components :

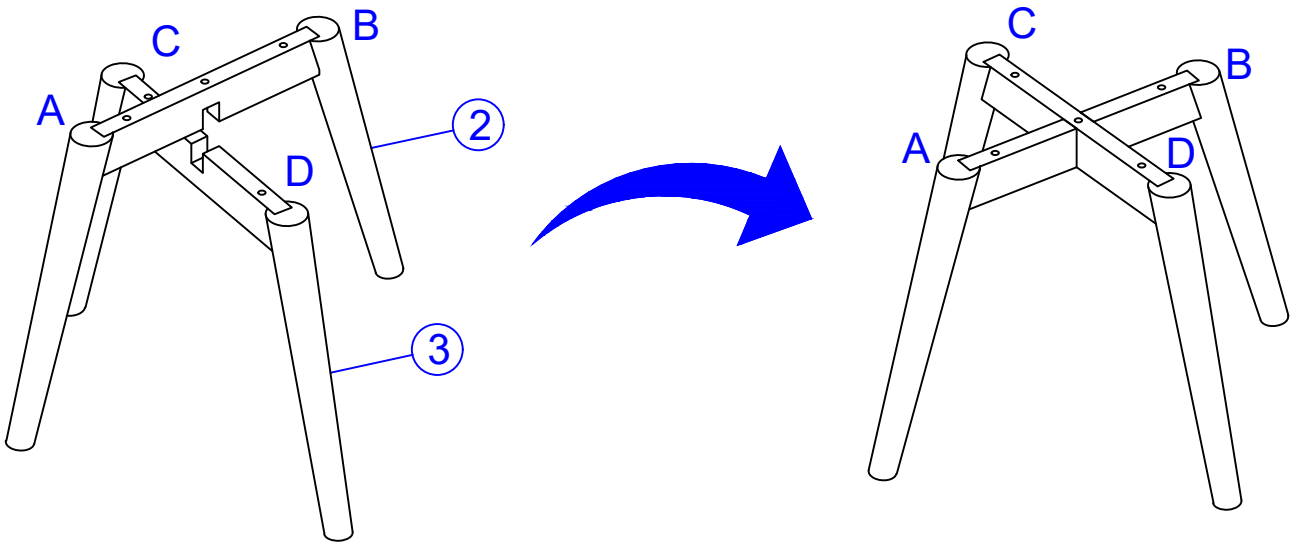
1. Body Nightstand
2. Leg Set Up 1
3. Leg Set Up 2



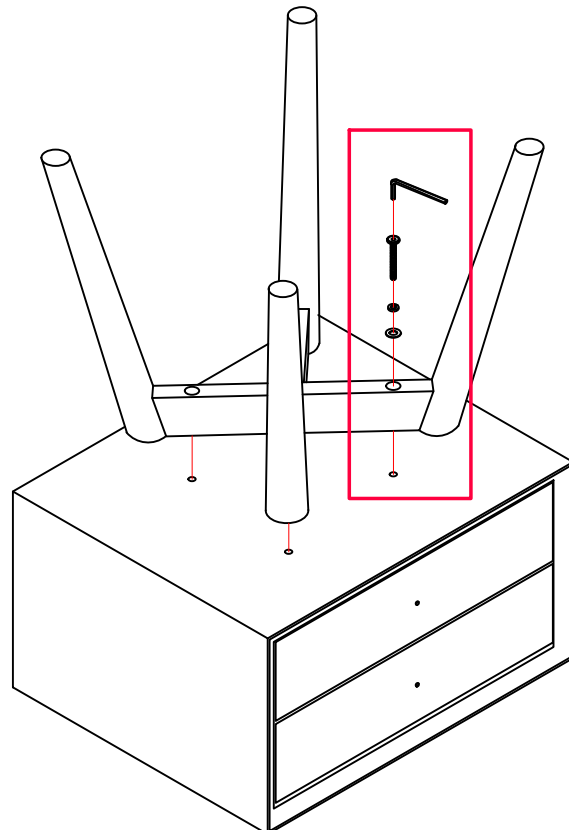
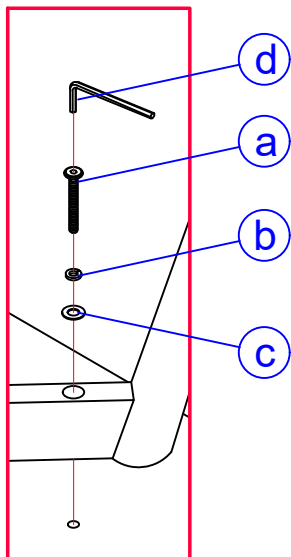
B . Hardware :

- | | |
|--------------------|-------|
| a. JCBC Bolt 50 mm | 5 Pcs |
| b. Spring Washer | 5 Pcs |
| c. Flat Washer | 5 Pcs |
| d. Allen Key | 1 Pc |

STEP 1

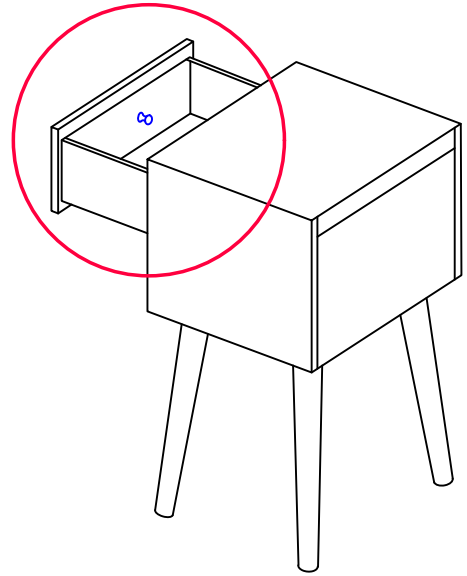
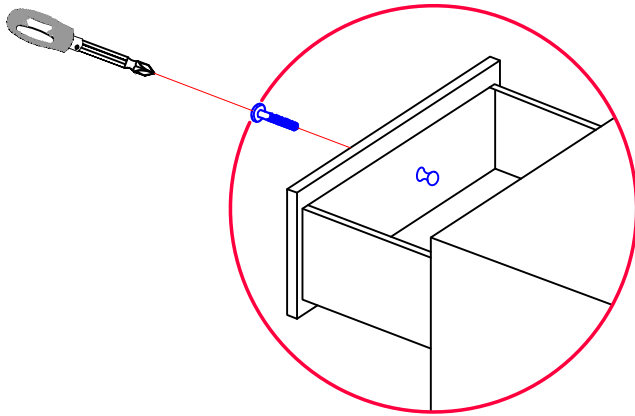


STEP 2



STEP 3

UNSCREW HANDLE



STEP 4

RE-SCREW ON REVERSE SIDE

