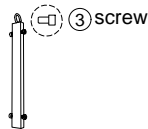
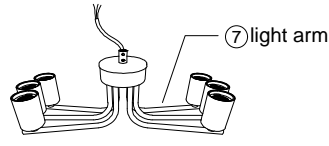


① metal net 4PCS



② square metal tube 4PCS



⑥ light fixture

⑧ grub screw 2PCS

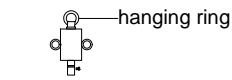
⊗ X 1PCS

└ ⑨ small hex key 1PCS

⊞ X 1PCS

⌋ X 3PCS

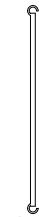
└ ④ big hex key



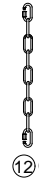
⑤ hanging part



⑩ hanging tube



⑪ hook hanging tube 4PCS



⑫ chain

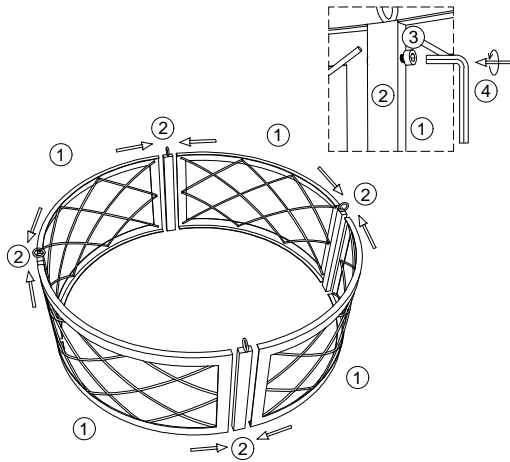
⌋ ⑬ canopy

⌋ X 3PCS

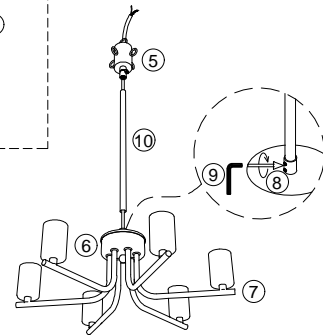
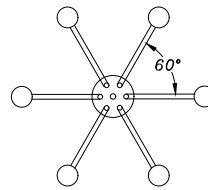
⌋ X 3PCS

■ ⑭ cap nut 2PCS

⌋ X 3PCS



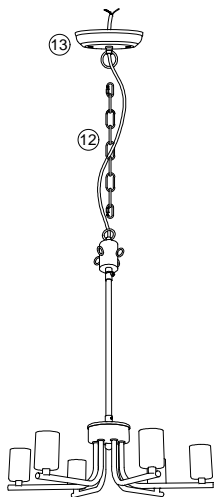
1. Install the metal net ① and tube ② to be a complete frame with screw ③ and big hex key ④.



2. Adjust the light arms ⑦ to suitable position like picture shown.

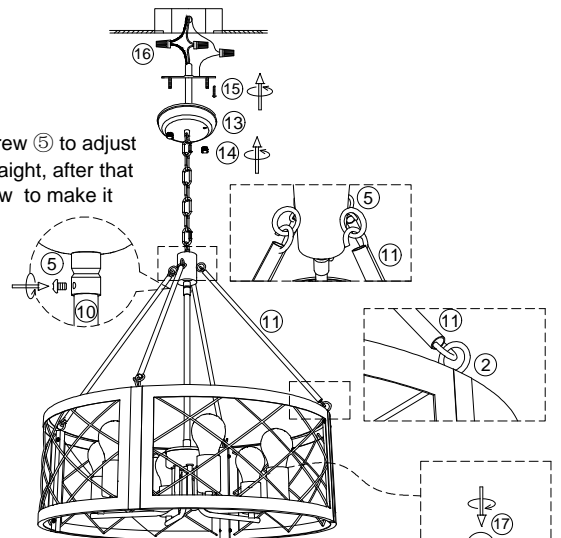
3. Let the wire of the light fixture go through the tube ⑩ and hanging part ⑤, rotate to fix both to the fixture.

4. Fasten the tube ⑩ with grub screw ⑧ by rotate hex key ⑨.



5. Hang the fixture to the canopy ⑬ with chain ⑫, let the wire go through the chain ⑫ and canopy ⑬.

Loosen screw ⑤ to adjust tube ⑩ straight, after that rotate screw to make it fasten.



6. Install the bracket to the ceiling junction box with screw ⑮.

7. Connect the wire to your home line with cap connector ⑯.

8. Install the fixture to the bracket with cap nut ⑭.

9. Install the metal frame to the fixture with hook tube ⑪.

10. Install the bulb ⑰.

Please read carefully before installation!!!

Note : Please make sure that the electricity is powered off during installation !

Only a professional electrician should install this kind of product !