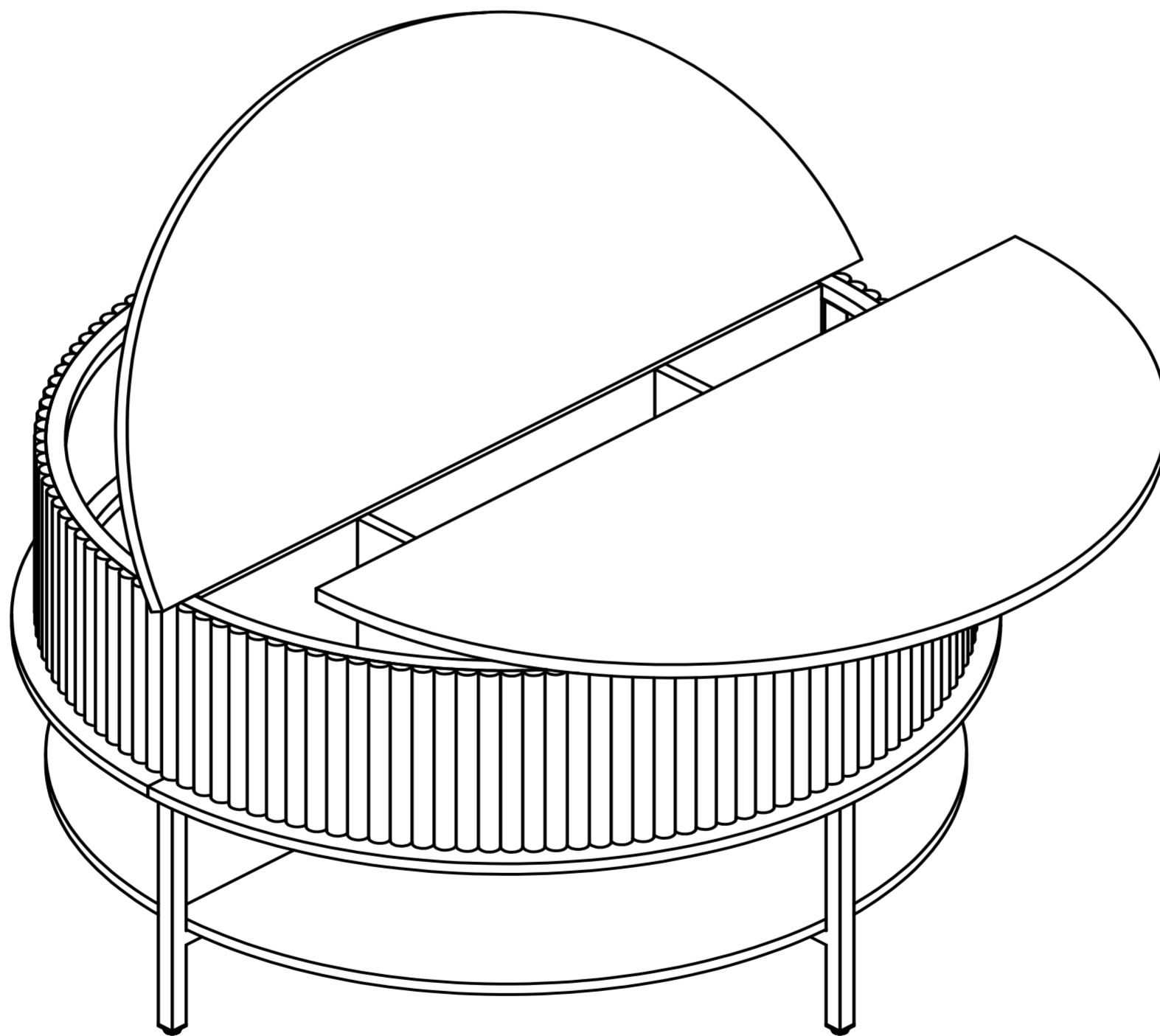
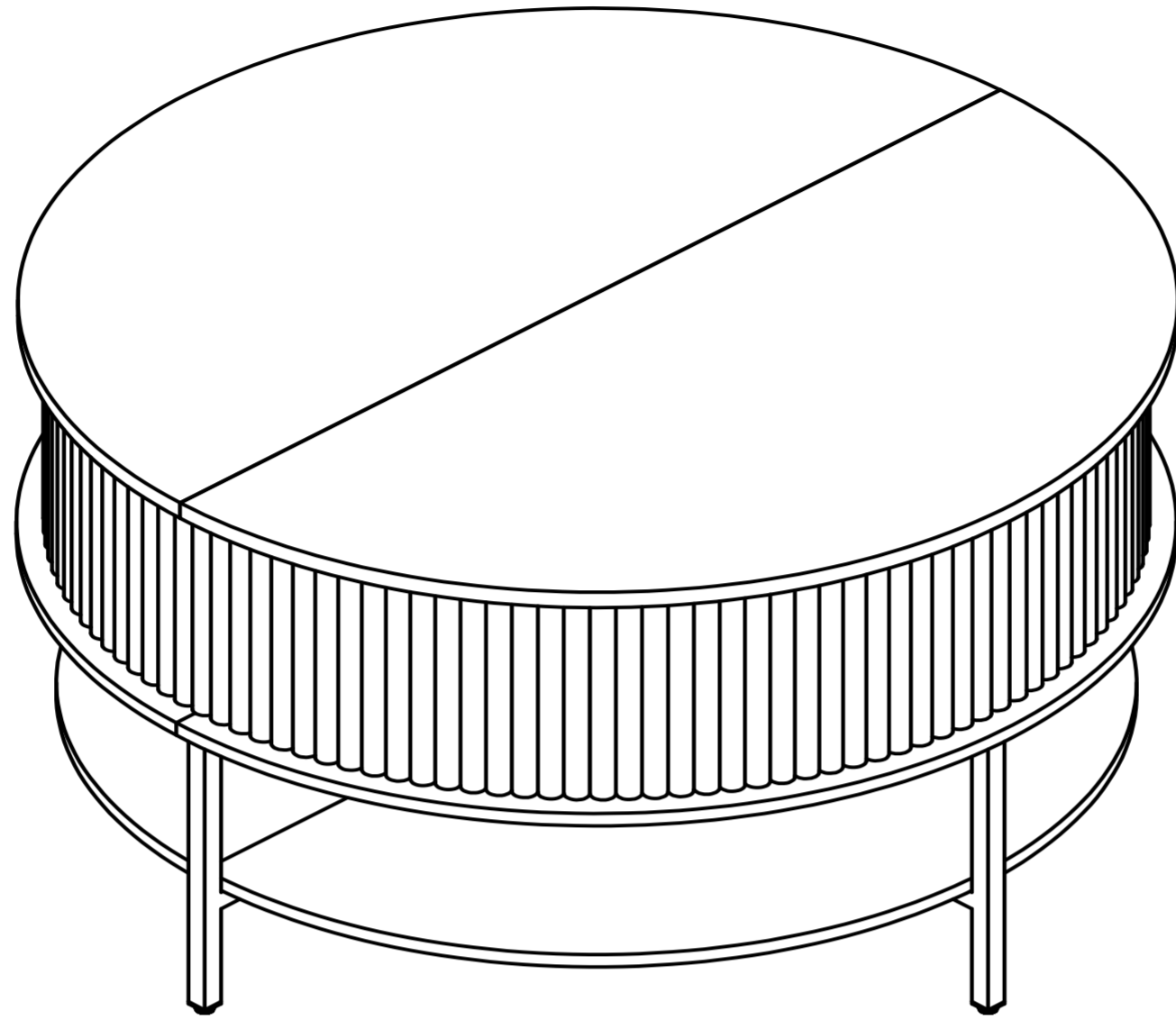
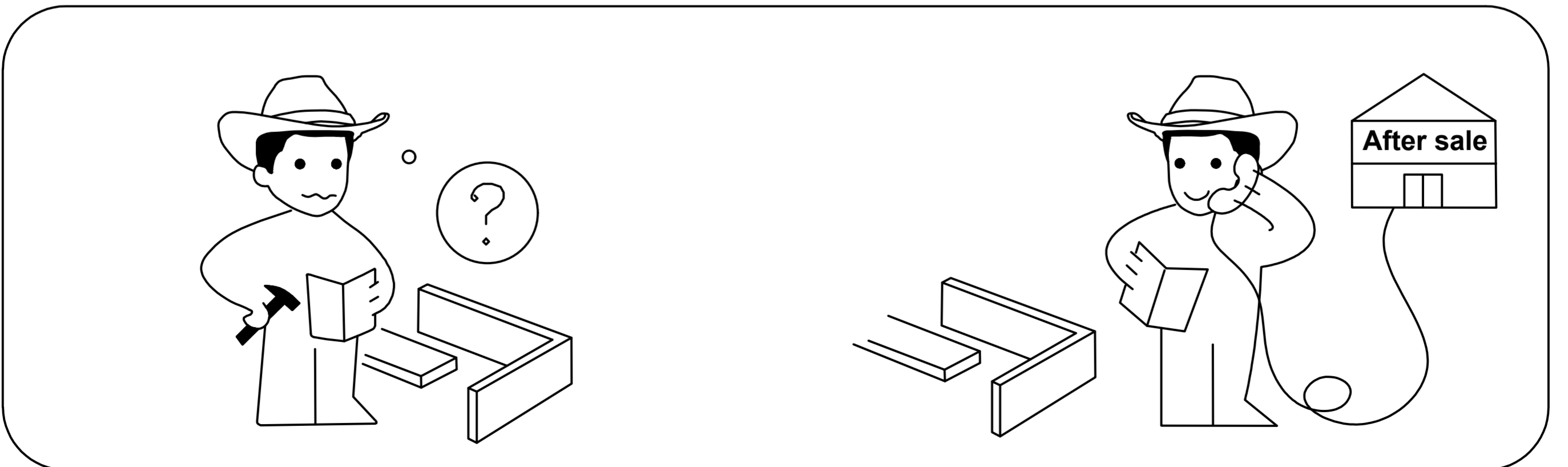
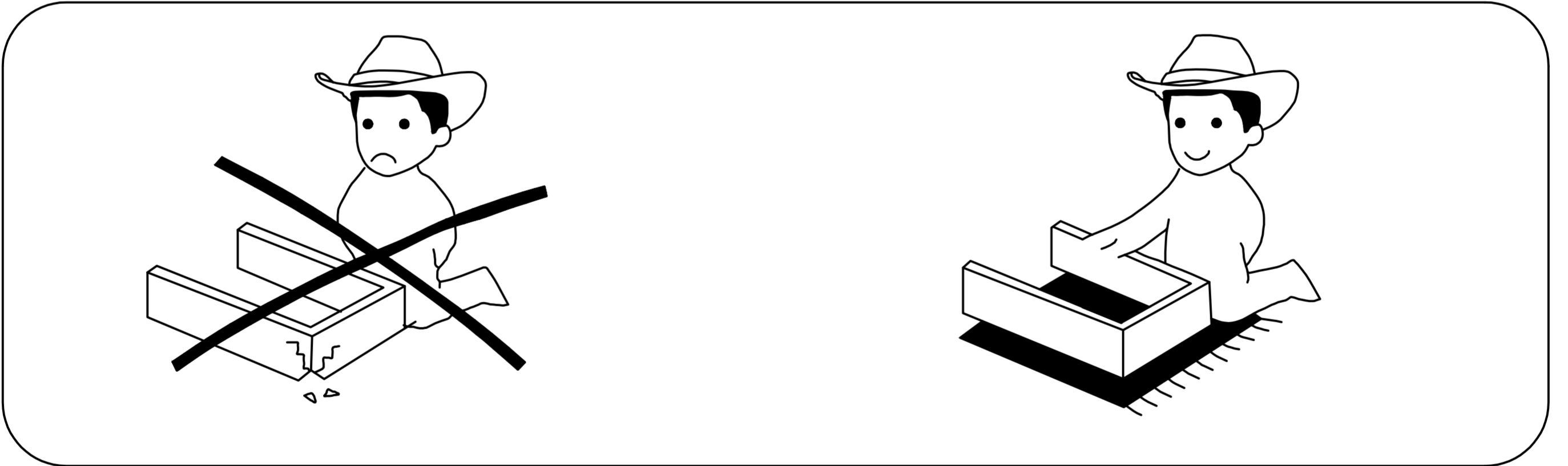
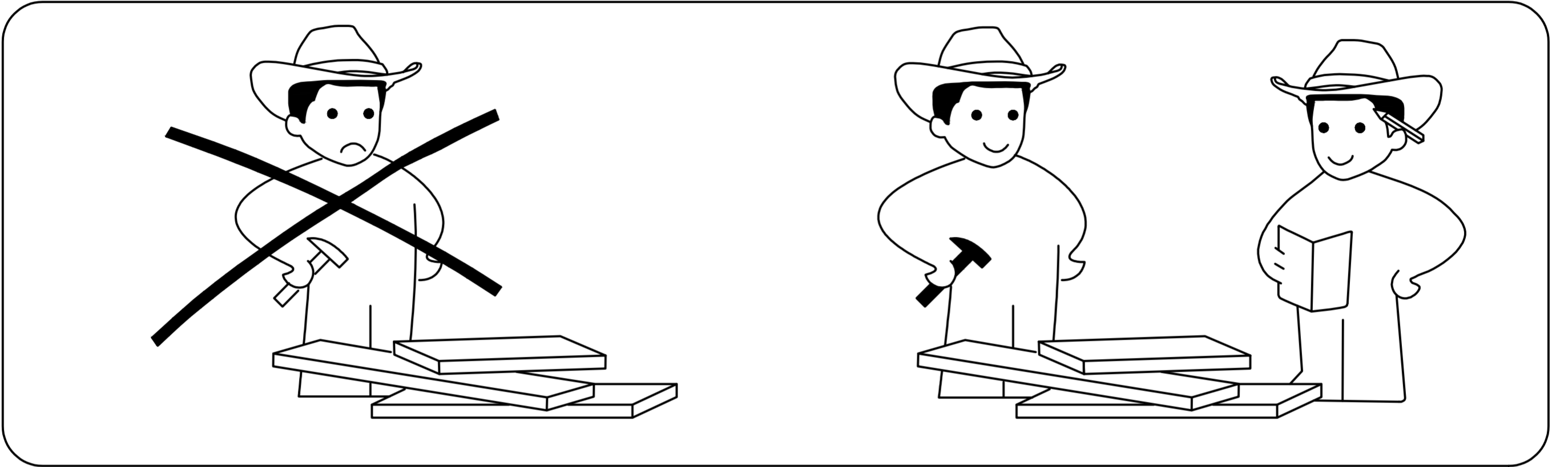
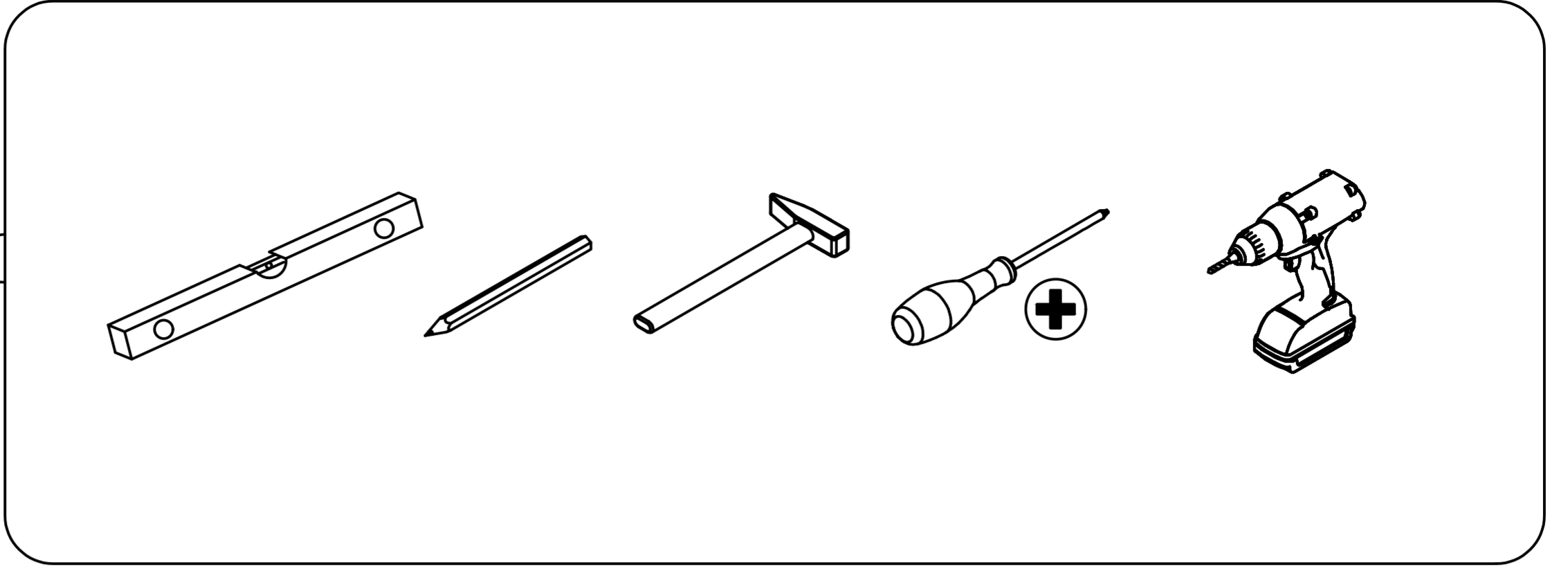
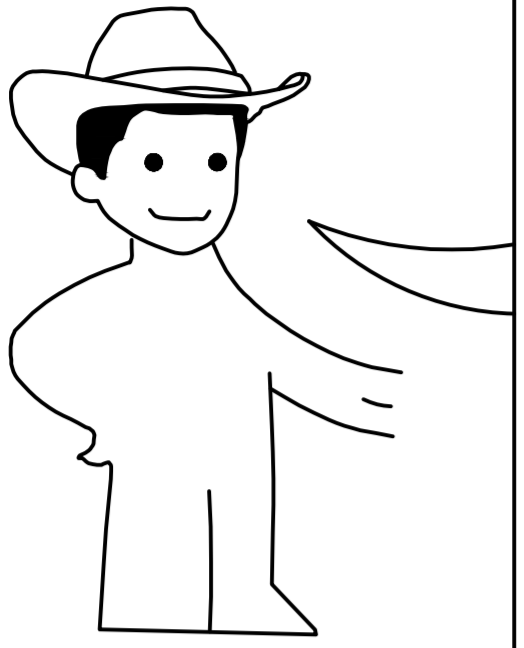
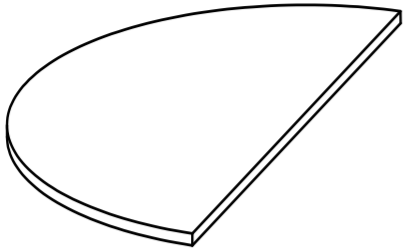
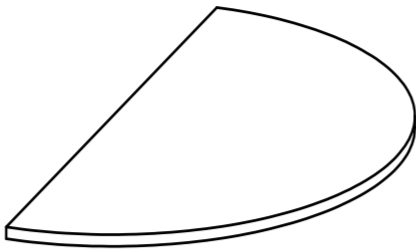
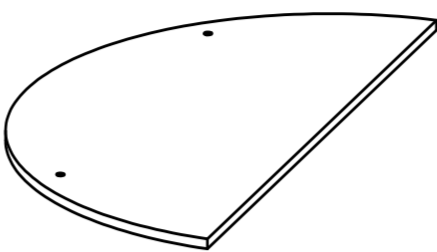
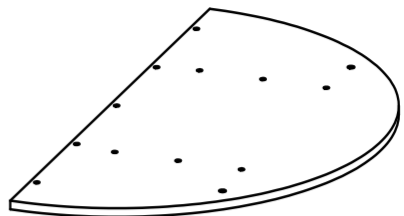
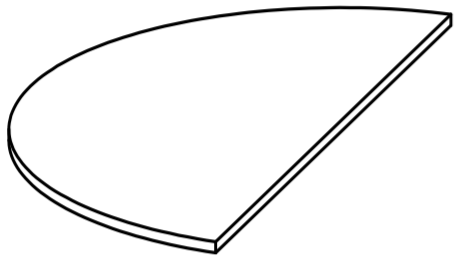
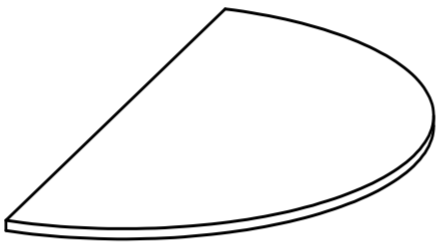
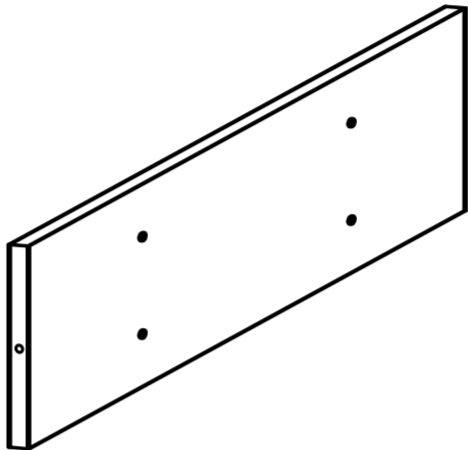
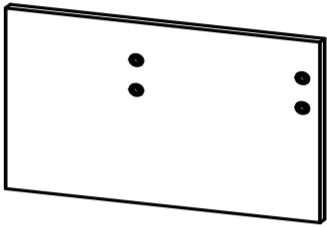
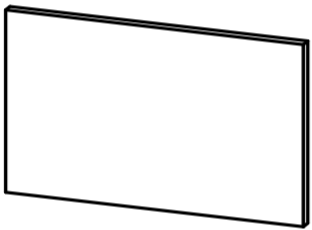
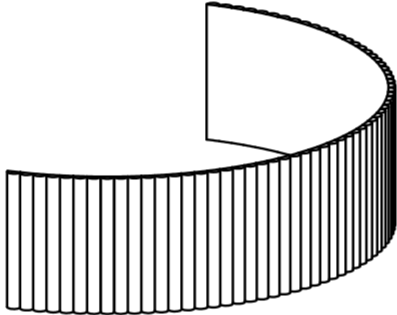
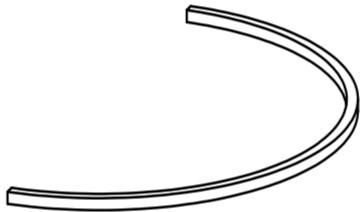
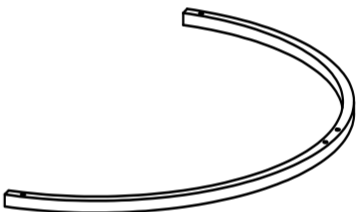
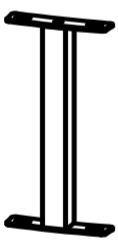
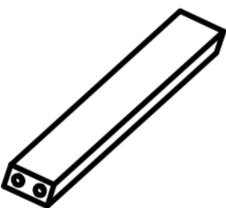
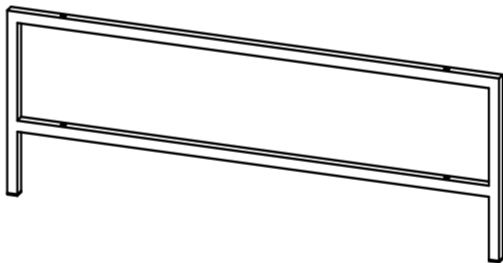
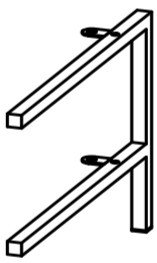
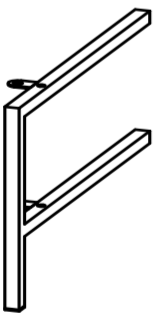
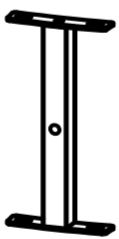
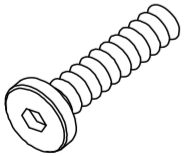
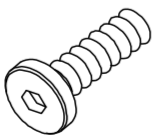

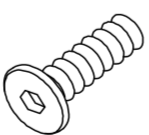

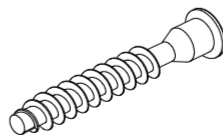
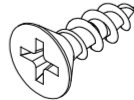

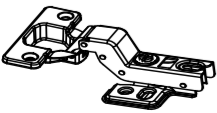
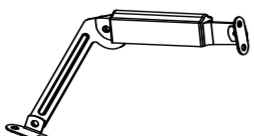


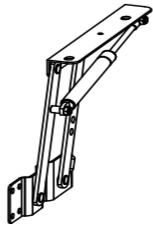

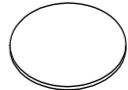
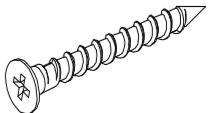
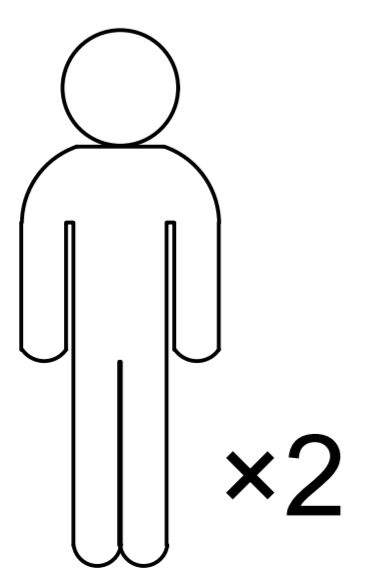
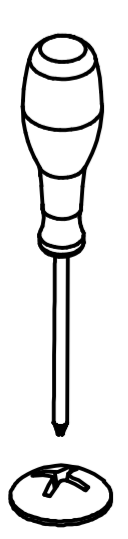
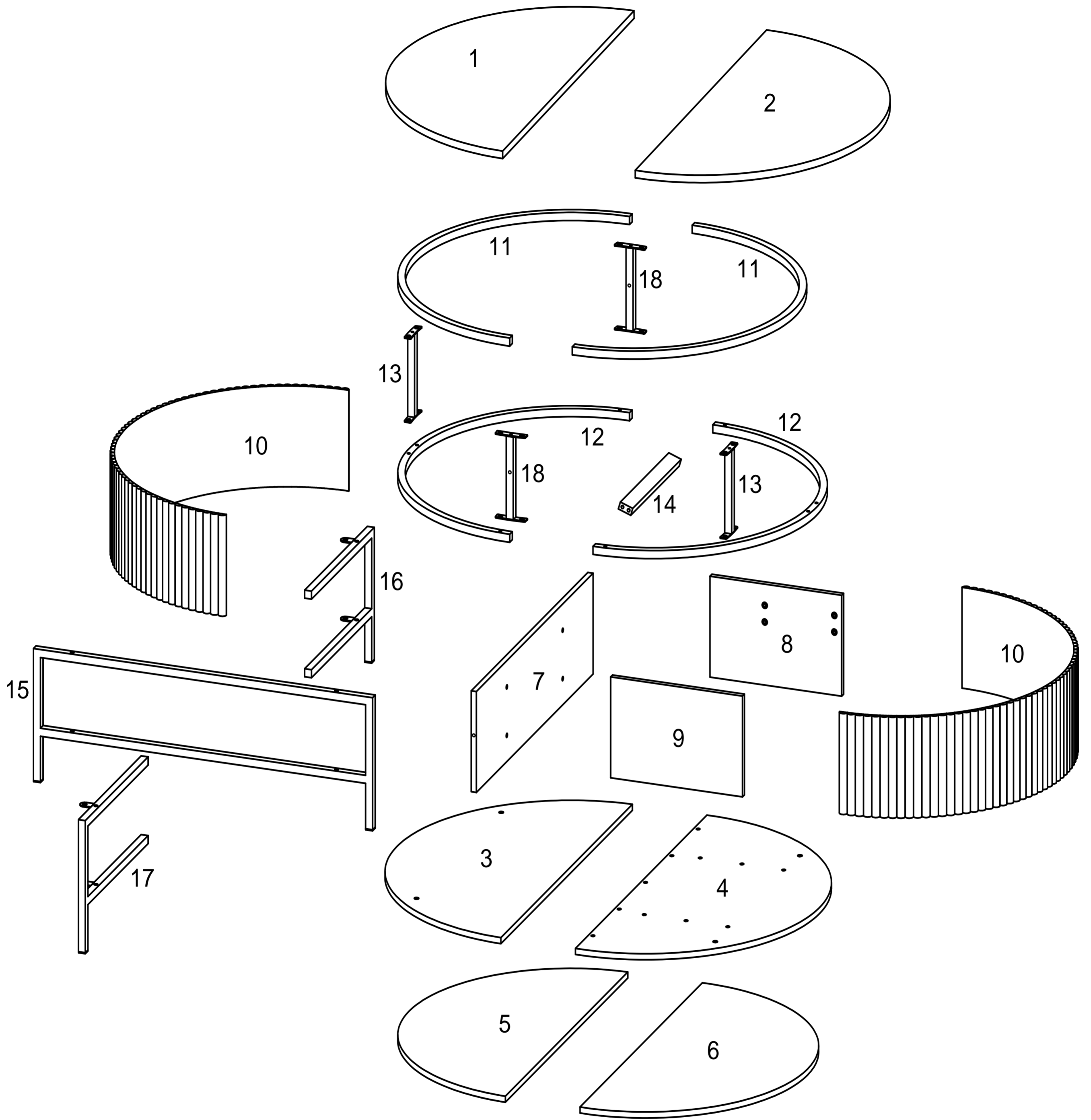


Installation & Assembly



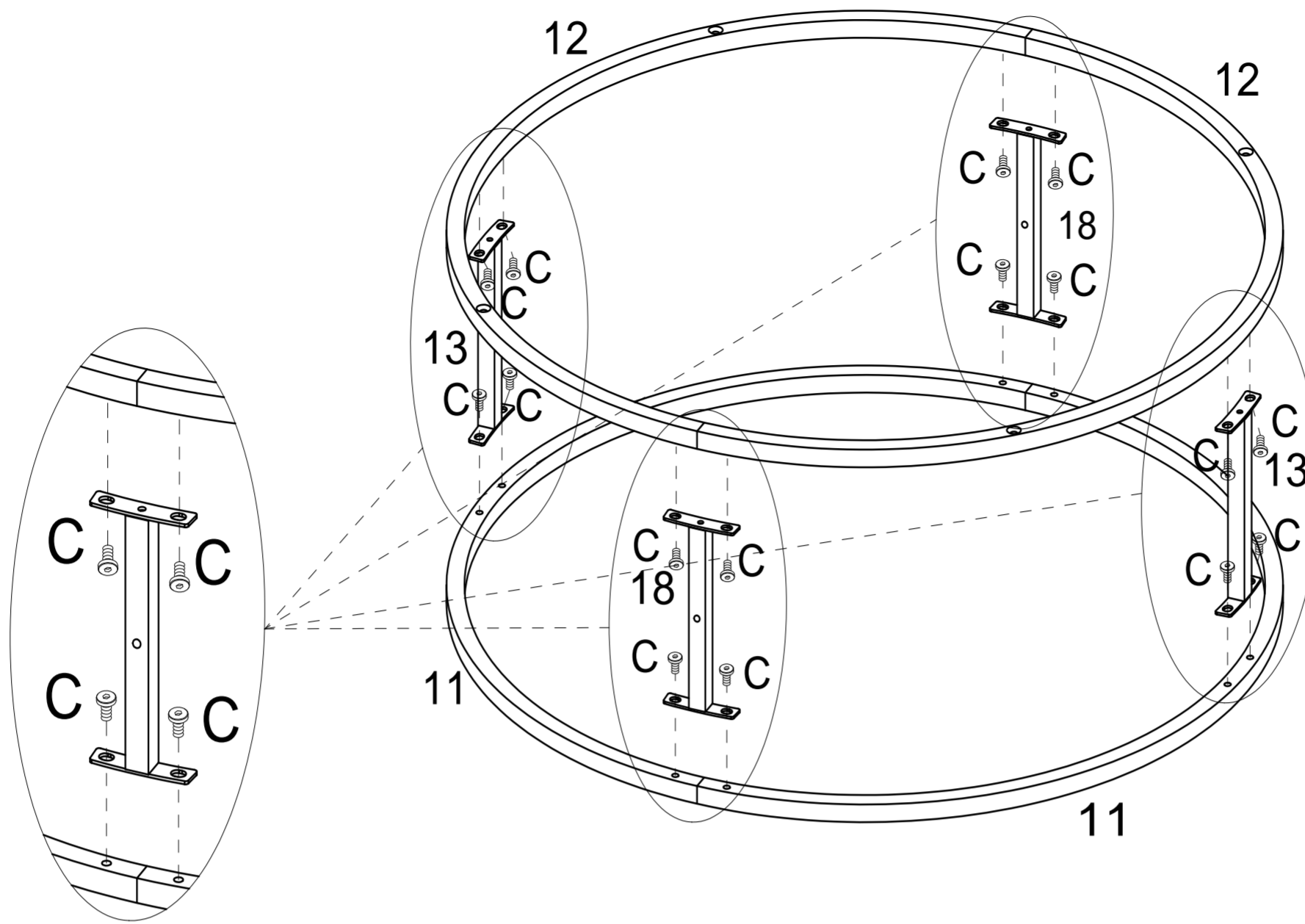


1×1*pc 		2×1*pc 		3×1*pc 		4×1*pc 	
5×1*pc 		6×1*pc 		7×1*pc 		8×1*pc 	
9×1*pc 		10×2*pcs 		11×2*pcs 		12×2*pcs 	
13×2*pcs 		14×1*pc 		15×1*pc 		16×1*pc 	
17×1*pc 		18×2*pcs 					
A×8*pcs (+2)  M6×25mm	B×4*pcs (+2)  M6×20mm	C×40*pcs (+2)  M6×10mm	D×4*pcs (+2)  M6×25mm	E×4*pcs (+2)  Ø8×30mm	F×11*pcs (+2)  6×48mm	G×16*pcs (+2)  3.5×12mm	H×4*pcs 
I×2*pcs 	J×1*pc 	k×2*pcs 	L×1*pc  4mm	M×1*pc 	N×1*pc 	O×4*pcs 	P×2*pcs (+2)  4×35mm



x2

1



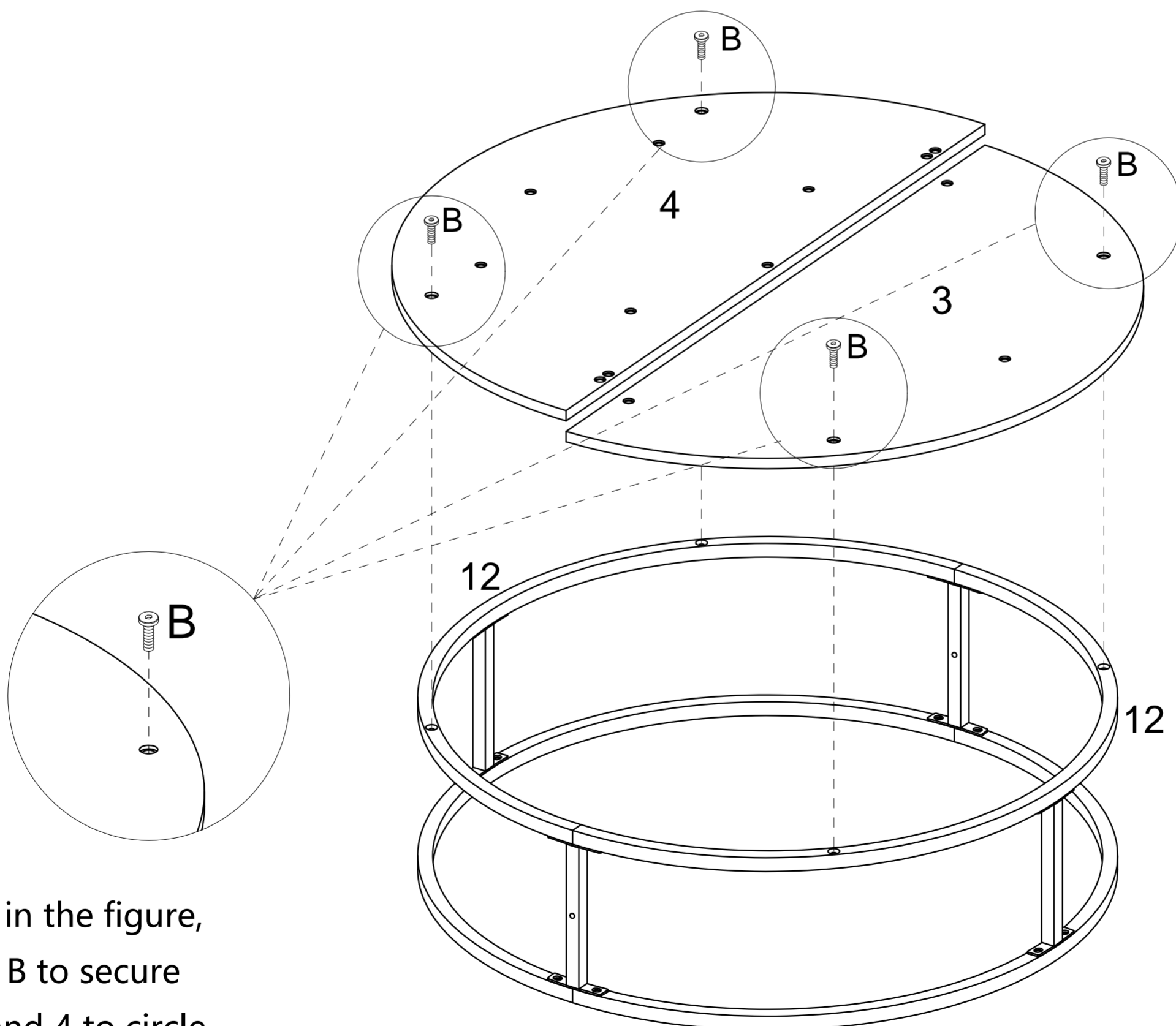
As shown in the figure, assemble the curved steel pipes 11 and 12 into a circle, then use steel pipes 13 and 18 to connect the two circles vertically.

Note: Use steel pipe 18 to connect the joints of the two circles.

Cx16 

Lx1 

2



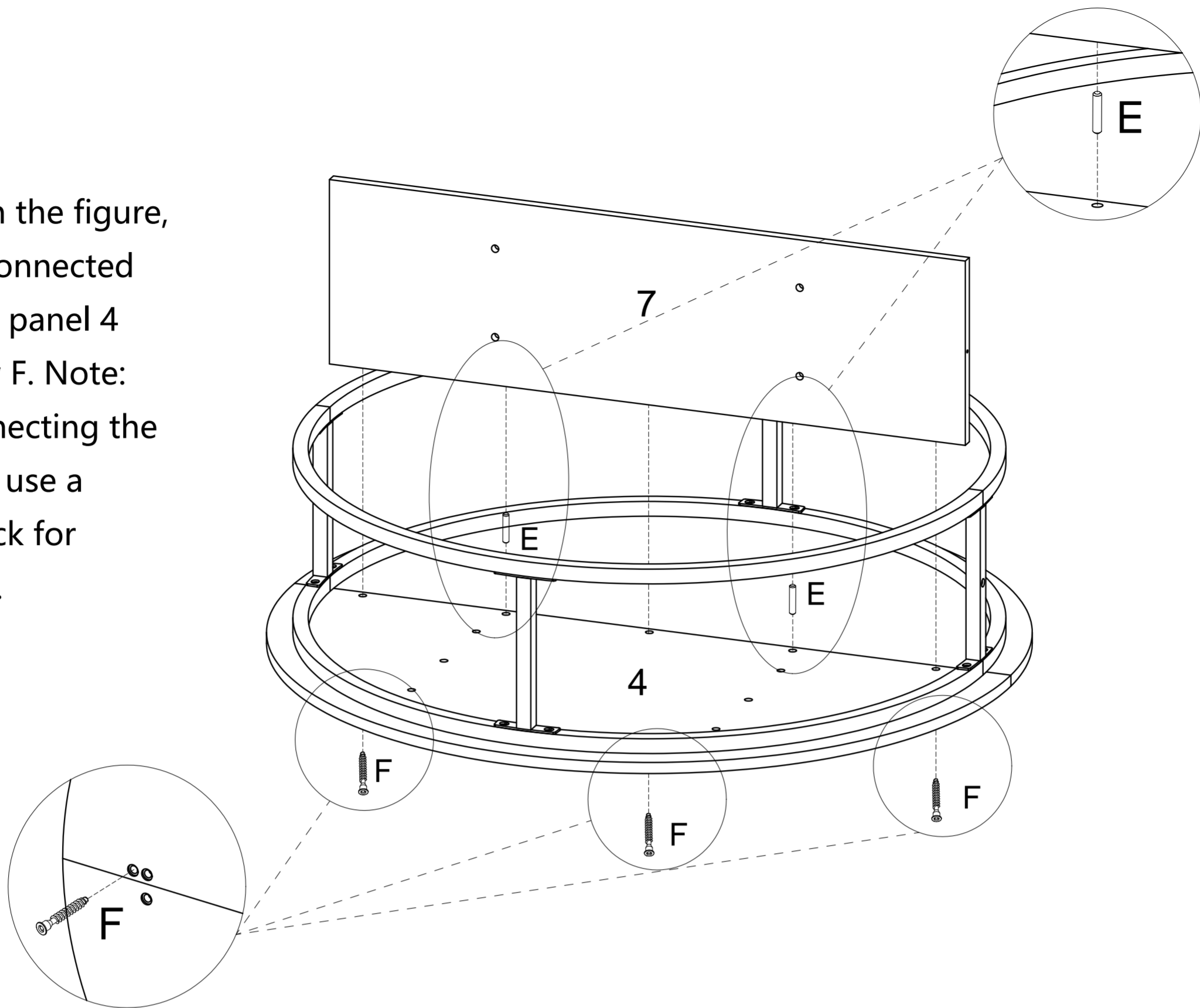
As shown in the figure, use screw B to secure panels 3 and 4 to circle 12.

Bx4 

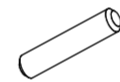
Lx1 

3

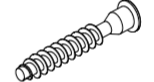
As shown in the figure, panel 7 is connected vertically to panel 4 using screw F. Note: Before connecting the two panels, use a wooden stick for positioning.



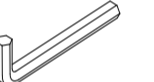
E×2



F×3

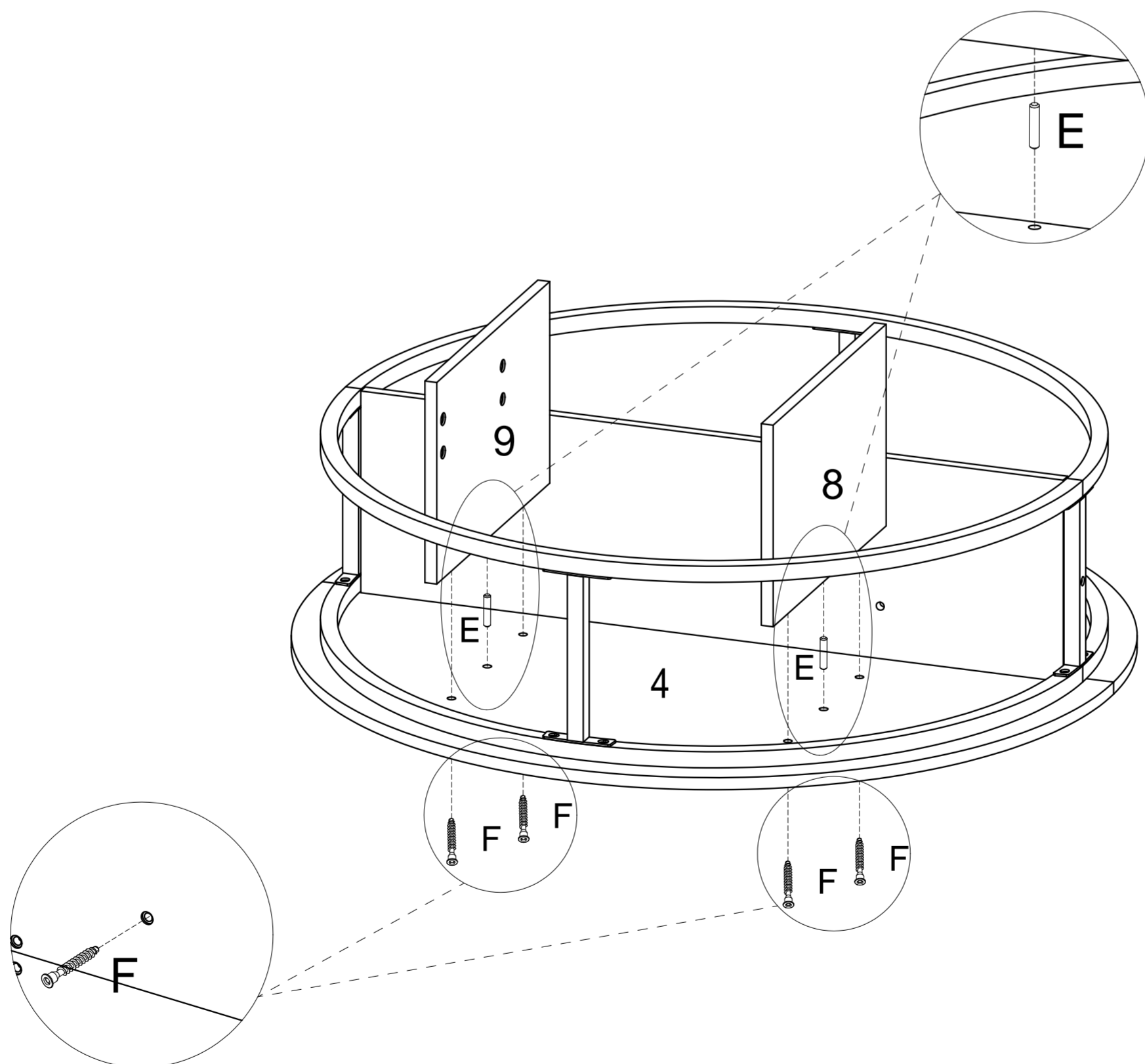


L×1

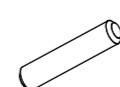


4

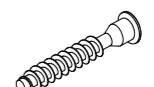
As shown in the figure, use screw F to connect panel 9 and panel 8 vertically to panel 4. Note: Before connecting the panels, use a wooden stick to position the panels.



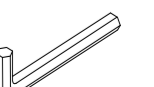
E×2



F×4

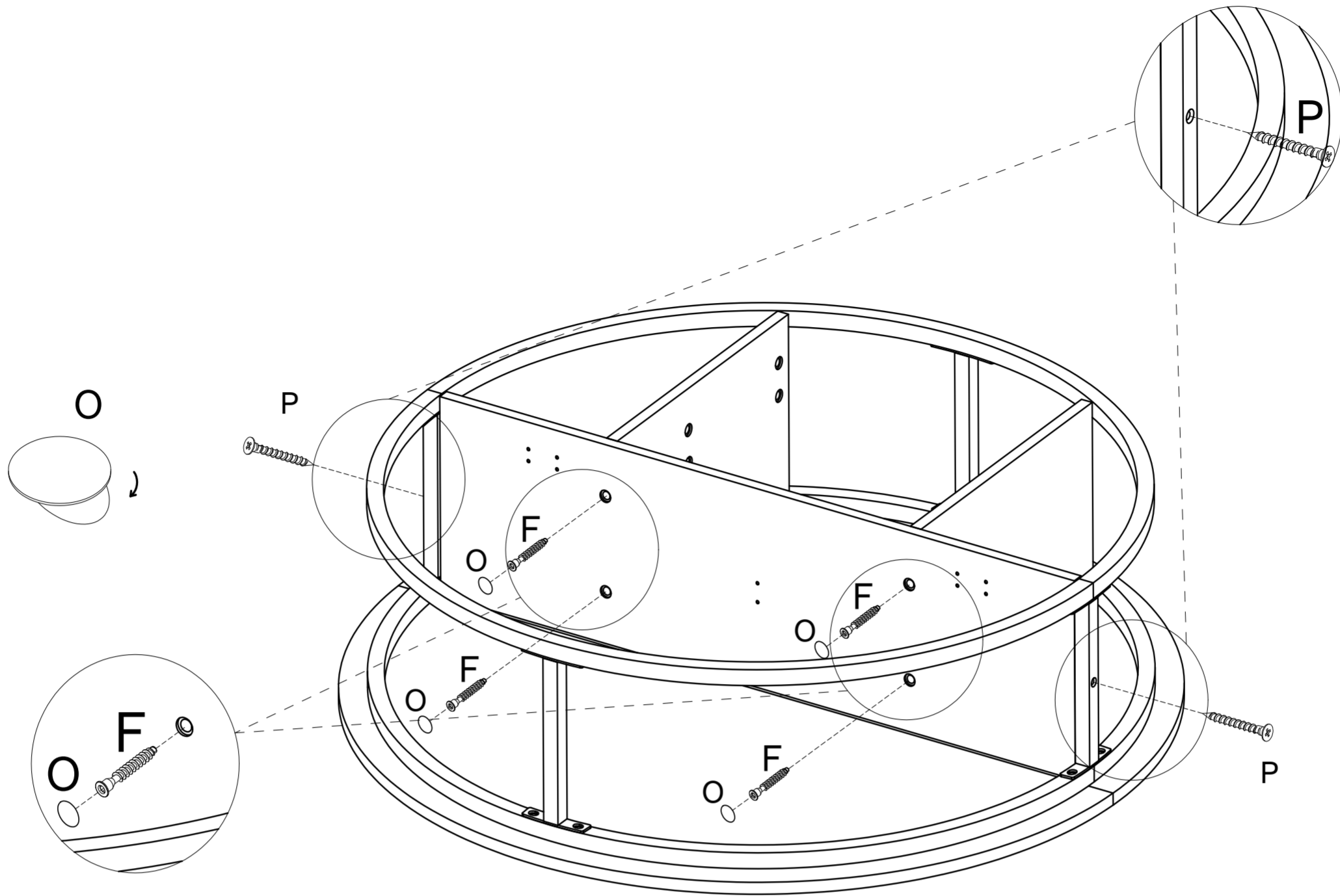


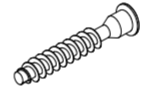
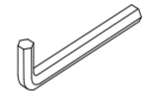
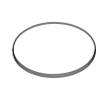
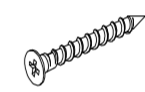
L×1



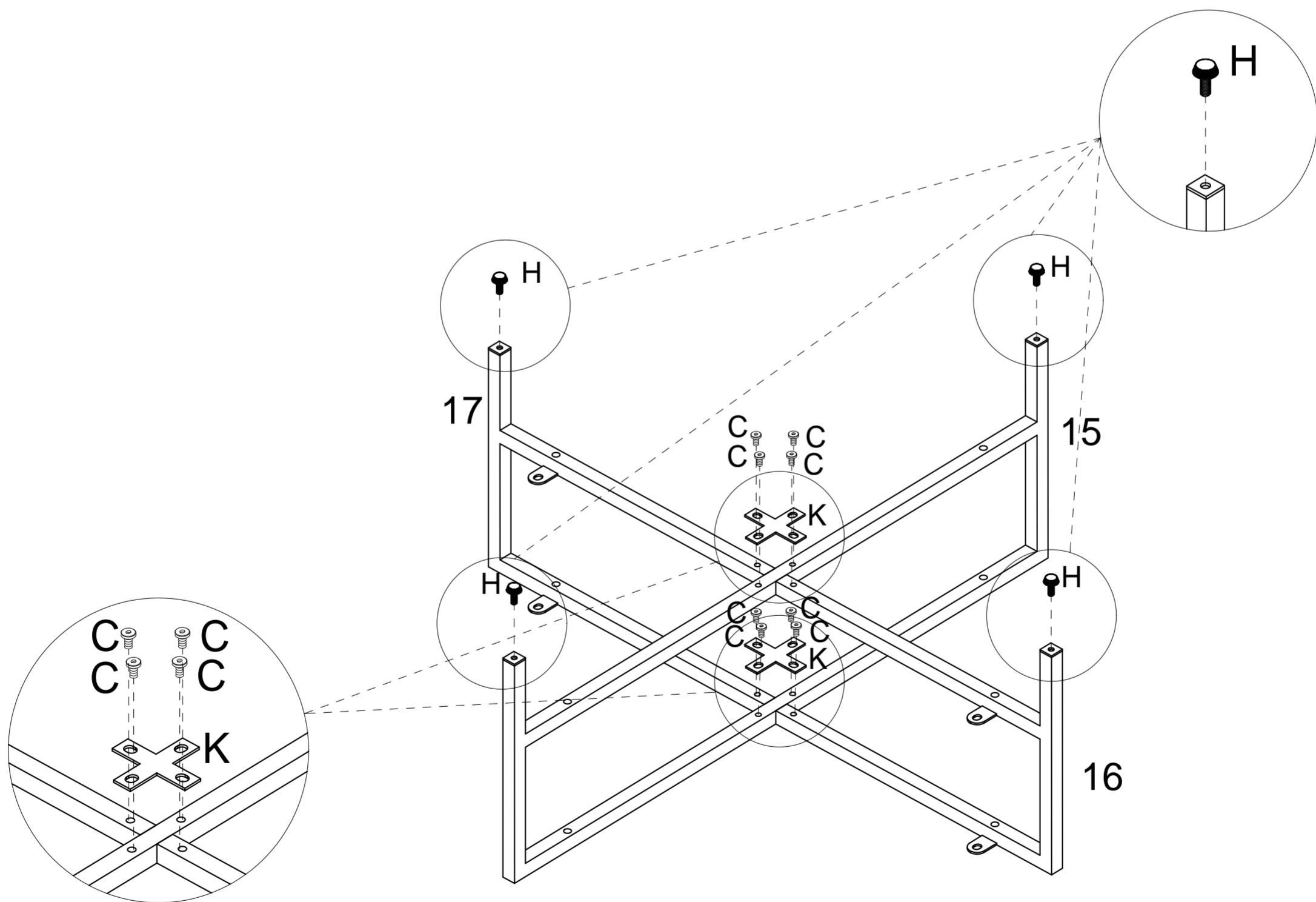
5

As shown in the figure, use screw F to connect panel 7 to panels 8 and 9. Then use screw P to connect panel 7 to the



F×4  L×1  O×4  P×2 

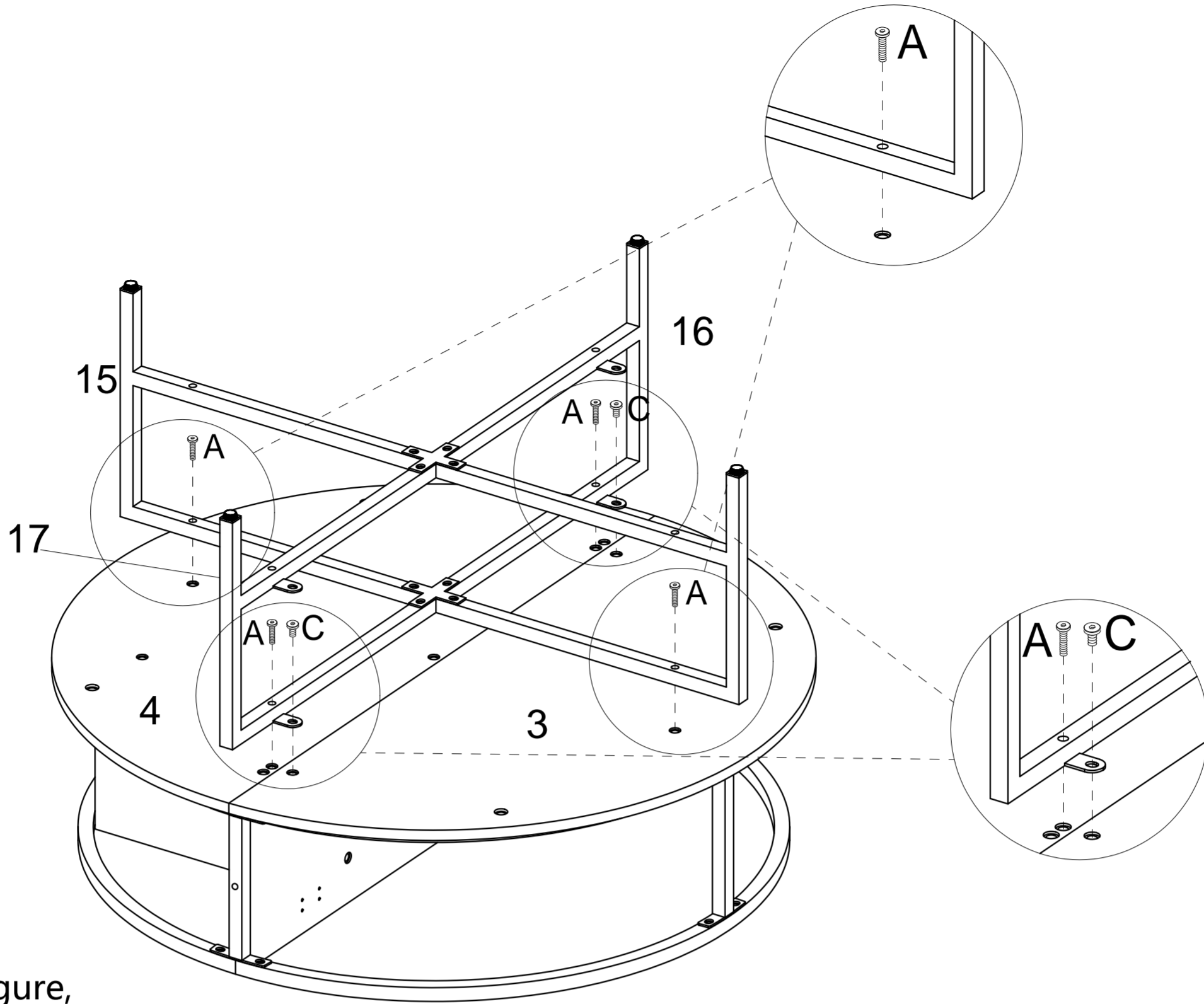
6



As shown in the figure, use screw C and accessory K to connect steel pipe frames 15, 16, and 17 in a cross pattern to form table legs. Then install adjustable foot pads H on the four protruding table legs.

C×8  H×4  K×2  L×1 

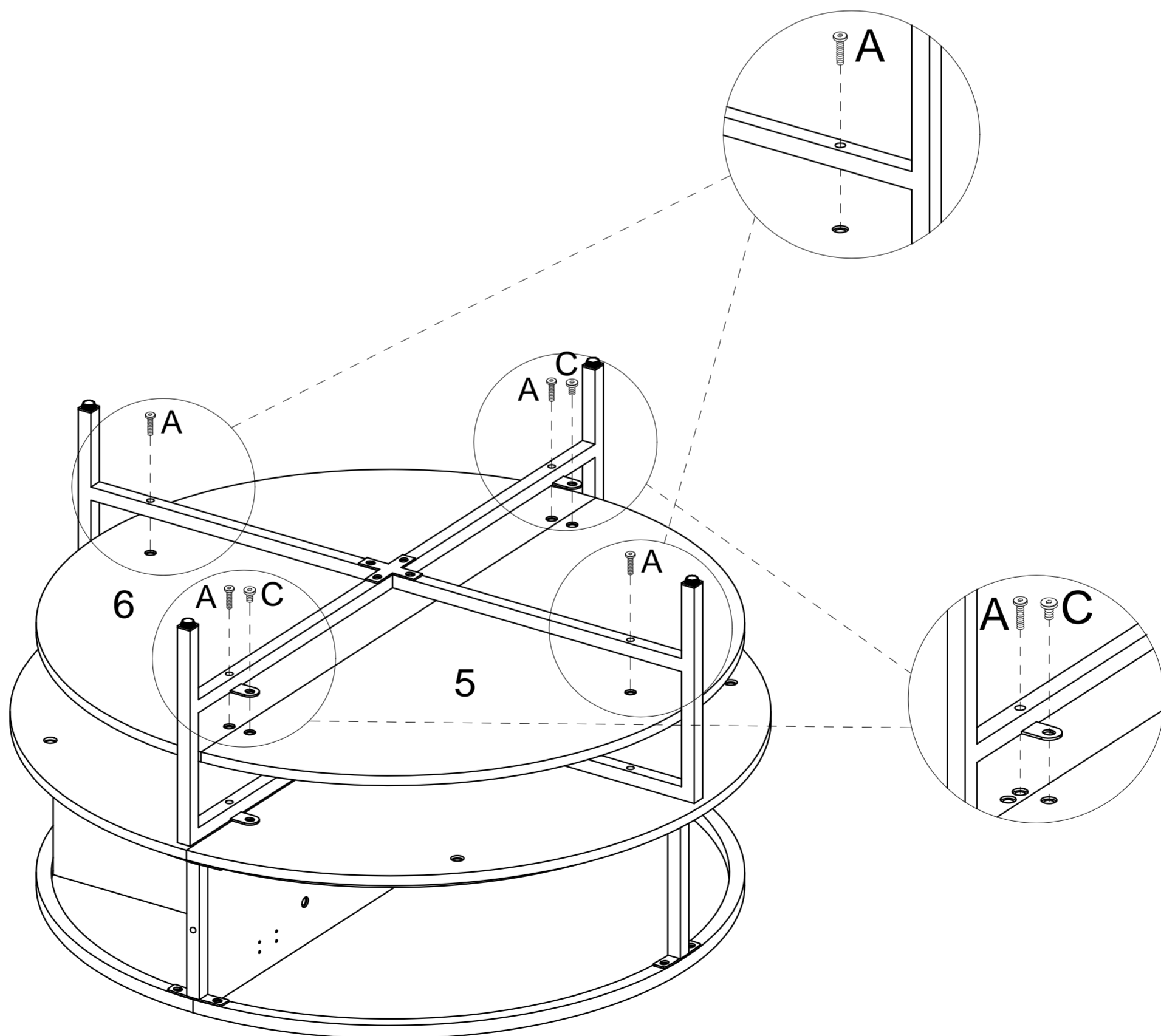
7



As shown in the figure,
connect the assembled table
leg frame to panels 3 and 4
using screws A and C.



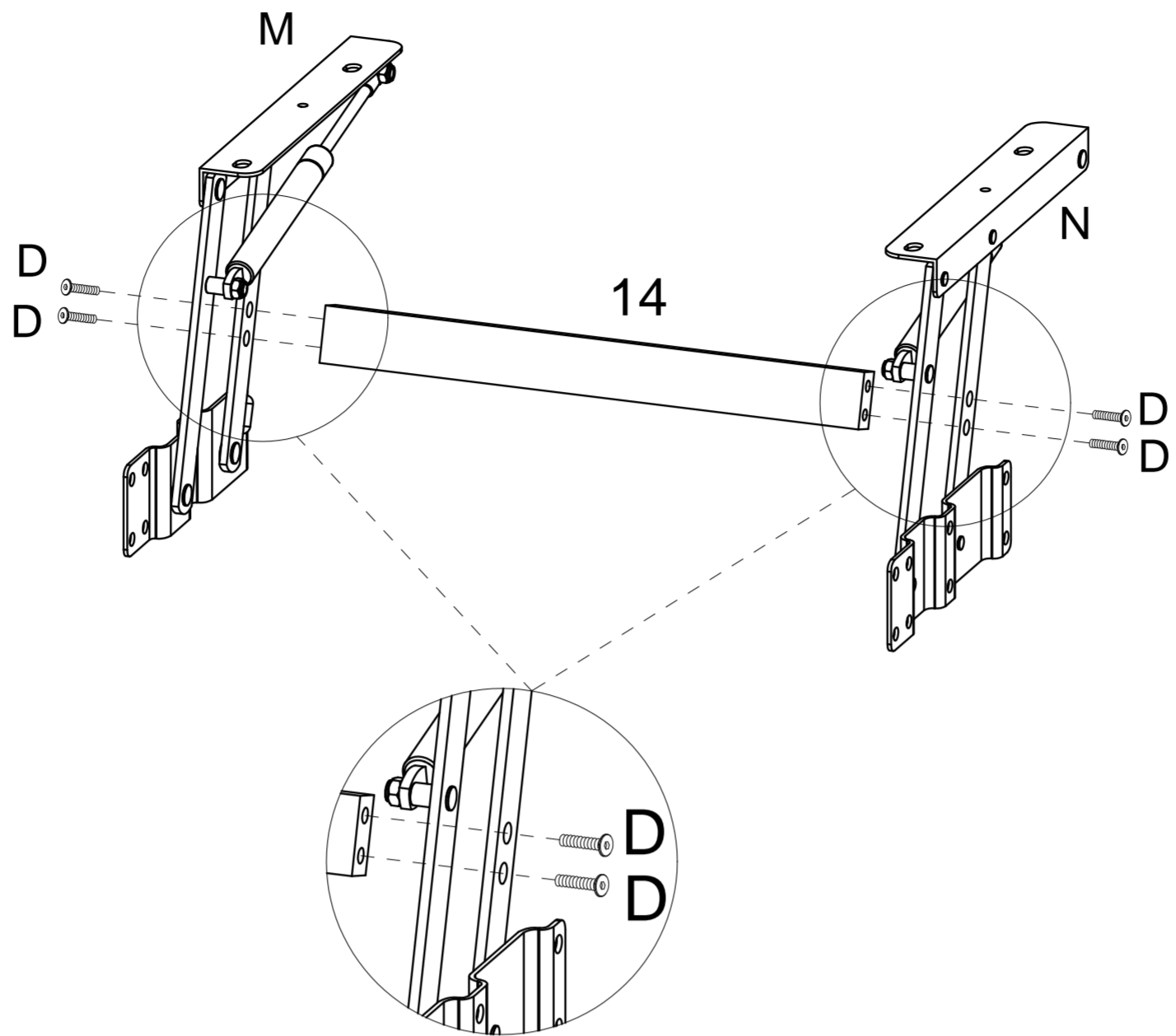
8



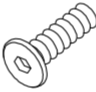
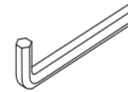

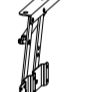
As shown in the figure, use screw A and screw C to
connect panel 5 and panel 6 to the inside of the table
leg frame.



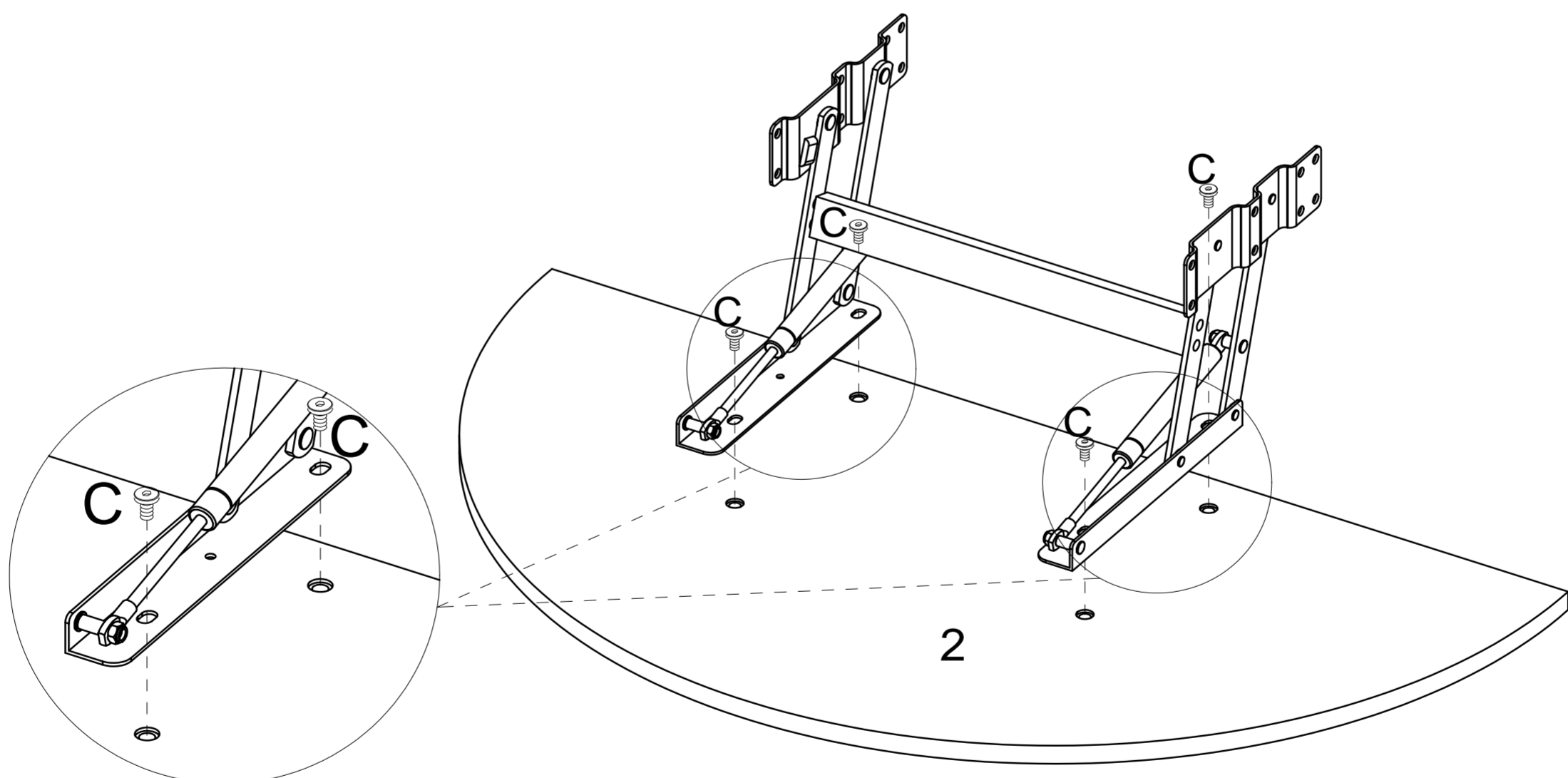
9




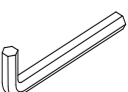
As shown in the figure, use screw D and accessory 14 to connect table lifters M and N together.

Dx4 	Lx1 	Mx1 	Nx1 
---	---	---	---

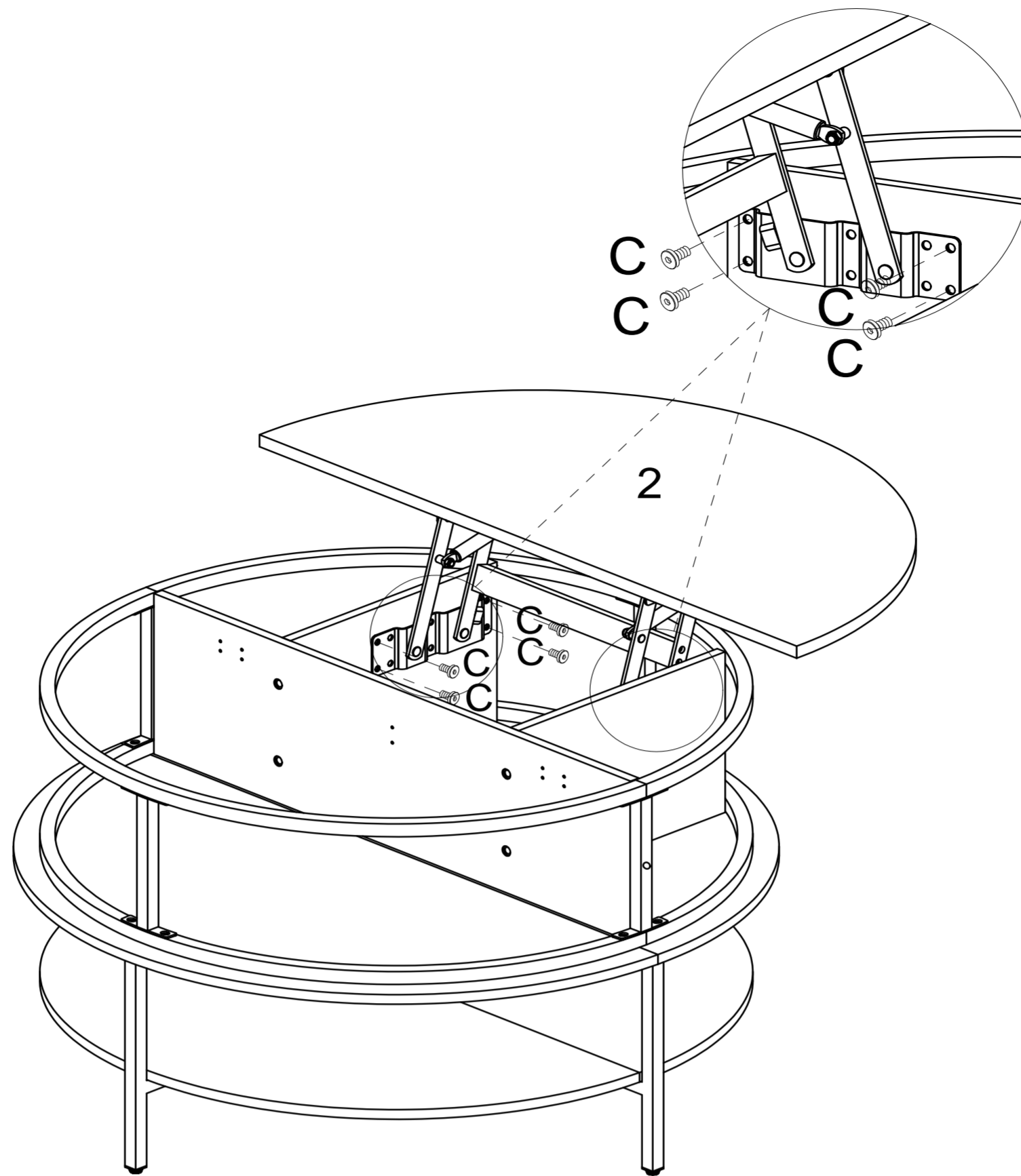
10



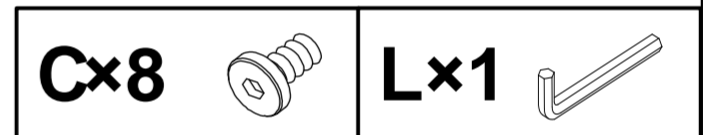
As shown in the figure, use screw C to connect the assembled desktop lift to panel 2.

Cx4 	Lx1 
---	---

11

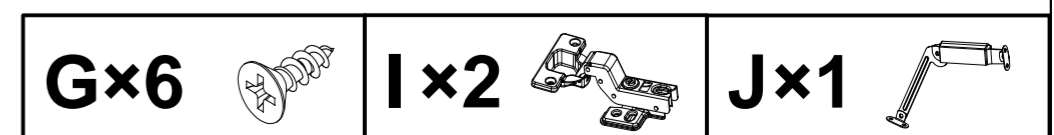
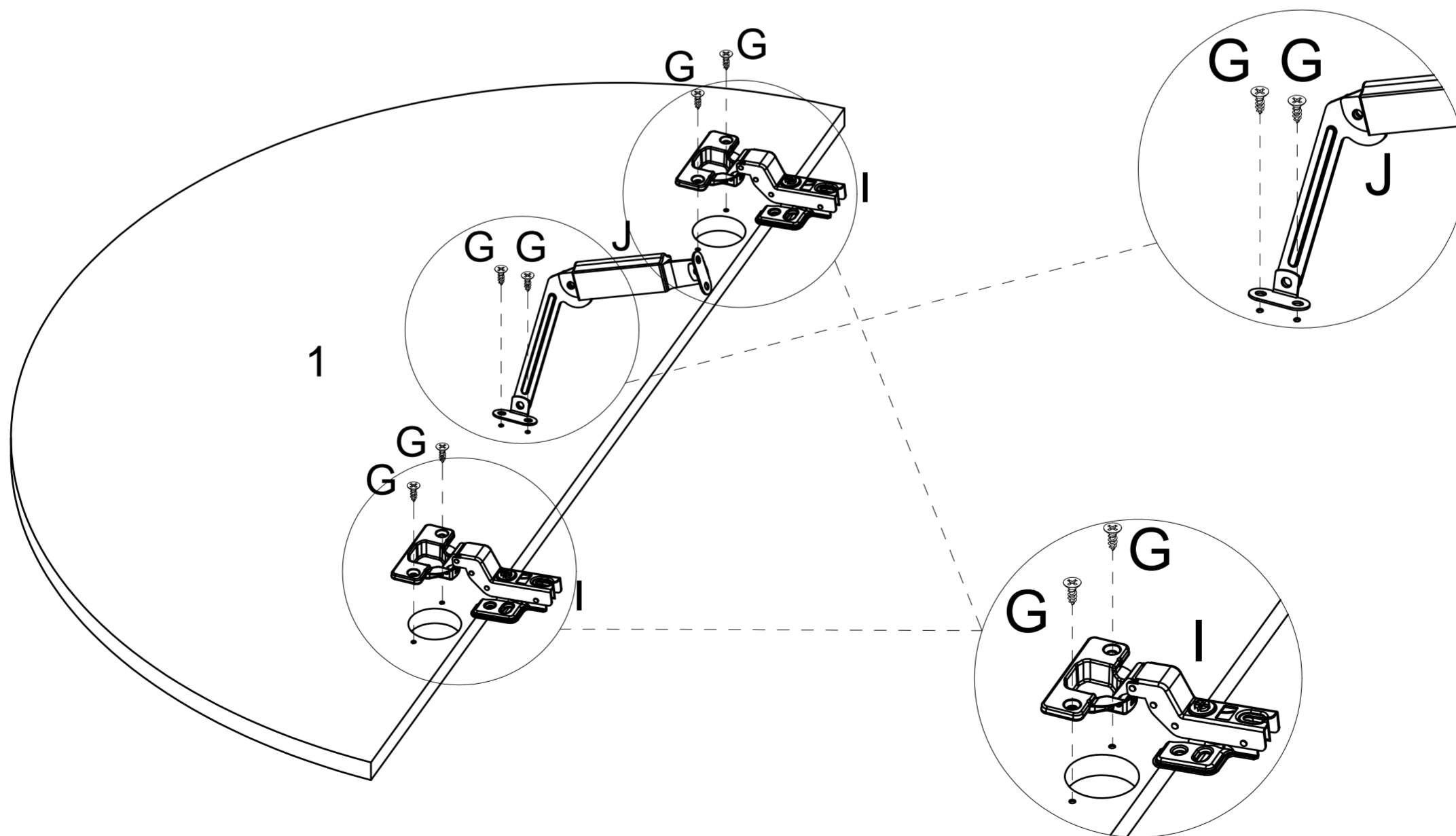


As shown in the figure, use screw C to connect the other end of the desktop lift to panels 8 and 9.



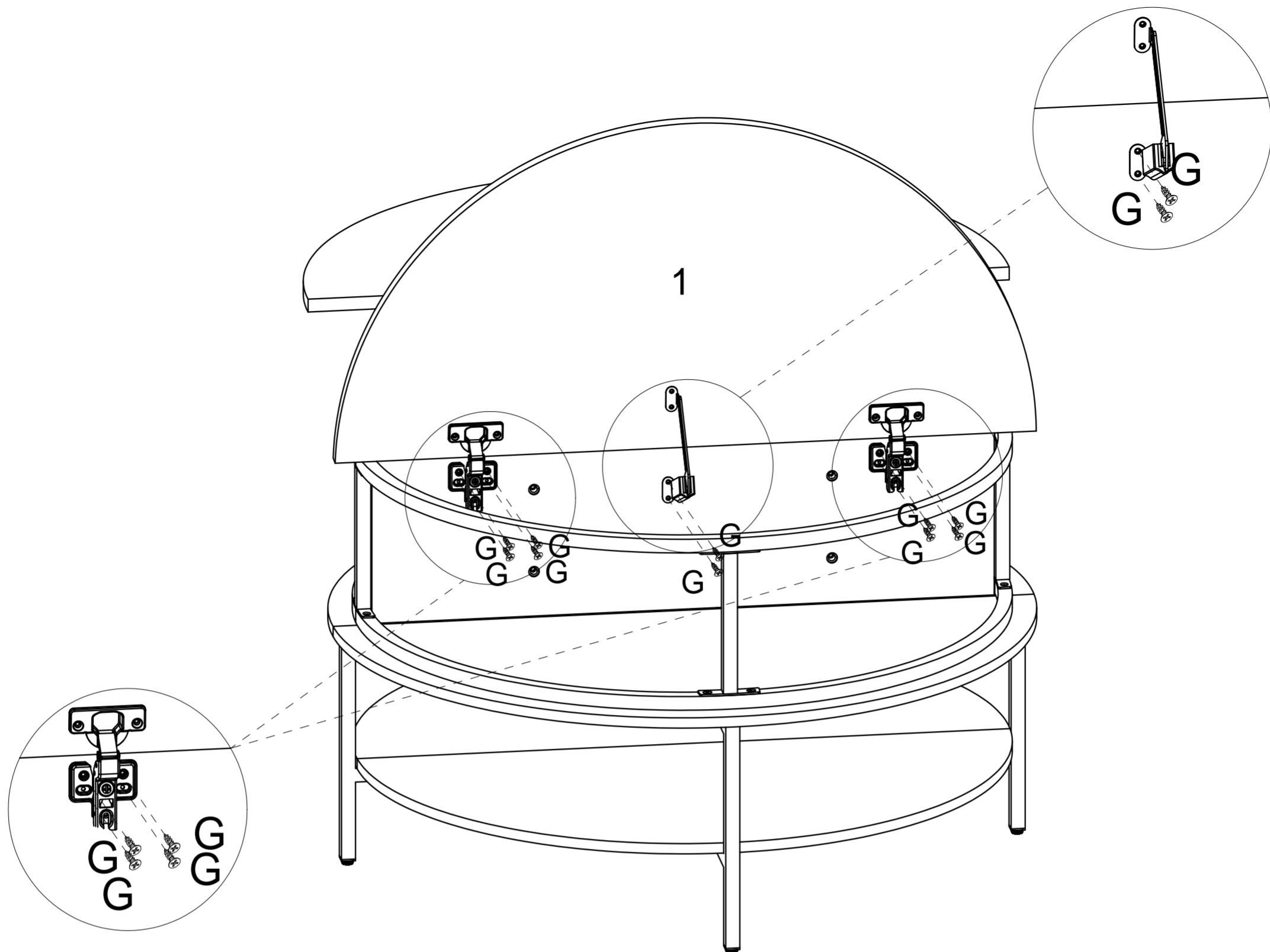
12

As shown in the figure, use screw G to connect hinges I and J to panel 1.



13

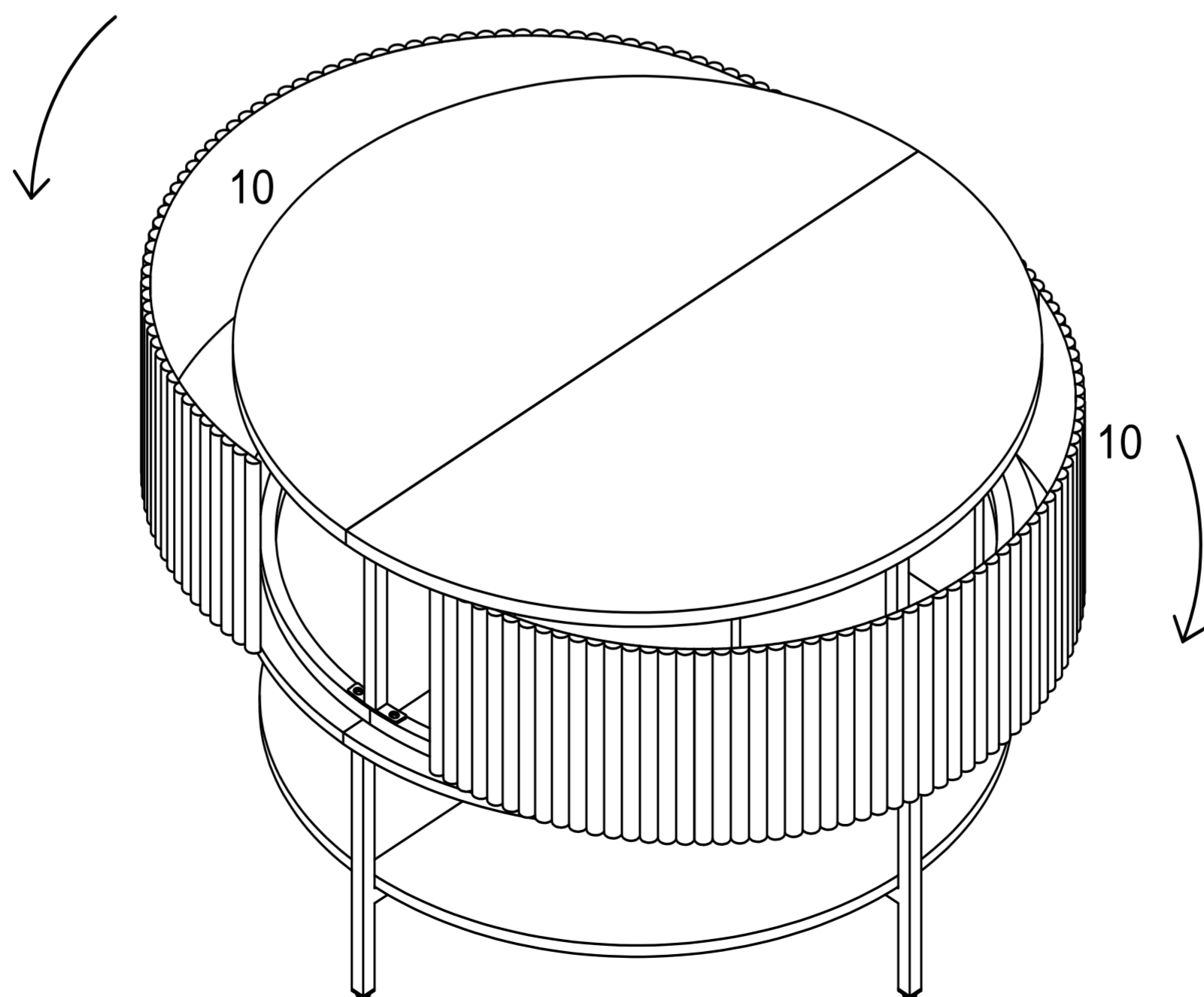
As shown in the figure, connect the other ends of hinges I and J to panel 7.



G×10 

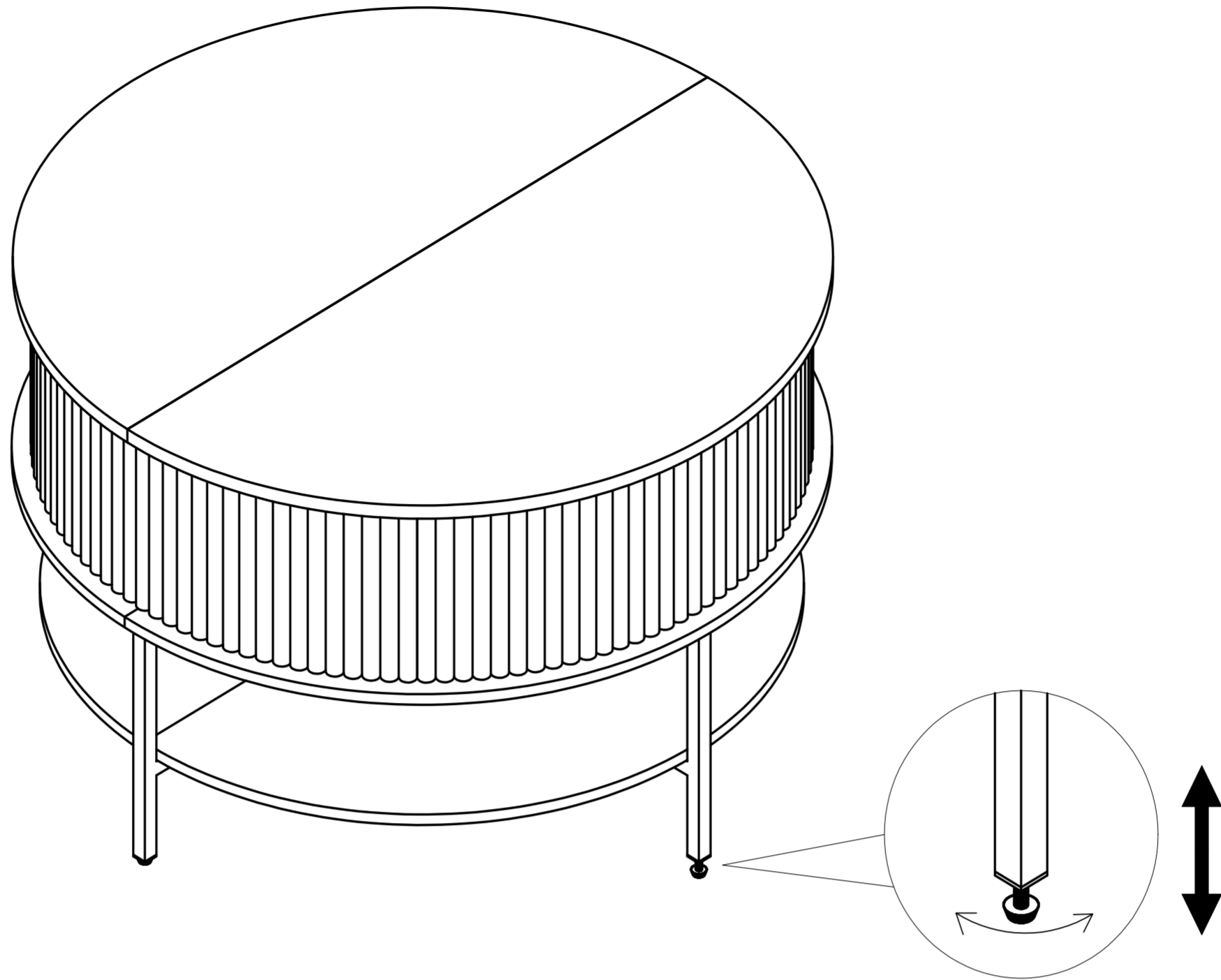
14

As shown in the figure, wrap the soft panel 10 around



15

Adjust the foot pads to stabilize the coffee table.



16

