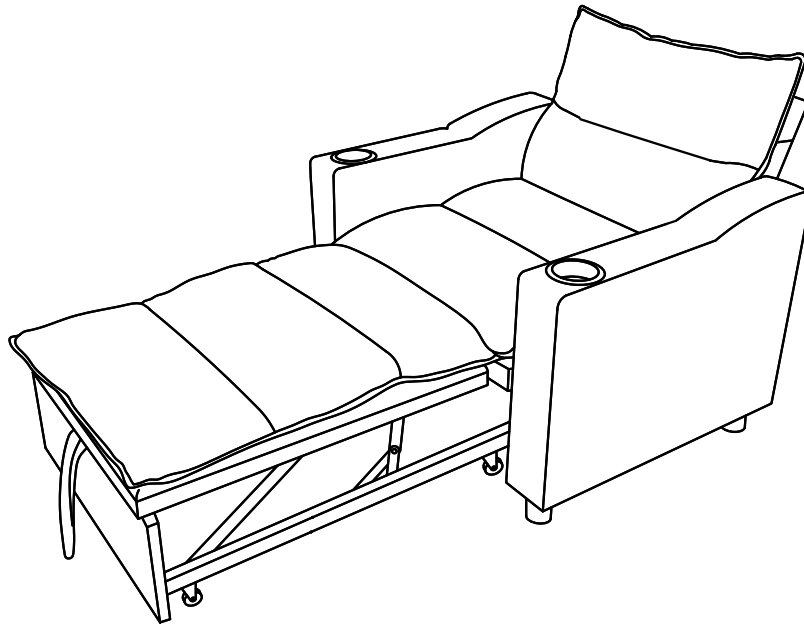


ASSEMBLY INSTRUCTION

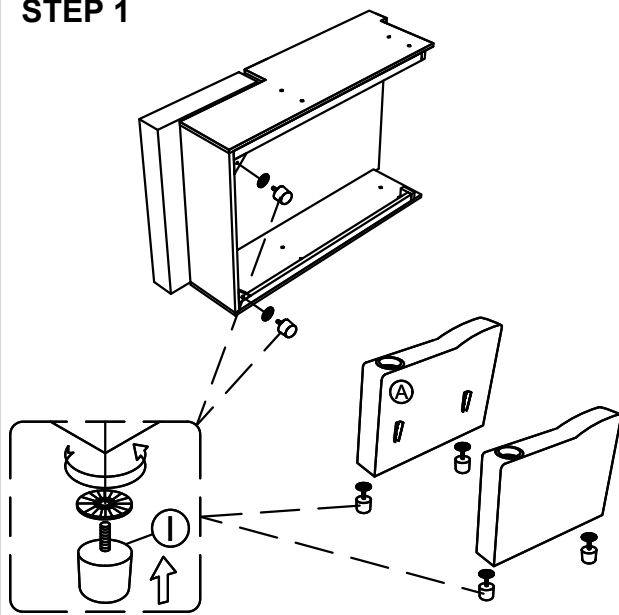


PARTS LIST

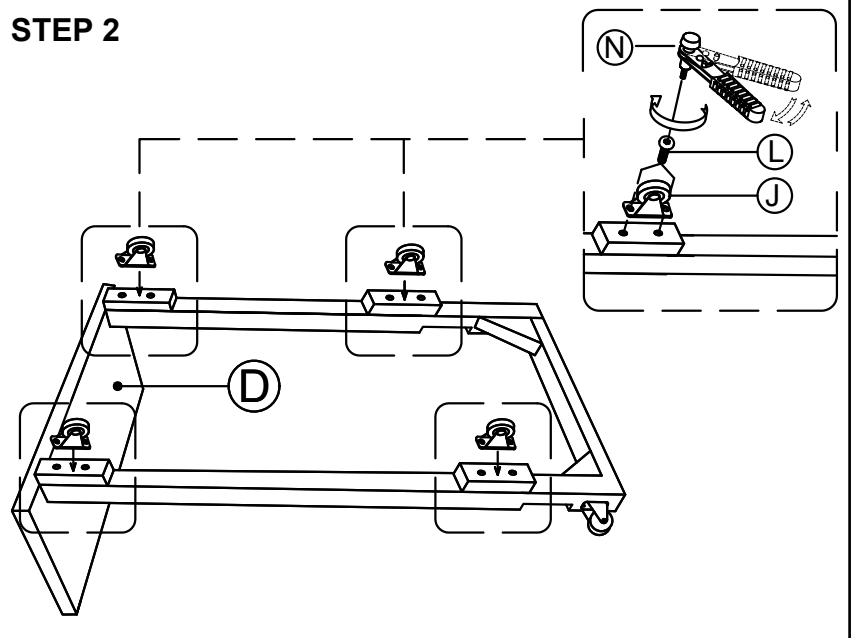
Part A	Part B	Part C	Part D	Part E	Part F	Part G
Left Arm 1PC	Right Arm 1PC	Body 1PC	Pull Panel 2PCS	Small Cushion 1PC	Big Cushion 1PC	Panel 1PC
Steel Frame 1 Pair	Legs 6PCS	Wheels 4PCS	Bolt 1/4" X 25mm 16PCS	Allen key 115 X 50mm 1PC		

ASSEMBLY

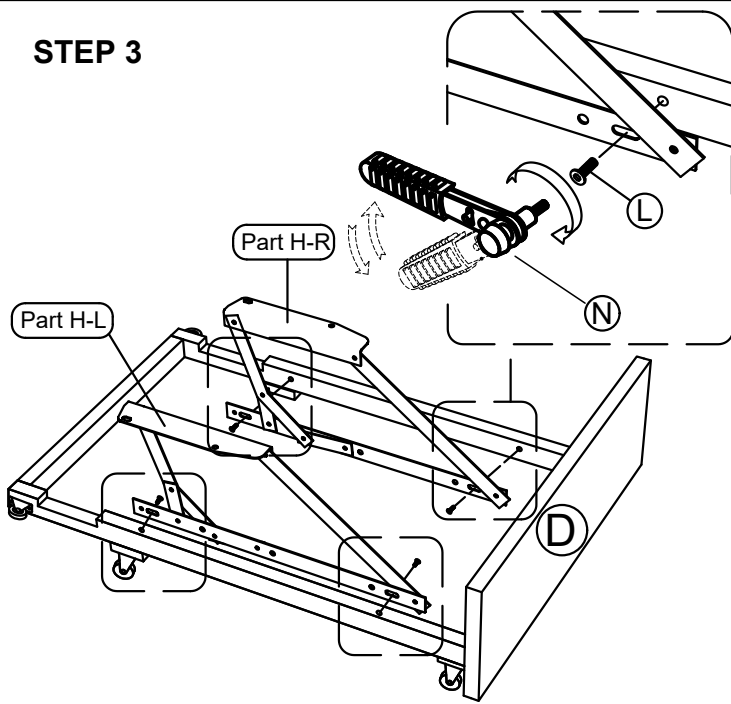
STEP 1



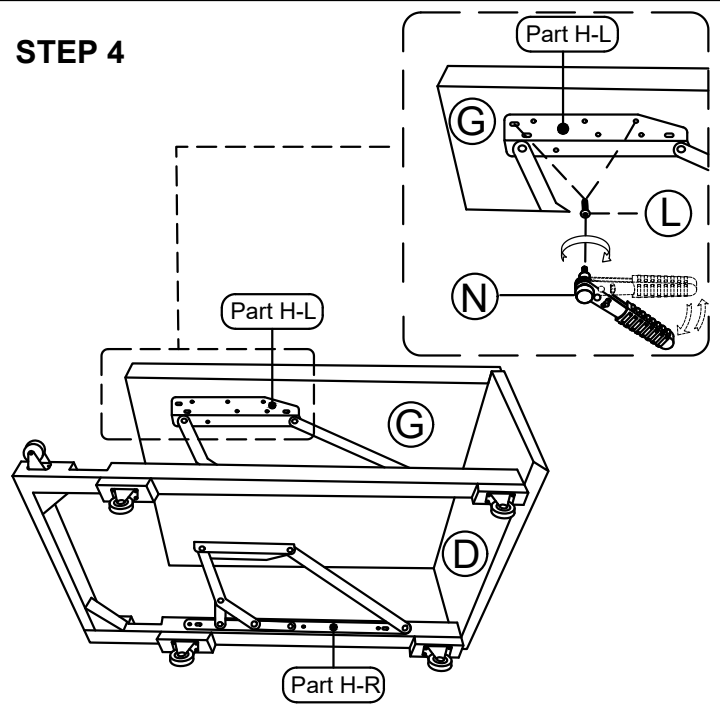
STEP 2



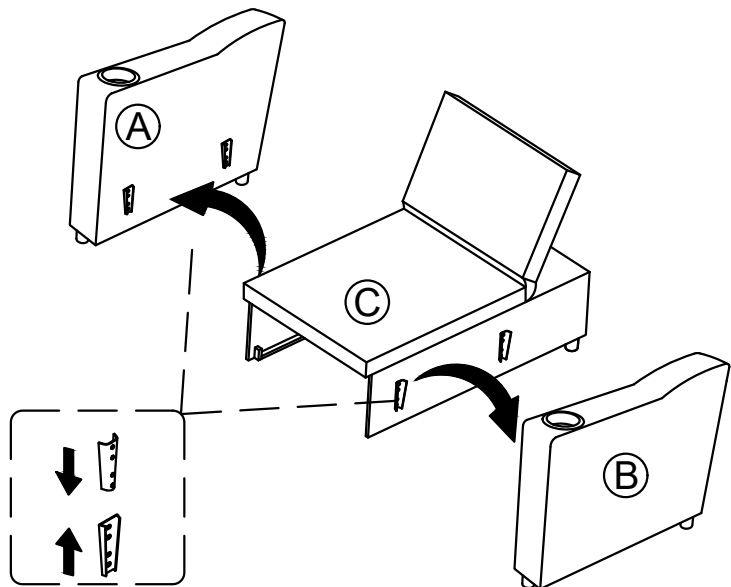
STEP 3



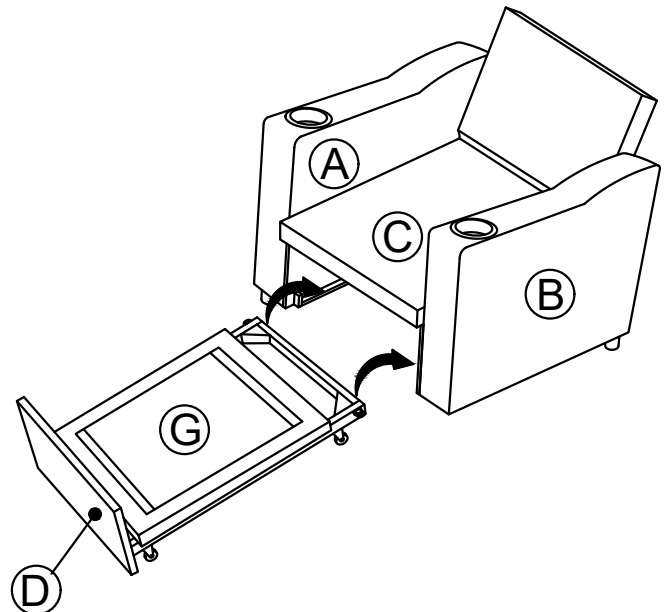
STEP 4



STEP 5



STEP 6



COMPLETED

