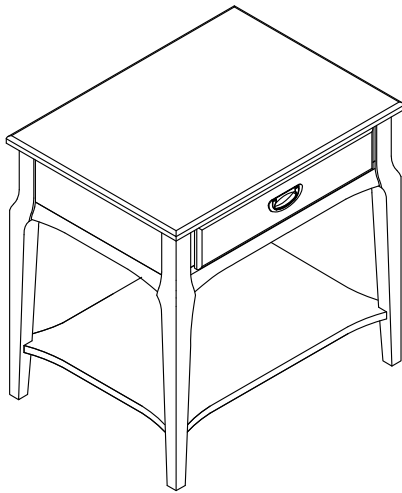


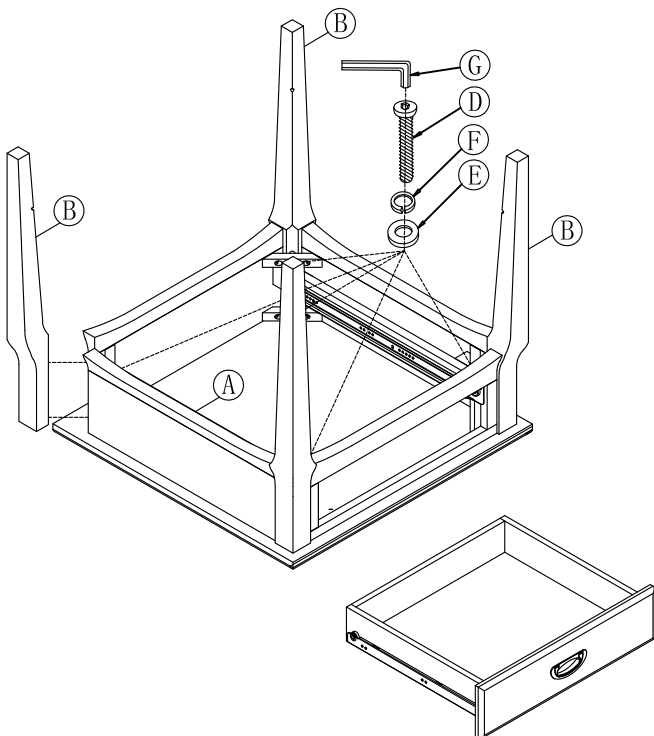
Assembly Instructions, Side Table



A: Top Assembly	
B: (4) Legs	
C: Shelf	
D: (8) Bolts	
E: (8) Flat Washers	
F: (8) Lock Washers	
G: Allen Wrench	
H: (4) Shelf Supports	

Step 1

Take the drawer out before placing top assembly upside down on a soft surface. Fasten four legs with 8 (bolts, flat washers and lock washers) using the Allen wrench. Tighten.



Step 2

Put the shelf upside down on legs until below the leg shelf holes. Insert the shelf support into the holes. Place the table right side up and put the drawer back into the table.

