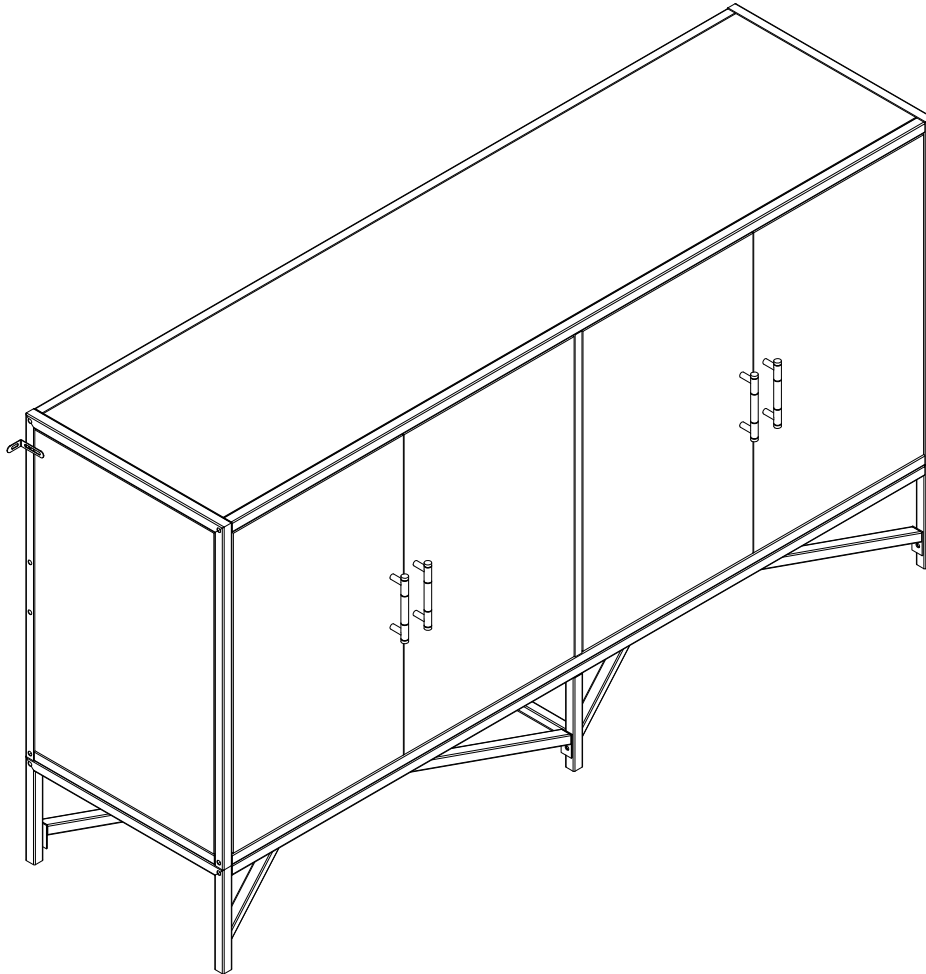


# N711P170791 Cabinet

Assembly Instructions - Please keep for future reference



## Dimensions

Width-62.2inch

Depth-17.32inch

Height-33.86inch

Important – Please read these instructions fully before starting assembly



# Safety and Care Advice

**Important – Please read these instructions fully before starting assembly**

- Check you have all the components and tools listed on the following pages.
- Remove all fittings from the plastic bags and separate them into their groups.
- Keep children and animals away from the work area, small parts could choke if swallowed.
- Make sure you have enough space to layout the parts before starting.

- During assembly do not stand or put weight on the product, this could cause damage.
- Assemble the item as close to its final position (in the same room) as possible.
- Assemble on a soft level surface to avoid damaging the unit or your floor.
- Parts of the assembly will be easier with 2 people.



power drill is set on a low torque setting.

- To reduce the likelihood of damaging your product please ensure that your

## Care and maintenance

• Only clean using a damp cloth and mild detergent, do not use bleach or abrasive cleaners.

• From time to time check that there are no loose screws on this unit.

• This product should not be discarded with household waste. Take to your local authority waste disposal centre.

## Handy Hints

• Assemble all parts and bolts loosely during assembly, only once the product is complete should you fully tighten the bolts

• Regularly check and ensure That all bolts and fittings are tightend properly.

## **WARNING** In order to help prevent overturning – please follow these instructions

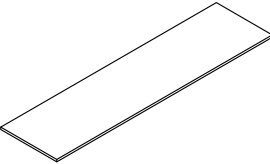
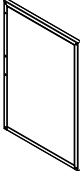

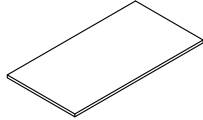
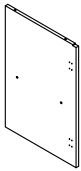
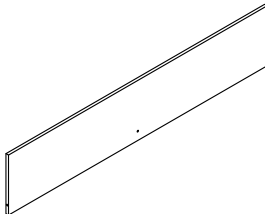
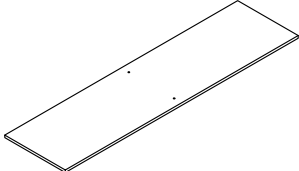

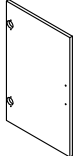
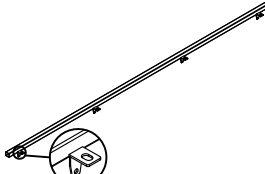
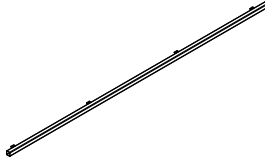
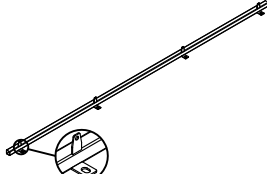
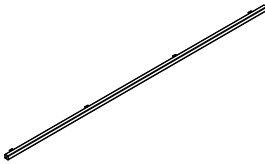
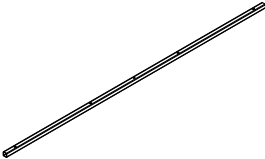
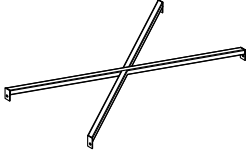
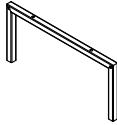
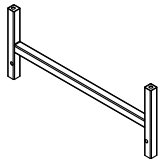

To help prevent product toppling over please follow the below steps:-




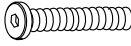
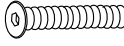



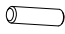


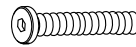
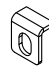
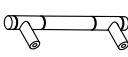
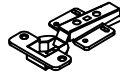

- Use the anti tip stap or wall fixing method provided (if applicable)
- Do not allow children to climb or hang on the furniture
- Do not open more than one drawer at a time
- Do not place heavy items in the top drawers
- Do not place heavy items on top of the furniture, unless the furniture has been designed for this purpose

# Components - Fittings

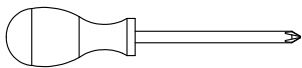
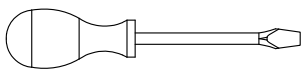
Please check you have all the panels listed below

Note: The quantities below are the correct amount to complete the assembly. In some cases more fittings may be supplied than are required.

			
① x1PC	② x1PC	③ x1PC	④ x2PCS
			
⑤ x1PC	⑥ x2PCS	⑦ x1PC	⑧ x1PC
			
⑨ x3PCS	⑩ x1PC	⑪ x1PC	⑫ x1PC
			
⑬ x1PC	⑭ x2PCS	⑮ x2PCS	⑯ x2PCS
			
⑰ x1PC	⑱ x2PCS		

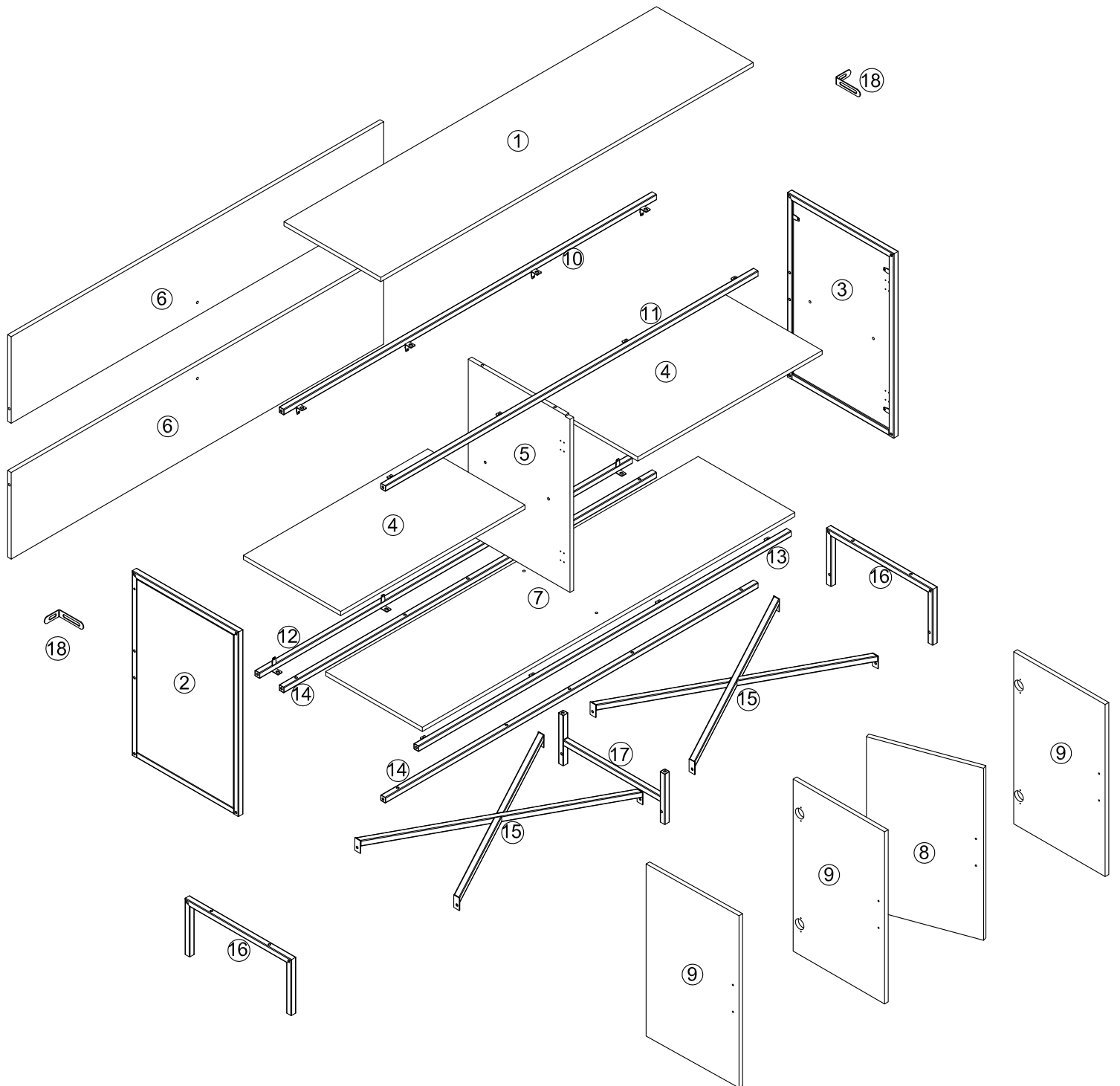
 M6X10mm	 M6X12mm	 M6X30mm	 golden M6X40mm
A x8PCS	B x24PCS	C x12PCS	D x4PCS
 M6X40mm	 M7X40mm	 M4X12mm	 M4X18mm
E x2PCS	F x8PCS	G x58PCS	H x8PCS
 Ø7.8X30mm	 M4X30mm	 K x2PCS	 black M6X40mm
I x2PCS	J x2PCS	K x2PCS	L x8PCS
			 M4mm
M x8PCS	N x4PCS	O x8PCS	P x1PC

## Tools required



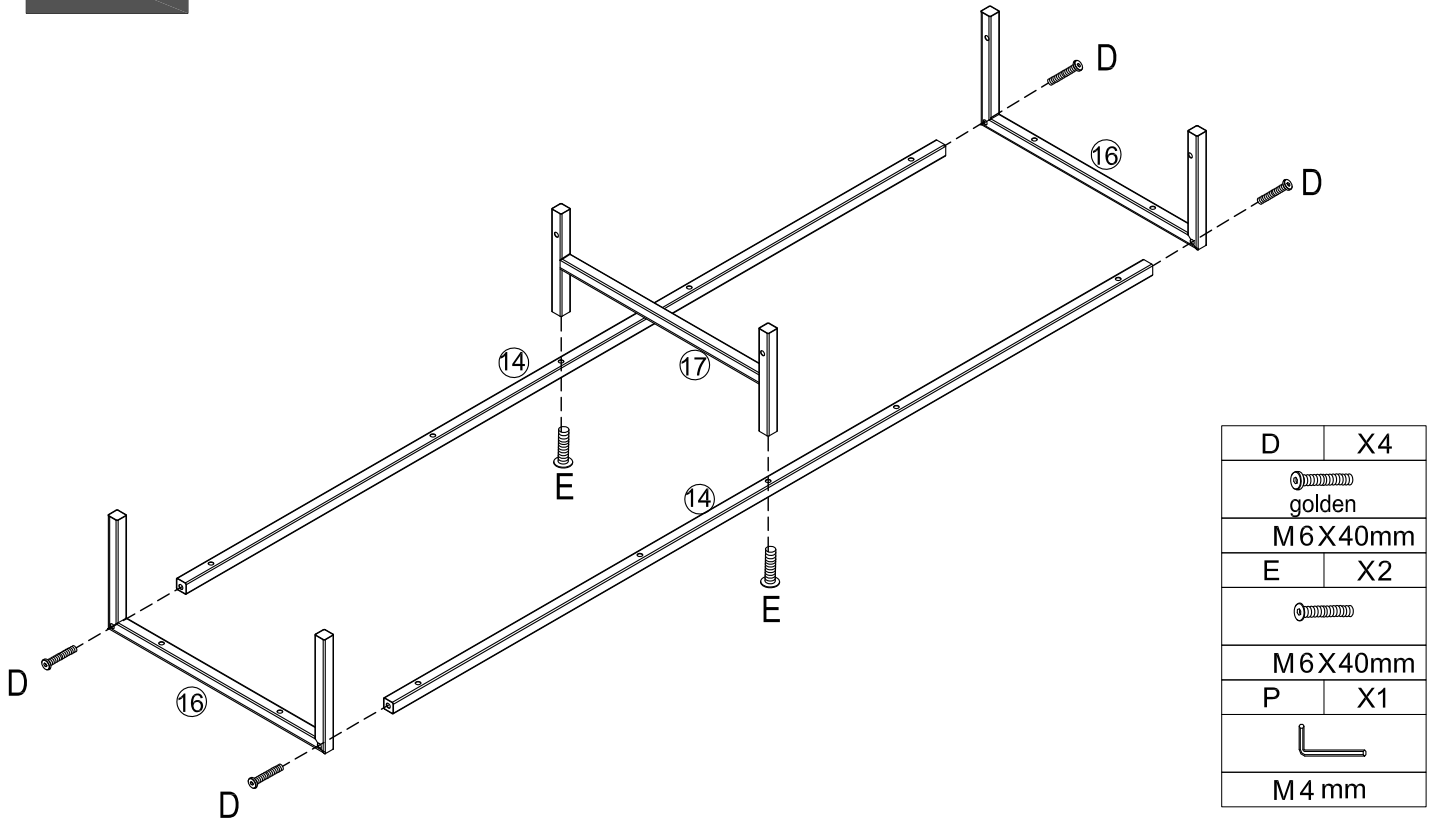
**Phillips screwdriver  
(medium & large)**

# Assembly Instructions

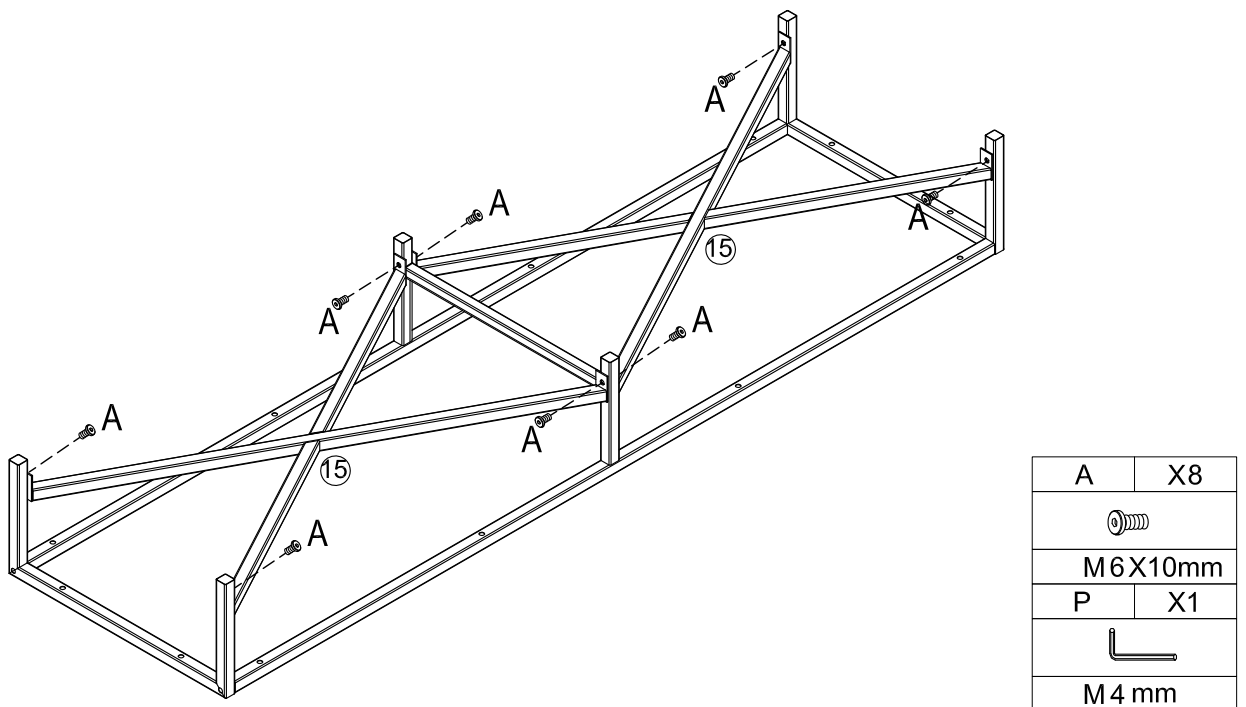


# Assembly Instructions

## Step 1

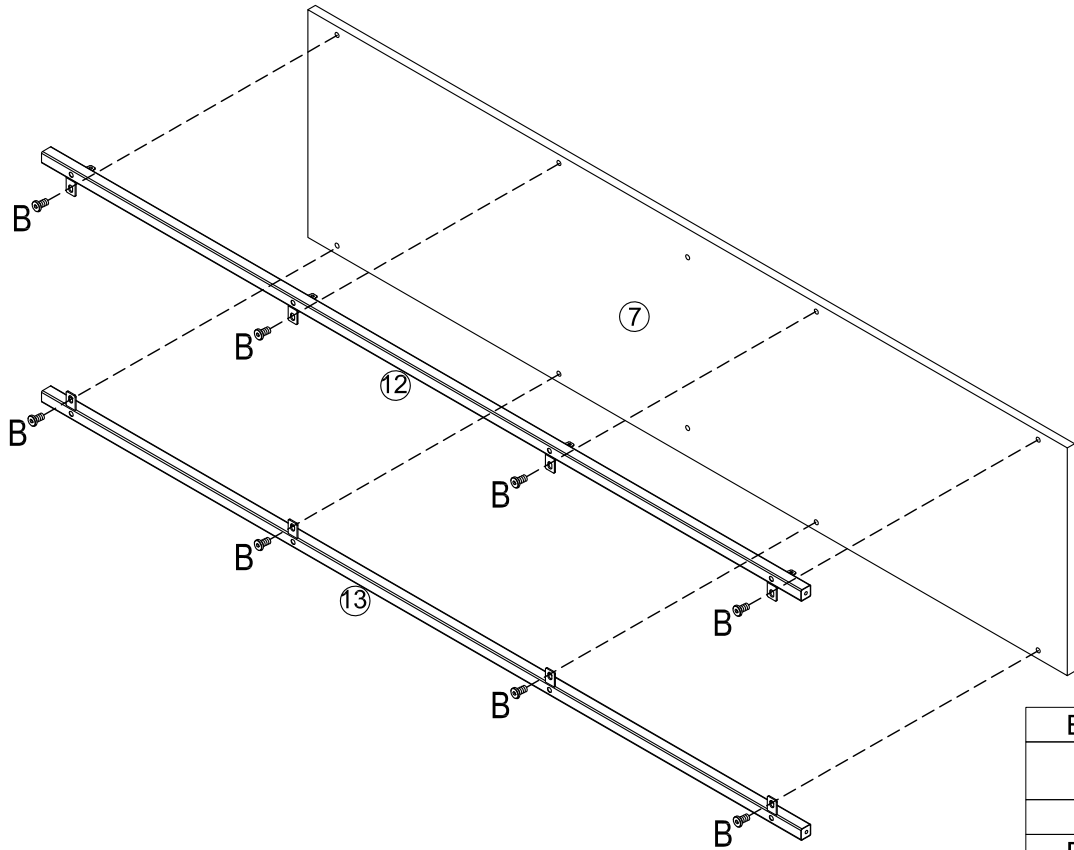



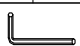
## Step 2



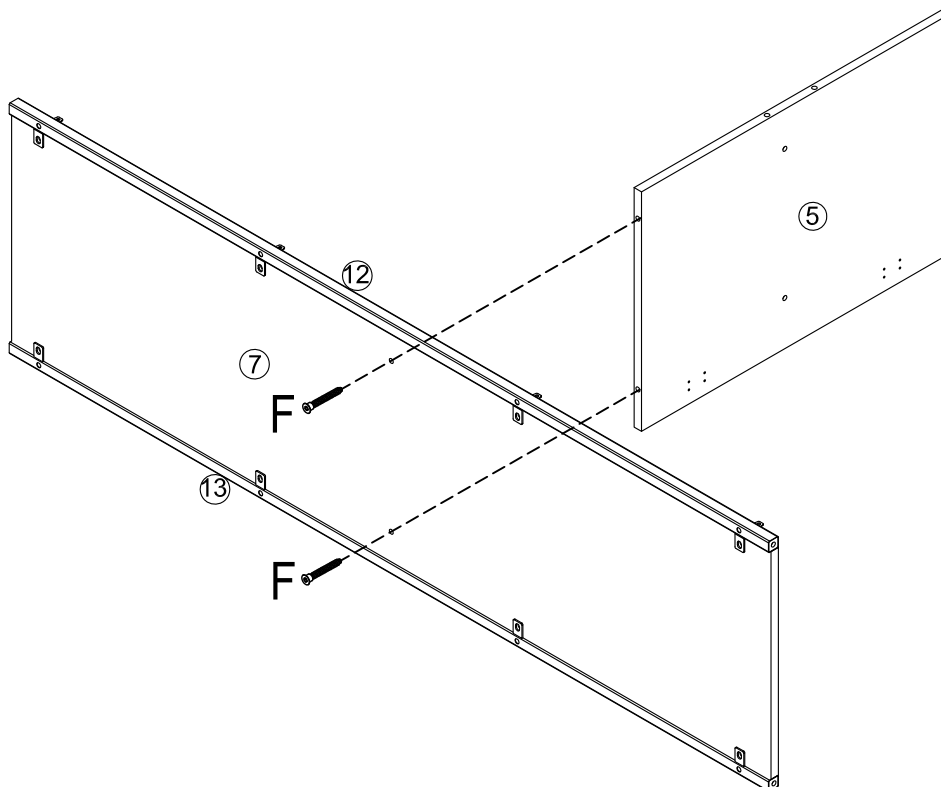
# Assembly Instructions



## Step 3



B	X8
	
M6 X12mm	
P	X1
	
M4 mm	

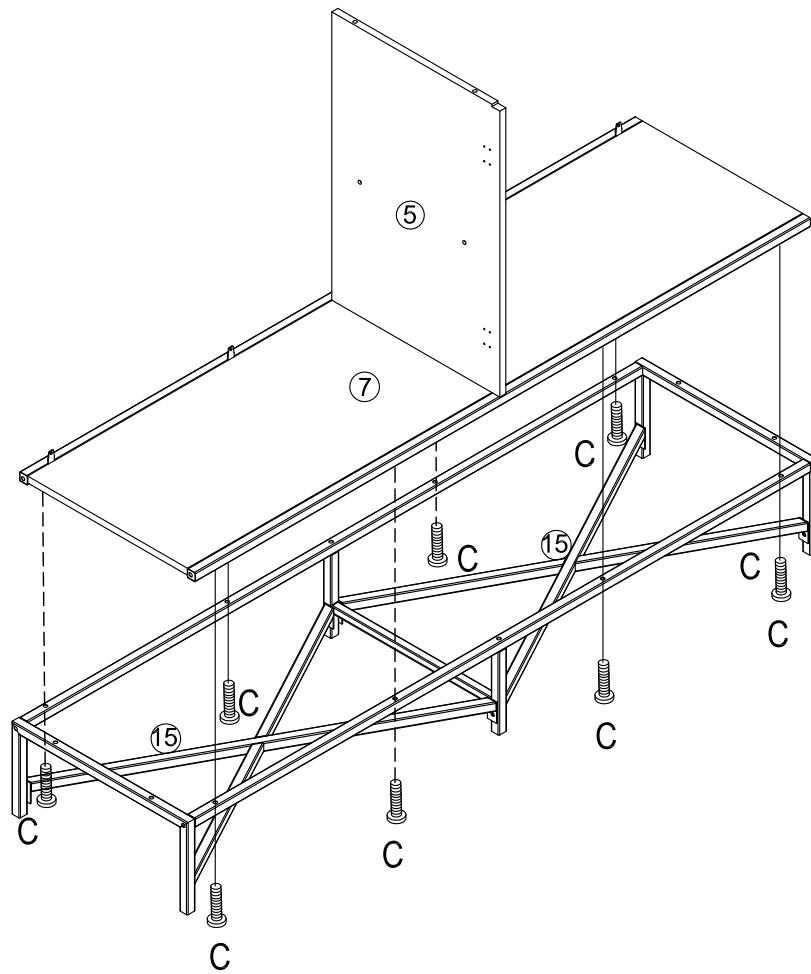
## Step 4





F	X2
	
M7 X40mm	
P	X1
	
M4 mm	

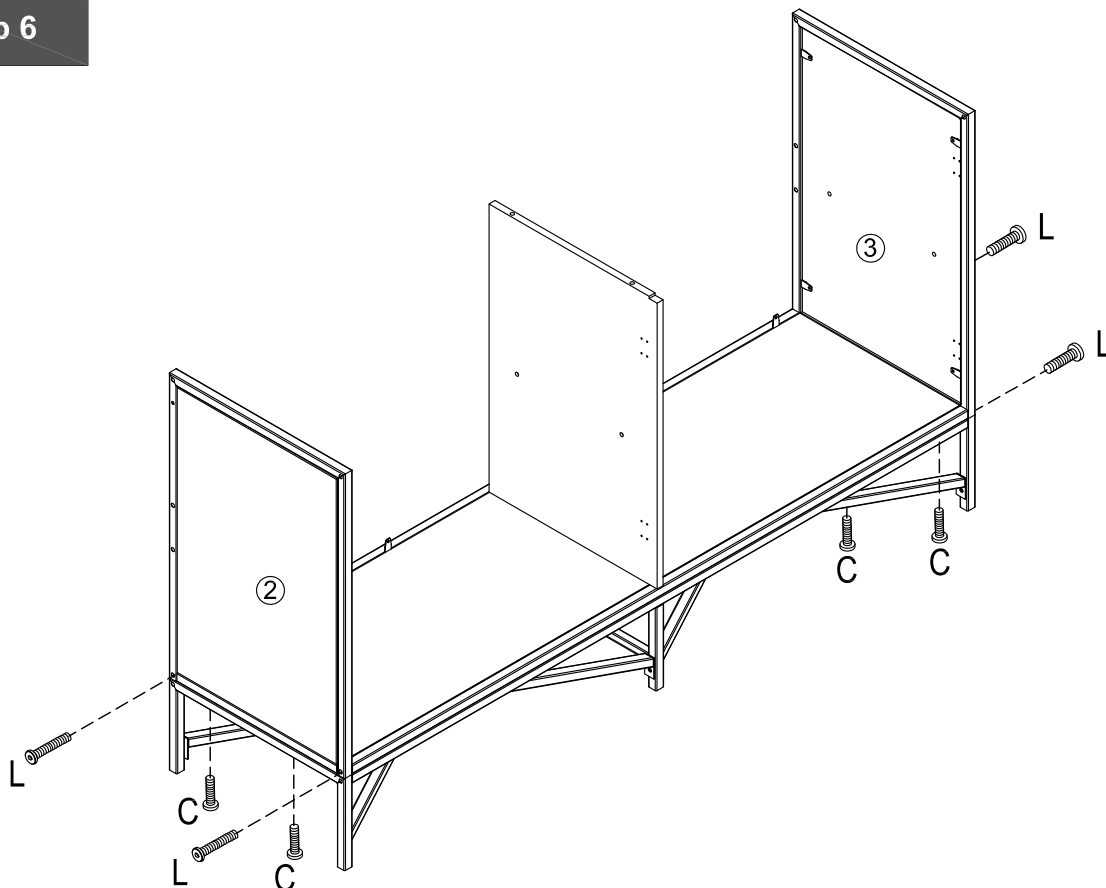
# Assembly Instructions




## Step 5



C	X8
	
M6X30mm	
P	X1
	
M4 mm	

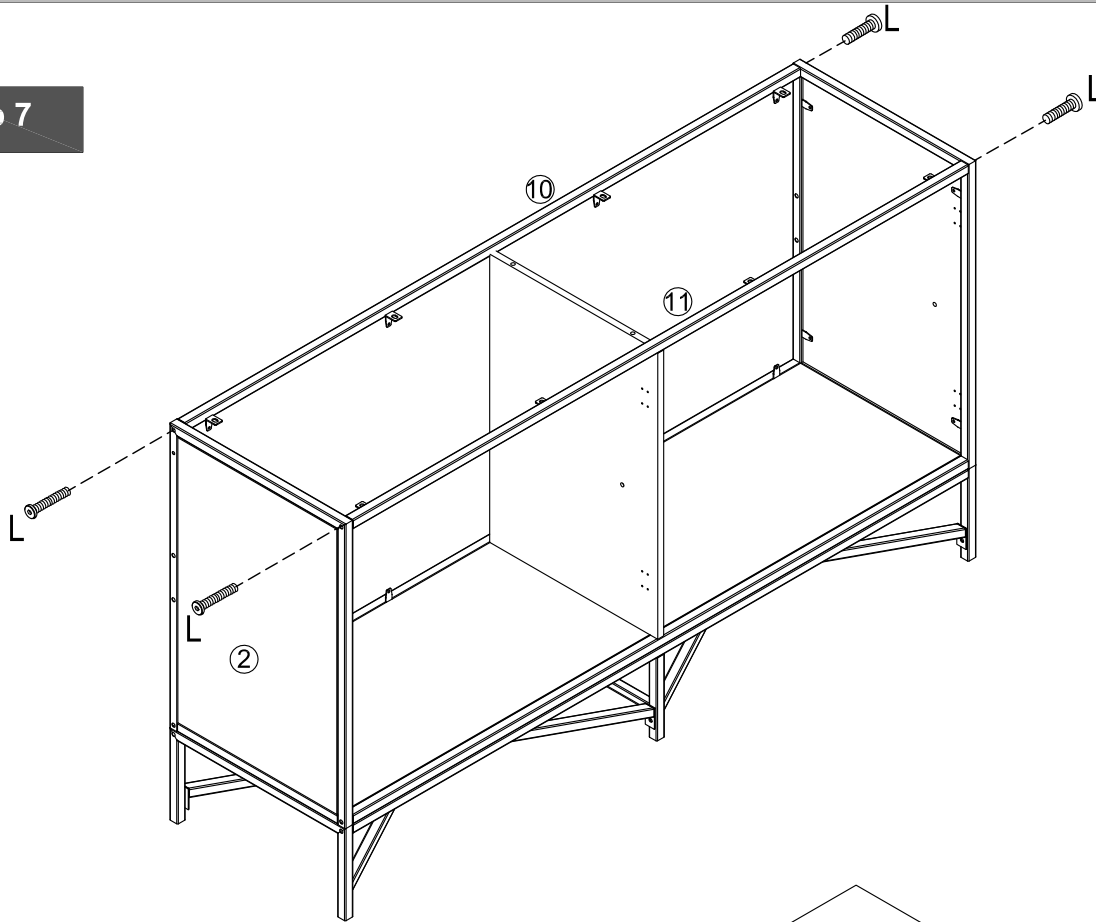
## Step 6

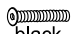



C	X4
	
M6X30mm	
L	X4
 black	
M6X40mm	
P	X1
	
M4 mm	

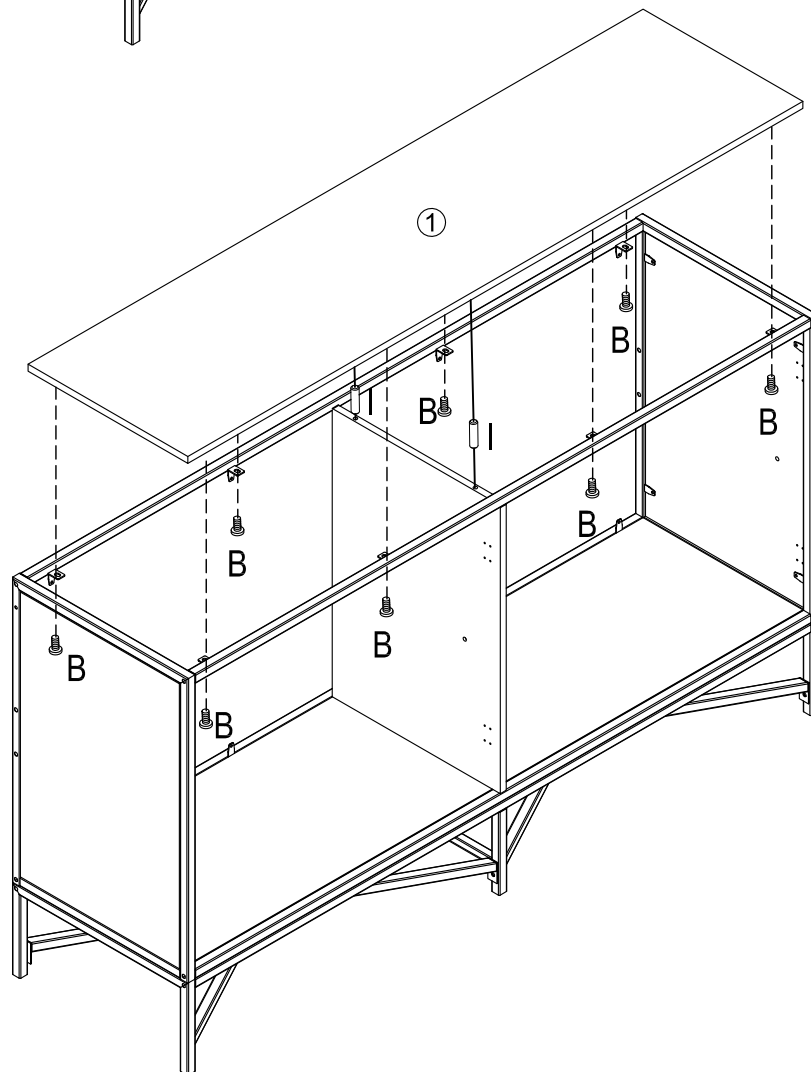
# Assembly Instructions

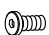
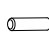

## Step 7



L	X4
 black M6 X40mm	
P	X1
 M4 mm	

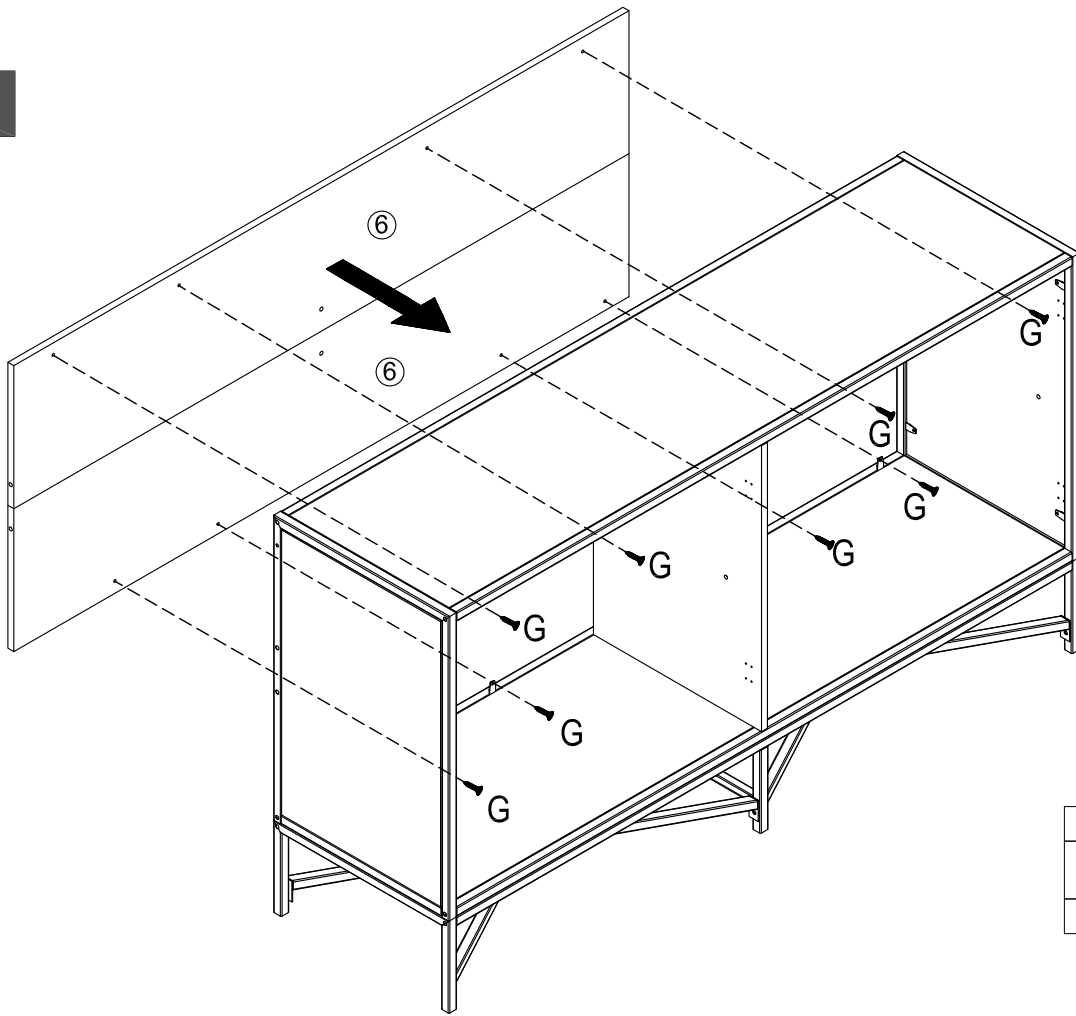
## Step 8




B	X8
 M6 X12mm	
I	X2
 Ø7.8 X30mm	
P	X1
 M4 mm	

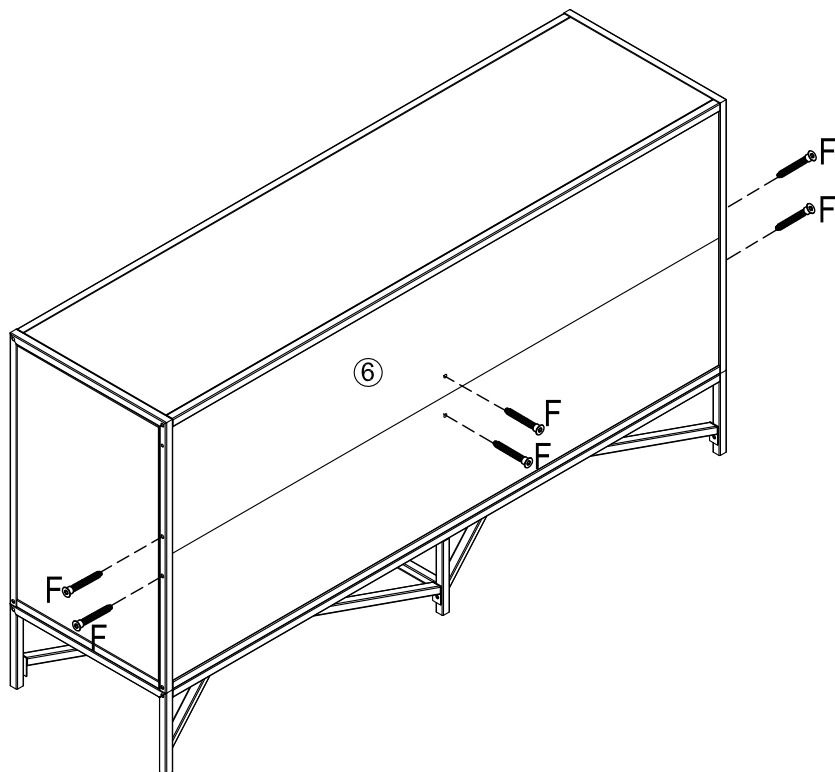
# Assembly Instructions



## Step 9



G	X8
	
M4X12mm	

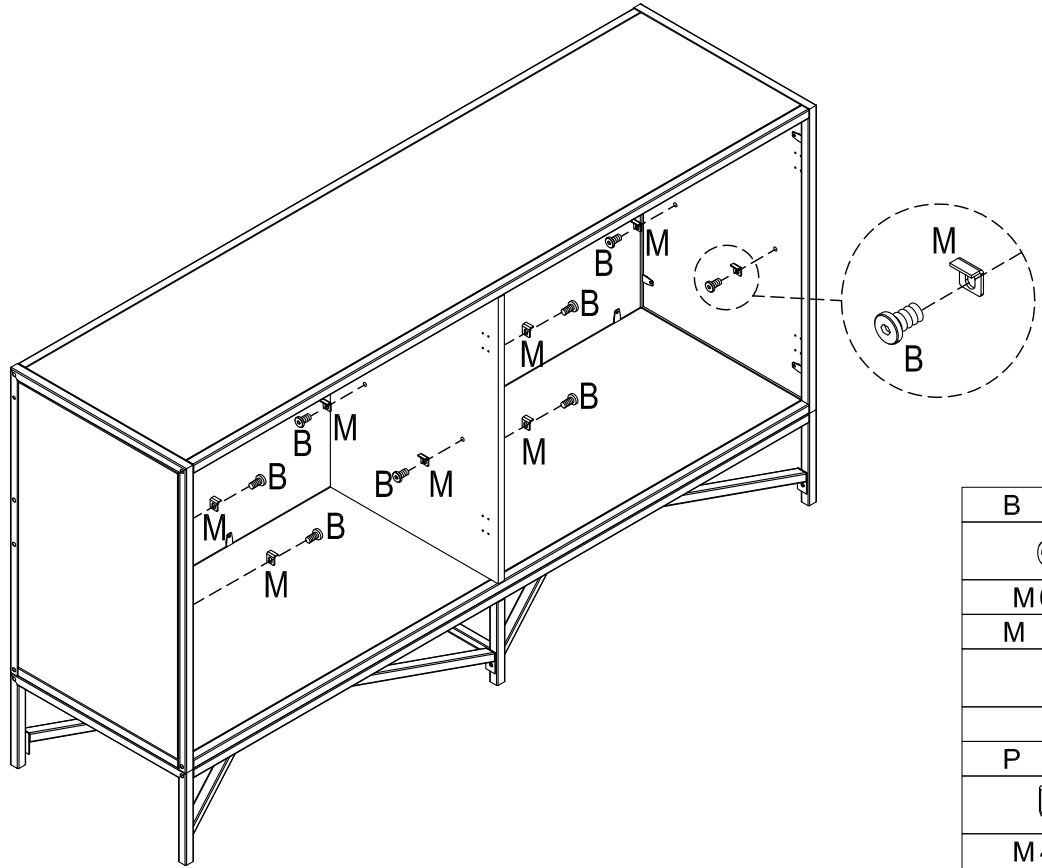
## Step 10



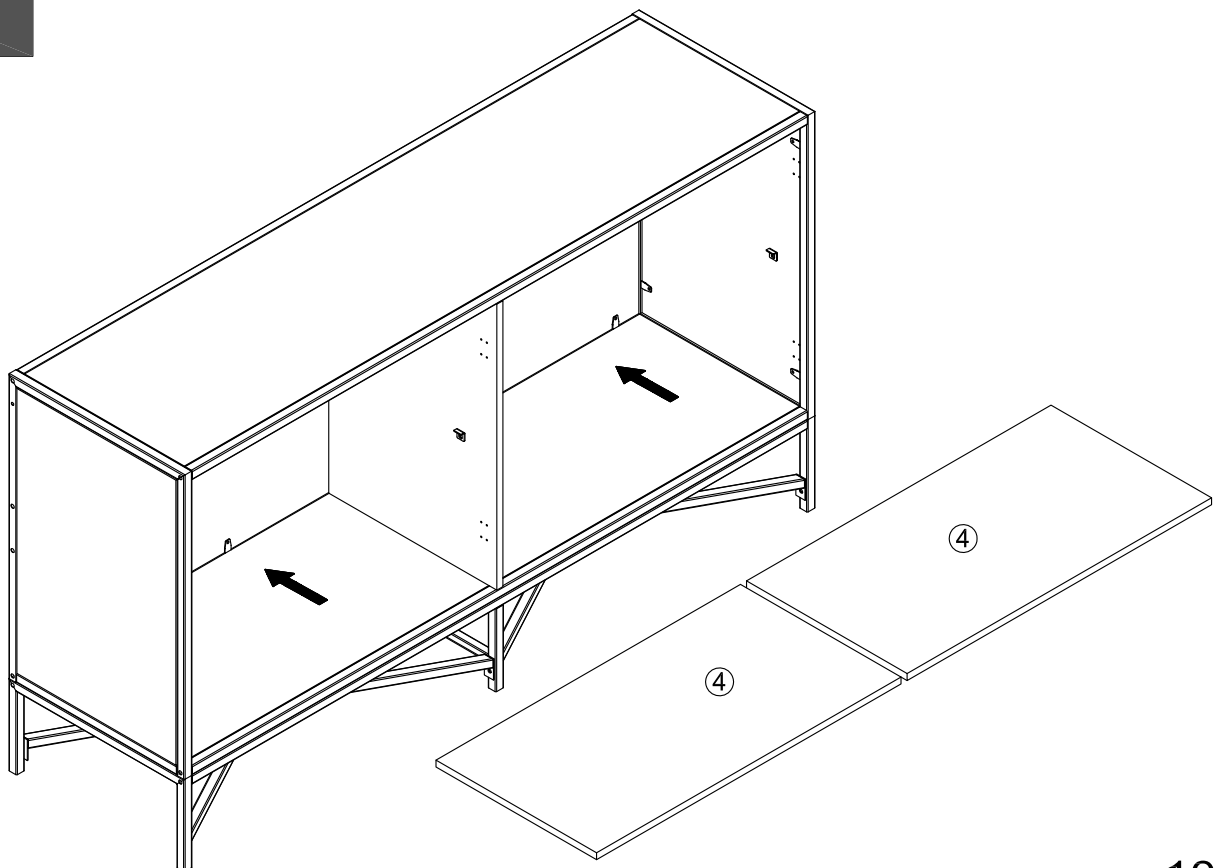
F	X6
	
M7X40mm	
P	X1
	
M4 mm	

# Assembly Instructions

## Step 11

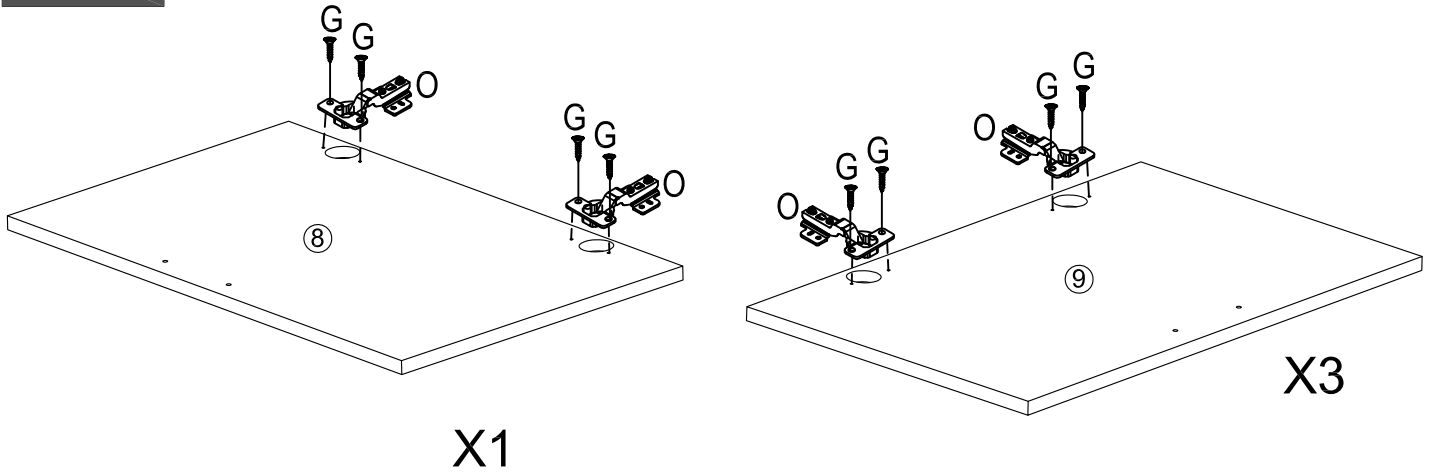




## Step 12



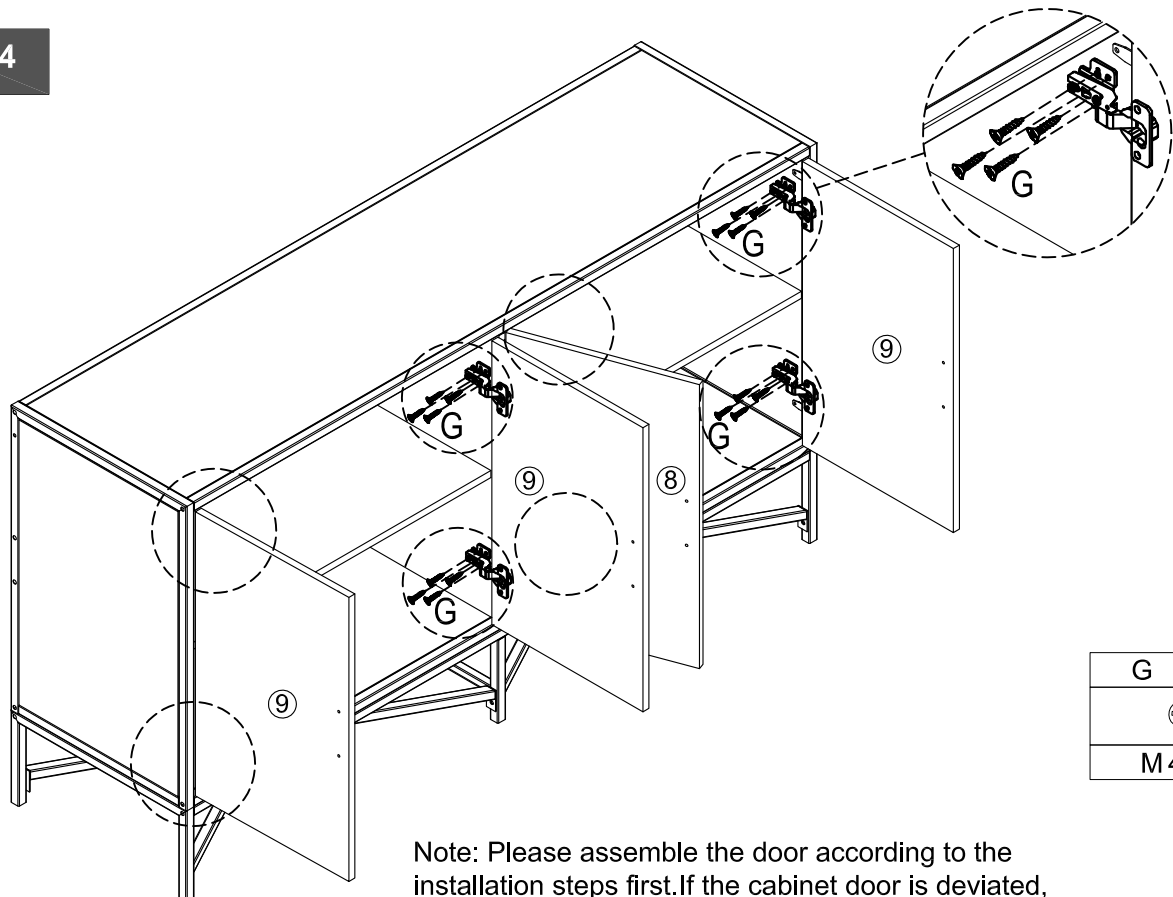
# Assembly Instructions


## Step 13



G	X16
	
M4X12mm	
O	X8
	

## Step 14

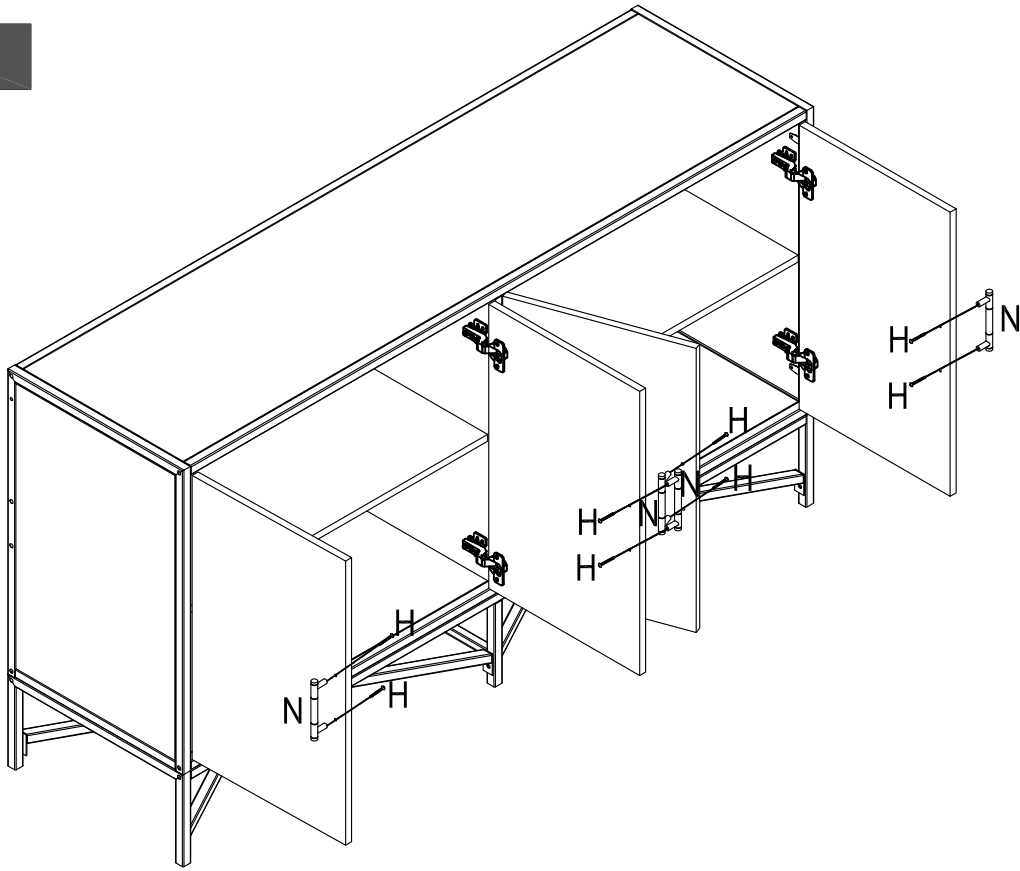



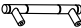
G	X32
	
M4X12mm	

Note: Please assemble the door according to the installation steps first. If the cabinet door is deviated, the internal hinge needs to be slowly adjusted to solve the problem.

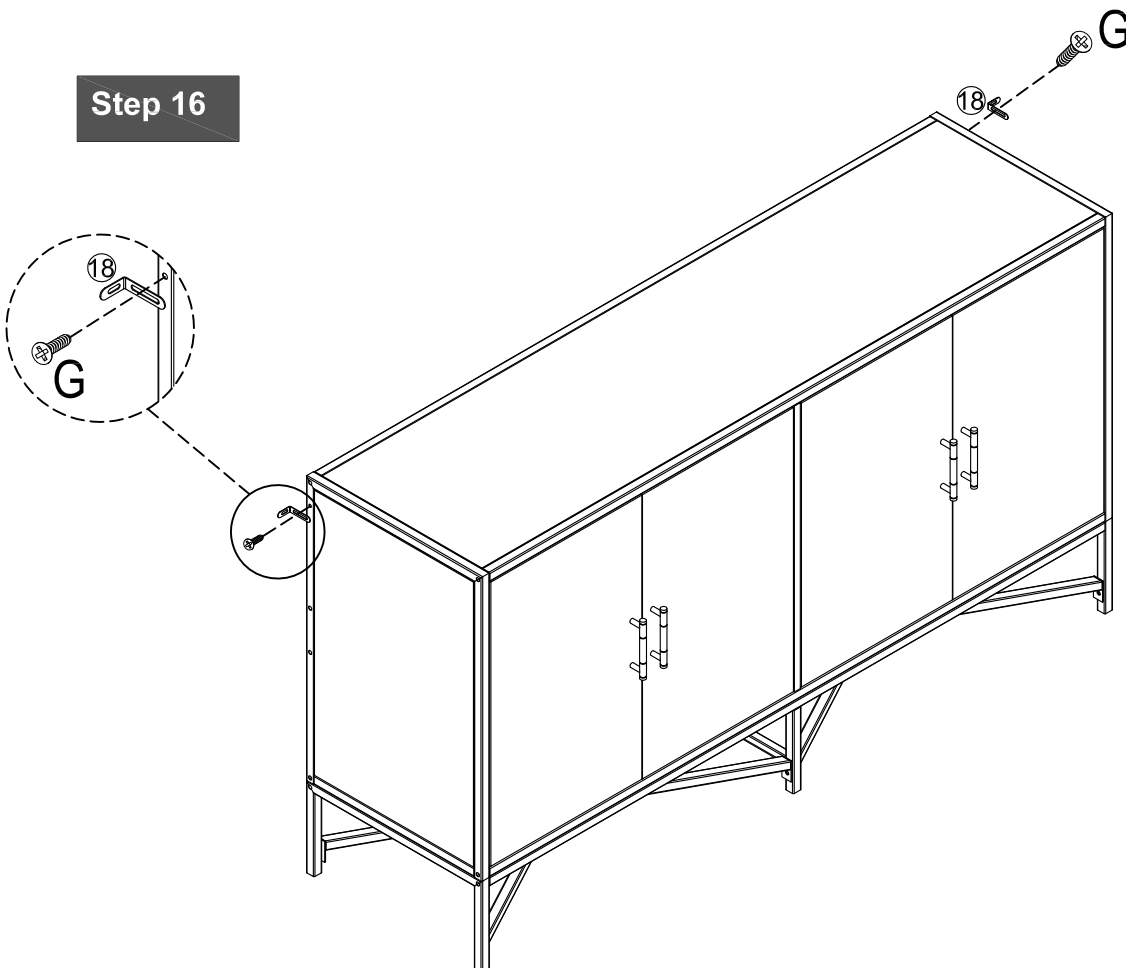
# Assembly Instructions


## Step 15



H	X8
	
M4X18mm	
N	X4
	

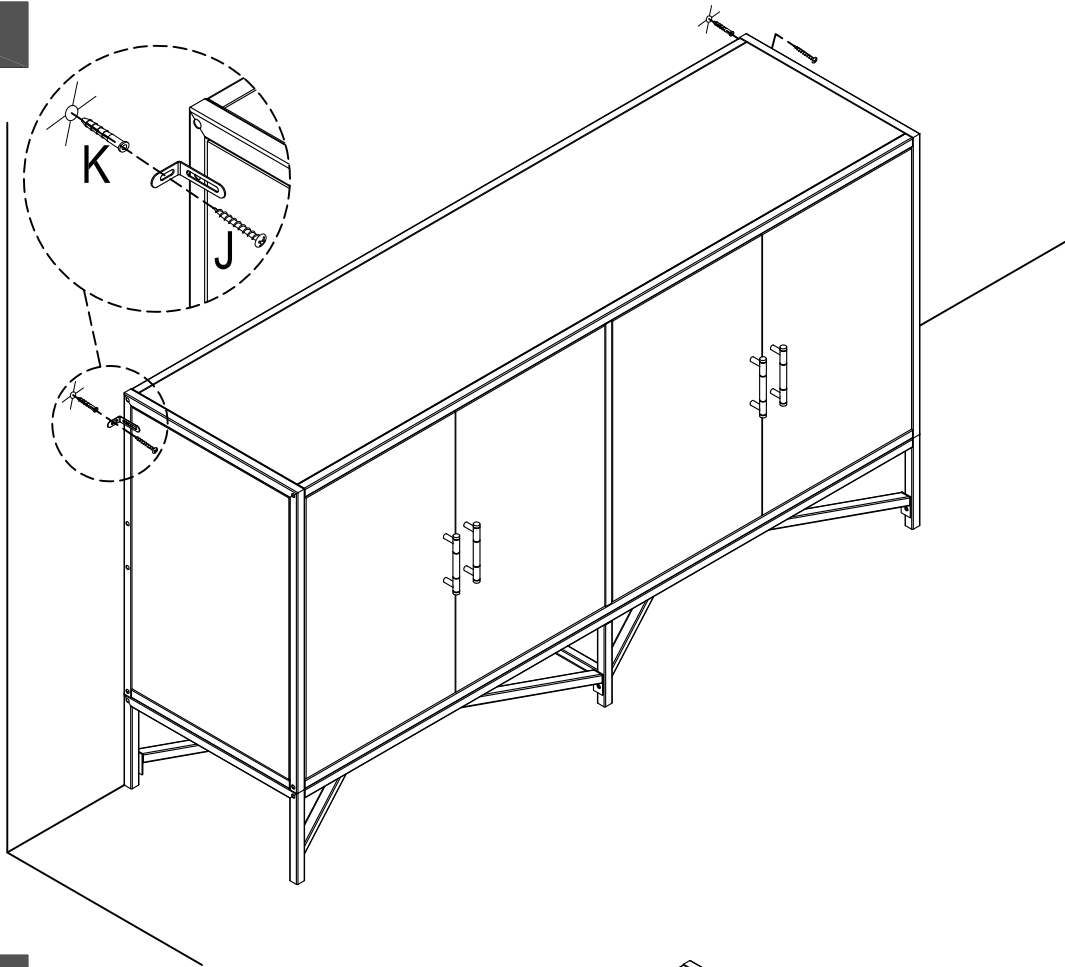
## Step 16


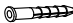


G	X2
	
M4X12mm	

# Assembly Instructions

## Step 17



J	X2
	
M4X30mm	
K	X2
	

## Step 18

