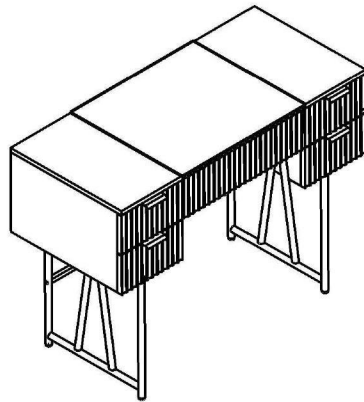


Installation & Assembly

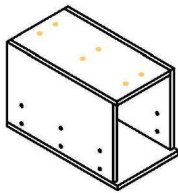
NO.	Name	Amount
①	left-hand cabinet	1
②	right-hand cabinet	1
③	middle cabinet	1
④	hardware foot	2



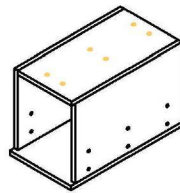
NO.	Icon	Quantity
A		Φ6x30=2
B		Φ6x20=12
C		Φ8x20=12
D		Hold hands=4
E		Φ3.5x12=8
F		Wrench=1
G		Stickers=12

PRODUCT PARTS ILLUSTRATION/QUANTITY

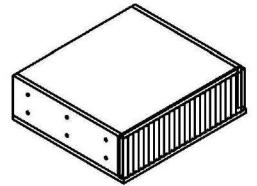
① Left-hand cabinet x1



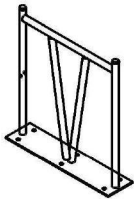
② Right-hand cabinet x1



③ Middle cabinet x1



④ Hardware foot x2

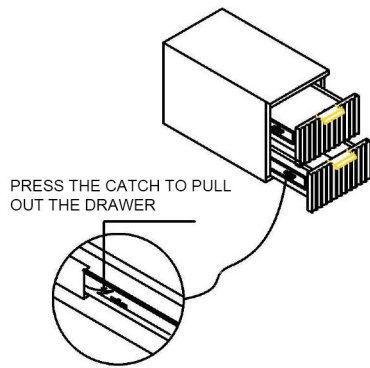


⑤ Hardware foot puller x1

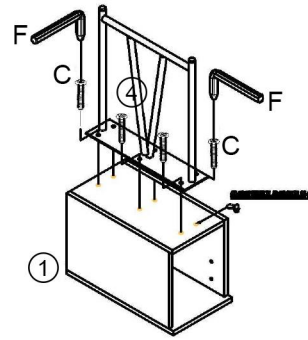


ASSEMBLY INSTRUCTION

STEP 1: PULL OUT THE DRAWER

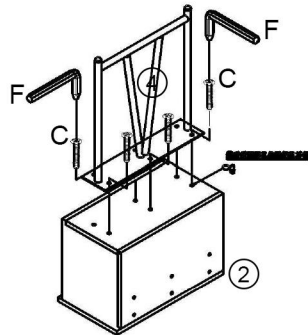


STEP 2: ASSEMBLED RIGHT CABINET HARDWARE LEGS



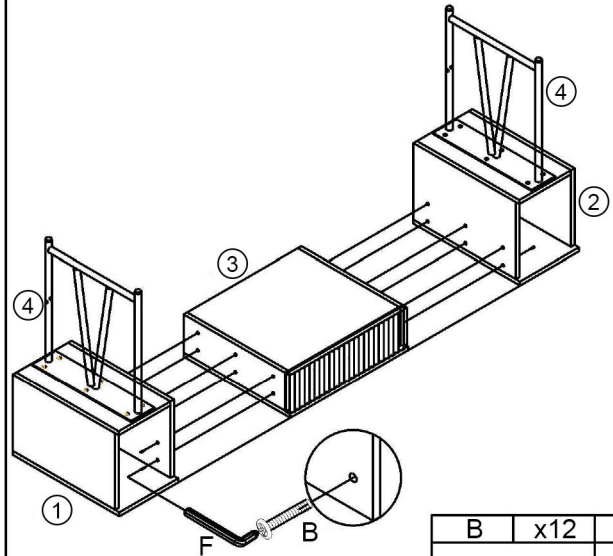
C	x6	F	x1	G	x6

STEP 3: ASSEMBLING THE LEFT CABINET HARDWARE FEET



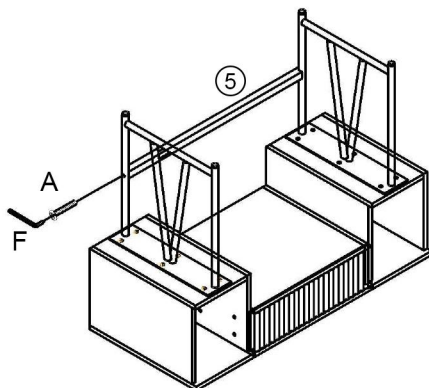
C	x6	F	x1	G	x6

STEP 4: ASSEMBLING THE CENTER CABINET



B	x12	F	x1

STEP 5: INSTALLATION OF THE CABINET



A	x2	F	x1

STEP 6: DRAWER PLACEMENT

