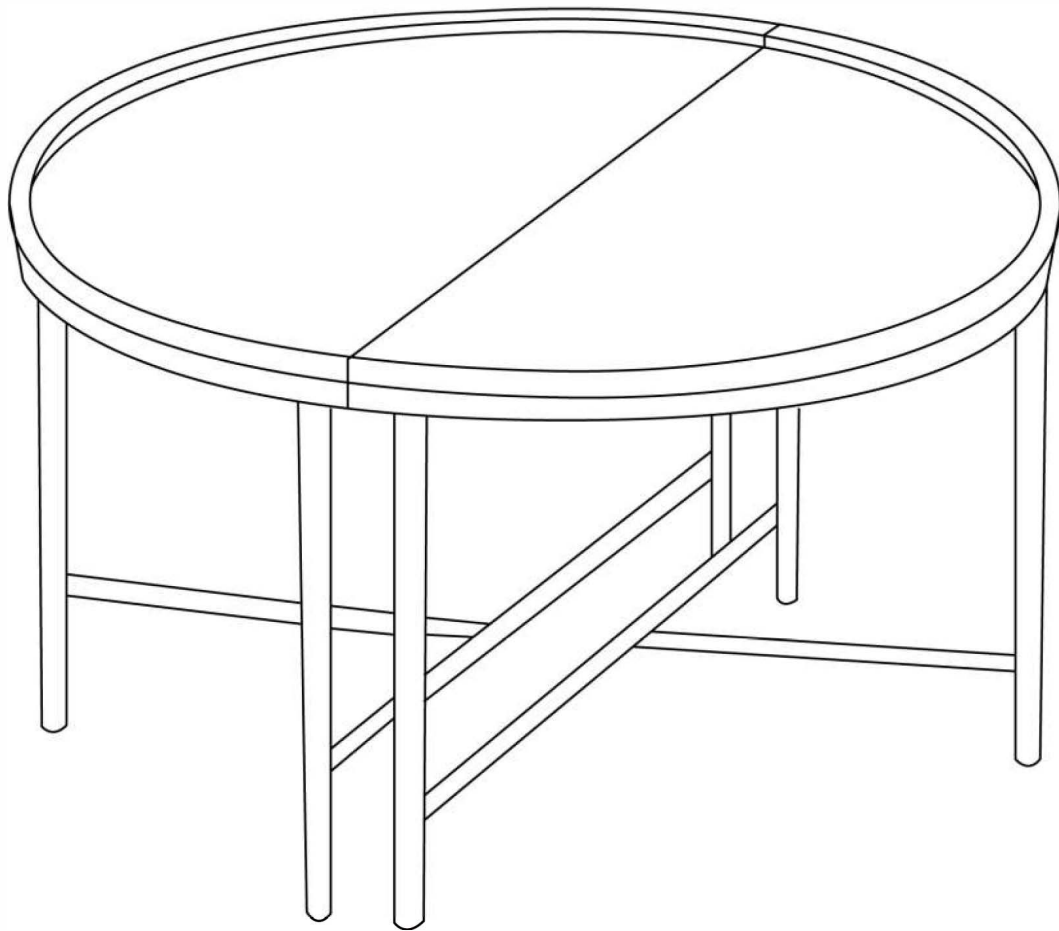
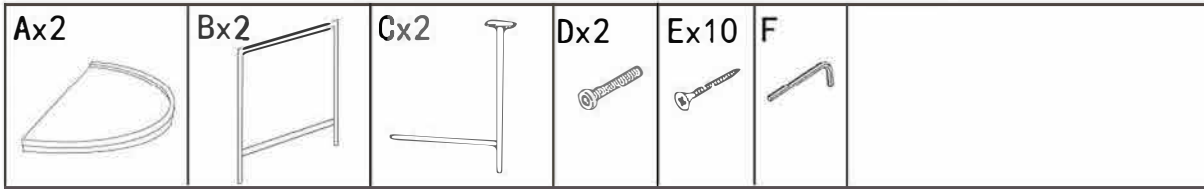
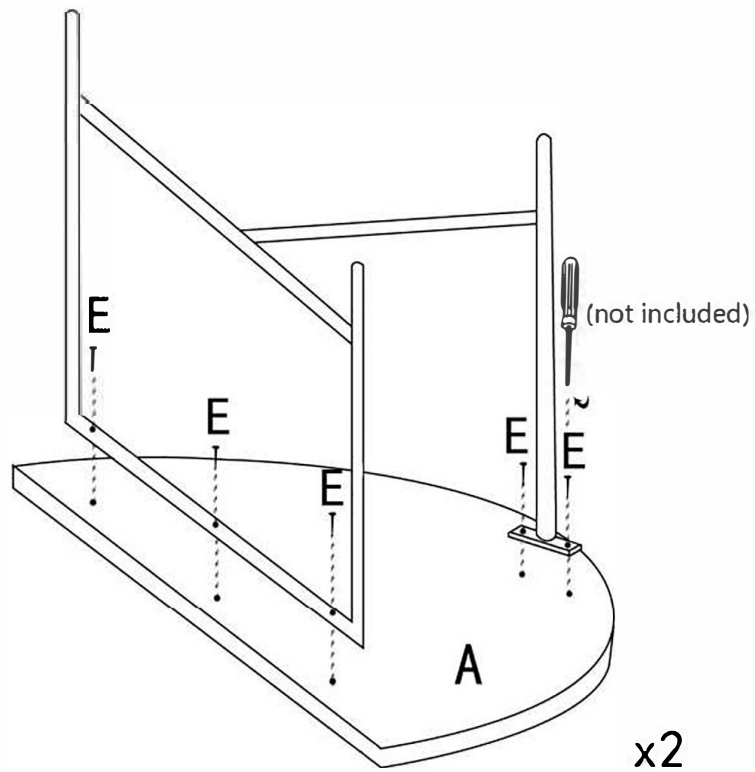
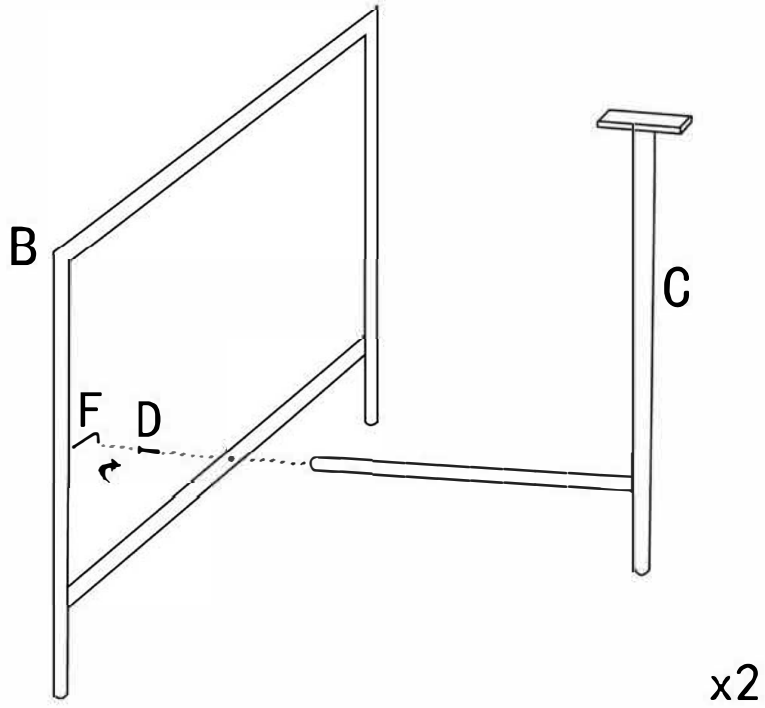


ASSEMBLY INSTRUCTION



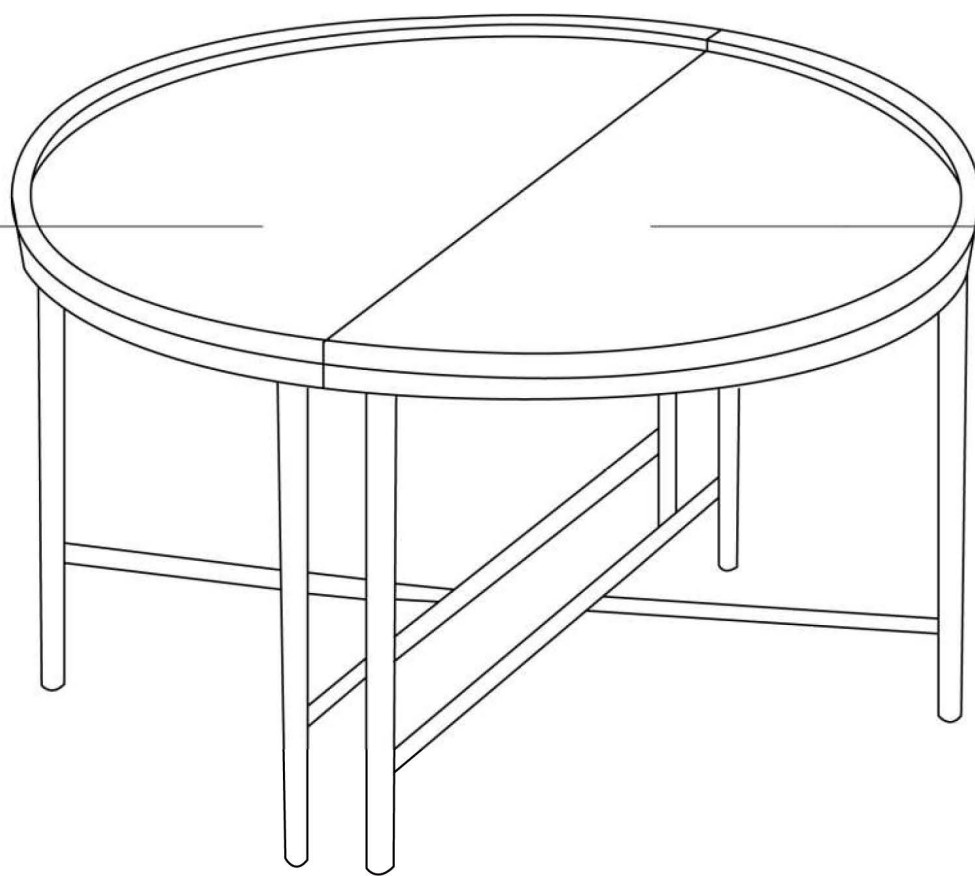
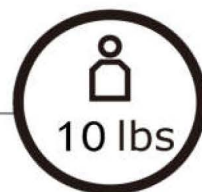
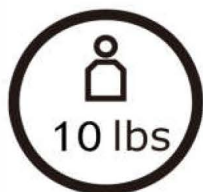


PACKAGE CONTENTS



THIS IS A 2 PC. SET. Use together as a coffee table*, or separately as end tables.

*PLEASE NOTE: When put together, the tables do not have any locking mechanism to attach them at the center. They remain as two separate tables.



CLEANING INSTRUCTION:

- Dust using a clean, soft, dry and lint-free cloth.
- Blot spills immediately and wipe with a clean, damp cloth.
- We do not recommend the use of chemical cleansers, abrasives or furniture polish.

FOR INDOOR USE.