

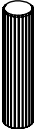




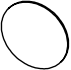



A - 12x

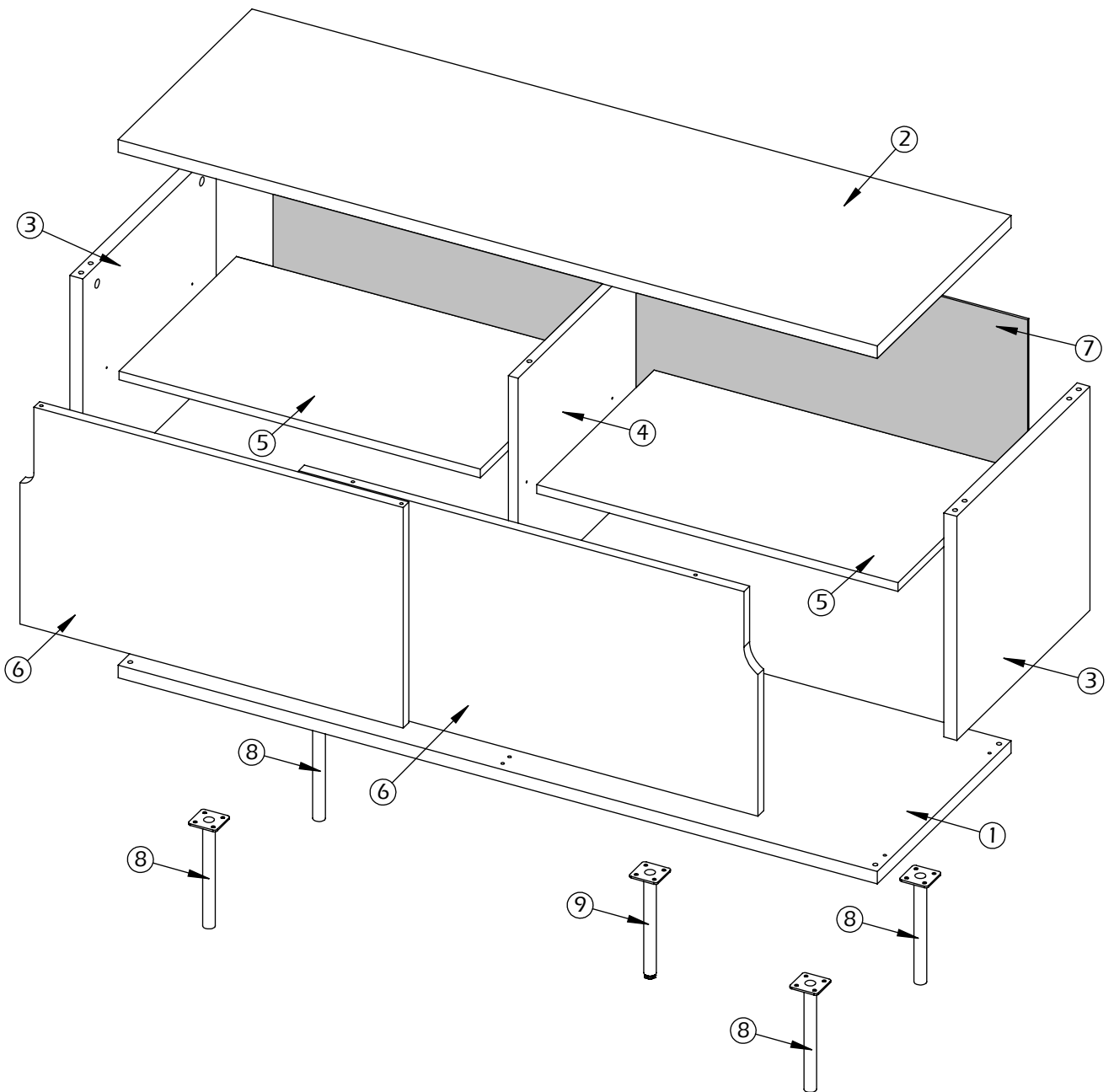
B - 6x



Ø7x41mm  
0512.041

Ø12x16mm  
0520.182

<p>C - 8x</p>  <p>Ø8x35mm 0540.003</p>	<p>D - 12x</p>  <p>Ø15x13mm 0512.042</p>	<p>E - 8x</p>  <p>Ø6,5x16mm 0900.174</p>	<p>F - 8x</p>  <p>Ø10x2mm 0520.102</p>	<p>G - 4x</p>  <p>16x16x3mm 0992.009</p>	<p>H - 12x</p>  <p>Ø20x0,5mm 0520.009</p>	<p>I - 12x</p>  <p>Ø4x29mm 0513.001</p>	<p>J - 20x</p>  <p>Ø4x16mm 0512.024</p>	<p>K - 1x</p>  <p>16x17X21mm 0520.031</p>
---	---	---	---	---	---	--	--	--

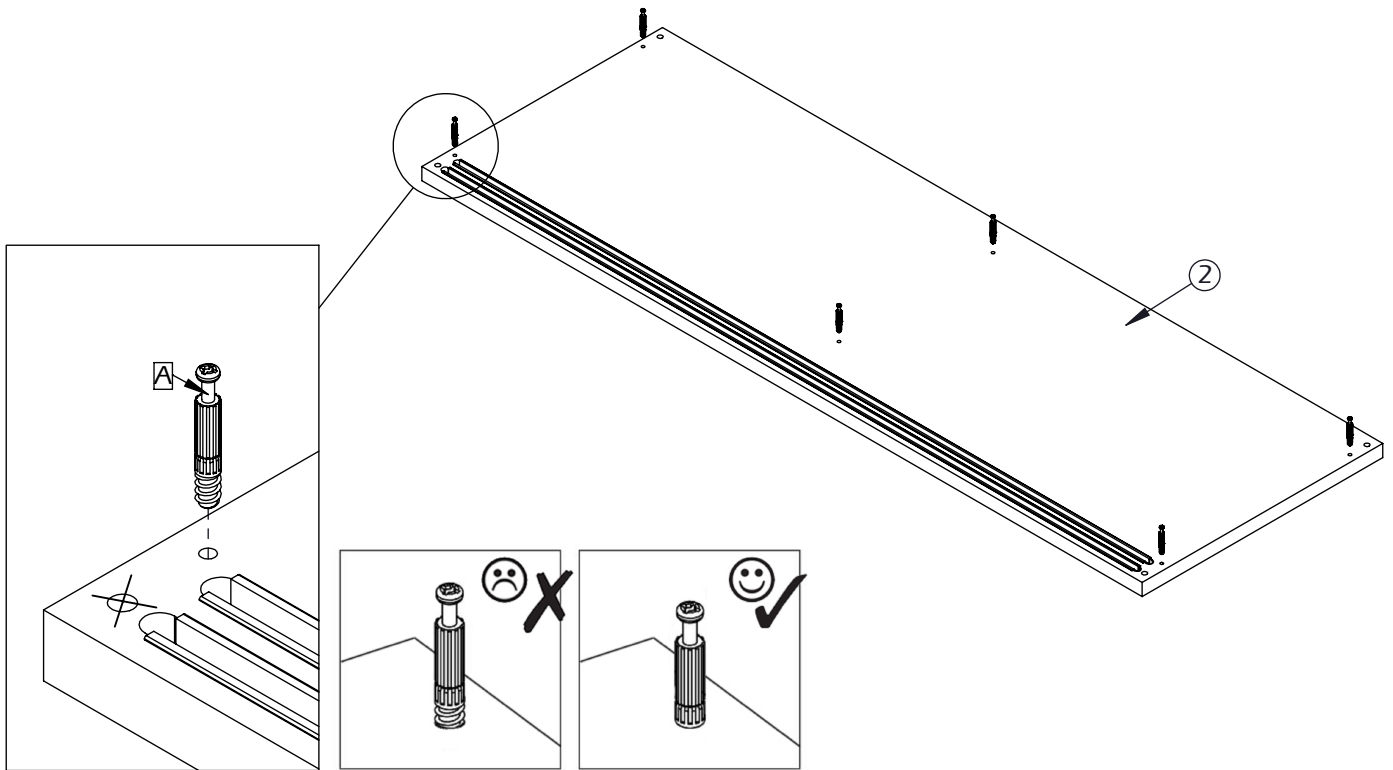
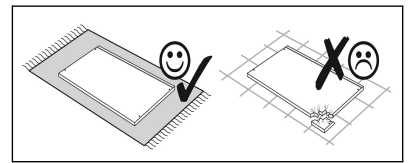


1

A- 6x



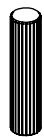
Ø7x41mm



2

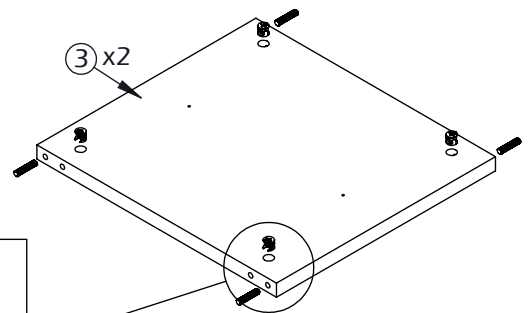
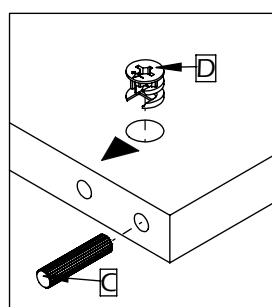
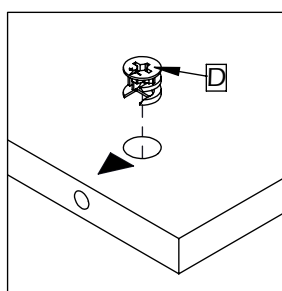
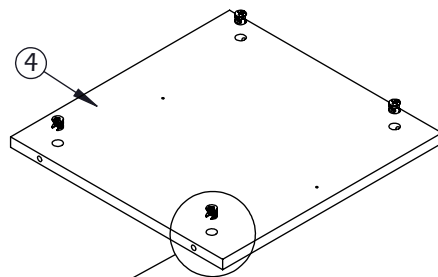
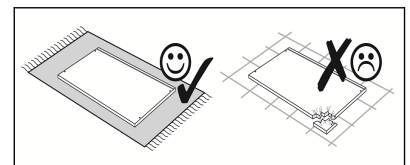
D- 12x

C- 8x

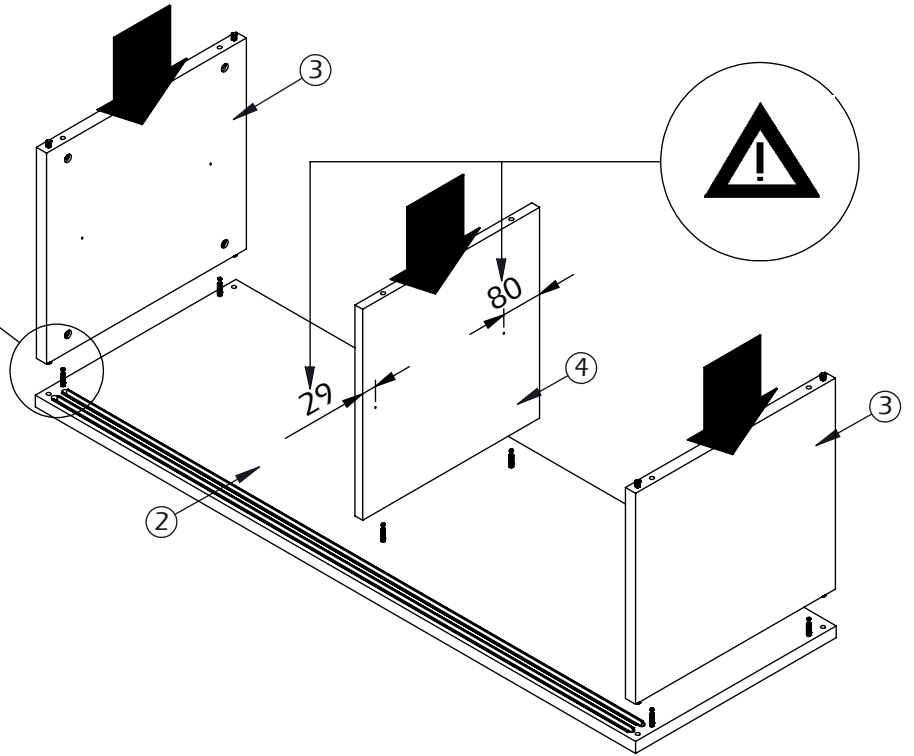
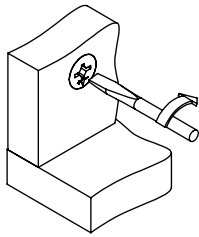
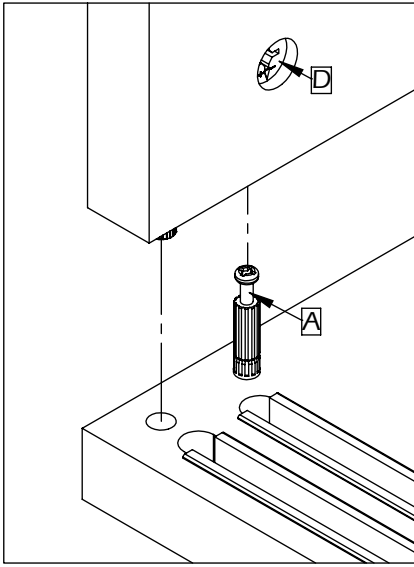
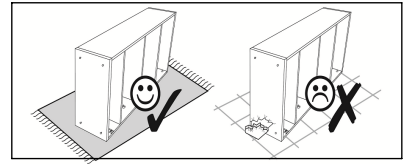


Ø15x13mm

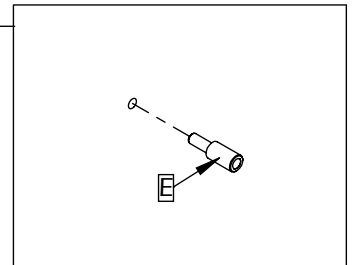
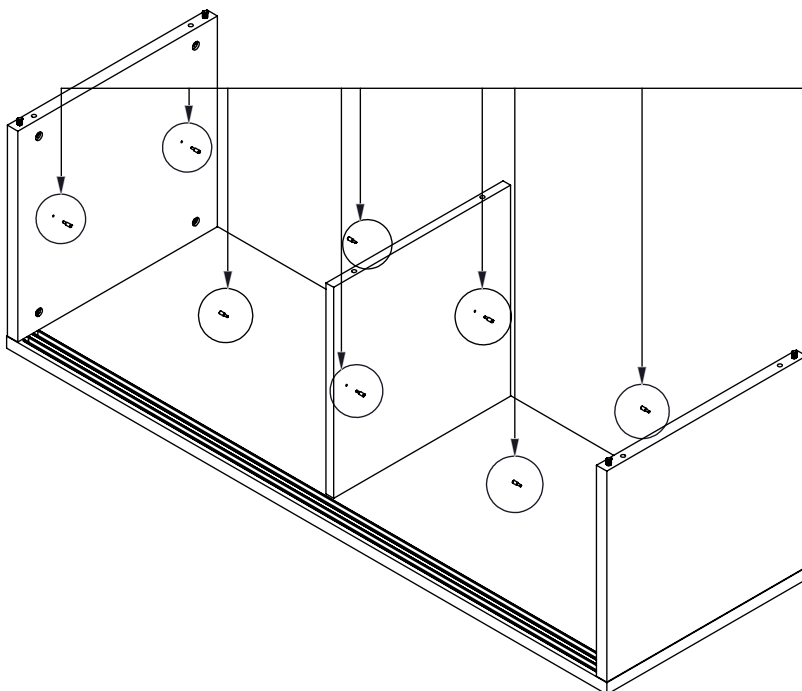
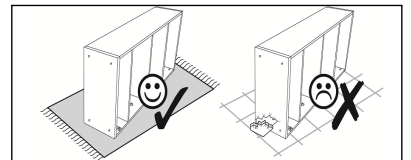
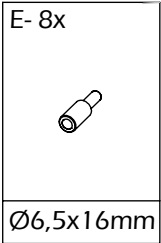
Ø8x35mm






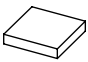
3

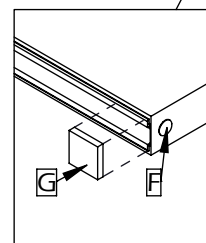
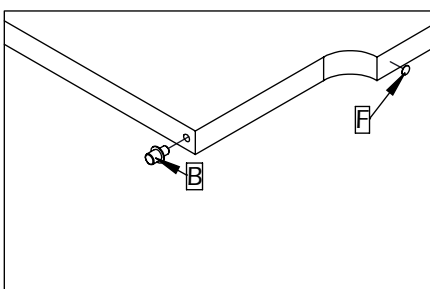
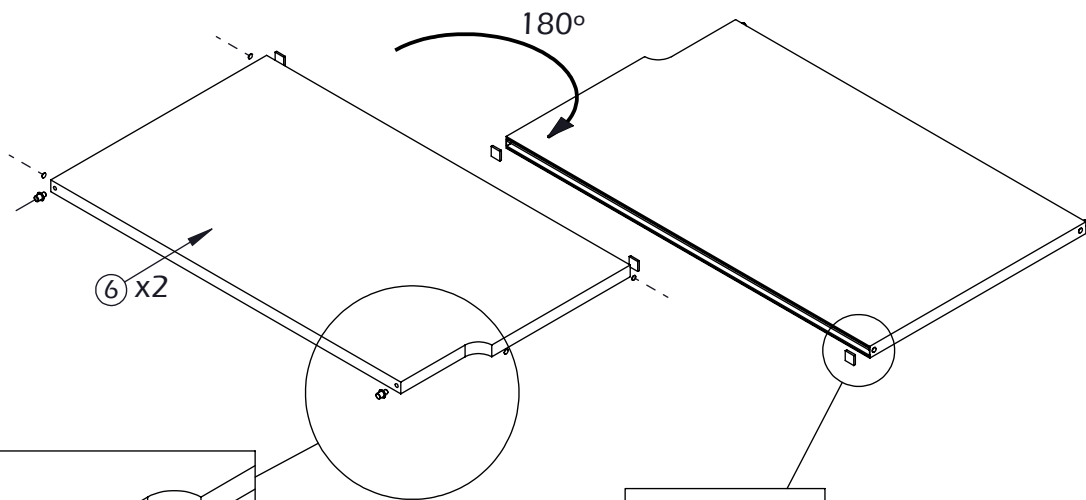
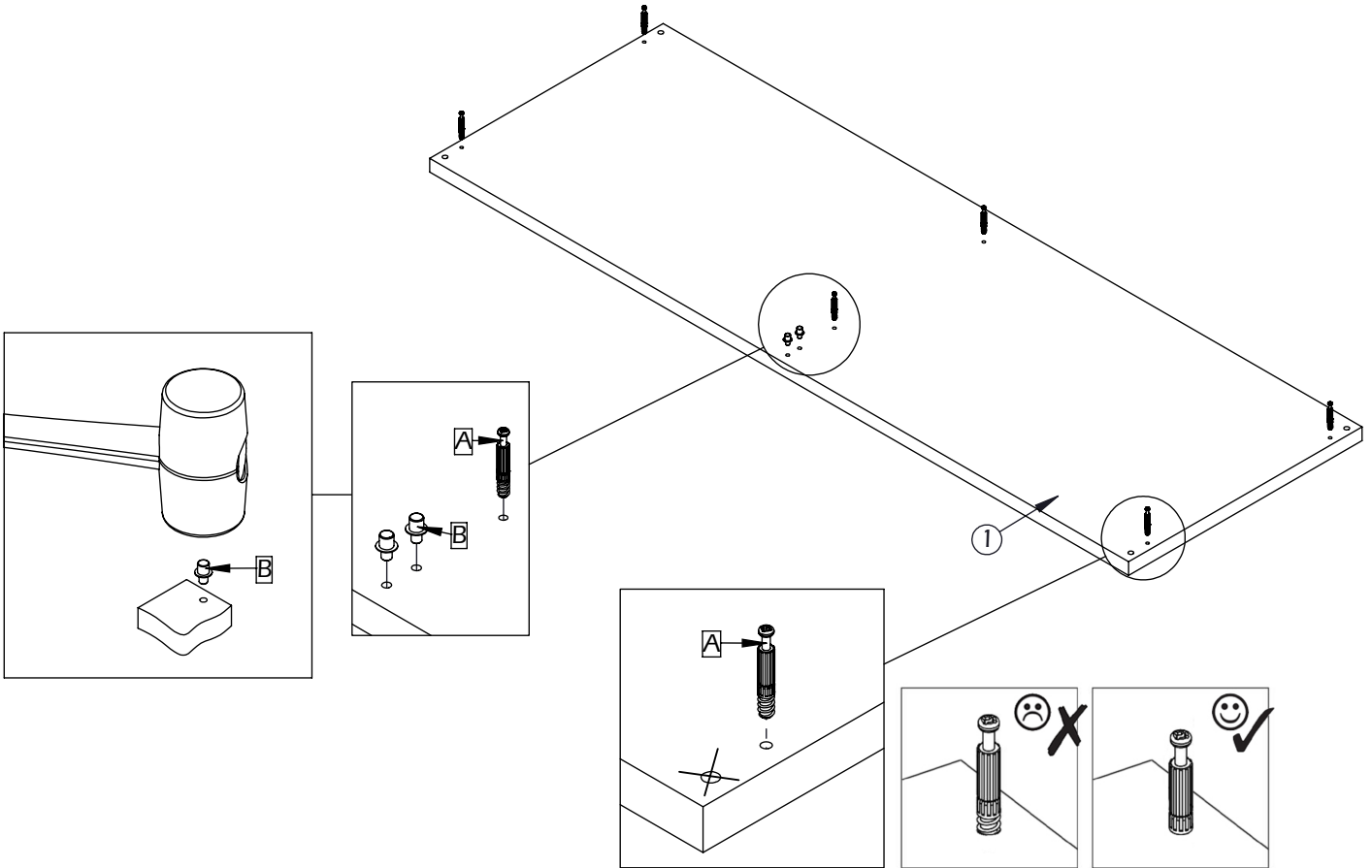
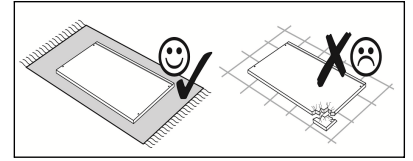


4

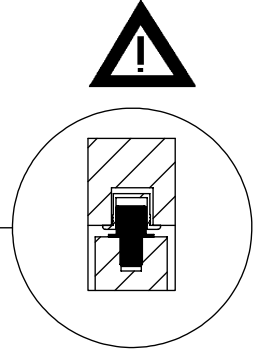
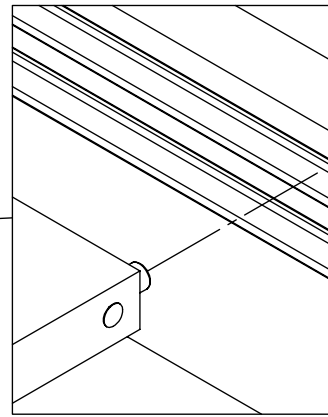
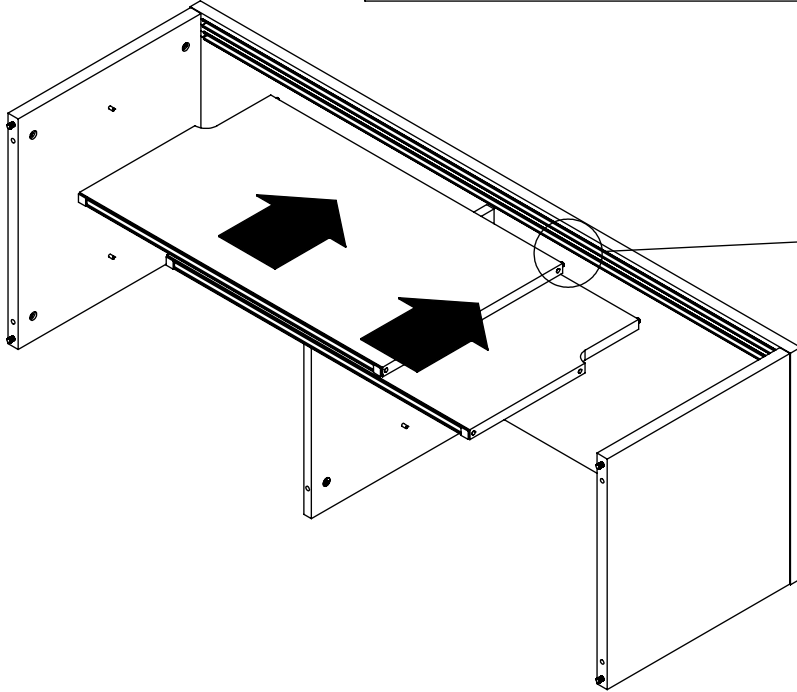
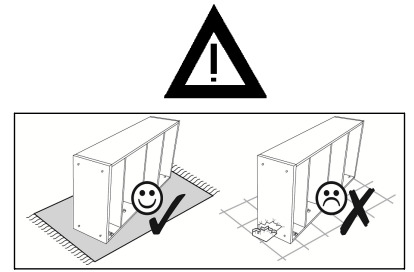
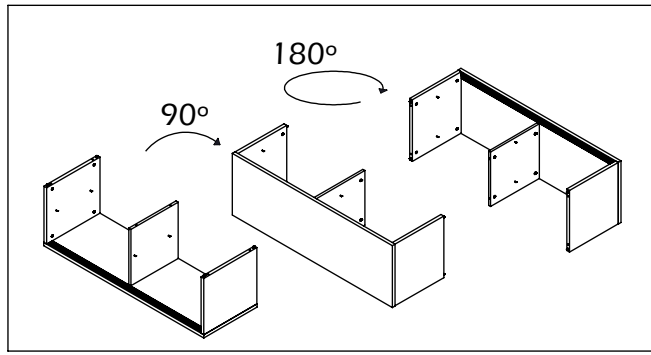


5

A- 6x	B- 6x	F- 8x	G-4x
			
Ø7x41mm	Ø12x16mm	Ø10x2mm	16x16x3mm



6

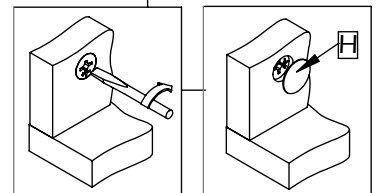
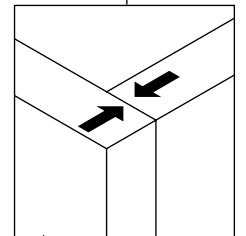
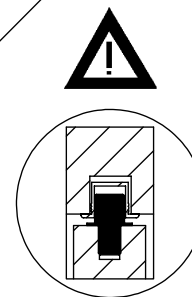
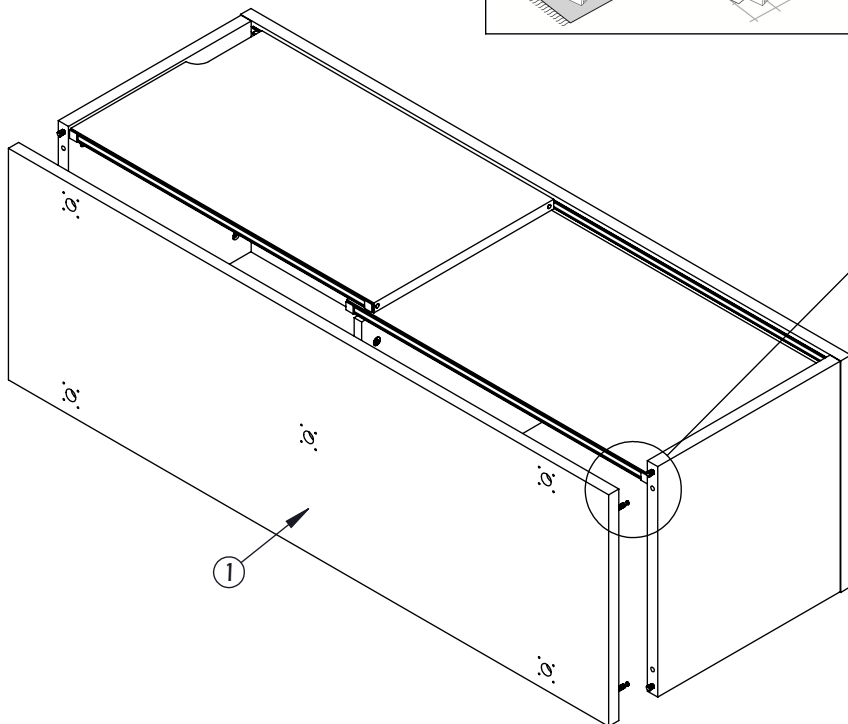
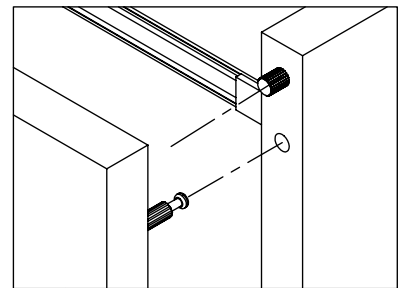
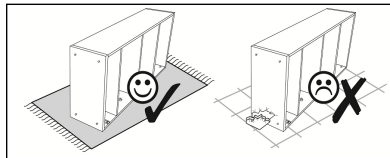


7

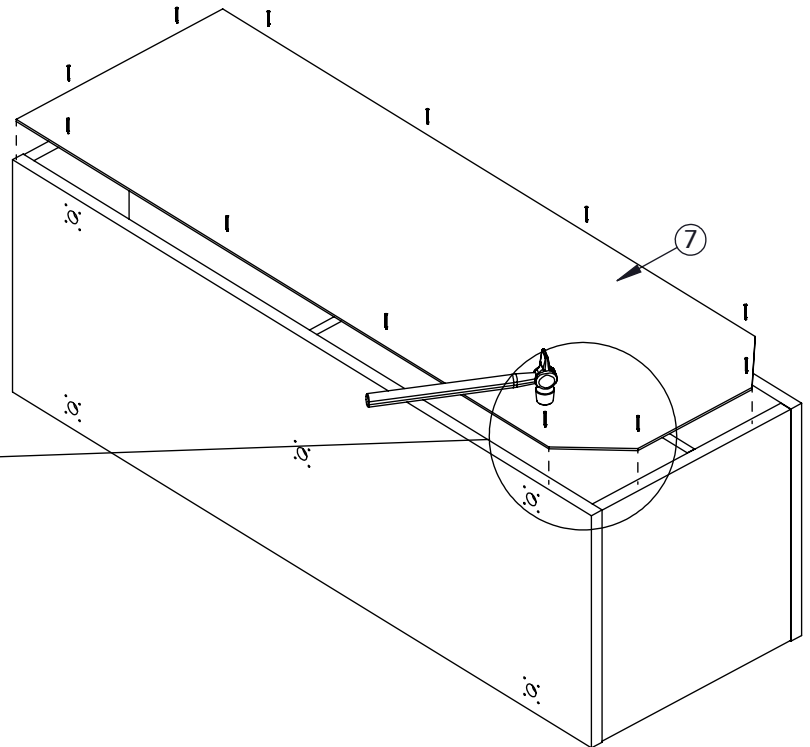
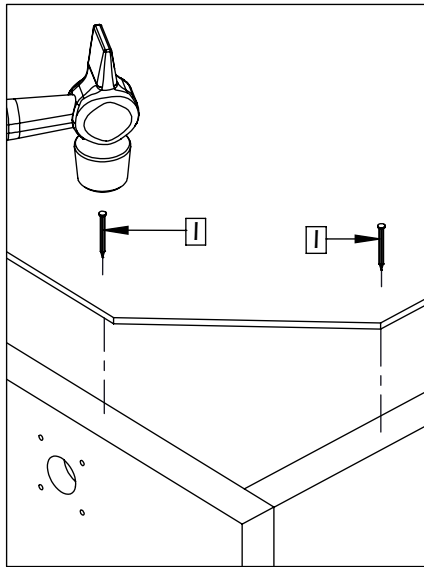
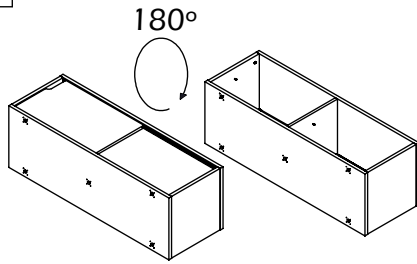
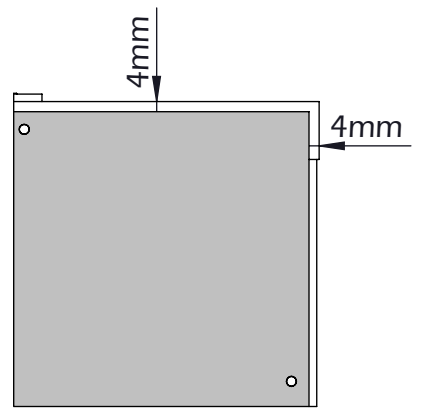
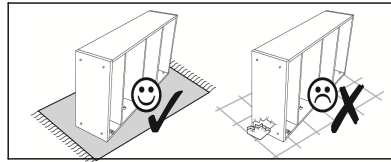
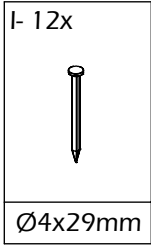
H-12x



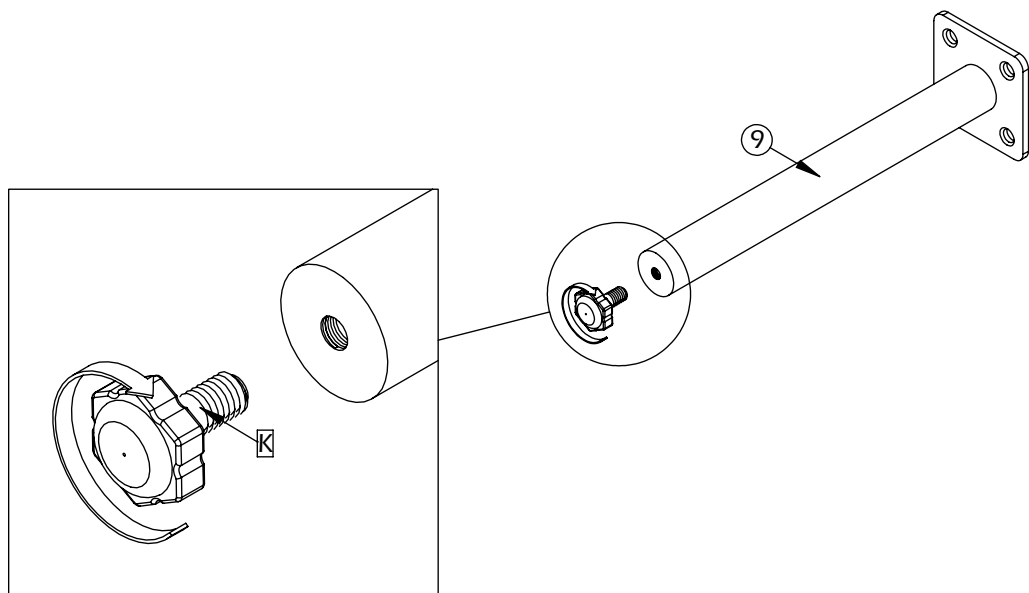
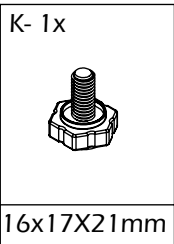
Ø20x0,5mm



8



9

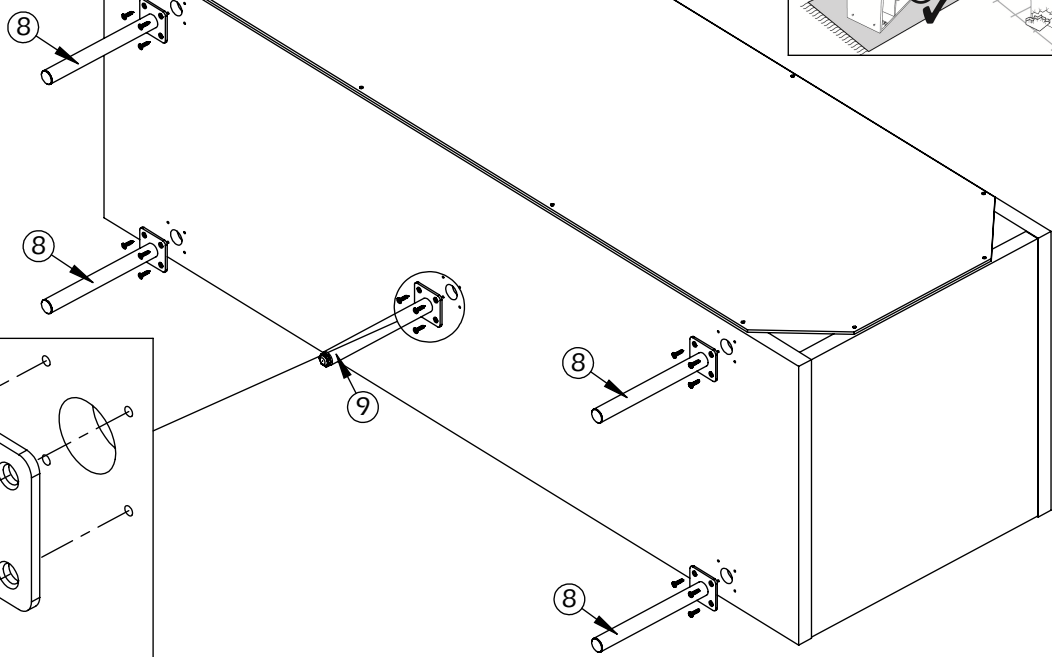
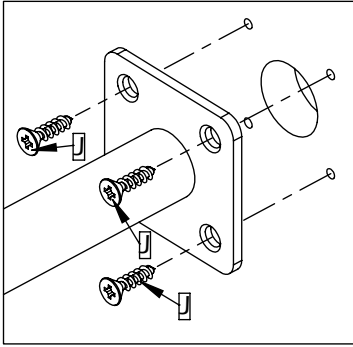
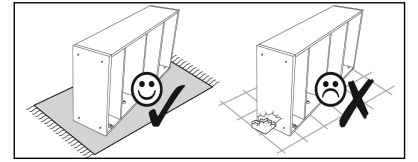


10

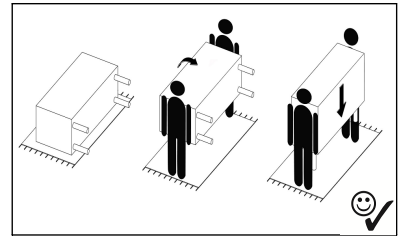
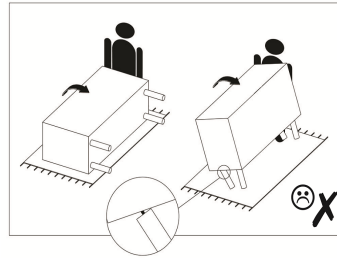
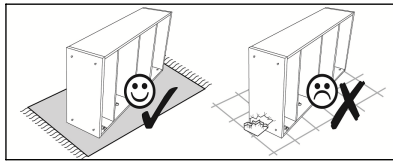
J- 20x



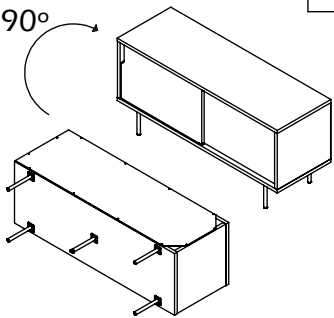
Ø4x16mm



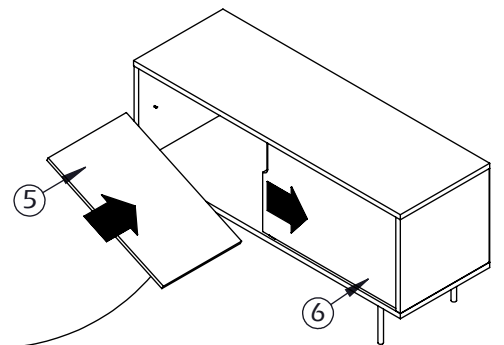
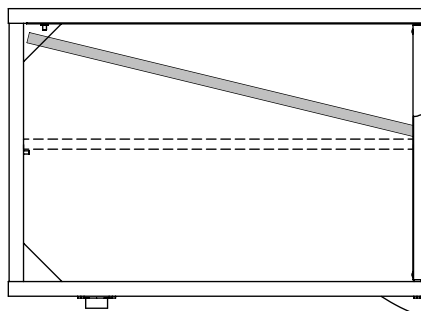
11



90°



1°



2°

