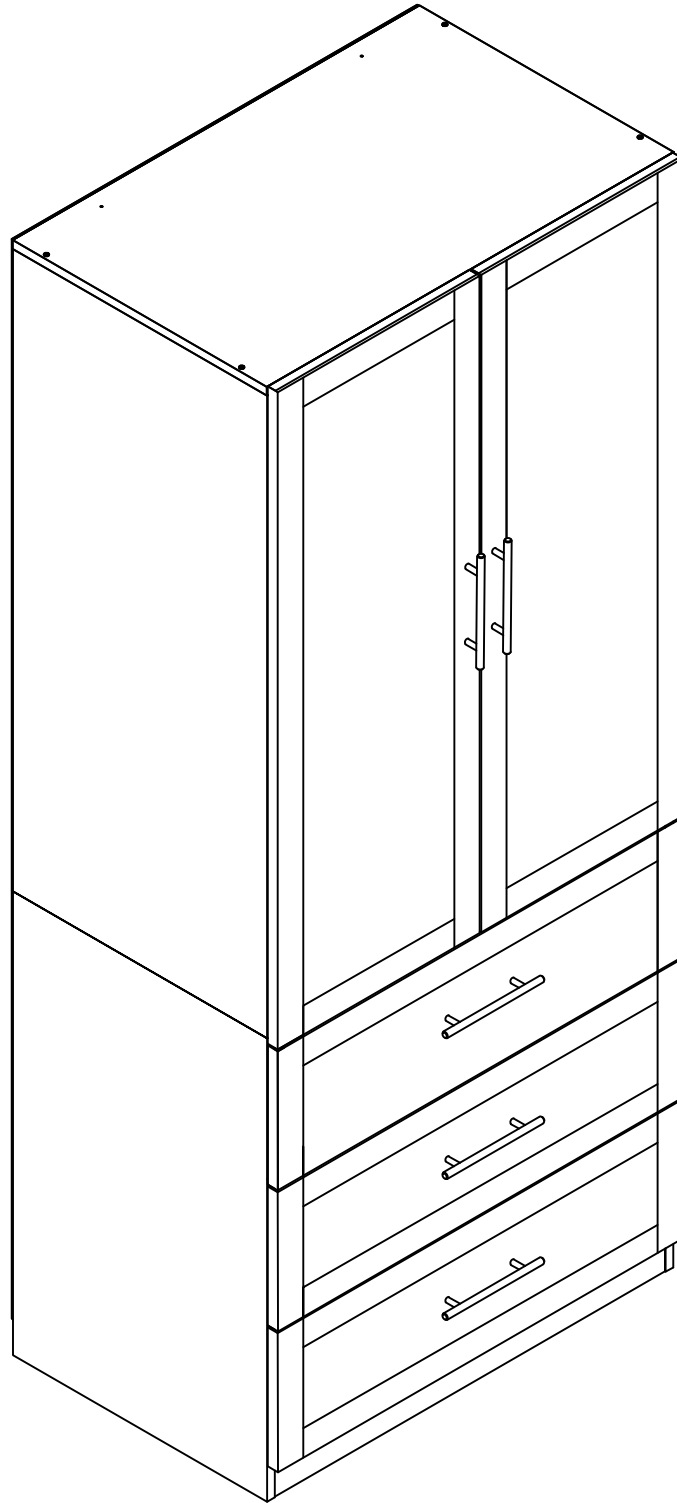
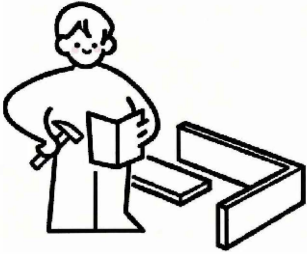


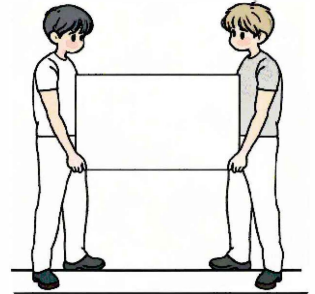
INSTRUCTION MANUAL





Please read this manual carefully before assembling or using this product. Follow the instructions thoroughly and keep this manual for future reference.

For a faster and easier assembly, work with a partner.



IMPORTANT INSTALLATION AND MAINTENANCE NOTES

- The furniture is large and heavy, please choose a good placement before installation. After the installation is completed, try not to move it widely. If necessary, more than one person should cooperate to carry it.
- Please note: After the installation is completed, avoid vigorous dragging or using brute force to carry the furniture, as this may cause irreversible damage to the connection points or plates, leading to cracks that affect the functionality and appearance of the product.
- Any product that is assembled using screws should be re-tightened 2 weeks after assembly, and once every 3 months thereafter, to ensure stability throughout the product's lifespan.
- For regular maintenance and cleaning of the product: For the frame, use a rag dipped in neutral detergent to wipe it thoroughly, then dry it with a clean rag. For glass materials, use a rag dampened with a water-based glass cleaner, and then dry it with a dry rag.
- Do not use an electric screwdriver, and avoid using excessive force during installation, as the board is easy to break.
- If you have any issues or questions, please feel free to contact our customer service team.

ANTI-TOPPLE WARNING!

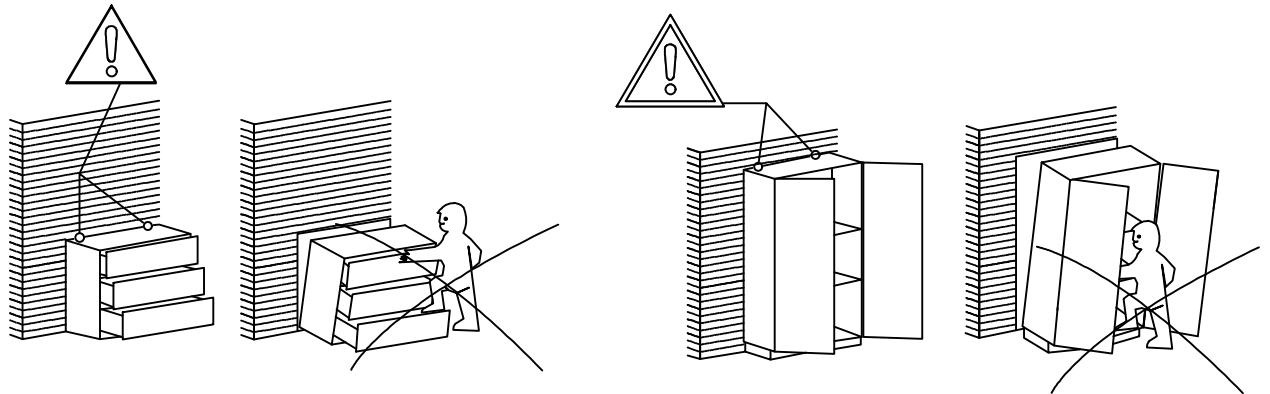
Overtured furniture can cause serious injury or even death.

To prevent tipping over, always secure the furniture to the wall using the provided wall attachment.

If the wall attachment is not included, purchase one that fits your wall type.

If you're unsure, seek professional assistance to ensure correct installation.

Carefully follow each step of the assembly instructions for safe and secure setup.



This product contains small parts, please keep out of reach of children.

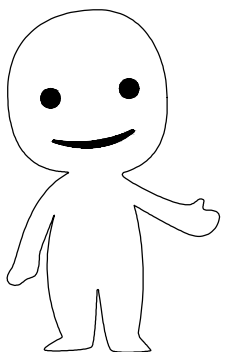
Ce produit contient de petites pièces, s'il vous plaît. À conserver hors de portée des enfants.

Bitte halten Sie kleine Teile außerhalb der Reichweite von Kindern.

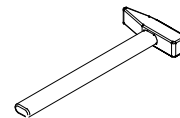
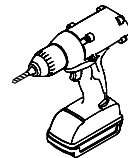
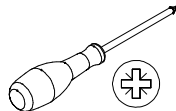
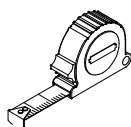
Este producto contiene piezas pequeñas. Mantener fuera del alcance de los niños.

Este produto contém peças pequenas. Por favor, mantenha fora do alcance das crianças.

Questo prodotto contiene piccole parti, si prega di tenere fuori dalla portata dei bambini.



Please prepare the following tools



REAL SIZE - TAILLE RÉELLE - ORIGINALGRÖÖE - TAMAÑO VERDADERO - TAMANHO REAL - DIMENSIONE REALE

In case of doubt, compare the hardware with the full-size images below.

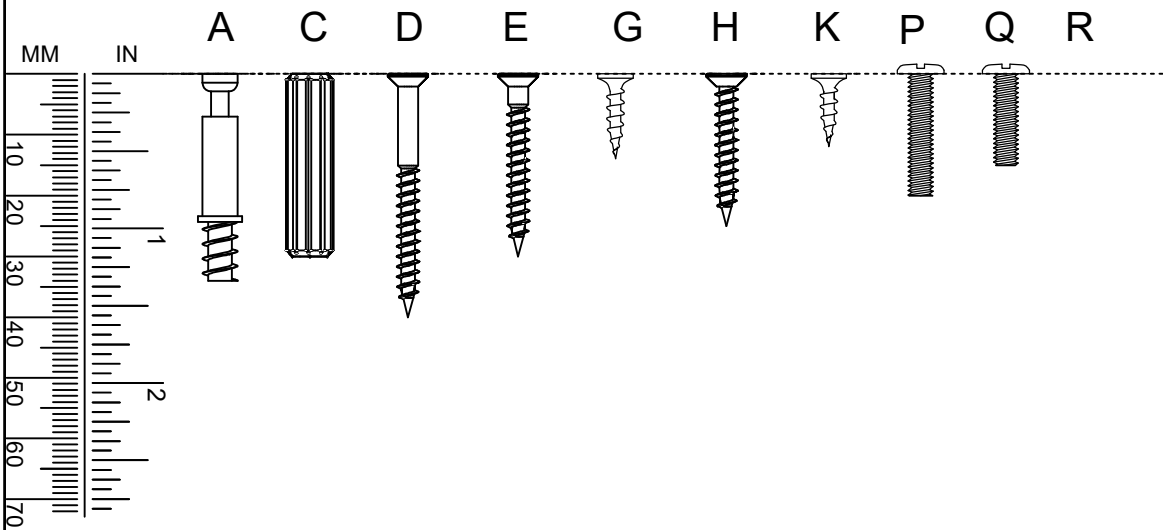
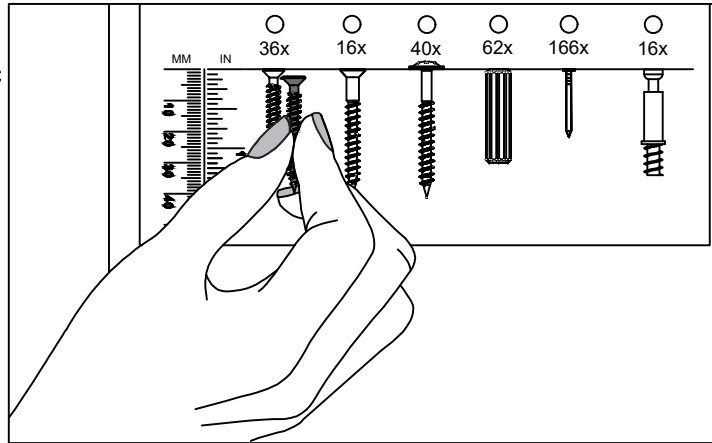
En cas de doute, veuillez comparer la quincaillerie avec les images ci-dessous à taille réelle.

Vergleichen Sie im Zweifelsfall die Schrauben mit den Abbildungen in Originalgröße.

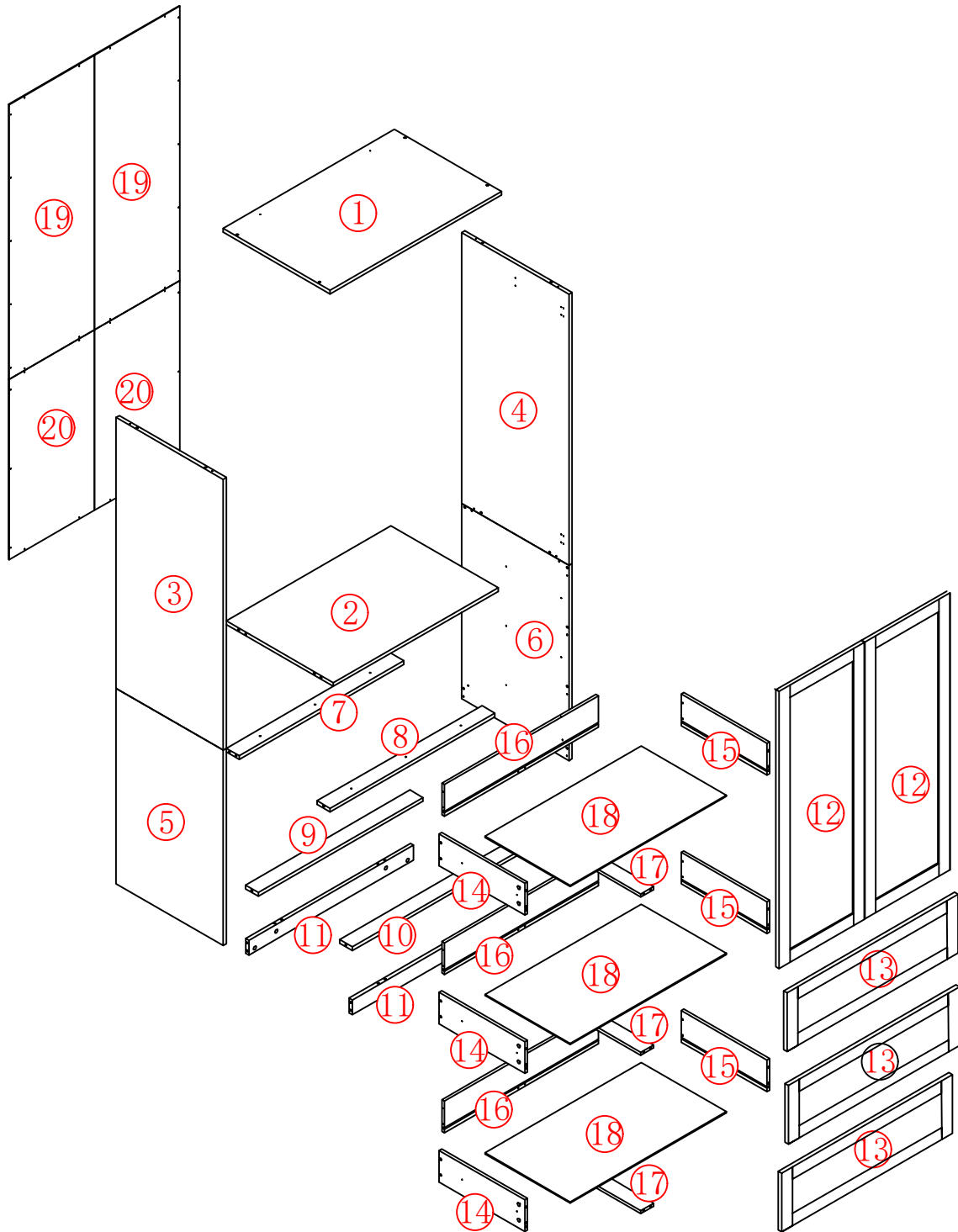
En caso de duda, compare los herrajes con las imágenes a continuación en tamaño real.

Em caso de dúvida, compare as ferragens com as imagens abaixo em tamanho real.

In caso di dubbio, confronta la ferramenta con le immagini sottostanti a grandezza reale.



A x 35 Ø6 x 34mm	B x 35 Ø15 x 9.5mm	C x 24 Ø8 x 30mm	D x 4 Ø4x 40mm	E x 18 Ø4x 30mm
F x 4 	G x 60 Ø3.5 x 14mm	H x 6 Ø 4 x 25mm	J x 3 #4512 14"	K x 24 Ø3.5x 12mm
L x 2 47 x 18 x 12mm	M x 1 762mm	N x 5 8018#	P x 4 M4x20	Q x 6 M4x12
R x 2 				



! WARNING

Children have died from furniture tipover.

To reduce the risk of furniture tipover:

- ALWAYS instal tipover restraint provided.
- NEVER put a TV on this product.
- NEVER allow children to stand, climb or hang on drawers, doors, or shelves.
- NEVER open more than one drawer at a time.
- Place heaviest items in the lowest drawers.

This is a permanent label.

Do not remove!



ATTENTION - AVERTISSEMENT - ACHTUNG - ATENCIÓN - ATENÇÃO - ATTENZIONE

Assemble the furniture on a clean and flat surface and cover it with the cardboard of the packaging.

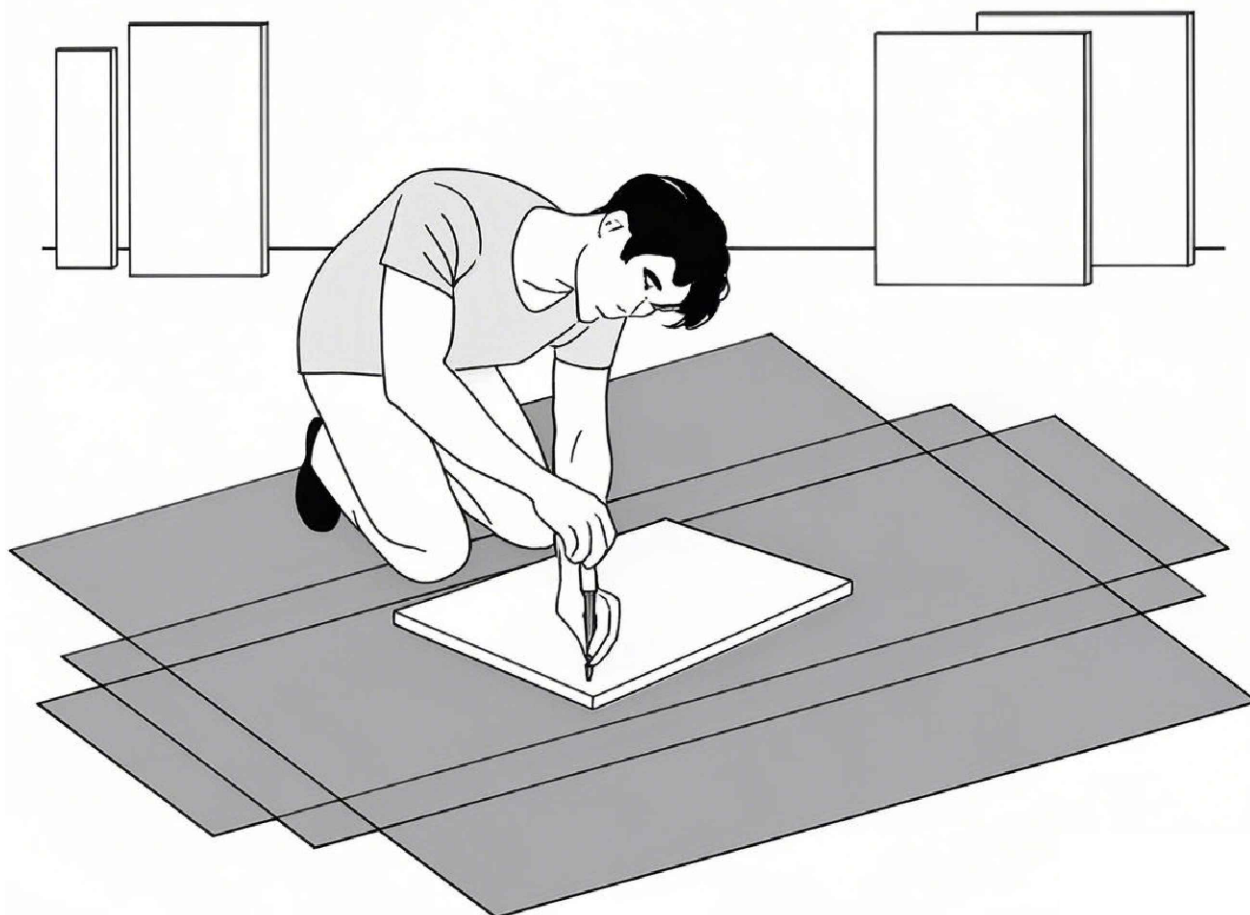
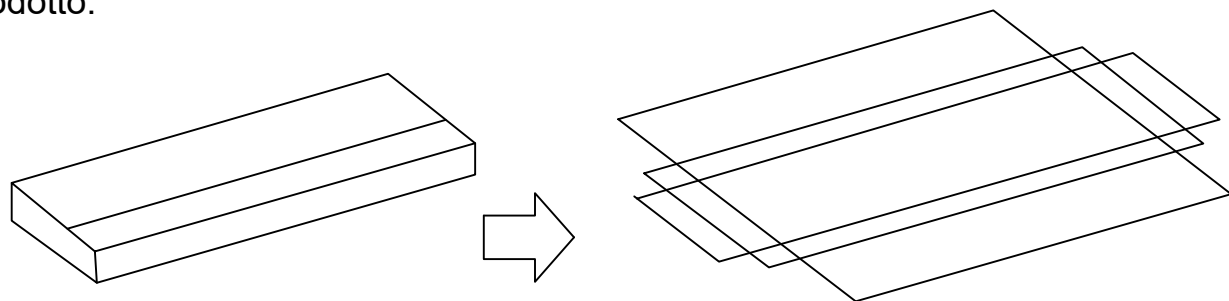
Assemblez le meuble sur une surface propre et plane et couvrez-le avec le carton de l'emballage du produit.

Um Beschädigungen zu vermeiden, montieren Sie den Artikel auf einer weichen, sauberen Unterlage. Tipp: Legen Sie den Artikel auf dem Verpackungskarton.

Montar el mueble sobre una superficie limpia y plana y cubrirlo con el cartón del embalaje del producto.

Montar o móvel sobre uma superfície limpa e plana e forrá-la com o papelão da embalagem do produto.

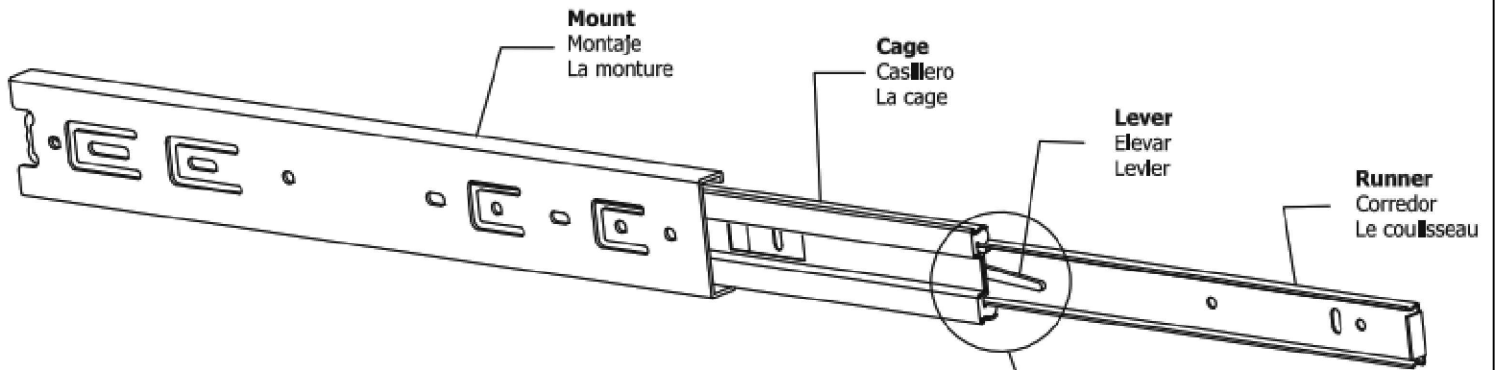
Montare il mobile su una superficie pulita e piana e rivestirla con il cartone d'imballaggio del prodotto.



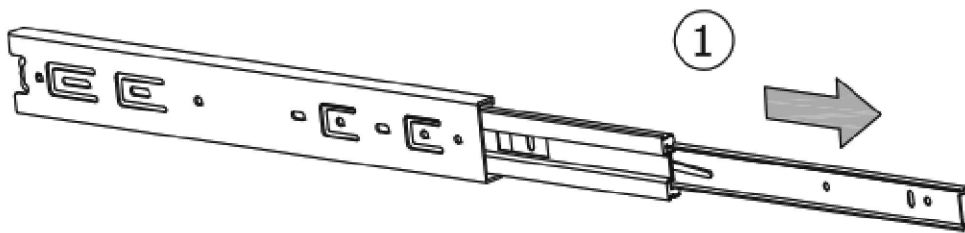
**Slides Must Be Separated Before Assembly.
After Separated, Set Aside Until Needed for Assembly.**

Las diapositivas deben separarse antes del montaje.
Después de la separación, déjelo a un lado hasta que sea necesario.

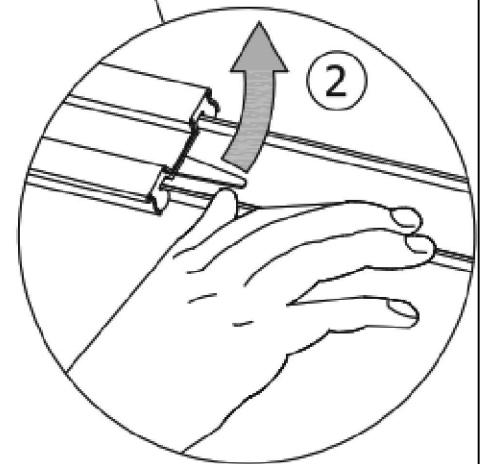
Les glissières doivent être séparées avant l'assemblage.
Après la séparation, mettez de côté jusqu'au moment de l'assemblage.



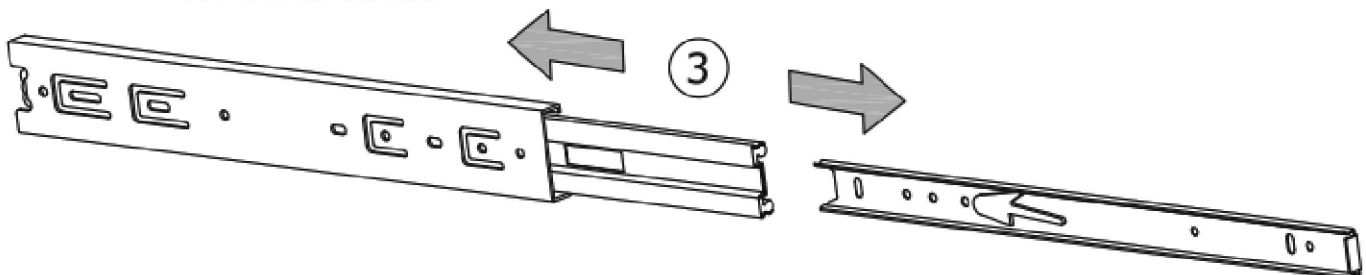
STEP 1: Extend Slide
Extender la diapositiva
Extendre la diapositive



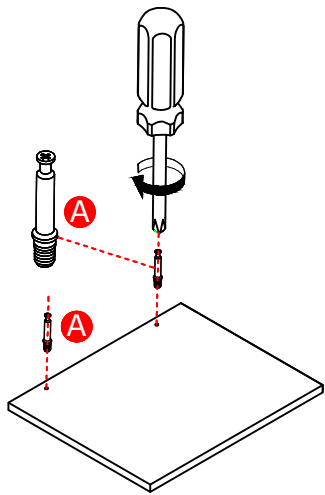
STEP 2: Push Lever UP
Empujar hacia arriba
Lever le levier



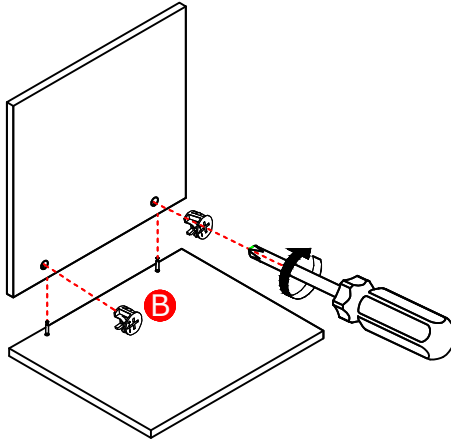
STEP 3: Remove Runner
Quitar el corredor
Enlever le coureur



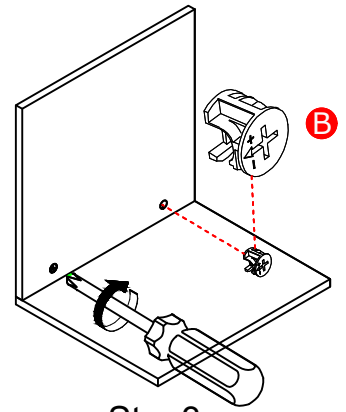
Use parts **A** and **B**



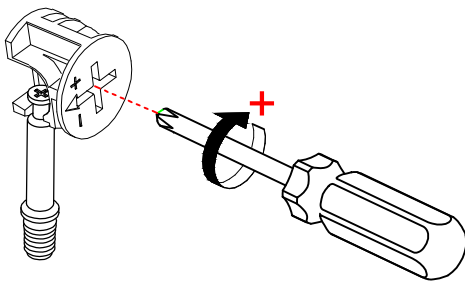
Step1



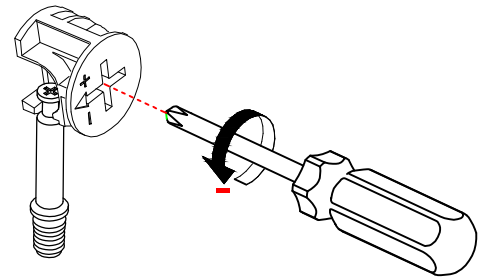
Step2



Step3

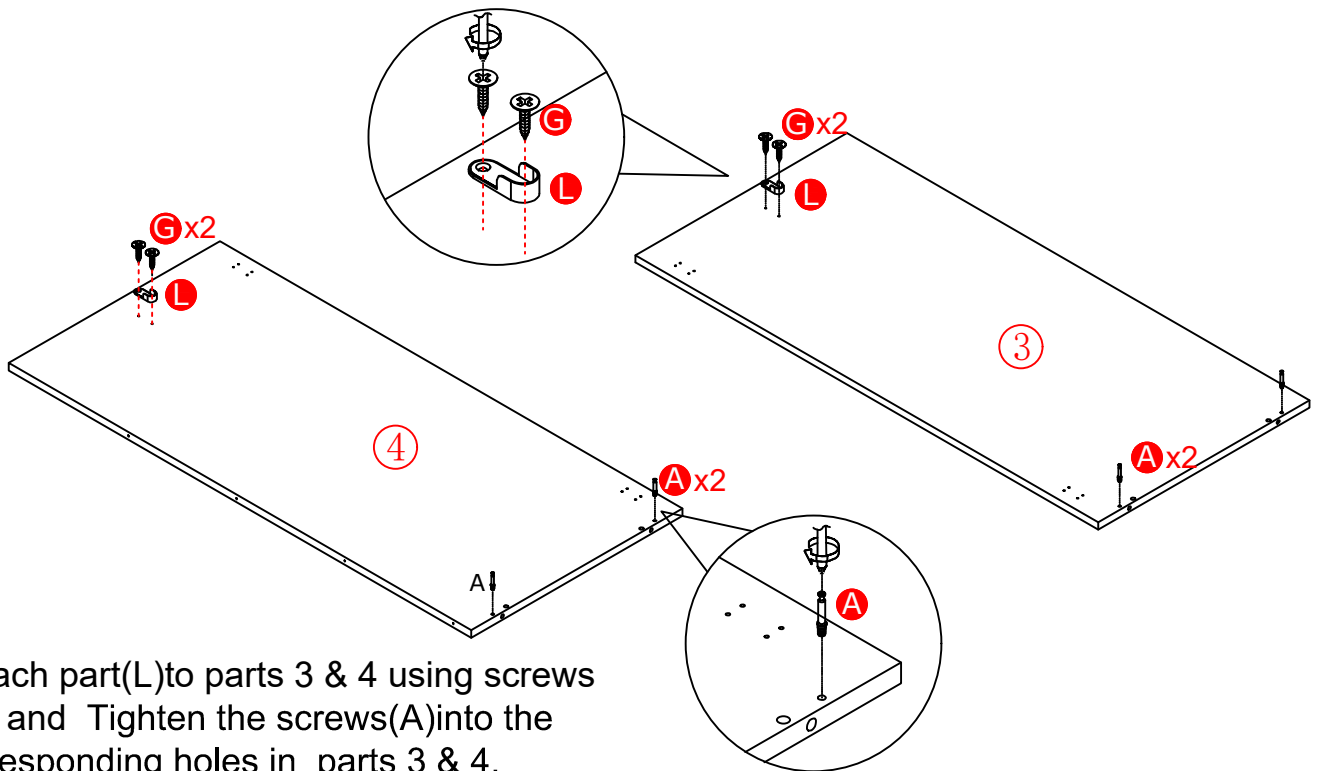
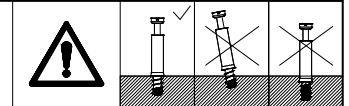
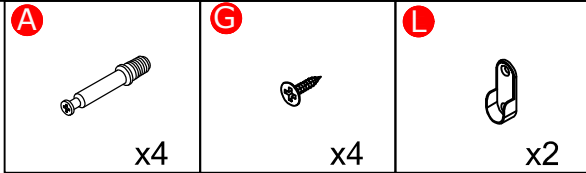


Use a screwdriver to lock in the direction of the "+" sign



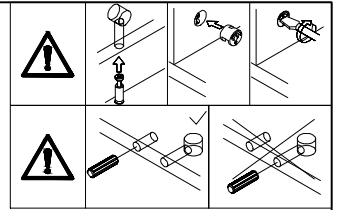
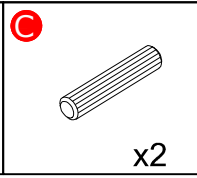
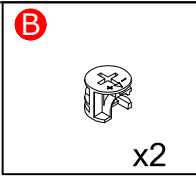
Disassemble along the direction of "-" sign

1

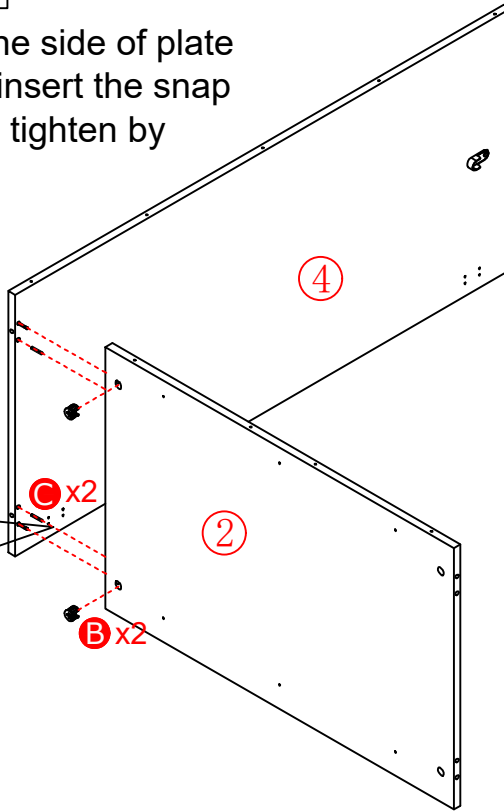
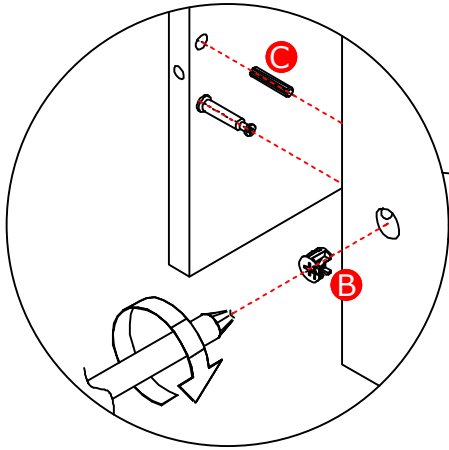


Attach part(L) to parts 3 & 4 using screws (G), and Tighten the screws(A) into the corresponding holes in parts 3 & 4, ensuring they are locked vertically.

2

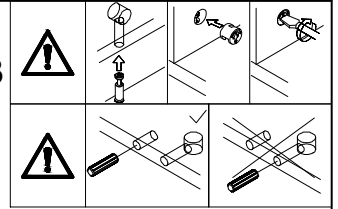
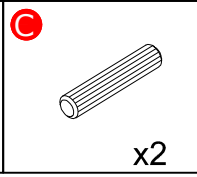
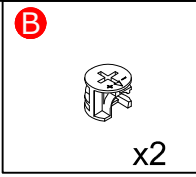


Insert the wooden dowel (C) into one side of plate 4. Connect plate 4 to plate 2, then insert the snap lock (B) into the hole on plate 2 and tighten by turning clockwise as shown.



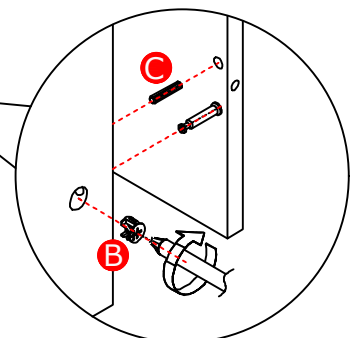
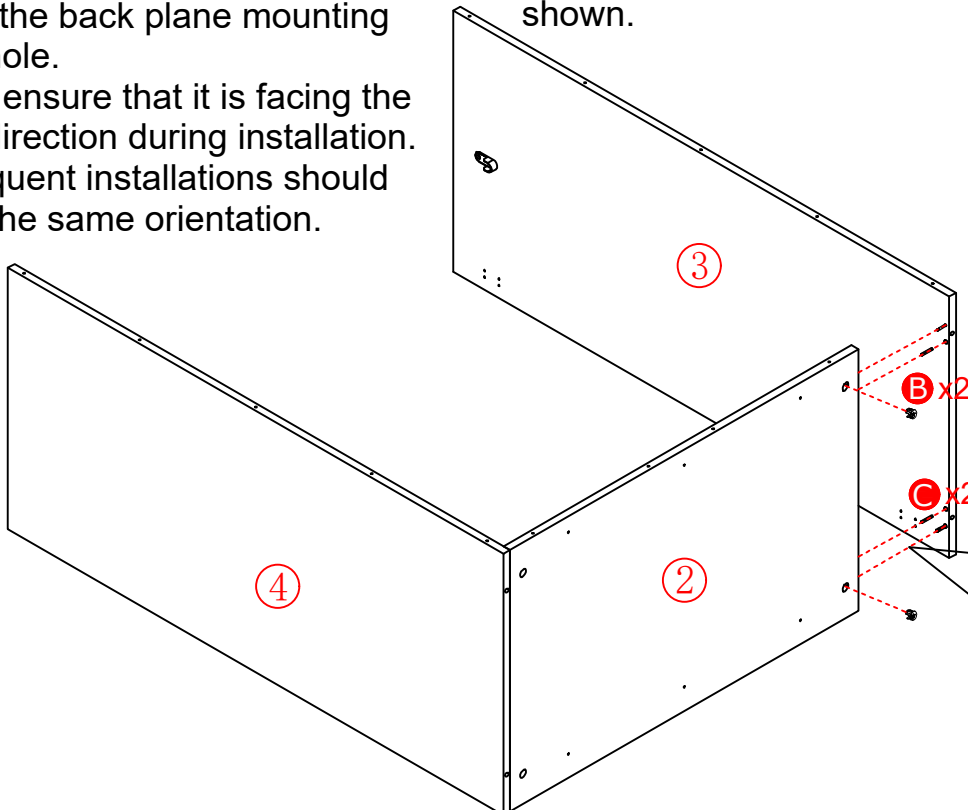
Please note:
This is the back plane mounting guide hole. Please ensure that it is facing the same direction during installation. Subsequent installations should follow the same orientation.

3

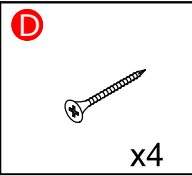
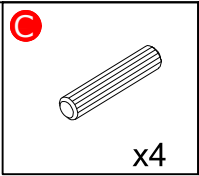


Insert the wooden dowel (C) into one side of plate 3. Connect plate 3 to plate 2, then insert the snap lock (B) into the hole on plate 2 and tighten by turning clockwise as shown.

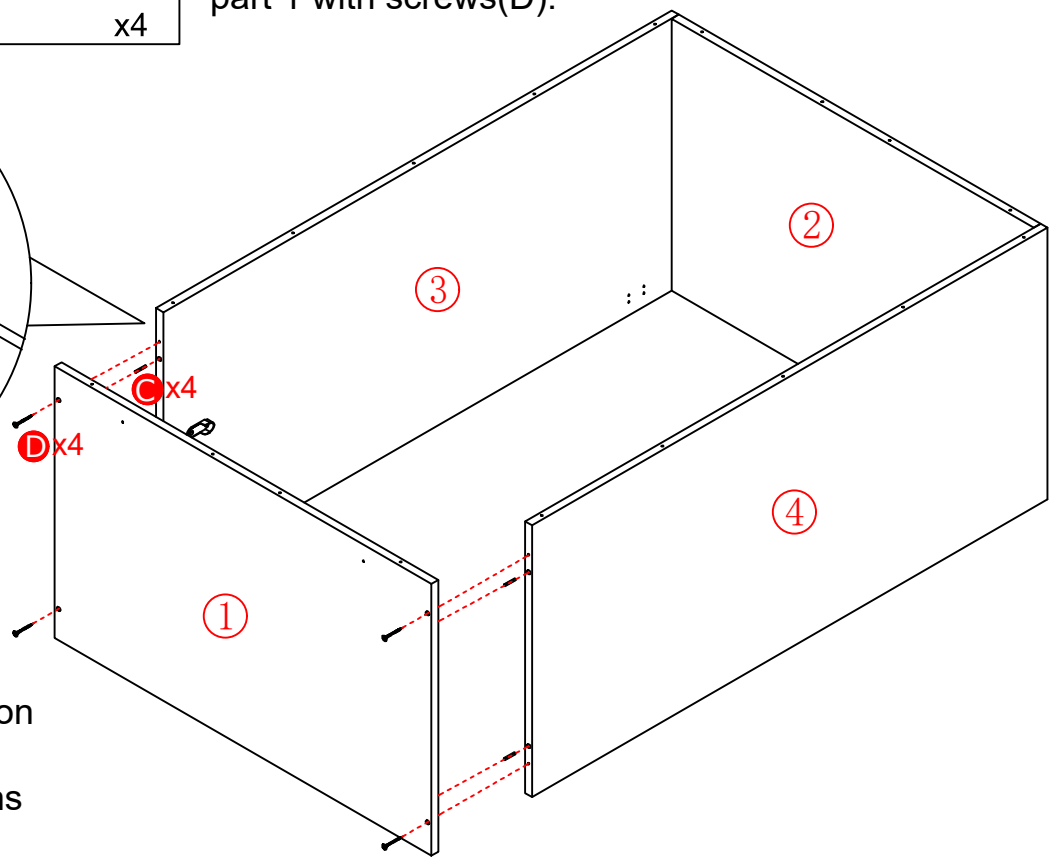
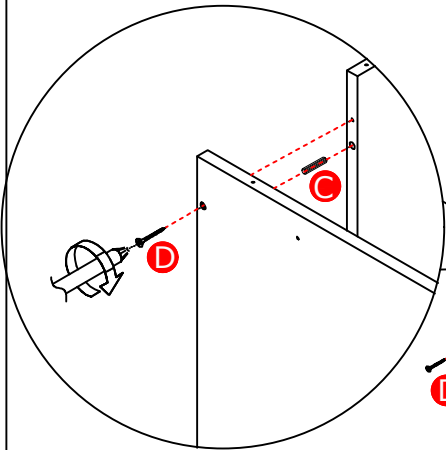
Please note:
This is the back plane mounting guide hole. Please ensure that it is facing the same direction during installation. Subsequent installations should follow the same orientation.



4

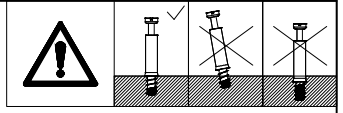
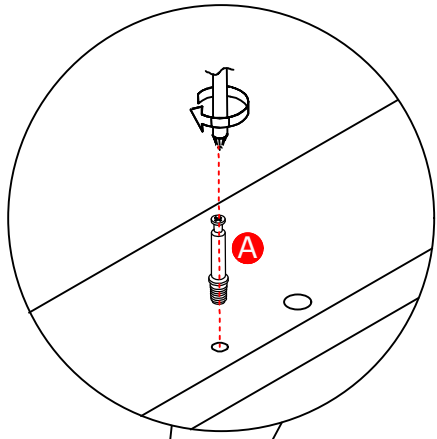
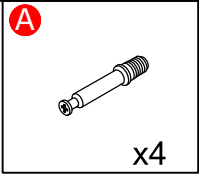


Insert the wooden dowel (C) into one side of plate 3 & 4. Connect plate 3 & 4 to plate 1, Then secure part 1 with screws(D).

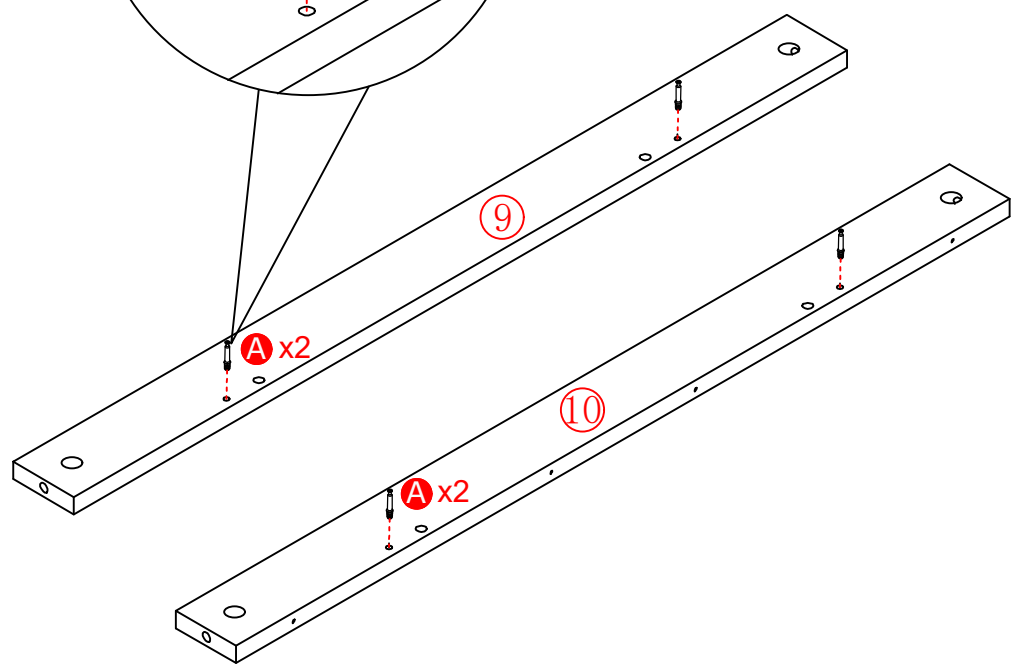


Please note:
This is the back plane mounting guide hole.
Please ensure that it is facing the same direction during installation.
Subsequent installations should follow the same orientation.

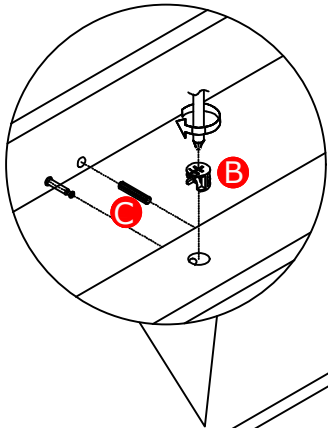
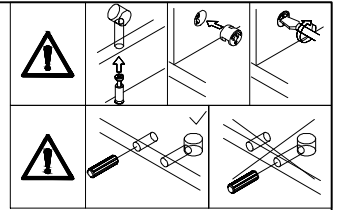
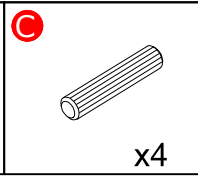
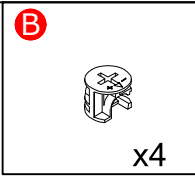
5



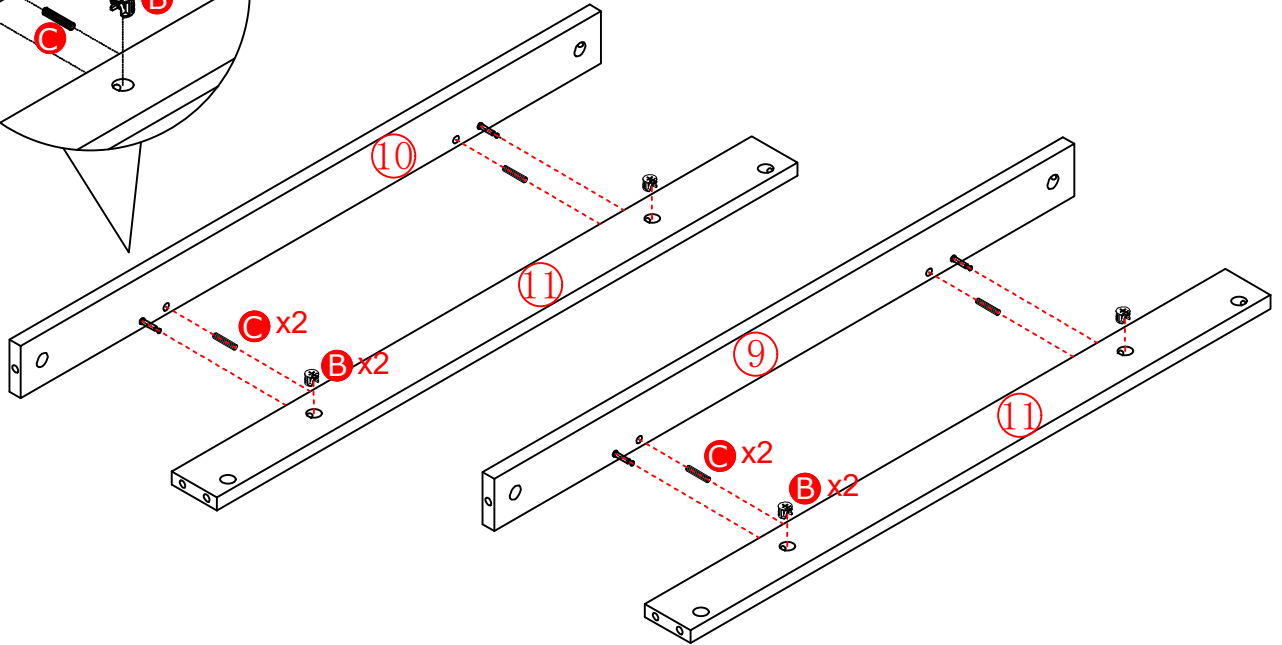
Tighten the screws(A) into the corresponding holes in parts 9 & 10, ensuring they are locked vertically.



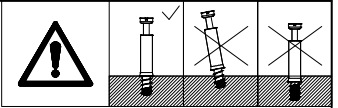
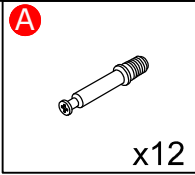
6



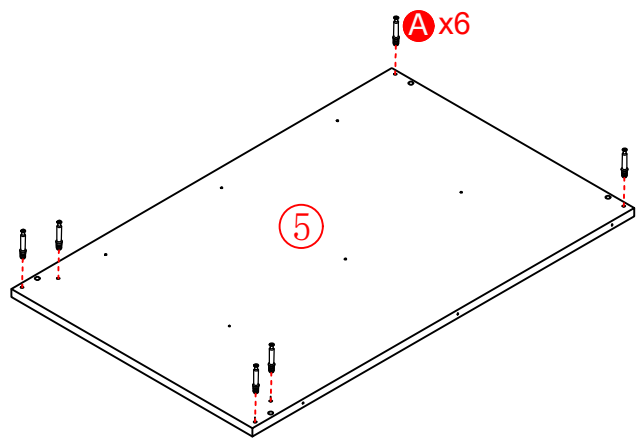
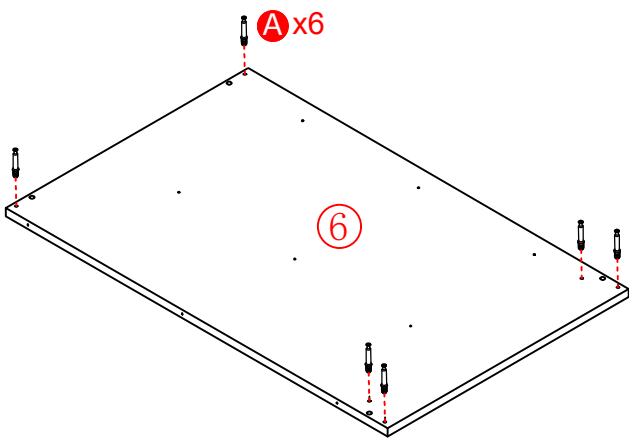
Insert the wooden dowel (C) into one side of plate 9 & 10. Connect plate 9 & 10 to plate 11, then insert the snap lock (B) into the hole on plate 11 and tighten by turning clockwise as shown.



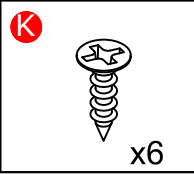
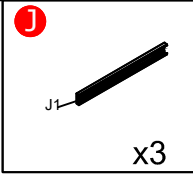
7



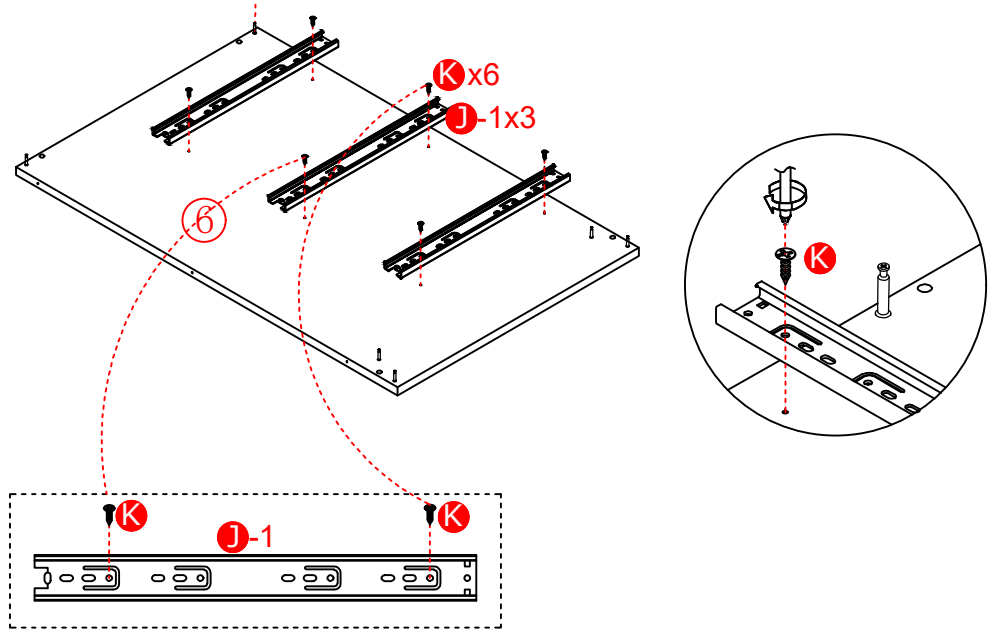
Tighten the screws (A) into the corresponding holes in parts 5 & 6, ensuring they are locked vertically.



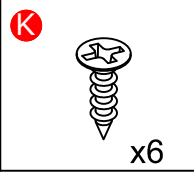
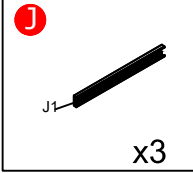
8



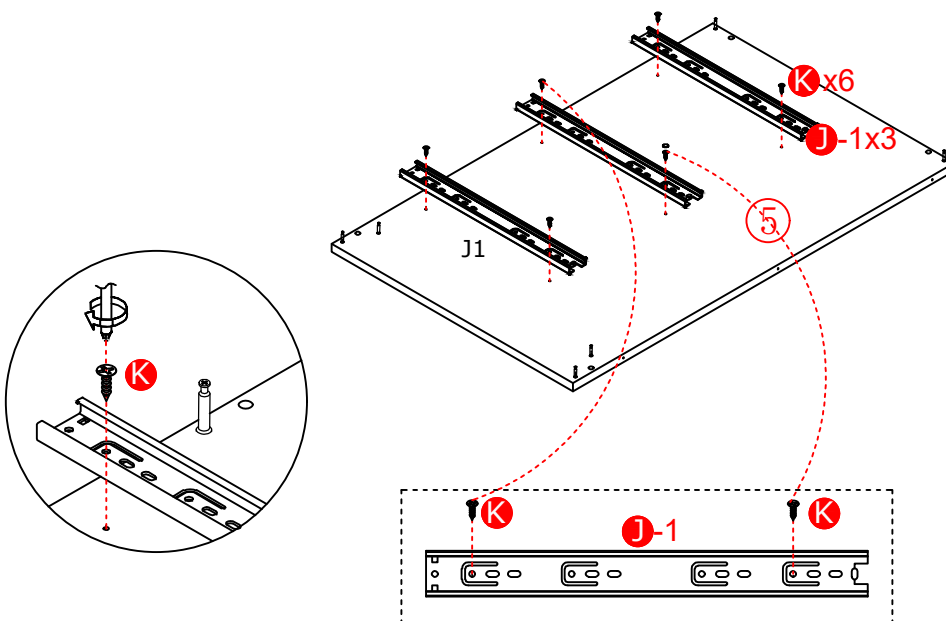
Referring to the illustration, install the drawer guide rail on parts 6, and screw (K) into the corresponding holes of the guide rail (J-1) according to the position of the holes in the hole position example diagram, check the corresponding part number and hole position in the illustration.



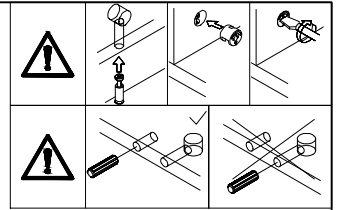
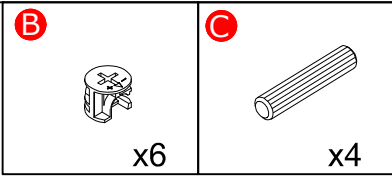
9



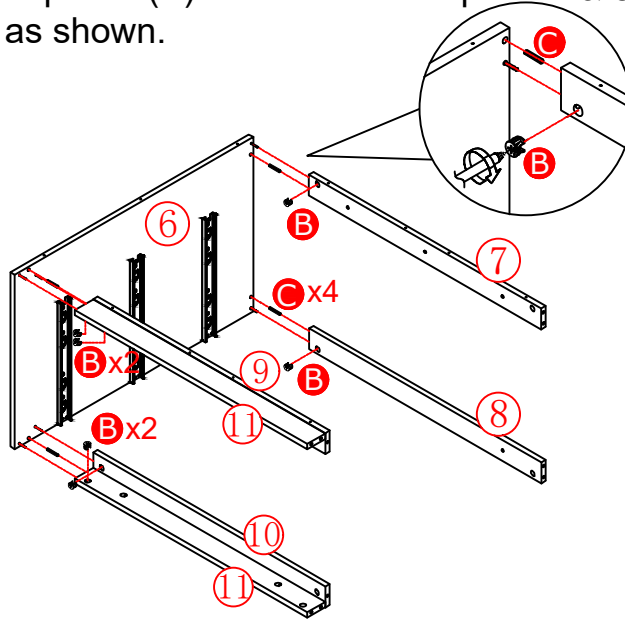
Referring to the illustration, install the drawer guide rail on parts 5, and screw (K) into the corresponding holes of the guide rail (J-1) according to the position of the holes in the hole position example diagram, check the corresponding part number and hole position in the illustration.



10

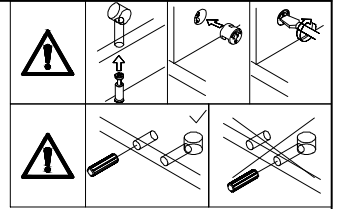
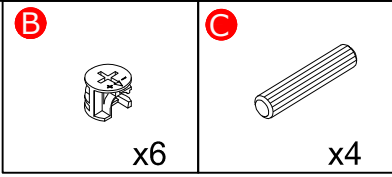


Insert the wooden dowel (C) into one side of plate 6. Connect plate 6 to plate 7 & 8 & 9 & 10 and 11, then insert the snap lock (B) into the hole on plate 7 & 8 & 9 & 10 and 11 and tighten by turning clockwise as shown.

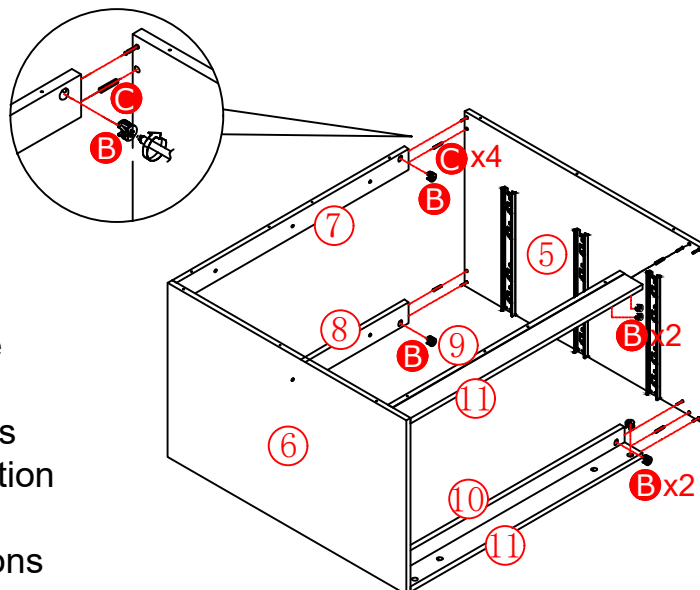


Please note:
This is the back plane mounting guide hole. Please ensure that it is facing the same direction during installation. Subsequent installations should follow the same orientation.

11

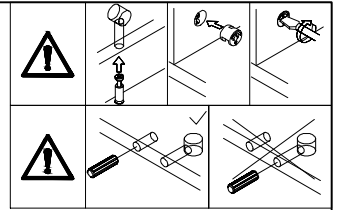
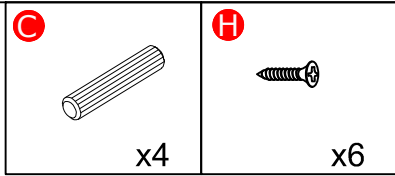


Insert the wooden dowel (C) into one side of plate 5. Connect plate 5 to plate 7 & 8 & 9 & 10 and 11, then insert the snap lock (B) into the hole on plate 7 & 8 & 9 & 10 and 11 and tighten by turning clockwise as shown.

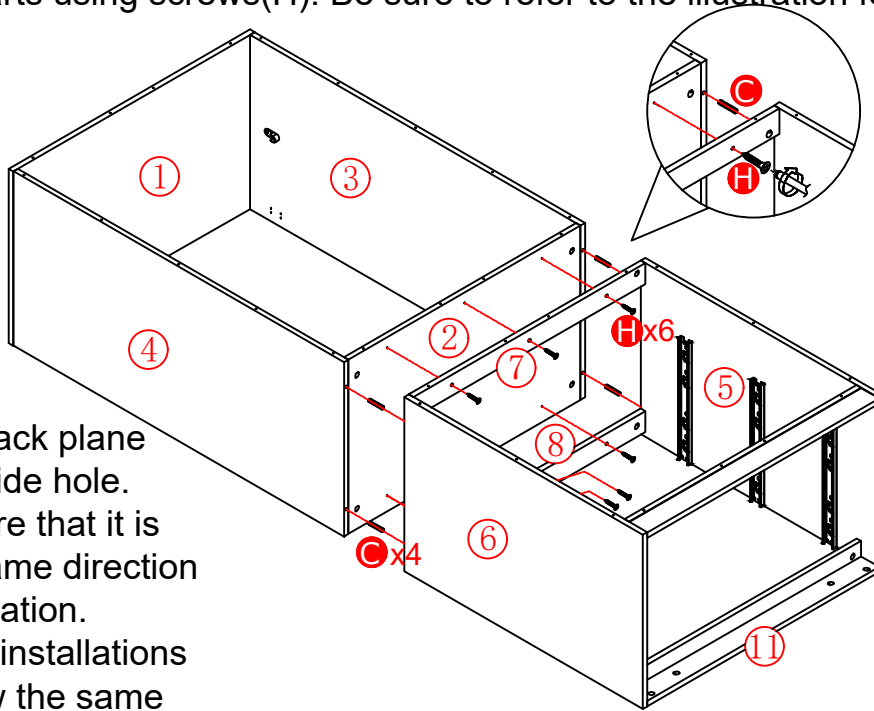


Please note:
This is the back plane mounting guide hole. Please ensure that it is facing the same direction during installation. Subsequent installations should follow the same orientation.

12

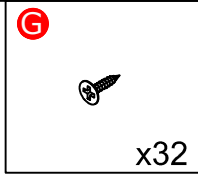


Insert the wooden dowel (C) into the corresponding holes, then attach and secure the upper and lower parts using screws (H). Be sure to refer to the illustration for the correct hole positions.

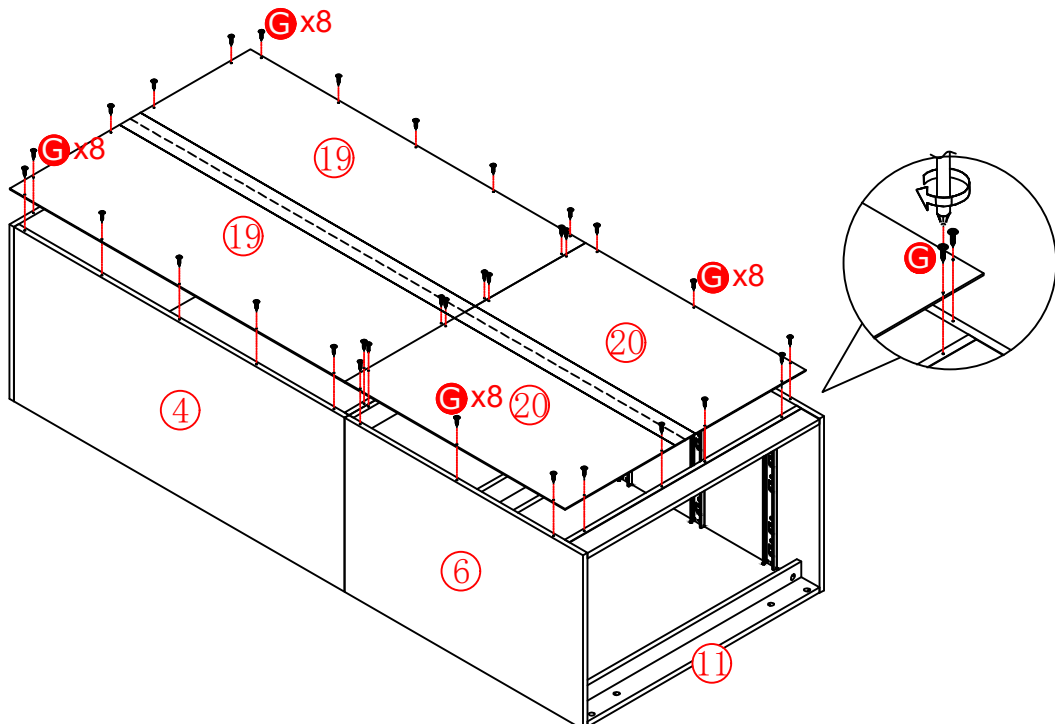


Please note:
This is the back plane mounting guide hole.
Please ensure that it is facing the same direction during installation.
Subsequent installations should follow the same orientation.

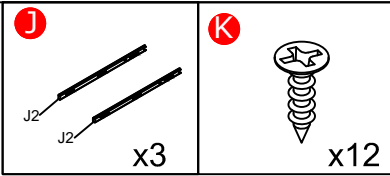
13



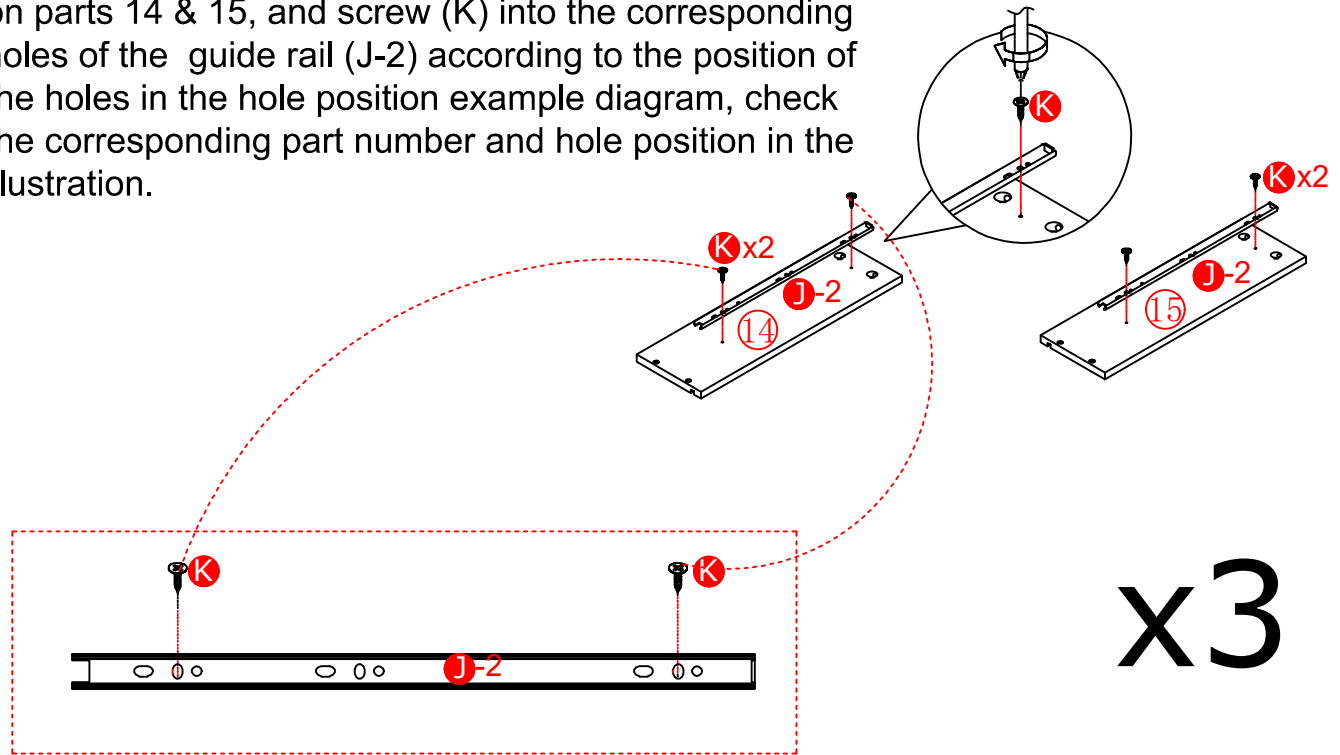
Install the back panel as shown in the illustration.



14

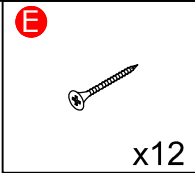


Referring to the illustration, install the drawer guide rail on parts 14 & 15, and screw (K) into the corresponding holes of the guide rail (J-2) according to the position of the holes in the hole position example diagram, check the corresponding part number and hole position in the illustration.

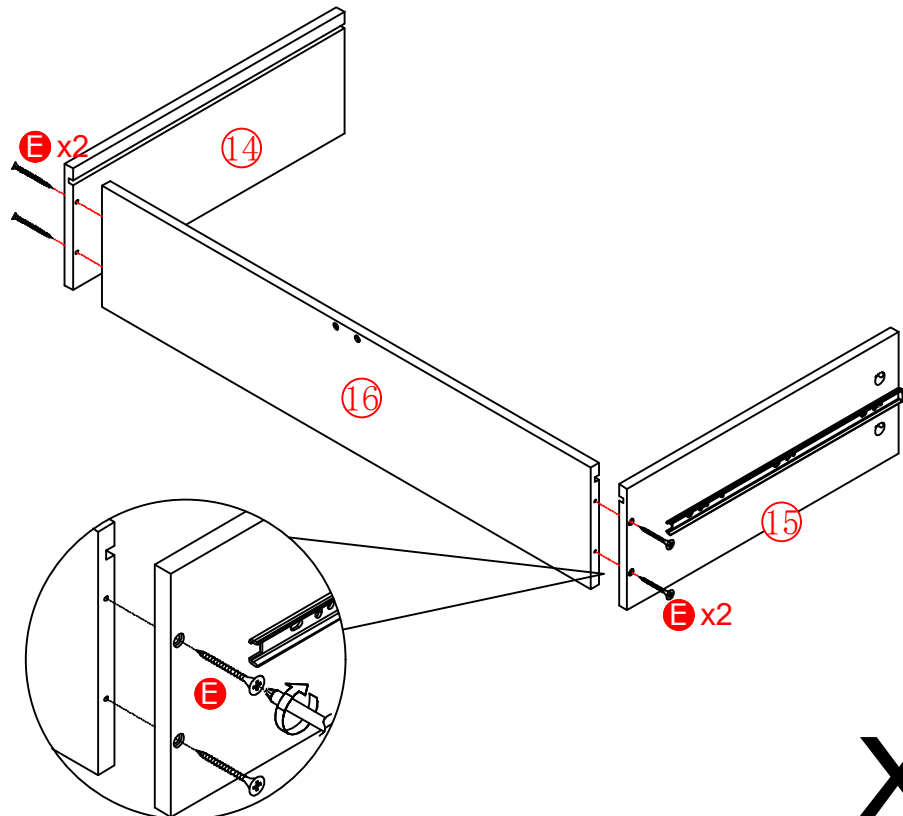


x3

15



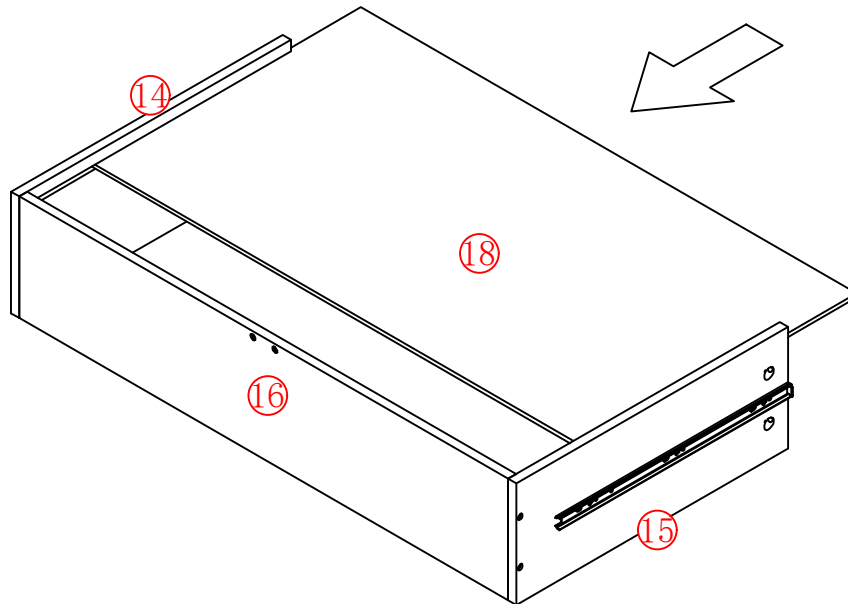
As shown in the picture, connect parts 14& 15 and 16 with screws (E).



x3

16

As shown in the figure, insert part 18 into the assembled parts 14 & 15 and 16.



x3

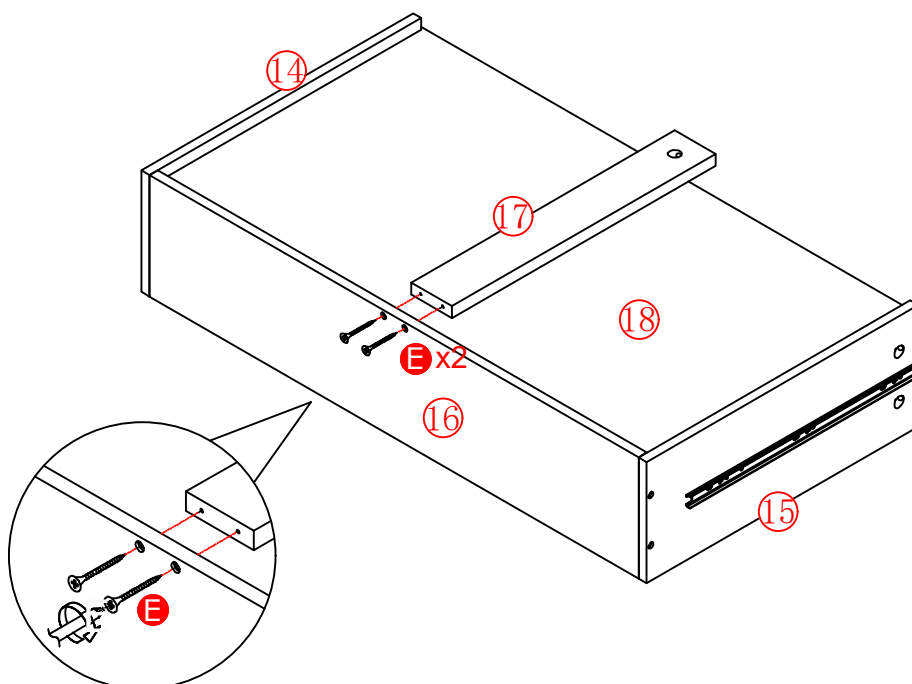
17

E



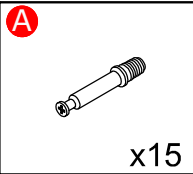
x6

As shown in the picture, connect parts 16 and 17 with screws (E).

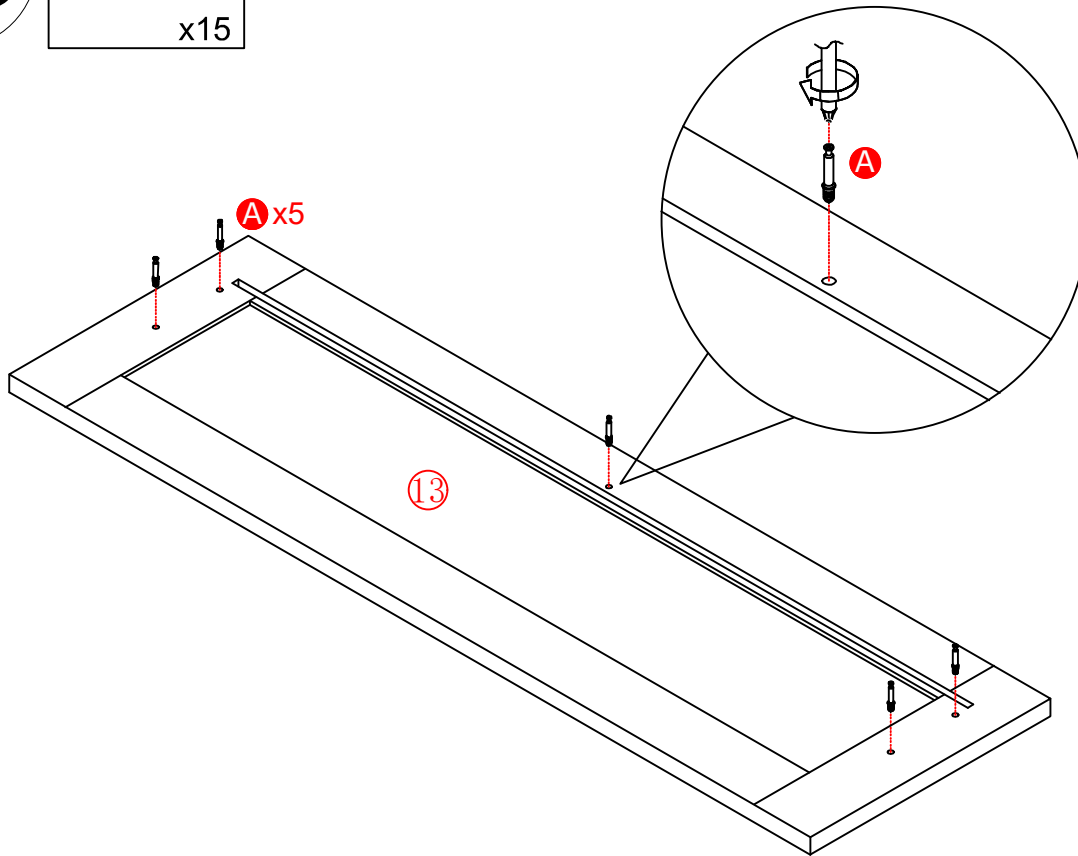


x3

18

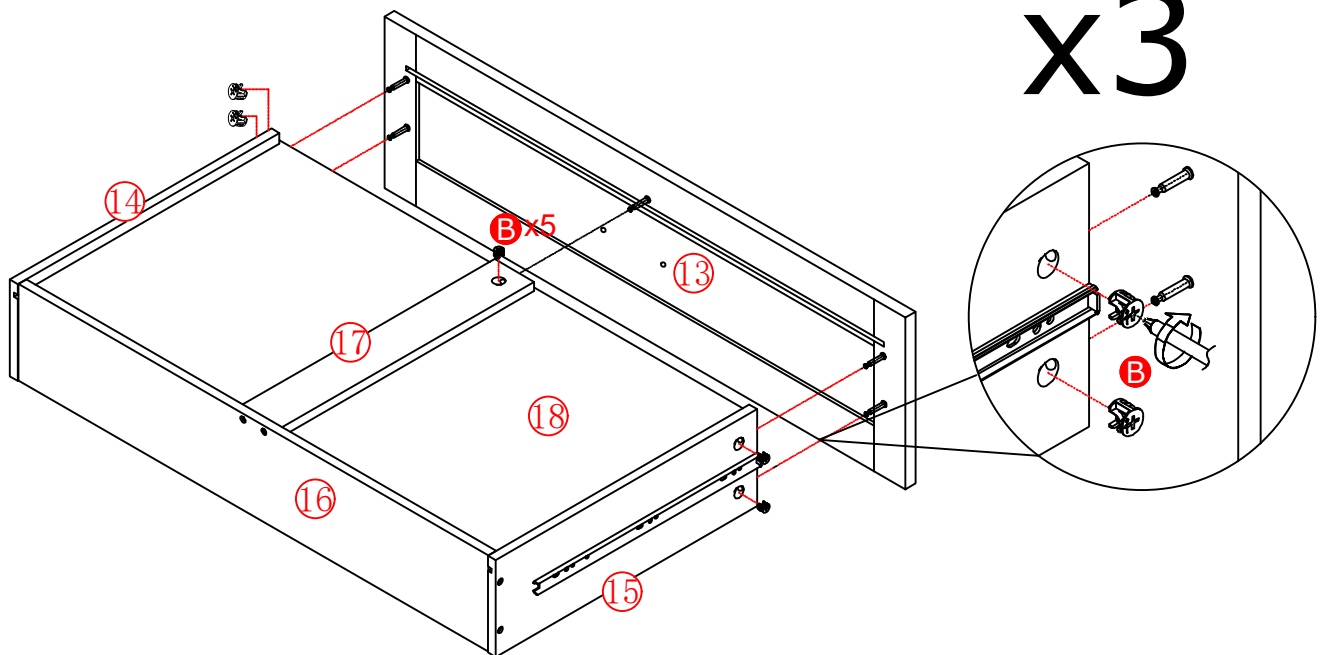
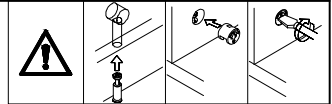
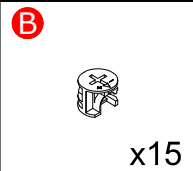


Tighten the screws(A) into the corresponding holes in parts 13, ensuring they are locked vertically.



x3

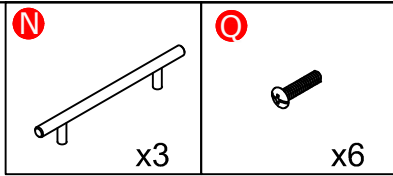
19



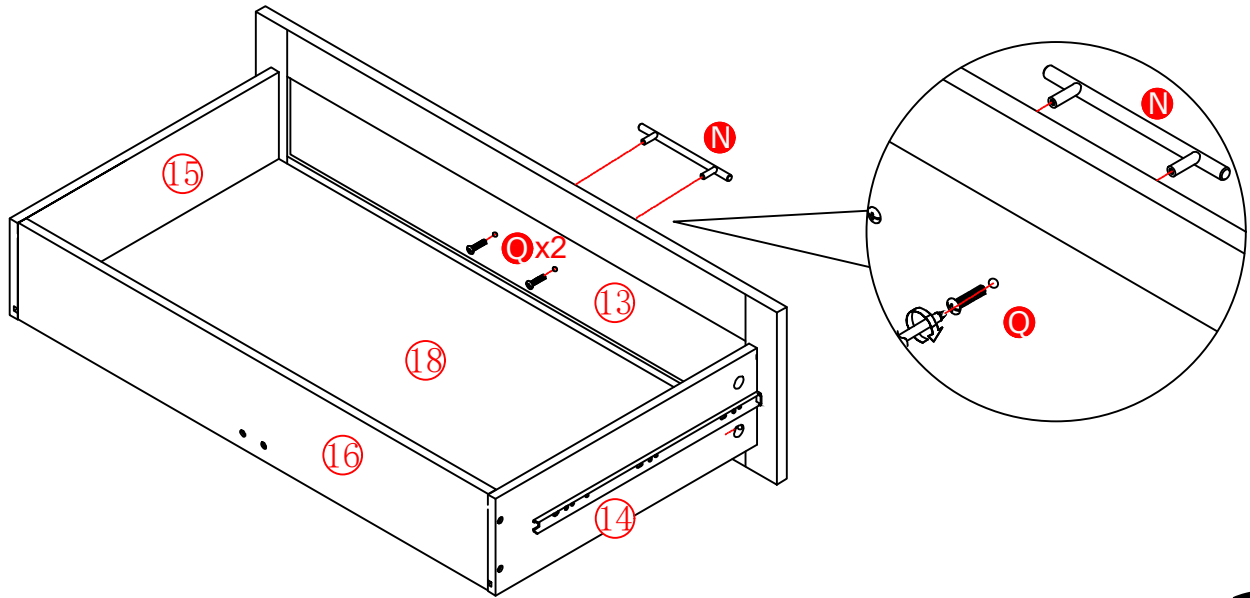
x3

As shown in the figure, part 13 on (A), insert into the corresponding hole, insert the cam locator (B) into the corresponding hole parts 14 & 15, rotate clockwise to fix.

20



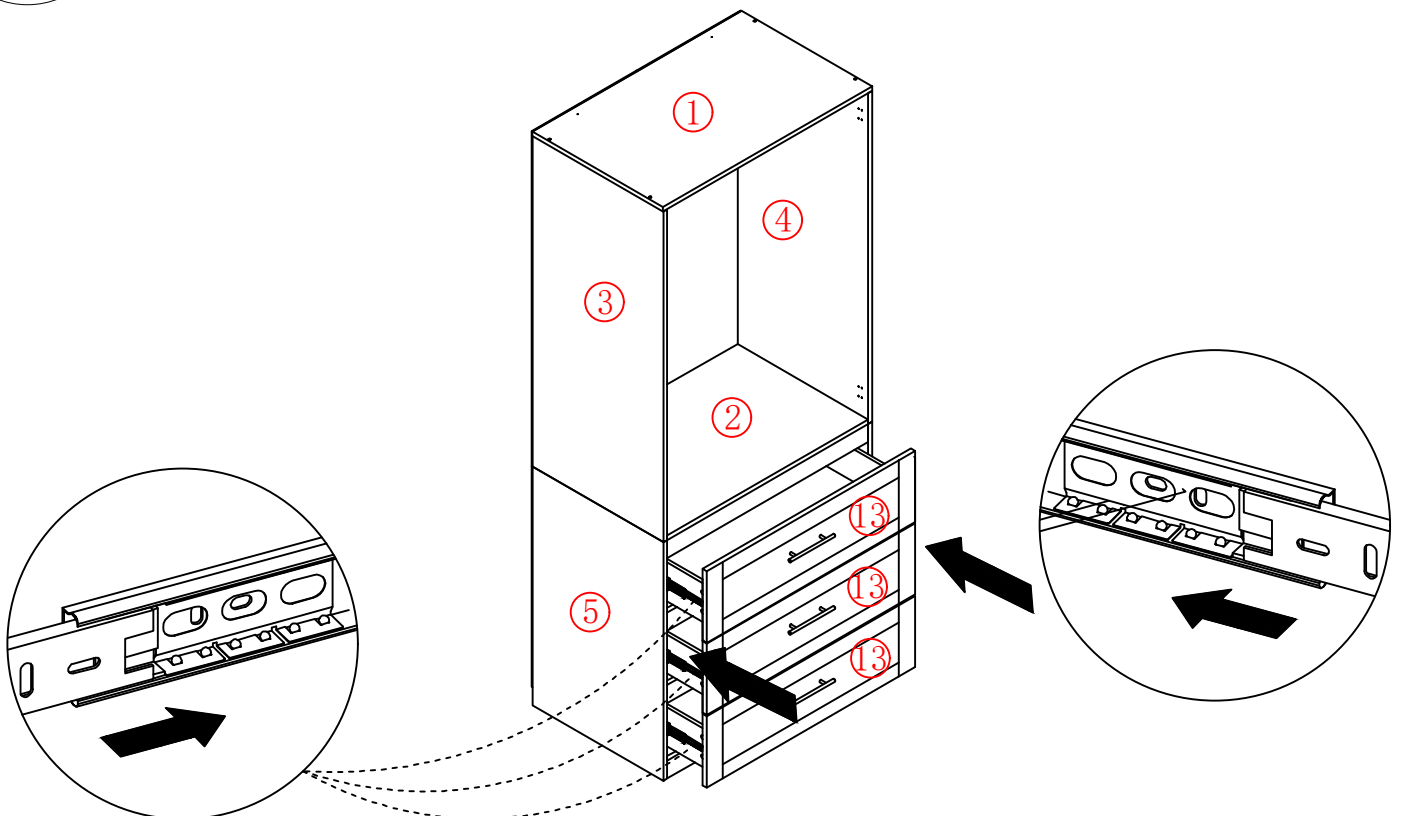
As shown in the figure, pull handle (N) is installed on part 13 with screws (Q).



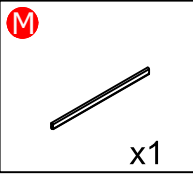
x3

21

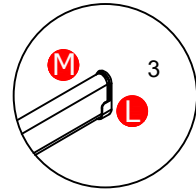
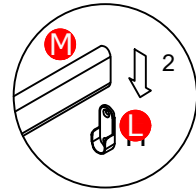
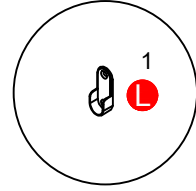
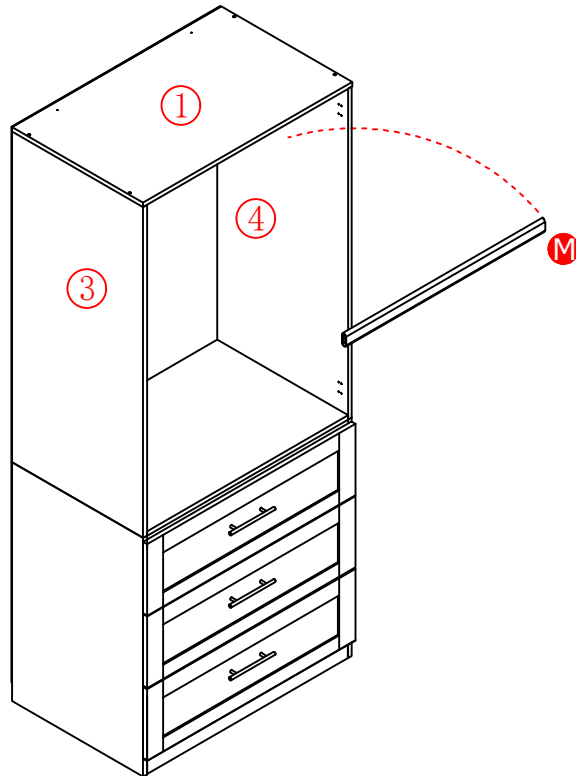
As shown in the picture, Align rails, slide drawers.



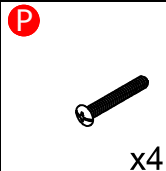
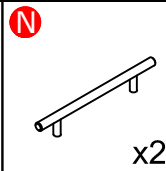
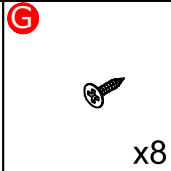
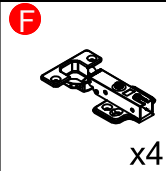
22



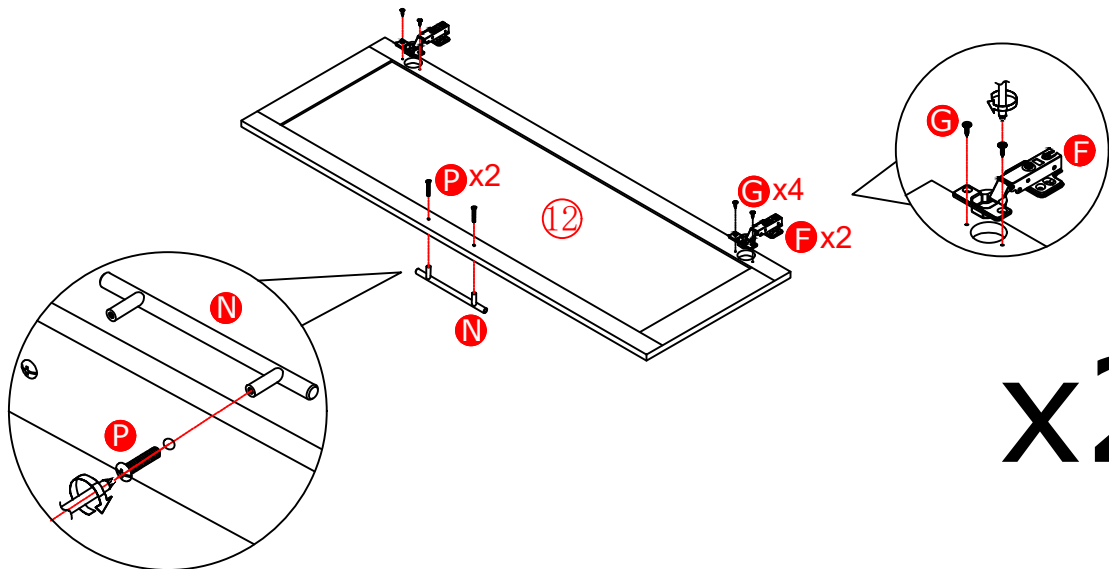
As shown in the picture, install the clothes rod (M) into the cabinet body.



23

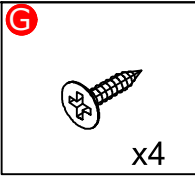


1. As shown in the figure, pull handle (N) is installed on part 12 with screws (P).
2. Attach part(F) to parts 12 using screws (G).

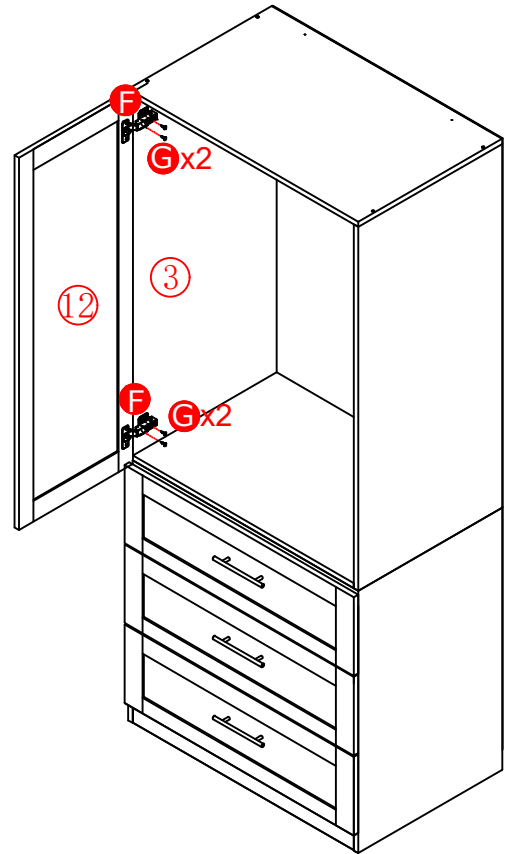
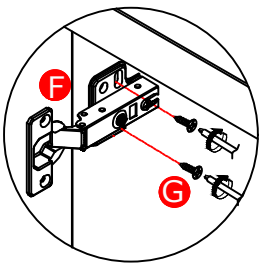


x2

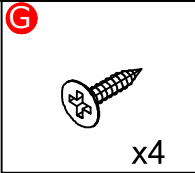
24



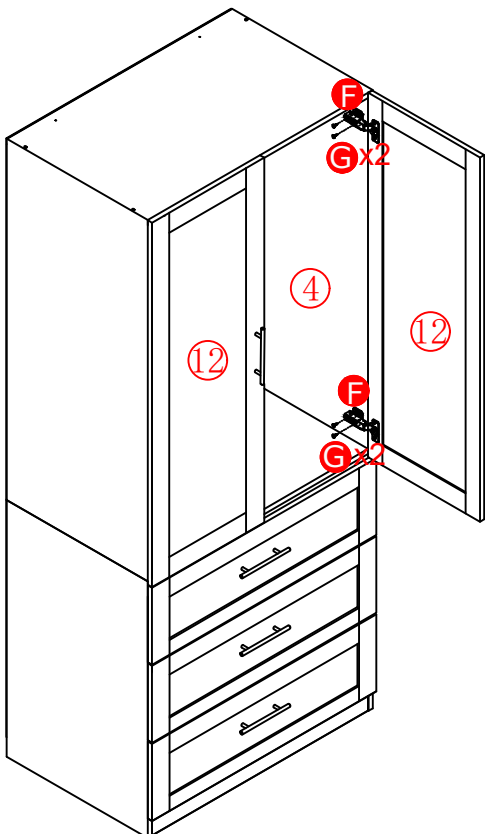
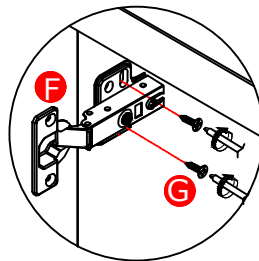
As shown in the figure, use screws (G) to secure part (F) to part 3 through the long slots. Do not tighten the screws until all of them are properly placed. Do not install the screws in the round holes yet; install them after adjusting the cabinet doors properly.



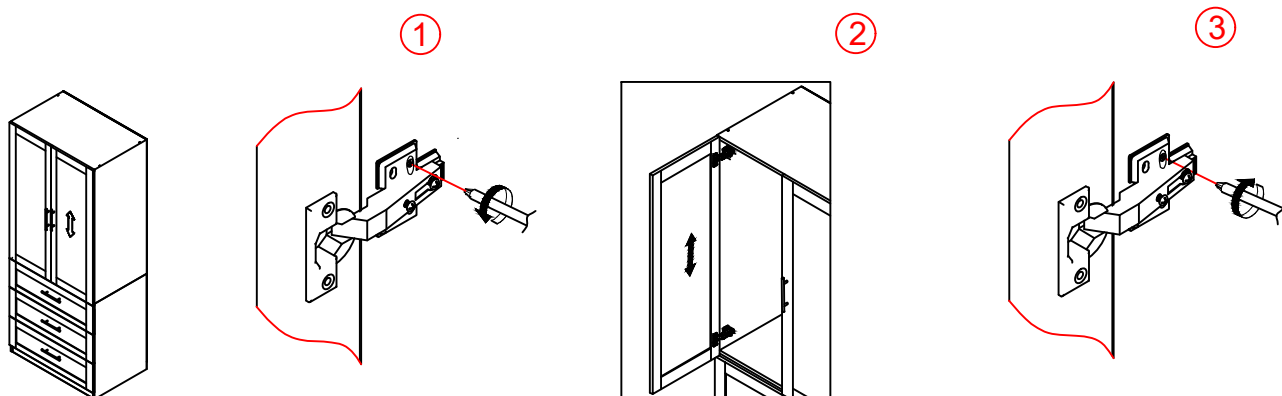
25



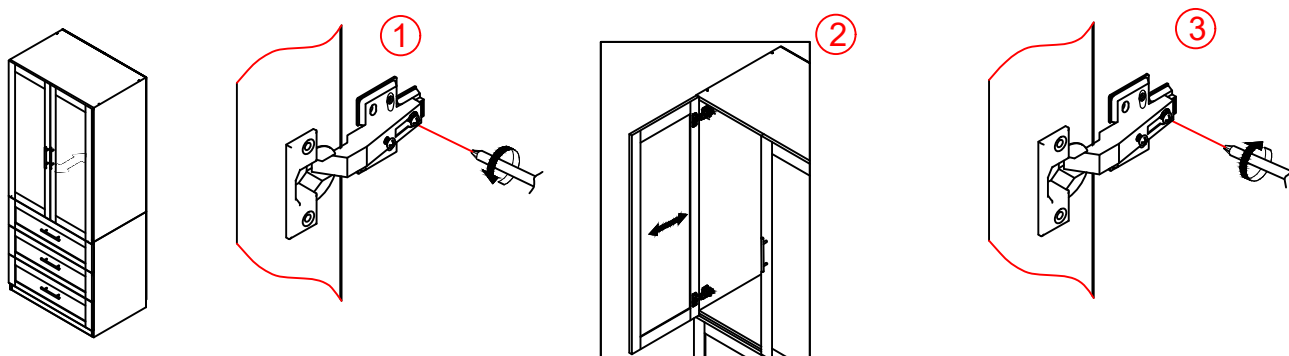
As shown in the figure, use screws (G) to secure part (F) to part 4 through the long slots. Do not tighten the screws until all of them are properly placed. Do not install the screws in the round holes yet; install them after adjusting the cabinet doors properly.



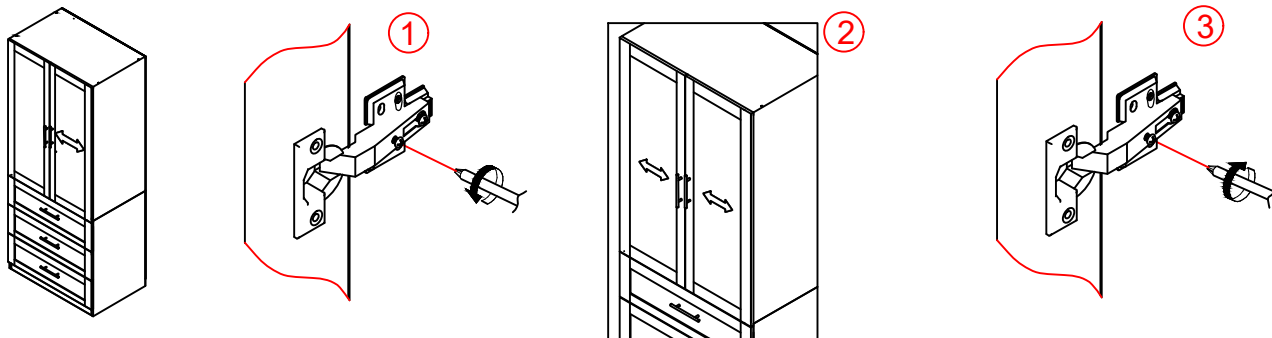
When the clearance of the door is uneven, adjust the cabinet door according to the figure. If you still have trouble adjusting the door, please contact us.



Up and down adjustment by loosening the screw on the mounting plate.

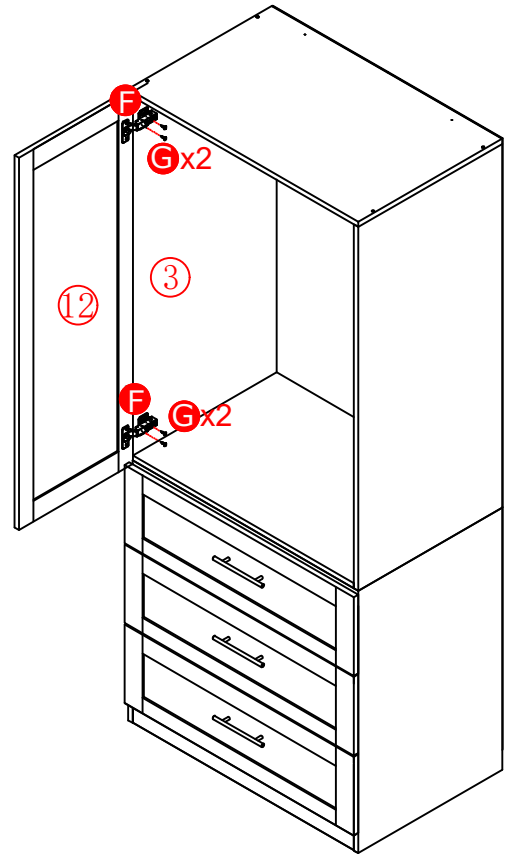
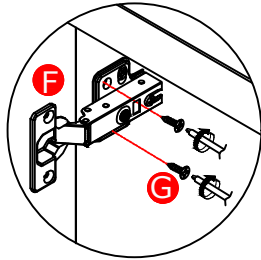
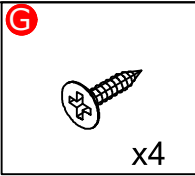


In-and-out adjustment by loosening the screws on the hinge arm.



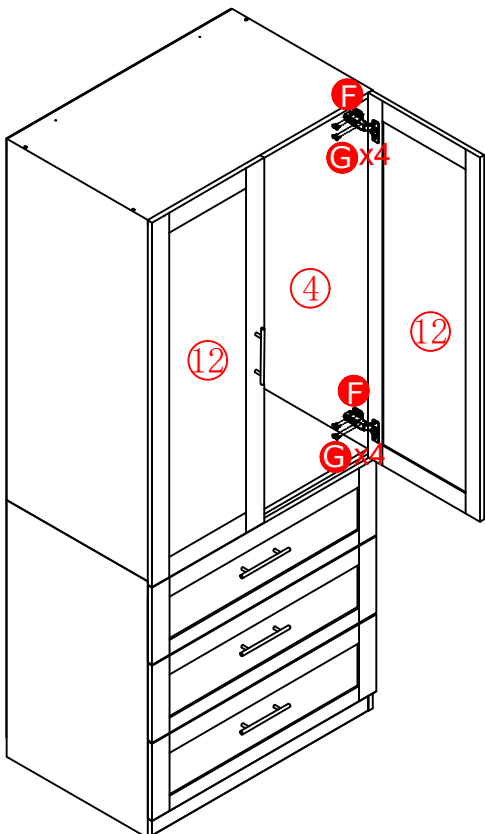
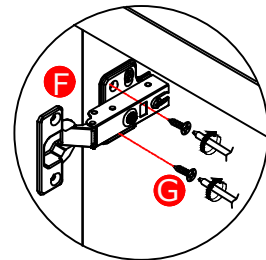
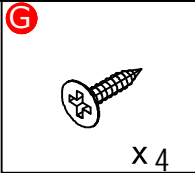
Side-to-side adjustment using the front adjustment screw on the hinge.

24



After adjusting, use screws (G) to secure part (F) to part 3 through the round holes in part (F) for added stability.

25



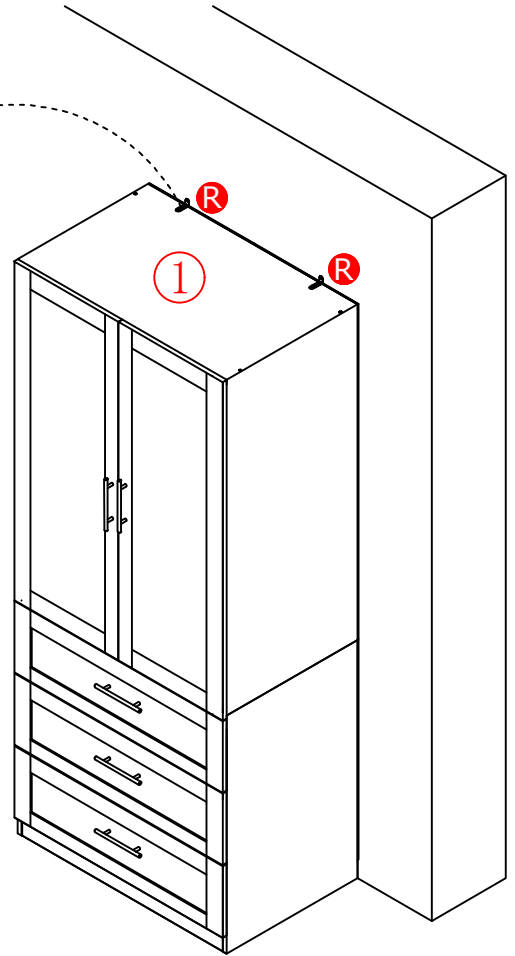
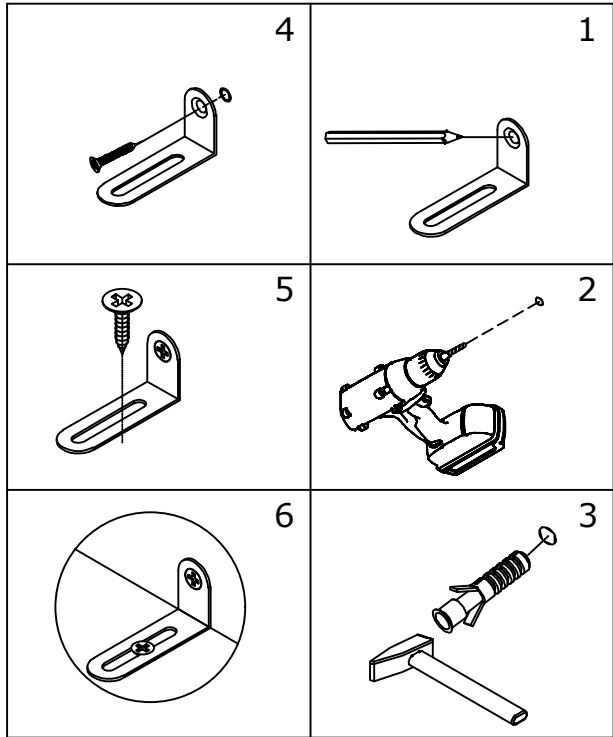
After adjusting, use screws (G) to secure part (F) to part 4 through the round holes in part (F) for added stability.

26

R



Fasten the cabinet to the wall with hardware as shown to prevent it from toppling over.



WARRANTY

WARRANTY CLAIMS

- There is a 30-day warranty for broken furniture or any other problems that cause improper function. The warranty starts from the date of purchase and requires proof of purchase.
- The product must be used in accordance with the provided instructions.
- For other reasons, if the furniture needs to be returned, it must be cleaned, dried, and operated within 30 days of receipt.

Type of Warranty Claim

- Failure to follow the furniture instructions will invalidate the warranty. Please note, the warranty does not cover damage during installation, but does cover damage incurred during transportation.

Scope of Responsibility

- We are not responsible for misuse, user damage, or loss of parts during the installation of the furniture. Additionally, any damage or scratches incurred after use are not covered by the warranty.

WARRANTY CLAIMS

- The warranty for products purchased in the U.S. covers the following areas:
- Sheet parts: 1 month from the date of purchase.
- Electrical parts: 1 month from the date of purchase.

RETURNS

Changed your mind and need to return your item?

Please follow the instructions below:

- If you have purchased the item and simply changed your mind, please follow the retailer's return instructions.

DEFECTIVE ITEMS

- If your item is defective in any way, meaning it doesn't work but you cannot identify the cause, please first consult our FAQ section as there may be a simple solution to the issue.

DAMAGED ITEMS

- If you receive an order with obvious shipping damage, we suggest refusing the delivery. If the delivery has already been accepted and you later find shipping damage, please follow the specific instructions provided by the retailer.
- In all cases, please keep all packaging materials and paperwork related to the order.
- Please be aware that if you dispose of packaging materials or attempt to return the item without contacting the retailer, you may risk losing your chance to file a claim, and you may not receive credit for the return.