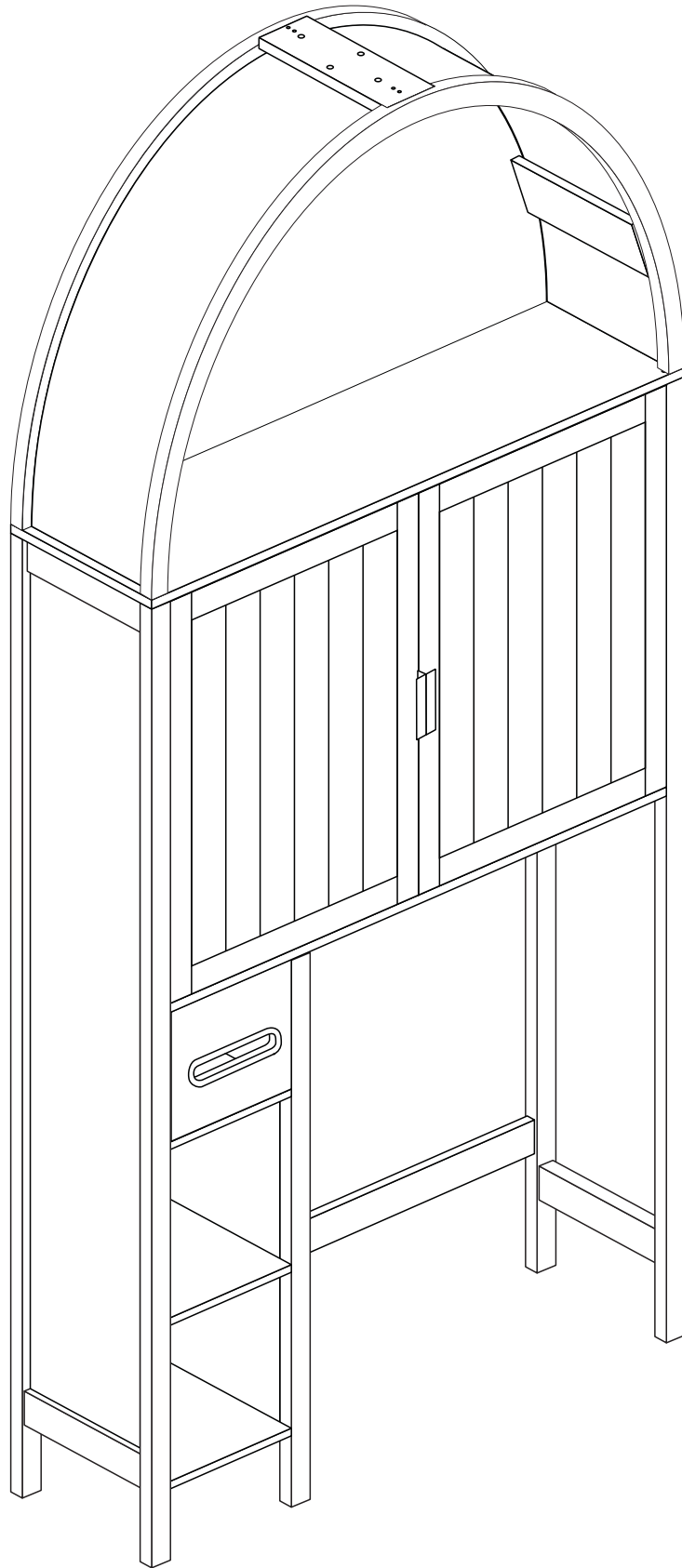
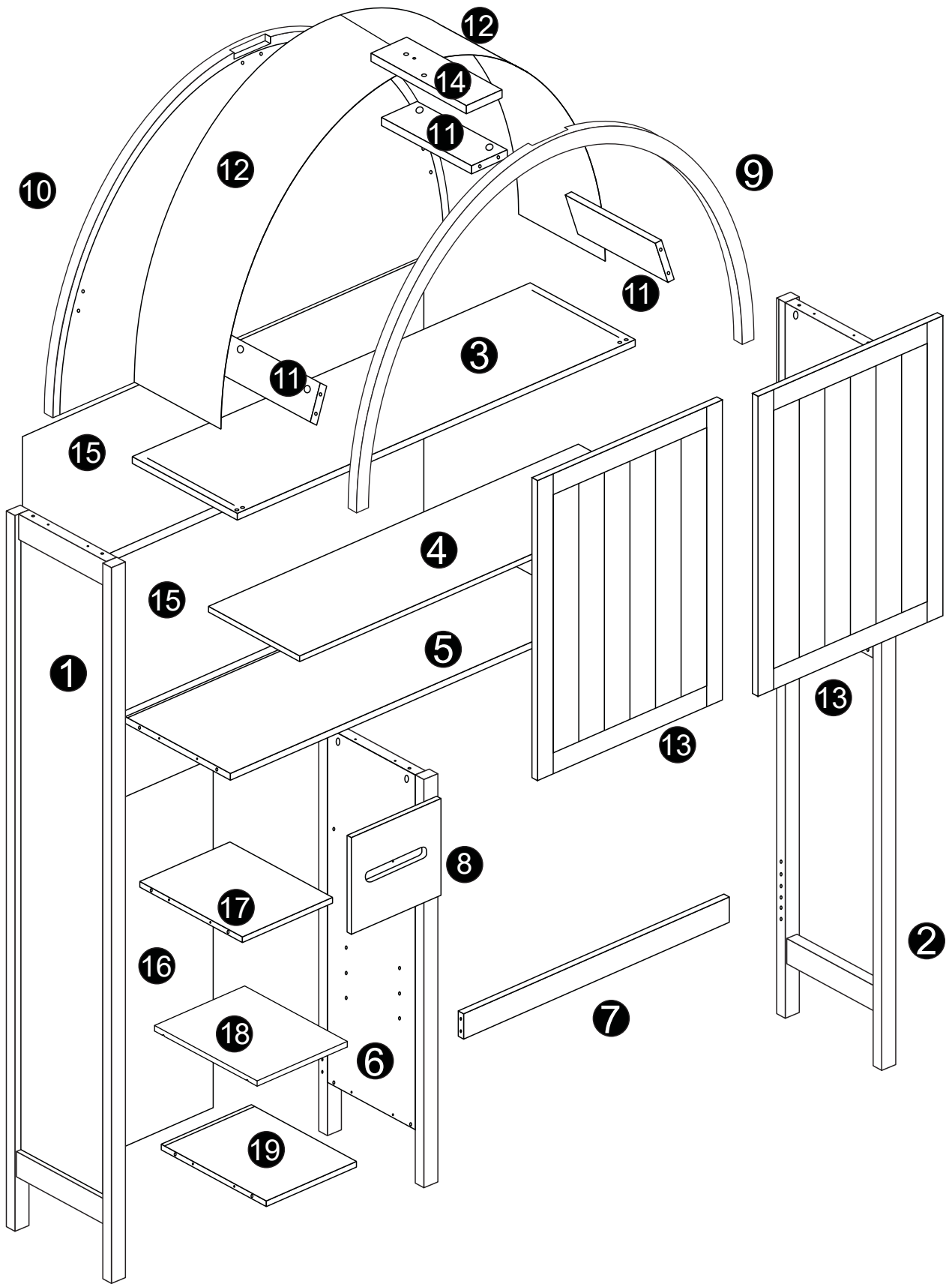


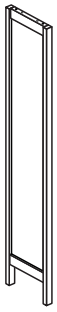
Assembly Instruction

Over-the-Toilet Storage Cabinet

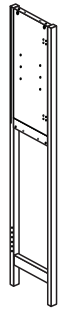
MT006-3171-Natural Oak



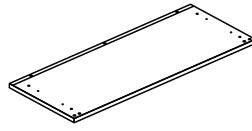




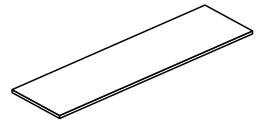
1 x1



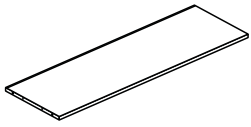
2 x1



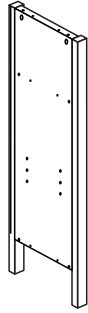
3 x1



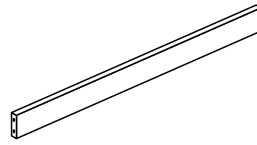
4 x1



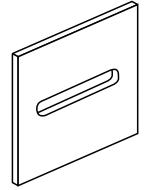
5 x1



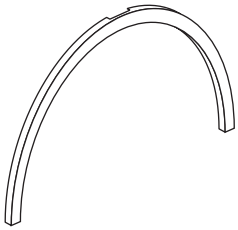
6 x1



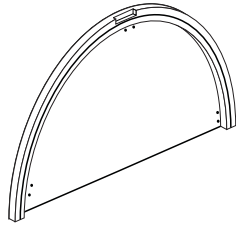
7 x1



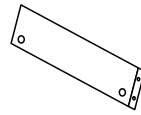
8 x1



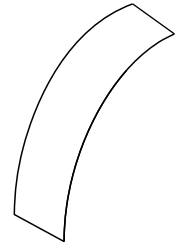
9 x1



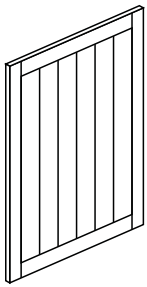
10 x1



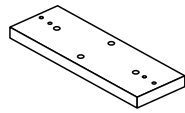
11 x3



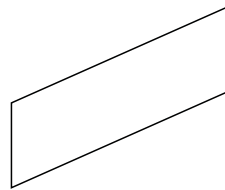
12 x2



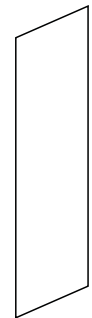
13 x2



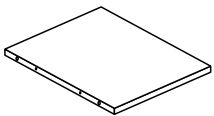
14 x1



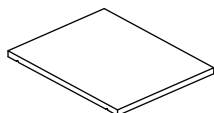
15 x2



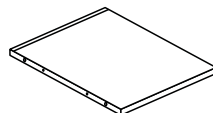
16 x1



17 x1



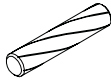

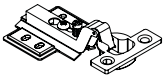
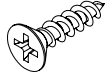

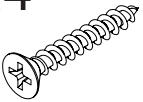
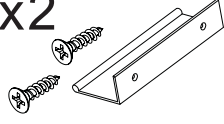
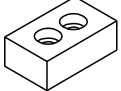
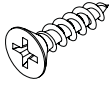
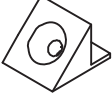
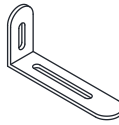
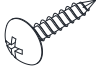
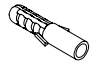

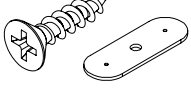
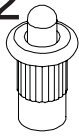
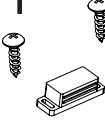

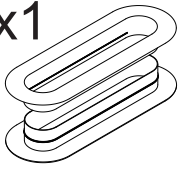
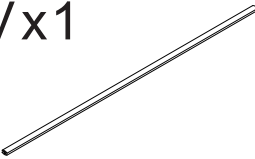

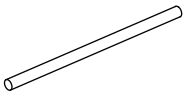


18 x1

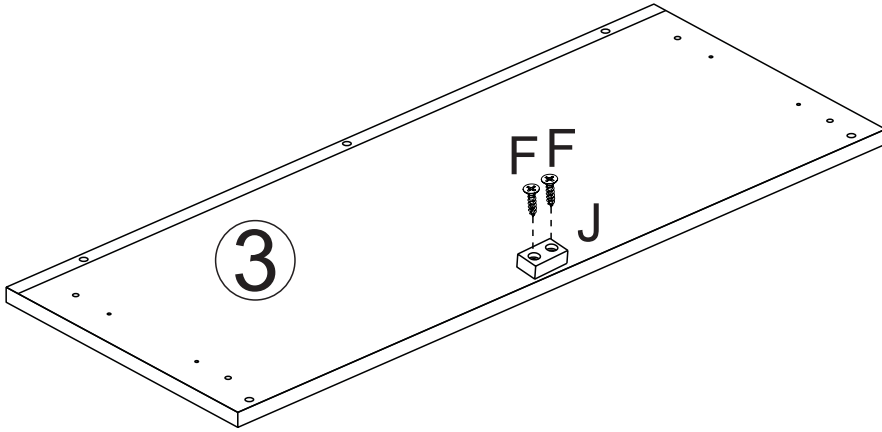
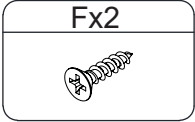
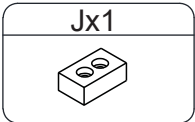


19 x1

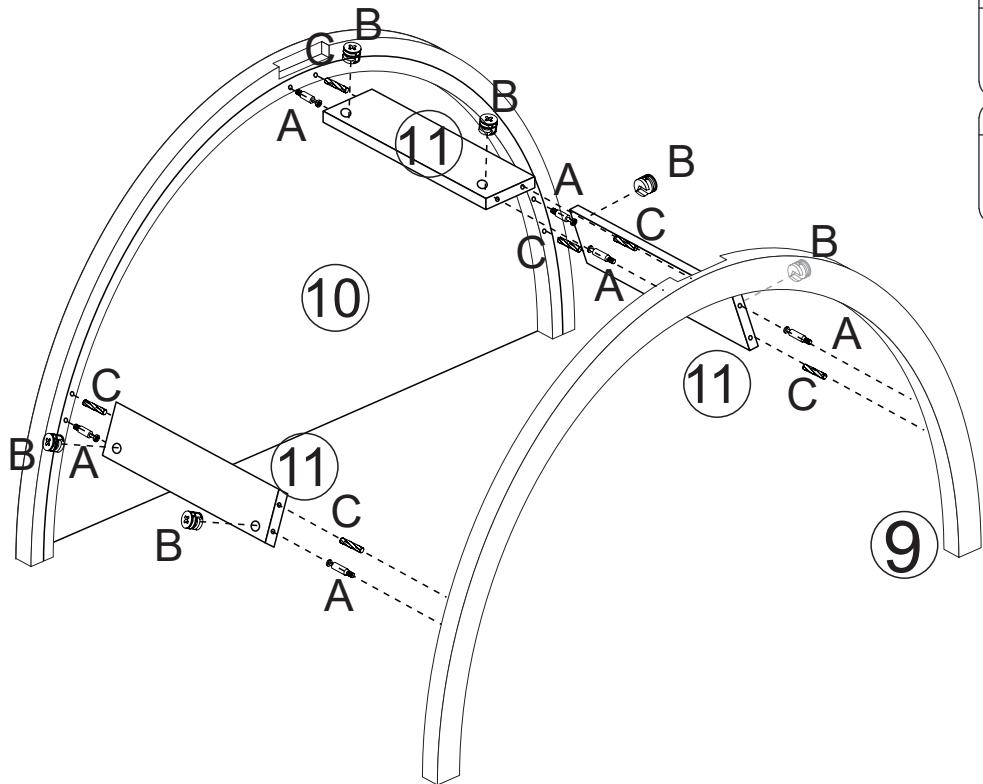
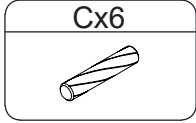
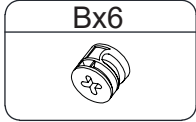
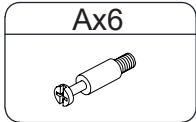
HARDWARES LIST

<p>Ax28</p>  <p>MM6x36</p>	<p>Bx28</p>  <p>MM15x10</p>	<p>Cx28</p>  <p>MM5.8x30</p>	<p>Dx7</p>  <p>MM4x35</p>	<p>Ex4</p> 
<p>Fx14</p>  <p>MM3x16</p>	<p>Gx8</p> 	<p>Hx4</p>  <p>MM4x25</p>	<p>Ix2</p>  <p>MM3x12</p>	<p>Jx1</p> 
<p>Kx24</p>  <p>MM4x14</p>	<p>Lx12</p> 	<p>Mx2</p> 	<p>Nx4</p>  <p>MM4x14</p>	<p>Ox2</p> 
<p>Px6</p> 	<p>Qx1</p>  <p>MM3x12</p>	<p>Rx2</p> 	<p>Sx1</p>  <p>MM3x16</p>	<p>Tx2</p>  <p>MM3x12</p>
<p>Ux1</p> 	<p>Vx1</p> 	<p>Wx22</p> 	<p>X x1</p> 	



1

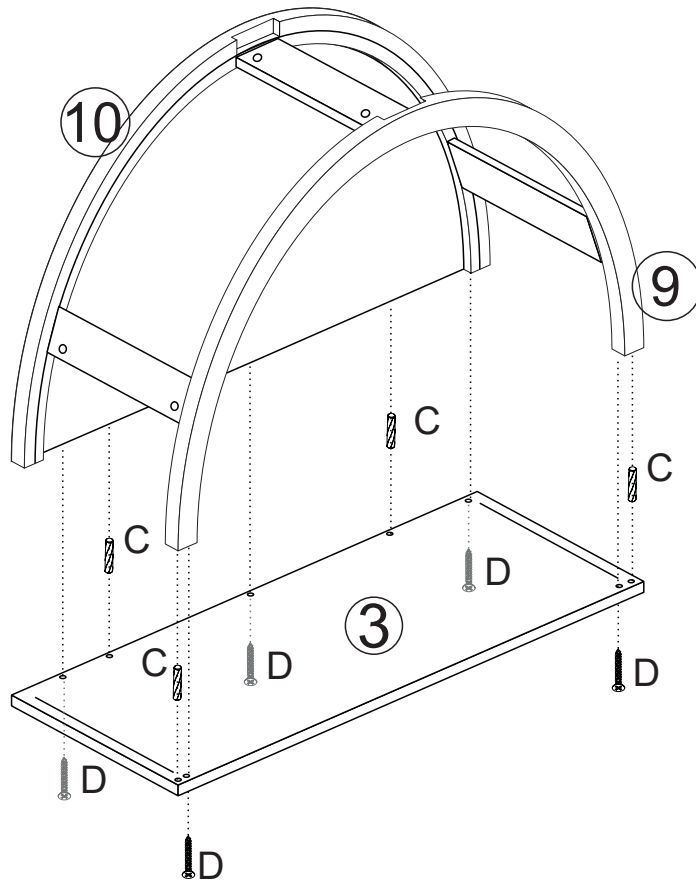


2

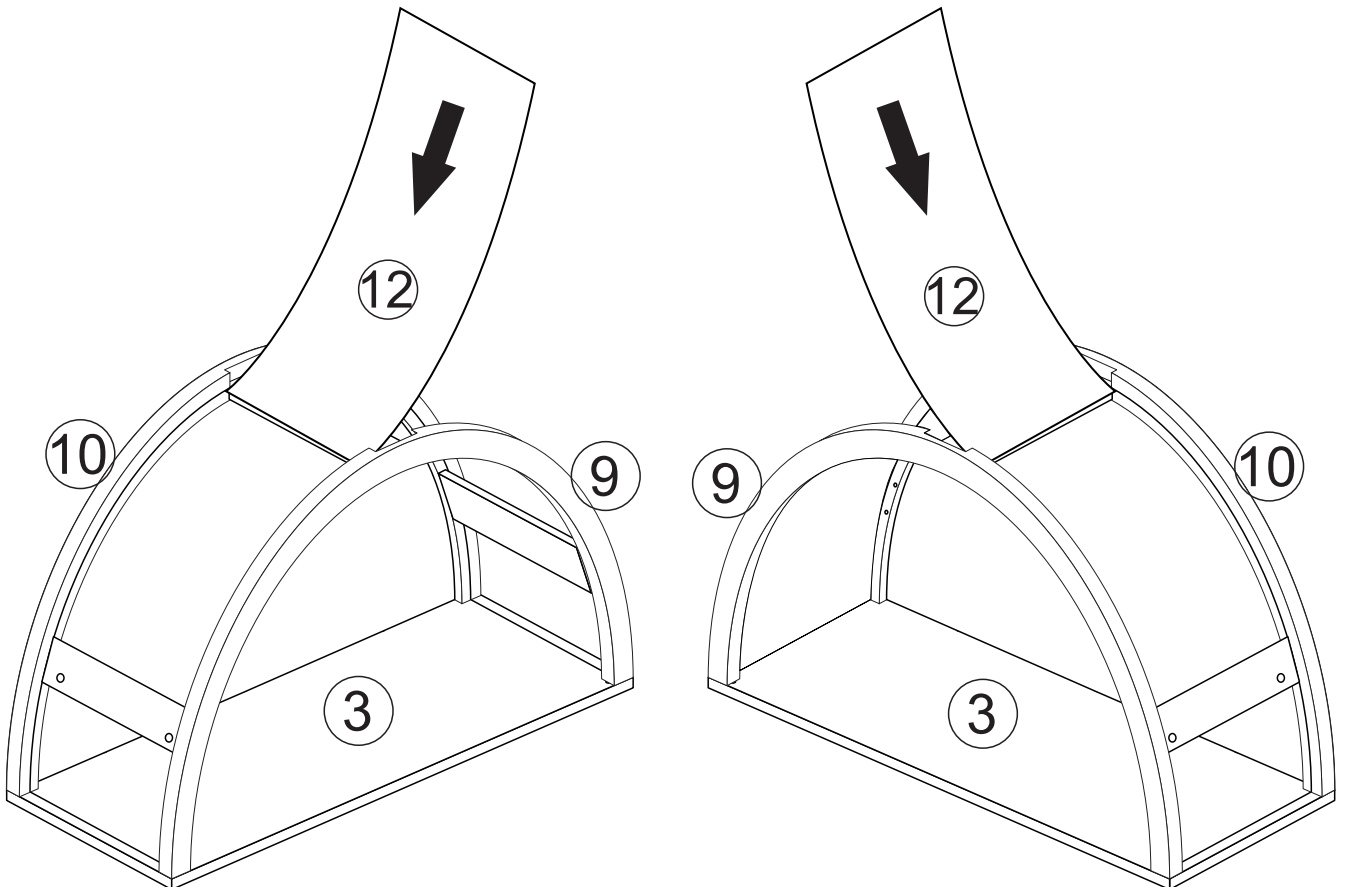


3

Cx4

Dx5


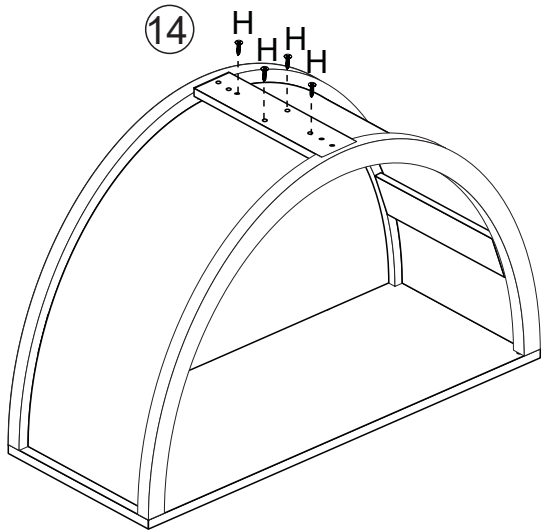


4



5

Hx4



6

Mx1



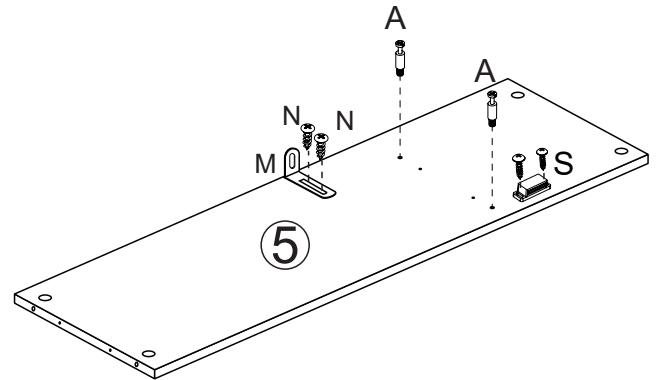
Nx2



Sx1



Ax2



7

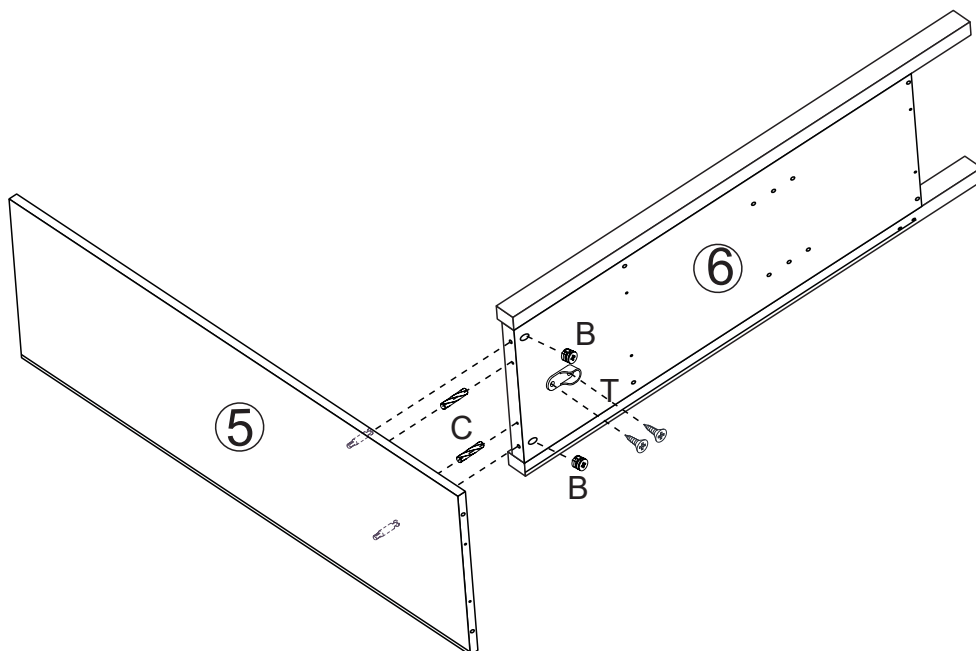
Bx2



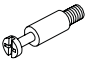

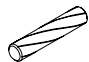
Cx2

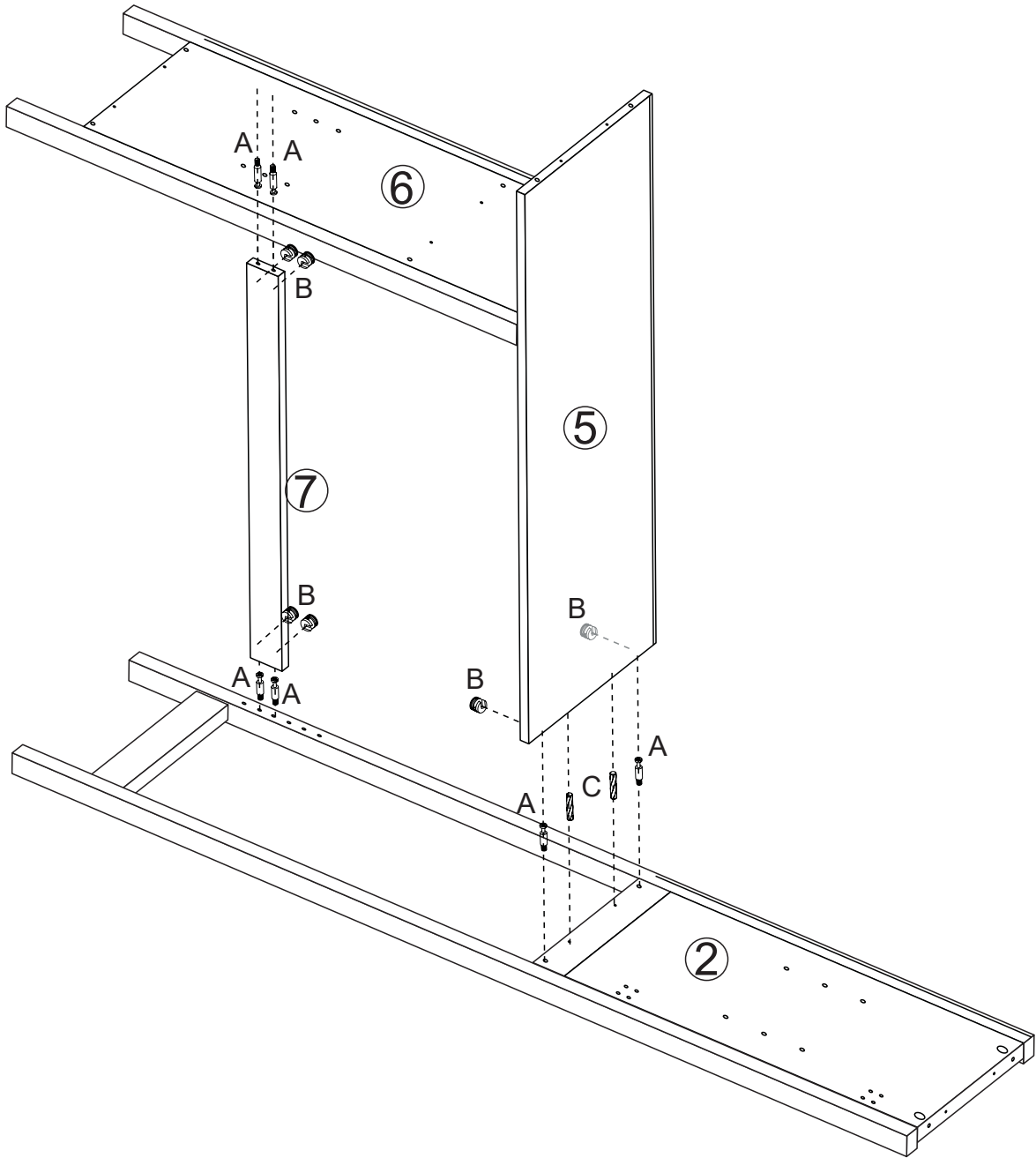


Tx1



8

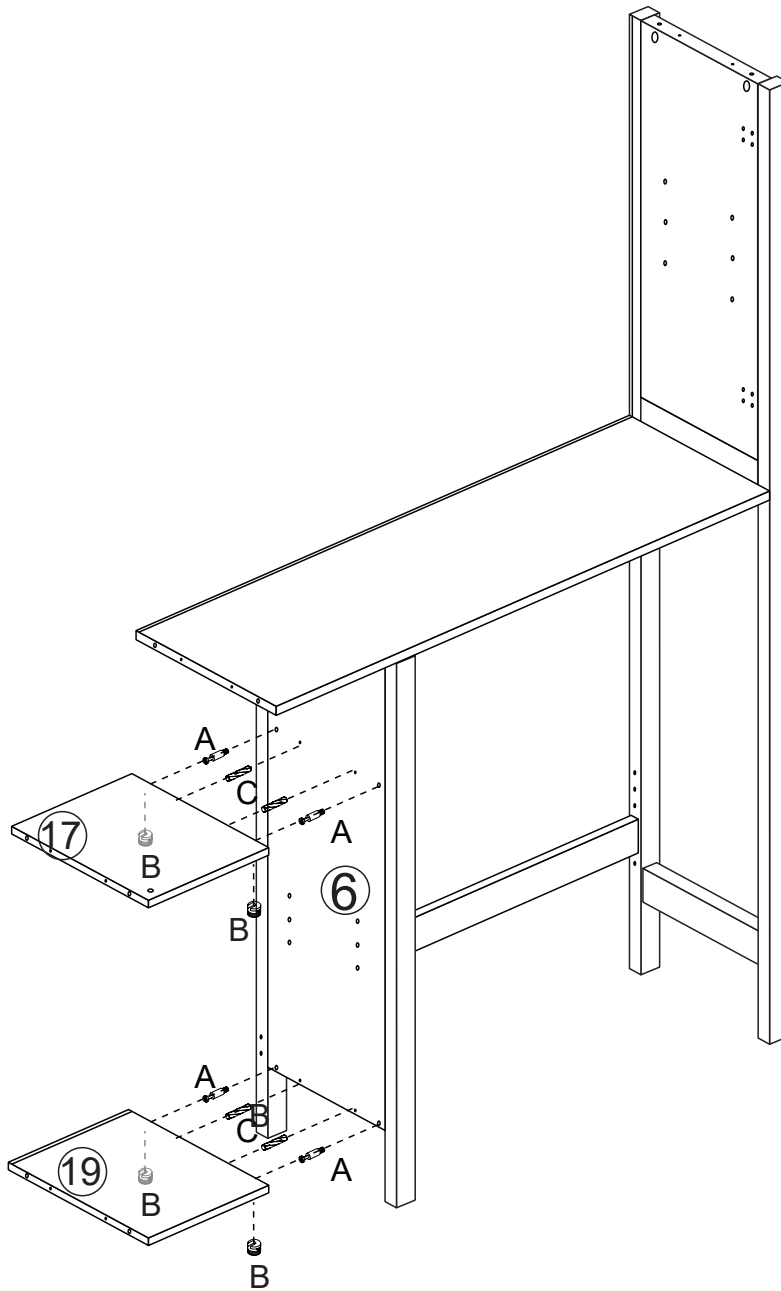
Ax6

Bx6

Cx2




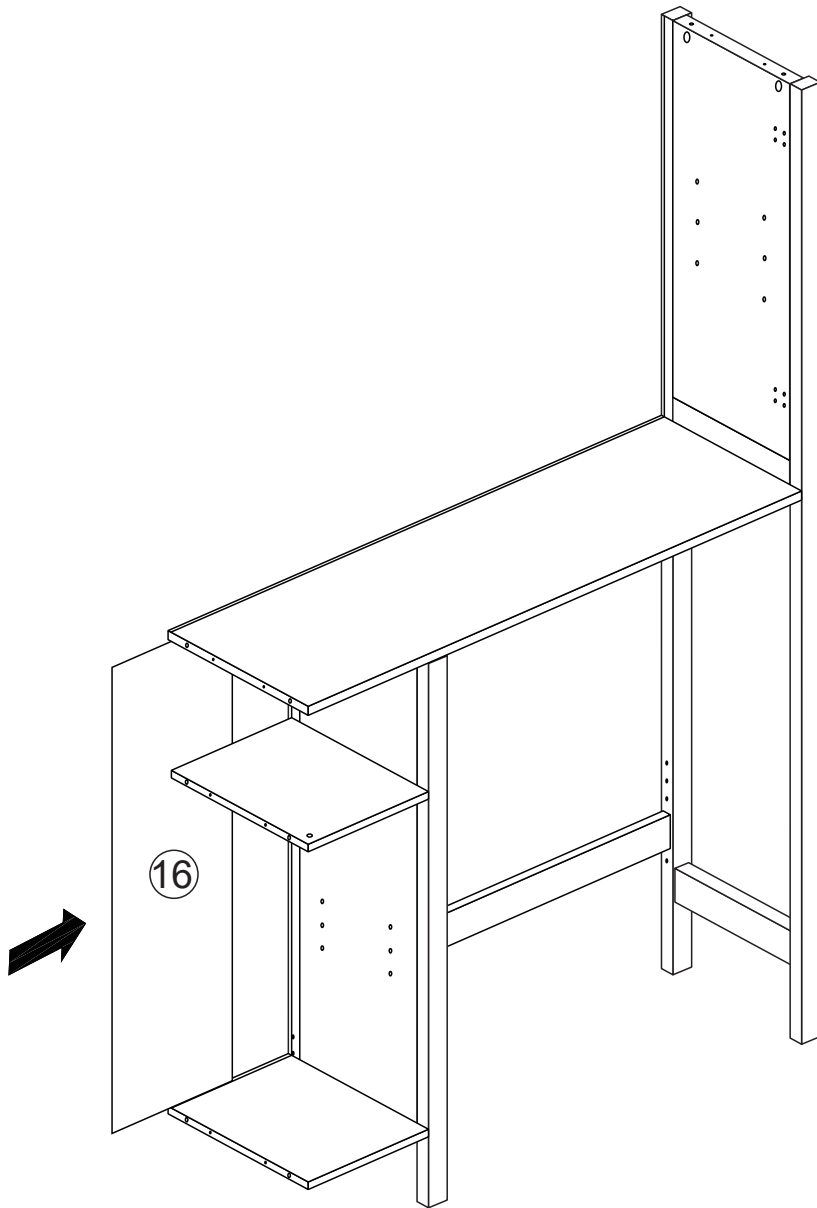
Please determine the appropriate height for ⑦ board based on the toilet's shape and height, and then install these four Screws A and B .

9

Ax4
Bx4
Cx4



10

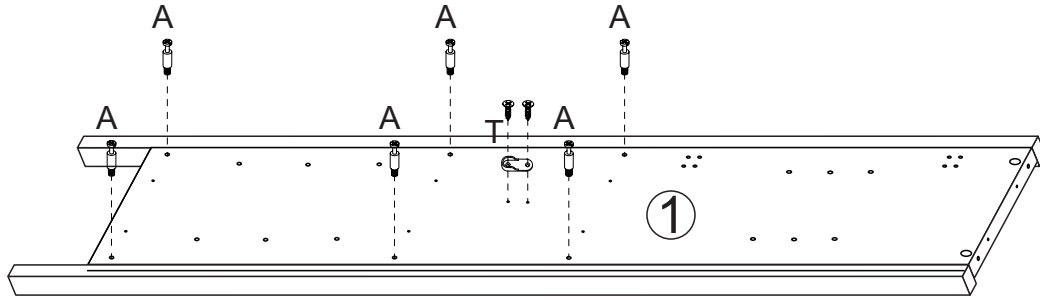


11

Ax6



Tx1

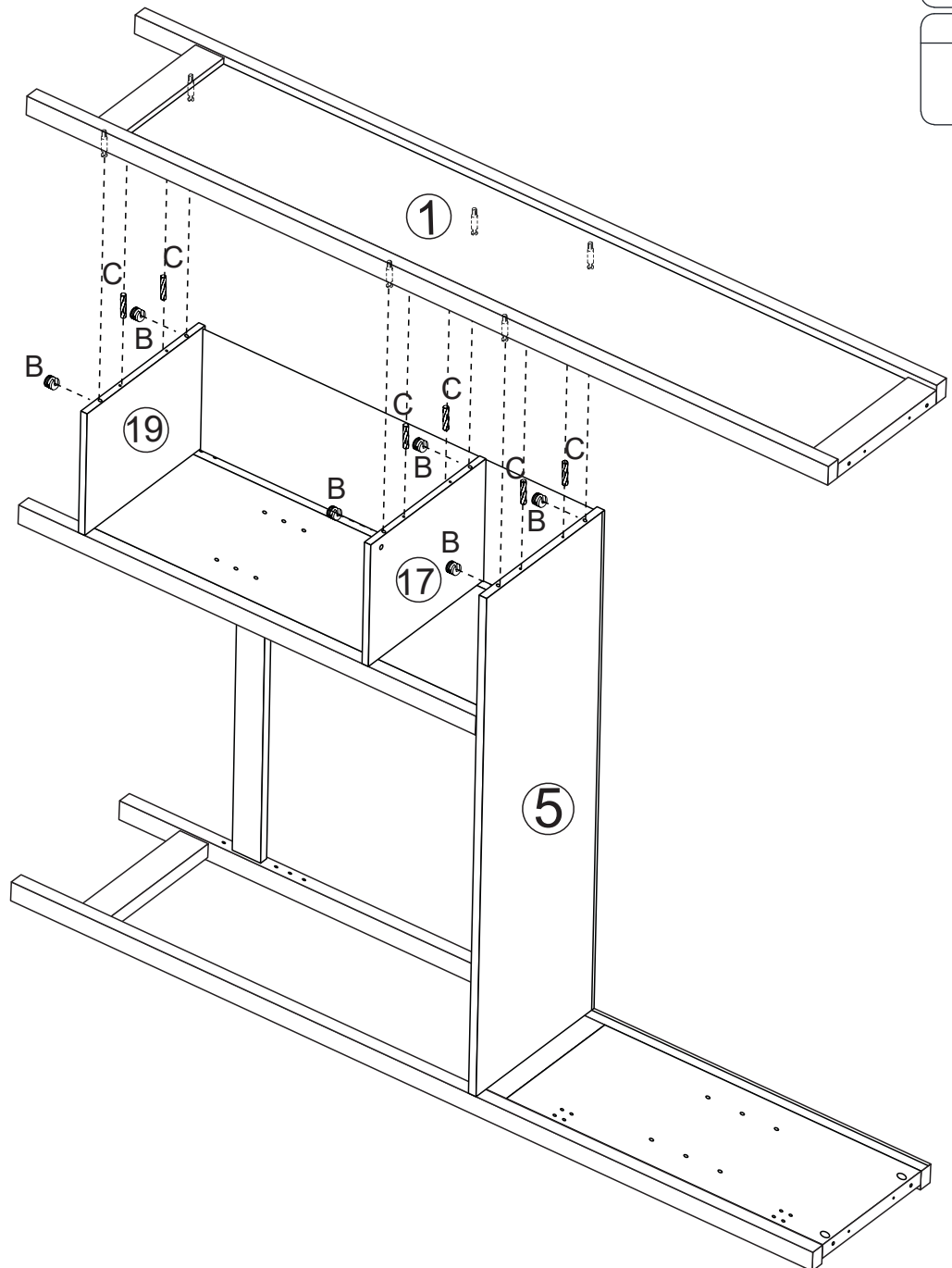


12

Bx6

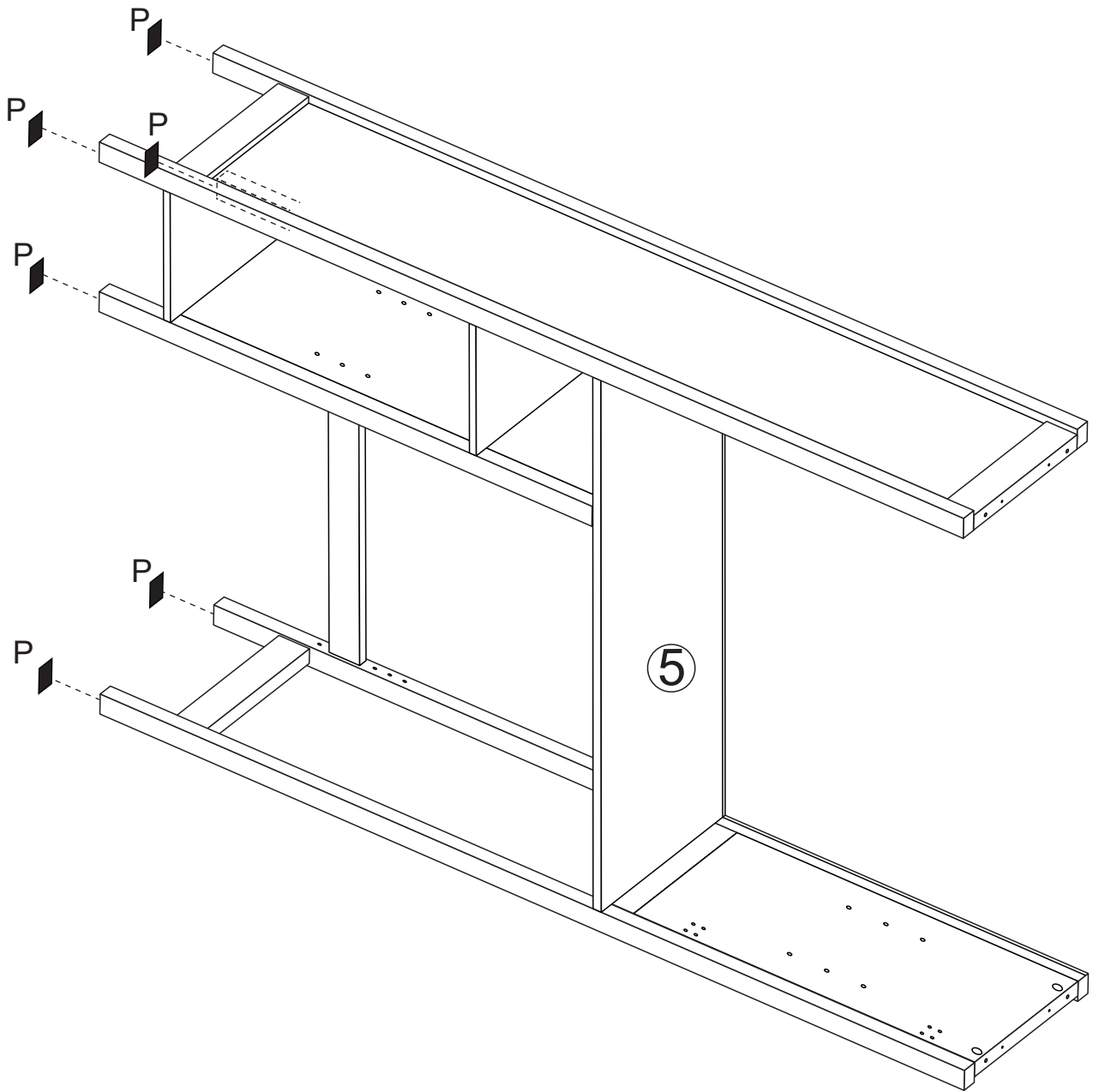


Cx6



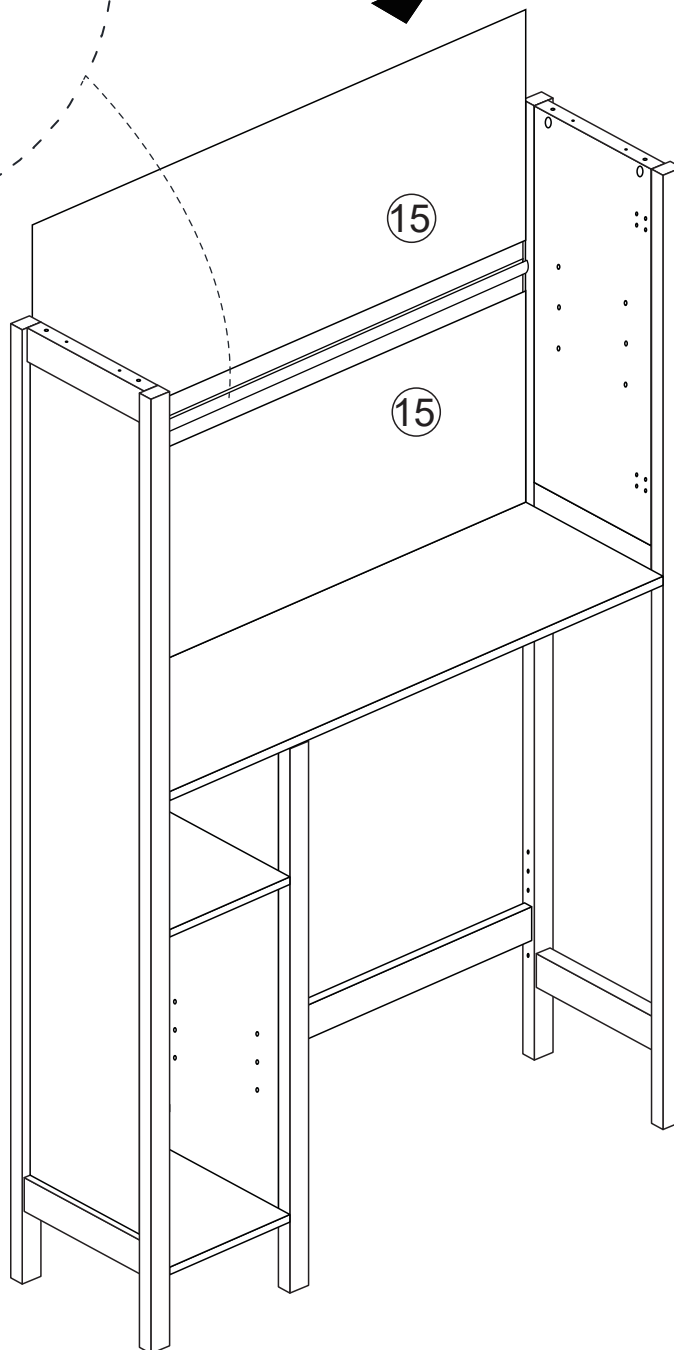
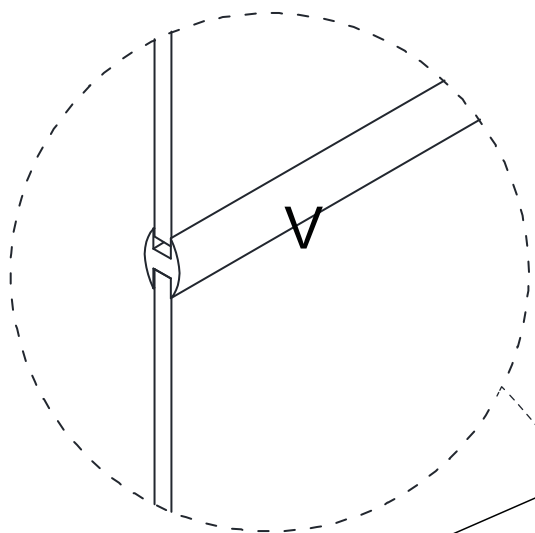
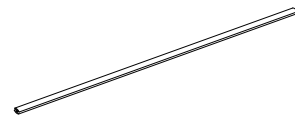
13

Px6

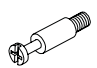




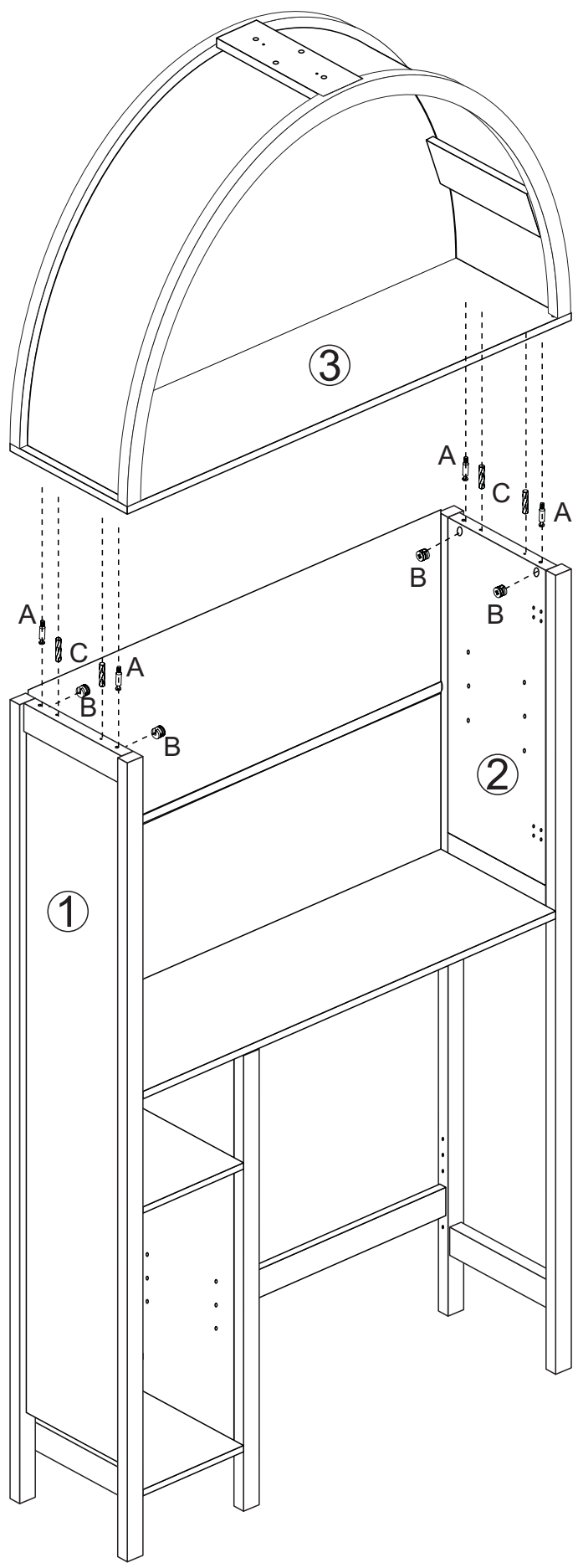
14

Vx1



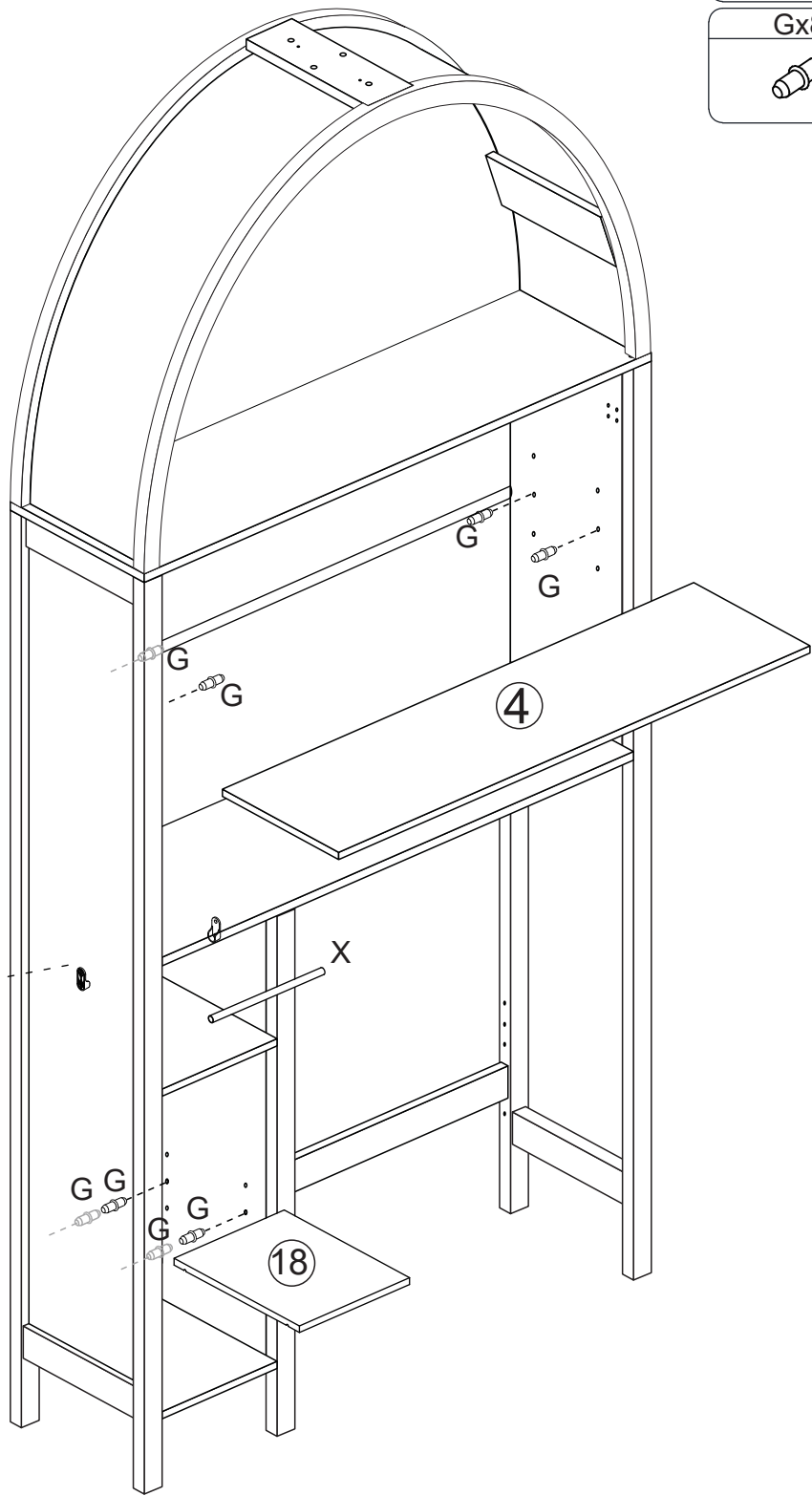
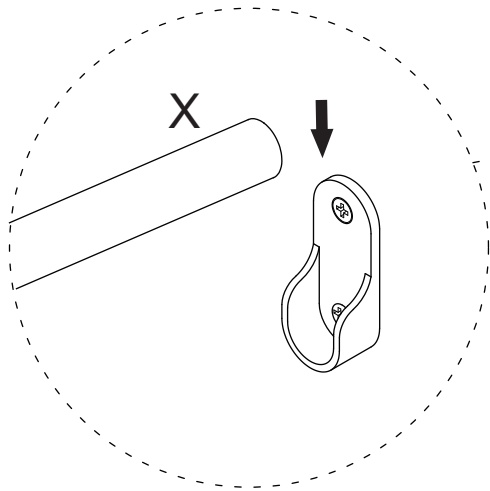
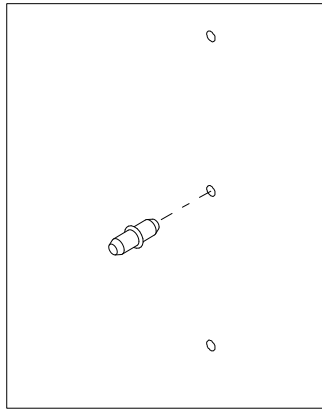
15



- Ax4 
- Bx4 
- Cx4 

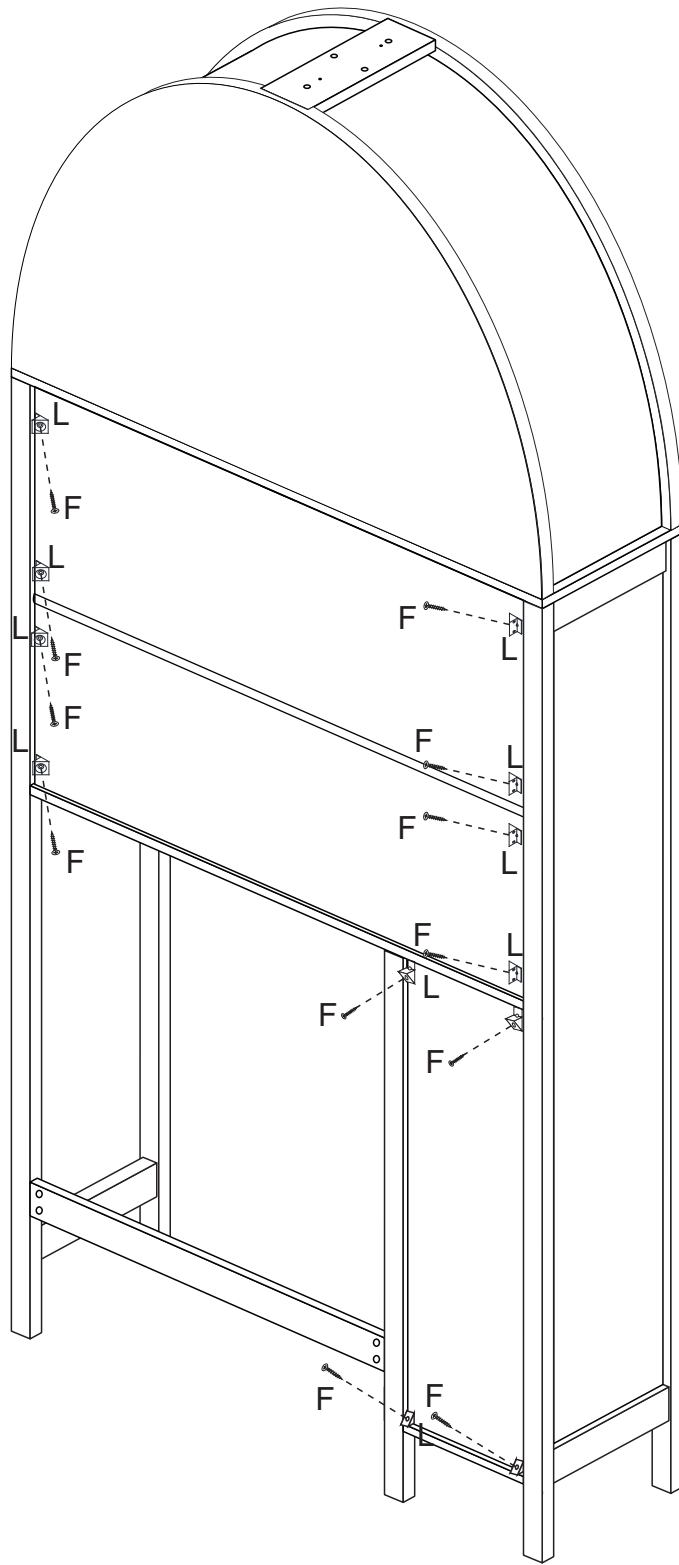


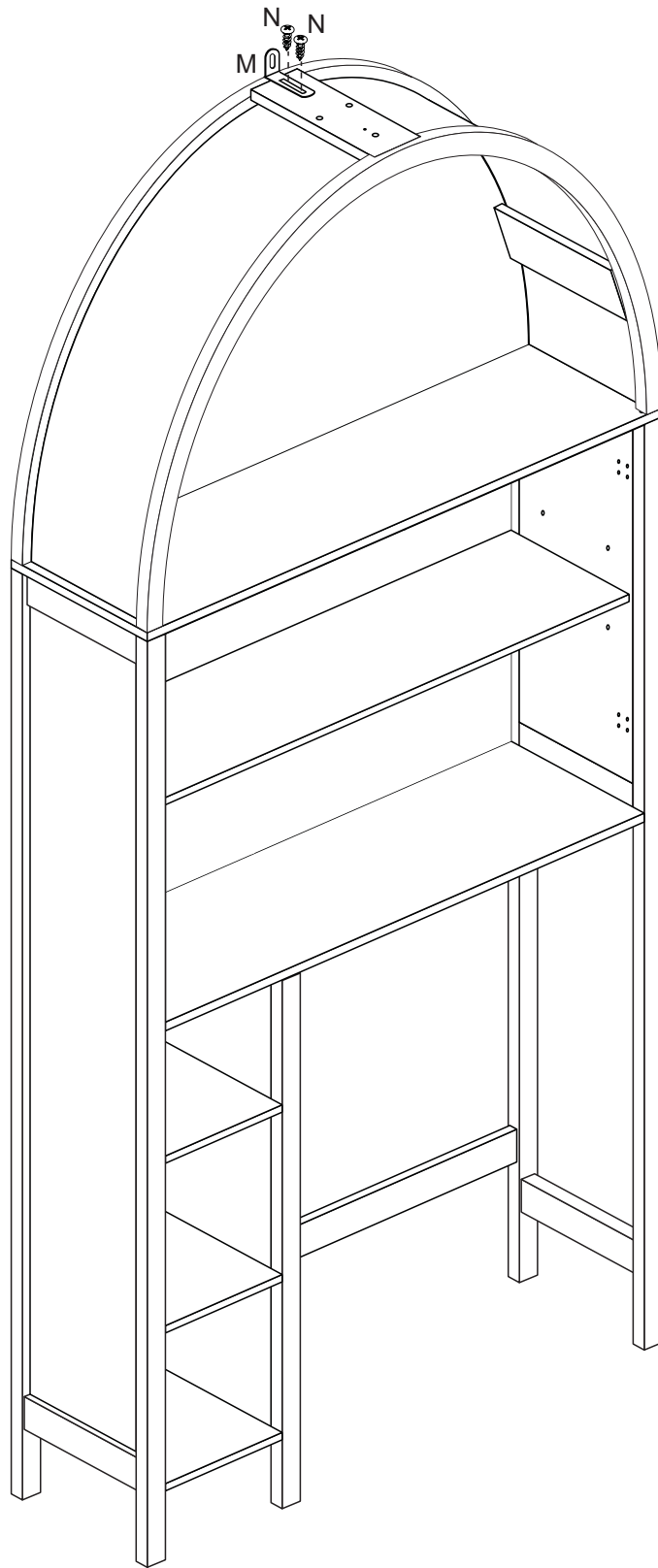
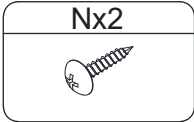
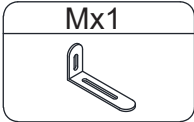
16

- Xx1
- Gx8

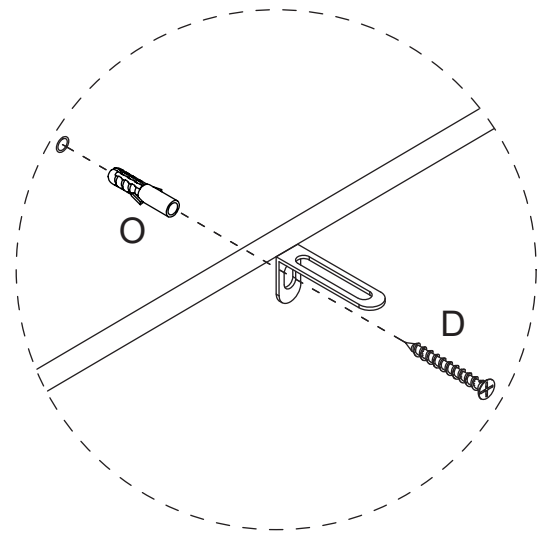
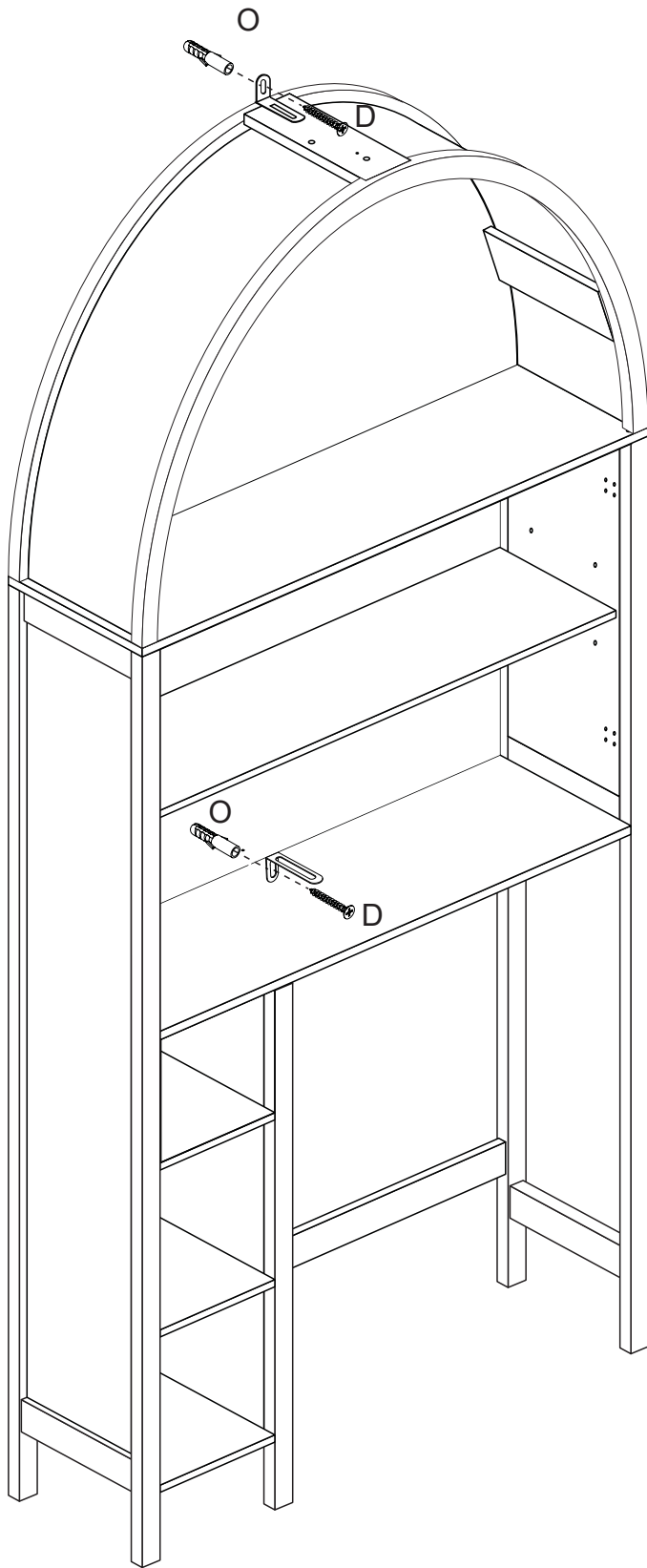
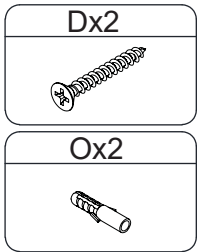
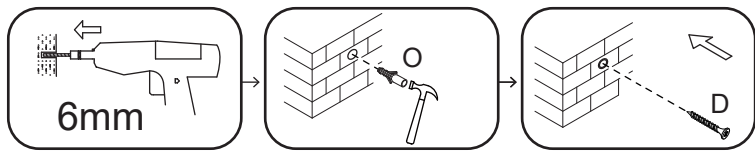


Fx12

Lx12




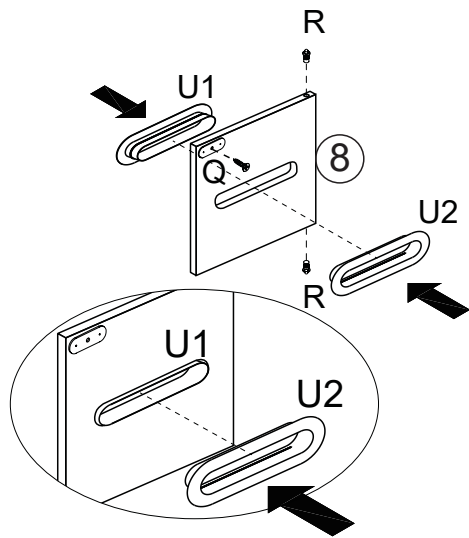
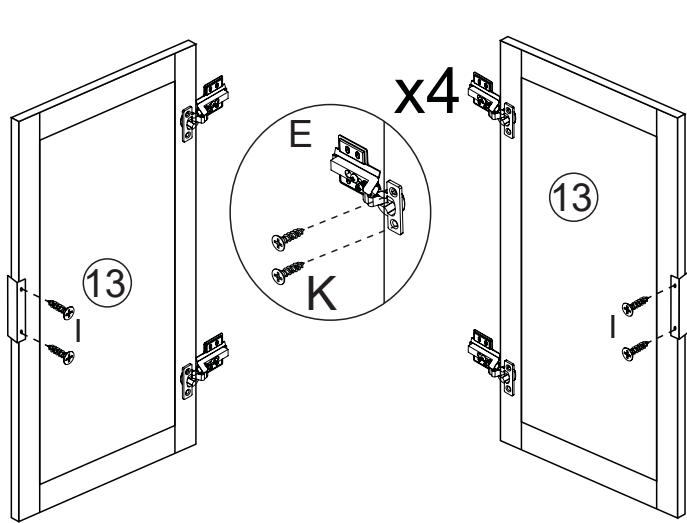


19



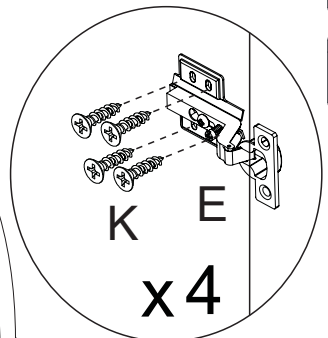
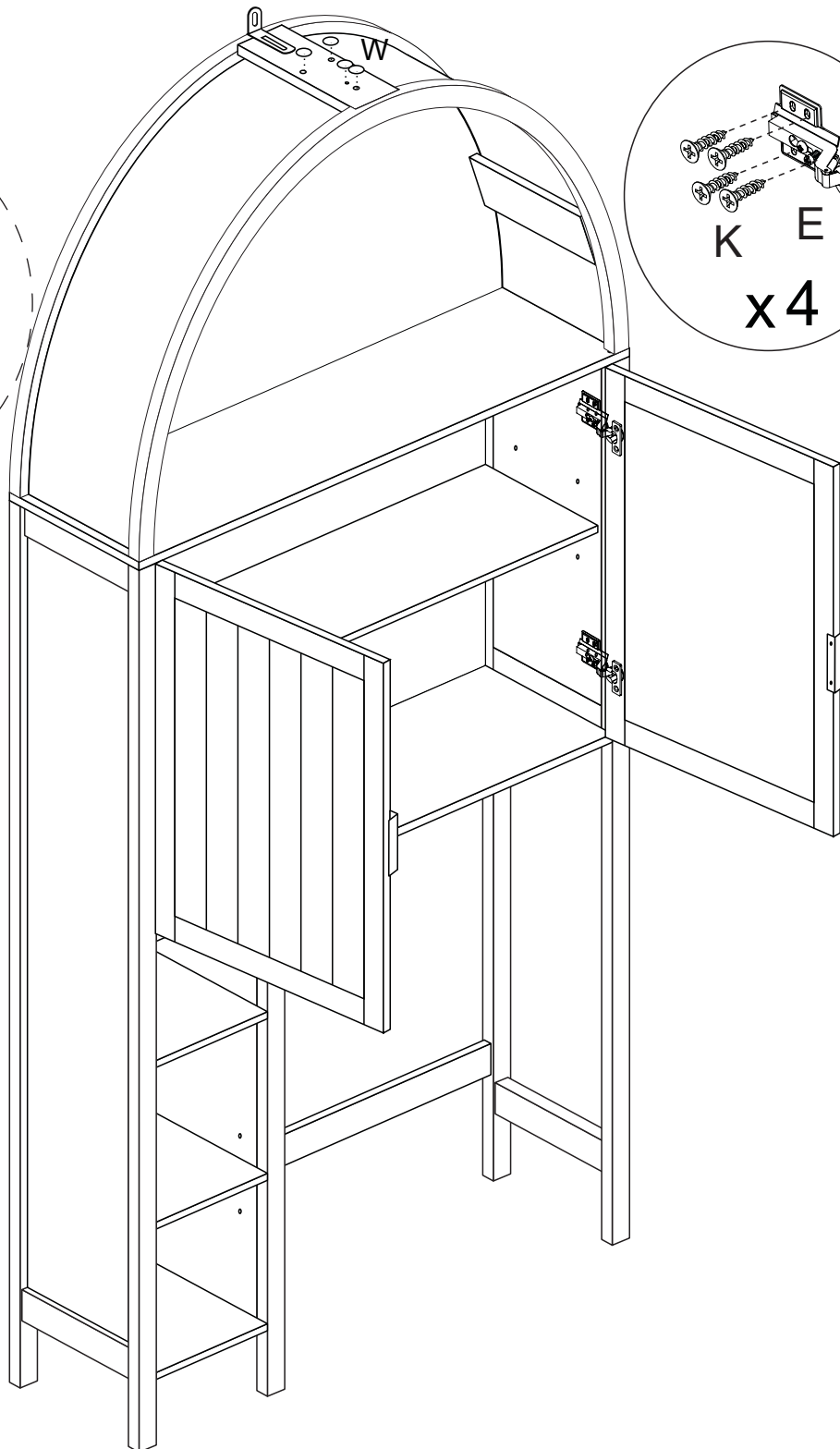
For safety reasons, it is recommended to install anti-tipping fittings before mounting the door panels to prevent the toilet cabinet from tipping over during the installation and adjustment of the door panels.

20

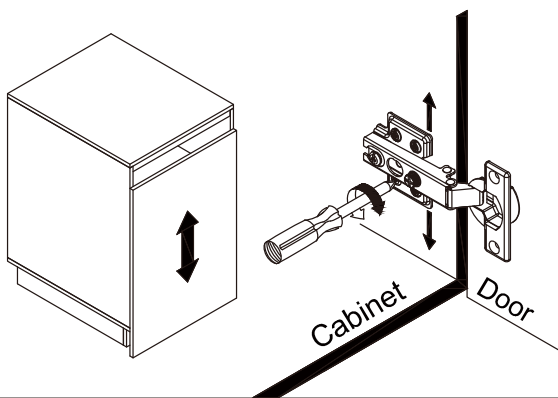
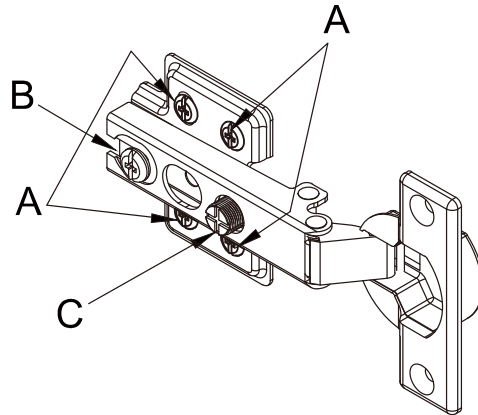


- Ex4
- Kx8
- Qx1
- Rx2
- Ix2
- Ux1

21

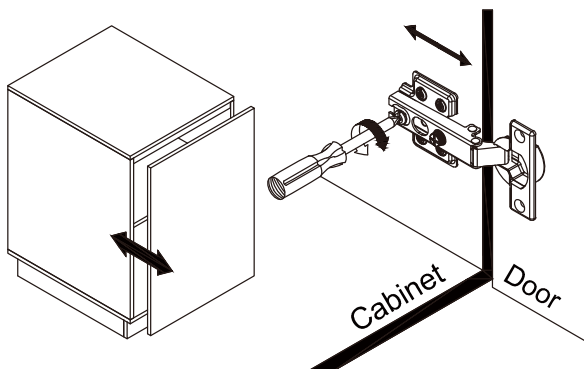


- Kx16
- Wx22



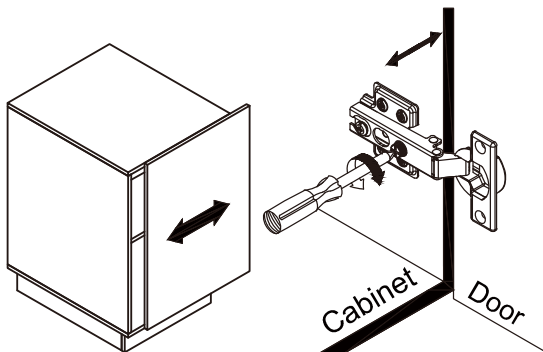
To adjust the vertical height.

Loosen the four screws "A" on both hinges. Two of them are usually in slotted holes which allows you to adjust up or down by a few mm. Then tighten back up.



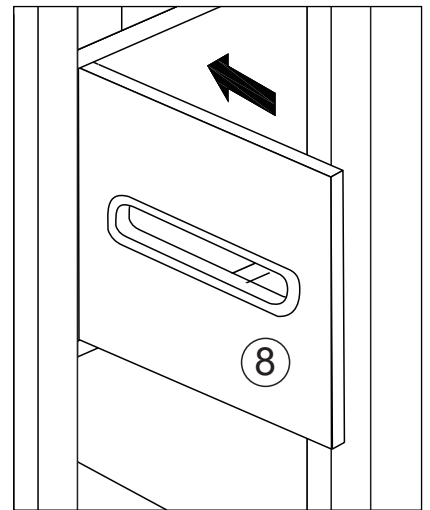
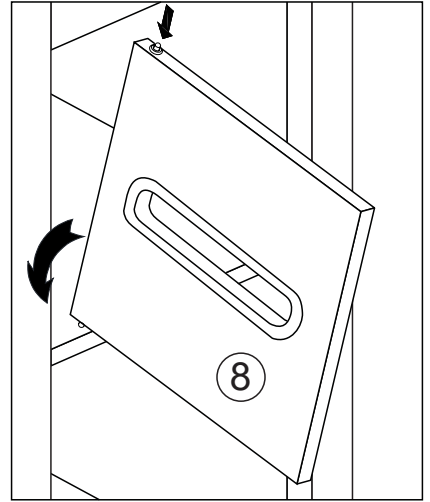
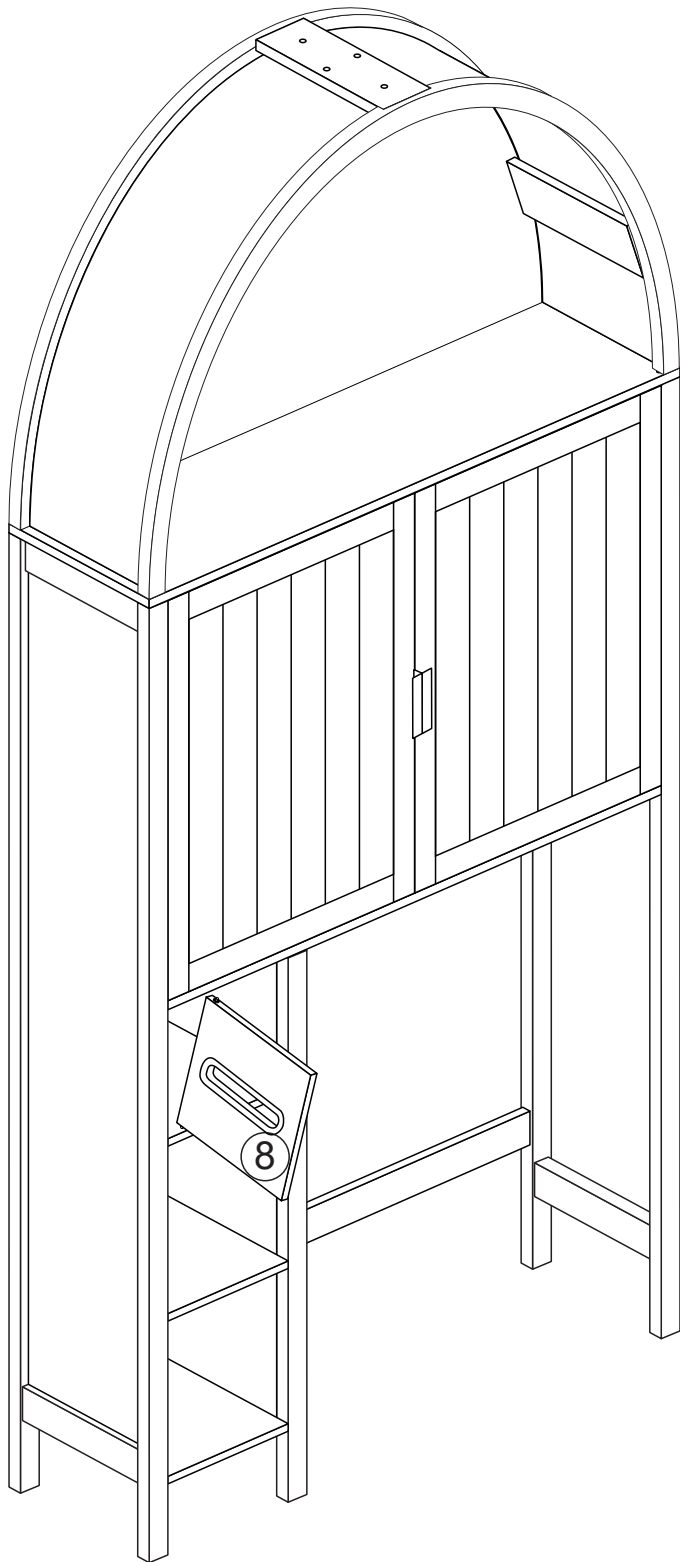
To adjust depth.

Loosen screw "B" and adjust door, if the door can not be adjusted, please loosen screw "C", then try again. Tighten screw "B" and "C".



To adjust side ways.

Turning the screw "C" on BOTH hinges on each door.



Over-the-Toilet Storage Cabinet MT006-3171-Natural Oak

