

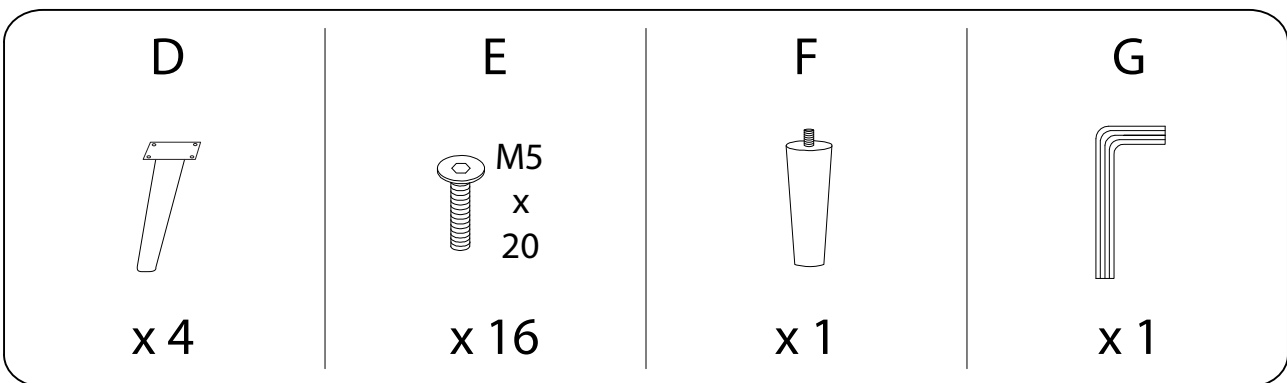
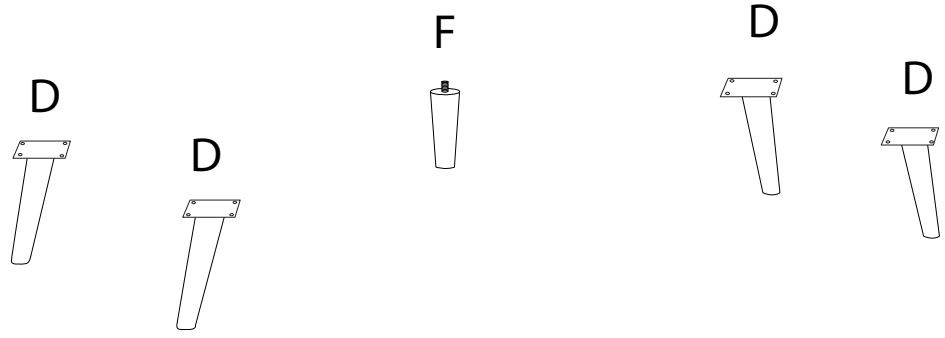
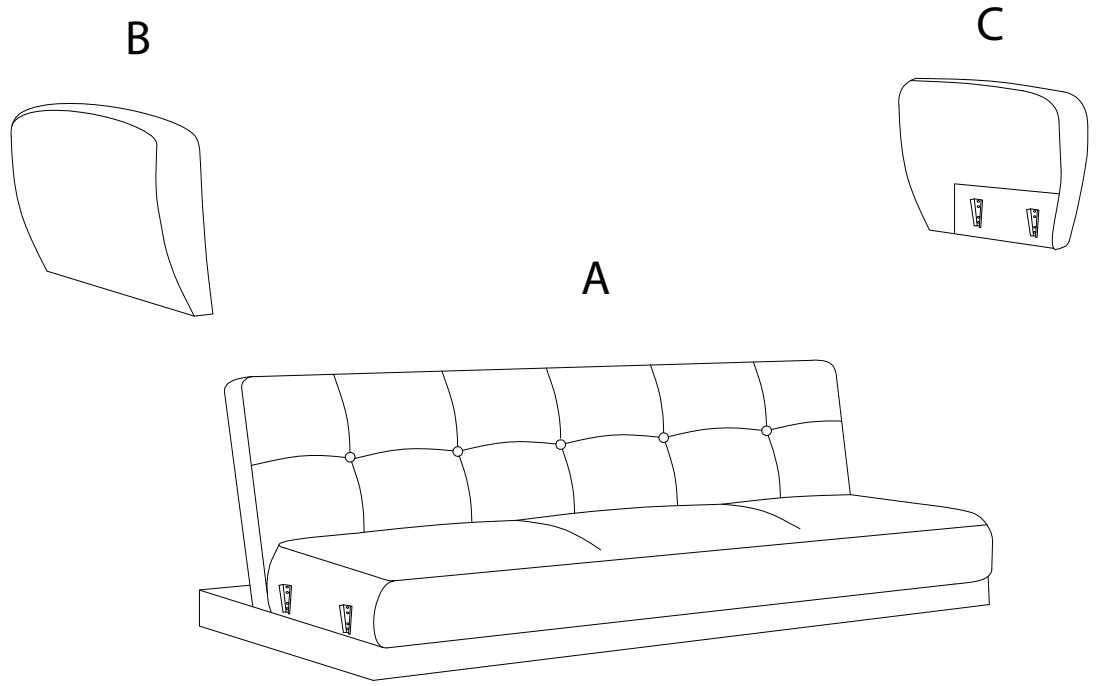
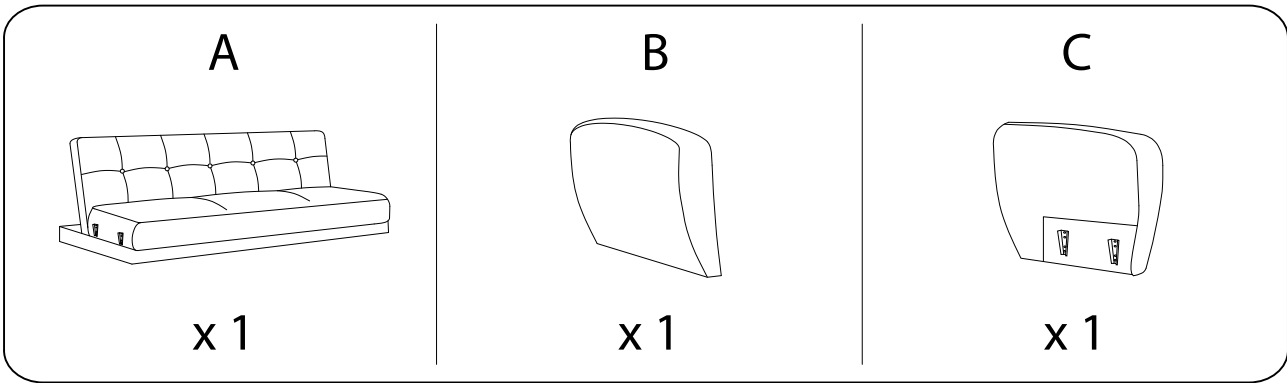
Assembly instructions for the sofa, including warnings, time, and person count.

Warning 1: Do not use a power drill. Use an Allen key (shown in a circle) to tighten the screws.

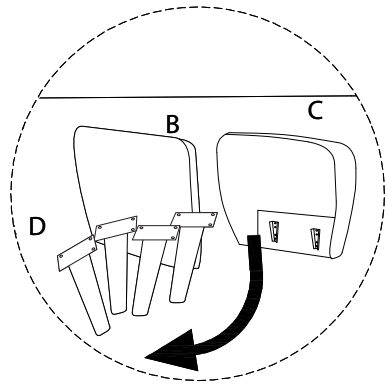
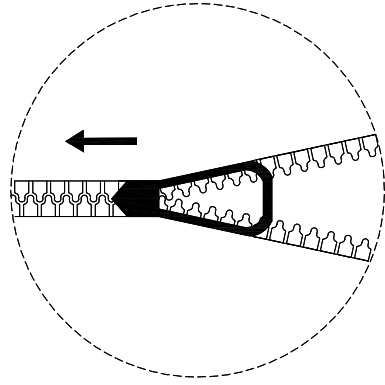
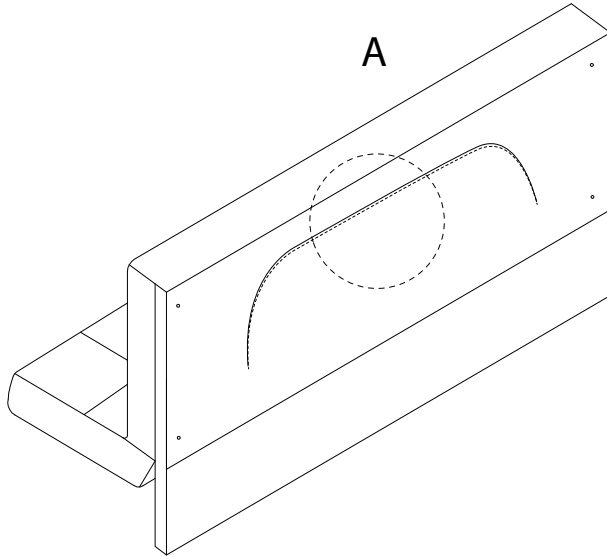
Warning 2: Do not use a power drill to tighten the screws. Use a screwdriver (shown in a circle) to tighten the screws.

Time: 30'

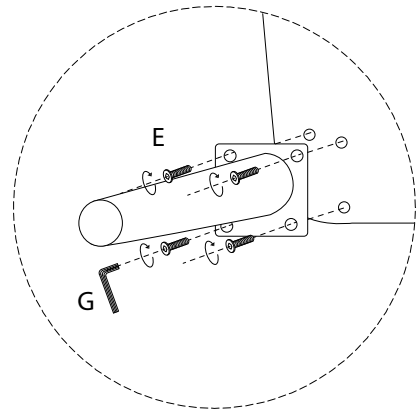
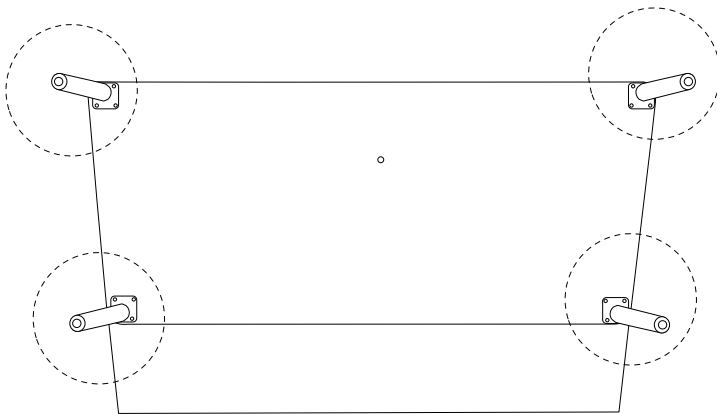
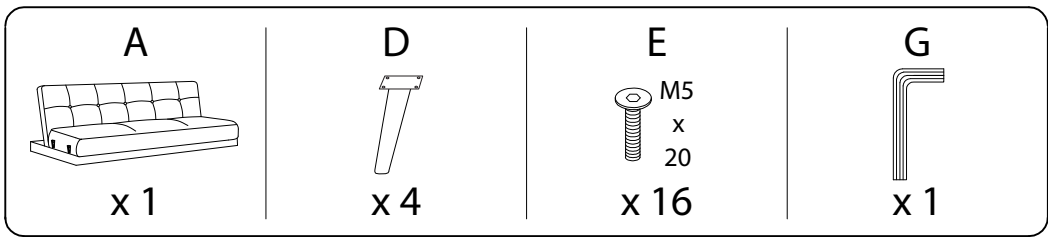
Person Count: 1



!



1

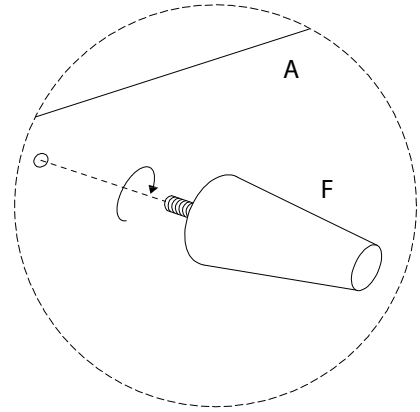
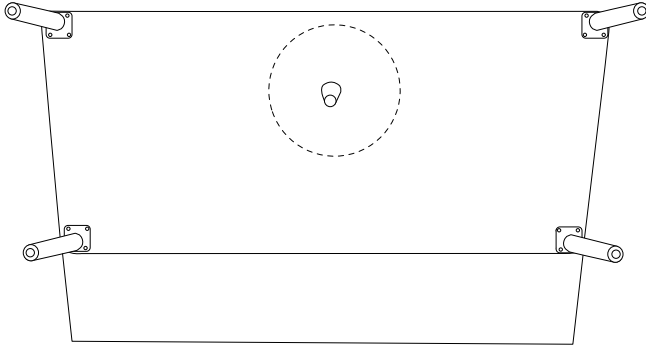


2

F



x 1



3

B

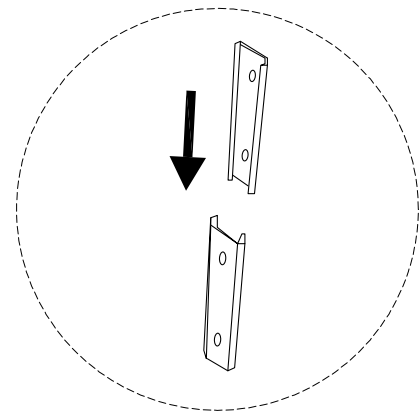
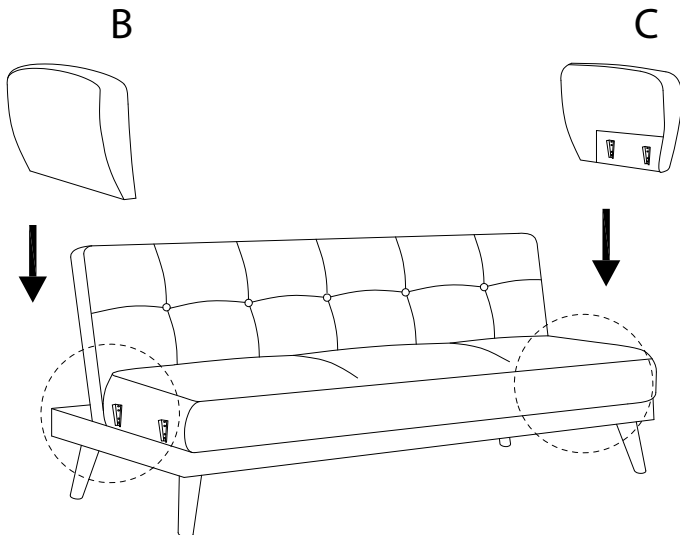


x 1

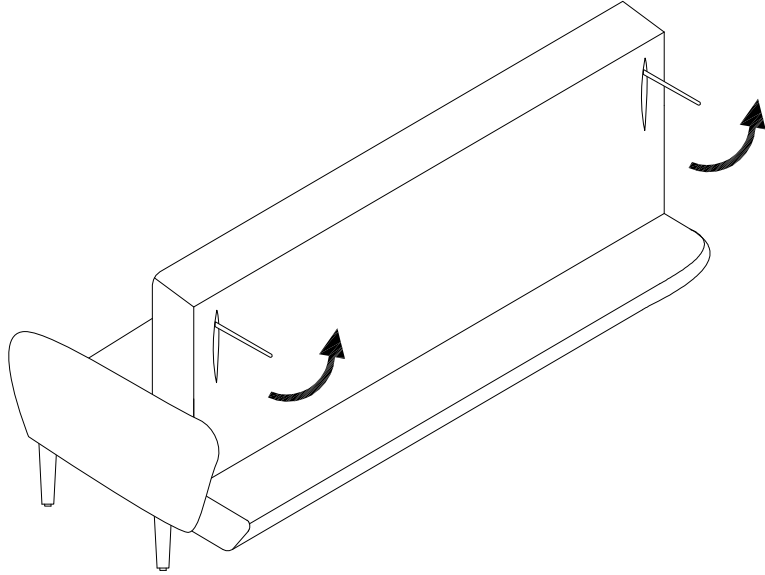
C



x 1



!



!

