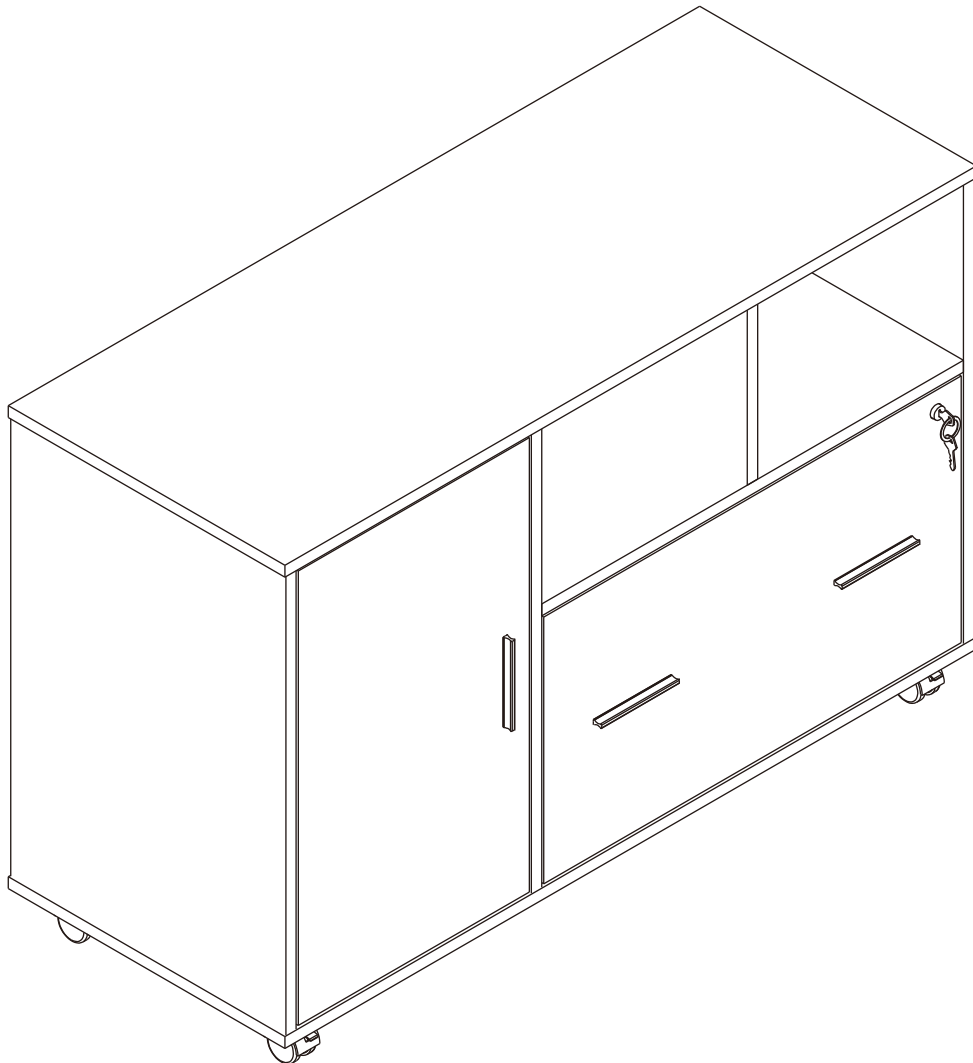


# File Cabinet

---



Thanks for purchasing one of our products, please read carefully the assembly instructions before the installation (Attention: Do not tighten the screws before all screws are in place).  
**THIS INSTRUCTION BOOKLET CONTAINS IMPORTANT SAFETY INFORMATION. PLEASE READ AND KEEP FOR FUTURE REFERENCE.**

---

PART NO.	PARTS	QTY
①		X1
②		X1
③		X1
④		X1
⑤		X1
⑥		X1
⑦		X1
⑧		X1
⑨		X1
⑩		X1

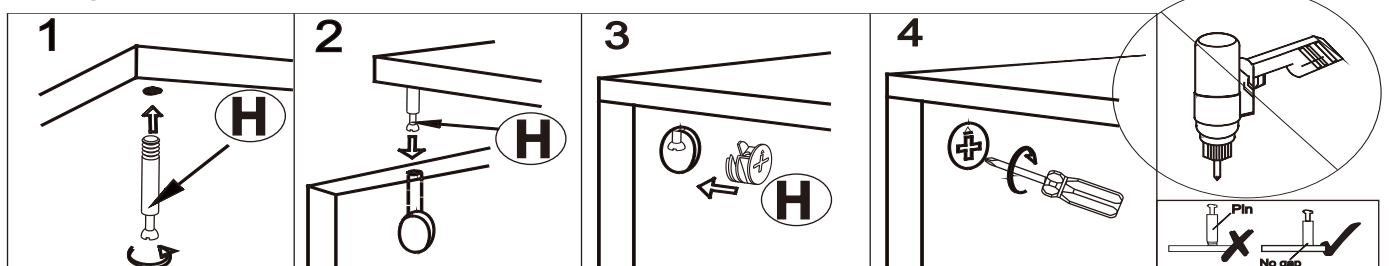
PART NO.	PARTS	QTY
⑪		X1
⑫		X1
⑬		X1
⑭		X1
⑮		X1
⑯		X1
⑰		X2
⑱		X2
⑲	14"	X2

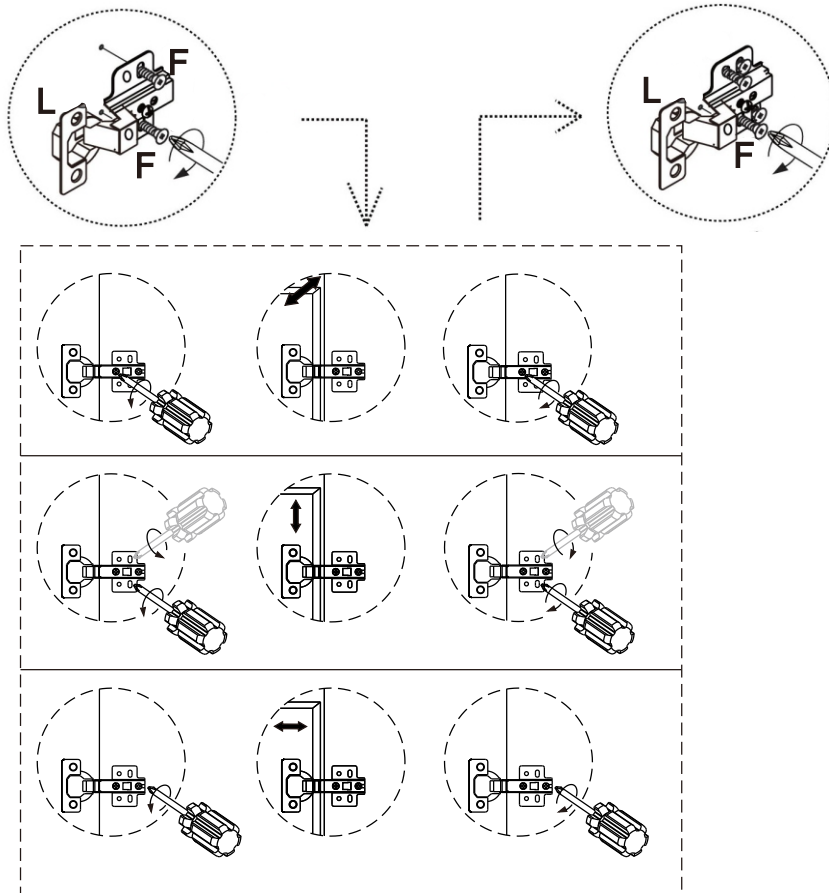
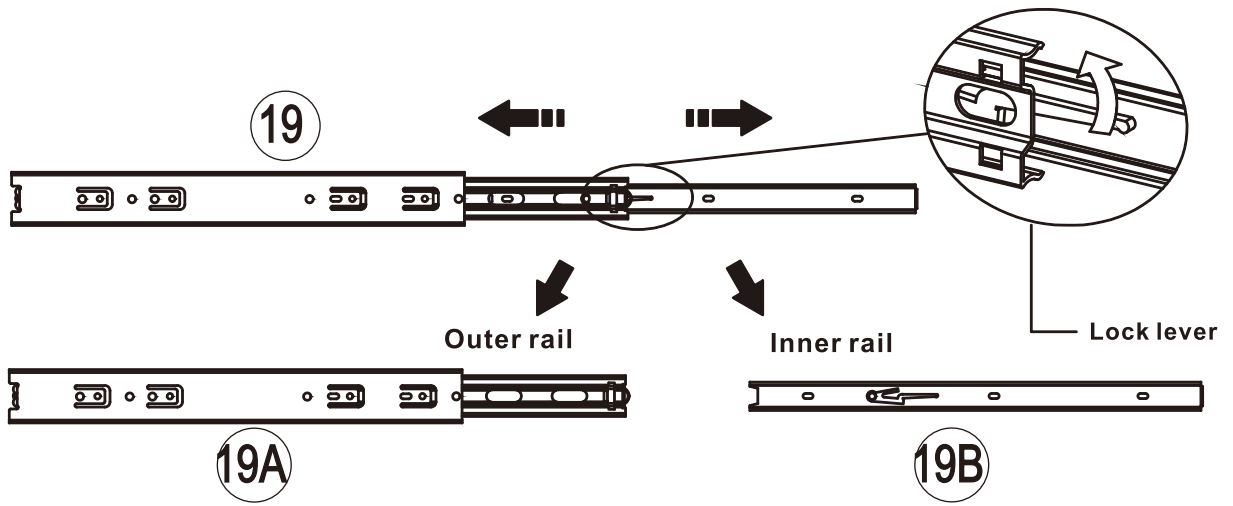
PART NO.	QTY.	PARTS	
A	10	M6X40mm	
B	5	M4X28mm	
D	4	M5X38mm	
E	6	4x18mm	
F	56	3.5x14mm	
G	4	3.5x20mm	
H	18	M6X40mm	
I	3	109X16X8	
J	2	1.5"	
K	3	1.5"	

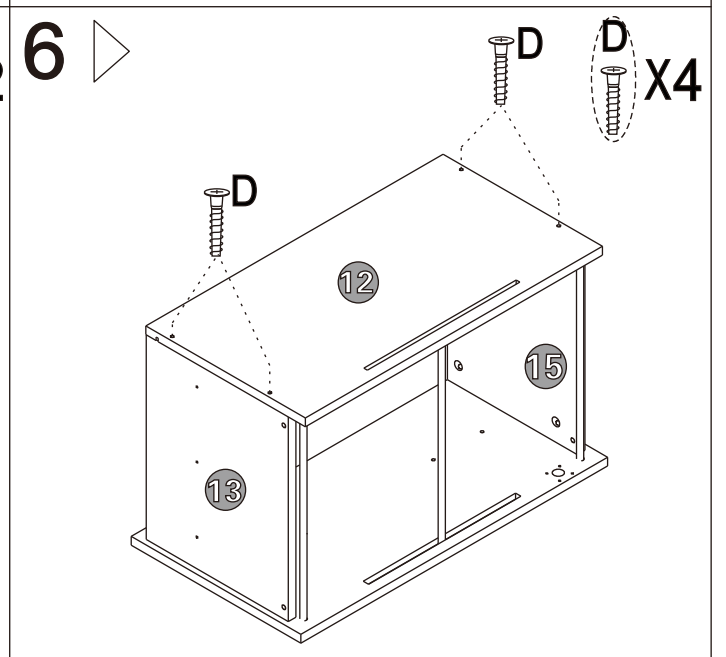
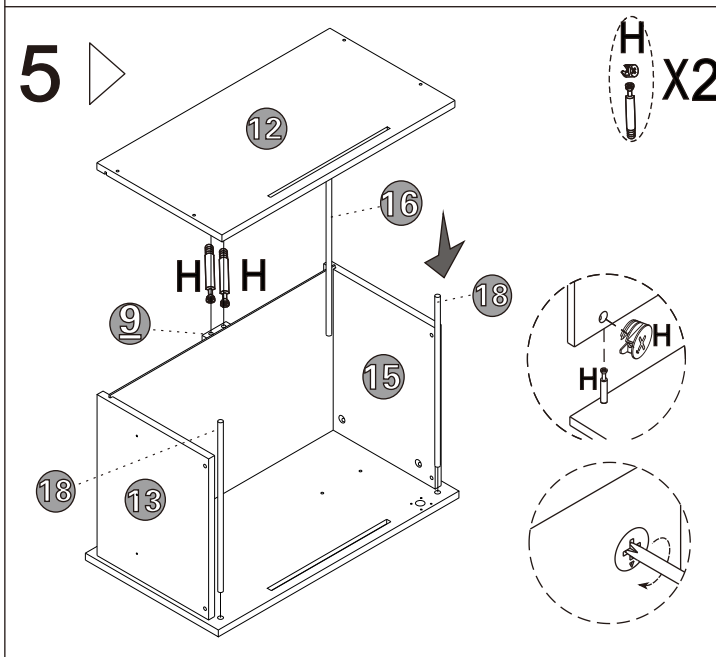
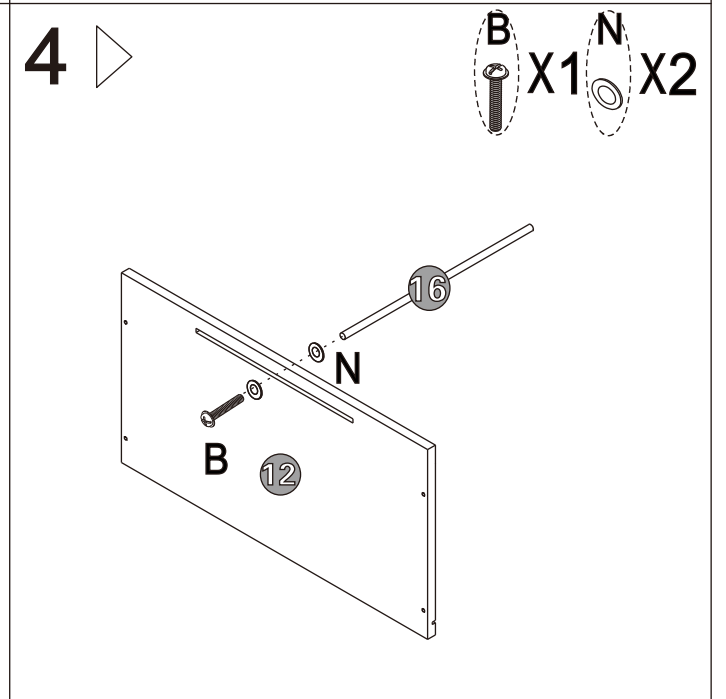
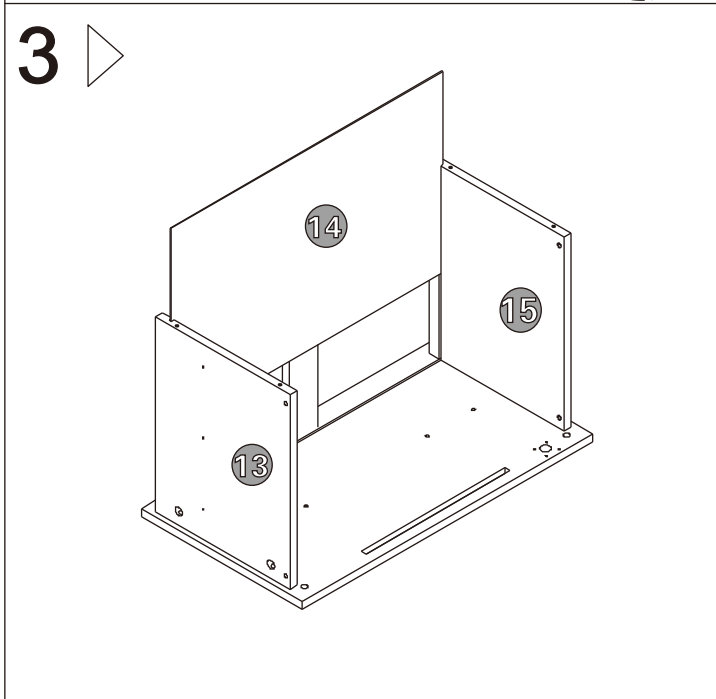
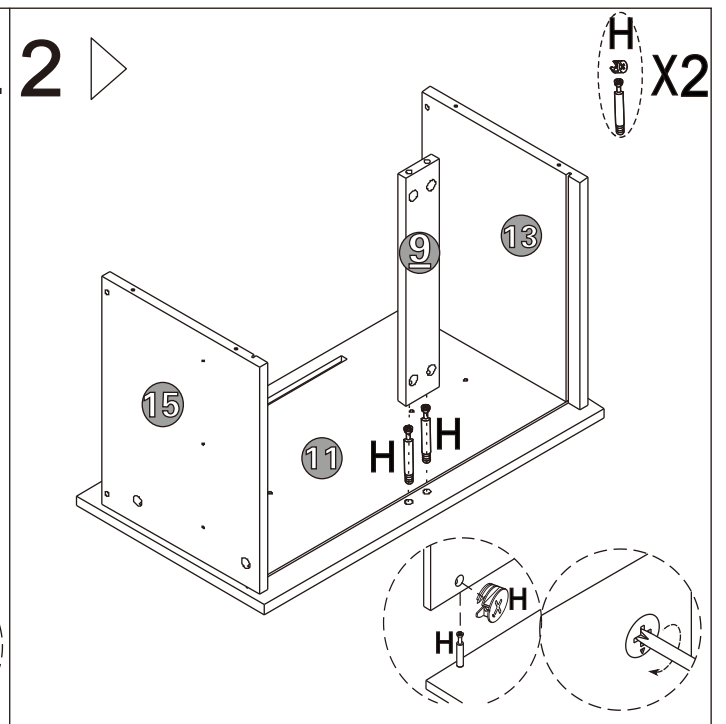
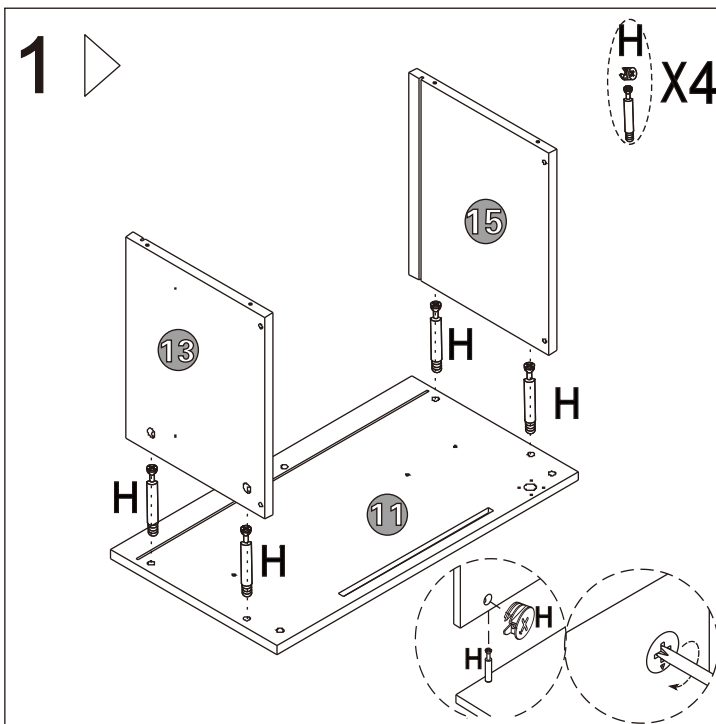
PART NO.	QTY.	PARTS	
L	2		
M	1		
N	2	Ø6.2x16mm	
O	6		
P	8	Ø21	
Q	1		
R	1		

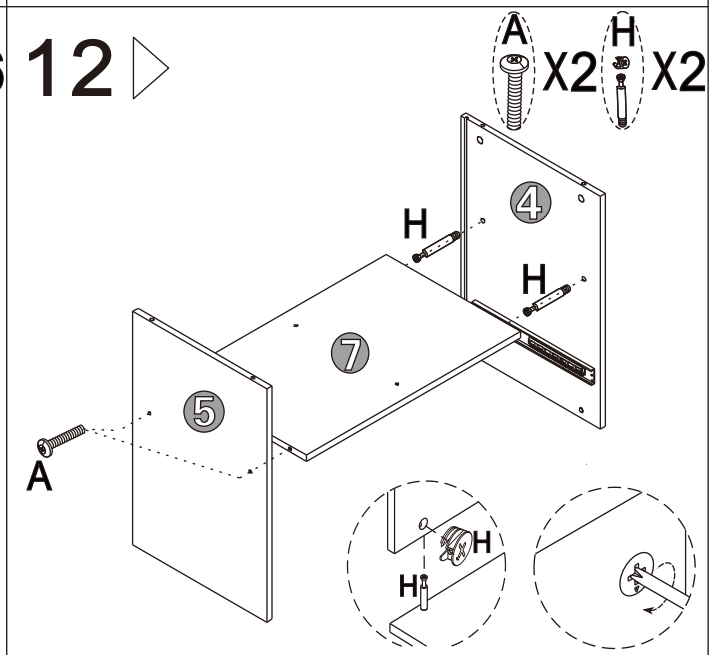
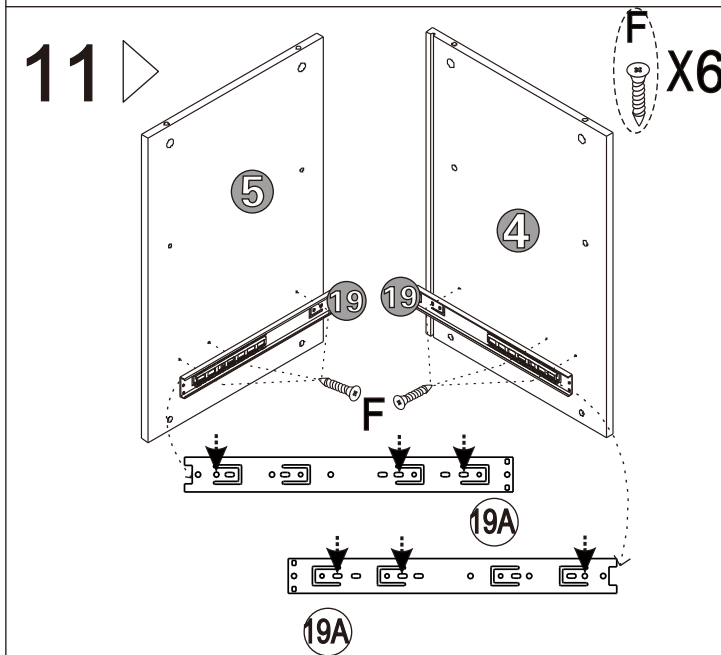
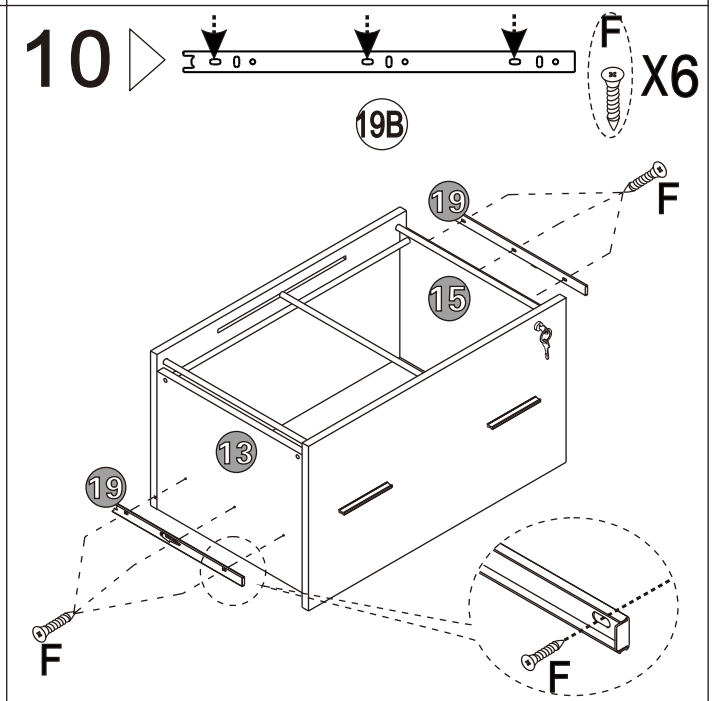
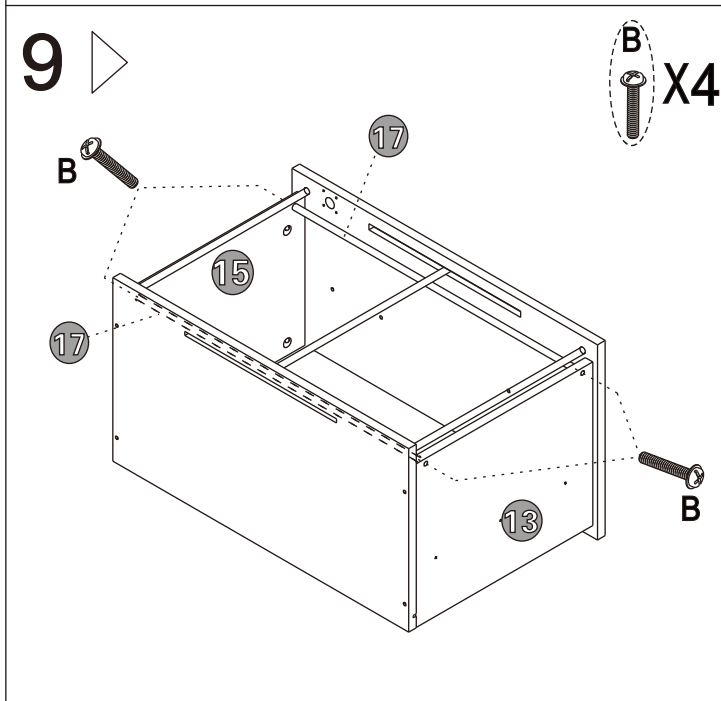
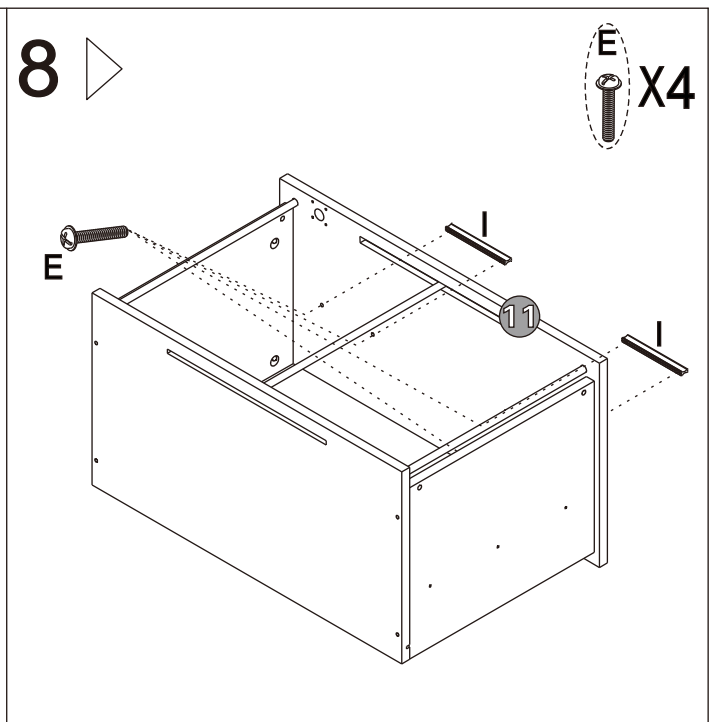
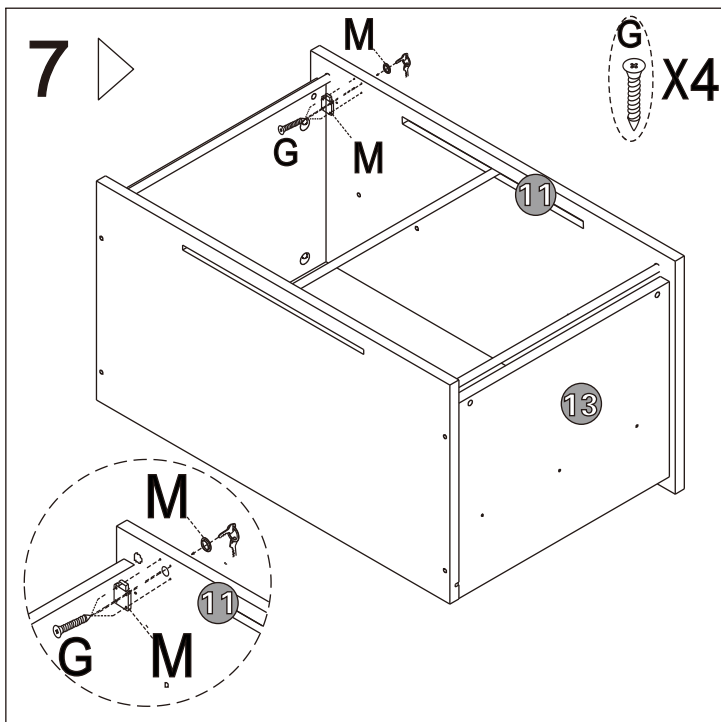
### Installation of Cams and Pins :

Screw the Pin into hole. To set Cams correctly, ensure the arrow on the Cam opening to the hole of the Pin it is locking. Lock Cam by turning Cam head with screwdriver to be tighten. Please don't use an electric screwdriver to assemble the unit.

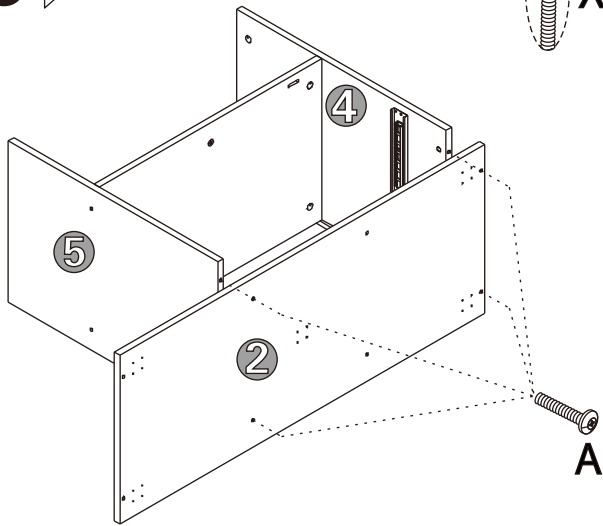






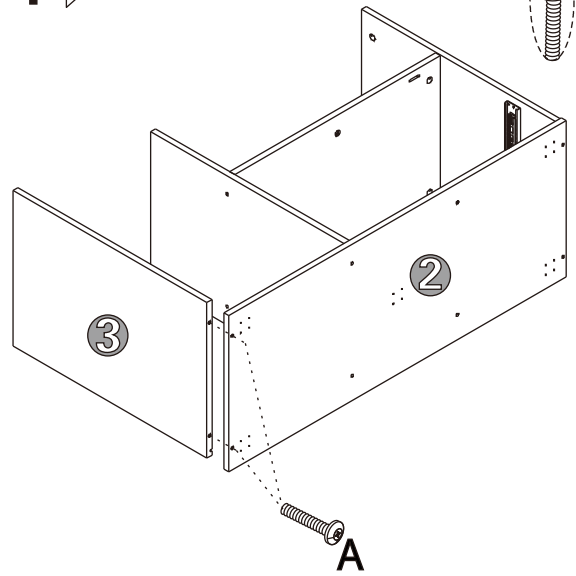


13 ▷



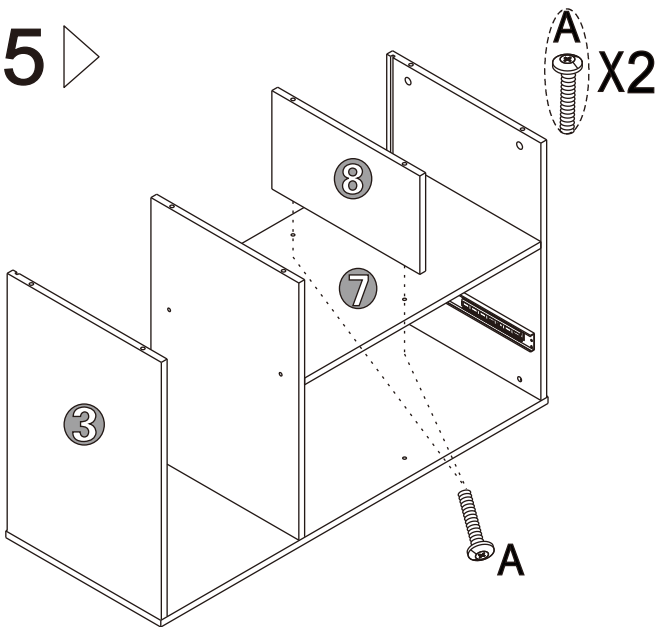
A x4

14 ▷



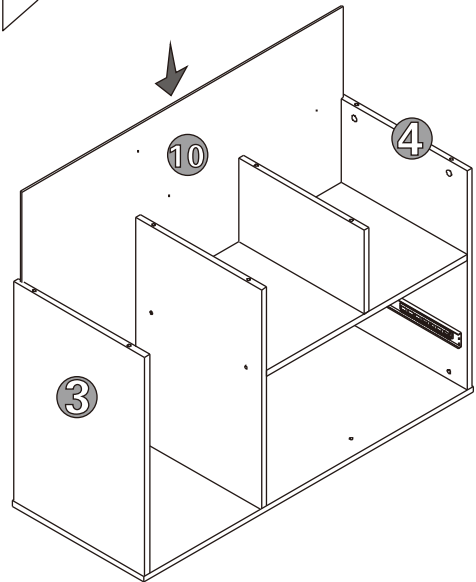
A x2

15 ▷

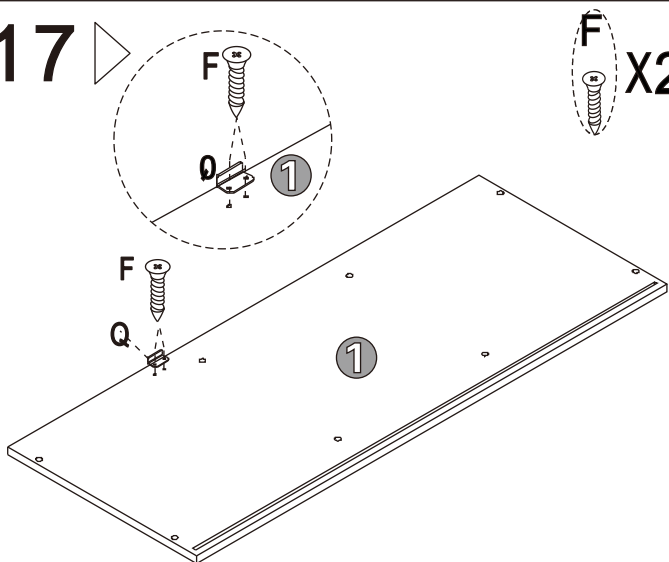


A x2

16 ▷

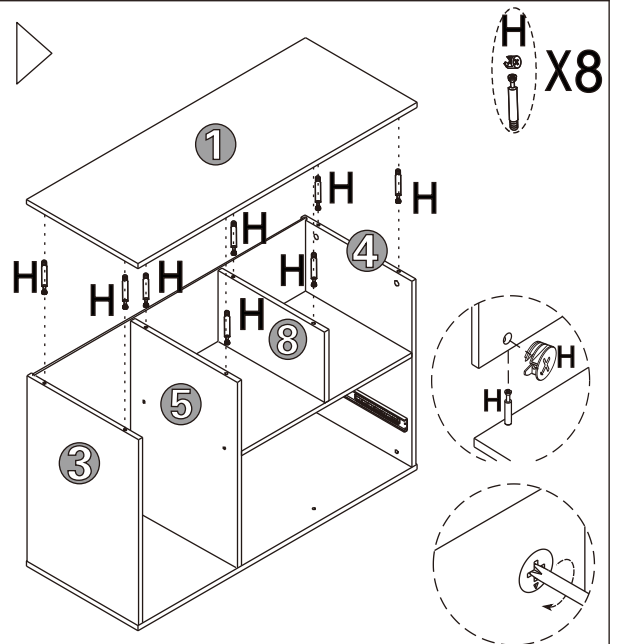


17 ▷



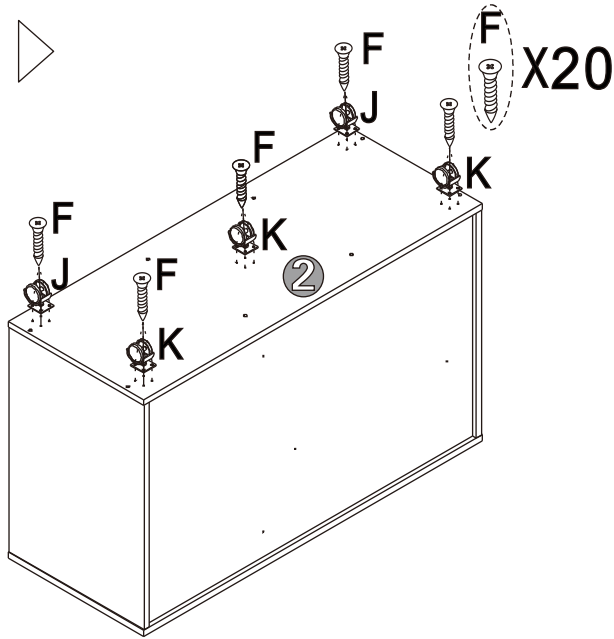
F x2

18 ▷

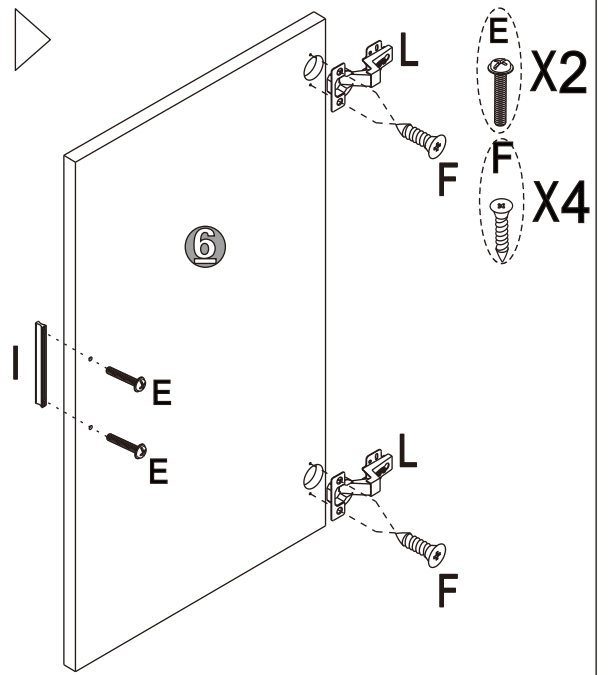


H x8

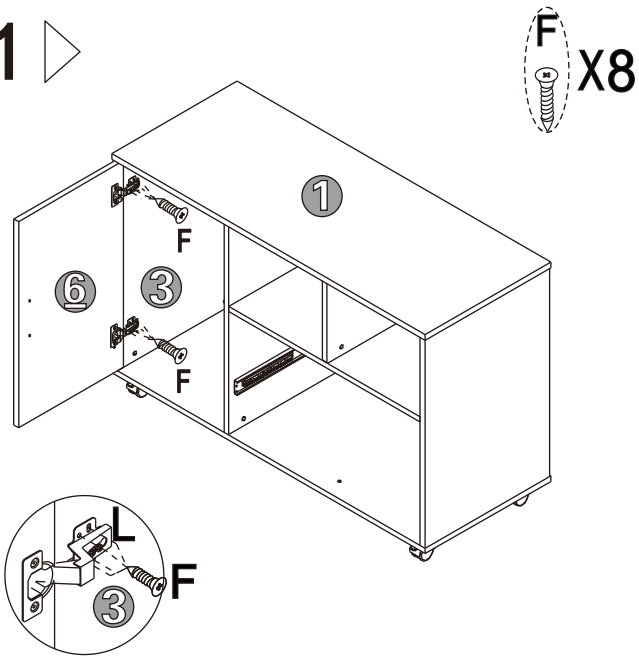
19 ▷



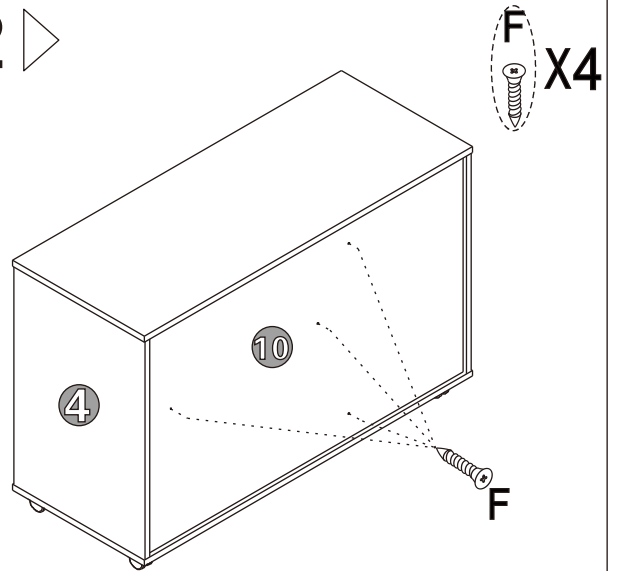
20 ▷



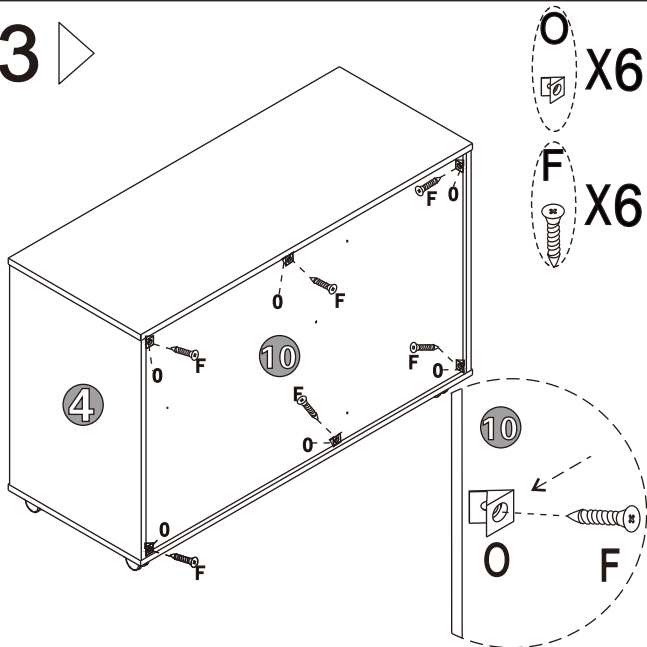
21 ▷



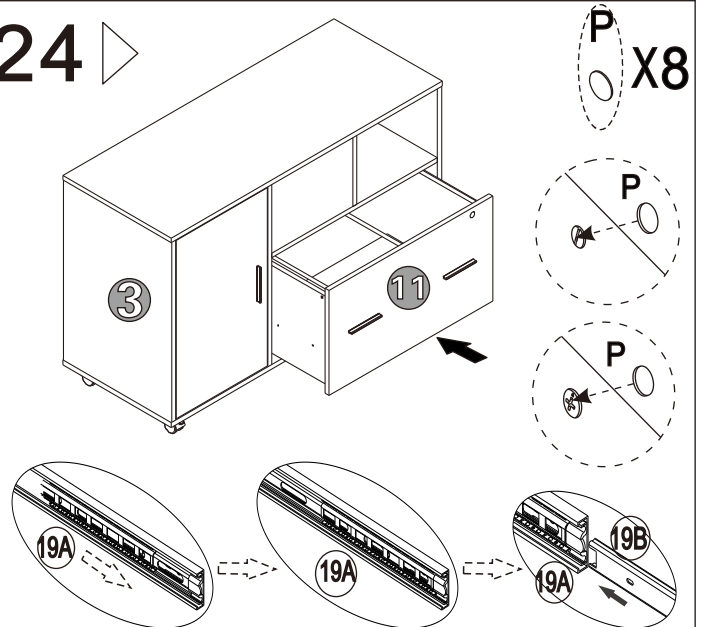
22 ▷



23 ▷



24 ▷





## No heartburn, when we handle the return

---

Give us or shoot us a message,  
we will arrange you a free  
replacement with zero hassle

### Our way

---



Give us a Email

---



Replacement

---



You

---

### Their way



Re-package item



Schedule pick-up



Track package



Replacement



You

We really don't want you to go through the hassle of re-packaging your item  
and sending it back, because let's be honest...nobody has time for that.