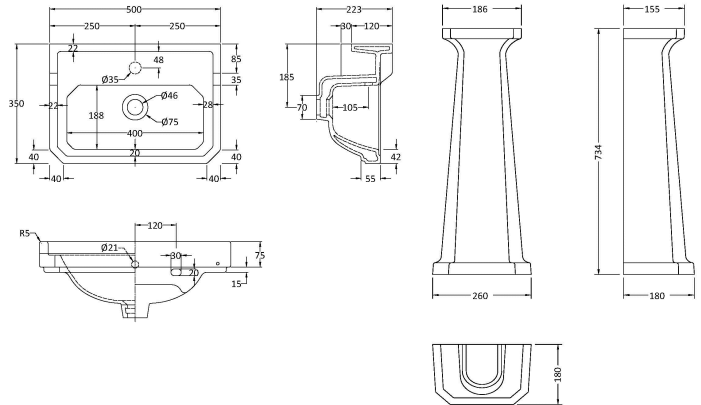


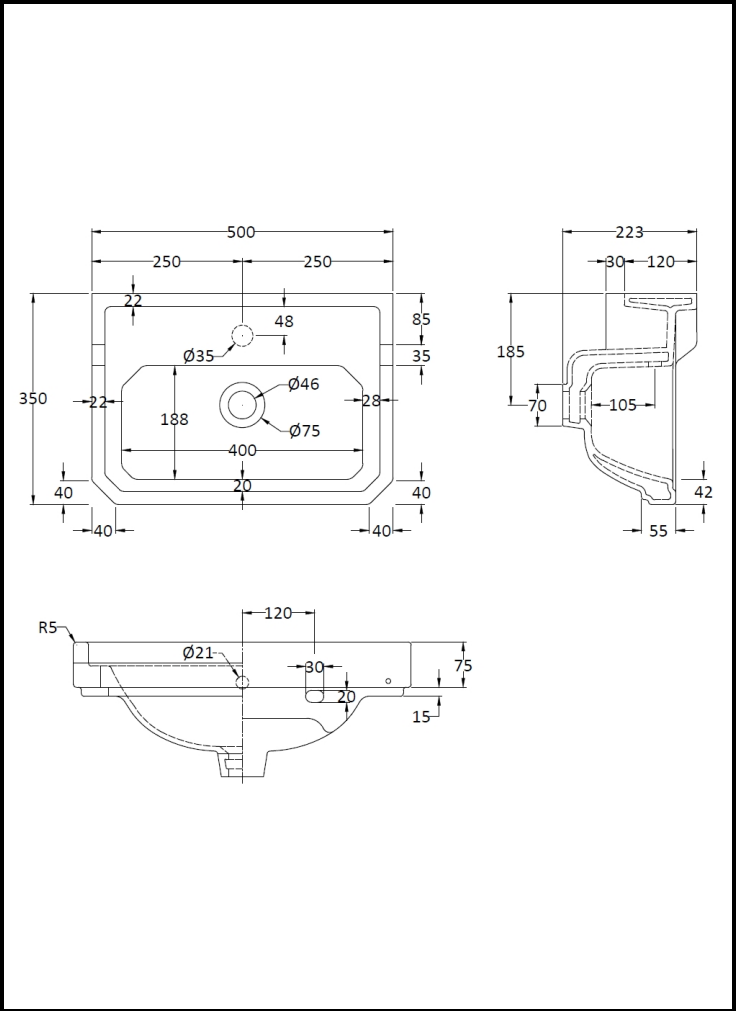
CUSTOMER DATA SHEET

DESCRIPTION: 500mm 1Th Basin & Comfort Height Ped



CUSTOMER DATA SHEET - CERAMICS

DESCRIPTION: 500mm Basin 1Th



| PRODUCT DIMENSIONS | | | |
|--------------------|------------|------------|-------------|
| Height (mm) | Width (mm) | Depth (mm) | Nett Wgt Kg |
| 223 | 500 | 350 | 12.5 |

| PACKAGING DIMENSIONS | | | |
|----------------------|------------|------------|--------------|
| Height (mm) | Width (mm) | Depth (mm) | Gross Wgt Kg |
| 287 | 515 | 490 | 13 |

| PACKAGING DATA | | | |
|----------------|-------------------------------|--------------|----------------|
| Box Colour | Brown Cardboard Box - Printed | | |
| Box Qty | 1 | Label Colour | Not Applicable |
| Label Size | 100 x 50 | Label Qty | 0 |

| OUTER BOX DIMENSIONS (If Applicable) | | | |
|--------------------------------------|------------|------------|--------------|
| Height (mm) | Width (mm) | Depth (mm) | Gross Wgt Kg |
| | | | |

| PRODUCT DETAILS | |
|---------------------|-------|
| Country of Origin | China |
| Fitting Instruction | No |

| | | | | | | |
|------------------|----------------|-----|------|-----|-------------|-----|
| Certification | CE | N/A | WRAS | N/A | WRAS Number | N/A |
| Product Material | Vitreous China | | | | | |

| PANS/BIDETS | | | |
|-------------|----------------|---------------|----------------|
| Trap Style | Not Applicable | Includes Seat | Not Applicable |

| CISTERNS | | | |
|------------|----------------|----------------|----------------|
| Fittings | Not Applicable | Operating Type | Not Applicable |
| Lever Type | Not Applicable | | |

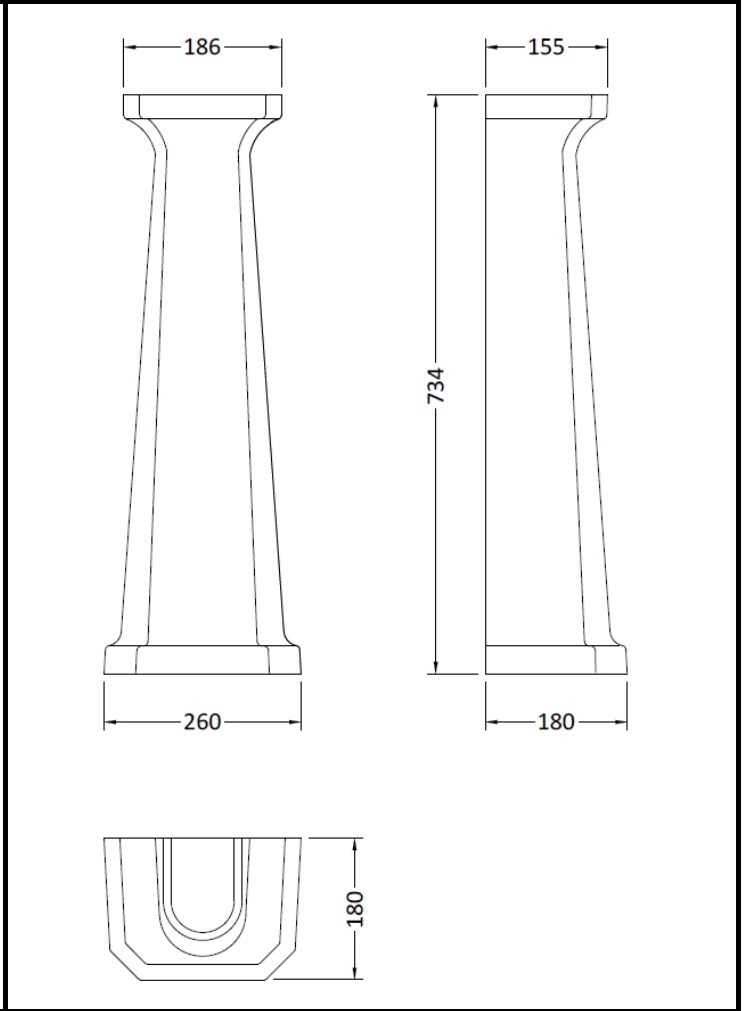
| SEAT | | | |
|------------|----------------|----------------|----------------|
| Type | Not Applicable | Function | Not Applicable |
| Material | Not Applicable | | |
| Hinge Type | Not Applicable | Hinge Material | Not Applicable |

| BASINS | | | |
|------------------|--------------|------------------|---------|
| Tap Hole | One Taphole | Chain Stay Hole | No |
| Template | Not Required | Waste Type Req'd | Slotted |
| Overflow Incl. | Yes | Overflow Cover | Yes |
| Inner Bowl Depth | 95mm | | |

| GENERAL | |
|-----------------|----|
| Fixing Supplied | No |

CUSTOMER DATA SHEET - CERAMICS

DESCRIPTION: Comfort Height Full Pedestal



| PRODUCT DIMENSIONS | | | |
|--------------------|------------|------------|-------------|
| Height (mm) | Width (mm) | Depth (mm) | Nett Wgt Kg |
| 734 | 260 | 180 | 11.5 |

| PACKAGING DIMENSIONS | | | |
|----------------------|------------|------------|--------------|
| Height (mm) | Width (mm) | Depth (mm) | Gross Wgt Kg |
| 140 | 285 | 715 | 12 |

| PACKAGING DATA | | | |
|----------------|---|--------------|--|
| Box Colour | | Label Colour | |
| Box Qty | | Label Qty | |
| Label Size | x | Label Qty | |

| OUTER BOX DIMENSIONS (If Applicable) | | | |
|--------------------------------------|------------|------------|--------------|
| Height (mm) | Width (mm) | Depth (mm) | Gross Wgt Kg |
| | | | |

| PRODUCT DETAILS | |
|---------------------|-------|
| Country of Origin | China |
| Fitting Instruction | No |

| | | | | | |
|------------------|----------------|------|-----|-------------|-----|
| Certification | CE | WRAS | N/A | WRAS Number | N/A |
| Product Material | Vitreous China | | | | |

| PANS/BIDETS | | | |
|-------------|----------------|---------------|----------------|
| Trap Style | Not Applicable | Includes Seat | Not Applicable |

| CISTERNS | | | |
|------------|----------------|----------------|----------------|
| Fittings | Not Applicable | Operating Type | Not Applicable |
| Lever Type | Not Applicable | | |

| SEAT | | | |
|------------|----------------|----------------|----------------|
| Type | Not Applicable | Function | Not Applicable |
| Material | Not Applicable | | |
| Hinge Type | Not Applicable | Hinge Material | Not Applicable |

| BASINS | | | |
|------------------|----------------|------------------|----------------|
| Tap Hole | Not Applicable | Chain Stay Hole | Not Applicable |
| Template | Not Applicable | Waste Type Req'd | Not Applicable |
| Overflow Incl. | Not Applicable | Overflow Cover | Not Applicable |
| Inner Bowl Depth | N/A | | |

| GENERAL | |
|-----------------|----|
| Fixing Supplied | No |