

Electric Standing Desk





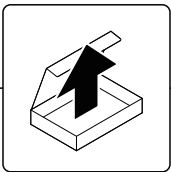
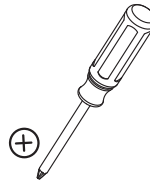
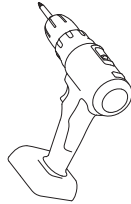
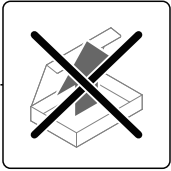
Height Adjustment Range
28.3–46.5" (72–118cm)



Power Input
100V–240V

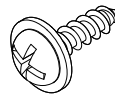


Max. Speed
20mm/s



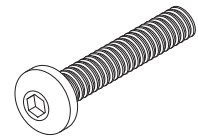
M6 x 8mm

A x 8



M5 x 15mm

B x 14



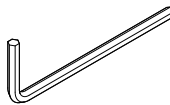
M6 x 35mm

C x 8



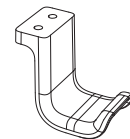
5/64" (2mm)

D x 1

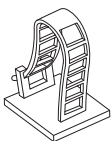


3/16" (5mm)

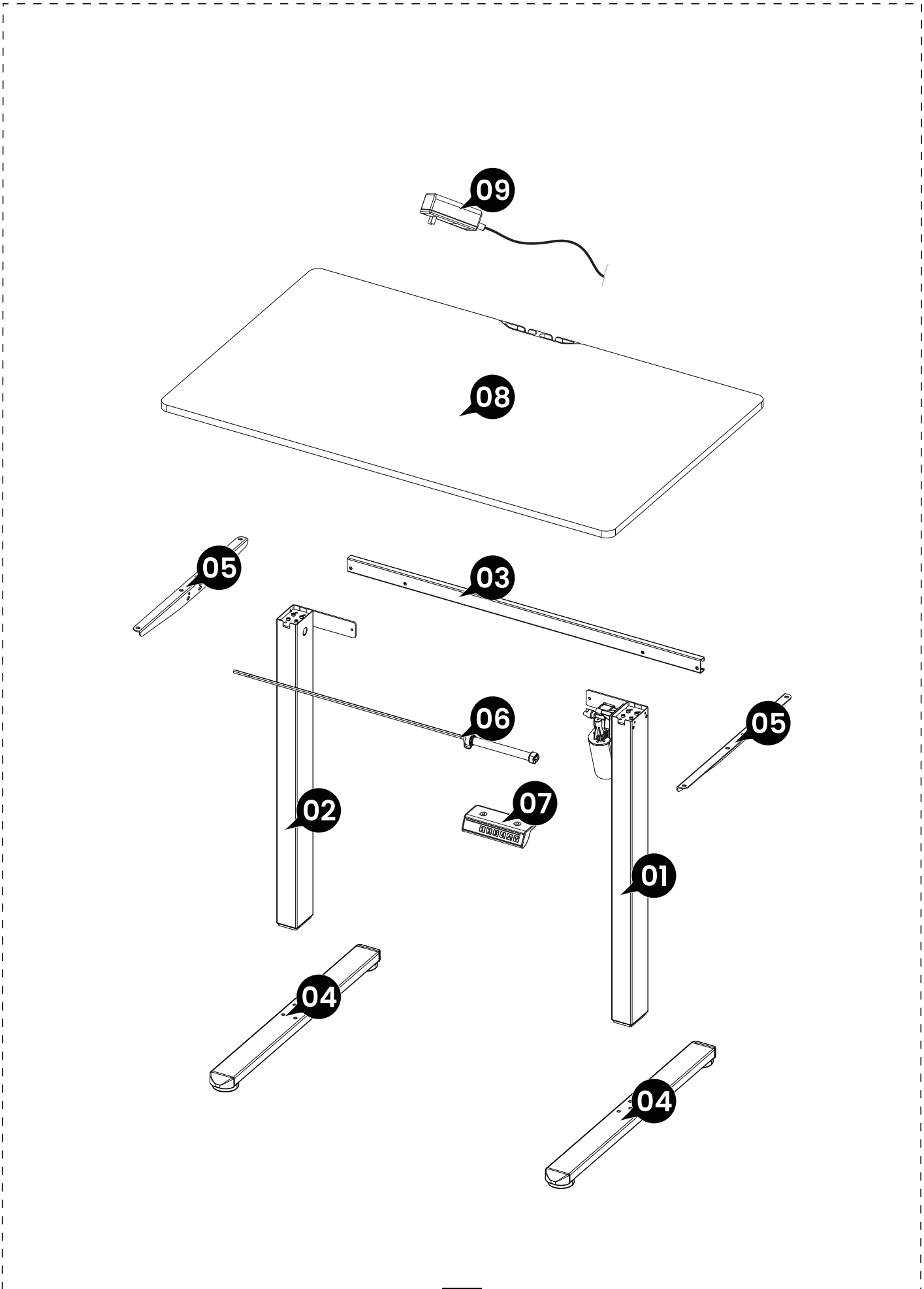
E x 1



F x 2

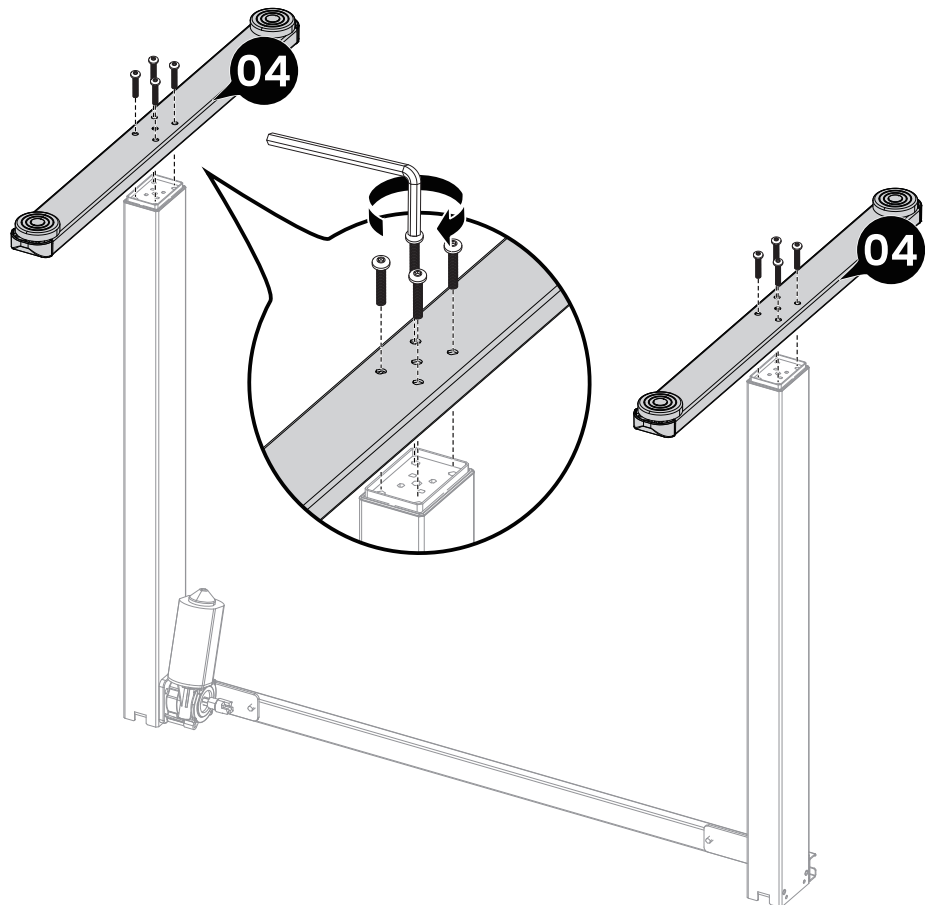
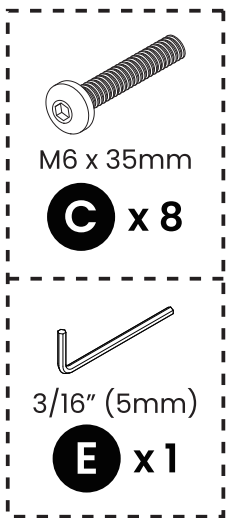
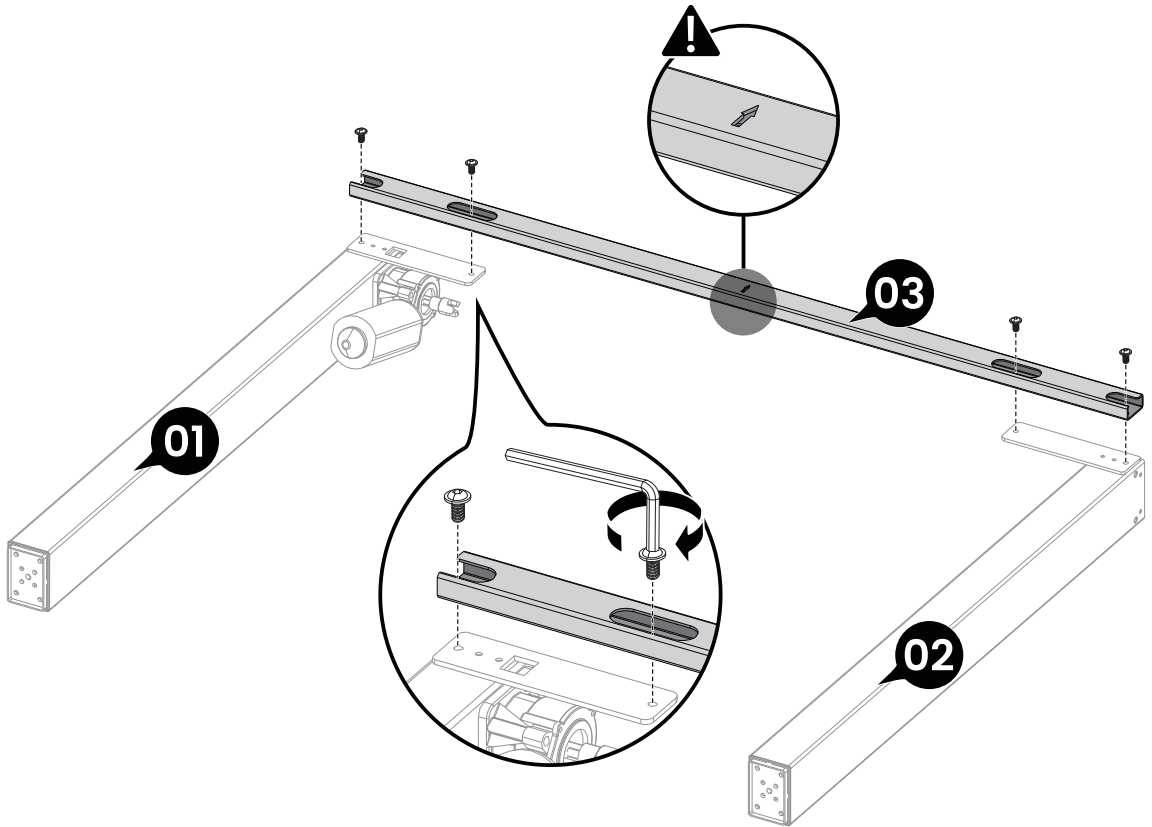
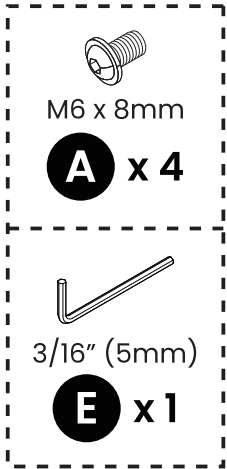


G x 4



1

Assembling the Frame





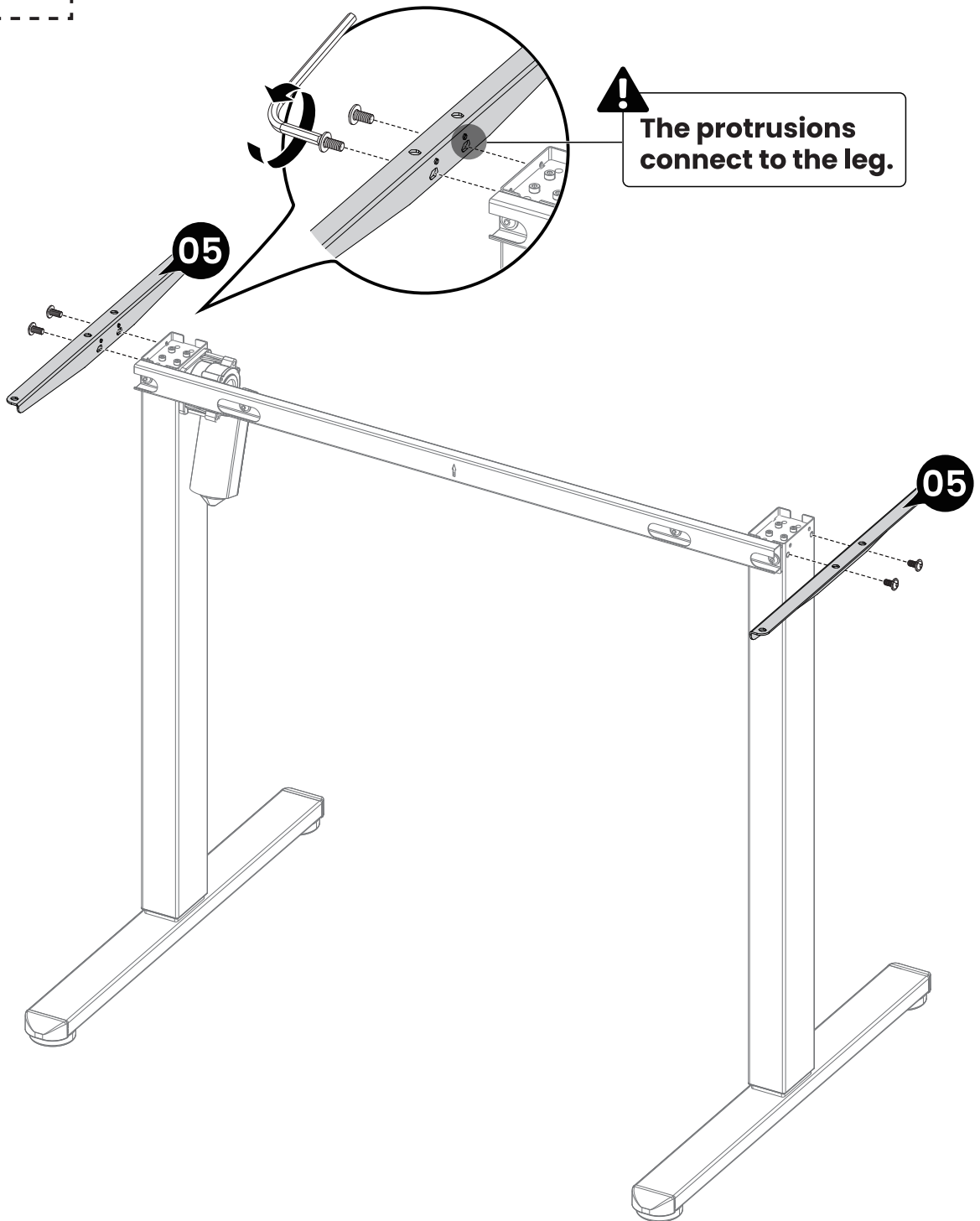
M6 x 8mm

A x 4



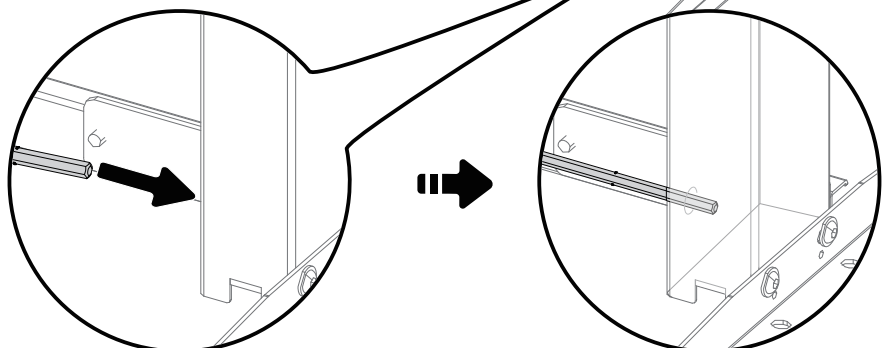
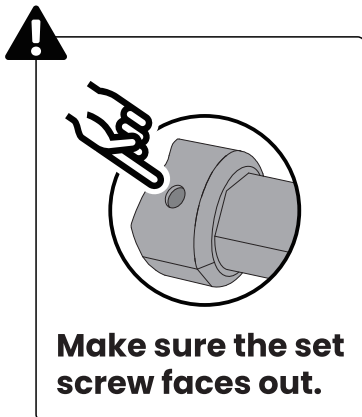
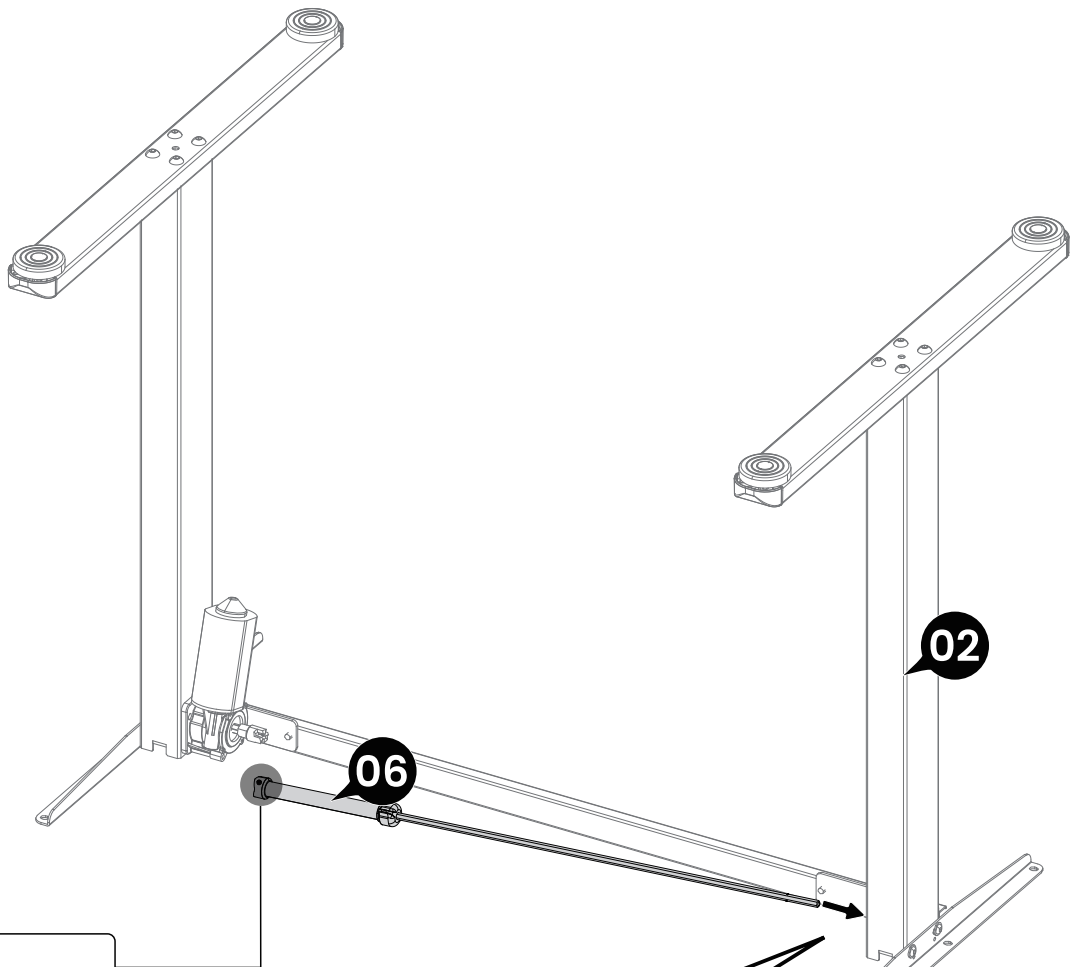
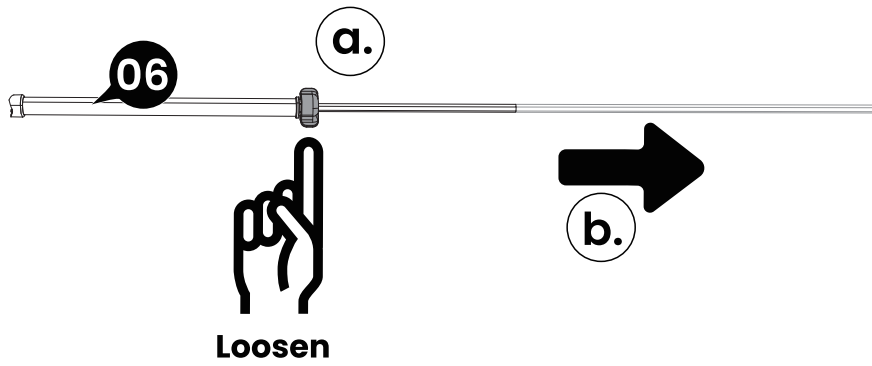
3/16" (5mm)

E x 1



2

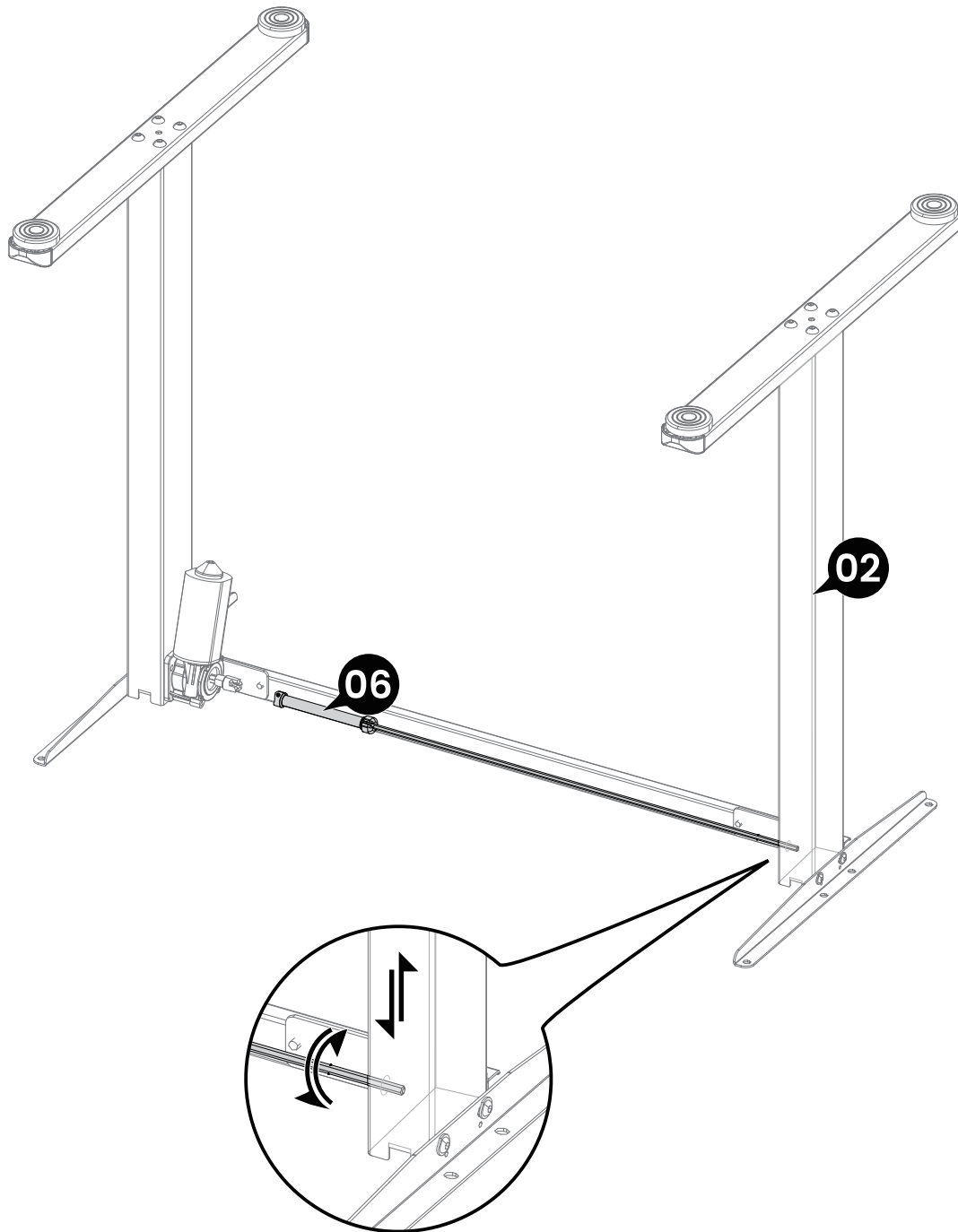
Attaching the Transmission Rod

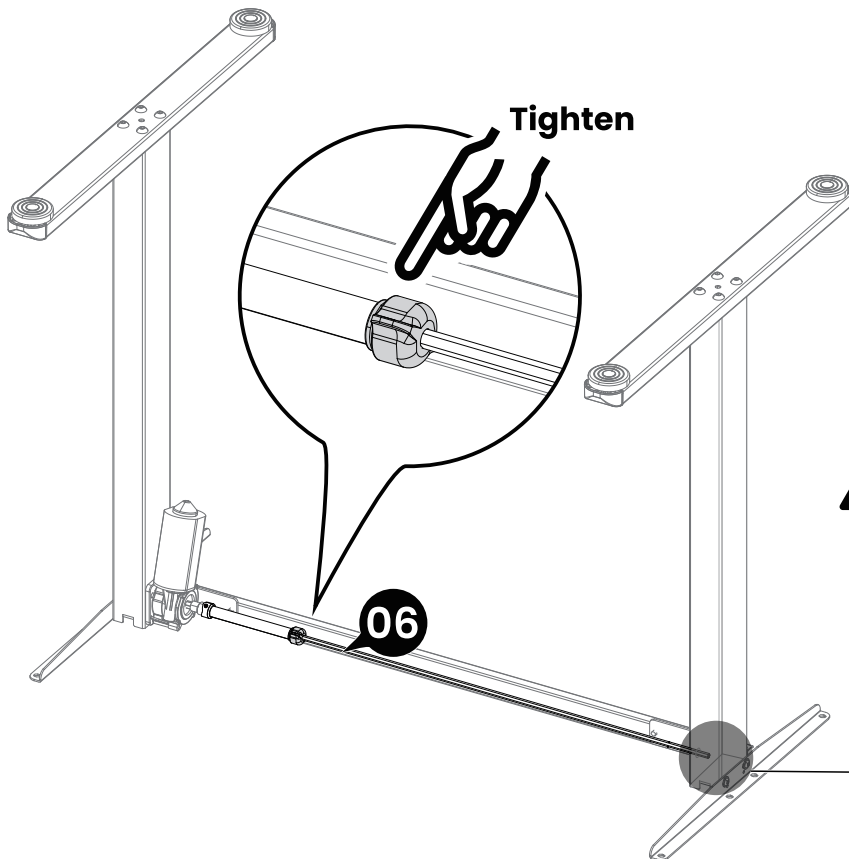
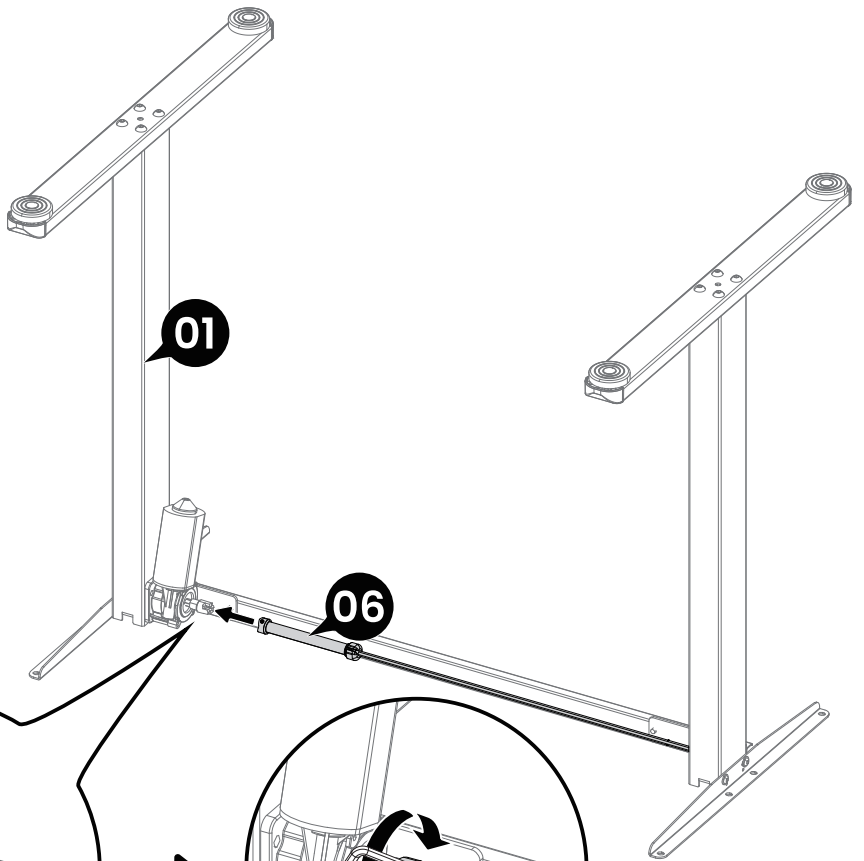
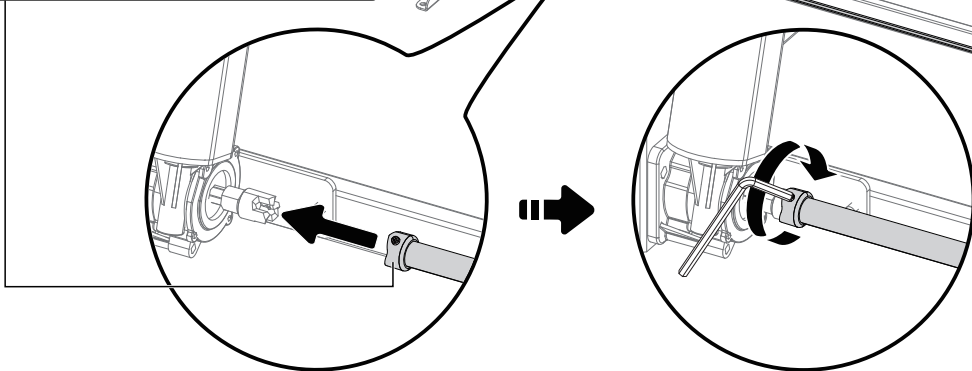
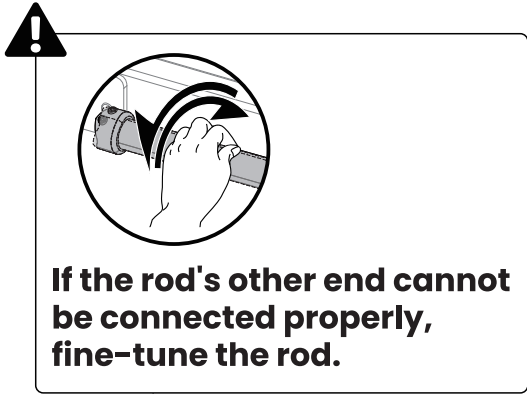
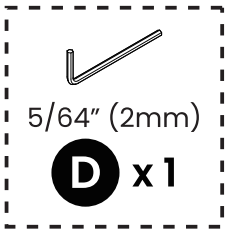


Adjust uneven desk legs if needed

Measure the height of each leg to see if they are set at the same level.

If not, turn the rod to raise or lower the leg until it's level with the leg with motor.



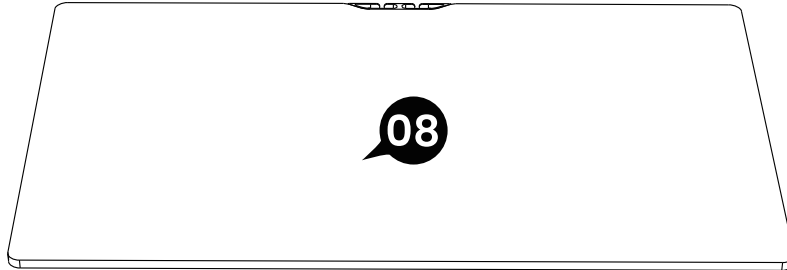


3

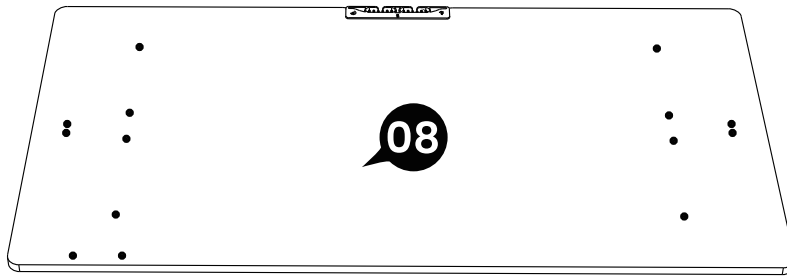
Attaching the Desktop and Other Parts



The dots below indicate pre-drilled hole locations.



Top

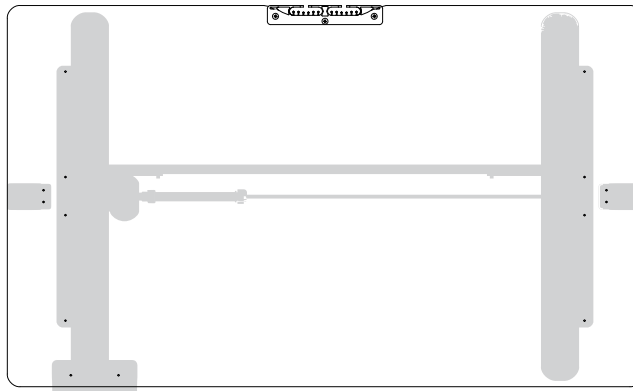


Bottom

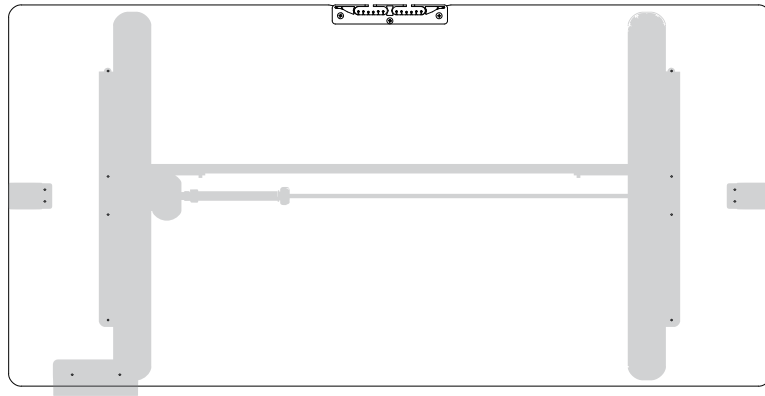


Hole locations may vary for different products.

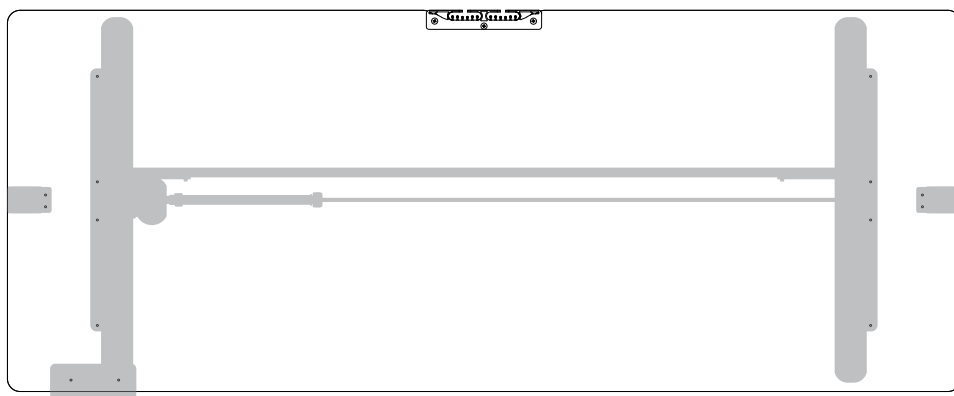
40 x 24" (1000 x 600mm)



48 x 24" (1200 x 600mm)



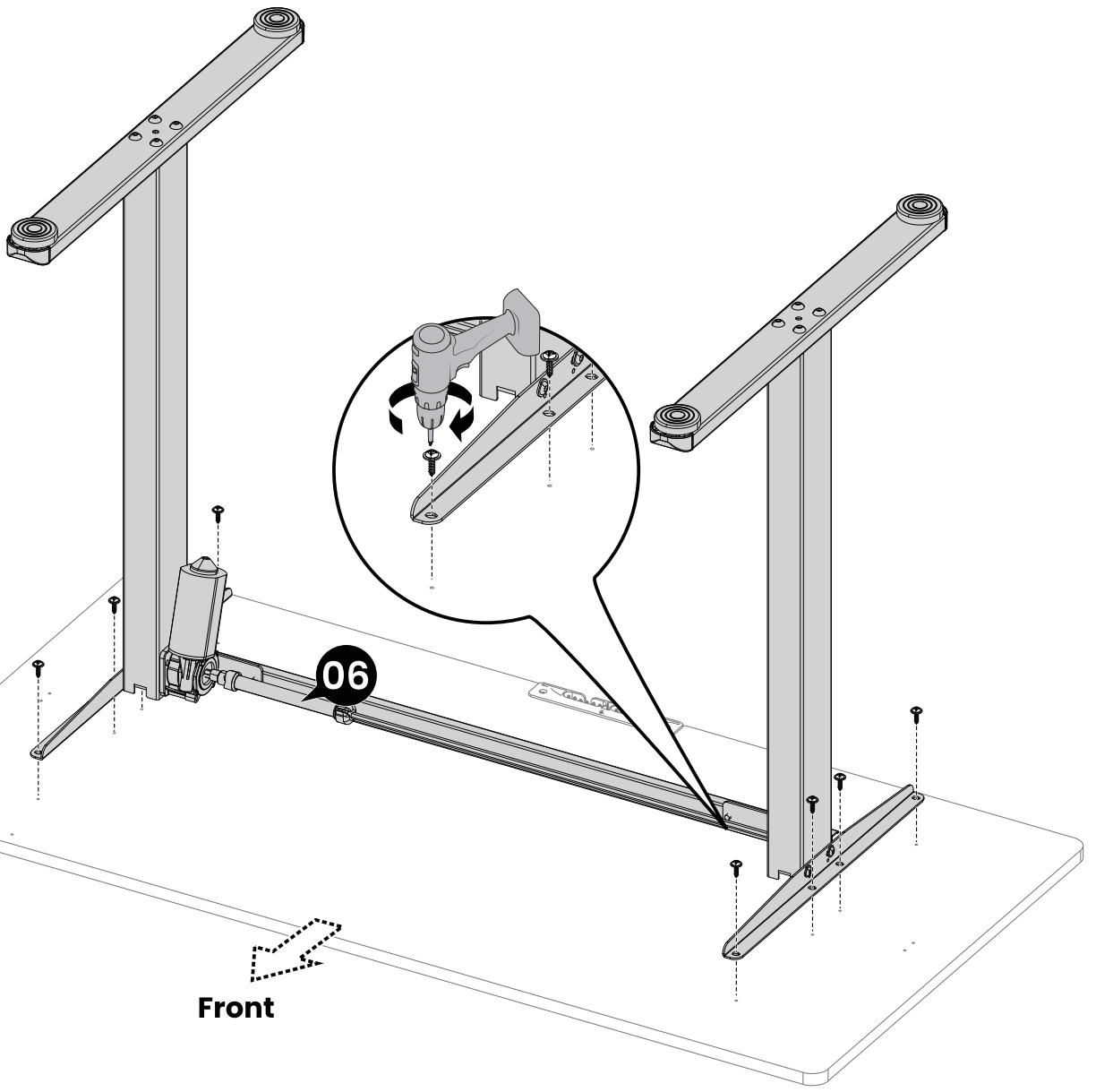
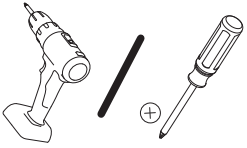
60 x 24" (1500 x 600mm)





M5 x 15mm

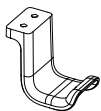
B x 8



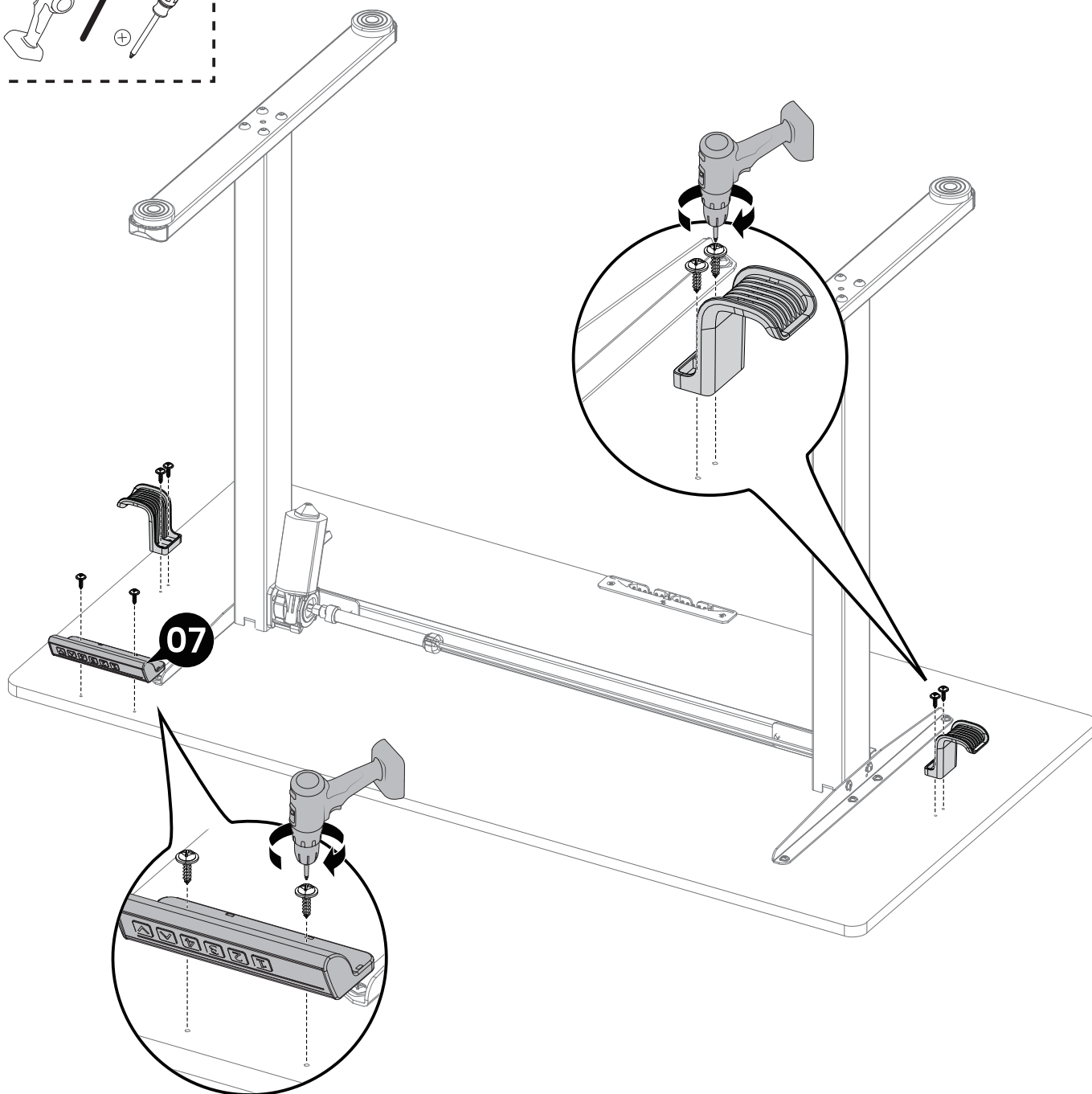
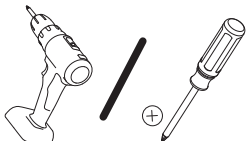


M5 x 15mm

B x 6



F x 2



4

Connecting the Cables



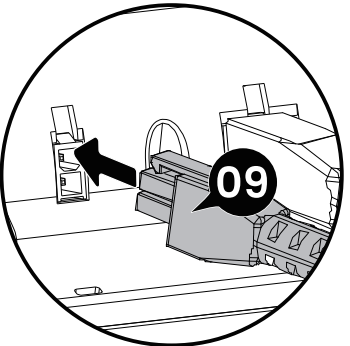
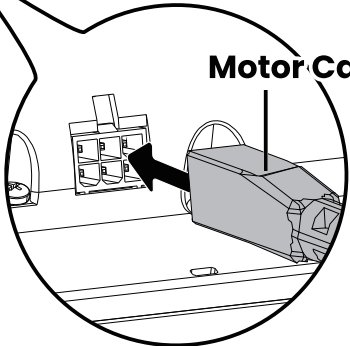
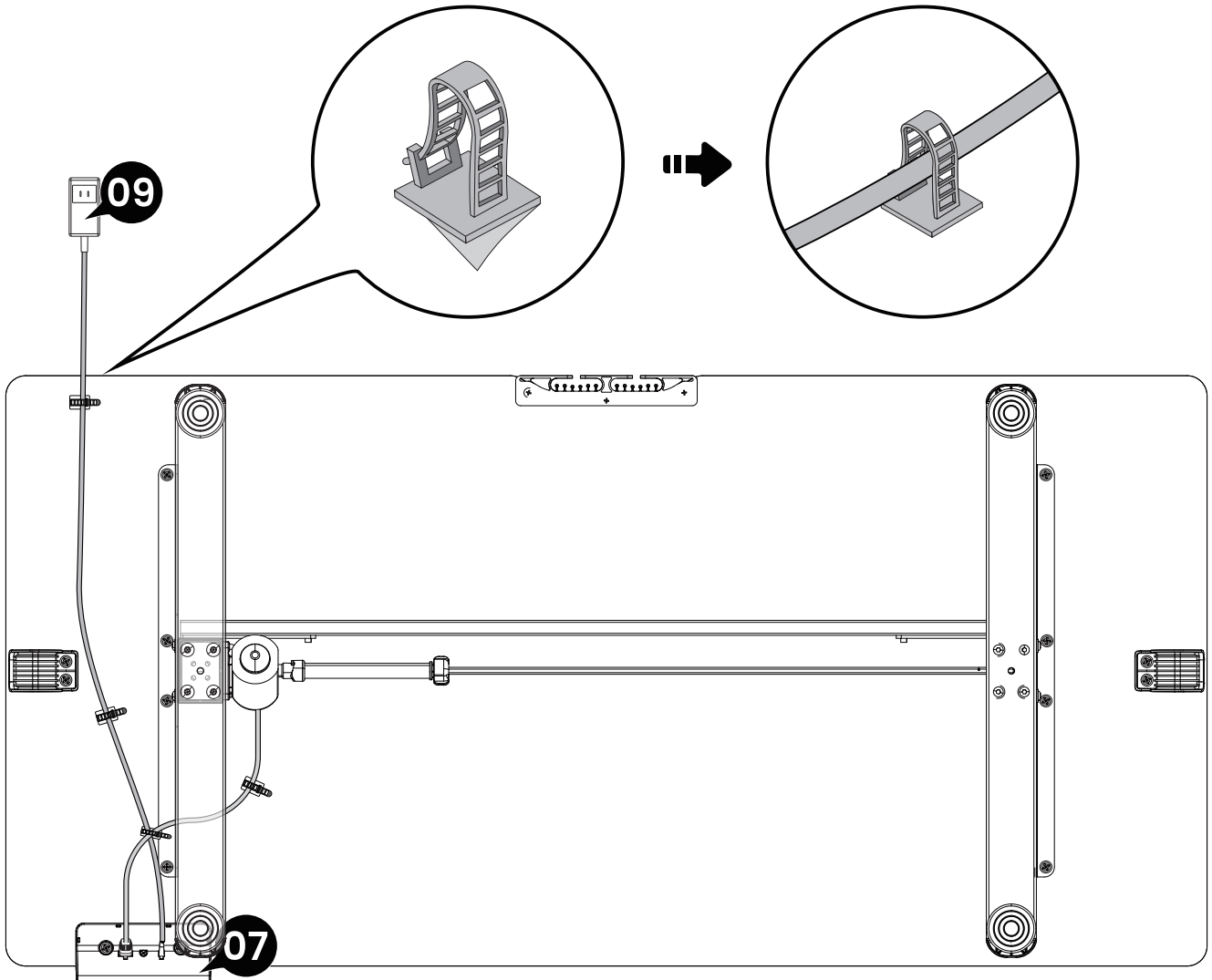
G x 4



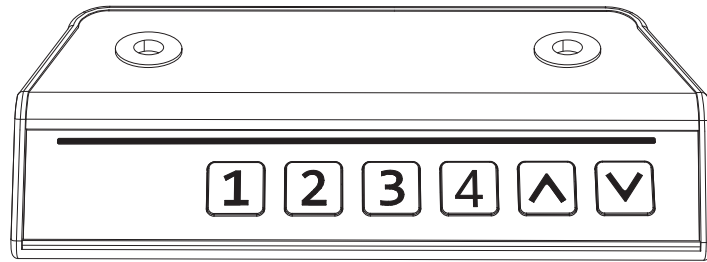
An example of a cable clip layout is indicated below. However, the cable clips can be arranged according to your needs.



When flipping the desk over, make sure the controller does not hit the ground, which could cause damage.



Using the Controller



Note: Ensure that there are no obstacles when using the desk, that the desktop is not too close to the wall, and that all cables are long enough for the desk to move up and down freely. When the controller screen is off (power-saving mode), press any button to wake it before operation.

Raise Desk (Max height: 46.5"/118cm)

Lower Desk (Min height: 28.3"/72cm)

• Save Current Height Setting

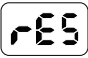
Four heights can be saved. Press and hold the **1**, **2**, **3**, or **4** button for 5 seconds until 'H1,' 'H2,' 'H3,' or 'H4' is displayed. The current height will be saved to that button.

• Select Height Setting

Press the **1** / **2** / **3** / **4** button. The desk will move to the height that was previously set for that button.

Settings

Reset

'RES' displays as  on the screen.

1. Press and hold the button until the desk goes down to its lowest level, then release the button.
2. Press and hold the button for 5 seconds, and the screen will display 'RES.' Continue holding until the desk comes back up slightly. Reset is complete.

Protection Mode Error Codes

Hot	Overheating Protection: When the motor has been working continuously for 5 minutes, it will stop operating to prevent damage from overheating. Wait for at least 15 minutes before making any further height adjustment.
E10	Sensor Malfunction Warning: Motor safety sensor cannot be detected. Power off, disconnect the cables, reconnect the cables, then power back on and perform a reset.
E20	Overload Warning: Max load exceeded. If raising the desk, remove all items from the desk and try again. If lowering the desk, power off, remove all items from the desk, power back on, then try again. If error code persists, follow the reset instructions.
E02	Operation Status Warning: The desk stops moving if vibration, impact, or incline are detected. If this detection is incorrect, follow the reset instructions before continuing use.
E32	Overvoltage Protection: Input voltage too high. If the correct AC adapter is being used, power off, disconnect the cables, reconnect the cables, then power back on and perform a reset.
E31	Undervoltage Protection: Input voltage too low. If the correct AC adapter is being used, power off, disconnect the cables, reconnect the cables, then power back on and perform a reset.
	Cable Connection Failure: No display on the controller screen. Ensure all cables are properly connected and the controller is plugged in before use.