

ASSEMBLY INSTRUCTIONS

TOOLS REQUIRED:

Allen Wrench (Provided, Part E)

BEFORE YOU START:

1. Check the hardware against the hardware list to make sure all items are present.
2. Assemble your furniture on a soft, flat surface to avoid scratching the finish.
3. **CAUTION:** Do not over tighten screws, nuts or bolts during assembly.
4. Your furniture may require occasional tightening.

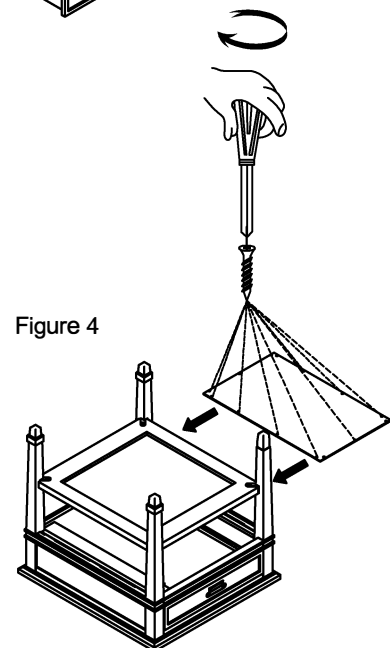
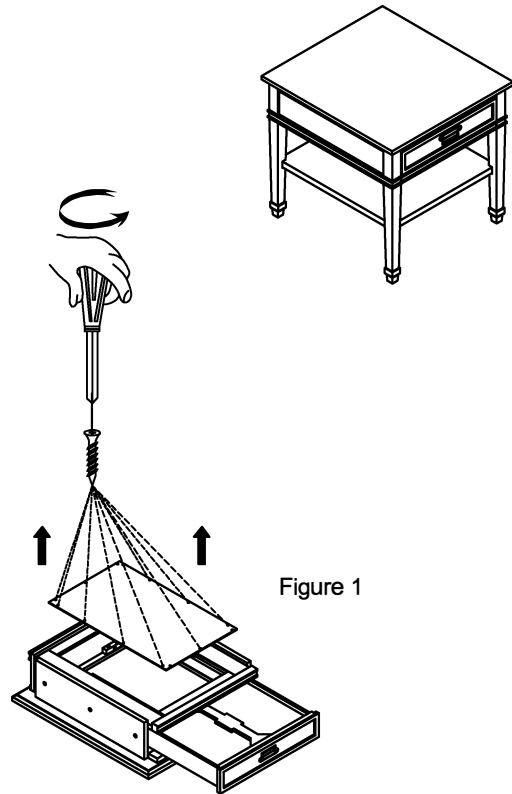
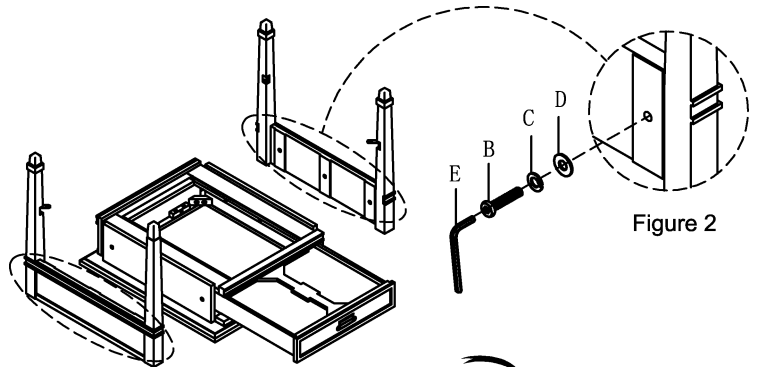
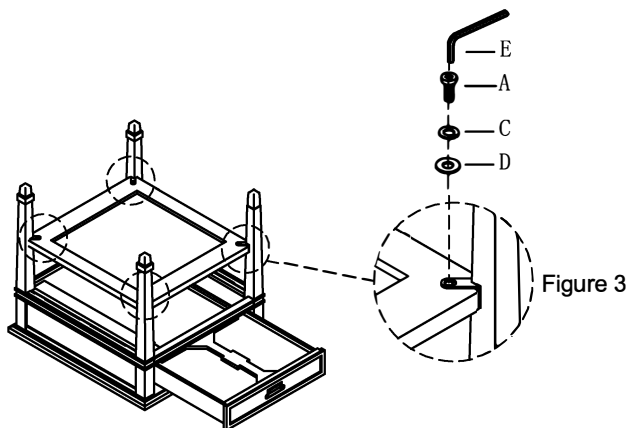
INSTRUCTIONS:






1. Turn the table top frame upside down on to a clean soft surface. Pull out the drawer and then remove the dust panel drawer bottom as shown in Figure 1.

2. Attach leg frame assembly to the table top frame, tighten the bolt (B) with Lock Washer (C) + Flat Washer (D) by Allen Wrench (E) as shown in Figure 2.

3. Insert the bottom panel to the legs and tighten the bolt (A) with Lock Washer (C) + Flat Washer (D) by Allen Wrench (E) as shown in Figure 3

4. Attach dust panel drawer bottom back to the assembled then turn the table back upright and push the drawer in the table as shown in Figure 4 .



No.	HARDWARE LIST	Q'ty
A	 Bolt (Ø1/4"*3/4")	4pcs
B	 Long Bolt (Ø1/4"*1-1/4")	6pcs
C	 Lock Washer (Ø1/4")	10pcs
D	 Flat Washer (Ø1/4"*16mm)	10pcs
E	 Allen Wrench (100*50*4mm)	1pc