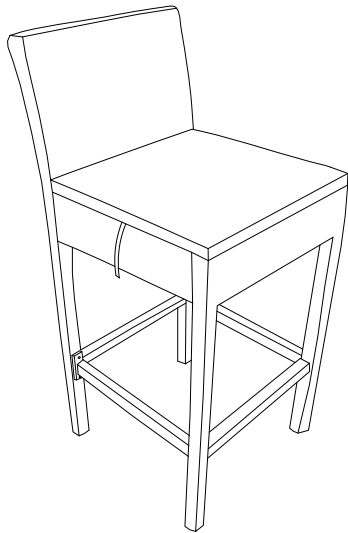


# BAR STOOL





Thank you for purchasing the **BAR STOOL!**

Before you start, here are some helpful advice:

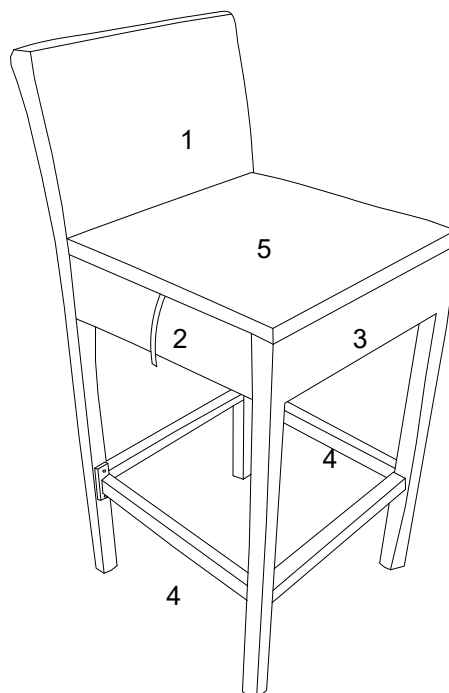
1. We suggest you spend a short time reading through this leaflet and then follow the simple step by step instructions.
2. Owing to the size and weight of the bar stool, we recommend that it is assembled by two adults, on a carpeted or padded area, in the room that it is intended for. Approximate assembly time: 30 minutes.
3. Please do not use any tools other than those provided or recommended in these instructions.
4. Please do not throw away any of the packaging or instructions until you have checked all the components and hardware and the furniture is fully assembled.
5. Assemble all components loosely until advised to tighten. Depending on use, it may be necessary to tighten the components from time to time, so please save the tools that have been provided.
6. Please keep all pieces out of reach of children.



### Hardware:

A		Short Bolt x20mm	x 8
B		Long Bolt x40mm	x 8
C		Flat Washer	x 16
D		Allen Wrench	x 1

### Components:



1	Bar Stool Back	x1	2	Bar Stool Seat	x1	3	Bar Stool Front	x1
4	Stretcher	x2	5	Seat Cushion (Packed separately)				

# BAR STOOL

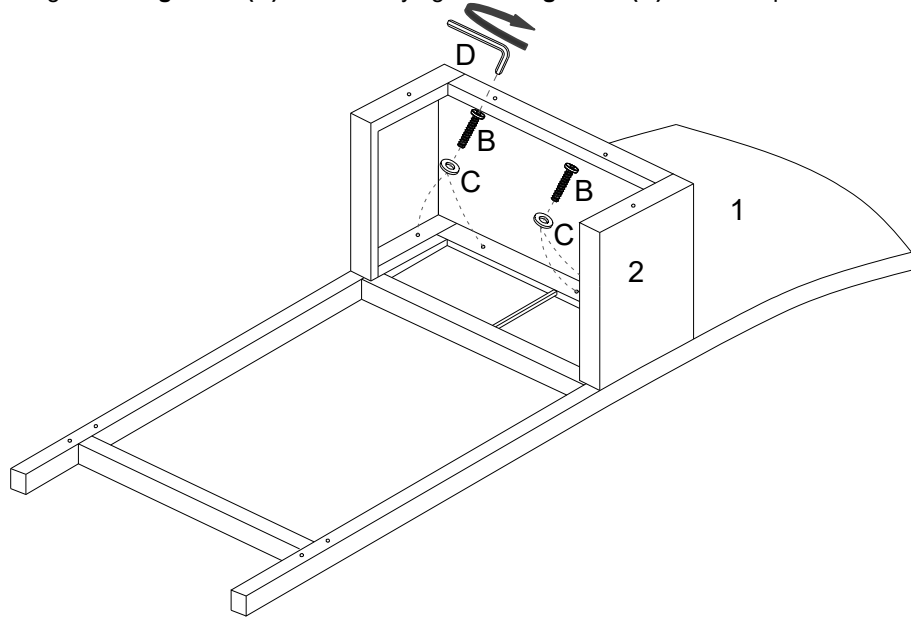
## STEP 1:




Please put **Bar Stool Back (1)** on a carpeted or padded area.

Place **Bar Stool Seat (2)** to **Bar Stool Back (1)** as shown.

Insert 4 pieces of **Long Bolt (B)** with 4 pieces of **Flat Washer (C)** into the holes on **Bar Stool Back (1)** through the holes on **Bar Stool Seat (2)**.

Use **Allen Wrench (D)** to tighten **Long Bolts (B)**. Do not fully tighten **Long Bolts (B)** at this step.



		
Bx4	Cx4	Dx1

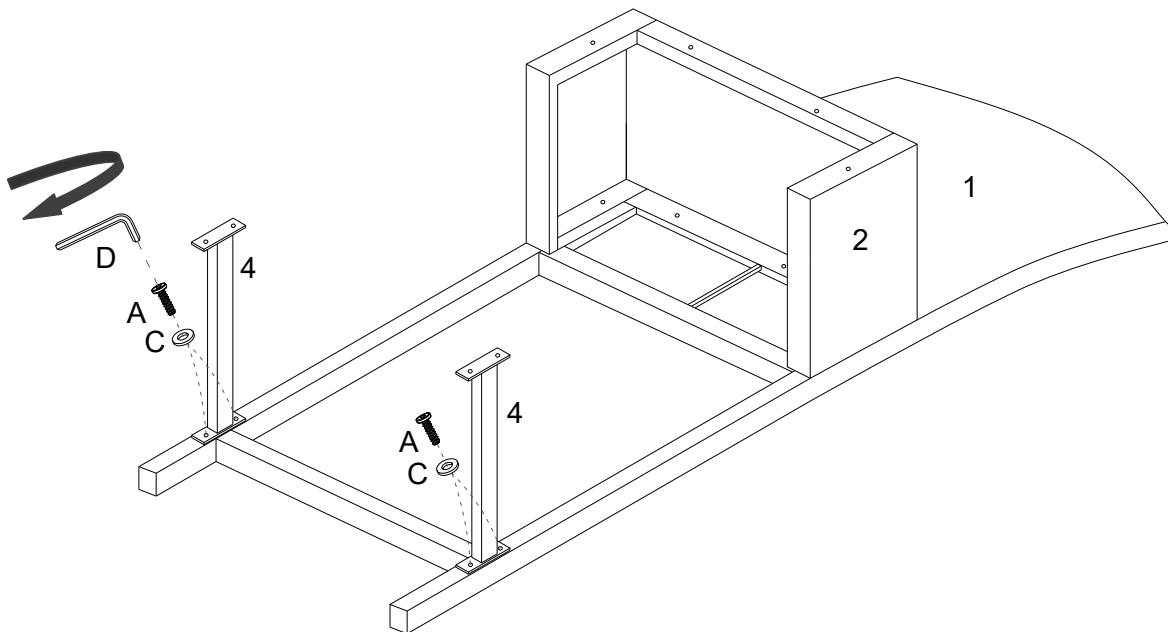
Hardware & Tool required




## STEP 2:

Place **Stretchers (4)** to the assembled **Bar Stool Back (1)** and **Bar Stool Seat (2)** as shown.

Insert 4 pieces of **Short Bolt (A)** with 4 pieces of **Flat Washer (C)** into the holes on **Bar Stool Back (1)** through the holes on **Stretchers (4)**.

Use **Allen Wrench (D)** to tighten **Short Bolts (A)**. Do not fully tighten **Short Bolts (A)** at this step.



		
Ax4	Cx4	Dx1

Hardware & Tool required

# BAR STOOL

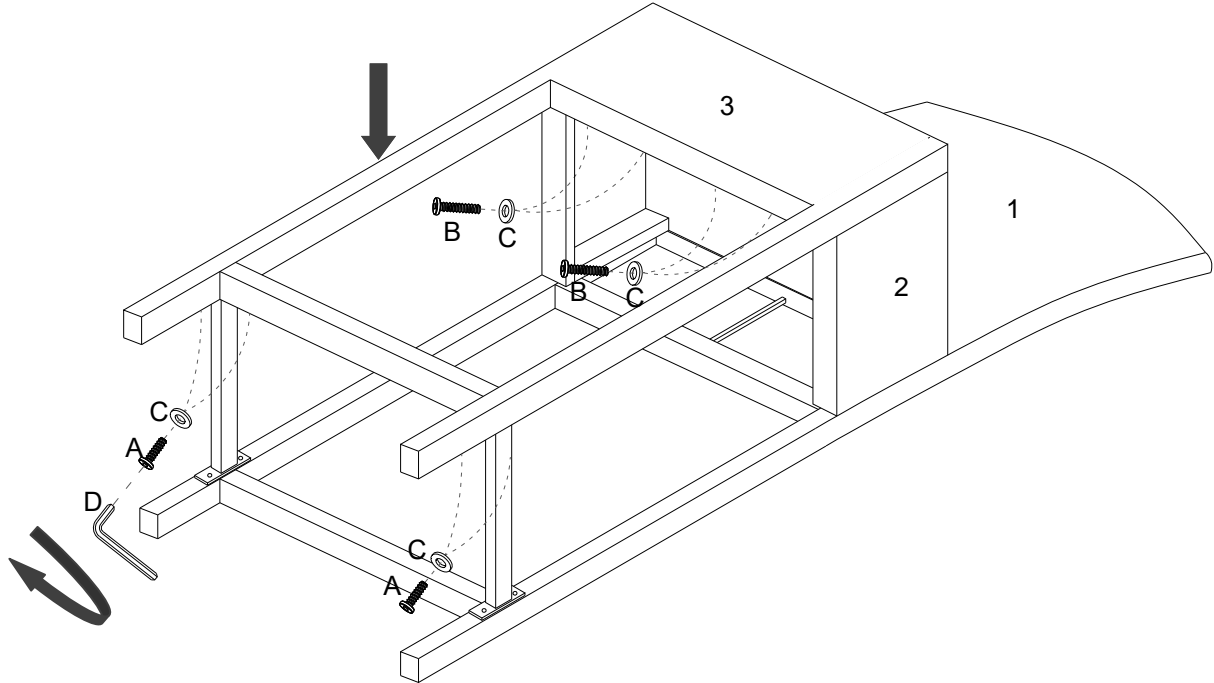
## STEP 3:

Put **Bar Stool Front (3)** to the assembled **Bar Stool Back (1)**, **Bar Stool Seat (2)** and **Stretchers (4)** as shown.

Insert 4 pieces of **Long Bolt (B)** with 4 pieces of **Flat Washer (C)** into the holes on **Bar Stool Front (3)** through the holes on **Bar Stool Seat (2)**

Insert 4 pieces of **Short Bolt (A)** with 4 pieces of **Flat Washer (C)** into the holes on **Bar Stool Back (1)** through the holes on **Stretchers (4)**.

Use **Allen Wrench (D)** to tighten all the **Short Bolts (A)** and **Long Bolts (B)**. Do not fully tighten the **Bolts (A&B)** at this step.



Ax4	Bx4	Cx8	Dx1

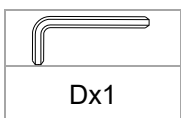
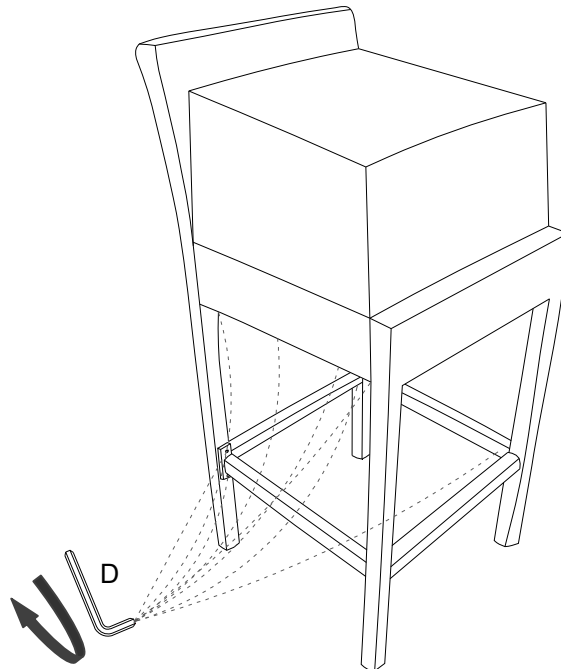
Hardware & Tool required

## STEP 4:

Carefully turn over the assembled Bar Stool.

Please put a heavy object or seat one adult on top of the assembled Bar Stool to press the bar stool for leveling.

Use **Allen Wrench (D)** to tighten all the **Short Bolts (A)** and **Long Bolts (B)** clockwise until secure.



Assembly is complete. Your Bar Stool are ready to be used now!

Hardware & Tool required

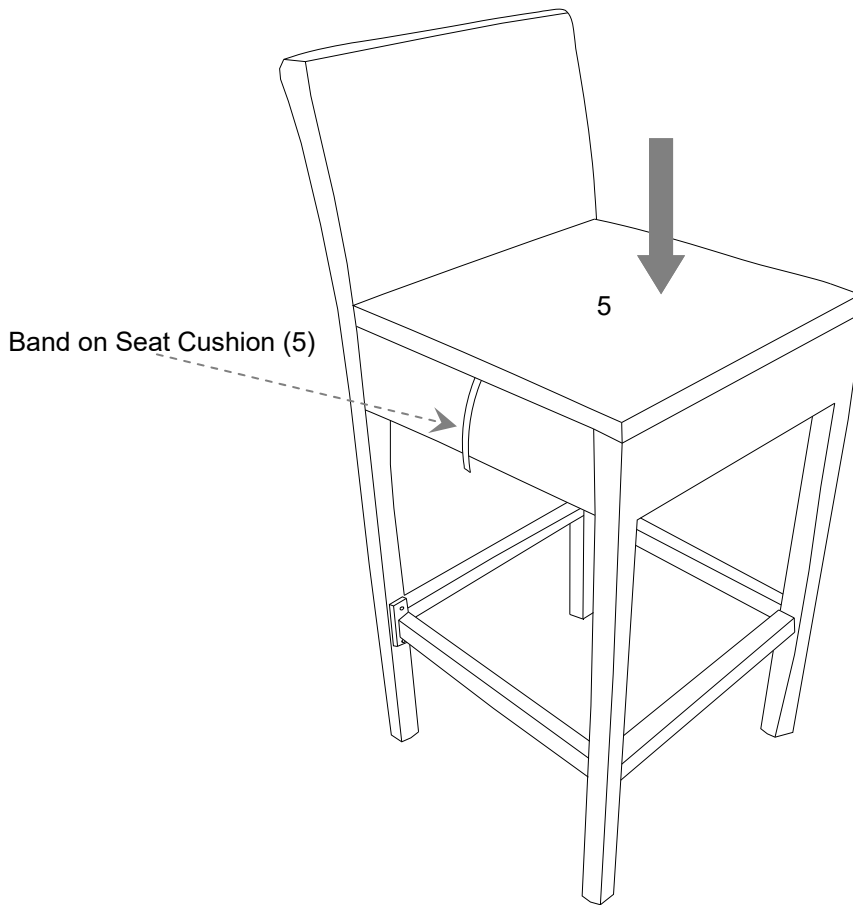
## BAR STOOL

---

### STEP 5:

Carefully put **Seat Cushion (5)** to **Bar Stool Seat (2)**.

Fasten **Seat Cushion (5)** to **Bar Stool Seat (2)** by using the band on **Seat Cushion (5)** as shown.

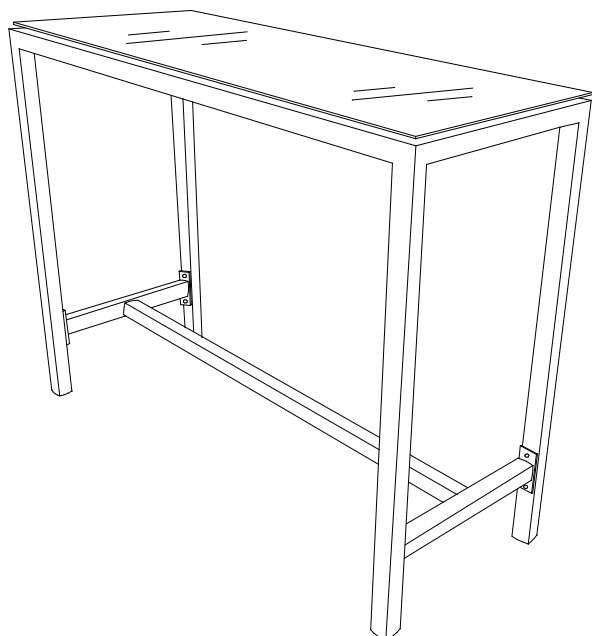


# BAR TABLE

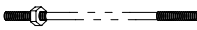




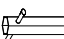




Thank you for purchasing the **BAR TABLE**.

Before you start, here are some helpful advice:

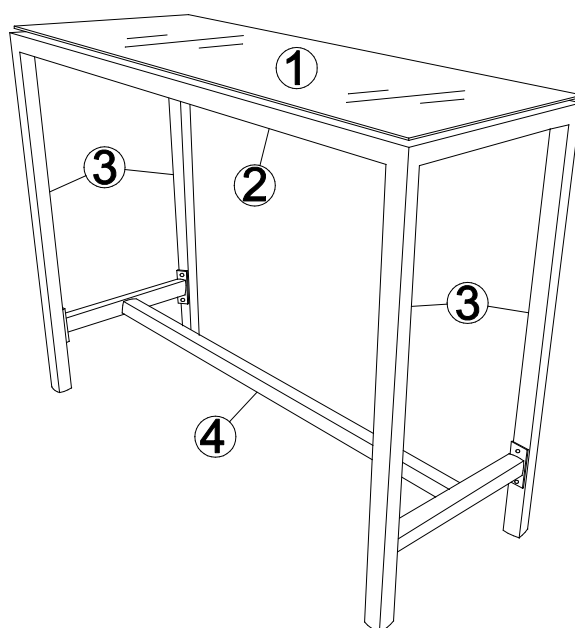
1. We suggest you spend a short time reading through this leaflet and then follow the simple step-by-step instructions.
2. Owing to the size and weight of the Bar Table, we recommend that it is assembled by two adults, on a carpeted or padded area, in the room that it is intended for. Approximate assembly time: 30 minutes.
3. Please do not use any tools other than those provided or recommended in these instructions.
4. Please do not throw away any of the packaging or the instruction until you have checked all the components and hardware and the furniture is fully assembled. Please ensure that the packaging is disposed of in a safe and environmentally friendly way.
5. Assemble all components loosely until advised to tighten. Depending on use, it may be necessary to tighten the components from time to time, so please save the tools that have been provided.
6. Please keep all pieces out of reach of children.



## Hardware:

A.		Double-End Bolt	
B.		Bolt M6x20mm	x8
C.		Flat Washer Dia22mm	x8
D.		Spring Washer 1/4	x8
E.		Nut 1/4	x4
F.		Wrench 1/4	x1
G.		Flat Washer Dia18mm	x8
H.		Allen Wrench	x1
I.		Plastic Cover	x4
J.		Hammer (Not Provided)	

## Components:

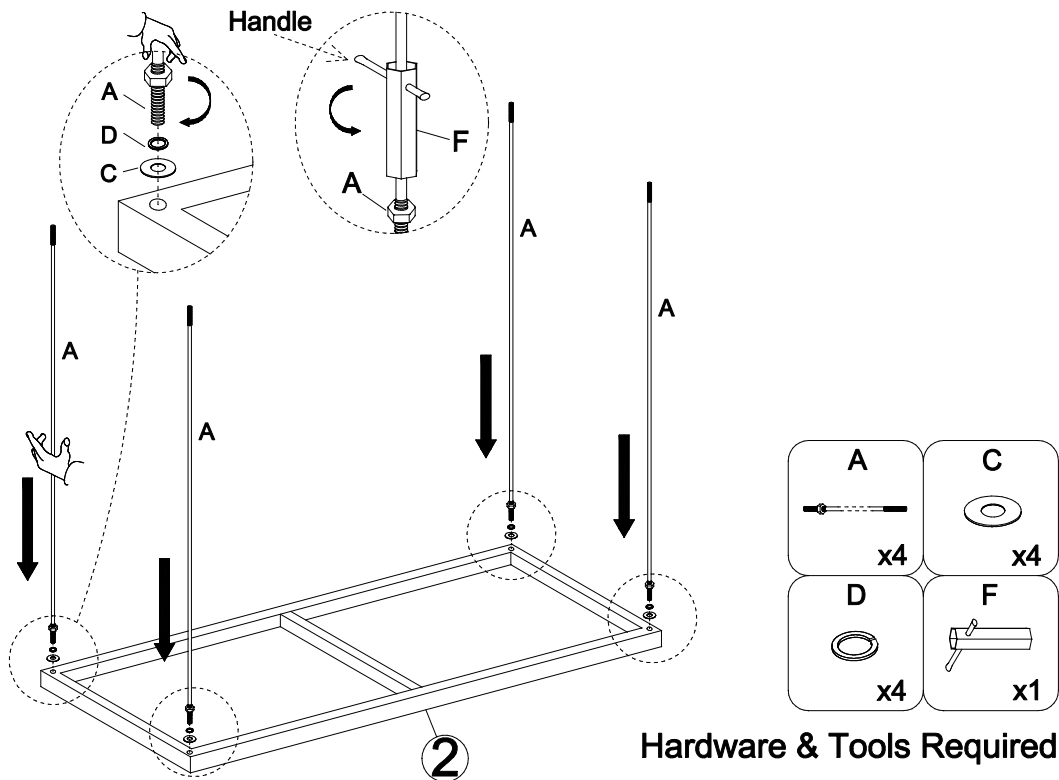


1. Table Glass	x1	2. Table Top	x1	3. Table Leg	x4	4. Stretcher	x1
----------------	----	--------------	----	--------------	----	--------------	----

# BAR TABLE

## STEP 1:

1. Please put **Table Top (2)** upside down on a carpeted or padded area.
2. Fully secure 4 pieces of **Double-End Bolts (A)** with 4 pieces of **Flat Washers (C)** and 4 pieces of **Spring Washers (D)** into the bottom of **Table Top (2)** as shown.
3. Secure the assembled **Double-End Bolts (A)** towards **Table Top (2)** by hand as shown.
4. Insert **Wrench (F)** without handle into the assembled **Double-End Bolts (A)** and use **Wrench (F)** to fully secure nuts which preassembled on **Double-End Bolts (A)** by inserting half of handle into **Wrench (F)** as shown.

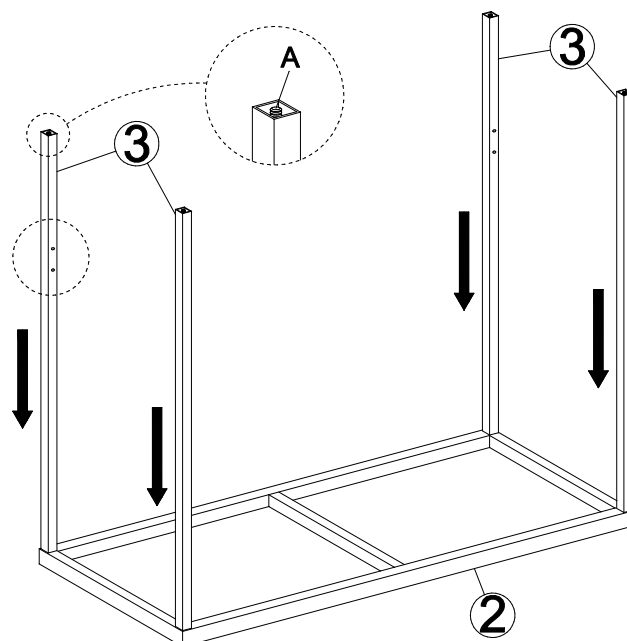


## STEP 2:

Put 4 pieces of **Table Legs (3)** to **Table Top (2)** through the assembled **Double-End Bolts (A)** as shown.

### Noted:

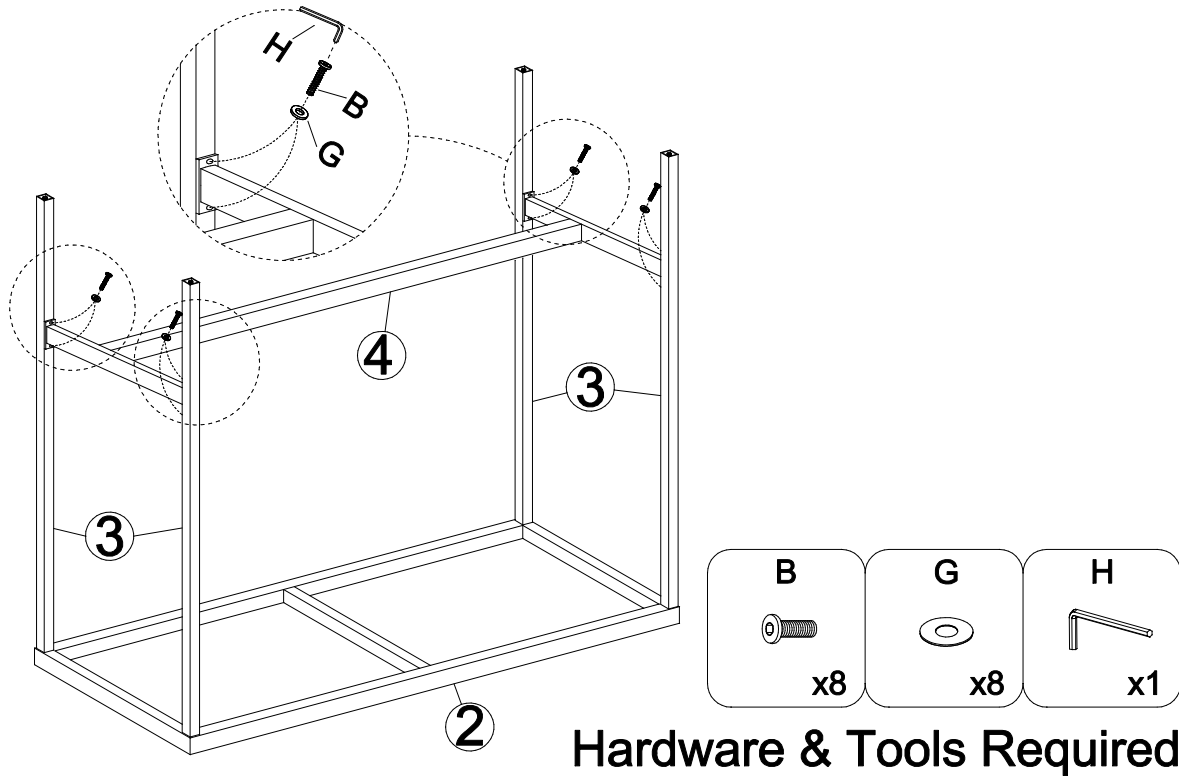
This side with middle of pre-drilled holes face toward to another leg.



# BAR TABLE

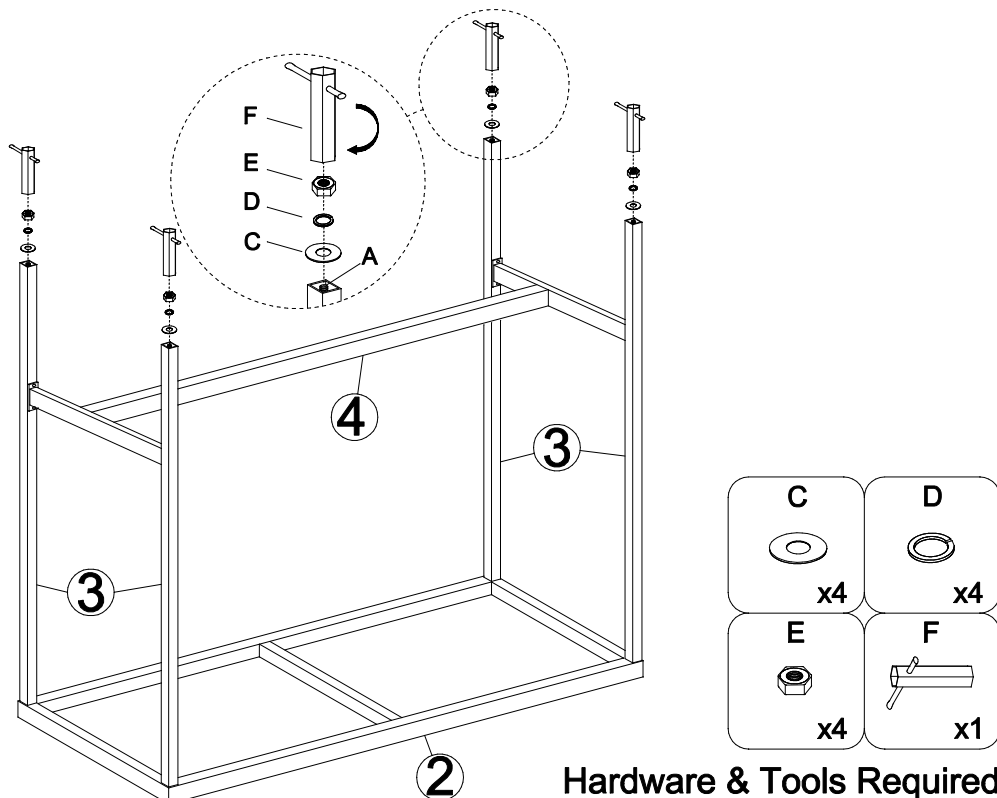
## STEP 3:

1. Place **Stretcher (4)** to the assembled **Table Top (2)** and **Table Legs (3)** as shown.
2. Insert 8 pieces of **Bolts (B)** with 8 pieces of **Flat Washers (G)** into the holes on **Table Legs (3)** through the holes on **Stretcher (4)**.
3. Use **Allen Wrench (H)** to tighten all **Bolts (B)** clockwise until secure.



## STEP 4:

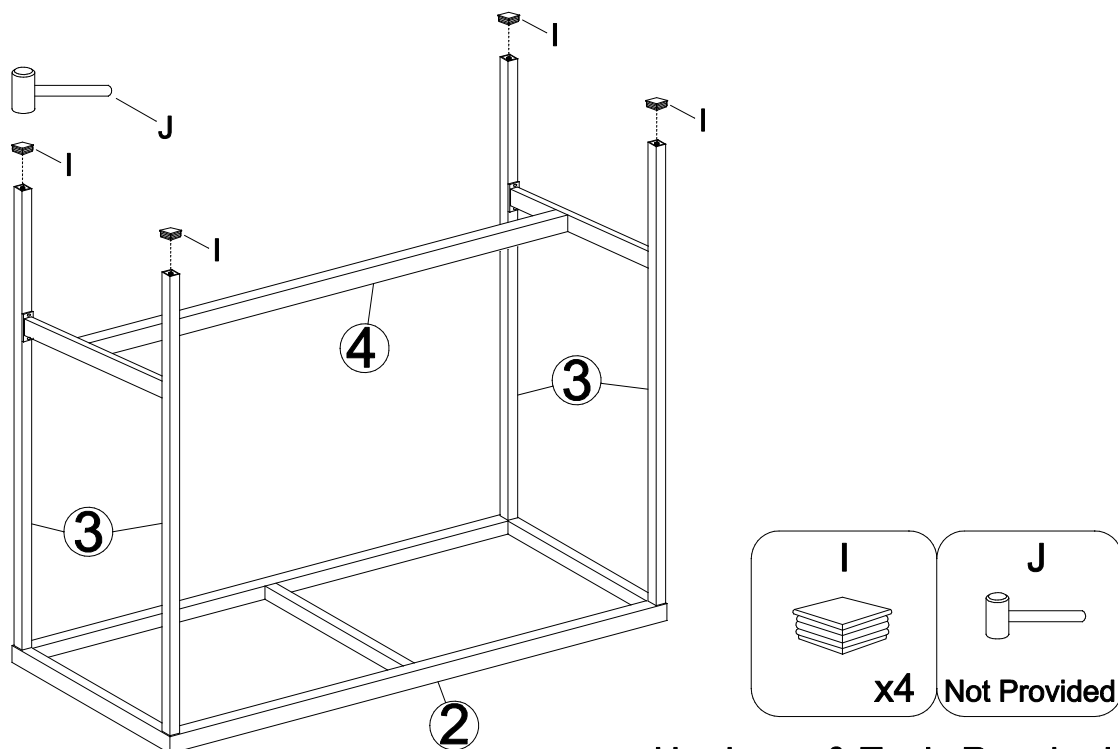
1. Secure 4 pieces of **Nuts (E)**, 4 pieces of **Spring Washers (D)** and 4 pieces of **Flat Washers (C)** to the other end of assembled **Double-End Bolts (A)** as shown.
2. Use **Wrench (F)** to tighten all **Nuts (E)** clockwise until secure.



# BAR TABLE

## STEP 5:

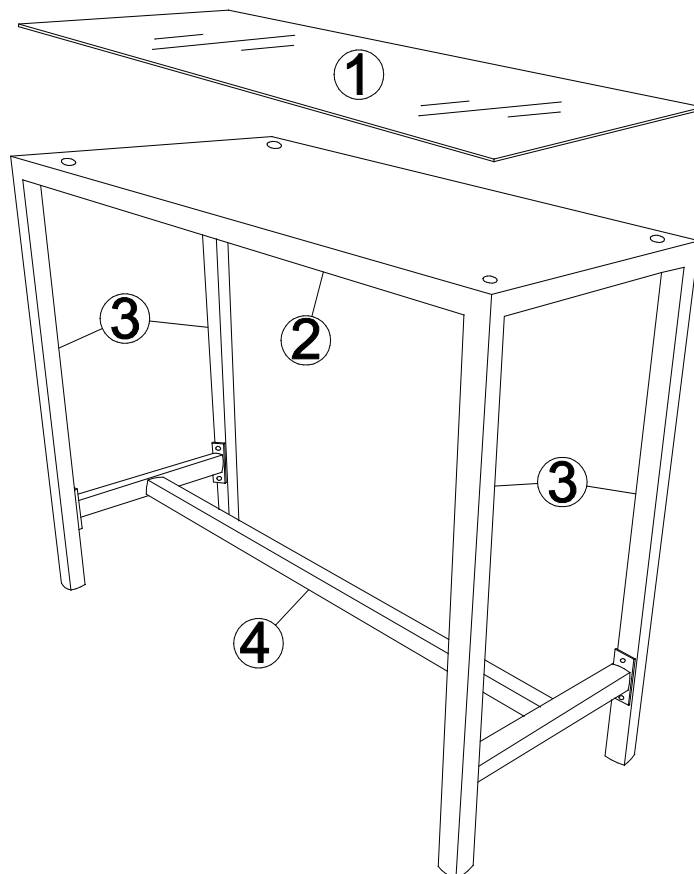
Insert 4 pieces of **Plastic Covers (I)** into the assembled **Table Legs (3)** by using **Hammer (J)** as shown.



## Hardware & Tools Required

## STEP 6:

1. Carefully turn over the assembled bar table.
2. Put **Table Glass (1)** to the **Table Top (2)** as shown.



Assembly is complete. Your Bar Table is ready to enjoy now!