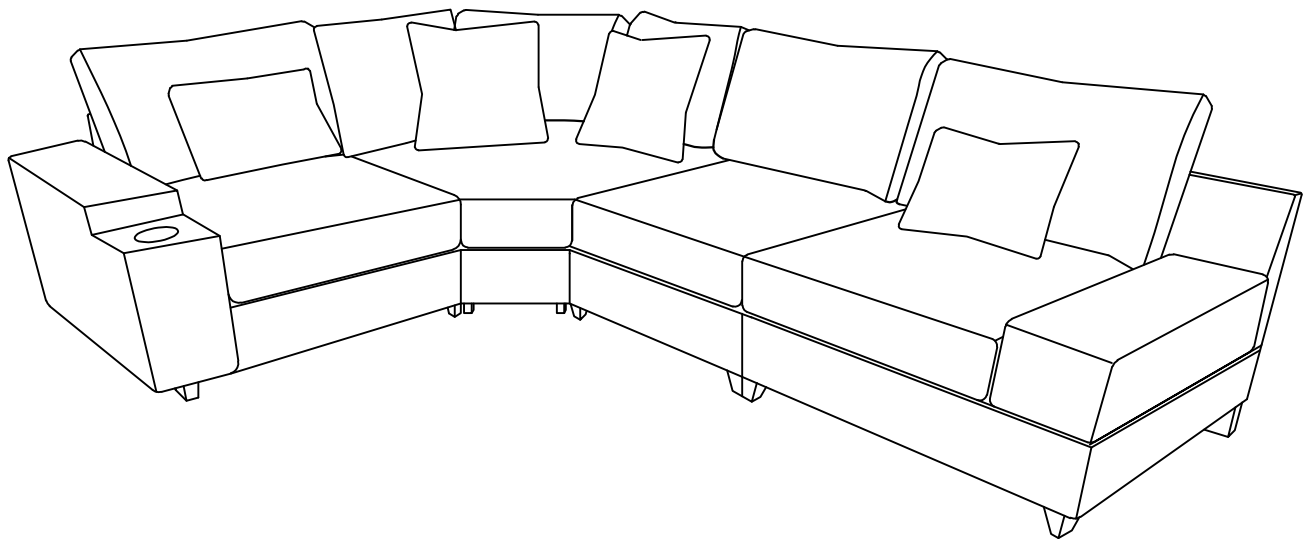


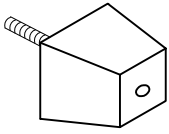
# ASSEMBLY INSTRUCTIONS

Compression must wait for 72 hours before it can be unfolded, and it needs to be flapped by hand

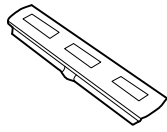


WF315518/WF315519/WF315520/WF315521/WF316008

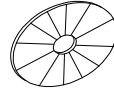
parts list



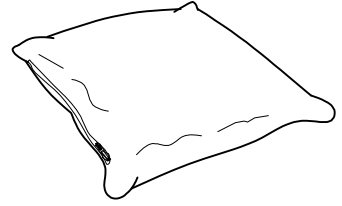
**A:**Plastic feet  
17pcs



**B:**Inserts  
12pcs



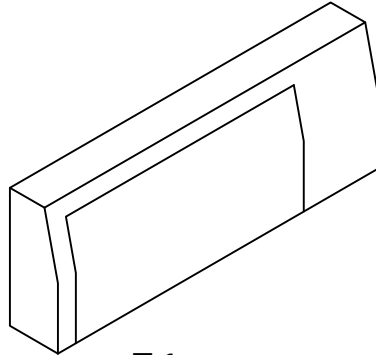
**C:**Plastic gaskets  
17pcs



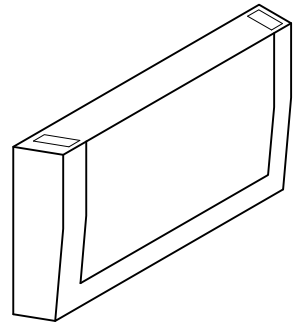
**D:**Pillow  
2pcs



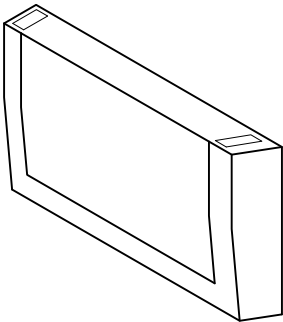
**E:**Backpack  
2pcs



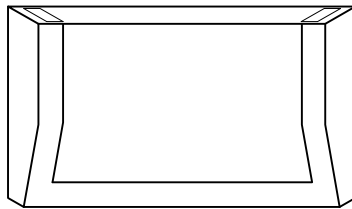
**F1:**Backbracket  
1pcs



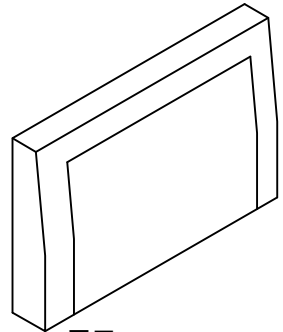
**F2:**Right Backbracket  
1pcs



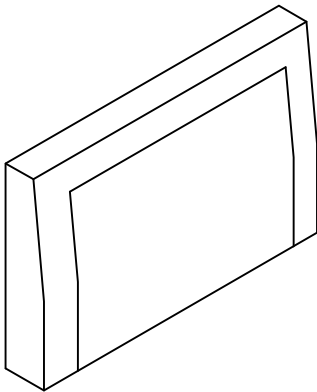
**F3:**Left Backbracket  
1pcs



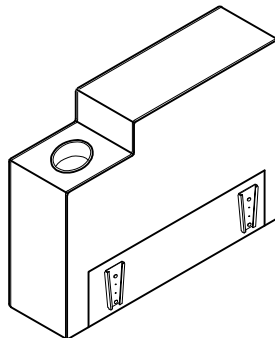
**F4:**Middle back frame  
1pcs



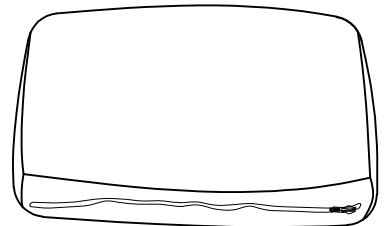
**F5:**Backbracket  
1pcs



**F6:**Backbracket  
1pcs

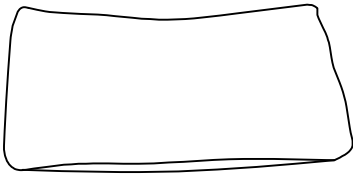


**G:**handrail  
1pcs

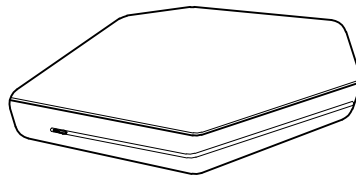


**H:**Backpack  
1pcs

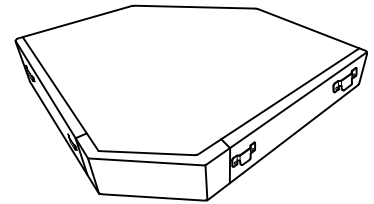
parts list



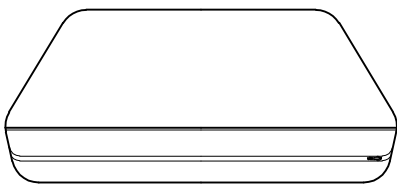
**I:**Lumbarpillow  
2pcs



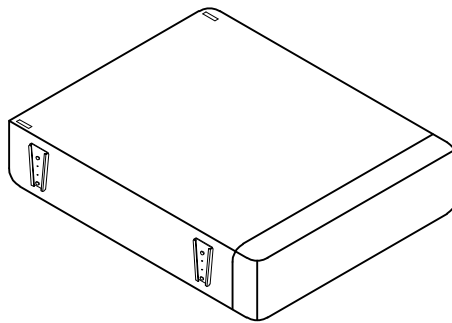
**J:**Cushion  
1pcs



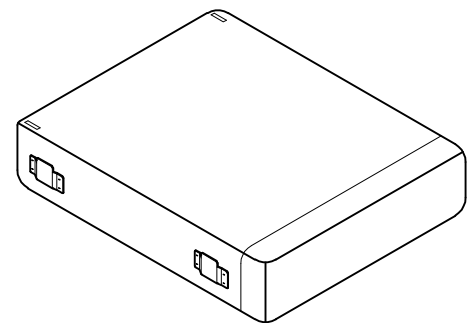
**K:**Seat frame  
1pcs



**L:**cushion  
2pcs



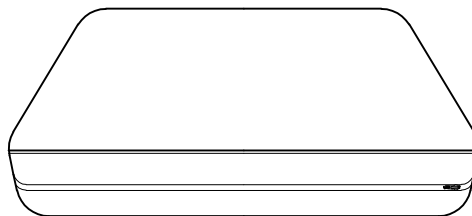
**M1:**Seat frame  
1pcs



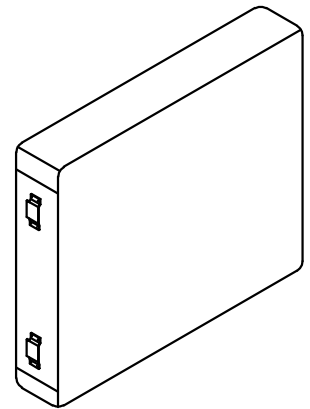
**M2:**Seat frame  
1pcs



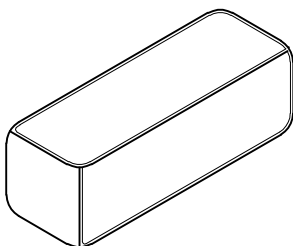
**N:**Long backpack  
1pcs



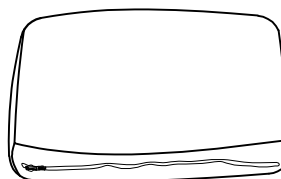
**O:**Long cushion  
1pcs



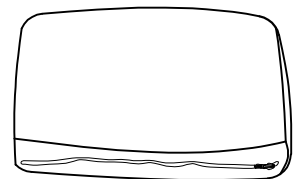
**P:**Long seat frame  
1pcs



**R:**Armrest bag  
1pcs



**S:**Right backpack  
1pcs



**T:**Left backpack  
1pcs

packing list

WF315518: Kx1 Jx1 F2x1 F3x1 F4x1 Dx1 lx2 Hx1 Sx1 Tx1

WF315519: Ex1 F6x1 M2x1 Lx1

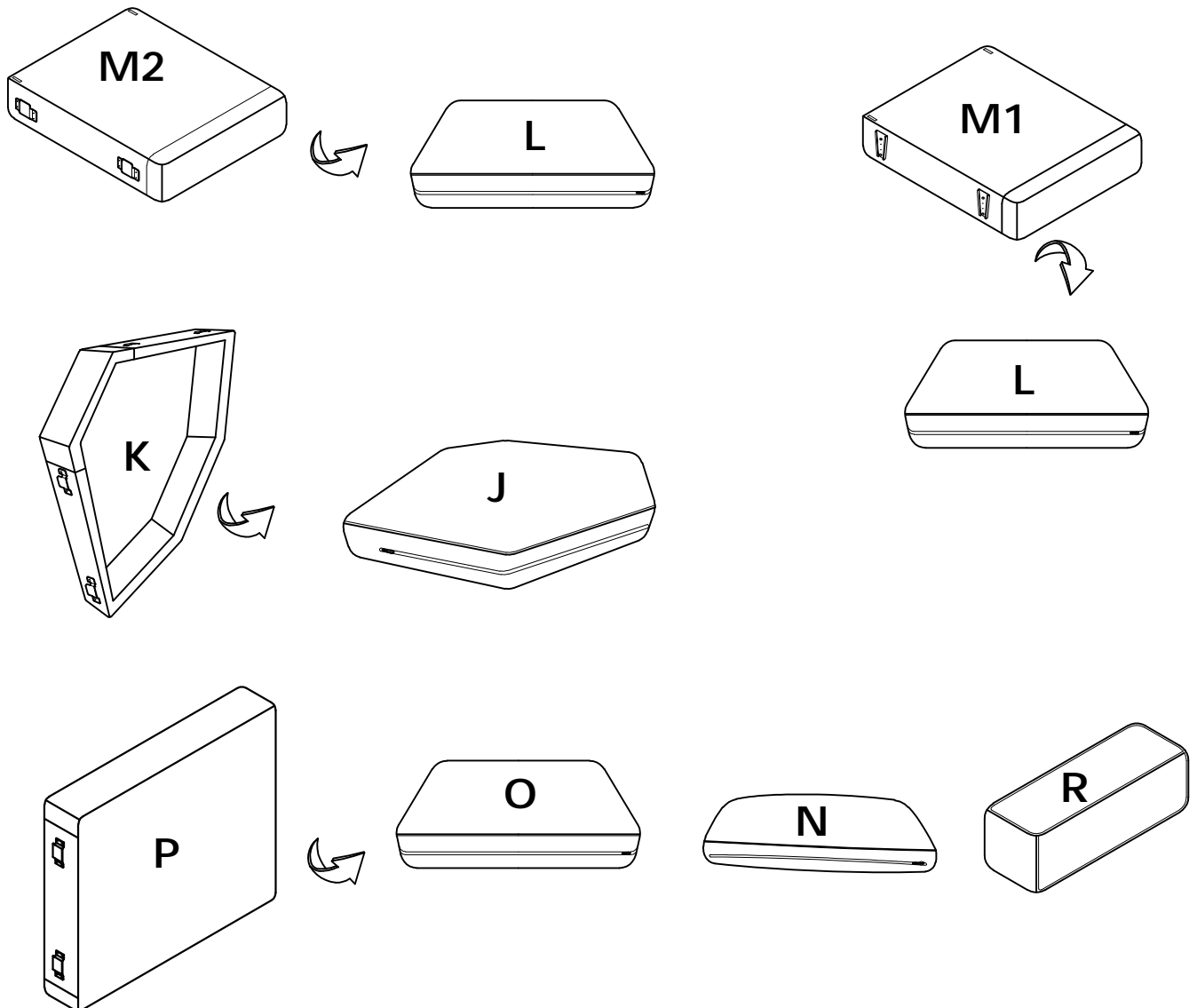
WF315520: Ox1 Px1 Rx1 Nx1

WF315521: Ax17 Bx12 Cx17 Dx1 F1x1 Gx1

WF316008: Ex1 F5x1 Lx1 M1x1

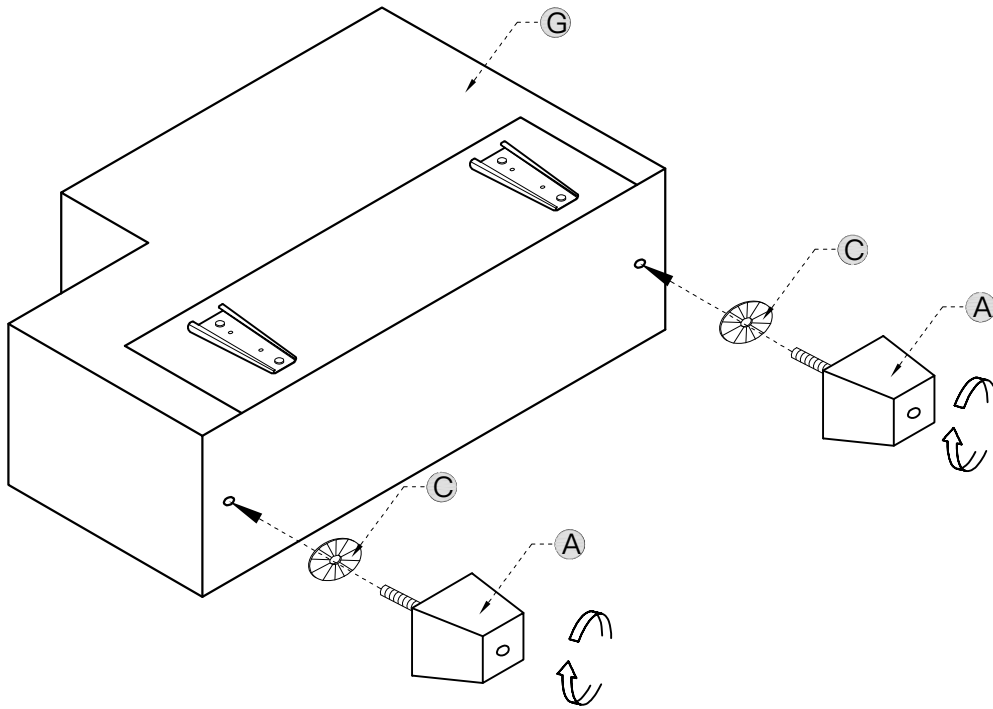
Note

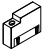


Note: Some packages are as follows. The left armrest single seat (M1) is equipped with a cushion (L), the corner seat (K) is equipped with a cushion (J), no single seat frame (M2) is equipped with a cushion (L), and the right armrest single seat (P) is equipped with a cushion (O), backpack (N), armrest bag (R).



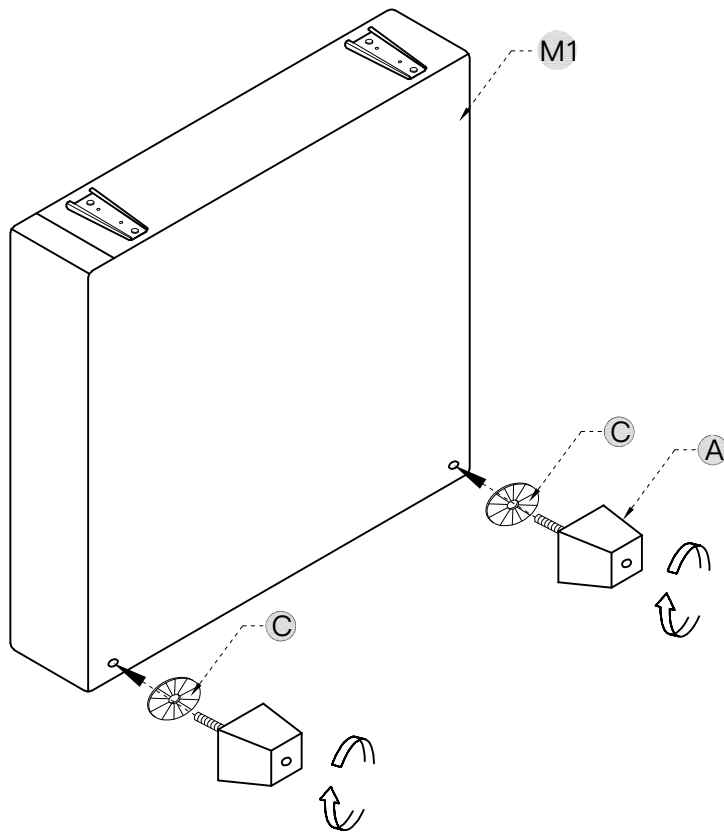
Installation method




Step 1



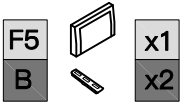
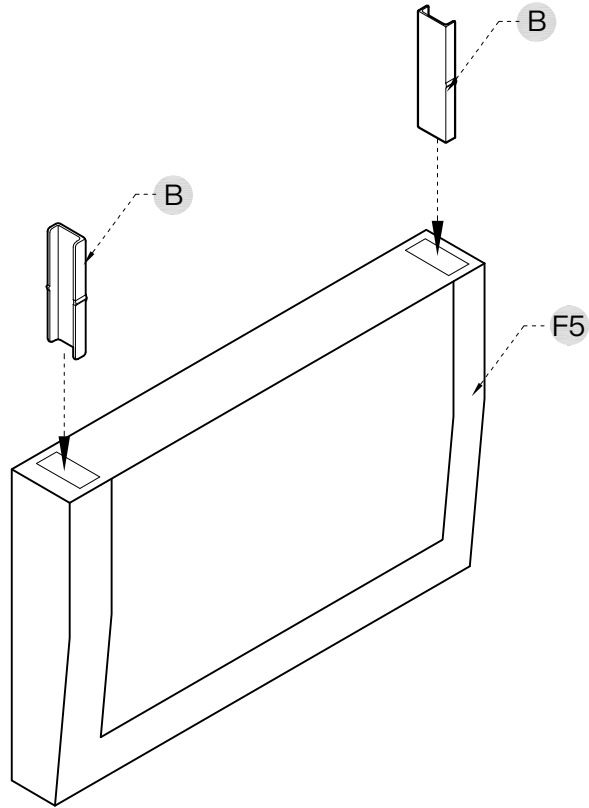
G		x1
A		x2
C		x2

Step 2

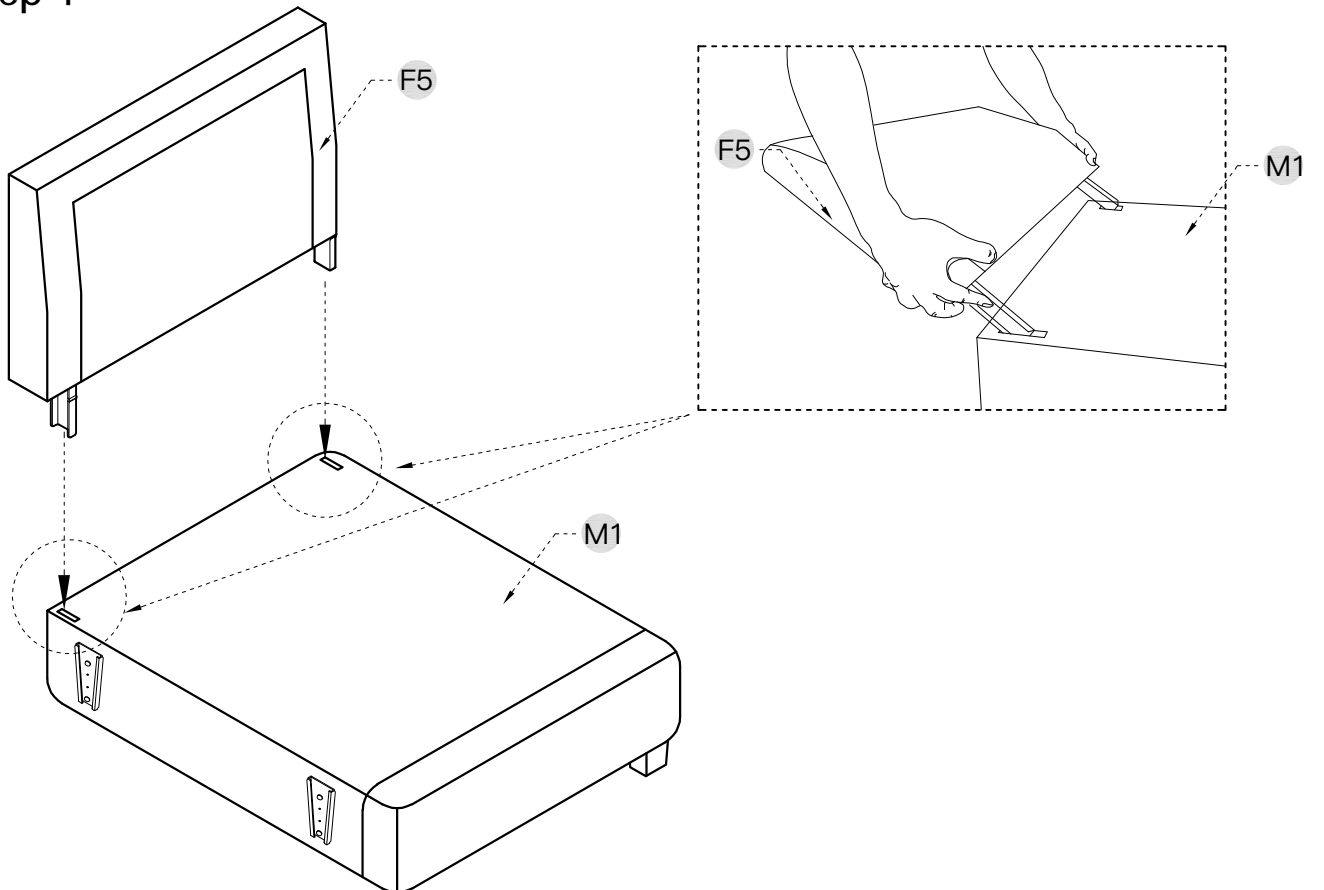


M1		x1
A		x2
C		x2

Step 3

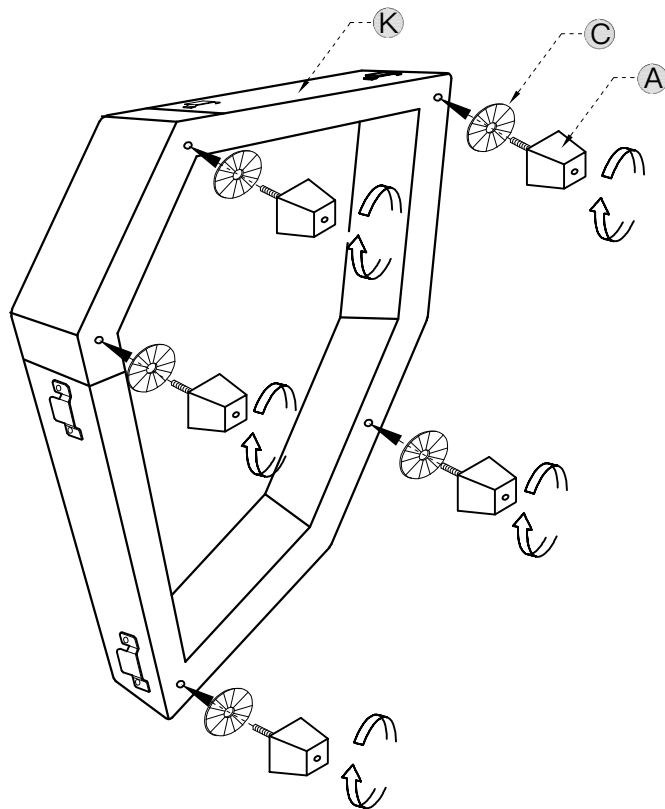


Step 4



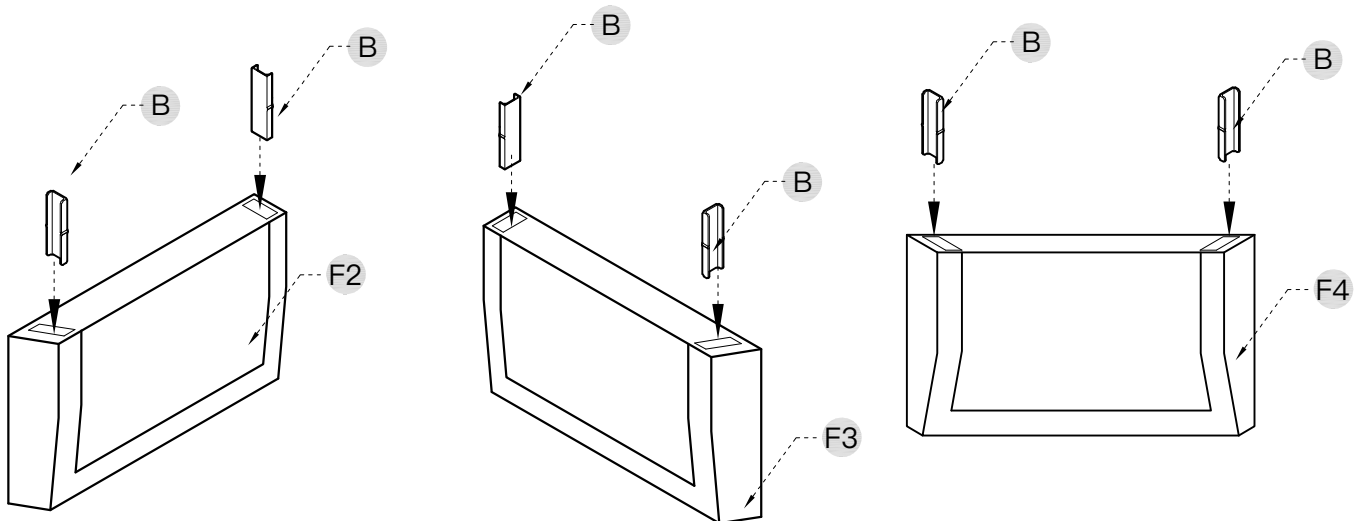
Installation method

Step 5



- |   |  |    |
|---|--|----|
| K |  | x1 |
| A |  | x5 |
| C |  | x5 |

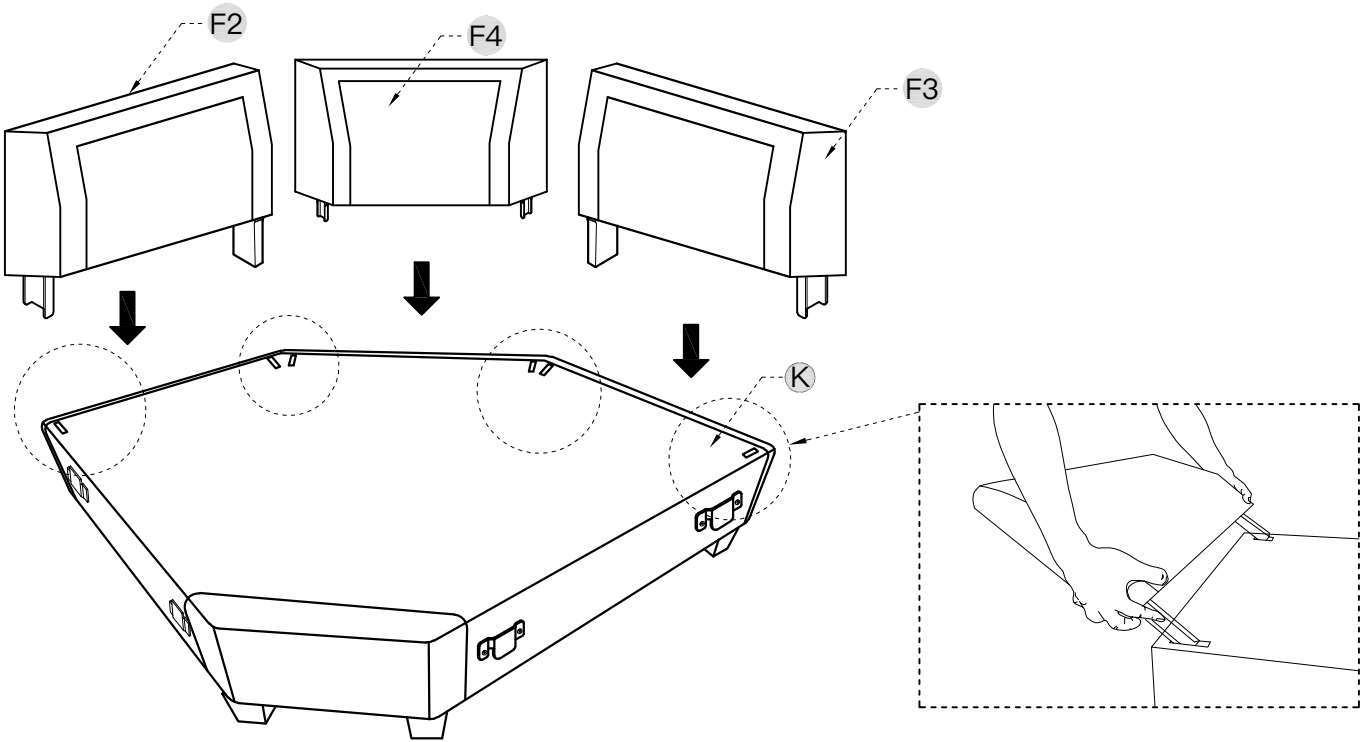
Step 6



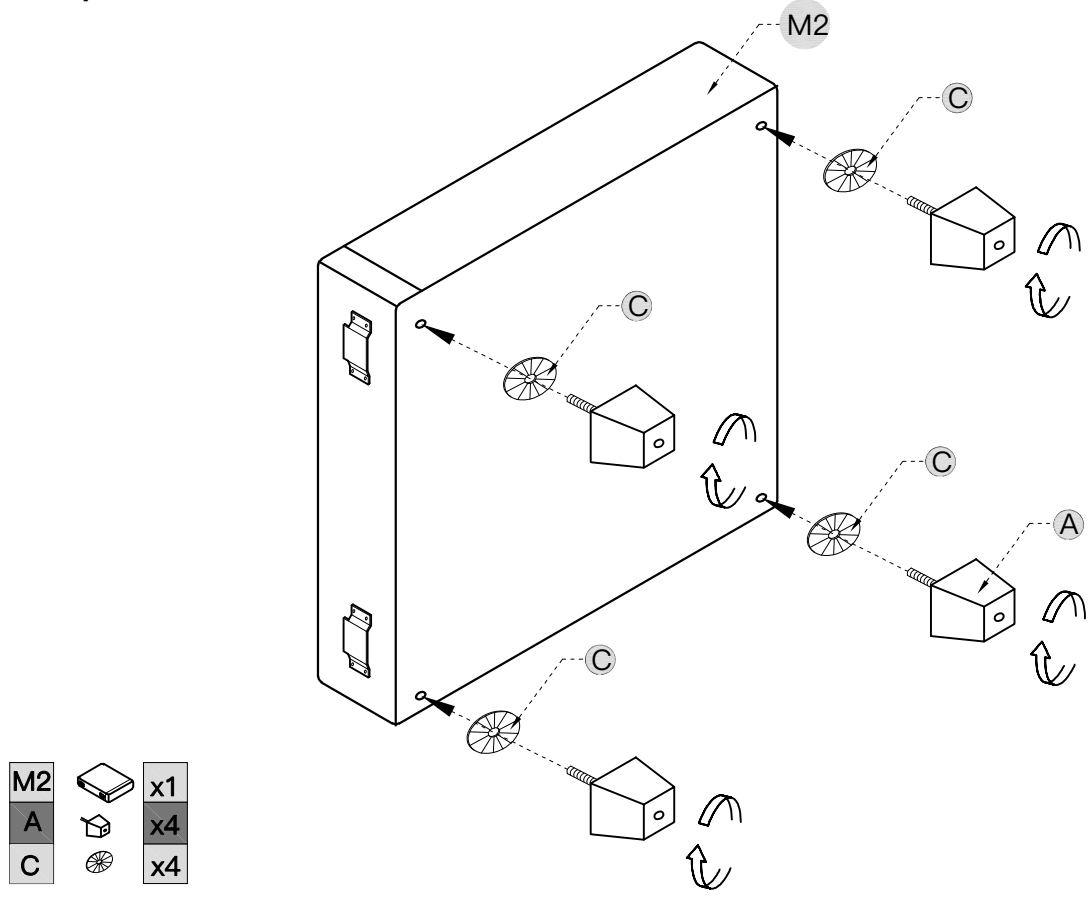
- |    |  |    |
|----|--|----|
| F2 |  | x1 |
| F3 |  | x1 |
| F4 |  | x1 |
| B  |  | x6 |

Installation method

Step 7

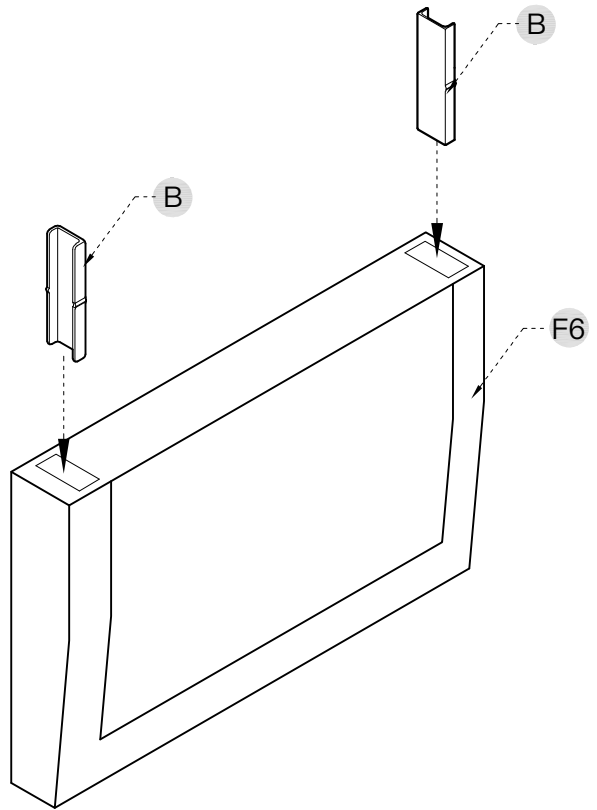


Step 8



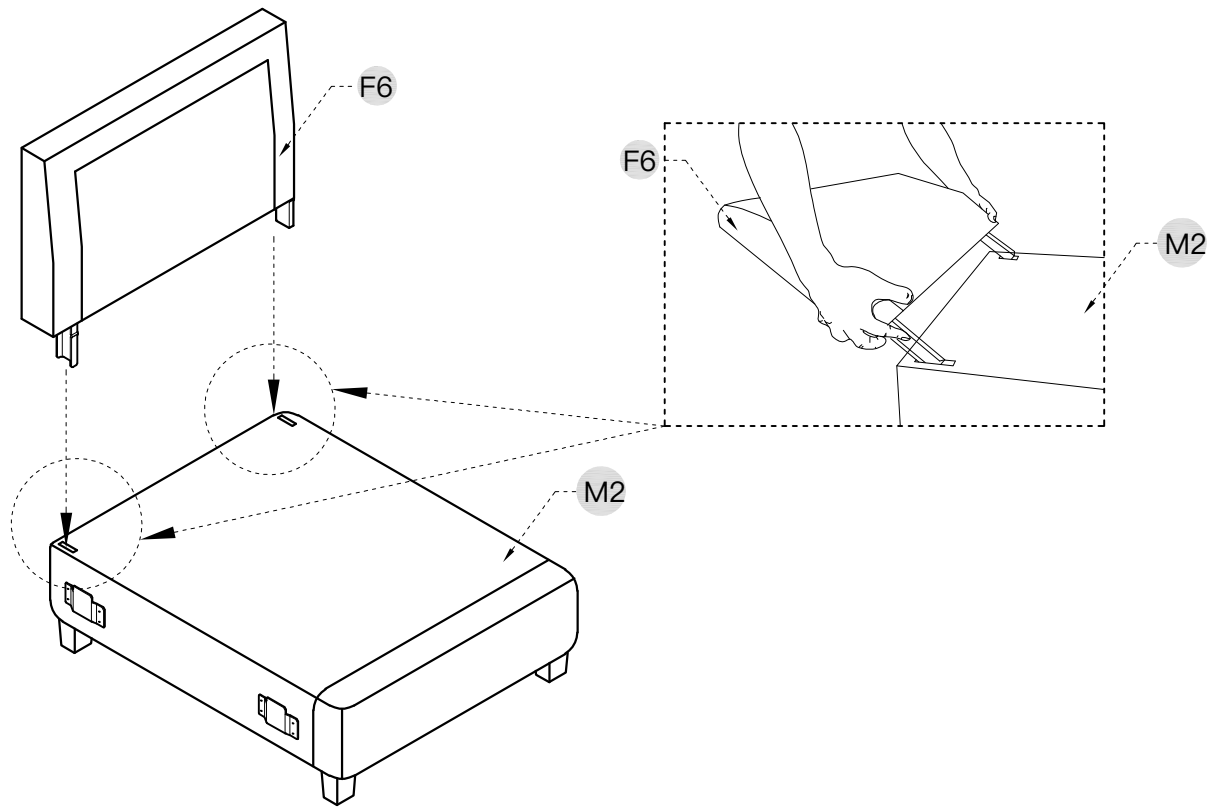
Installation method

Step 9



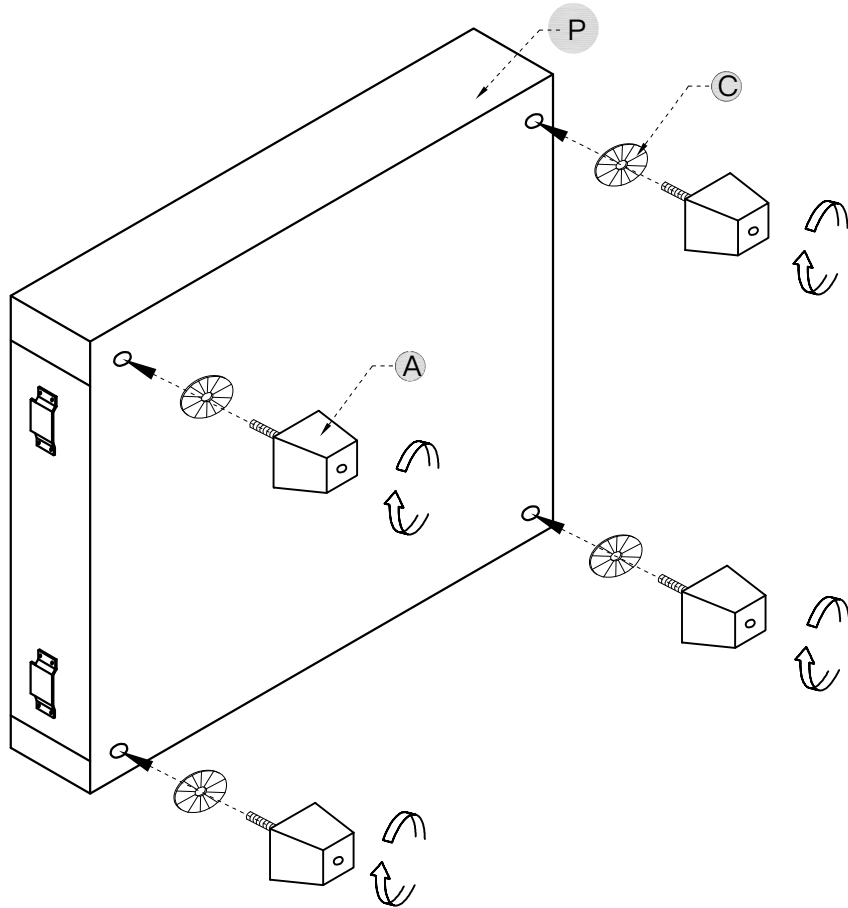
- F6
- B
- x1
- x2

Step 10



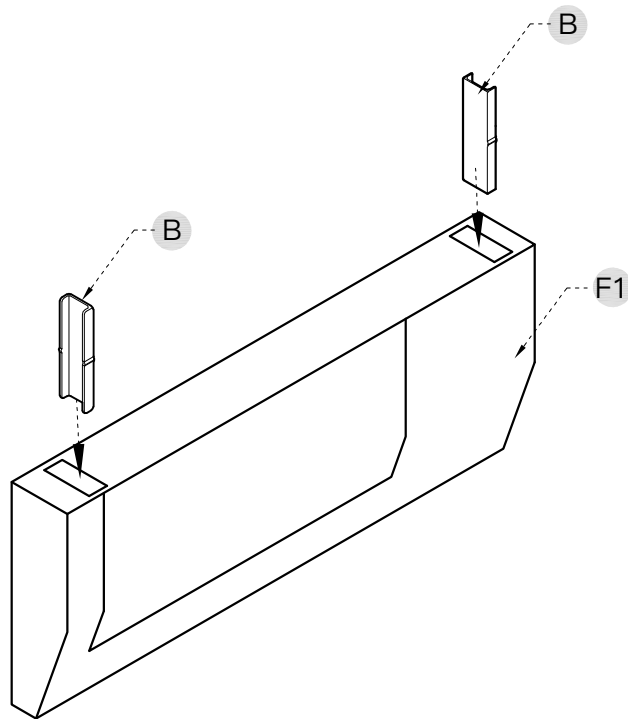
Installation method

Step 11



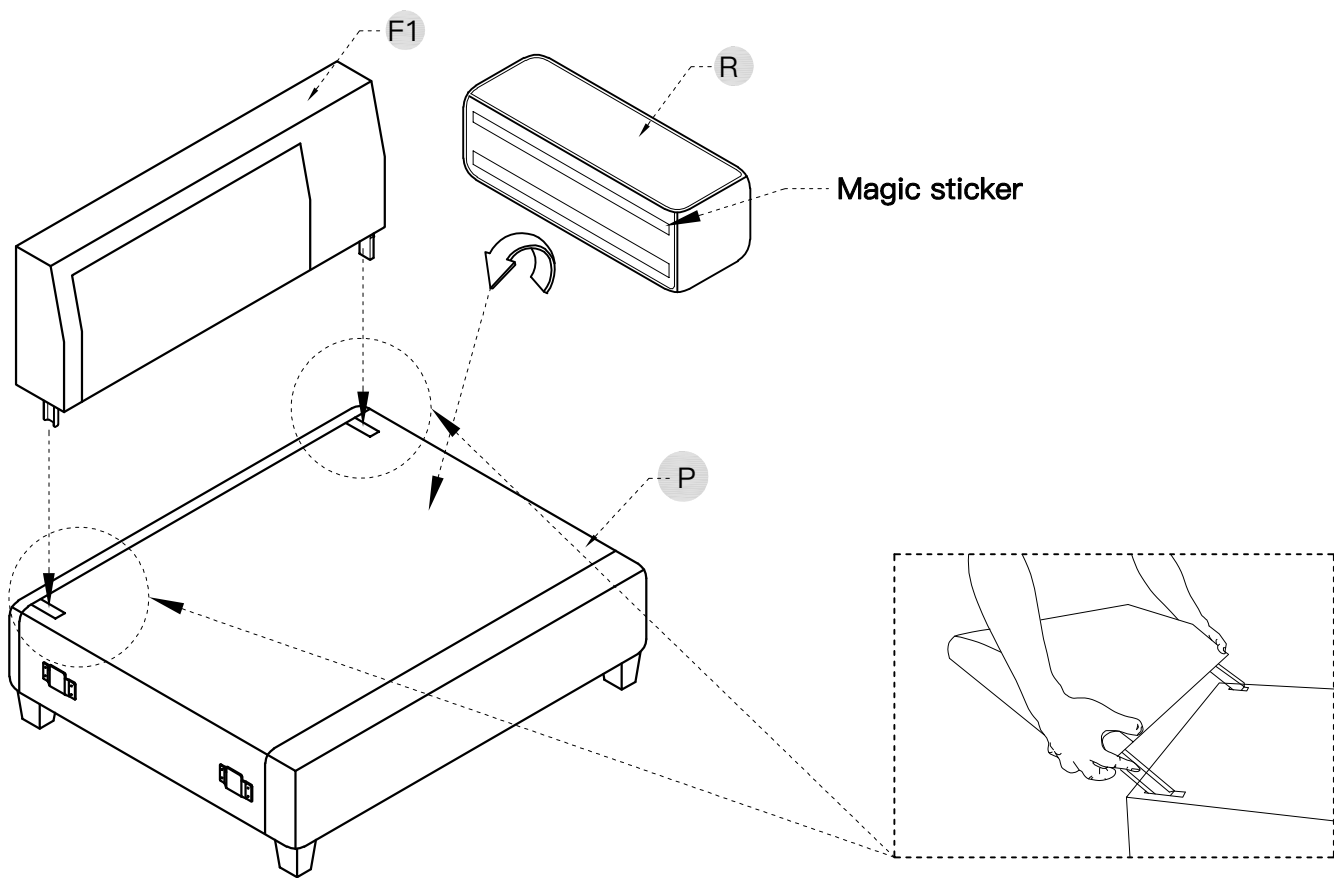
- |   |  |    |
|---|--|----|
| P |  | x1 |
| A |  | x4 |
| C |  | x4 |

Step 12

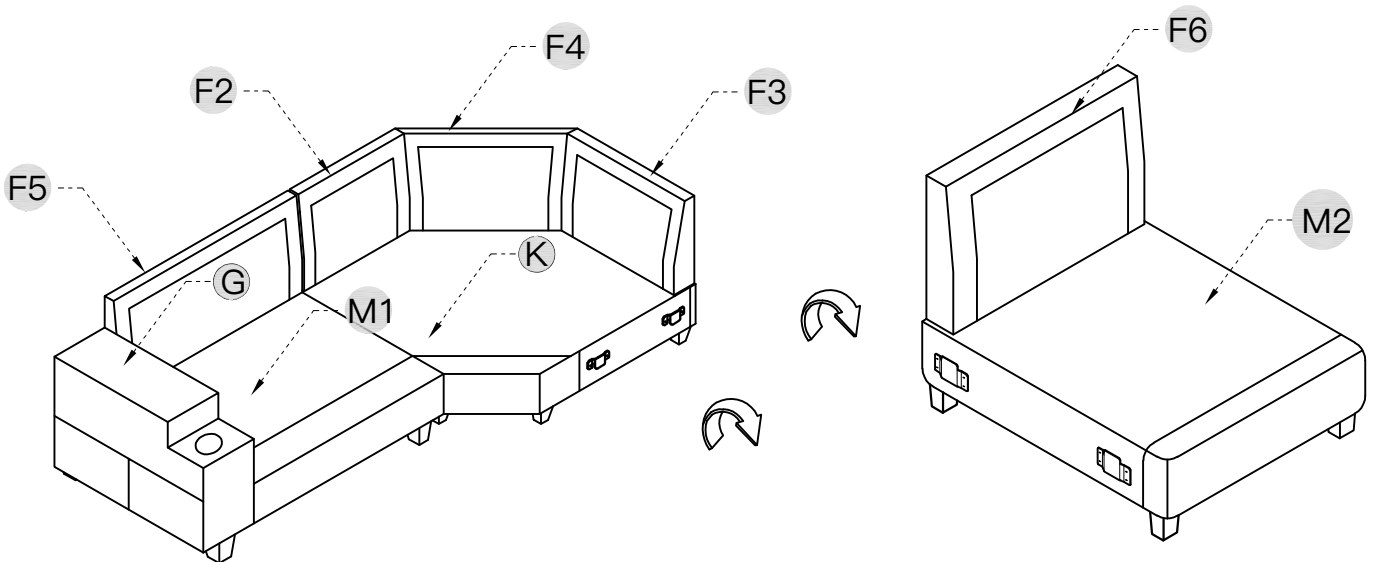
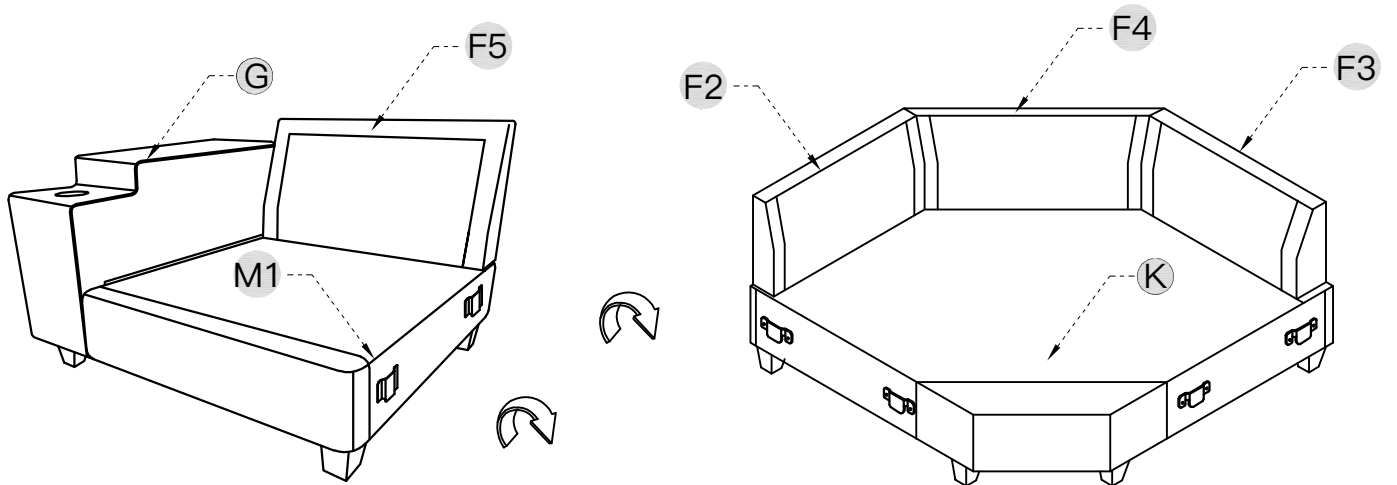
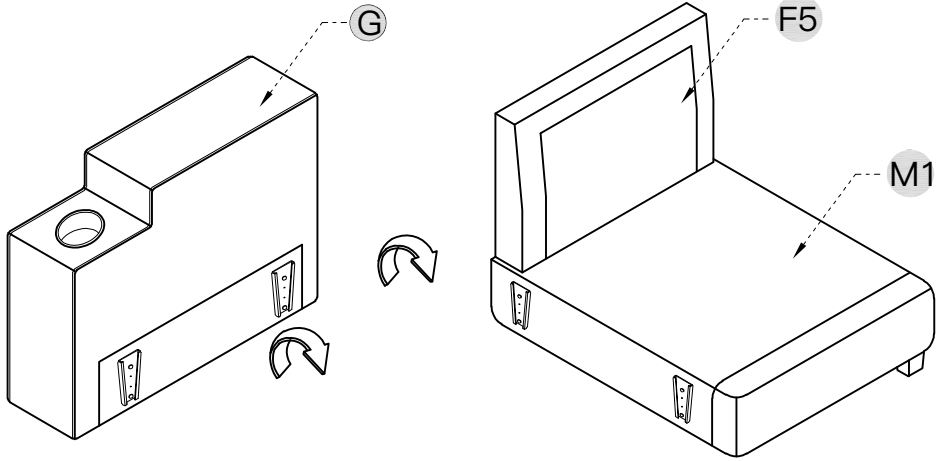


- |    |  |    |
|----|--|----|
| F1 |  | x1 |
| B  |  | x2 |

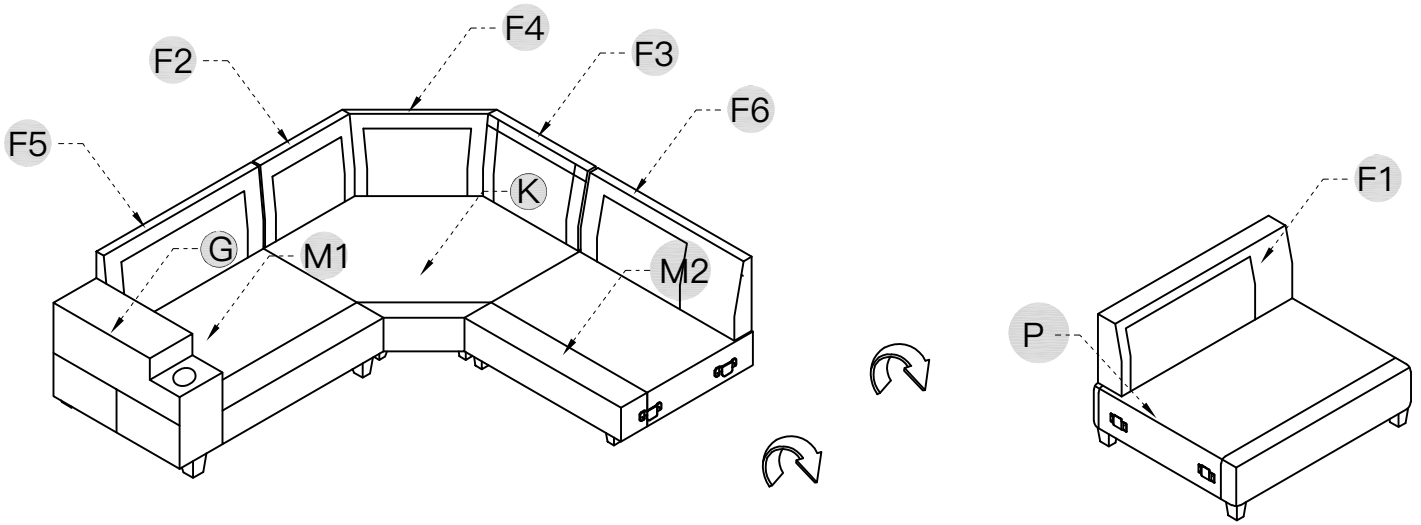
Step 13



Step 14



Step 15



Step 16

