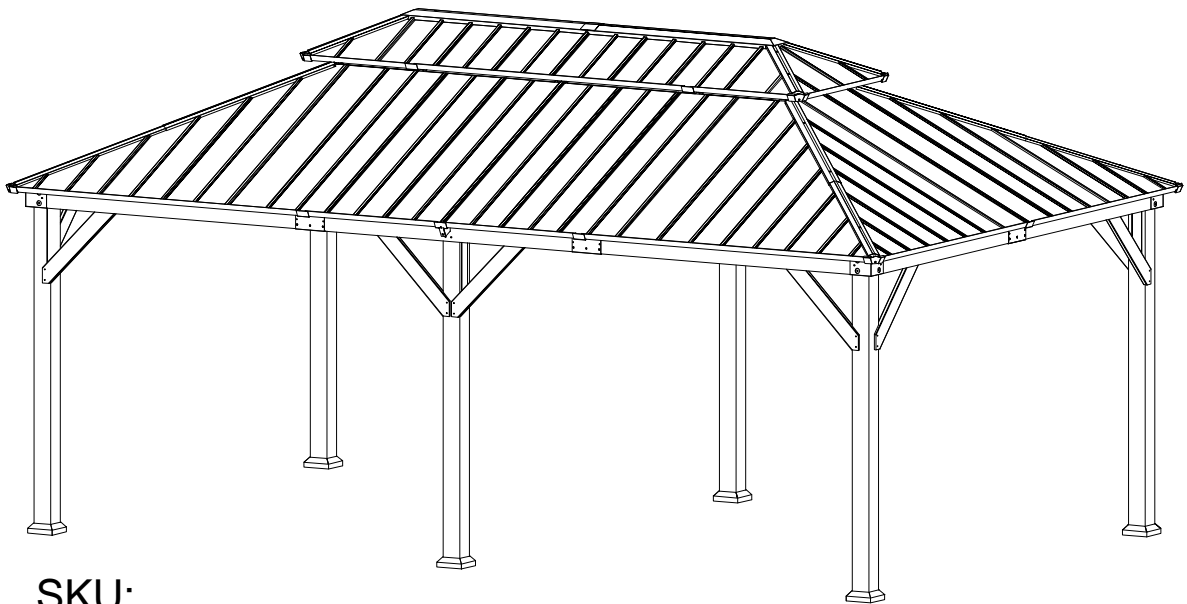


Assembly Instruction

MODEL:YGZ107

PRODUCT SIZE:12*20FT

PLEASE READ CAREFULLY BEFORE ASSEMBLY



SKU:

YGZ107-1A1A1(BOX 1/6)

YGZ107-1A1A2(BOX 2/6)

YGZ107-1A1A3(BOX 3/6)

YGZ107-1A1A4(BOX 4/6)

YGZ107-1A1A5(BOX 5/6)

YGZ107-1A1A6(BOX 6/6)

Arrive in 6 separate boxes and may not be part of the same shipment;

Please install the product after receiving all the packages.

Email Address:support@amer-life.com

Service Time:8am - 5 pm (central time) Monday- Friday.

If no one picks up, please call several more times

Revision Date:20241227

BEFORE YOU START

Owner's Manual

Prior to installation, it is important that you contact your local government authority to determine if building approval is required. Study and understand this owner's manual.

Important information and helpful tips will make your construction easier and more enjoyable.

Assembly instructions

Instructions are supplied in this manual and contain all appropriate information for your building model.

Review all instructions before you begin. During assembly, follow the step sequence carefully for correct results. Please be aware: **this unit takes two people about one full day to complete.**

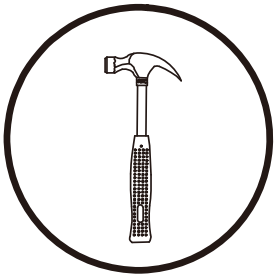
Parts

Check to be sure that you have all the necessary parts for the building.

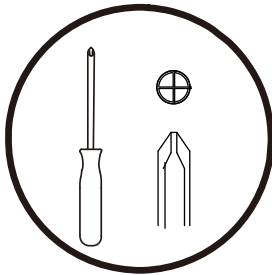
Separate contents of the carton by the part number while reviewing parts list.

Familiarize yourself with the hardware and fasteners for easier use during construction. These are packaged within the carton. Note that extra fasteners have been supplied for your convenience.

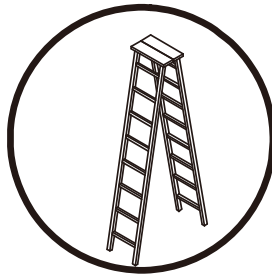
TOOLS MY REQUIRED



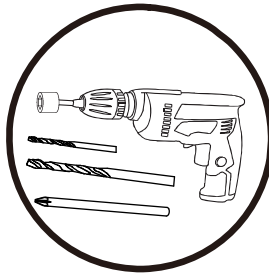
Hammer



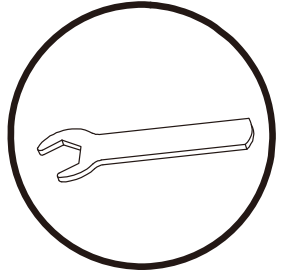
Screwdriver



Ladder



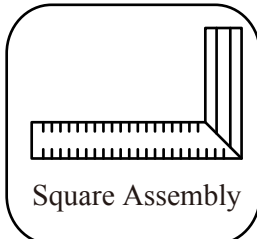
Electric screw driver



Wrench

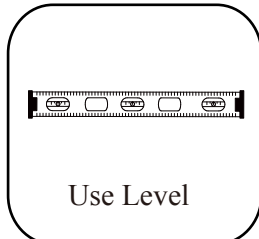


This identifies information that requires special attention. Improper assembly could lead to an unsafe or dangerous condition.



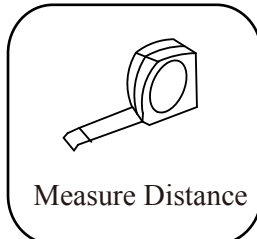
Square Assembly

Check that assembly is square before tightening bolts.

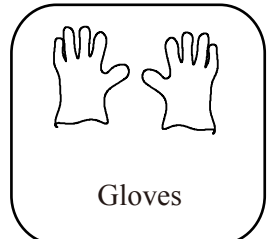


Use Level

Check that set or assembly is properly level before proceeding.



Measure Distance

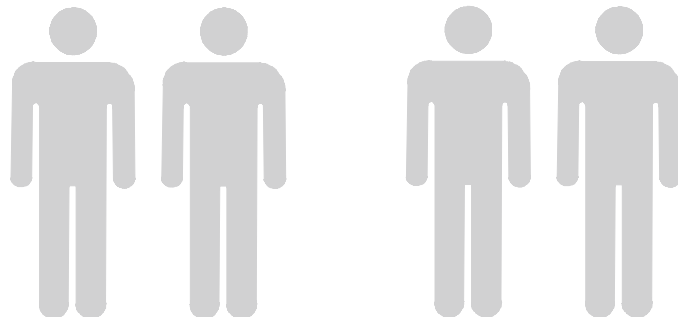


Gloves

IMPORTANT

How many people needed for the installation work

Requires Four people and take 7-10 hours for installation.



PLAN AHEAD

Site Selection

I Avoid overhanging trees as much as possible as leaves will make regular cleaning necessary and broken branches are a potential hazard.

I Small trees, bushes or fences nearby can be helpful, acting as a wind break.

Site Preparation

The site must be prepared so that the base of the shed is level all round and checking with a spirit level is required.

The base can be constructed by treated timber or concrete, in order to stop the moisture getting into the shed.

The shed is not designed to be built onto lawn directly. Also the ground will get muddy during rainy days.

If a concrete pad is made, it is important that this slopes towards the edges to prevent water ingress.

Time must be allowed for any concrete or cement to dry before building the shed on top.

Bases can also be constructed from bricks, blocks, or mounted on a concrete pad.

The bricks or blocks should be cemented onto firm and level concrete footings and the greenhouse frame drilled and screwed to the base.

IMPORTANT NOTES:

Find someone to help you: it is much easier with someone to hold parts, pass tool sect. Also some steps require two people to lift structures together. This is not very heavy work so would suit most able-bodied people.

Allow plenty of time: rushing often causes errors and the re-doing of incorrect assemblies. If you have never built a shed before, it can take most of a day to carefully complete the construction.

Have the right tools to hand.

Safety clothing as recommended in the 'Tools' section.

Ideally let out the parts and check that all are present before commencing construction. Lay on cloths or plastic sheets if there is any risk of scratching the parts.

Tighten all nuts carefully, being sure not to miss any. Check the frame is square and using a spirit level to check that it is upright.

For your safety concern, please do not stand under the metal shed in heavy wind or snow days.

For safety, please use expansion screws to reinforce the posts to the ground.

Please clear the snow off the roof in time for the heavy snowfall.

Make sure all screws are tightened before use.

Repeat to confirm all screws, buckles and straps every 90 days.

Please keep all screws loose during the assembly process and tighten them after completing the installation.

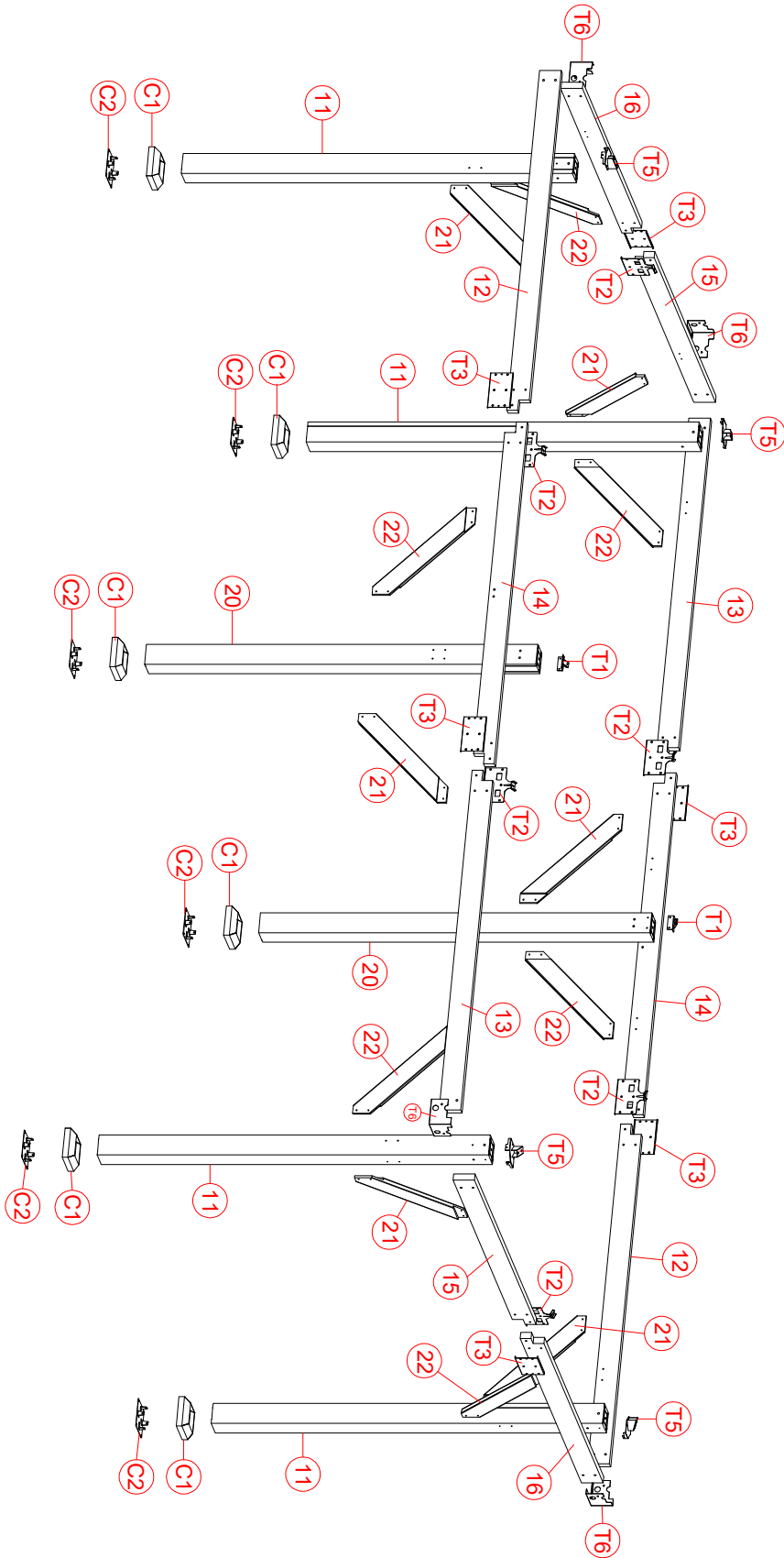
Do not use or store objects in the Metal Shed with open flames or flammable chemicals.

Please note that some parts have sharp edges and should be handled with gloves.

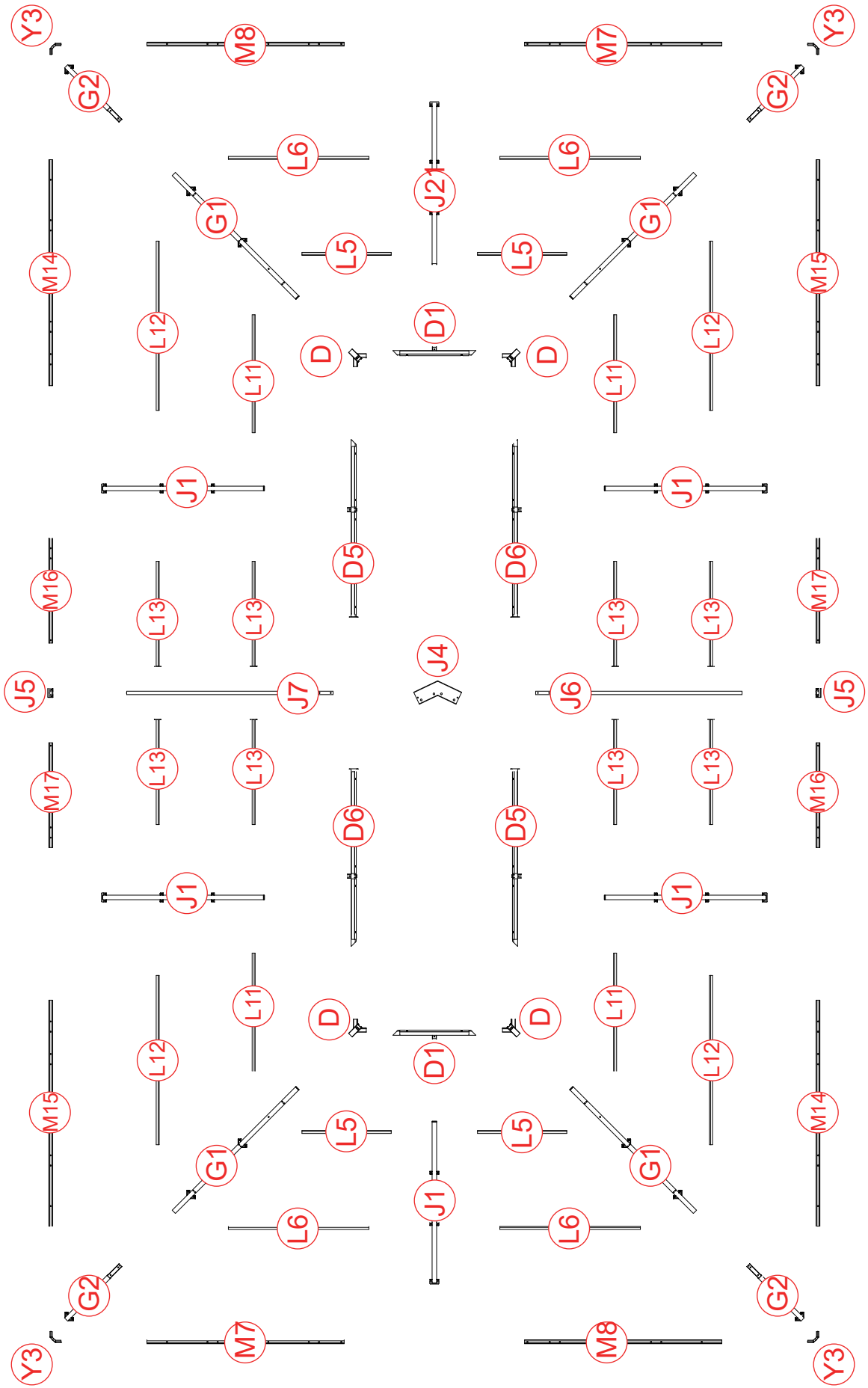
If any parts are missing, broken, damaged or worn, discontinue use of the product until repairs are made or factory replacement parts are installed.

Installation of the product in a manner that does not conform to the manufacturer's instructions may result in the loss of the warranty policy for this product.

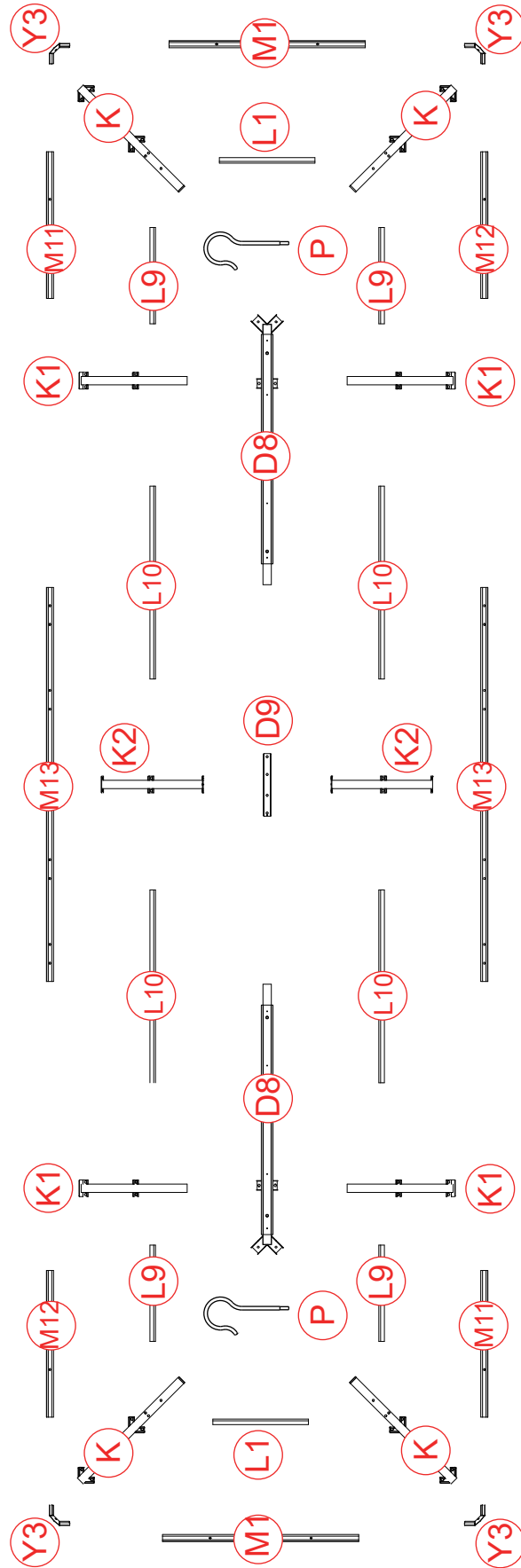
FIRST PART



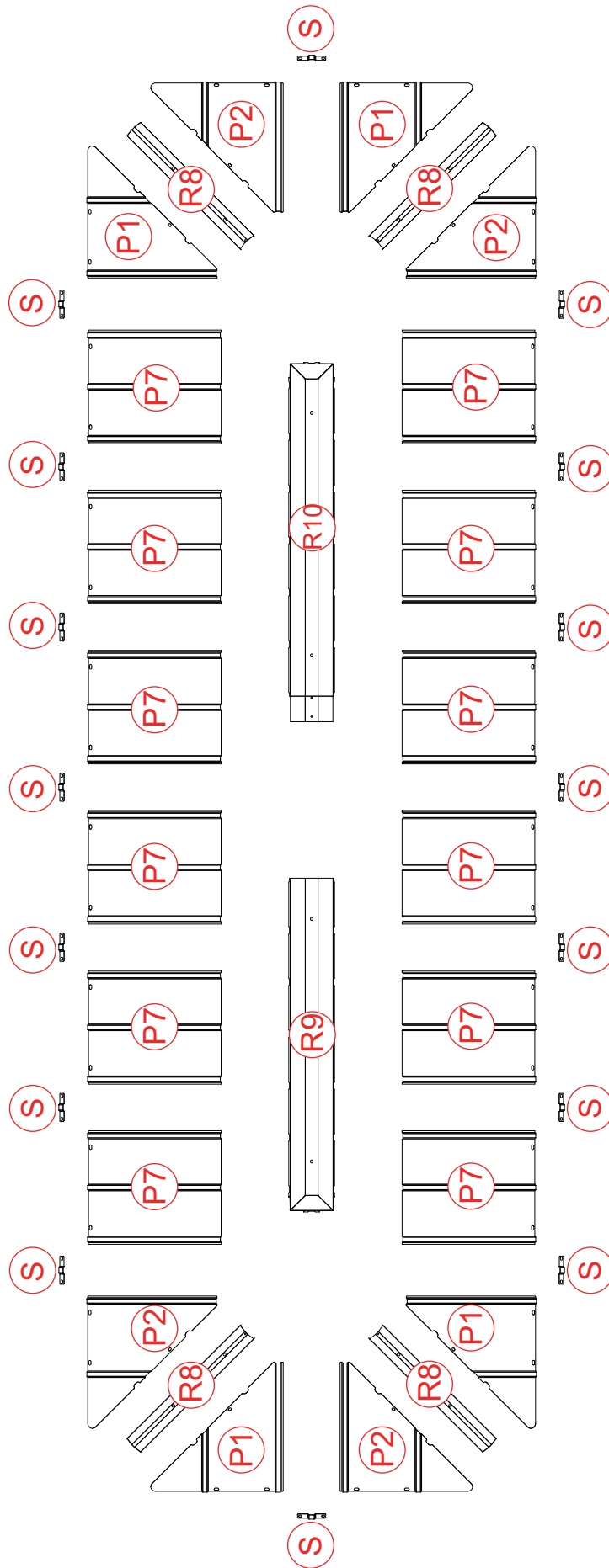
SECOND PART



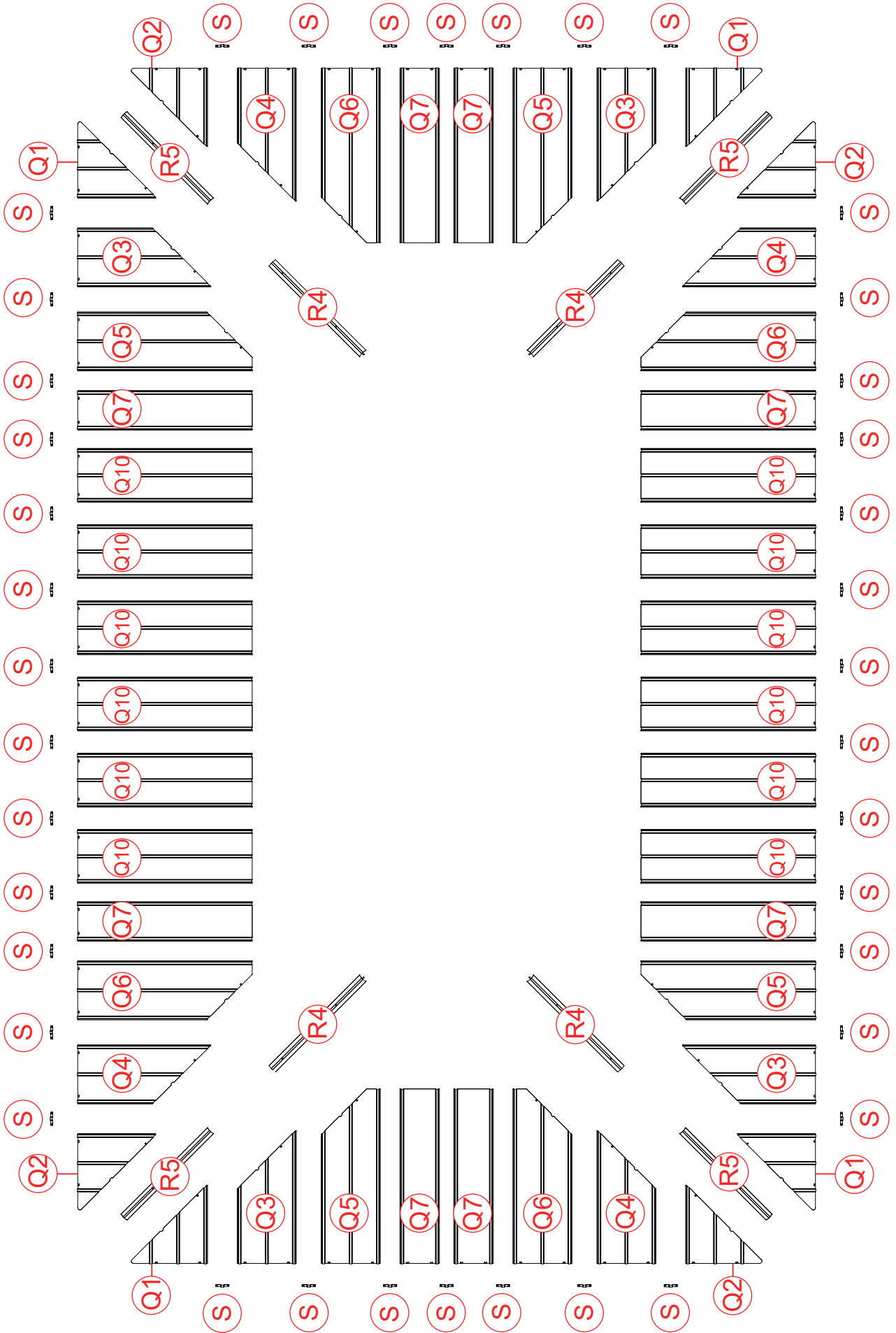
THIRD PART



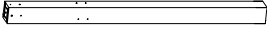
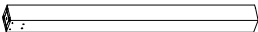
FOURTH PART



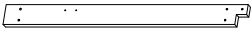

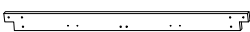
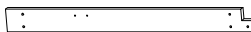




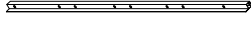



FIFTH PART




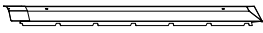



Parts List (Box 1)




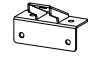
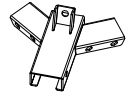



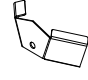

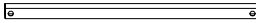
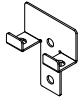
⑪	⑳			
				
4 PCS	2 PCS			

Parts List (Box 2)

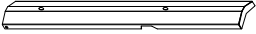
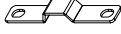

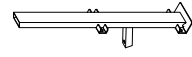
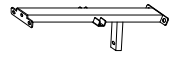
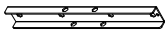
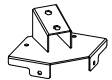
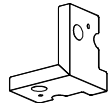
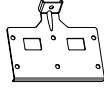
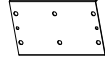
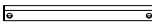
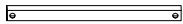
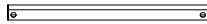
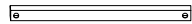
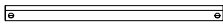
⑫	⑬	⑭	⑮	⑯
				
2 PCS	2 PCS	2 PCS	2 PCS	2 PCS
J6	J7	M7	M8	M13
				
1 PCS	1 PCS	2 PCS	2 PCS	2 PCS
M14	M15			
				
2 PCS	2 PCS			



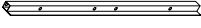
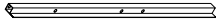



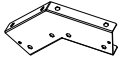
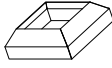
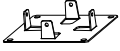
Parts List (Box 3)

R9	R10	R4	R5	D8
				
1 PCS	1 PCS	4 PCS	4 PCS	2 PCS

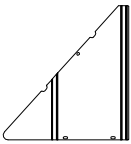
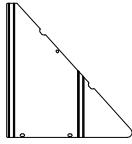
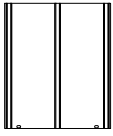
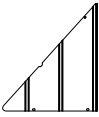
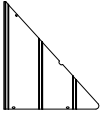
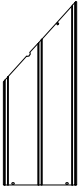
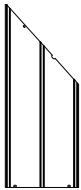
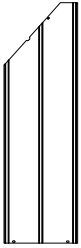

(D1) 	(D5) 	(D6) 	(T1) 	(D) 
2 PCS	2 PCS	2 PCS	2 PCS	4 PCS
(G1) 	(G2) 	(J1) 	(Y3) 	(P) 
4 PCS	4 PCS	6 PCS	8 PCS	2 PCS
(L12) 	(J5) 			
4 PCS	2 PCS			

Parts List (Box 4)

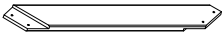



(R8) 	(S) 	(K) 	(K1) 	(K2) 
4 PCS	56 PCS	4PCS	4PCS	2PCS
(D9) 	(T5) 	(T6) 	(T2) 	(T3) 
1 PCS	4 PCS	4 PCS	6 PCS	6 PCS
(L1) 	(L9) 	(L10) 	(L5) 	(L6) 
2 PCS	4 PCS	4 PCS	4 PCS	4 PCS

(L11)	(L13)	(M1)	(M11)	(M12)
				
4 PCS	8 PCS	2 PCS	2 PCS	2 PCS
(M16)	(M17)	(J4)	(C1)	(C2)
				
2 PCS	2 PCS	1 PCS	6 PCS	6 PCS

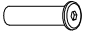



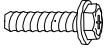
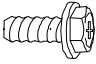



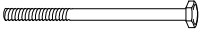


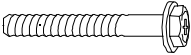
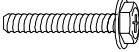
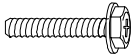

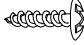
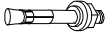



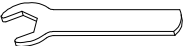
Parts List (Box 5)

(P1)	(P2)	(P7)	(Q1)	(Q2)
				
4 PCS	4 PCS	12 PCS	4 PCS	4 PCS
(Q3)	(Q4)	(Q5)	(Q6)	
				
4 PCS	4 PCS	4 PCS	4 PCS	

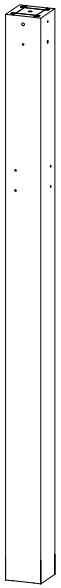
Parts List (Box 6)

(21)	(22)	(Q10)	(Q7)	
				
6 PCS	6 PCS	12 PCS	8 PCS	

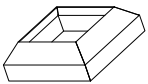
Parts List (Box 6)

<p>ⓑ</p>  <p>M6x20</p> <p>36+3 PCS</p>	<p>ⓒ</p>  <p>M6x35</p> <p>8+1 PCS</p>	<p>ⓓ</p>  <p>M6</p> <p>4+1 PCS</p>	<p>ⓔ</p>  <p>M6x30</p> <p>36+3 PCS</p>	<p>ⓕ</p>  <p>M6x20</p> <p>302+12 PCS</p>
<p>ⓖ</p>  <p>M6x15</p> <p>78+5 PCS</p>	<p>ⓗ</p>  <p>M5x25</p> <p>48+5 PCS</p>	<p>ⓙ</p>  <p>M6</p> <p>52+5 PCS</p>	<p>ⓗ</p>  <p>M8x70</p> <p>8+1 PCS</p>	<p>ⓗ</p>  <p>M8x170</p> <p>12+2 PCS</p>
<p>ⓗ</p>  <p>M5x35</p> <p>48+5 PCS</p>	<p>ⓙ</p>  <p>M8</p> <p>32+5 PCS</p>	<p>ⓙ</p>  <p>M6x55</p> <p>4+1 PCS</p>	<p>ⓗ</p>  <p>M6x45</p> <p>4+1 PCS</p>	<p>ⓗ</p>  <p>M6x40</p> <p>20+3 PCS</p>
<p>ⓗ</p>  <p>M8</p> <p>12+2 PCS</p>	<p>ⓗ</p>  <p>M4x16</p> <p>8+2 PCS</p>	<p>ⓗ</p>  <p>M6x80</p> <p>12 PCS</p>	<p>ⓗ</p>  <p>D8x180</p> <p>12 PCS</p>	<p>ⓗ</p>  <p>M6</p> <p>2 PCS</p>
<p>ⓗ</p>  <p>M6</p> <p>2 PCS</p>	<p>ⓗ</p>  <p>M8</p> <p>2 PCS</p>			

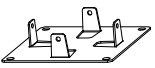
1



11 x4

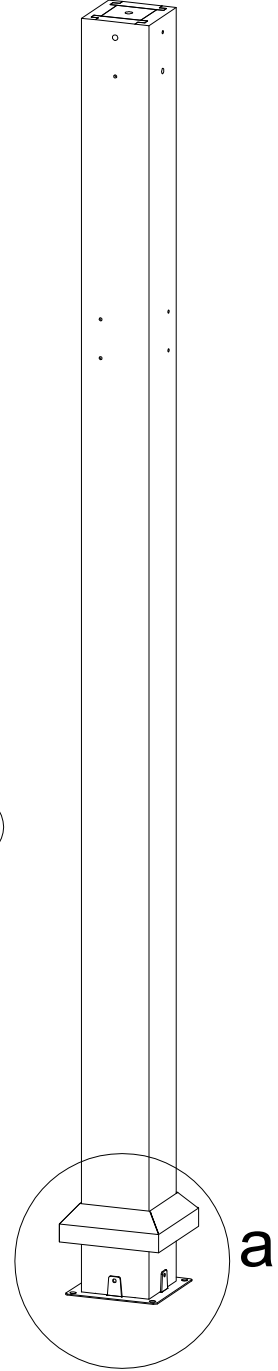
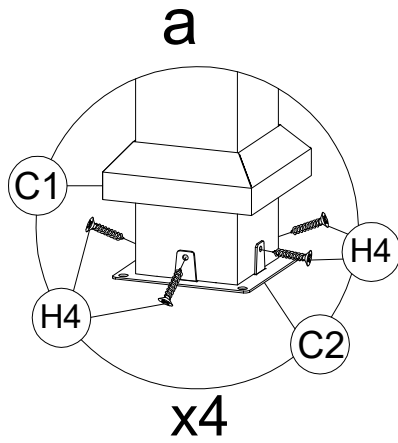
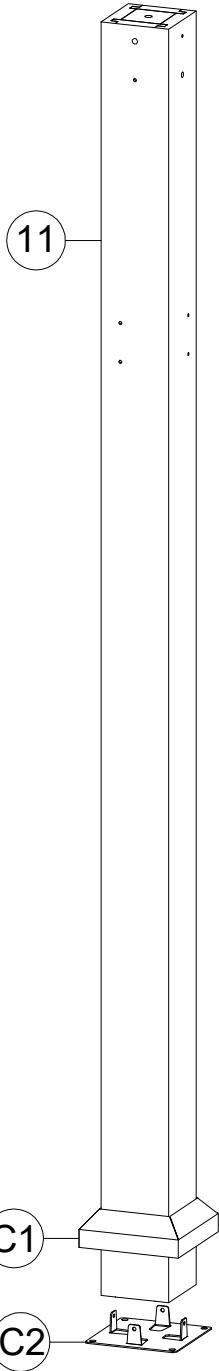


C1 x4



C2 x4

The corner posts of the gazebo.



H4 x16



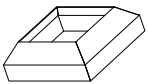
M5x25

2

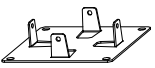
The central post of the gazebo.



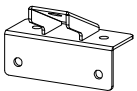
20 x2



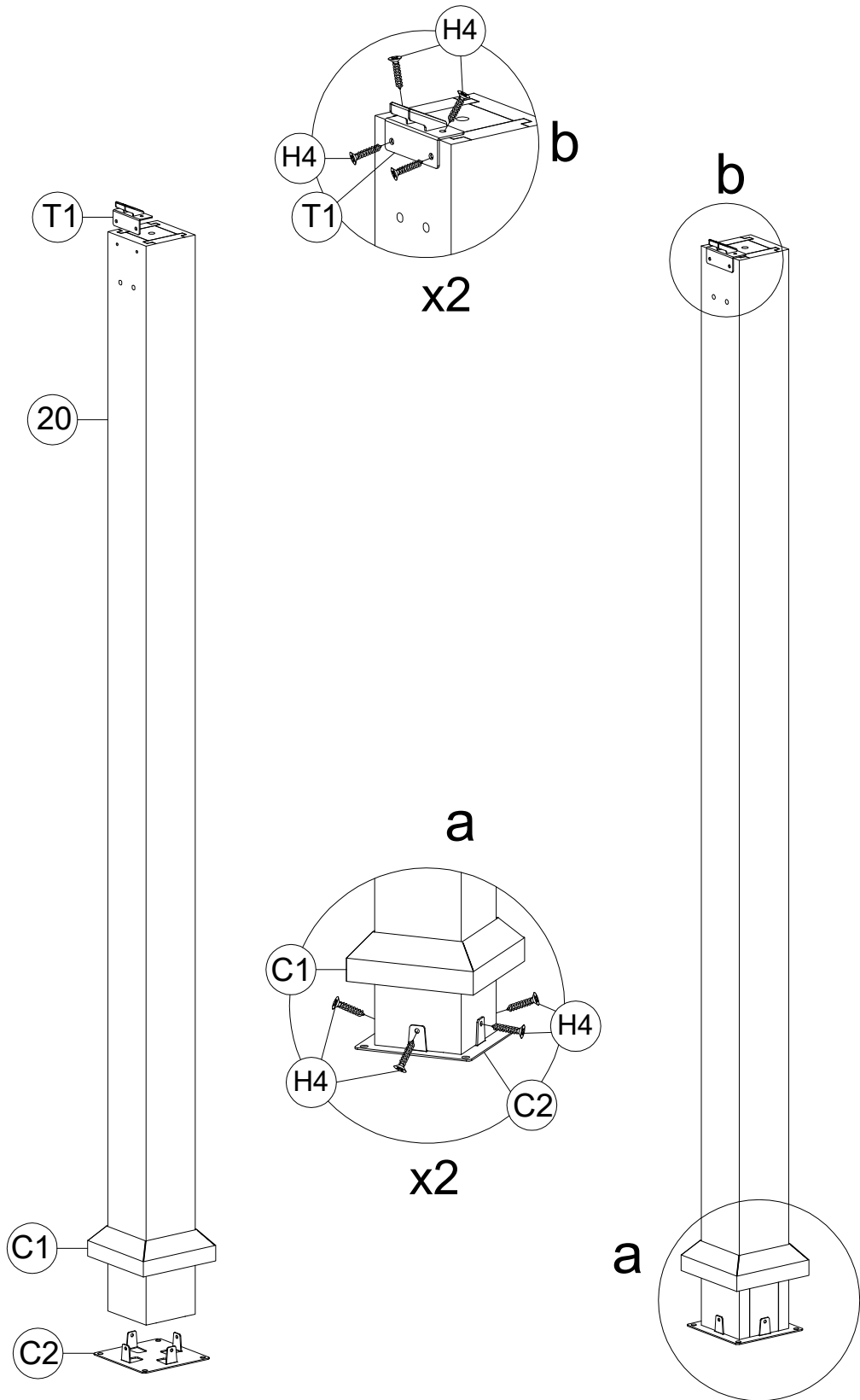
C1 x2



C2 x2



T1 x2



H4 x16



M5x25

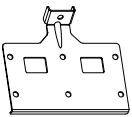
3



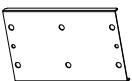
15 x2



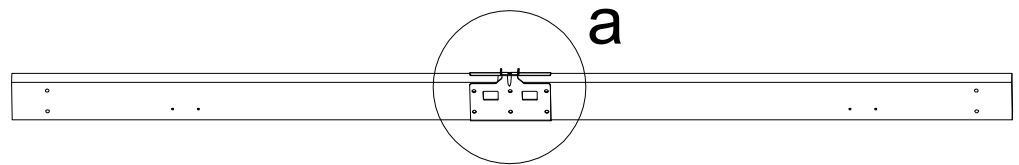
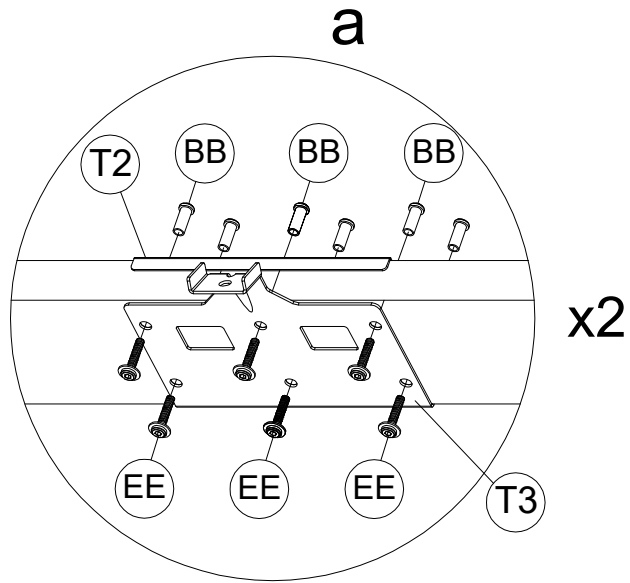
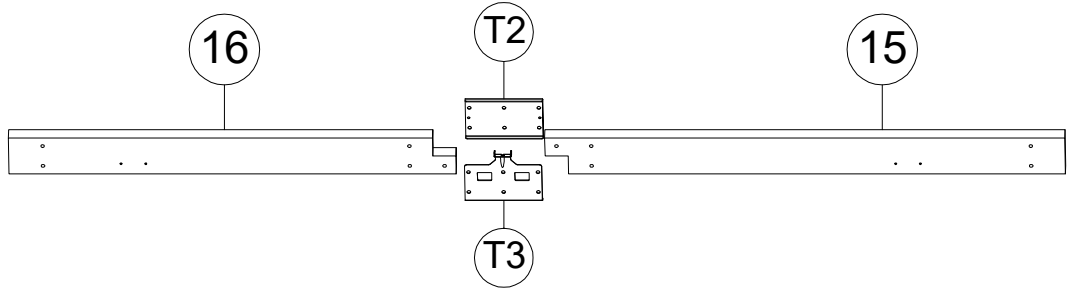
16 x2



T2 x2



T3 x2

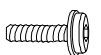


BB 12x



M6x20

EE 12x



M6x30

4



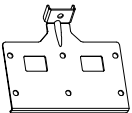
13 x2



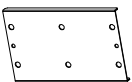
12 x2



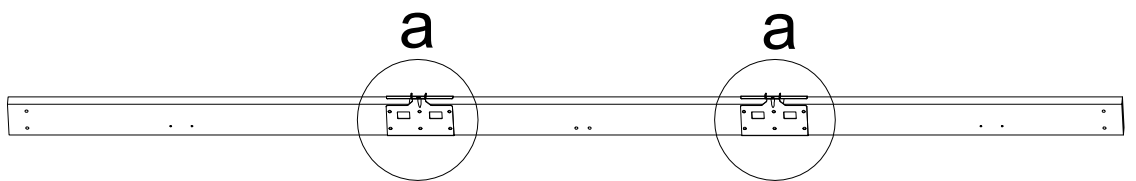
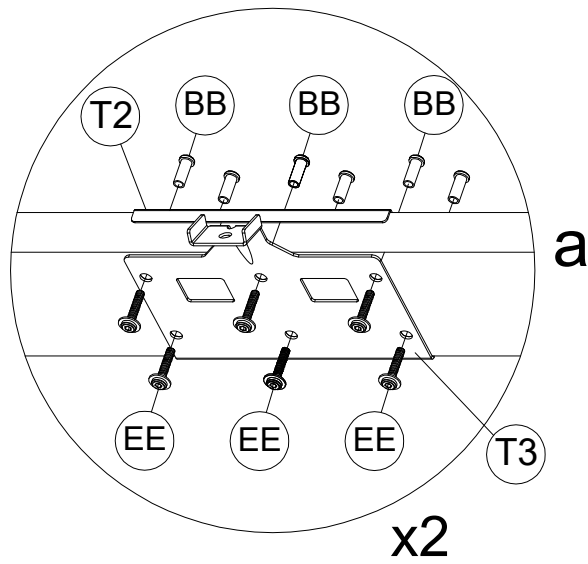
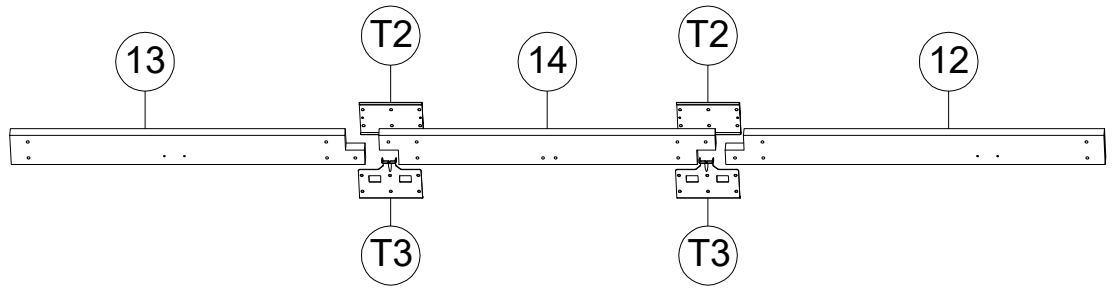
14 x2



T2 x4



T3 x4

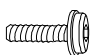


BB x24



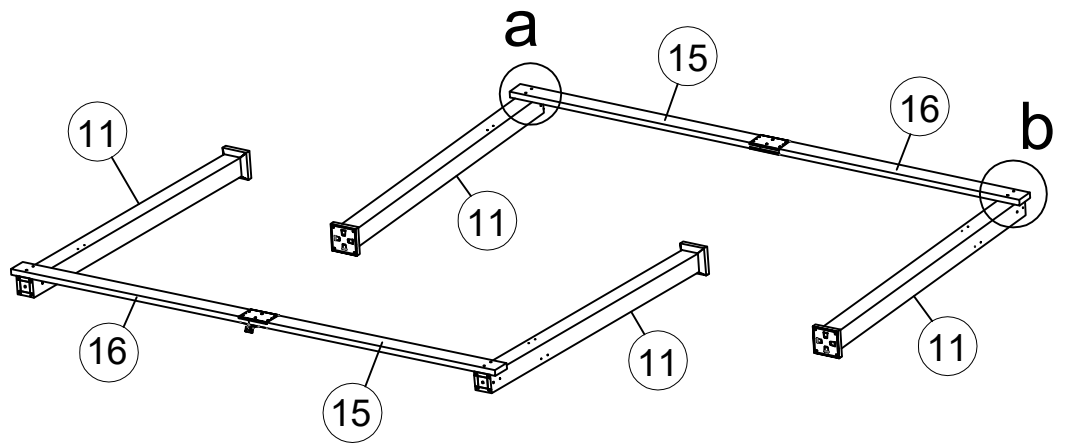
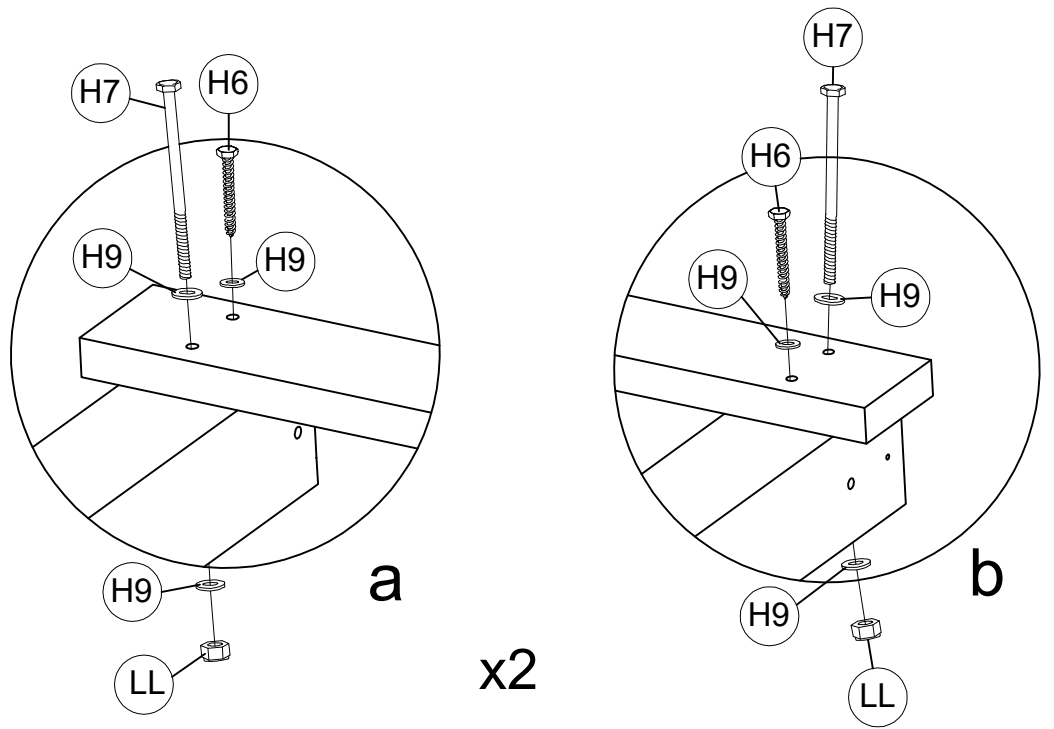
M6x20




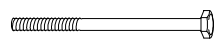
EE x24



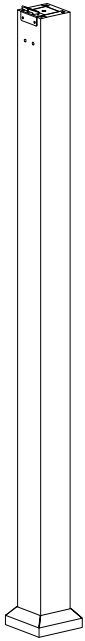
M6x30

5

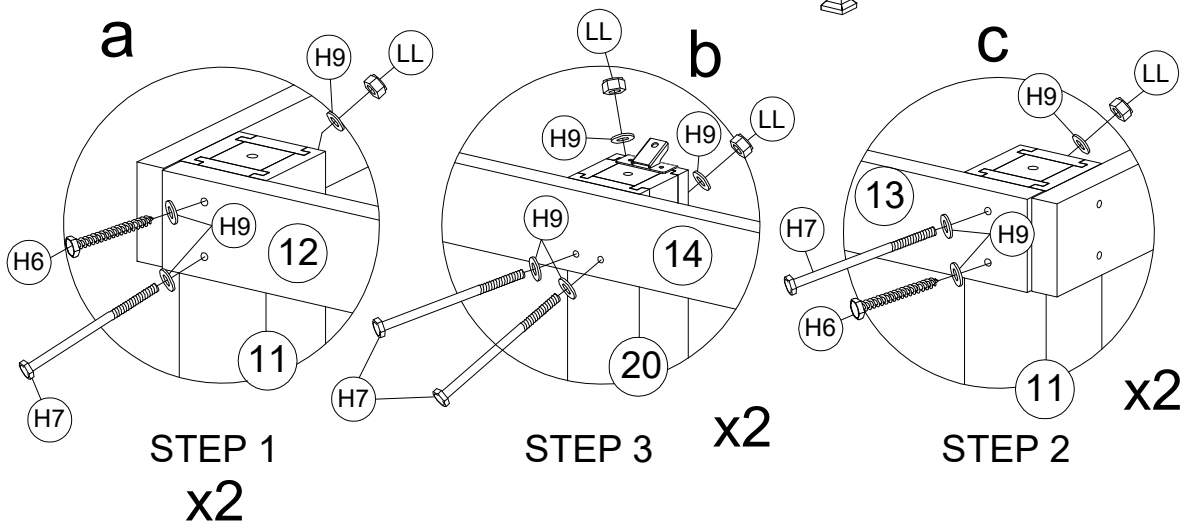
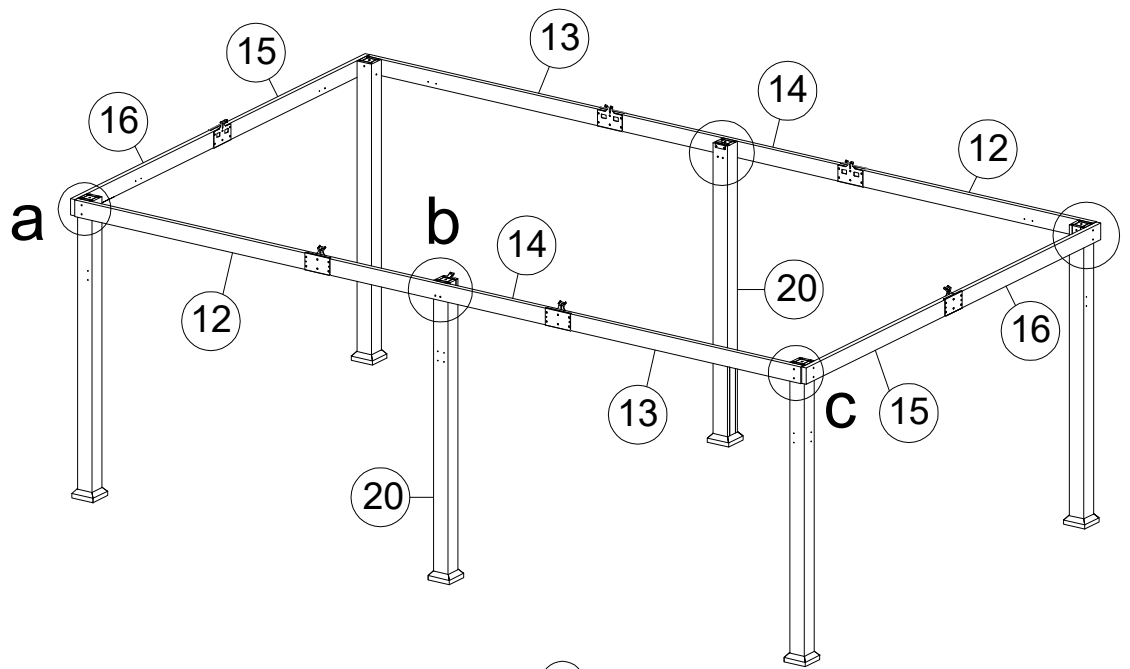
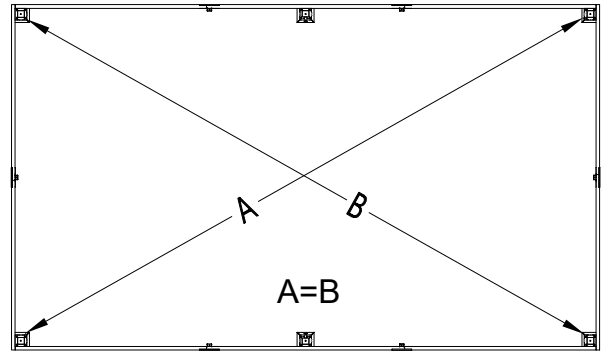


<p>(H6) x4</p>  <p>M8x70</p>	<p>(H9) x12</p>  <p>M8</p>	<p>(LL) x4</p>  <p>M8</p>	<p>(H7) x4</p>  <p>M8x170</p>
---	---	--	--

6



x2



(H6) x4



M8x70

(H9) x20



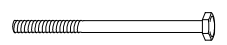
M8

(LL) x8



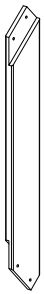
M8

(H7) x8

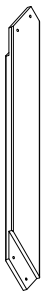


M8x170

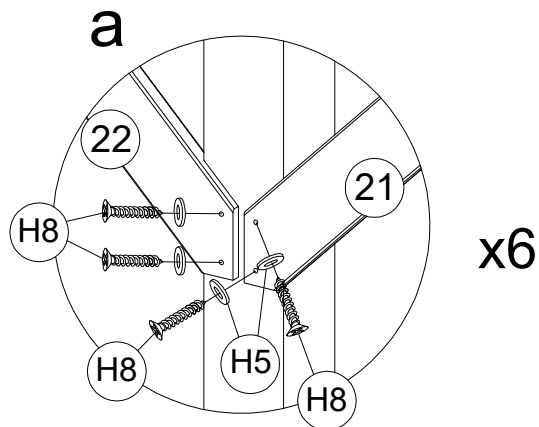
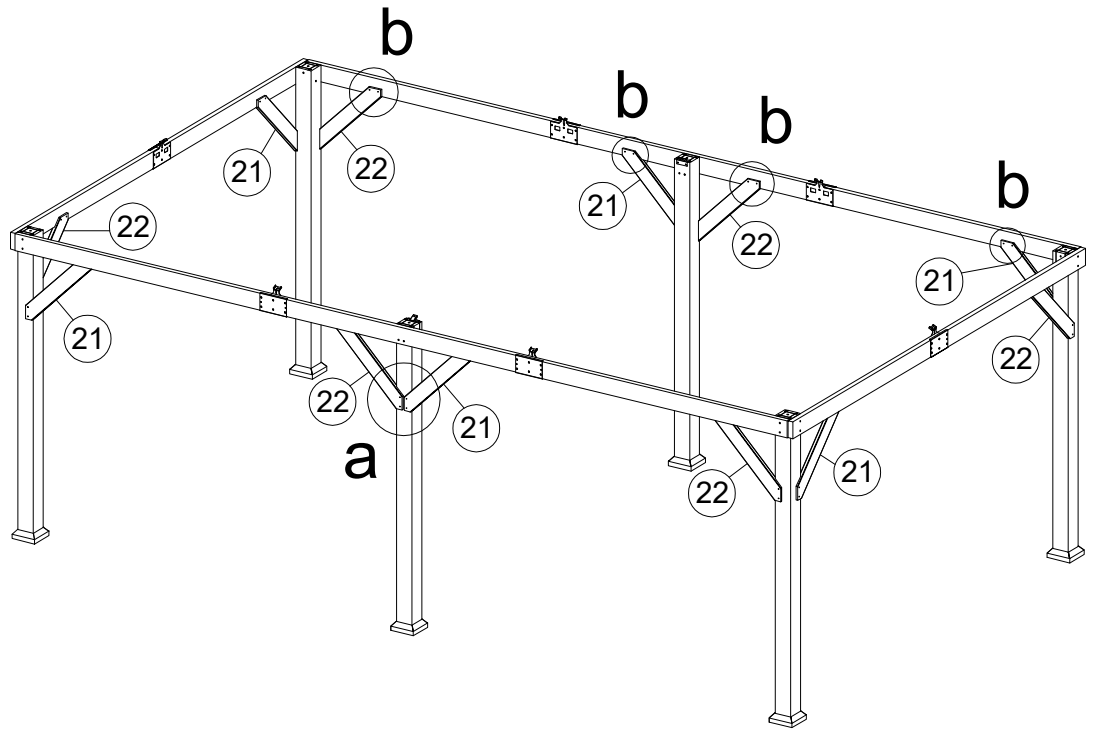
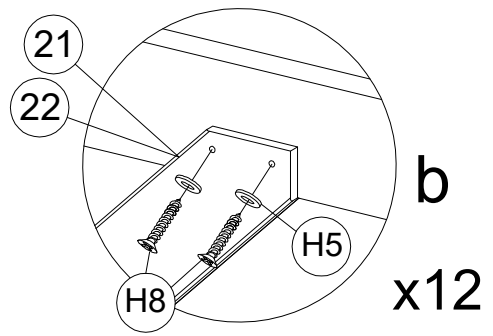
7



21 x6



22 x6



H8 x48



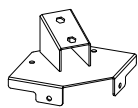
M5x35

H5 x48

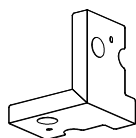


M6

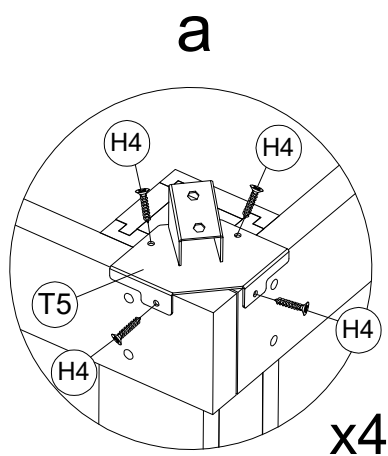
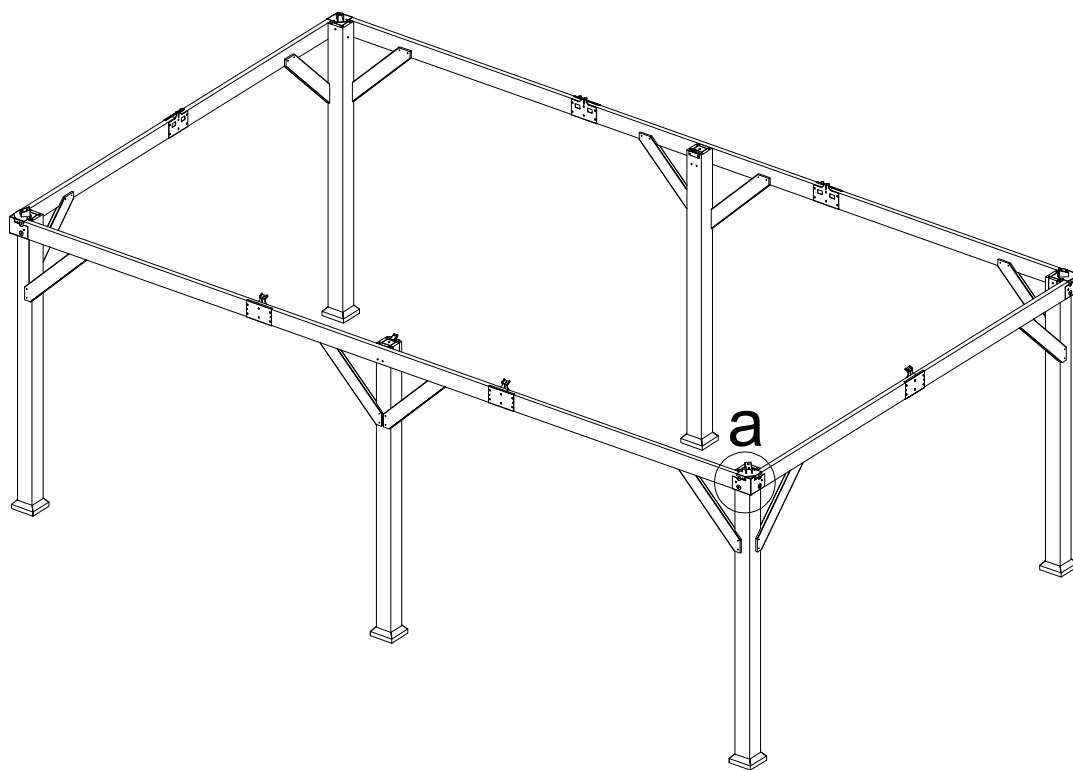
8



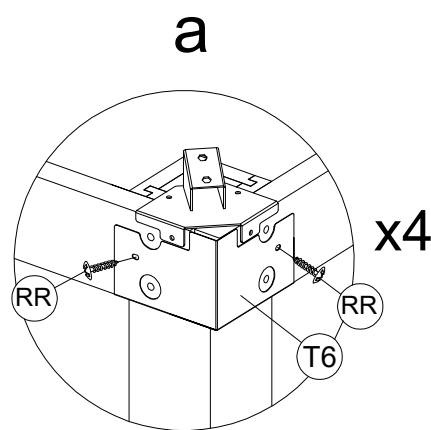
T5 x4



T6 x4



STEP 1



STEP 2

H4 x16



M5x25

RR x8



M4x16

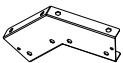
9



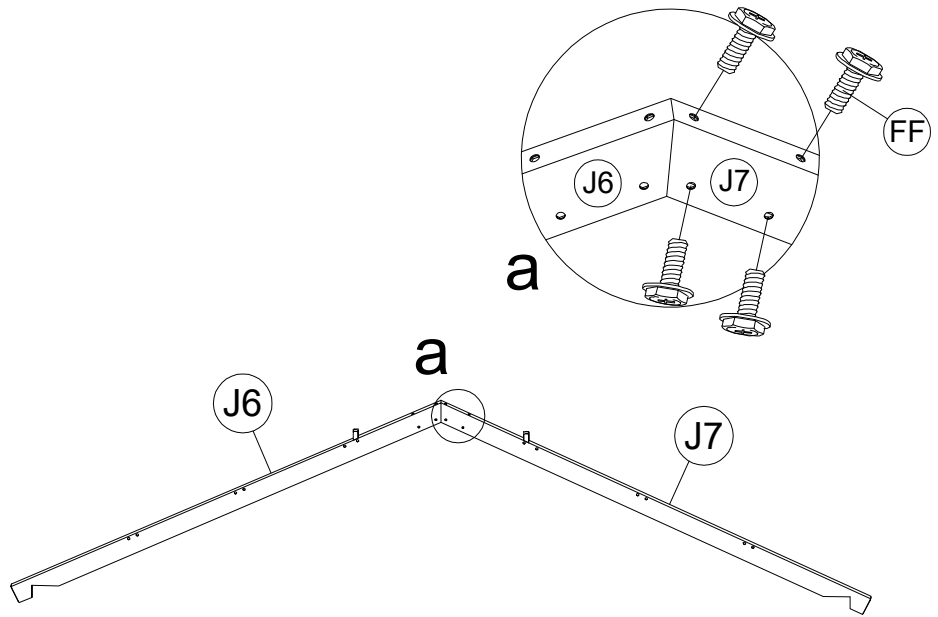
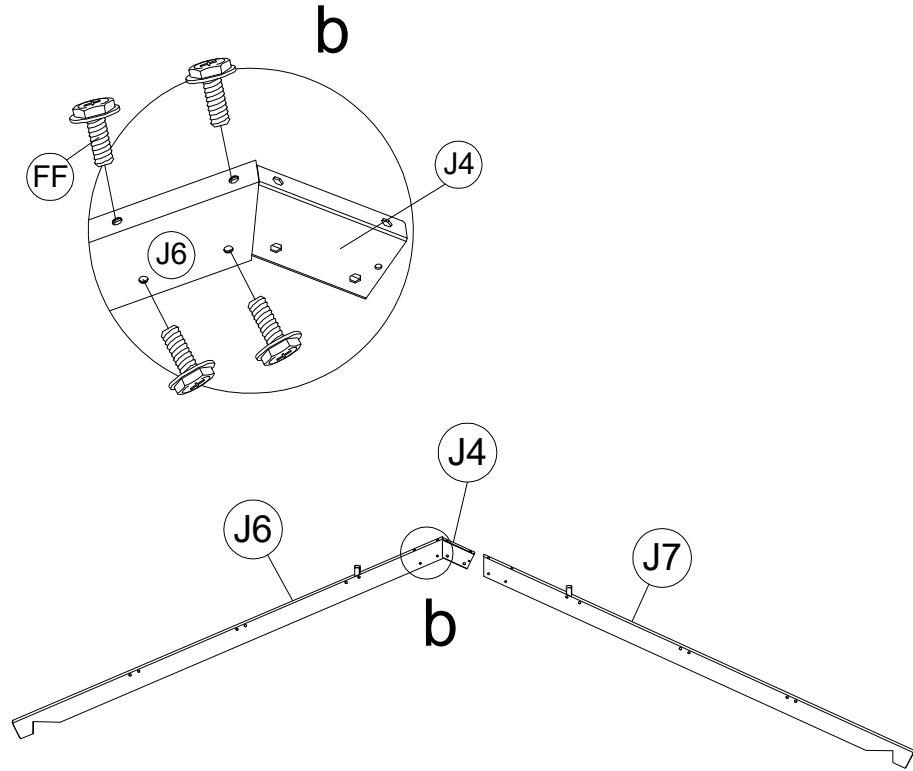
J6 x1



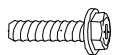
J7 x1



J4 x1



FF x8



M6x20

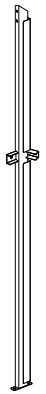
10



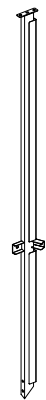
D x4



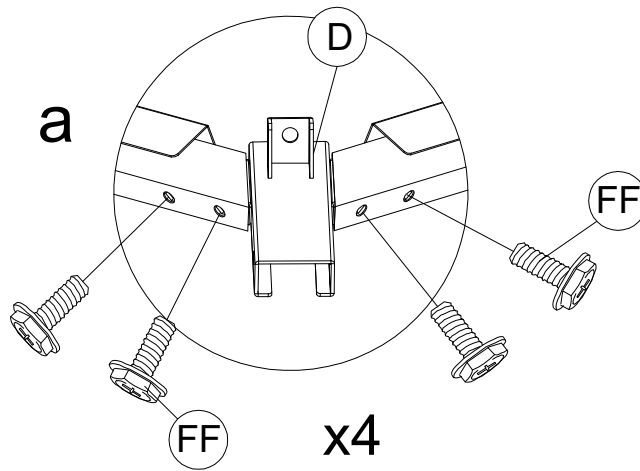
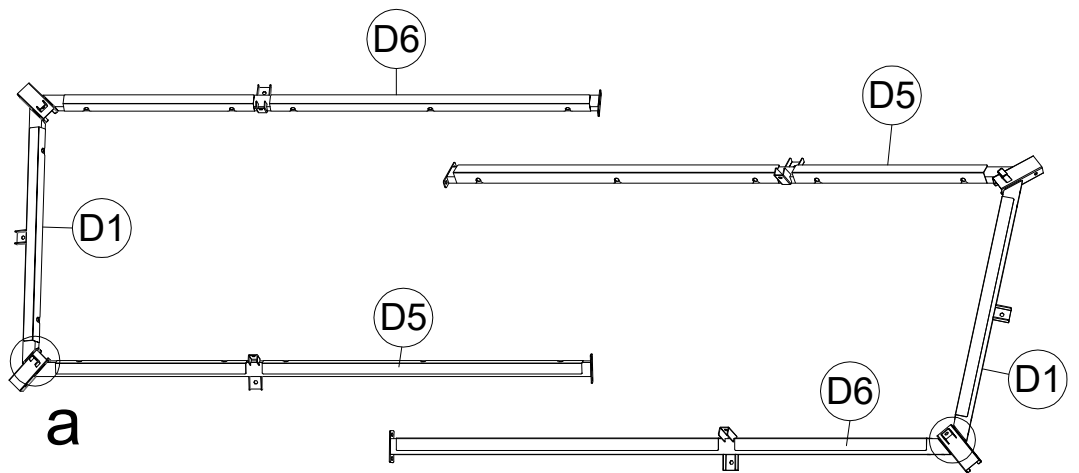
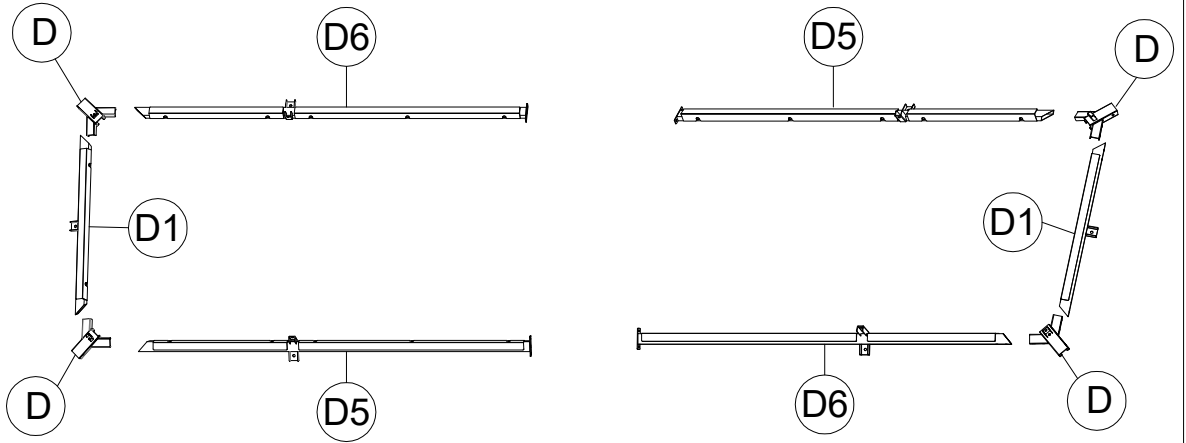
D1 x2



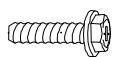
D5 x2



D6 x2



FF x16

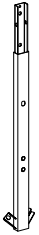


M6x20

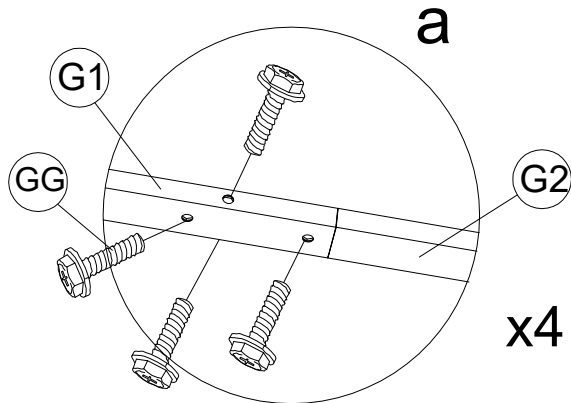
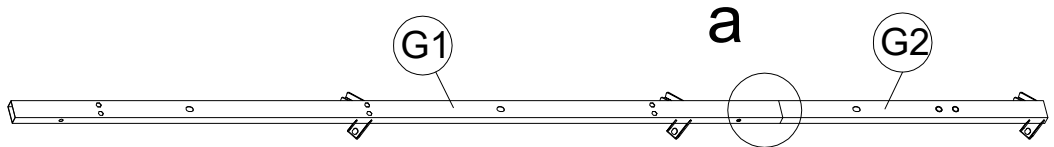
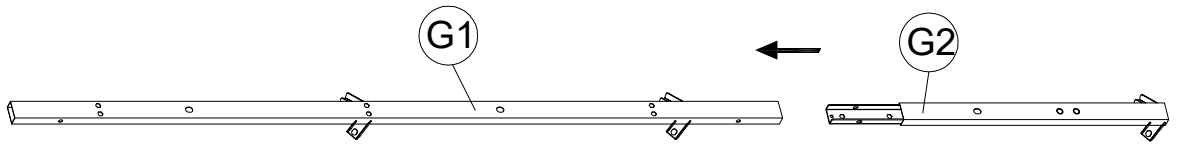
11



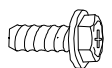
G1 x4



G2 x4

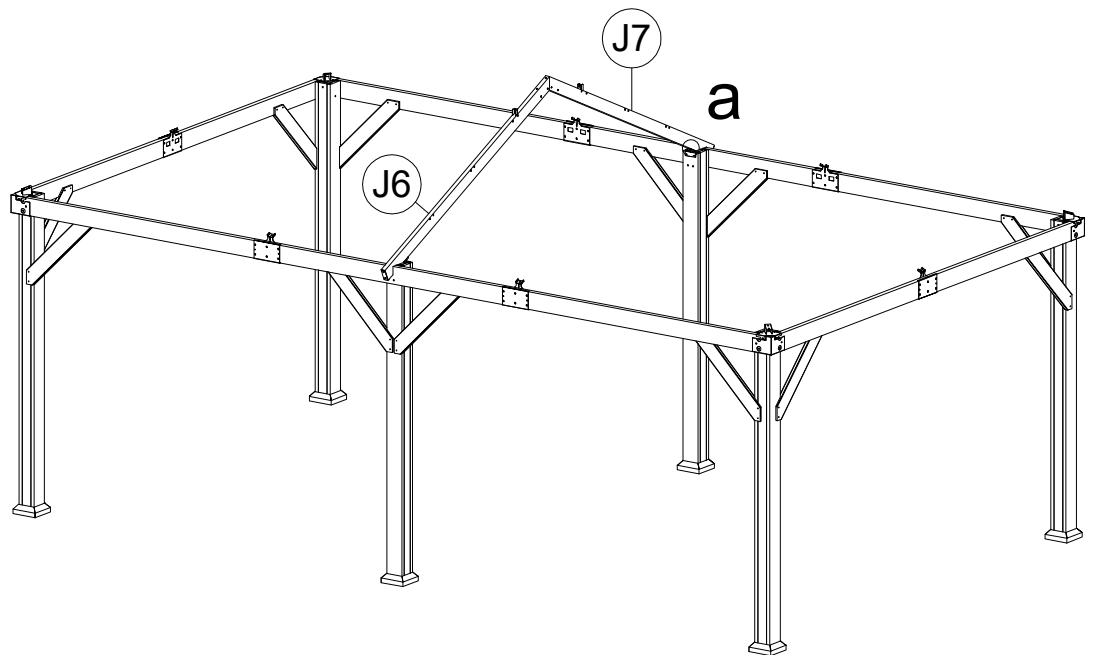
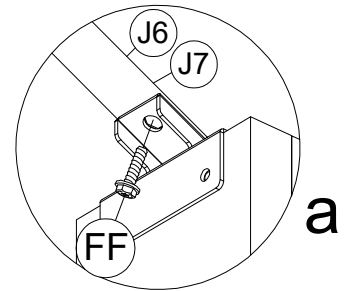
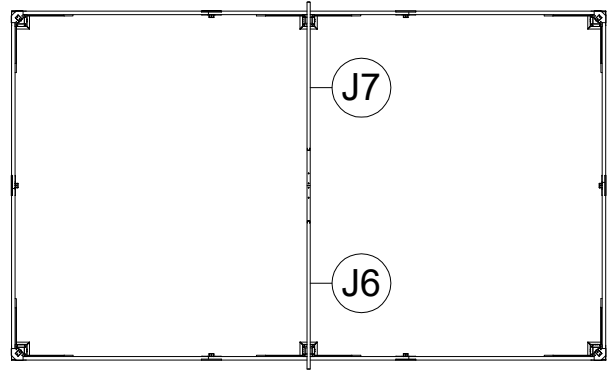


GG x16



M6x15

12



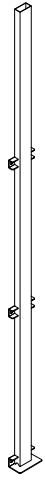
Caution! Make sure to hold the triangular beams securely during installation to prevent collapse..

FF x2

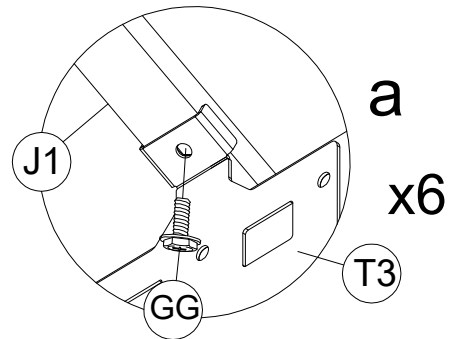
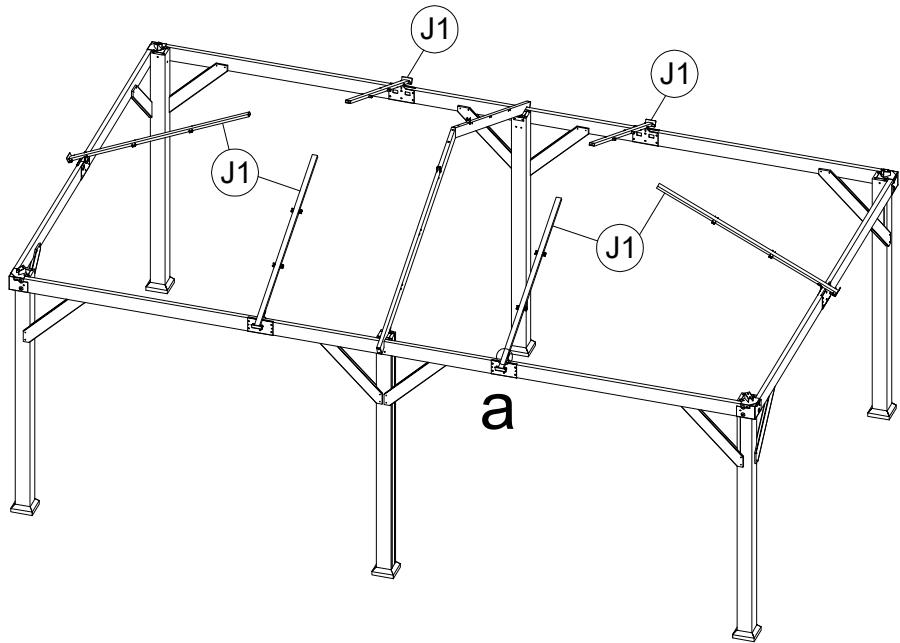
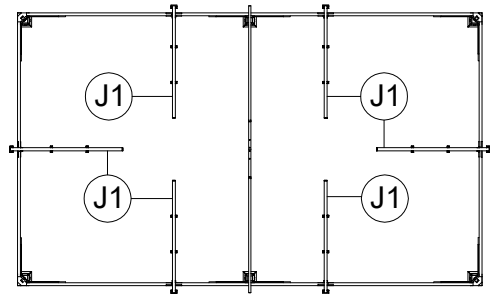


M6x20

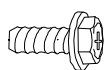
13



J1 x6

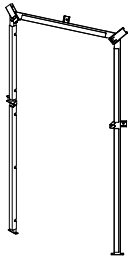


GG x6

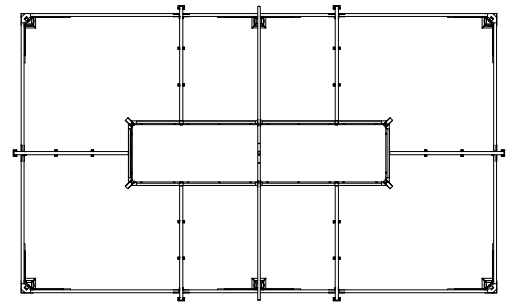


M6x15

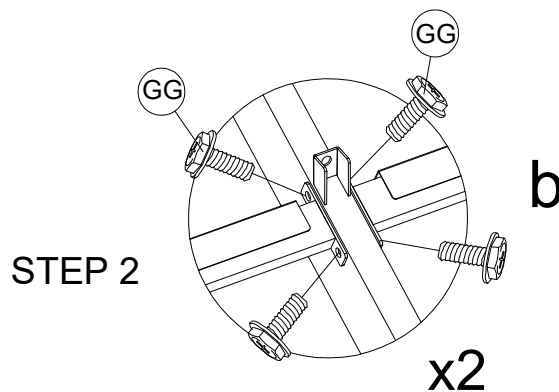
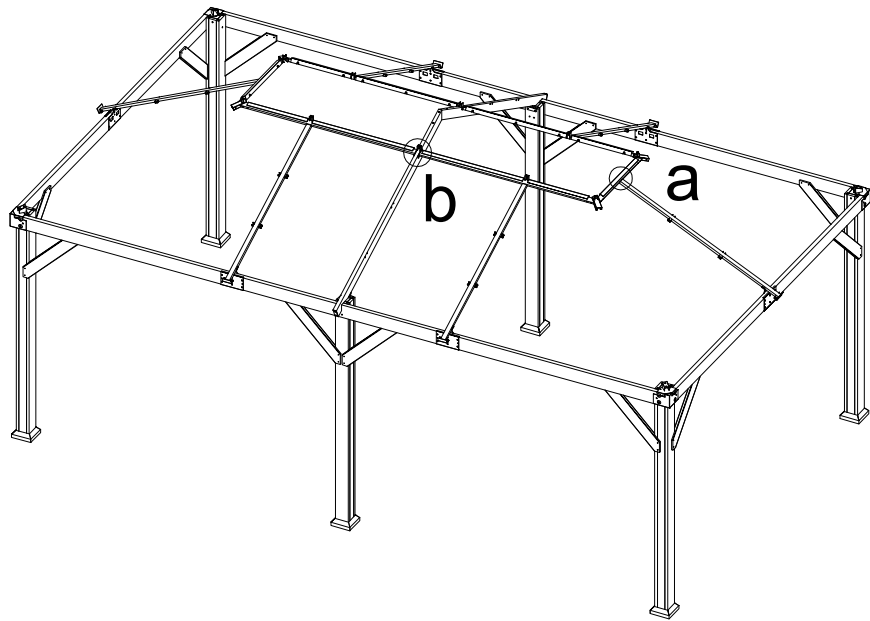
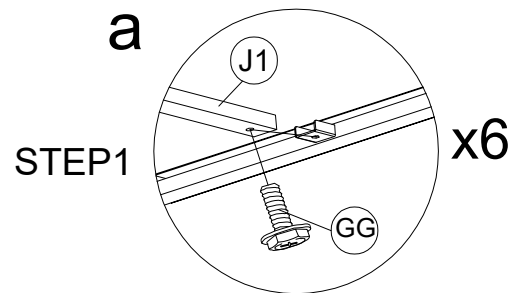
14



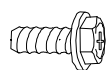
x2



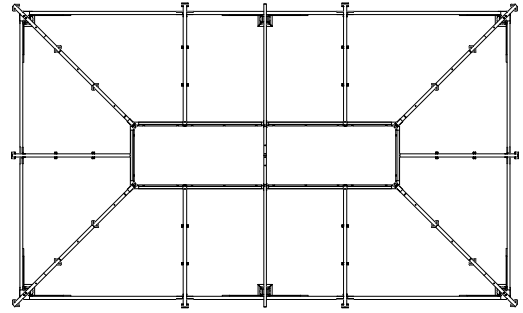
When installing the top frame, two people need to hold the ends while one person in the middle secures the screws first. Then, the person in the middle should hold it steady while the others install the supports at the four corners.



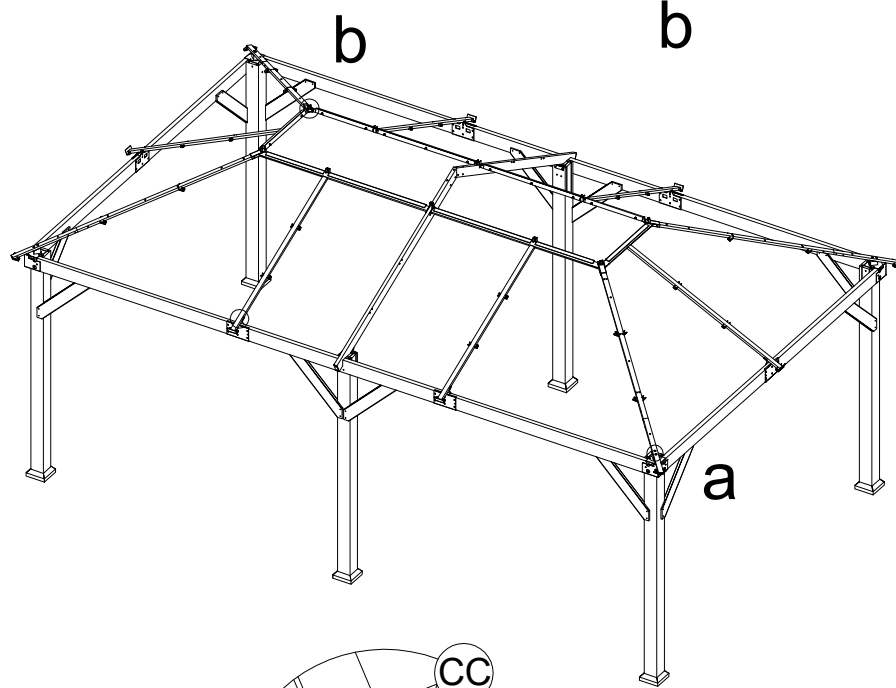
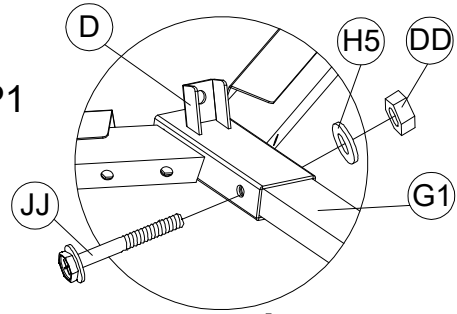
GG x14



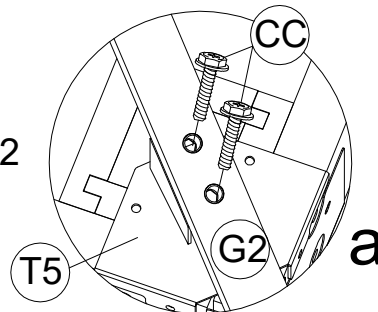
M6x15



STEP 1



STEP 2



DD x4

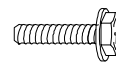


H5 x4



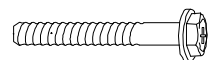
M6

CC x8



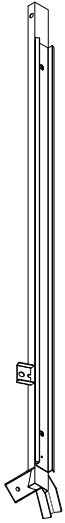
M6x35

JJ x4

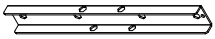


M6x55

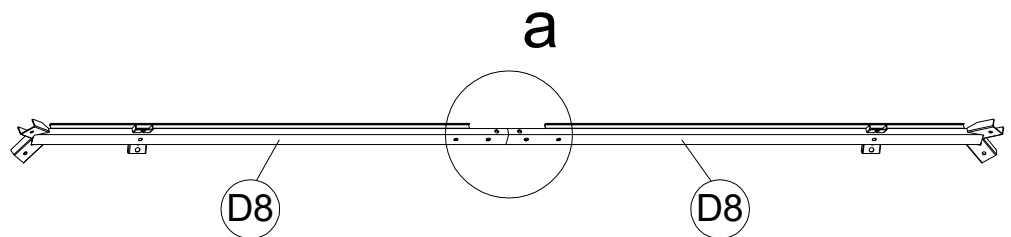
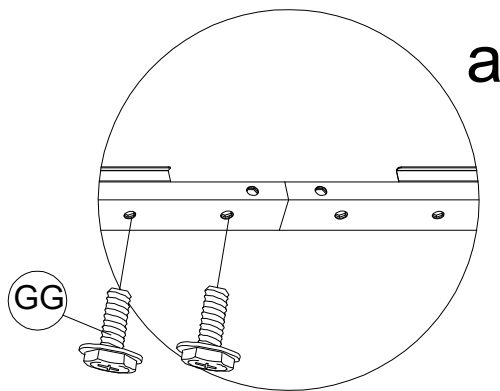
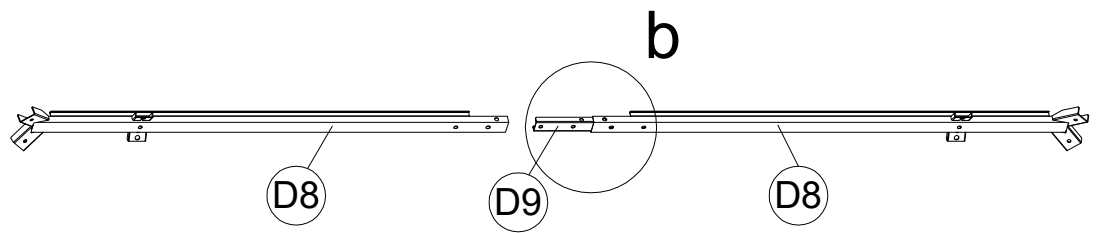
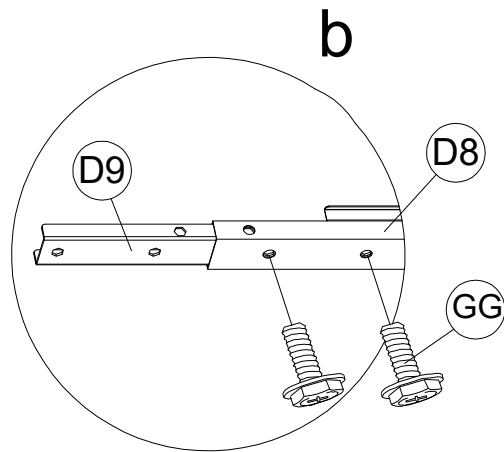
16



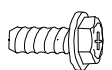
D8 x2



D9 x1

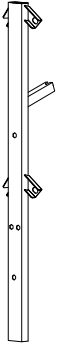


GG x4

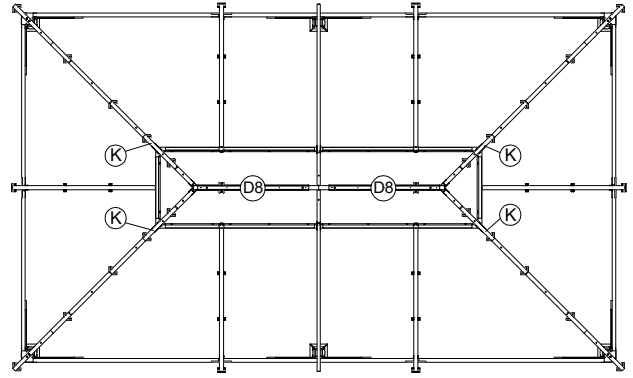


M6x15

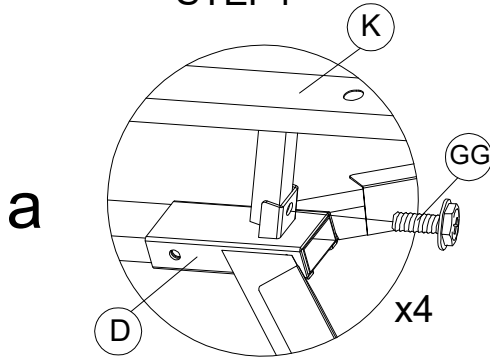
17



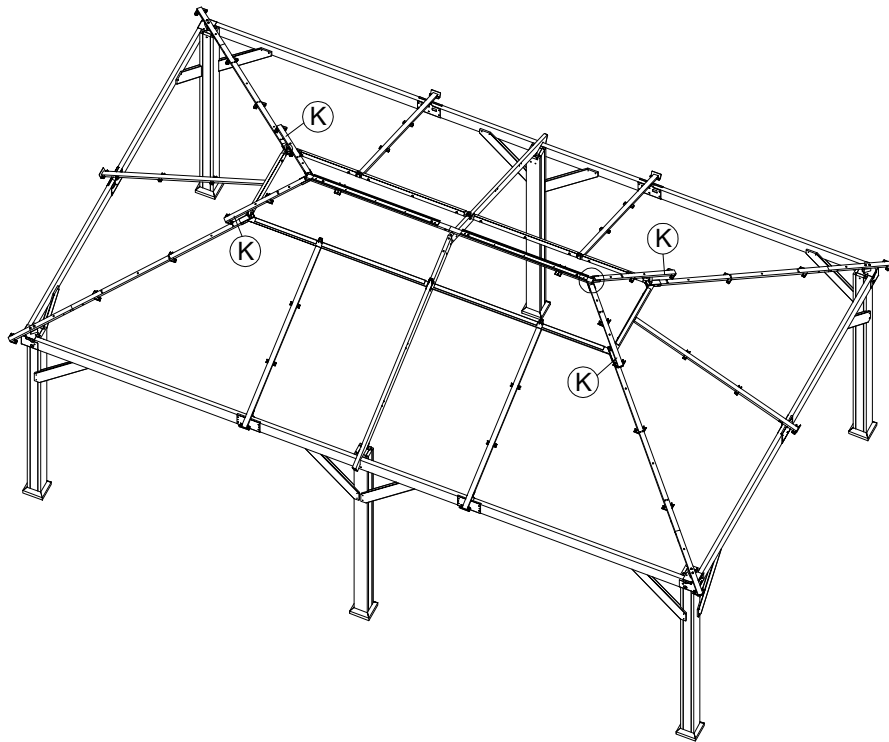
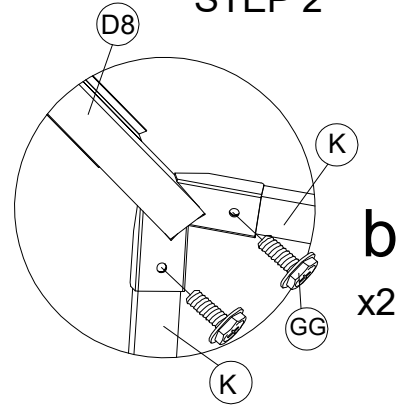
(K) x4



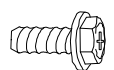
STEP 1



STEP 2

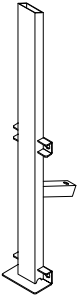


(GG) x8

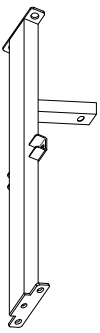


M6x15

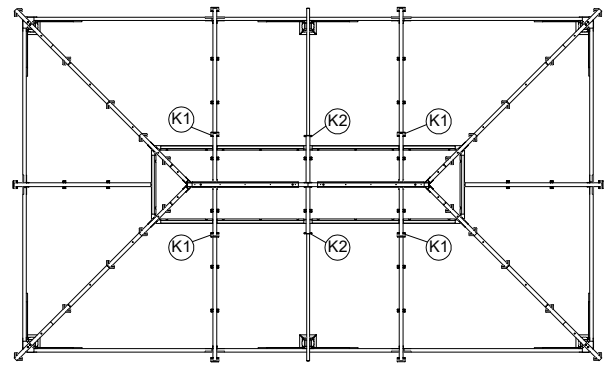
18



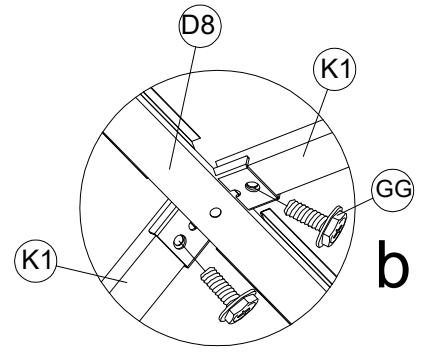
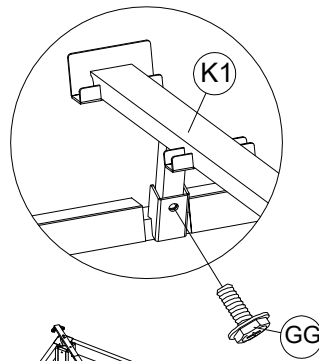
(K1) x4



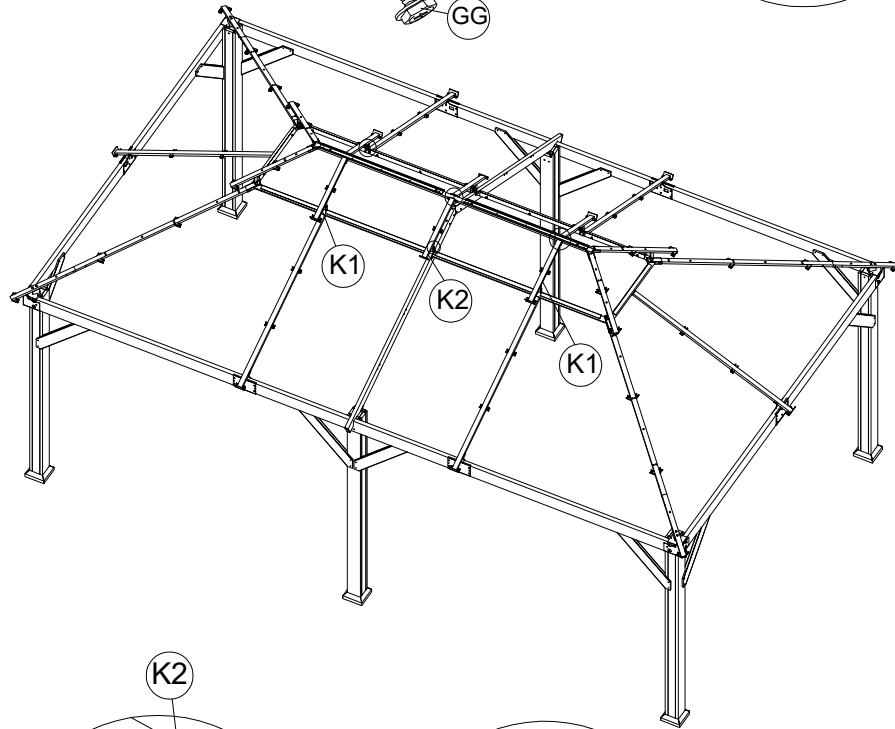
(K2) x2



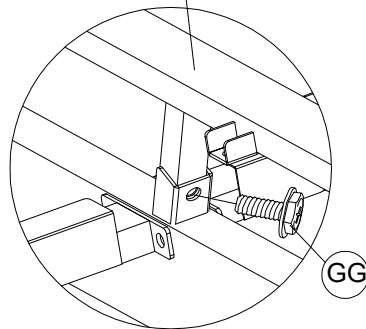
a



b

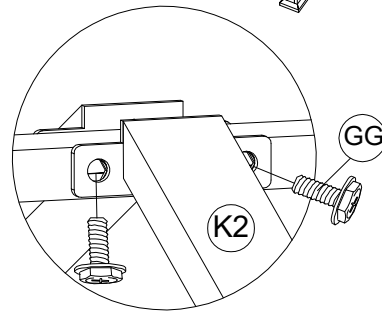


(K2)



(GG)

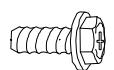
c



(GG)

d

(GG) x14

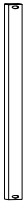


M6x15

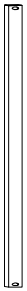
19



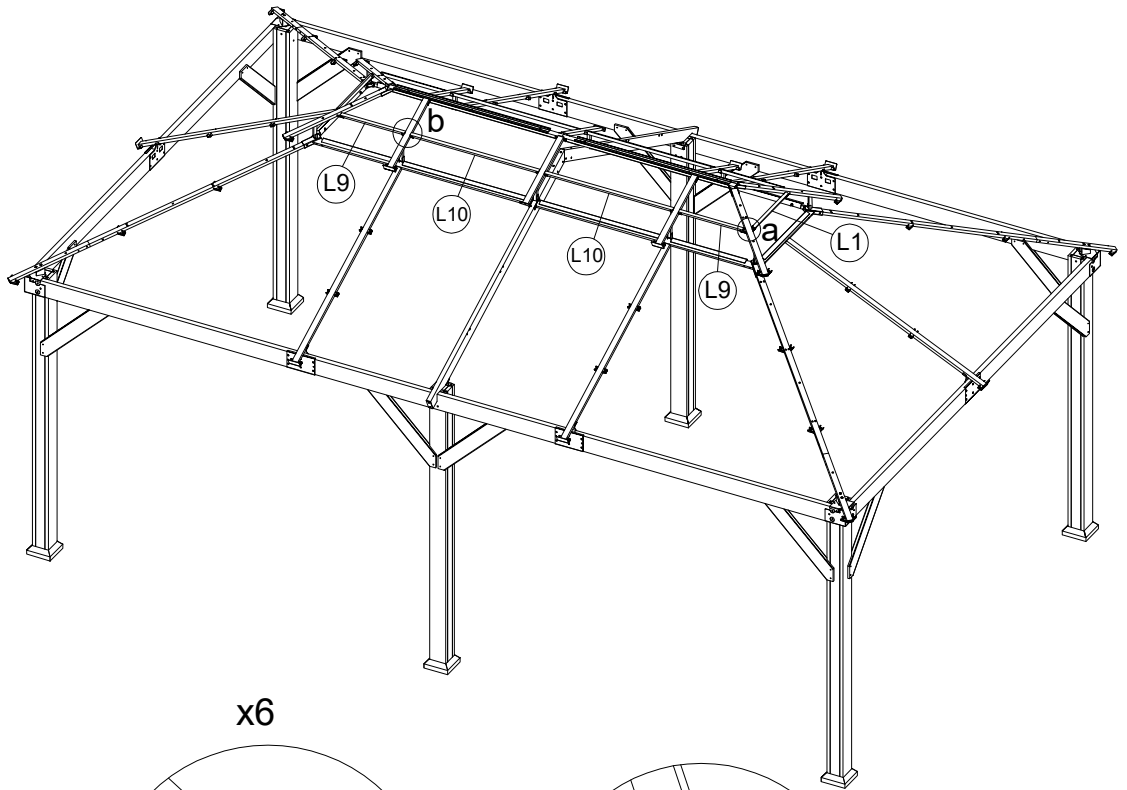
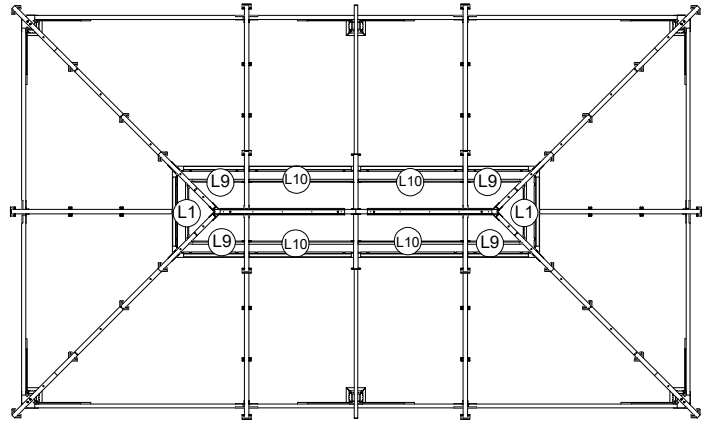
L1 x2



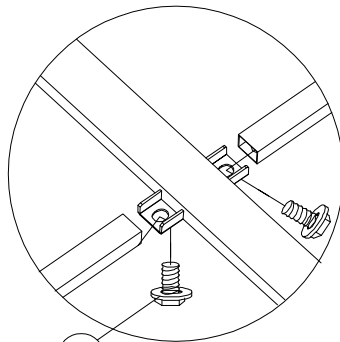
L9 x4



L10 x4

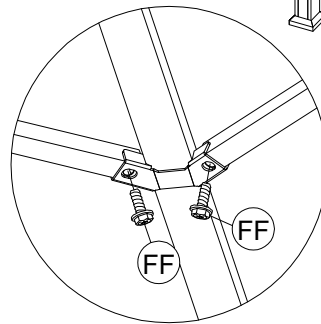


x6



FF

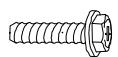
a



x4

b

FF x20



M6x20

20



M1 x2



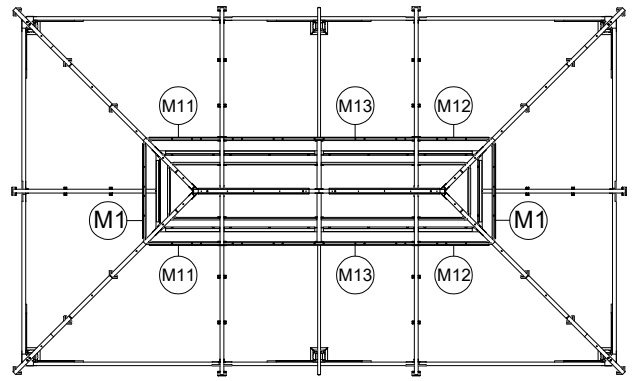
M11 x2



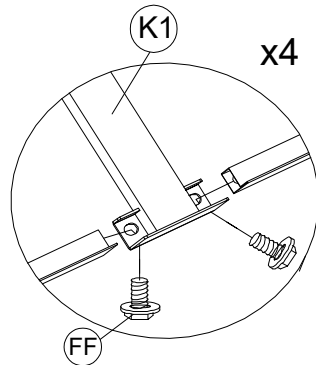
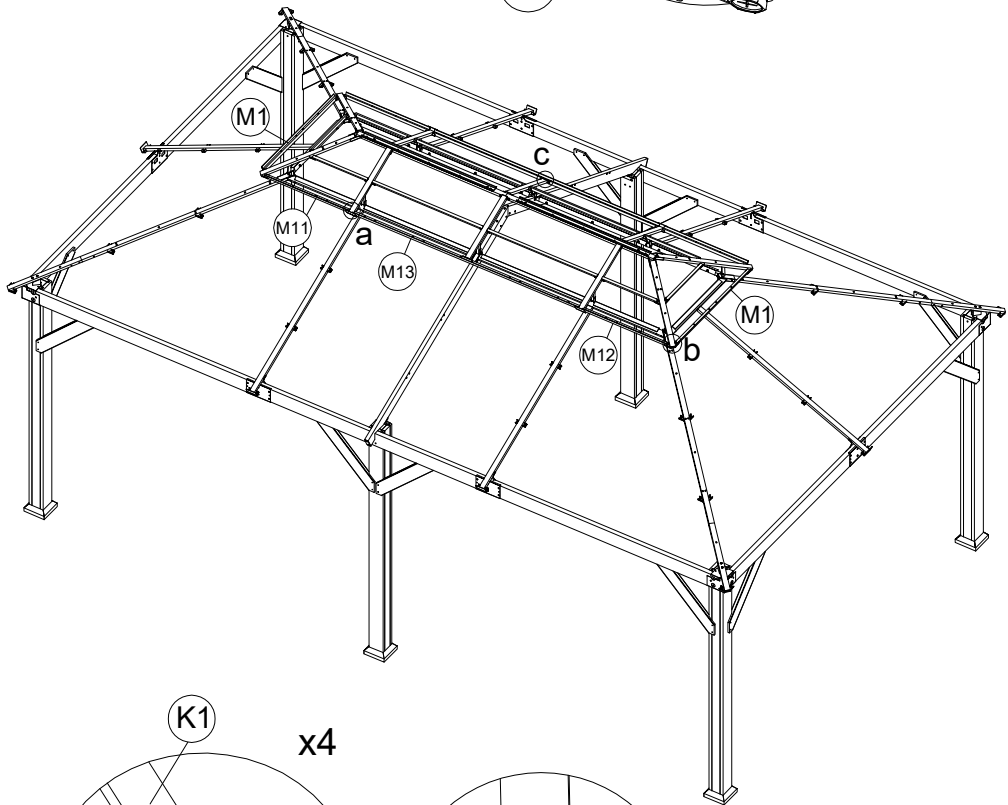
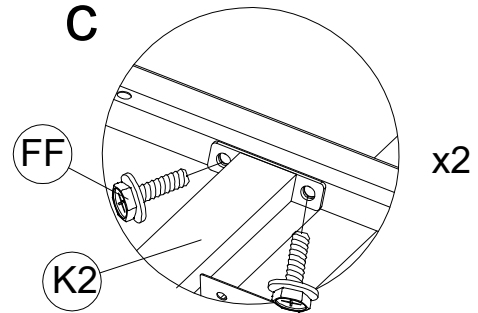
M12 x2



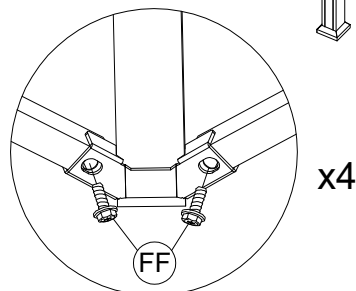
M13 x2



C

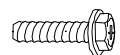


a



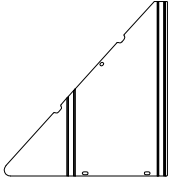
b

FF x20

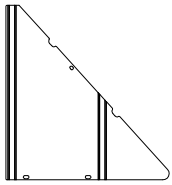


M6x20

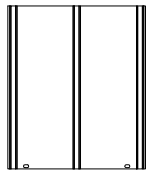
21



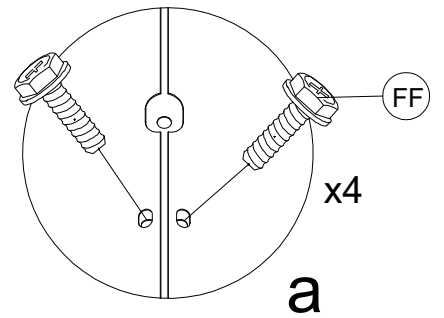
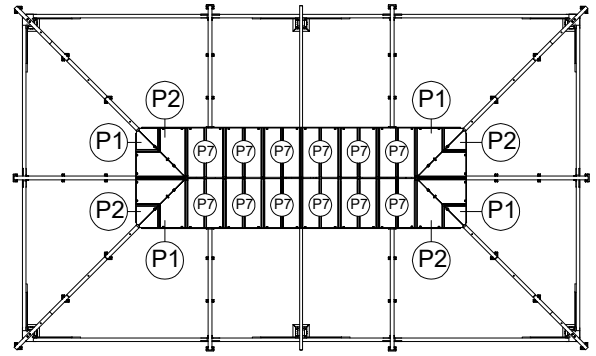
P1 x4



P2 x4

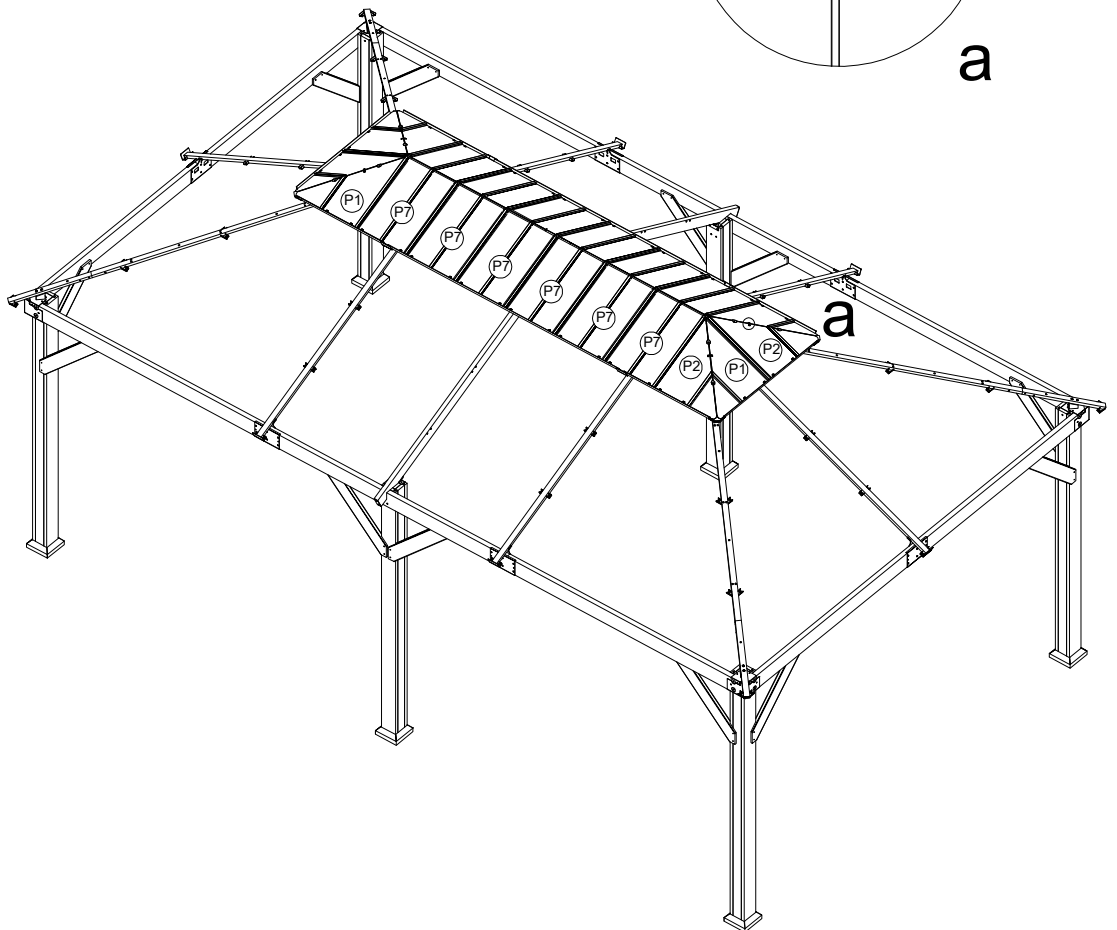


P7 x12

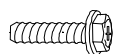


x4

a



FF x8

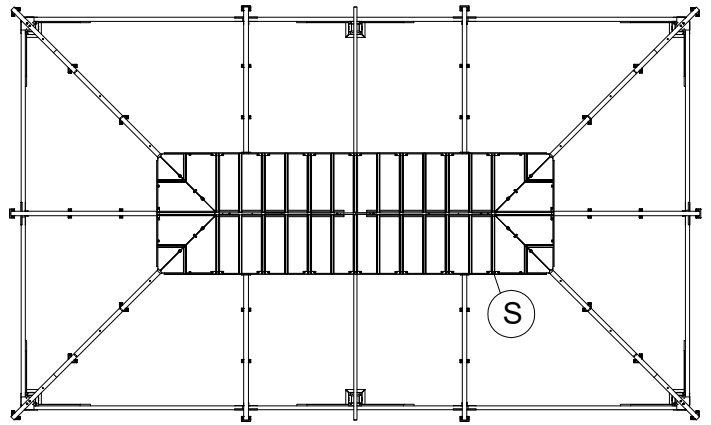


M6x20

22



(S) x16

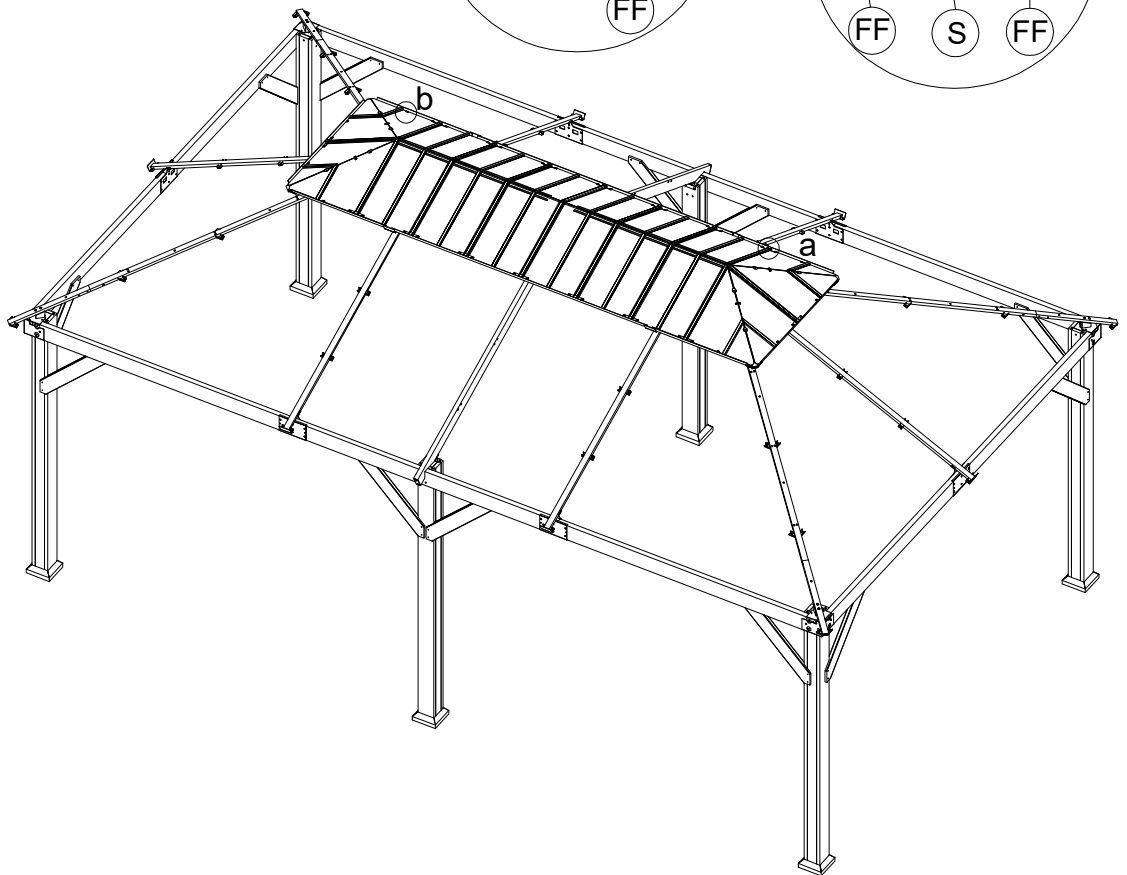
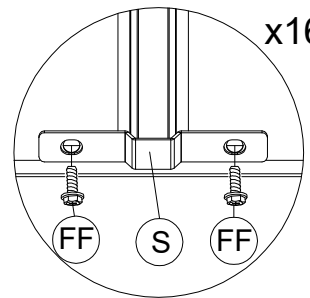
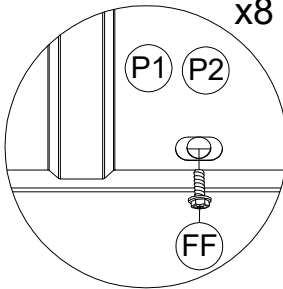


b

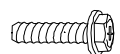
a

x8

x16

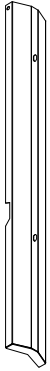


(FF) x40

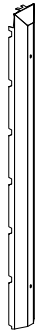


M6x20

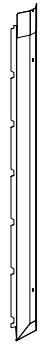
23



R8 x4



R9 x1



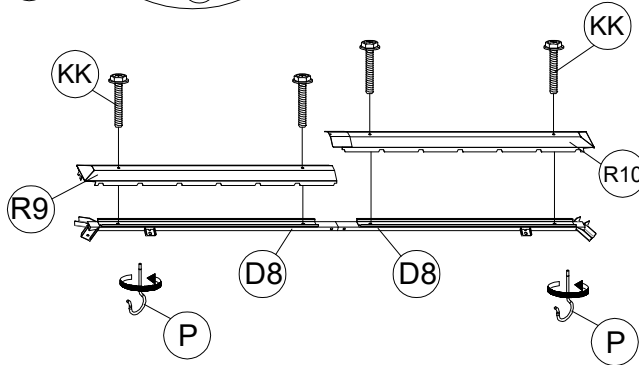
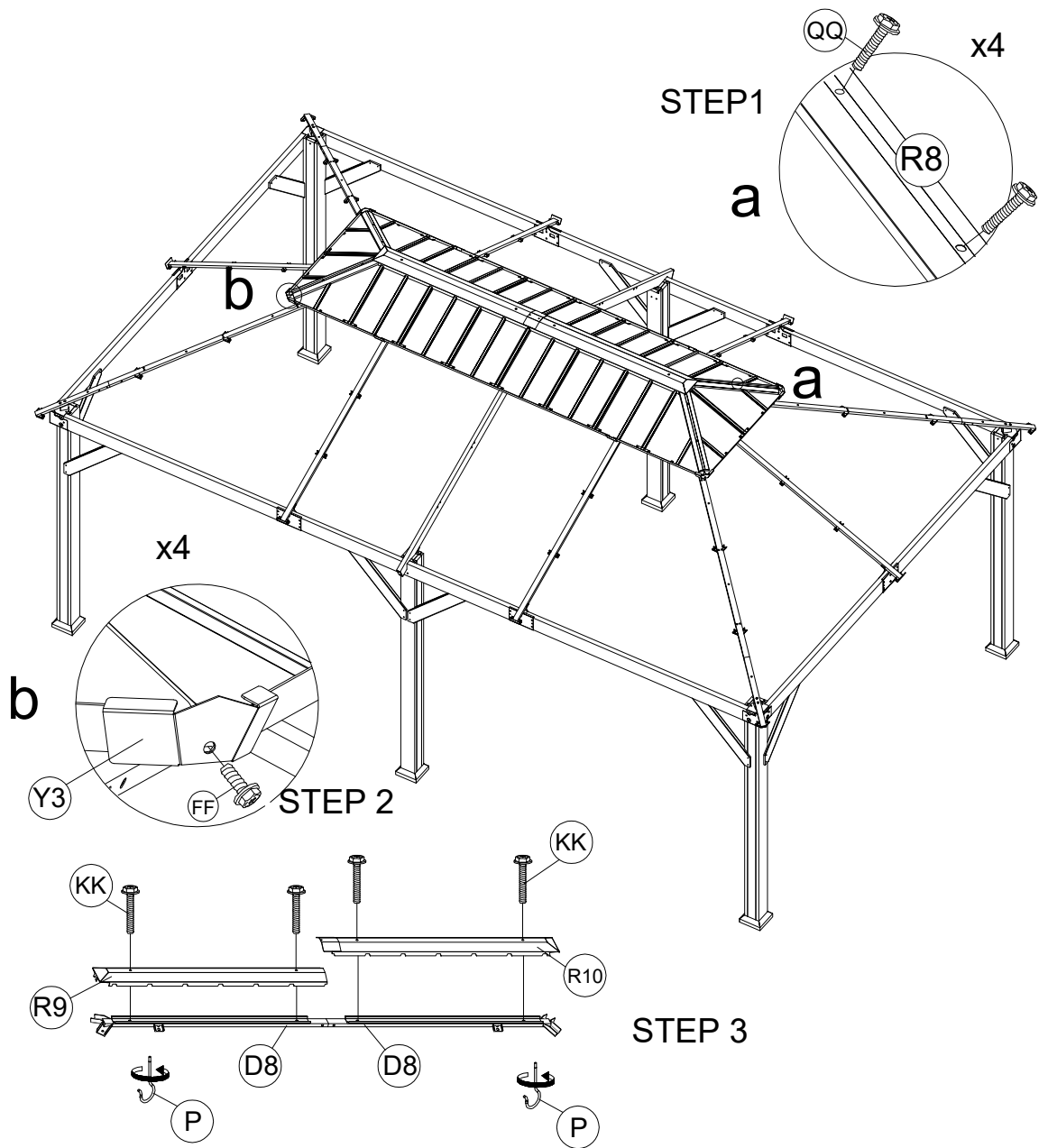
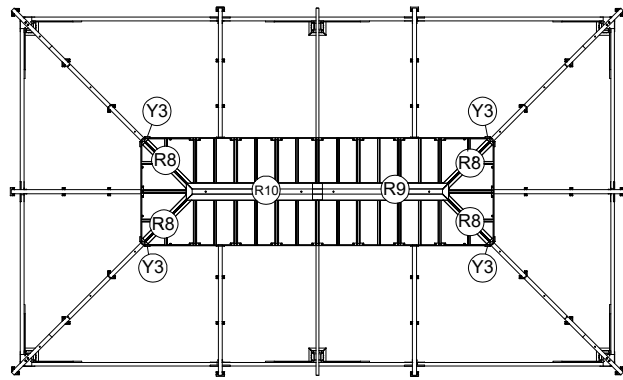
R10 x1



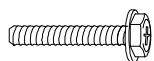
P x2



Y3 x4

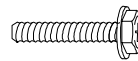


KK x4



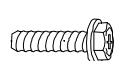
M6x45

QQ x8



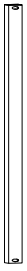
M6x40

FF x4



M6x20

24



L5 x4



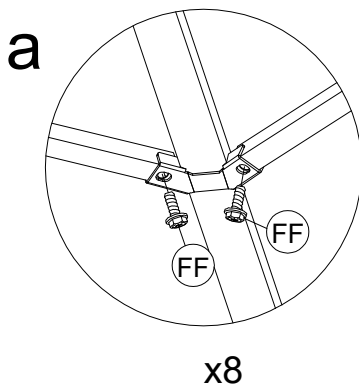
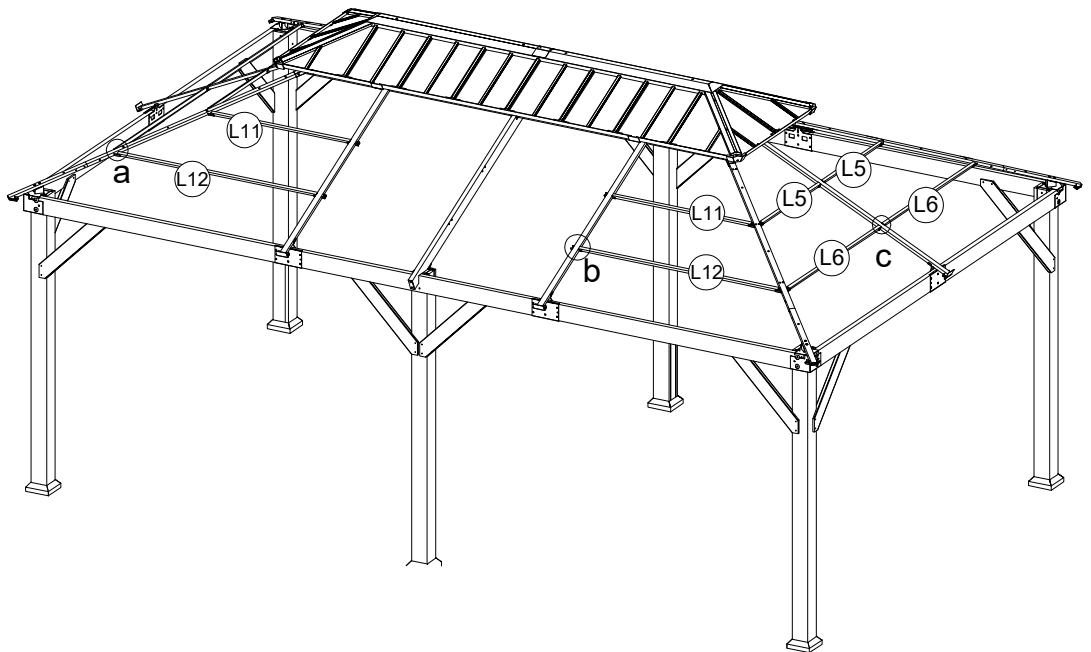
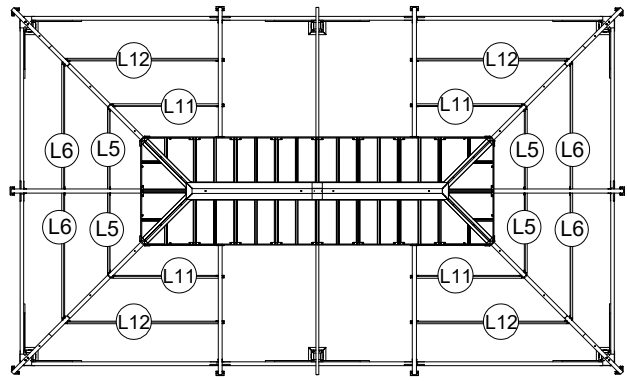
L6 x4



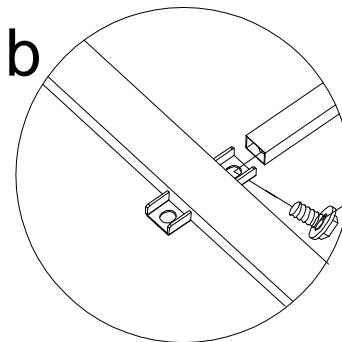
L11 x4



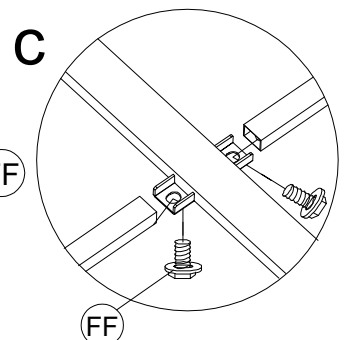
L12 x4



x8

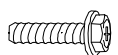


x8



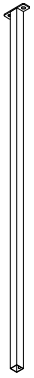
x8

FF x32

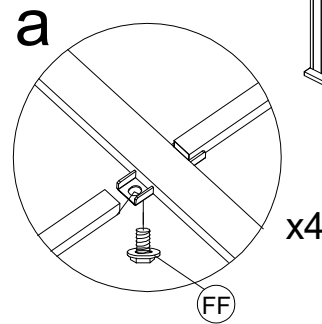
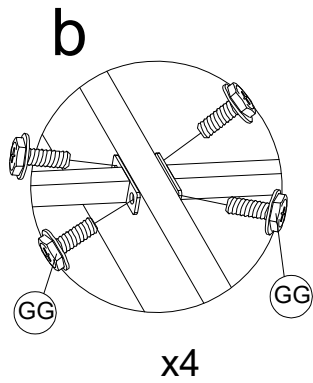
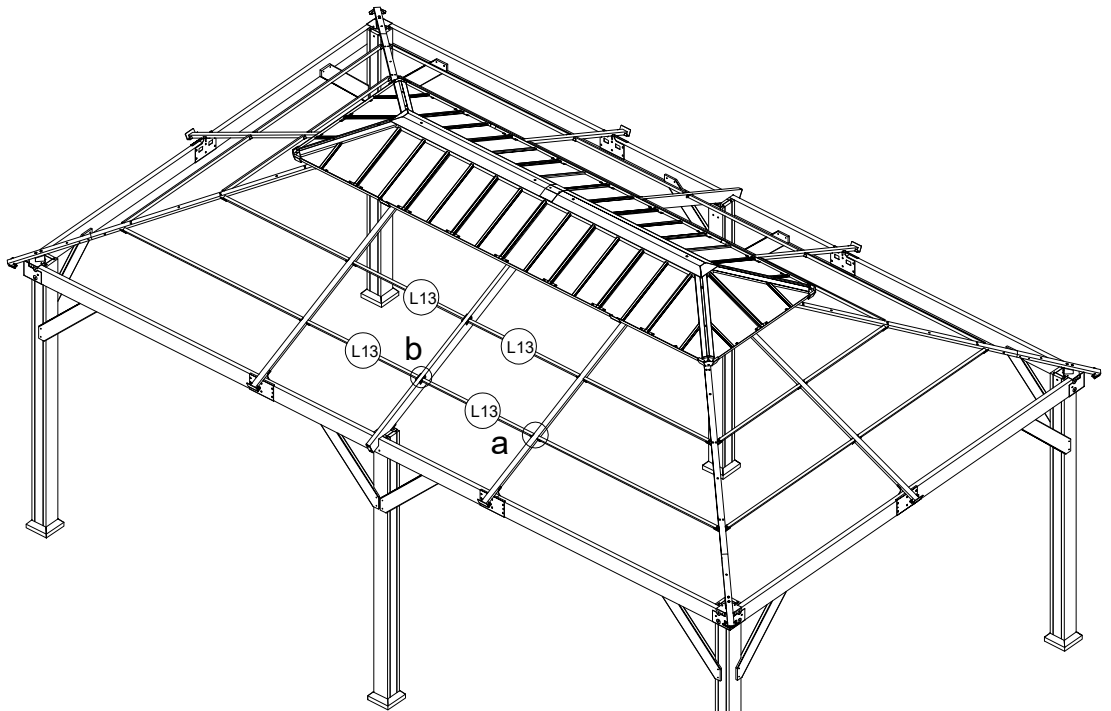
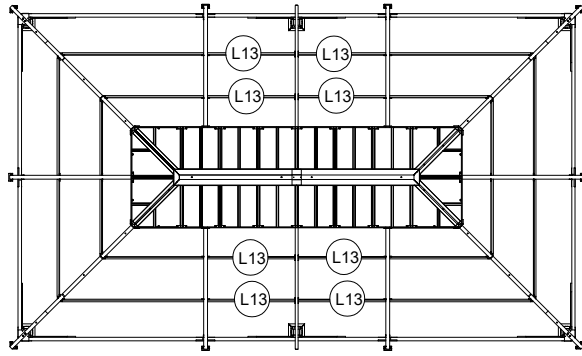


M6x20

25



L13 x8

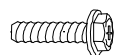


GG x16



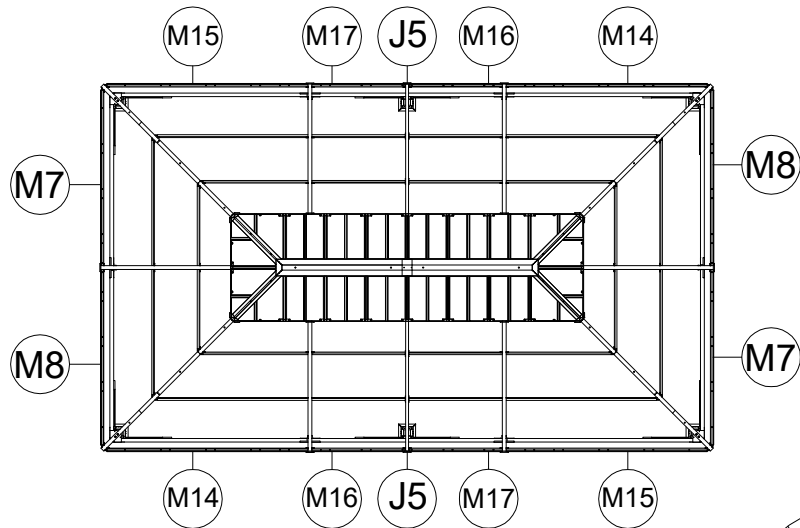
M6x15

FF x8



M6x20

26



M7 x2

M8 x2

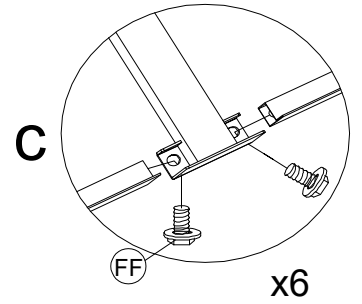
M14 x2

M15 x2

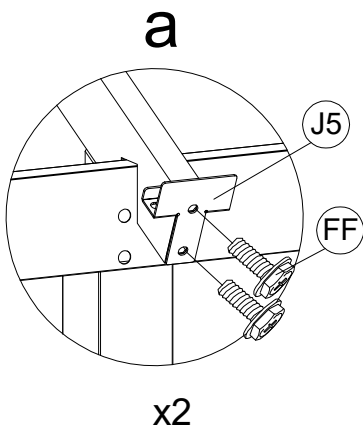
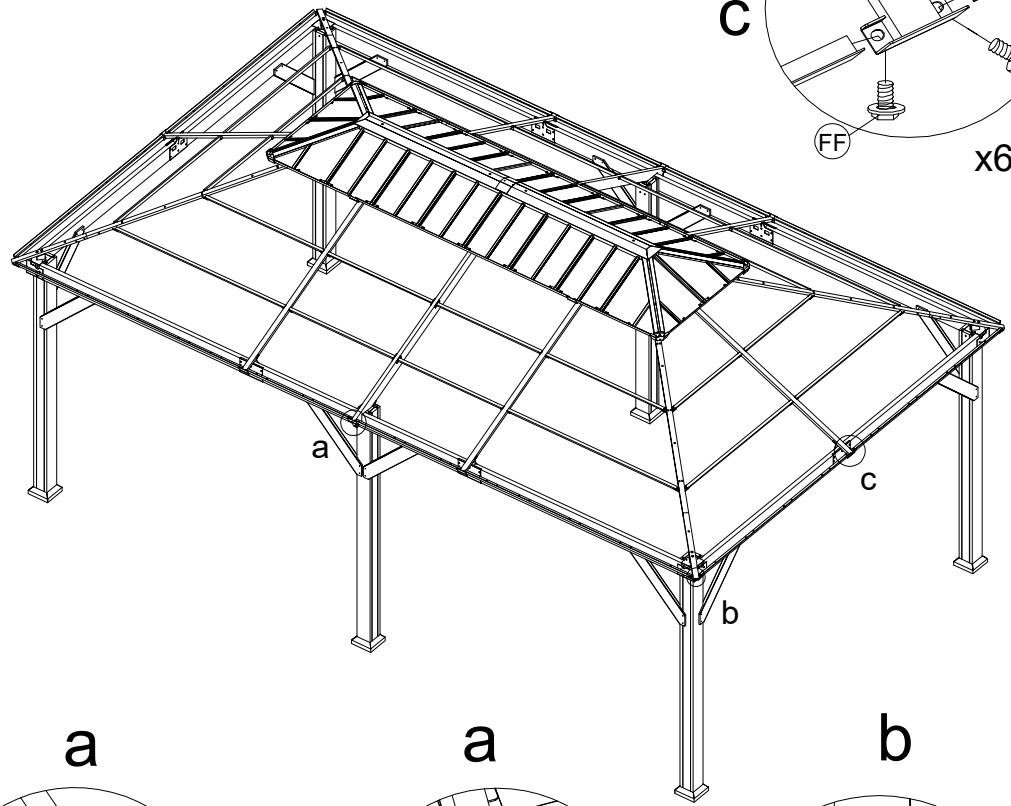
M16 x2

M17 x2

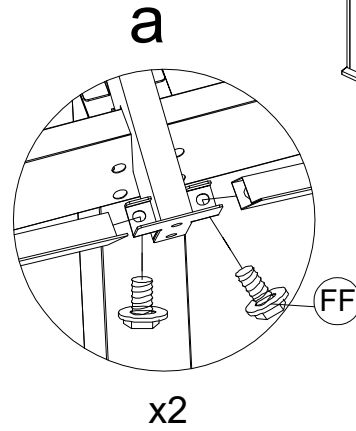
J5 x2



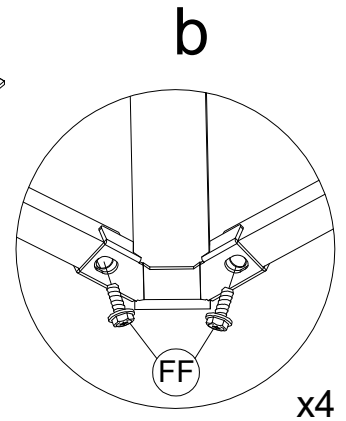
x6



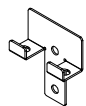
x2



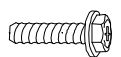
x2



x4

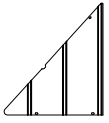


FF x28

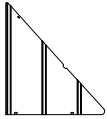


M6x20

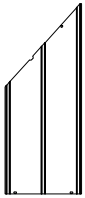
27



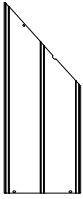
Q1 x2



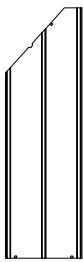
Q2 x2



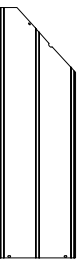
Q3 x2



Q4 x2



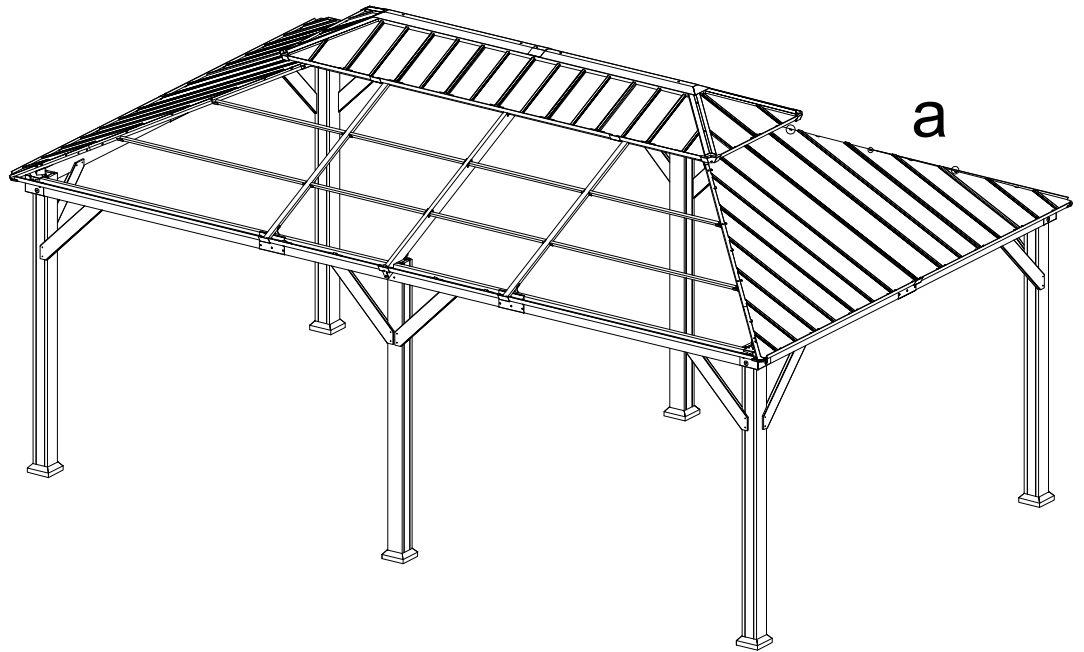
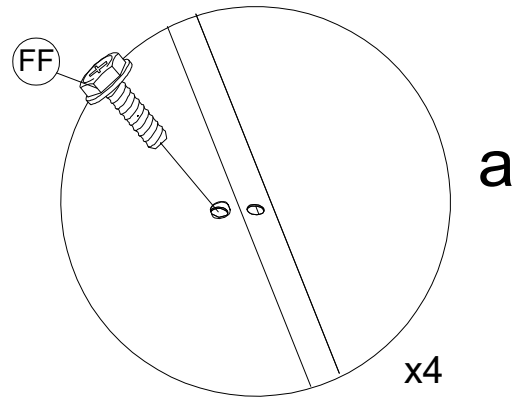
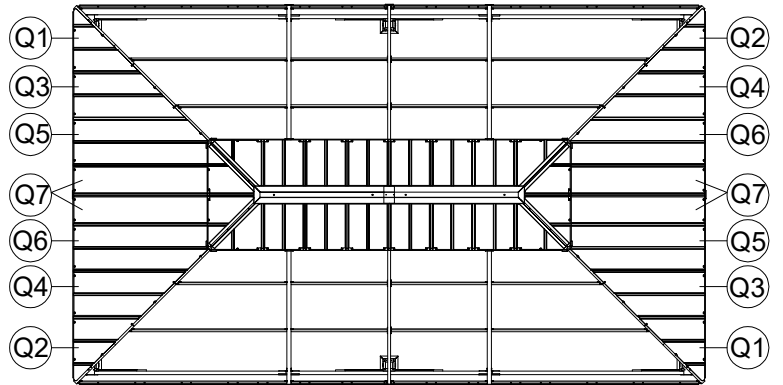
Q5 x2



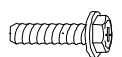
Q6 x2



Q7 x4

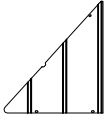


FF x12

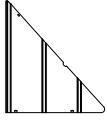


M6x20

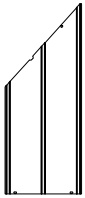
28



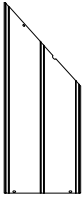
Q1 x2



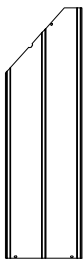
Q2 x2



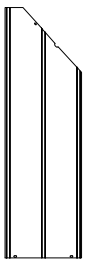
Q3 x2



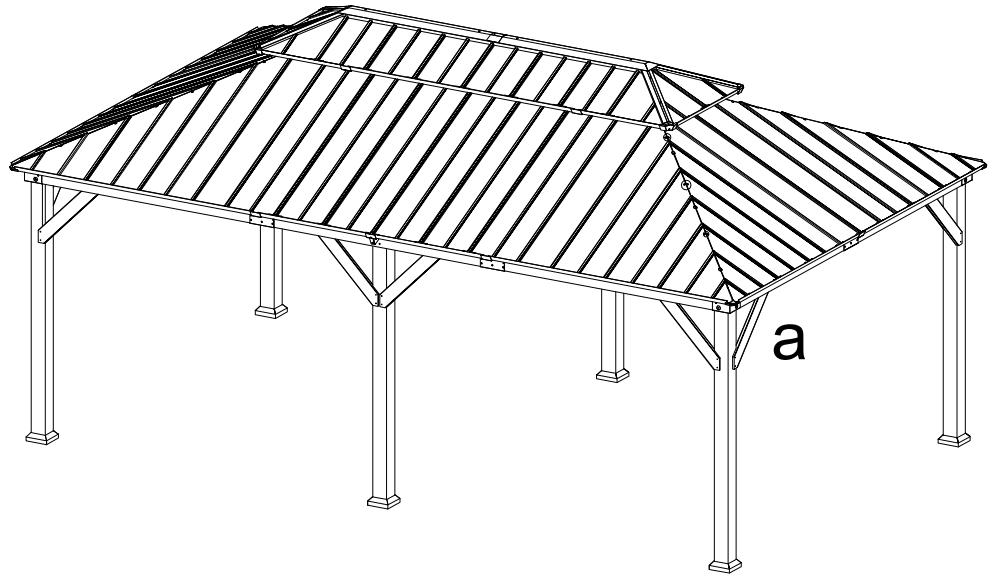
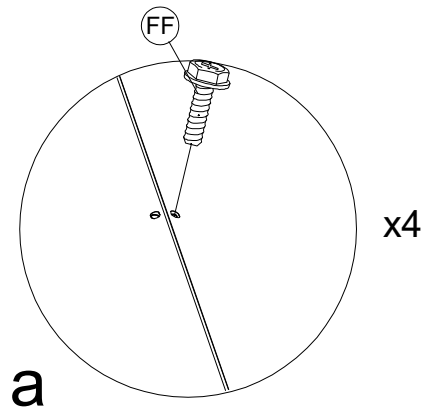
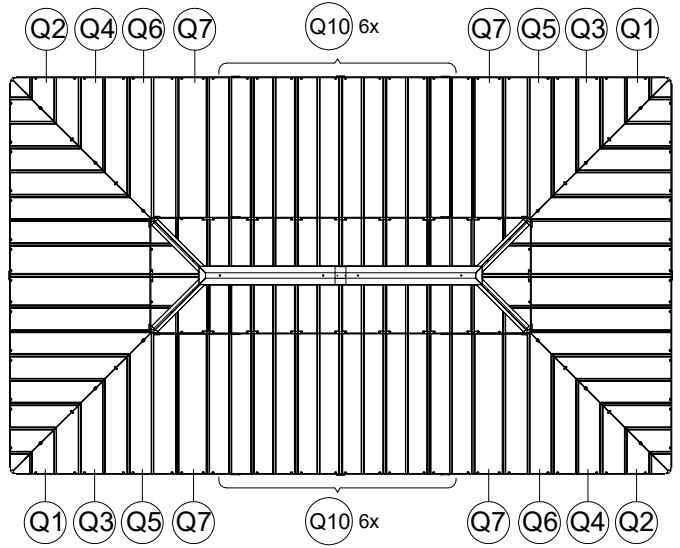
Q4 x2



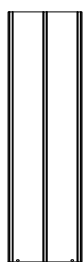
Q5 x2



Q6 x2

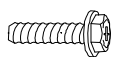


Q7 x4



Q10 x12

FF x12

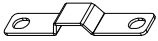


M6x20

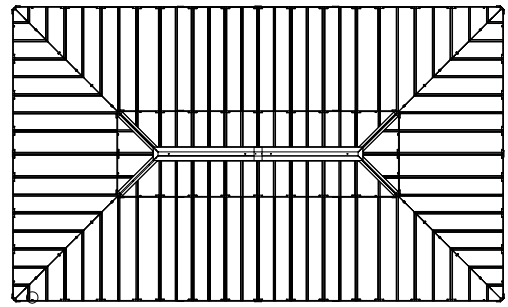
29



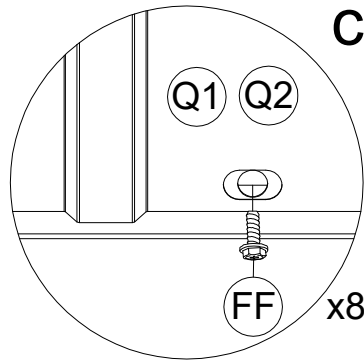
Y3 x4



S x40

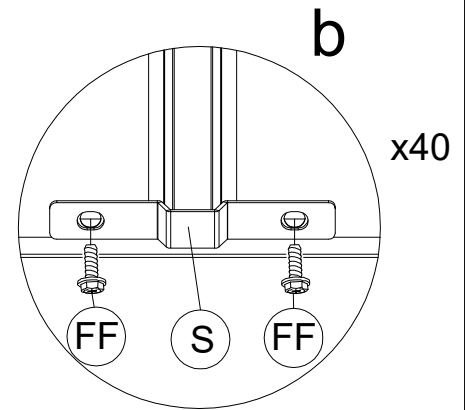


C



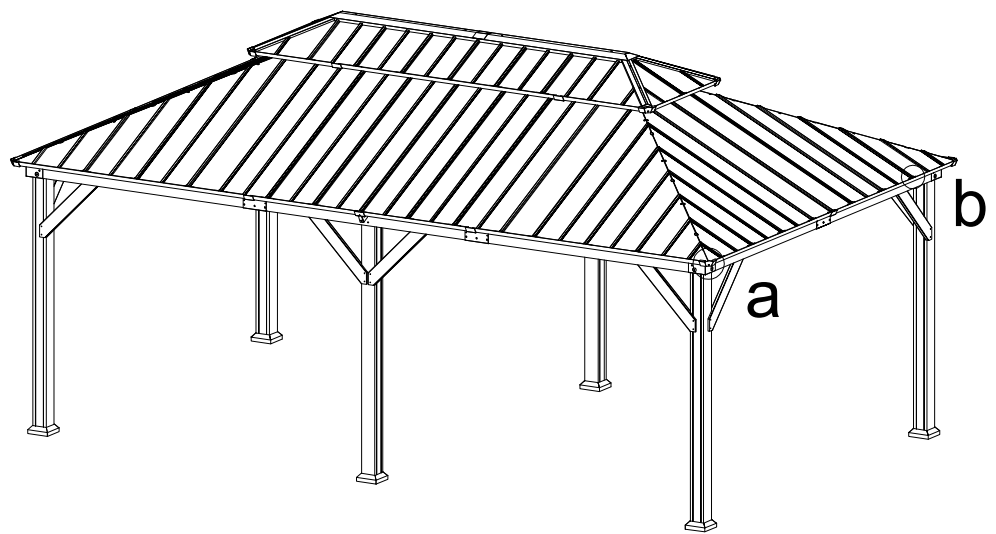
C

x8



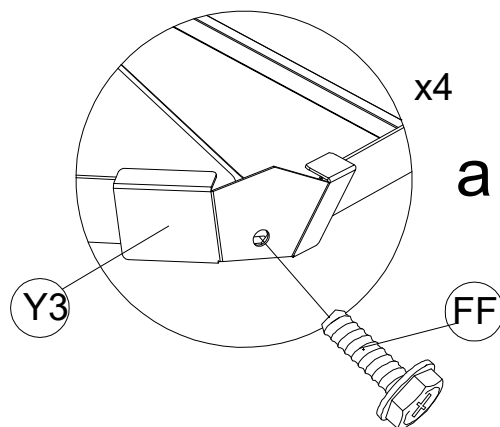
b

x40



a

b



x4

a

Y3

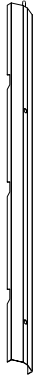
FF

FF x92



M6x20

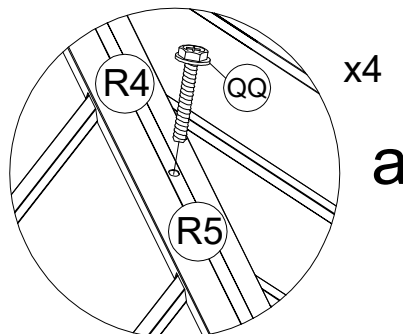
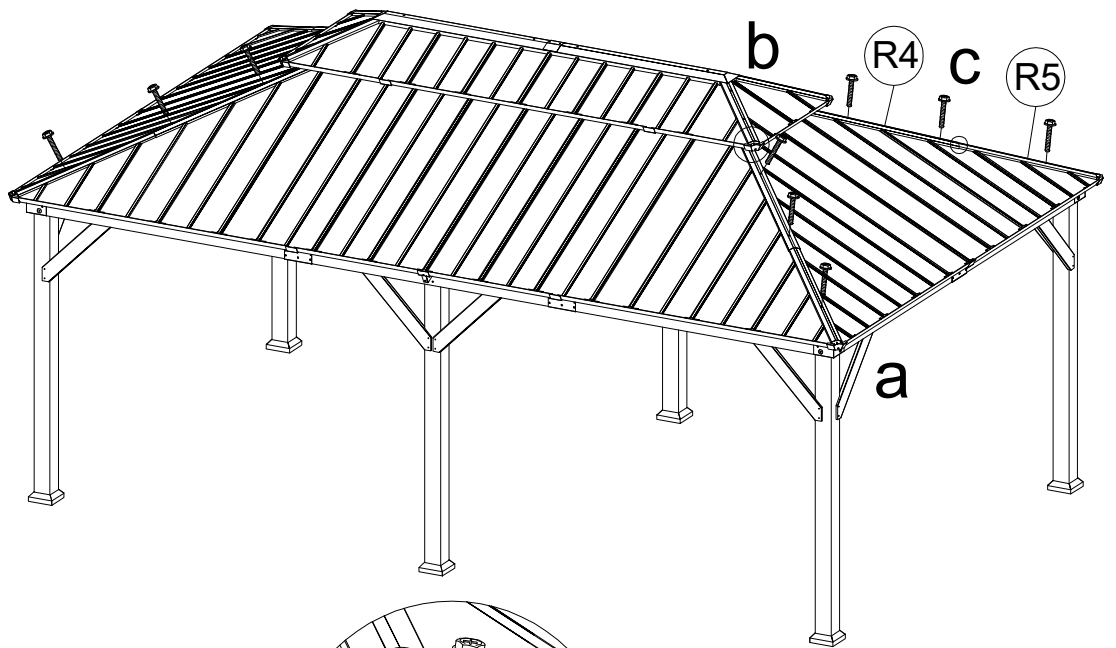
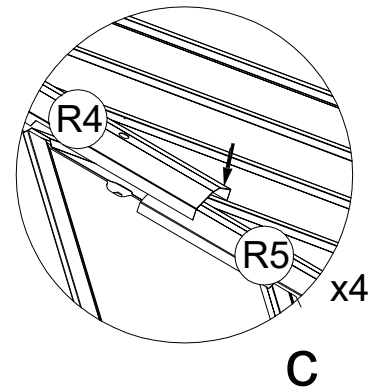
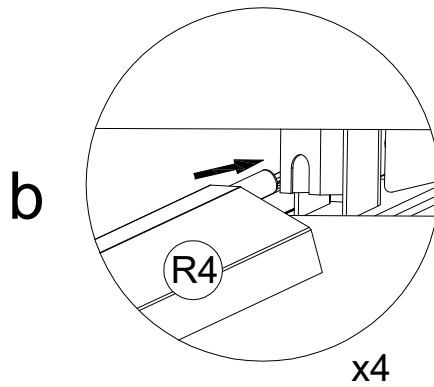
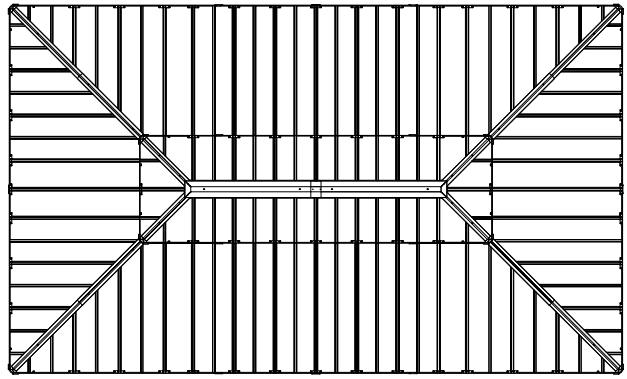
30



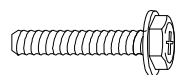
R4 x4



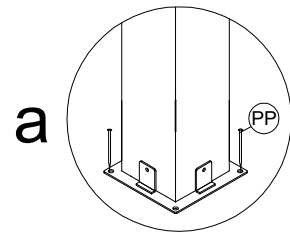
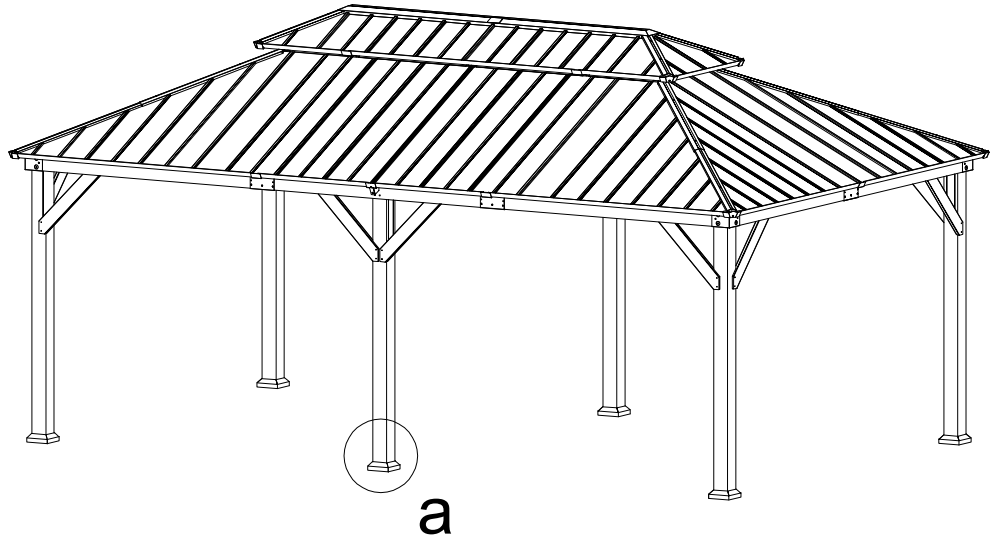
R5 x4



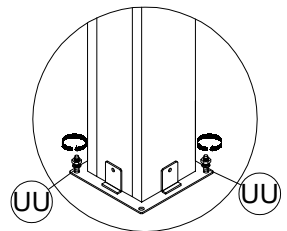
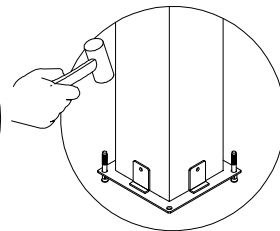
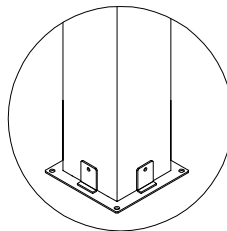
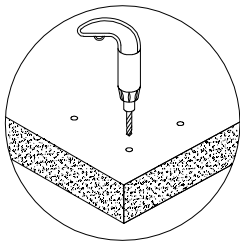
QQ x12



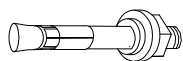
M6x40



x6

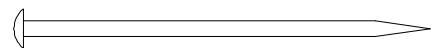


UU x12



M6x80

PP x12



D8x180