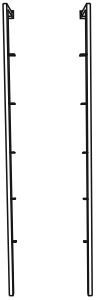
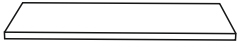








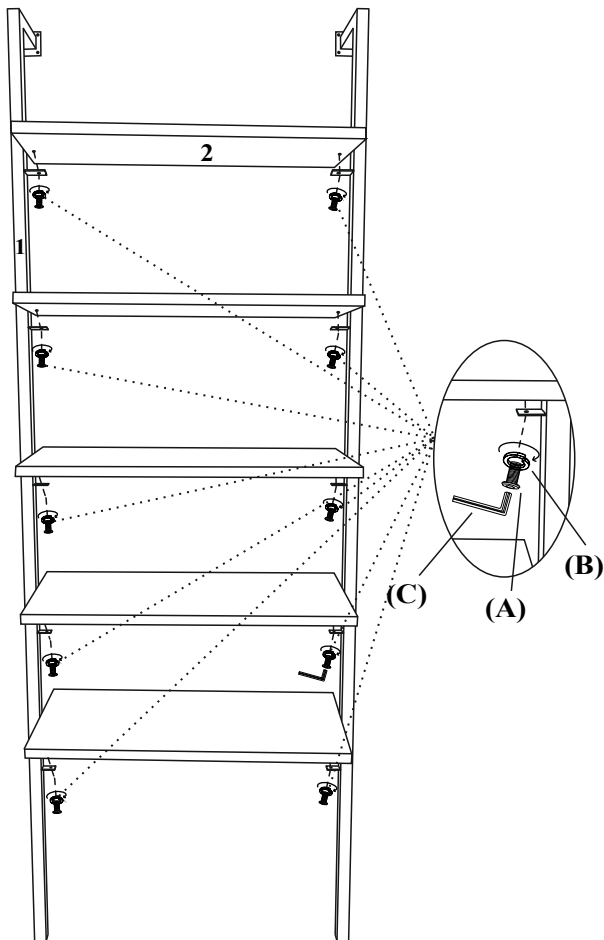
ITEM NAME / NOM D'ITEM: ZEBRA SHELF

PARTS LIST / LISTE DES PIÈCES

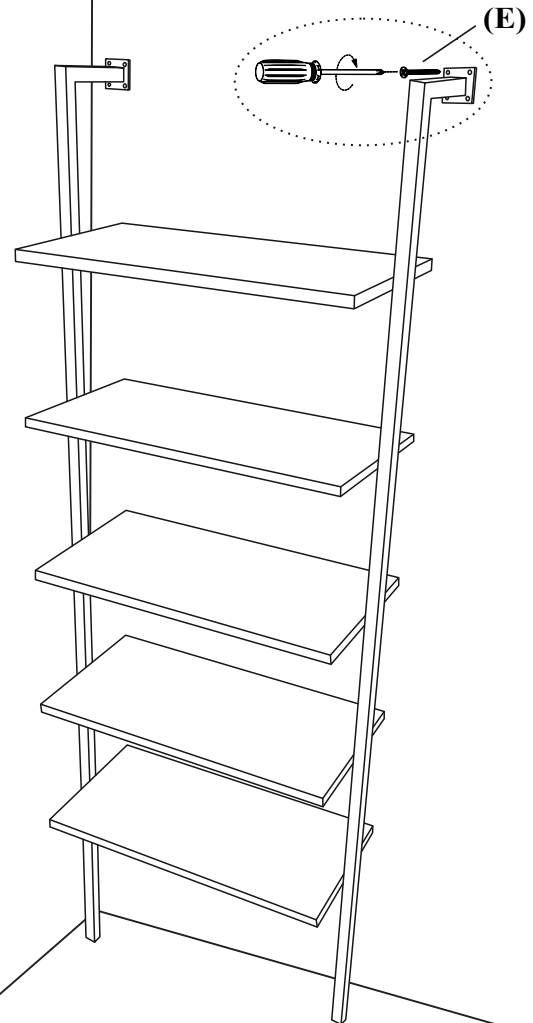
(1)	(2)	(3)					
		(A) 	(B) 	(C) 	(D) 	(E) 	(F) 
X2	X5	X10	X10	X1	X8	X8	X2

ASSEMBLY INSTRUCTIONS / INSTRUCTIONS D'ASSEMBLAGE

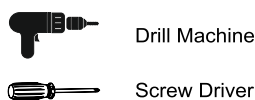
(I) Put the Shelves (2) on the metal Legs (1)



(II) Fix the Shelf on the wall by using screws.



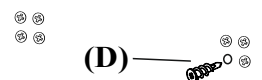
TOOLS REQUIRED



Drill the black Dot

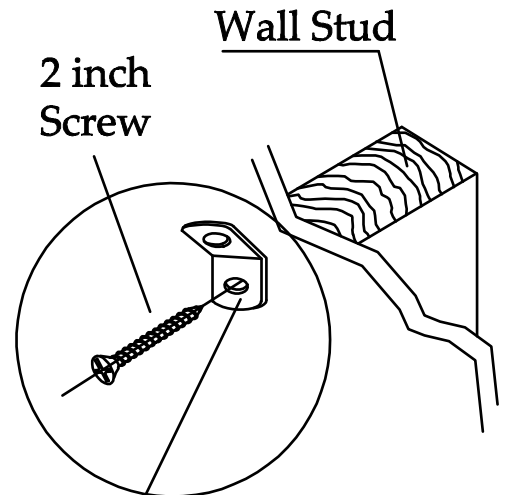


Insert plastic Anchor (D) into the wall



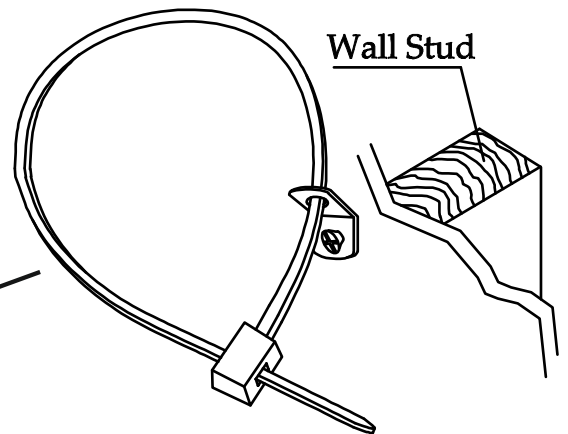
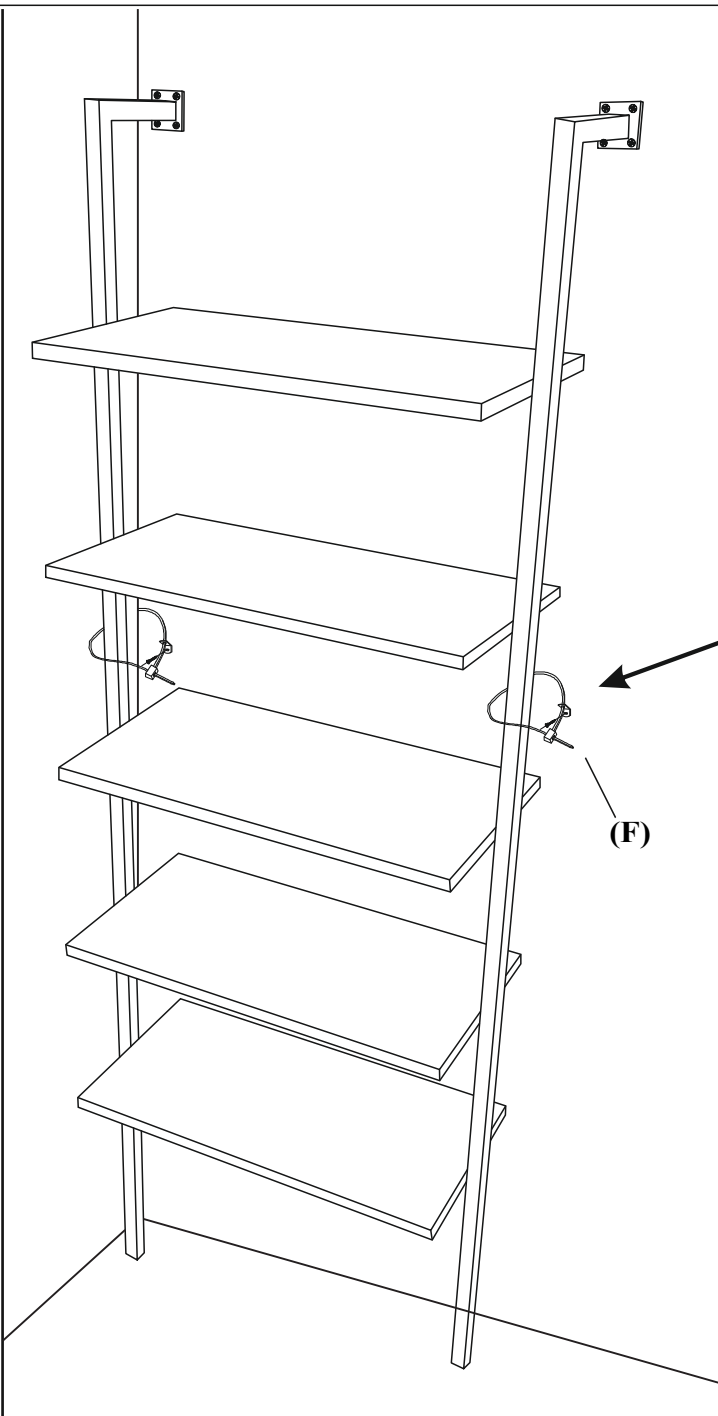
To install the furniture tipping restraint:

1. Determine the approximate location where the bookshelf will be placed. Locate a wall stud.
2. Attach one of the 'L' brackets to the wall stud using the 2" screw through the small hole in the 'L' bracket.
3. Position the bookshelf, then install the strap around the leg and through the 'L' bracket as shown.



Install screw through the small hole in bracket

(III)



Install the strap through the 'L' bracket and around the leg of the bookshelf