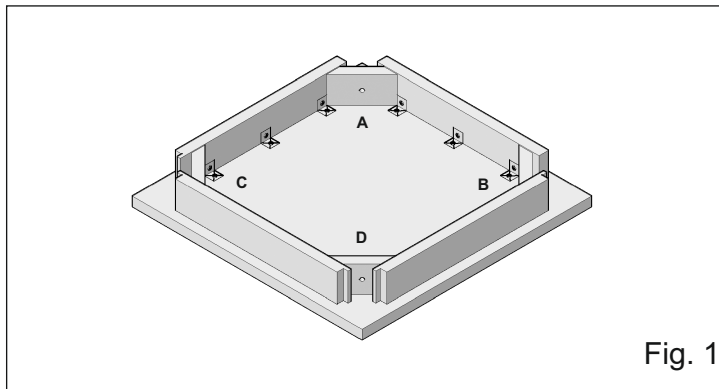
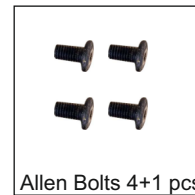
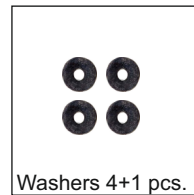
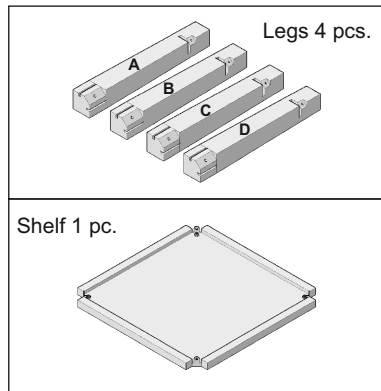
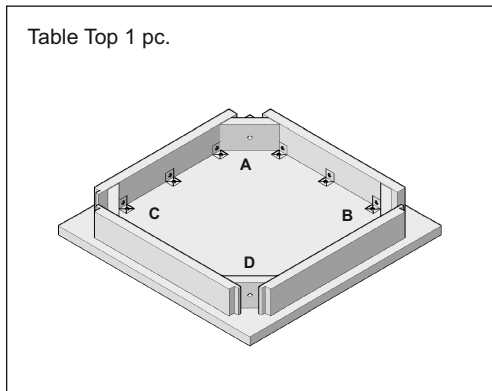


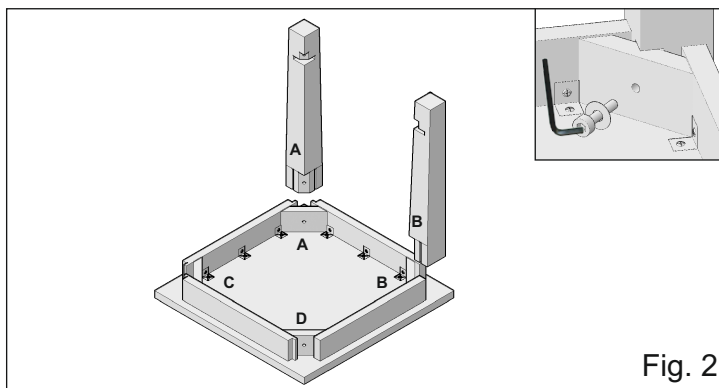
# ASSEMBLY INSTRUCTIONS FOR SONORA END TABLE



## Pre-assembly:

- Please read all instructions carefully before beginning assembling.
- It is recommended that assembly is done on a soft surface such as carpet to avoid any damage.
- We recommend adult assembly by two people for your safety.

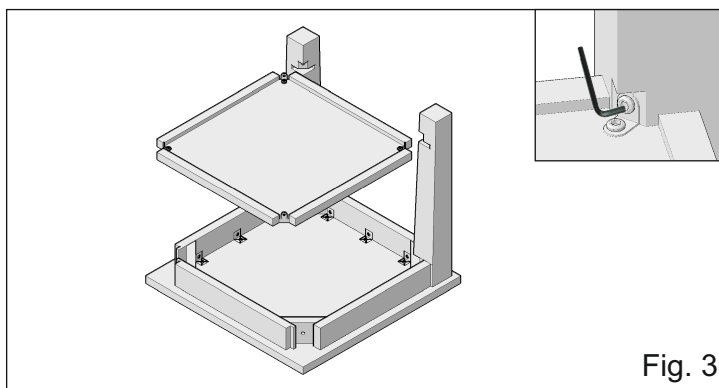
Step 1 : Turn table top upside down onto a clean carpet as shown in the (Fig. 1).



Step 2 : First Match Leg label on table top with the label ("A" with "A" and "B" with "B") as shown (Fig. 2).

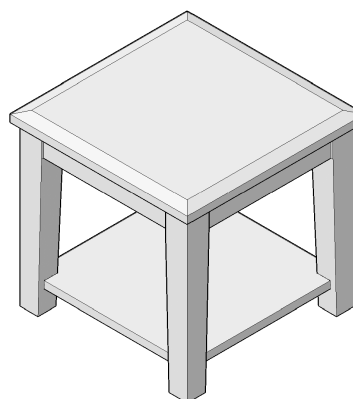
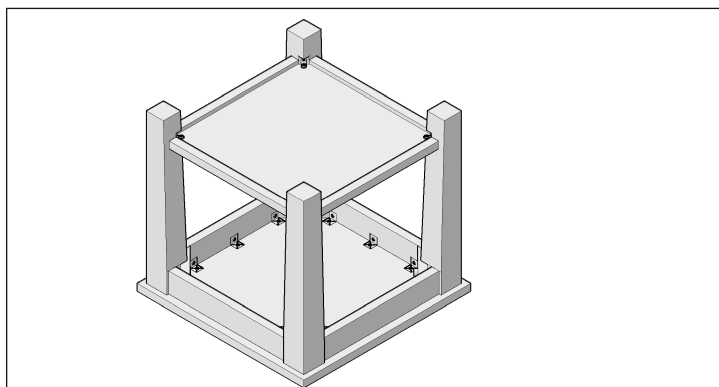
Step 3 : Put the washer on to a bolt and Insert into the corner leg, half tighten with the Allen key provided (Fig. 2).

Step 4 : Now put the shelf into the leg and insert bolt into the leg, half tighten with the Allen key provided as shown in (Fig.3)



Step 5 : Repeat this for remaining holes on the legs and tighten all bolts to fasten securely.

Step 6 : Turn the table in upright position after assembly as shown in (Fig 4).



## Care Information:

- Clean using a soft, dry cloth.
- Do not use harsh abrasives, chemicals or polishes containing silicone to as they can damage this finish.
- Avoid direct sunlight as this will cause the timber to change colour. • It is important to remove moist substances immediately.