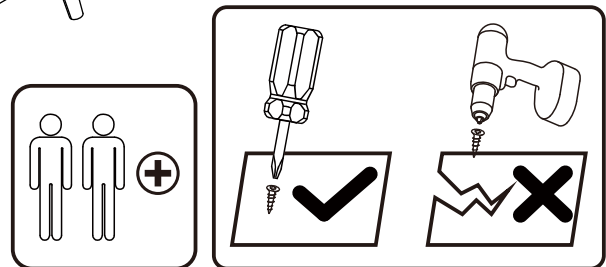
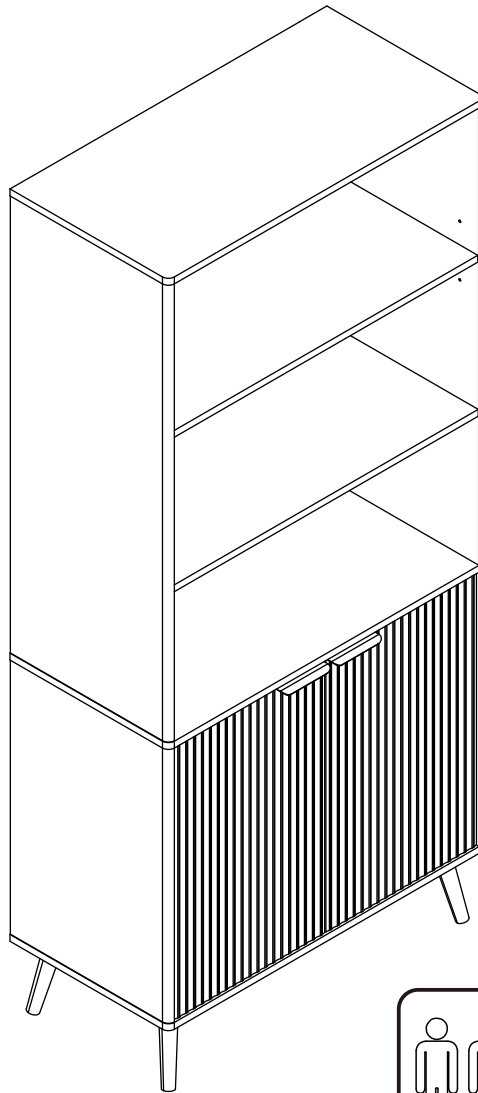


ASSEMBLY INSTRUCTIONS

Customer Service : cs@nbrehome.com



Tools Recommended

THIS INSTRUCTIONS CONTAINS IMPORTANT SAFETY INFORMATION.
PLEASE READ BEFORE ASSEMBLY AND KEEP FOR FUTURE REFERENCE.

Need Parts or Assistance? Email us : cs@nbrehome.com

IMPORTANT NOTICE

- This product contains small components, please ensure that they are kept away from small children.
- THIS INSTRUCTIONS CONTAINS IMPORTANT SAFETY INFORMATION. PLEASE READ BEFORE ASSEMBLY AND KEEP FOR FUTURE REFERENCE.
- Read each step carefully. It is very important that each step of instruction is performed in the correct order. If these steps are not followed in sequence, assembly difficulties will occur.
- Make sure all parts are included. Most parts are labelled or stamped on the raw edge.
- Work in spacious area, preferably on a carpet, near the place the unit will be used.
- Do not use power tools to assemble your furniture. Power tools may strip or damage the parts.
- Move your new furniture carefully, with two people lift and carry the unit to it's new location.
- Never push, drag or pull your furniture (especially on carpet)






PLEASE DO NOT RETURN PRODUCT TO US IMMEDIATELY

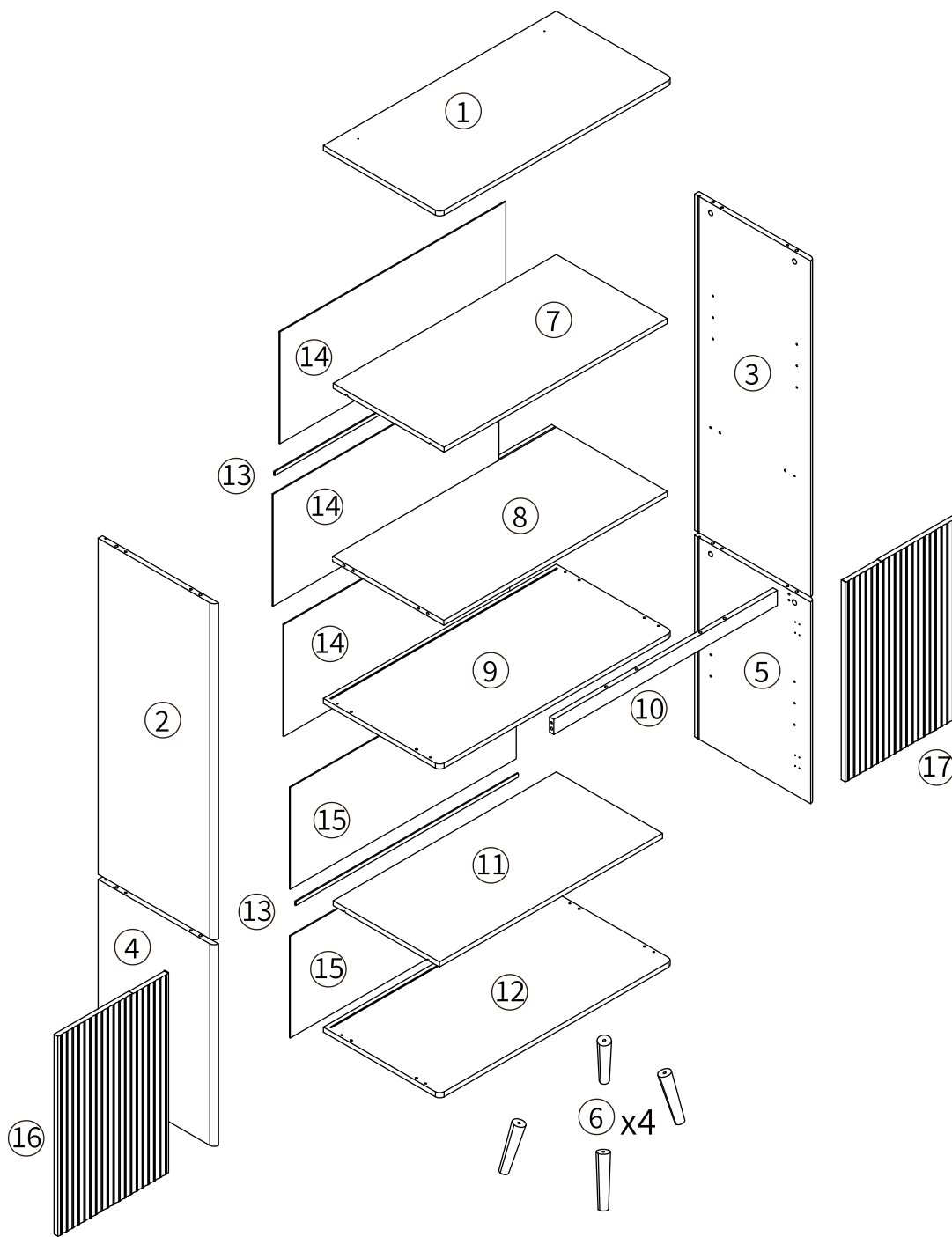
If a part is missing or damaged, email our customer service. We will gladly ship your replacement parts FREE of charge.













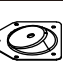







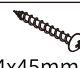
Need Parts or Assistance? Email us : cs@nbrehome.com

For Prompt, reliable service, please have your assemble instruction ready

 WARNING	
	Children have died from furniture tipover. To reduce the risk of furniture tipover: <ul style="list-style-type: none">- ALWAYS install Anti-tip device provided.- NEVER put a TV on this product.- NEVER allow children to stand, climb or hang on any drawers, doors, or shelves.- NEVER open more than one drawer at a time.- Place heaviest items in the lowest drawers.
	<p><i>This is a permanent label. Do not remove!</i></p>

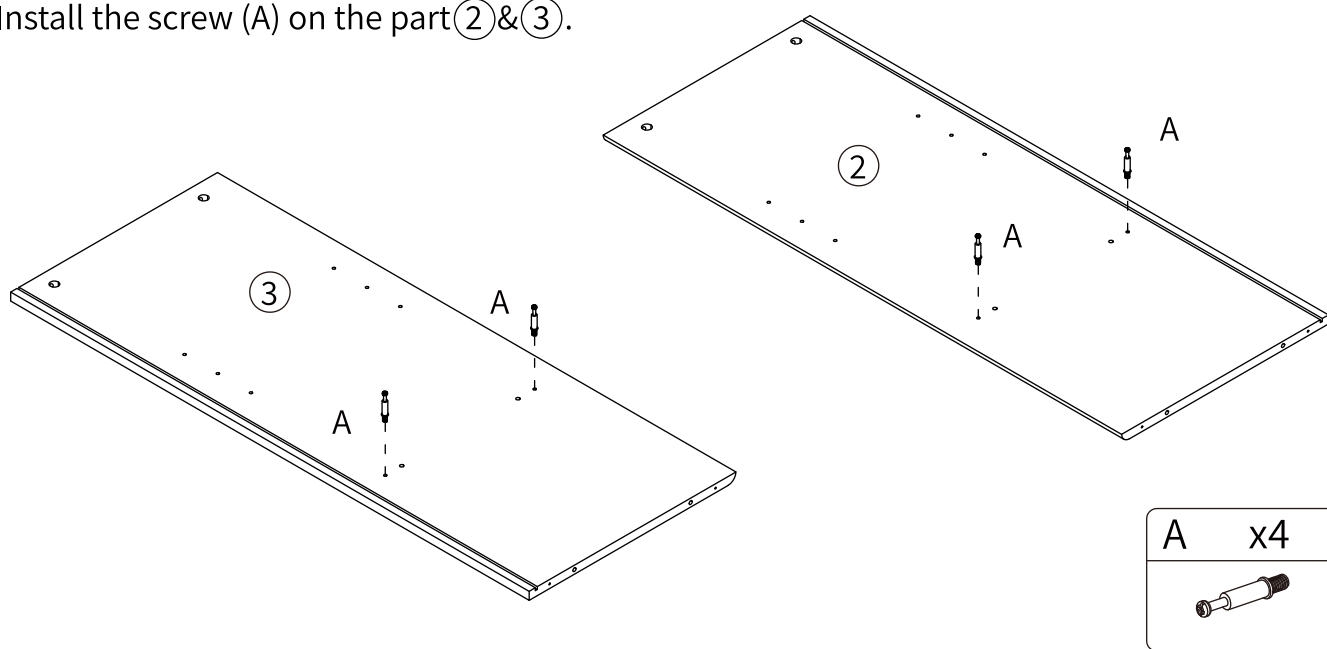
The installation direction should be aligned with the instructions to prevent plate breakage caused by product tipping during installation.



A x14  6x35mm	B x14  3x12mm	C x16  6x30mm	D x8  4x40mm	E x2  4x35mm	F x4  3x12mm	G x28  6x50mm
H x22  4x14mm	I x2  4x14mm	J x22  4x14mm	K x2  4x35mm	L x2  4x35mm	M x4  4x14mm	N x4  6x50mm
O x8  6x35mm	P x4  4x14mm	Q x24  4x14mm	R x2  4x14mm	S x2  4x14mm	T x4  4x14mm	U x2  4x45mm

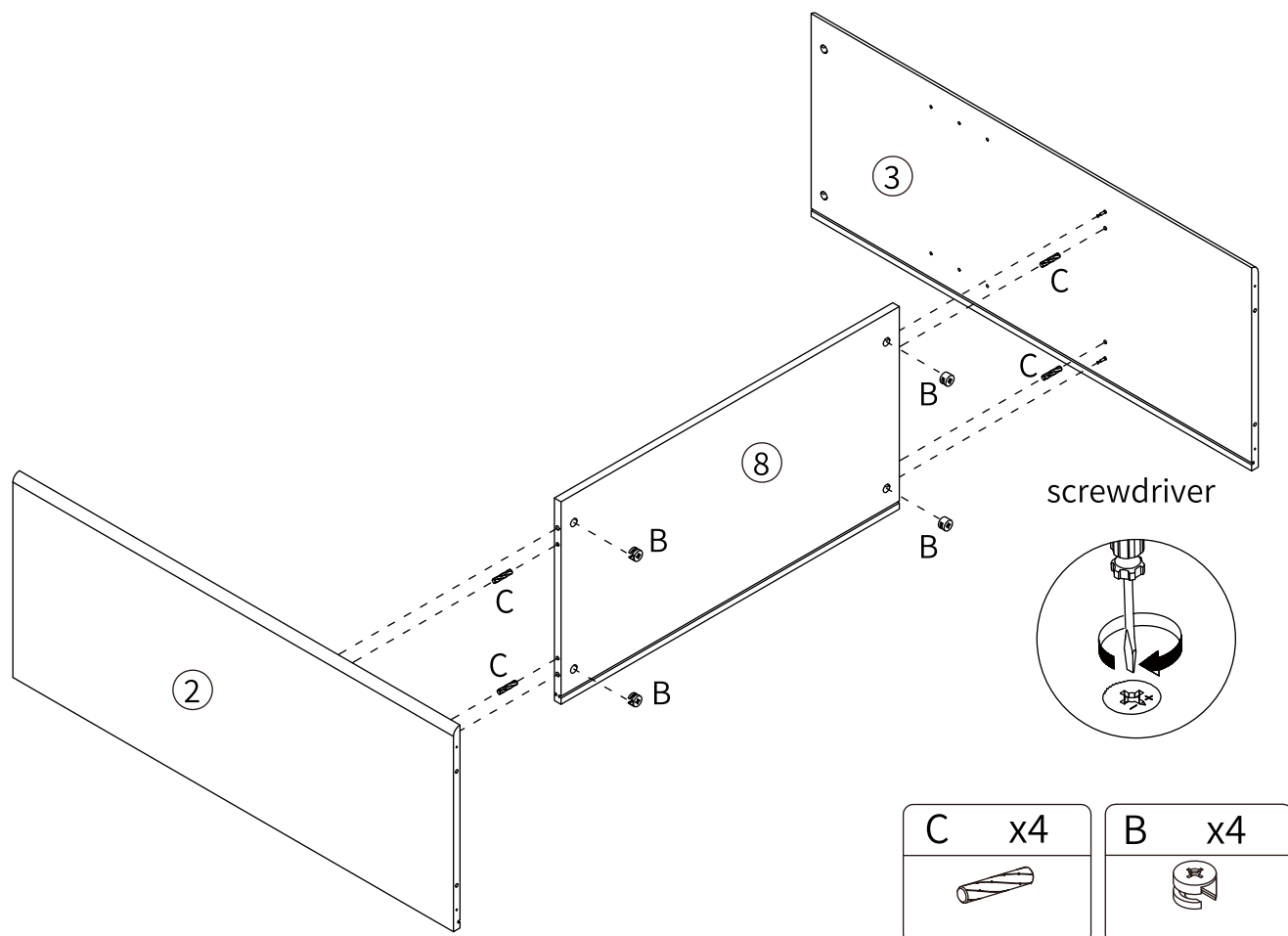
Step 1

Install the screw (A) on the part ②&③.



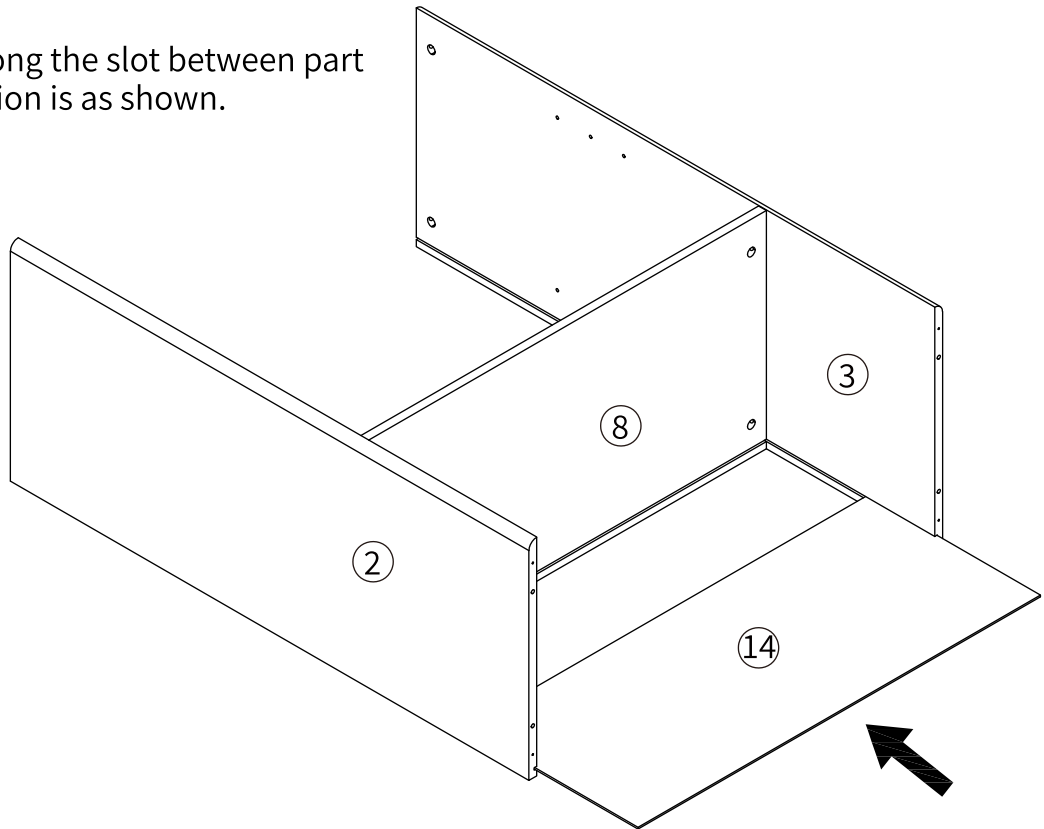
Step 2

Firstly insert the dowel (C) on part ⑧, connect part ⑧ to part ②&③ with cam lock (B), insert cam lock (B) into the corresponding holes on part ⑧ and use a screwdriver to turn it clockwise to tighten, the installation position is as shown.



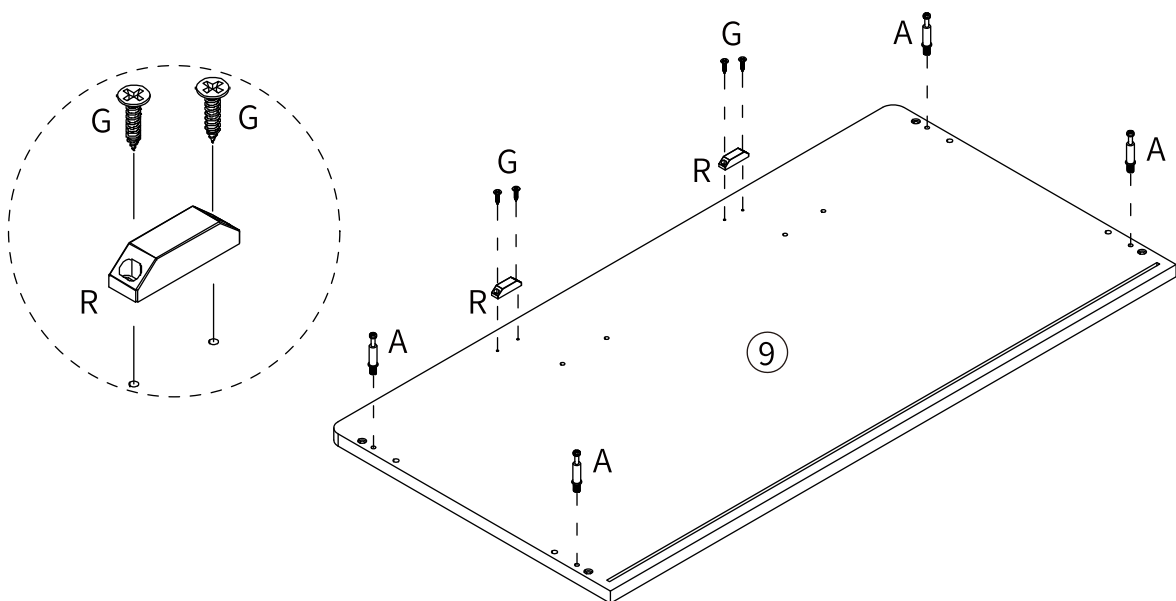
Step 3




Insert part 14 along the slot between part ②&③, the position is as shown.



Step 4

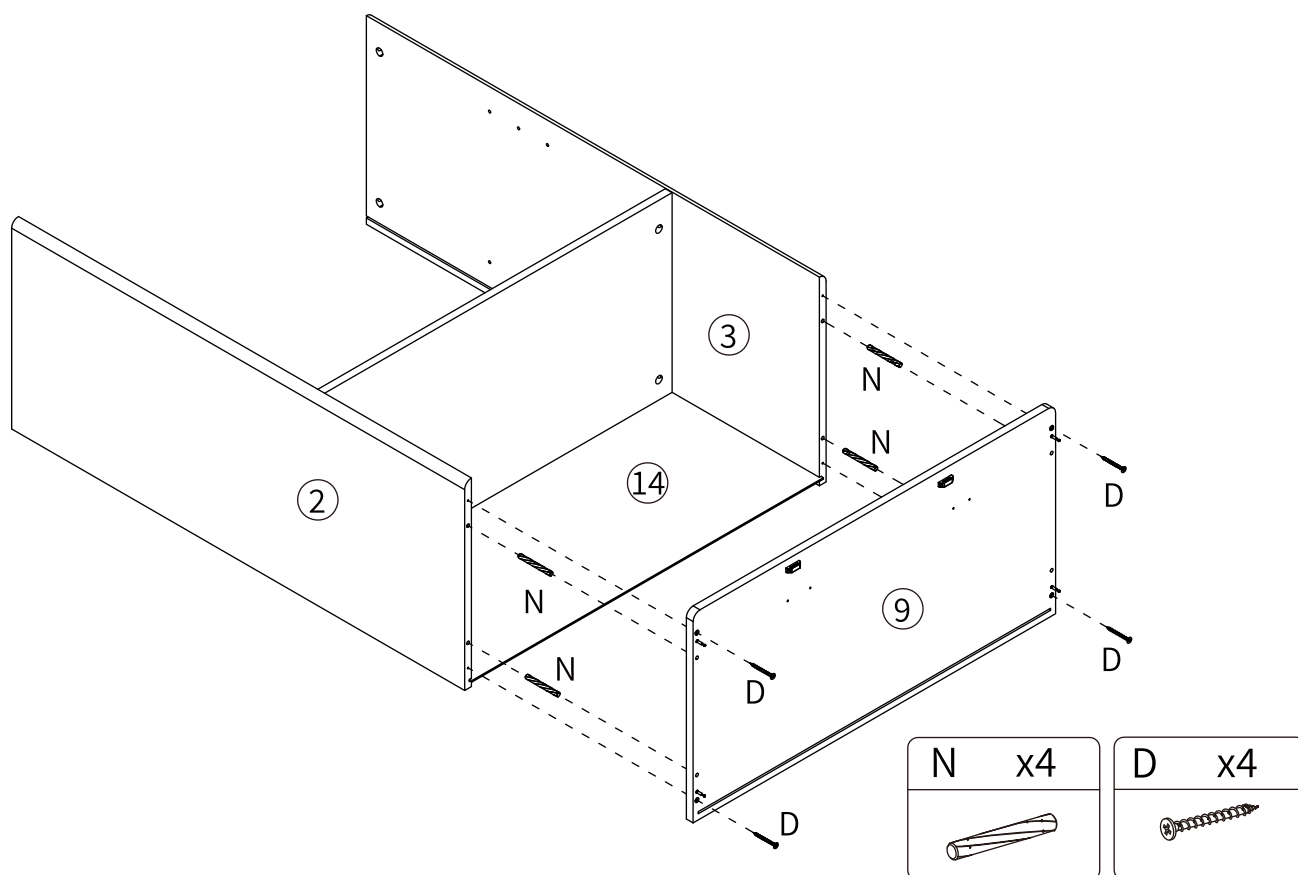
Install screw (A) on part ⑨, then connect magnet (R) to part ⑨ with screw (G), the installation position is as shown.



G	x4	R	x2	A	x4
					

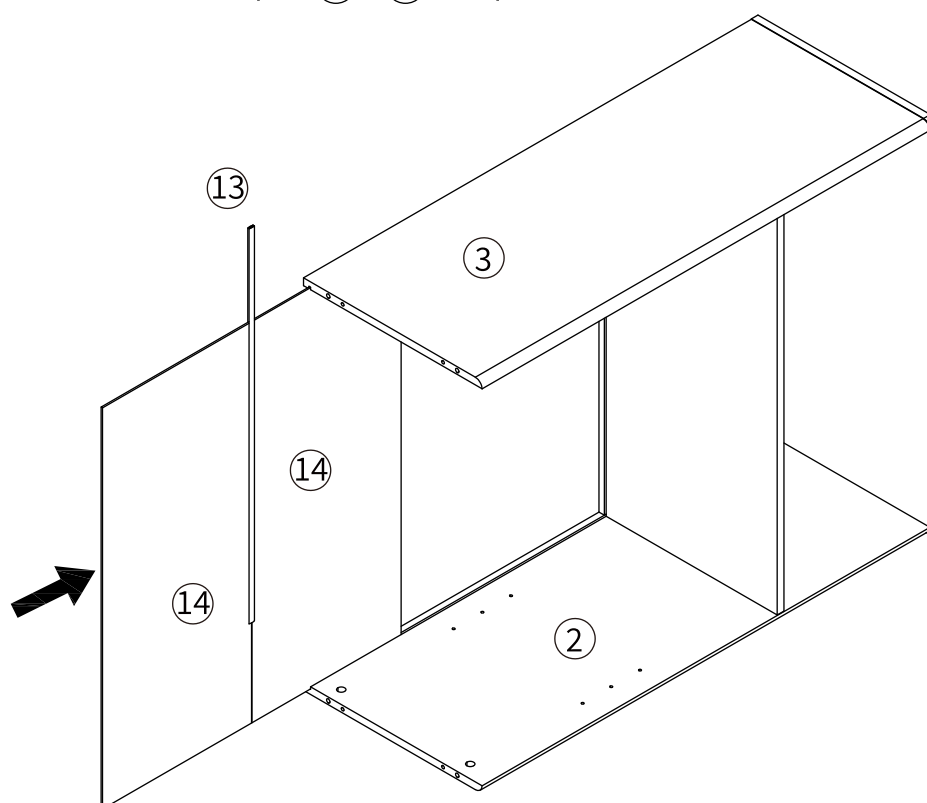
Step 5

Firstly insert the dowel (N) on part ② & ③, then connect parts ② & ③ to part ⑨ with screw (D), the installation position is as shown.



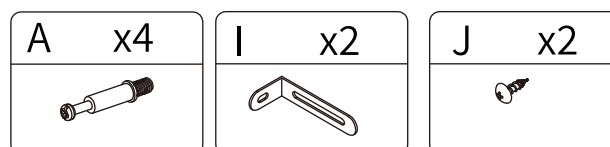
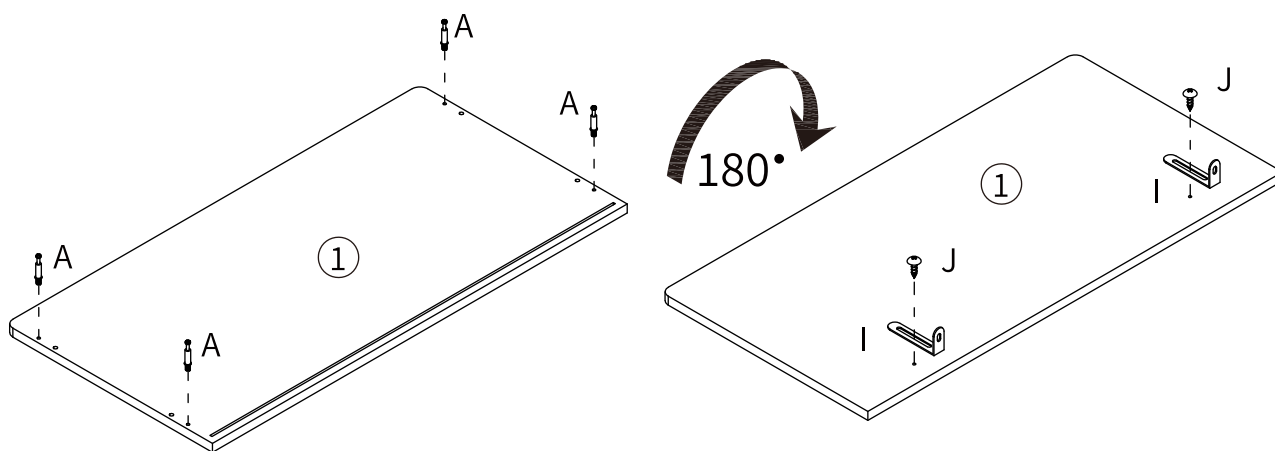
Step 6

Connect part ⑭ (X2) with part ⑬, insert part ⑭ (X2) along the slot between part ② & ③, the position is as shown.



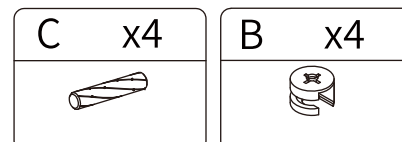
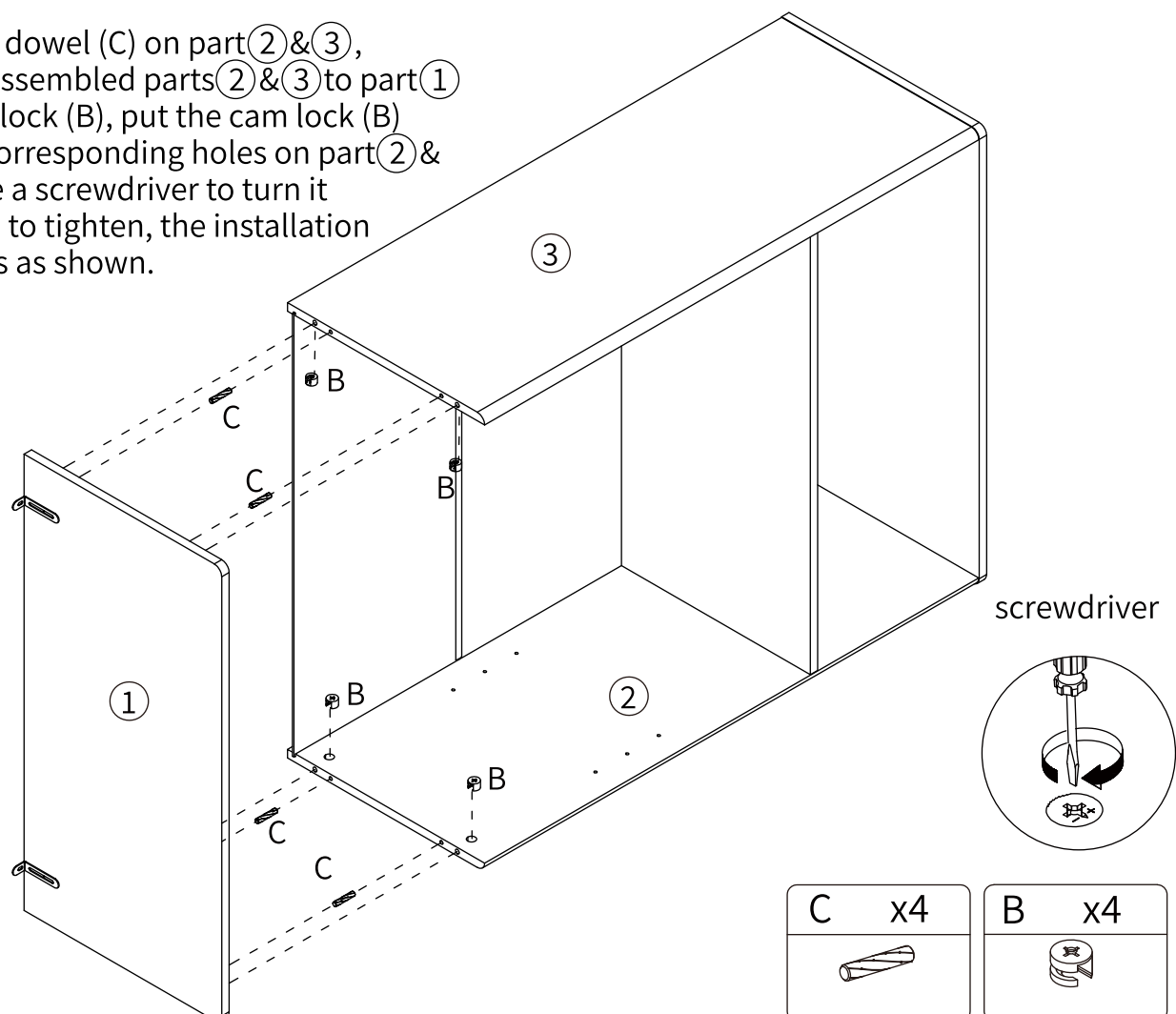
Step 7

Install the screw (A) on the part ①, then turn part ① in 180 degrees, fasten the L-shaped iron piece (I) with screw (J) on part ①, the installation position is as shown.



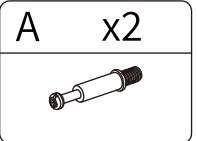
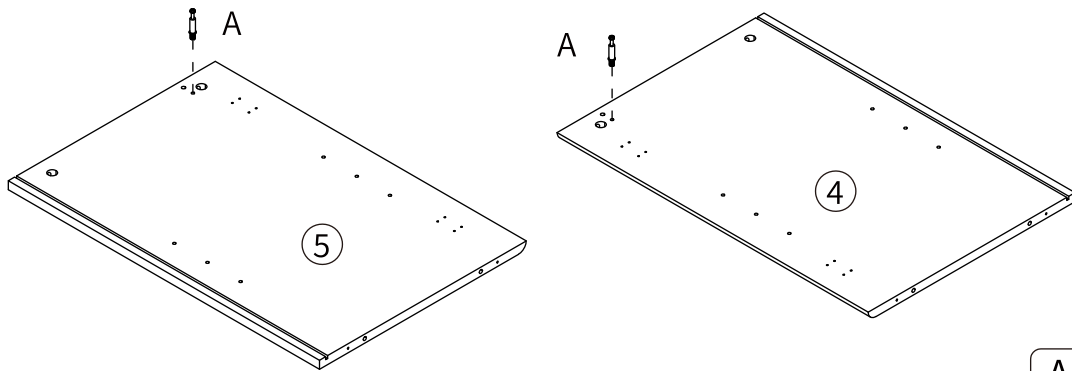
Step 8

Insert the dowel (C) on part ② & ③, connect assembled parts ② & ③ to part ① with cam lock (B), put the cam lock (B) into the corresponding holes on part ② & ③ and use a screwdriver to turn it clockwise to tighten, the installation position is as shown.



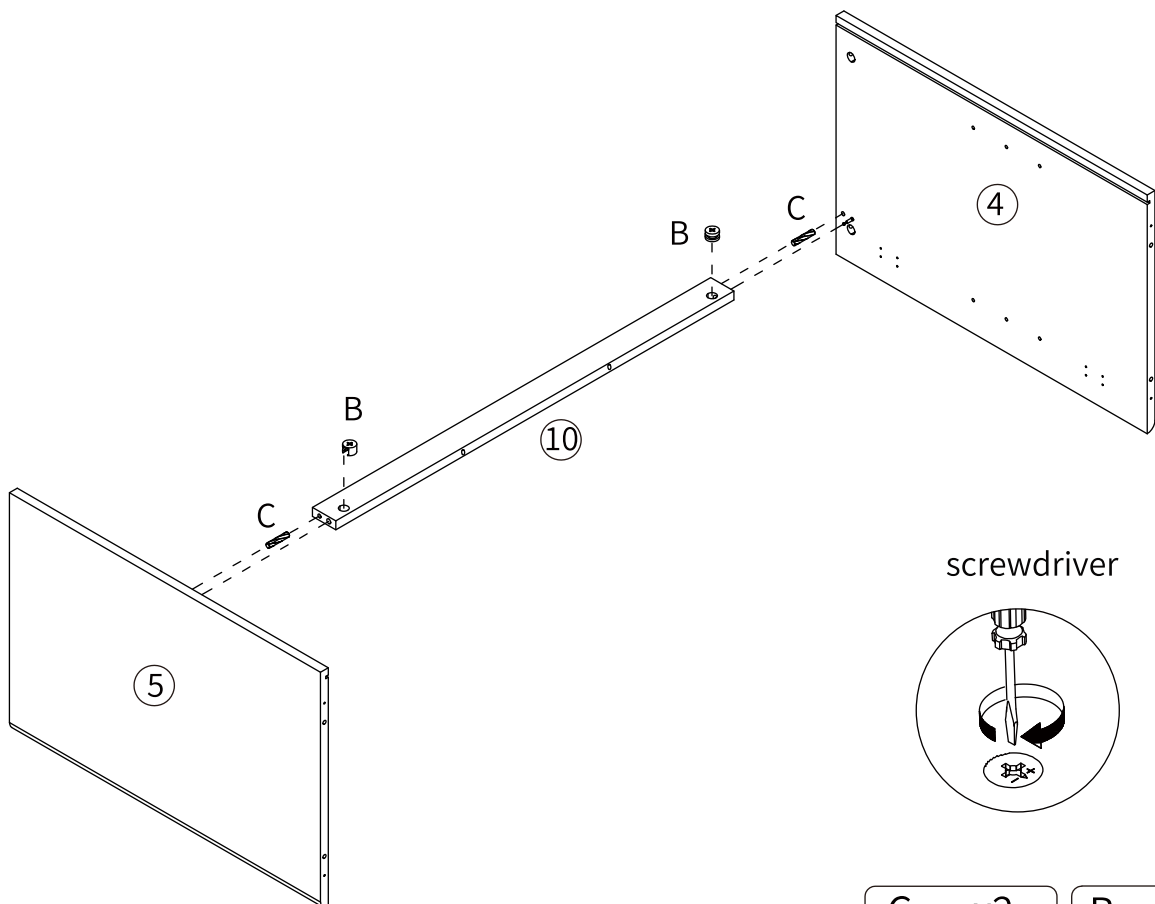
Step 9

Install the screw (A) on the part ④&⑤.

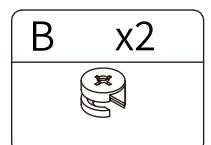
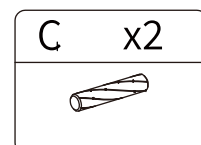


Step 10

Firstly insert the dowel (C) on part ⑩, connect part ⑩ to part ④&⑤ with cam lock (B), insert cam lock (B) into the corresponding holes on part ⑩ and use a screwdriver to turn it clockwise to tighten, the installation position is as shown.

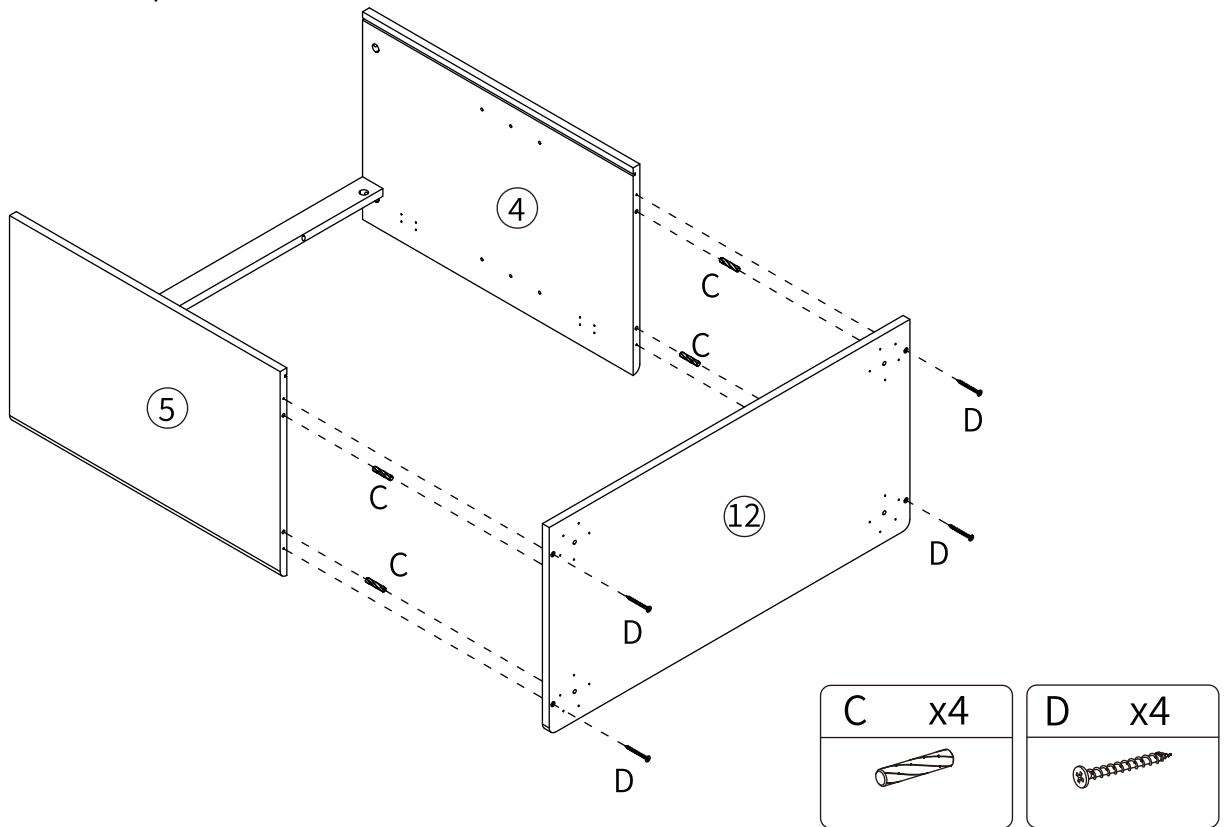


screwdriver



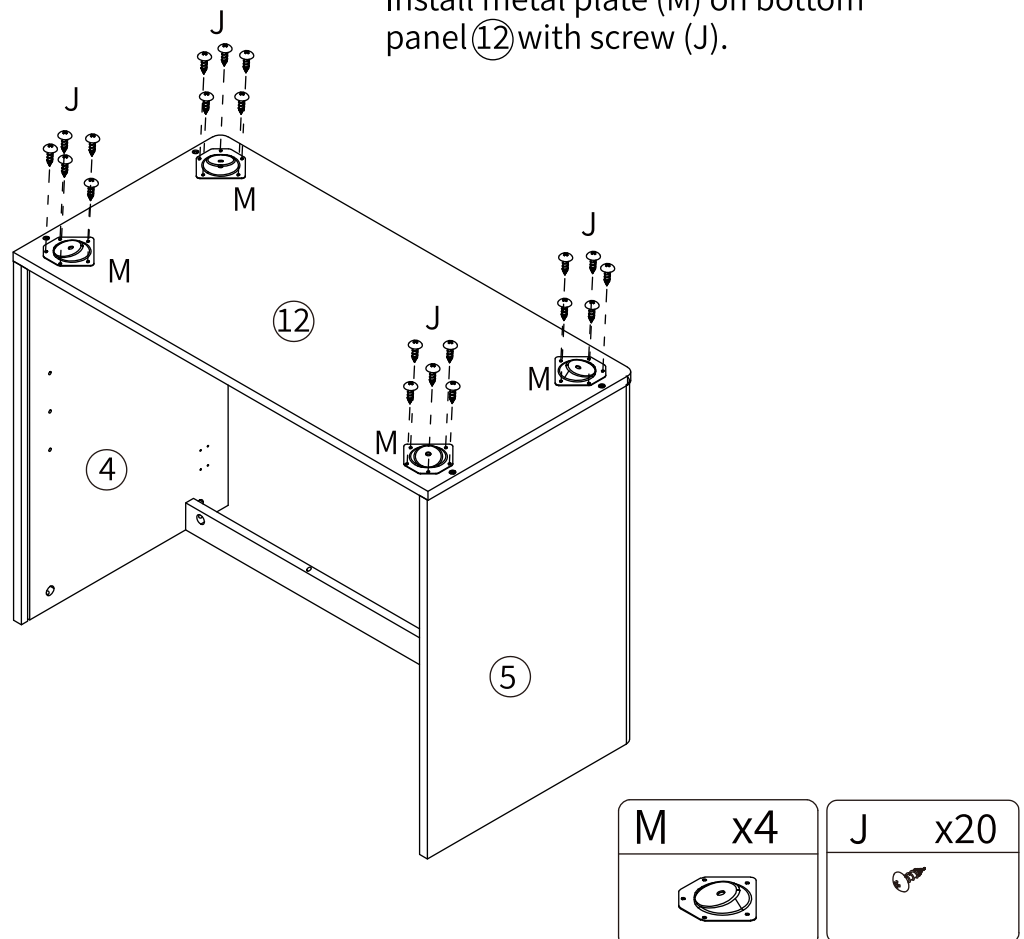
Step 11

Firstly insert the dowel (C) on part ④&⑤, then connect parts ④&⑤ to part ⑫ with screw (D), the installation position is as shown.



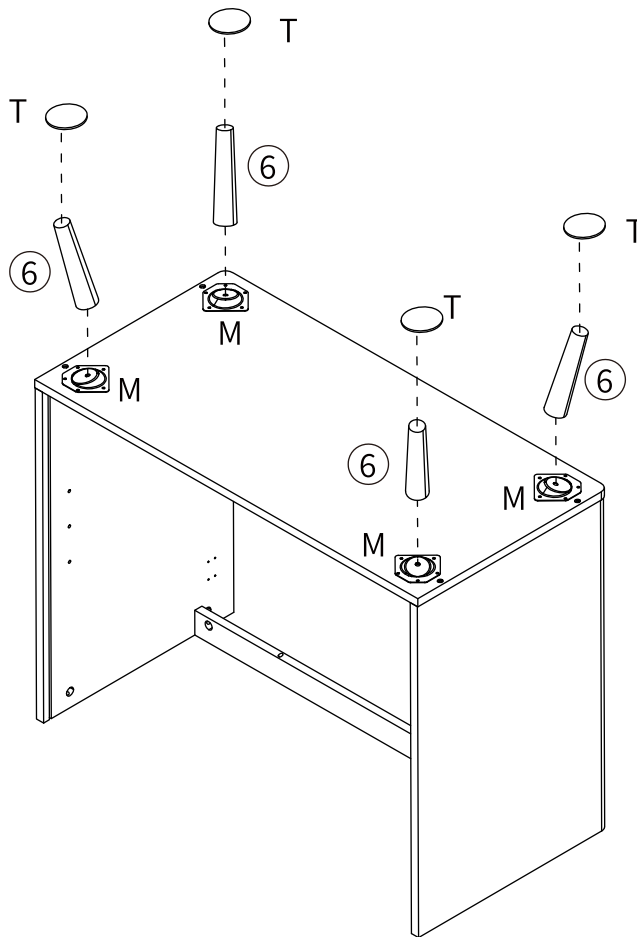
Step 12

Install metal plate (M) on bottom panel ⑫ with screw (J).



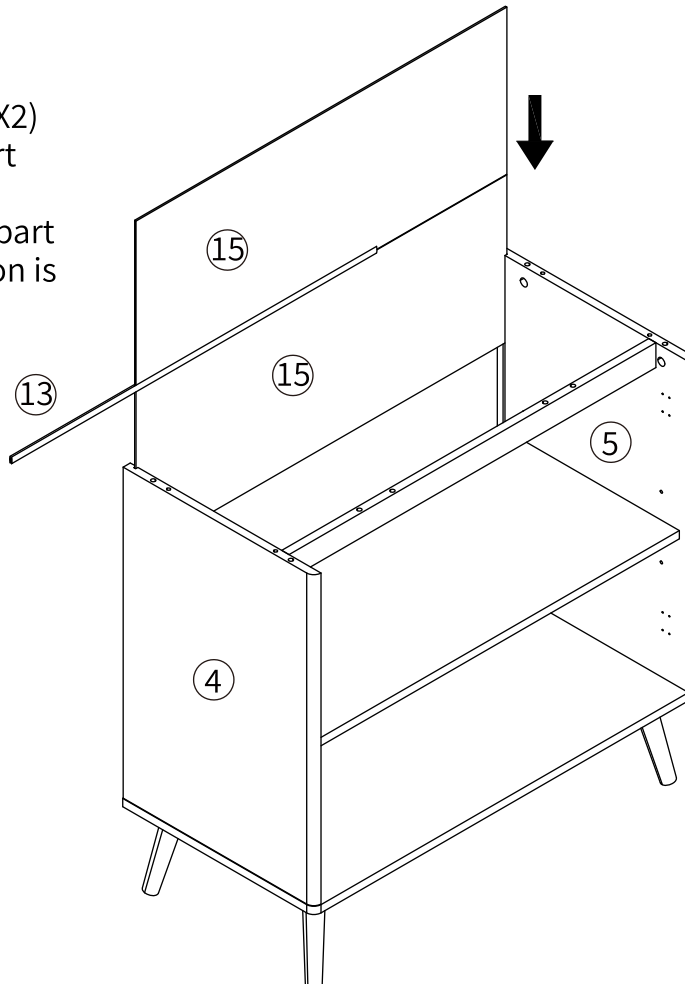
Step 13

Firstly attach leg cap (T) to wooden feet part ⑥, then connect wooden feet part ⑥ to metal plate (M) in clockwise direction to tighten, the installation position is as shown.



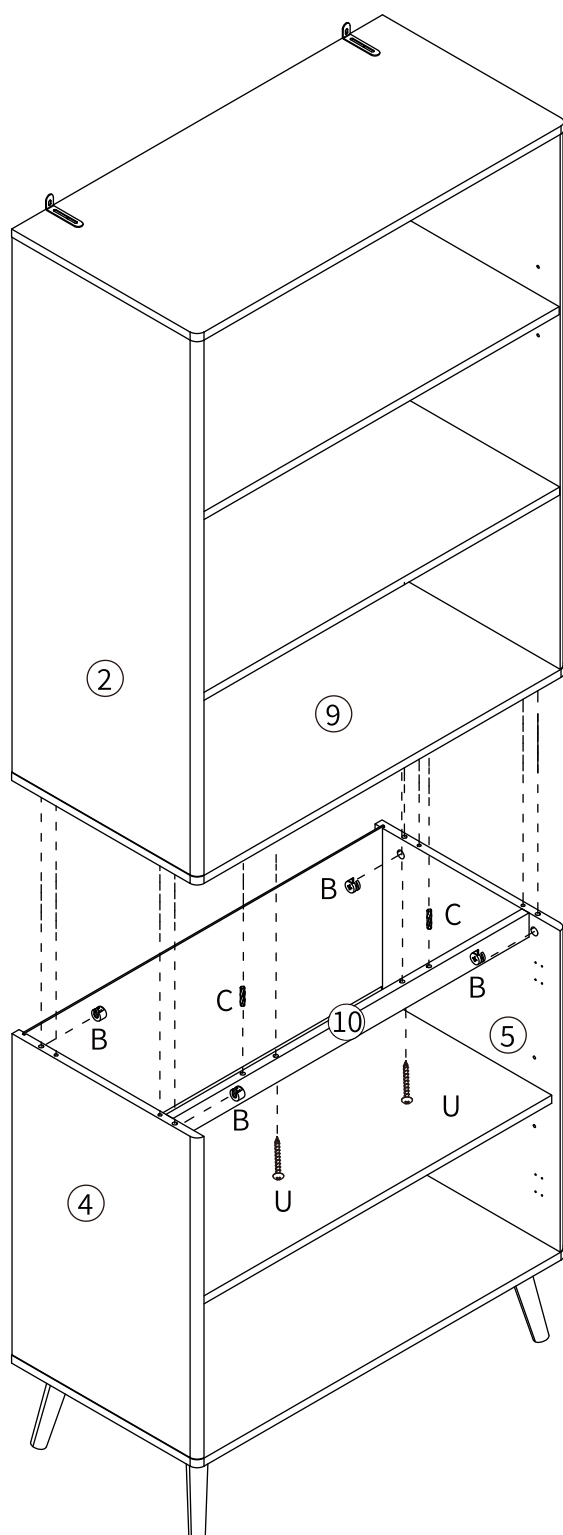
Step 14

Connect part ⑮ (X2) with part ⑬, insert part ⑮ (X2) along the slot between part ④ & ⑤, the position is as shown.

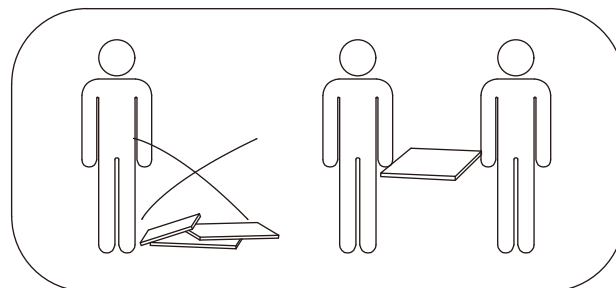
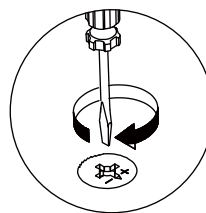


Step 15

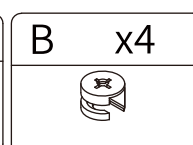
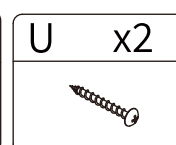
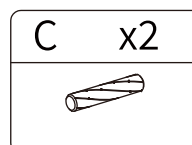
Insert the dowel (C) on part ⑩, connect assembled upper parts ⑨ to down parts ④ & ⑤ with cam lock (B), put the cam lock (B) into the corresponding holes on part ④ & ⑤ and use a screwdriver to turn it clockwise to tighten. Connect part ⑩ to upper assembled parts ⑨ with screw (U), the installation position is as shown.



screwdriver

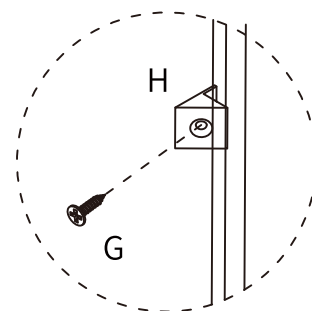
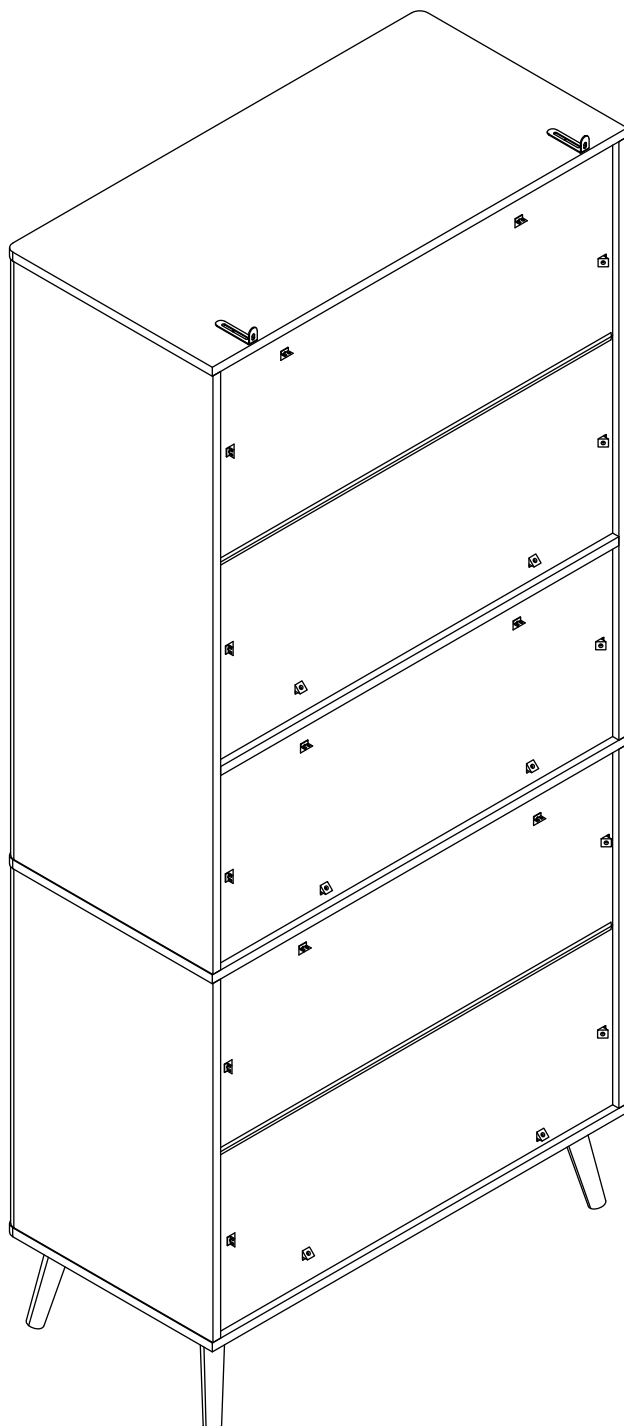




It is recommended to have two people to flip the cabinets and installation breakage is not a product quality issue.



Step 16

Use the screws in component (G), (H) to fasten the back plate buckle. The installation position is as shown.



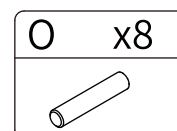
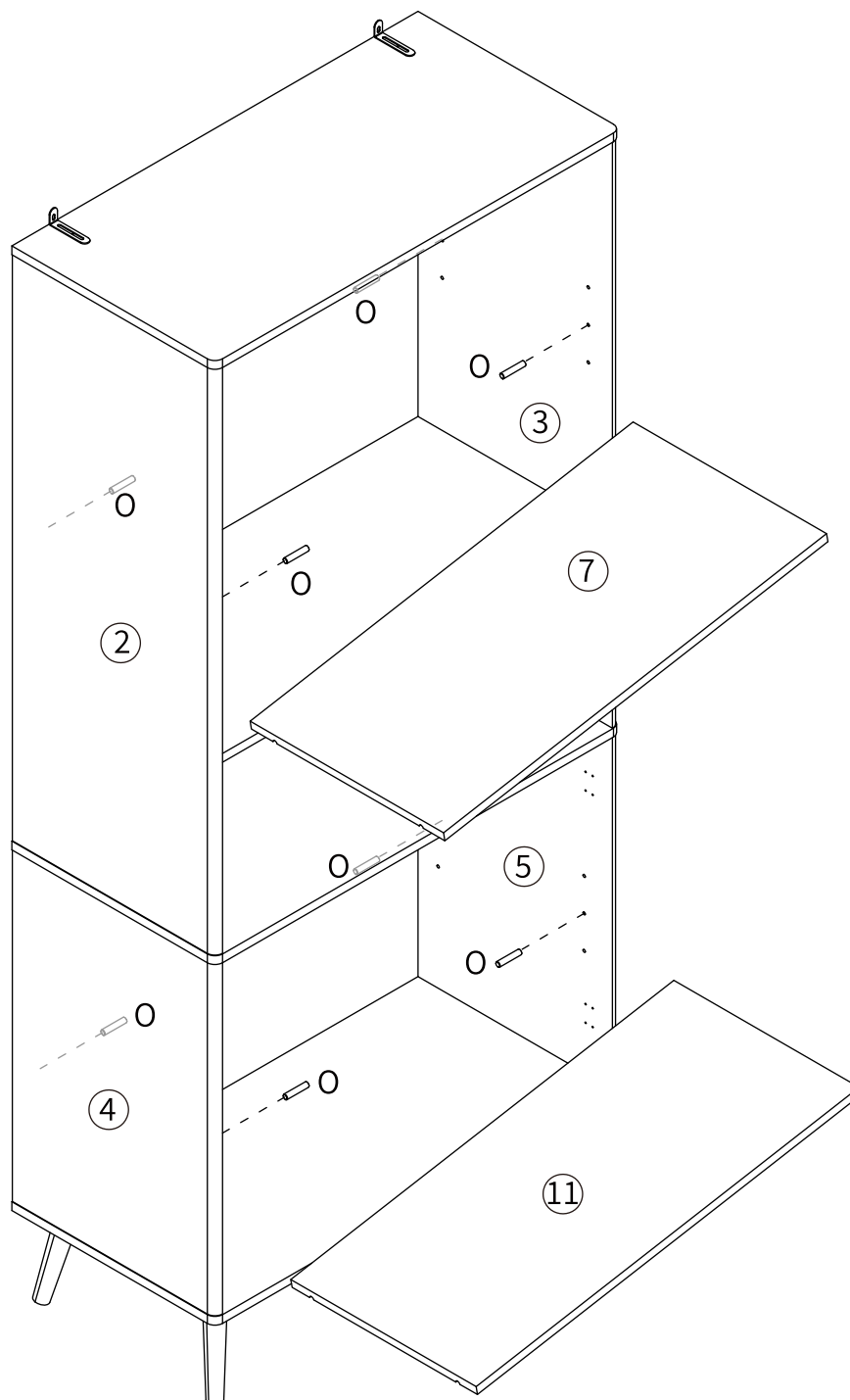
G	x22	H	x22
			

Step 17

Insert the shelf supporting (O) into corresponding holes on part ② & ③, then put part ⑦ on the (O).

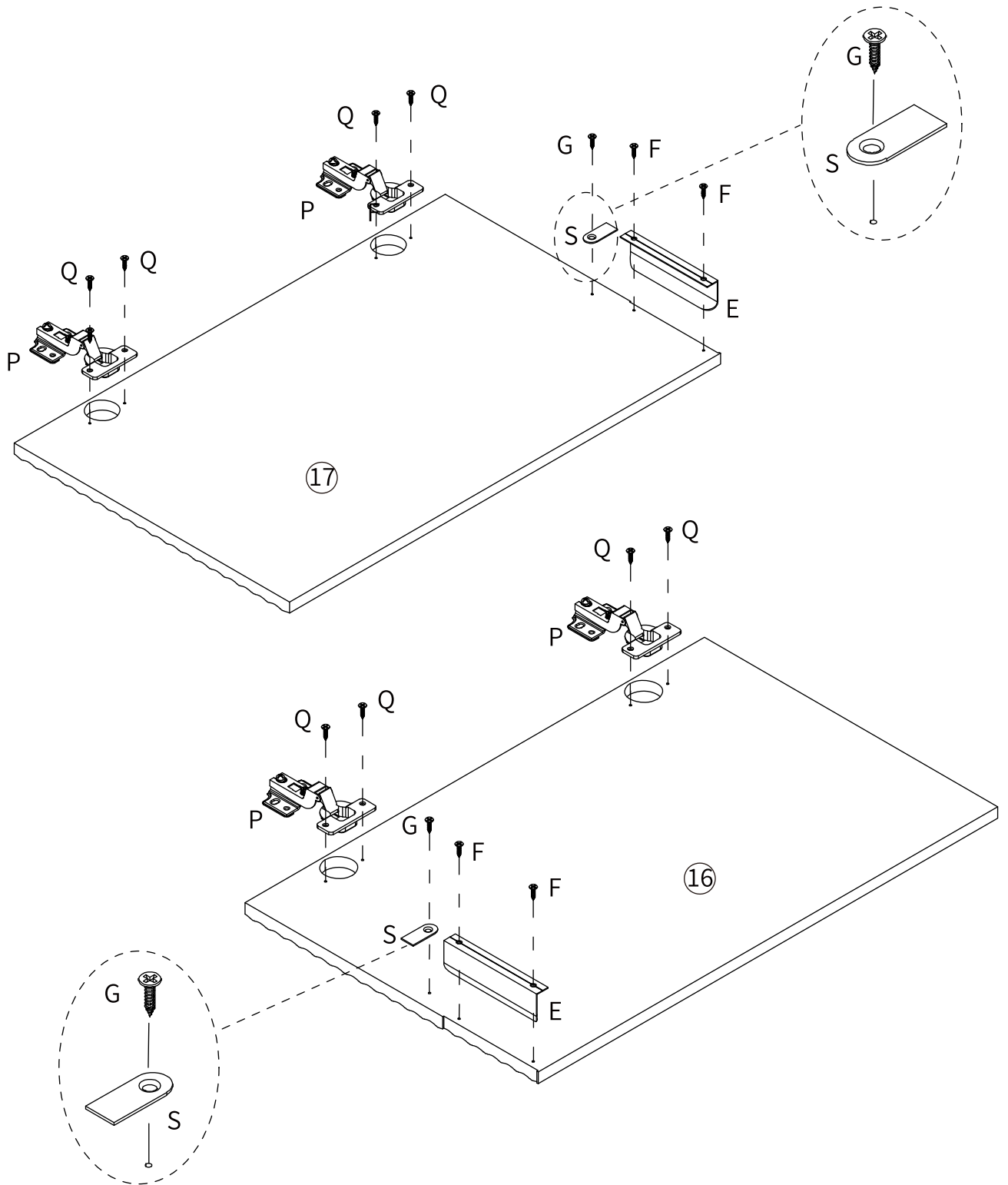
Insert the shelf supporting (O) into corresponding holes on part ④ & ⑤, then put part ⑪ on the (O).







The installation position is as shown.



Step 18

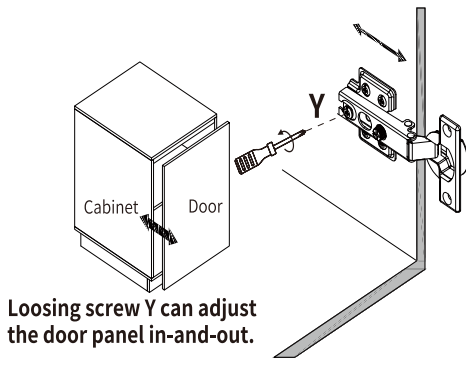
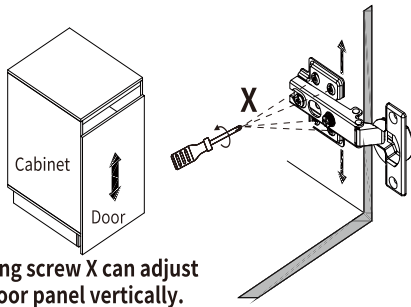
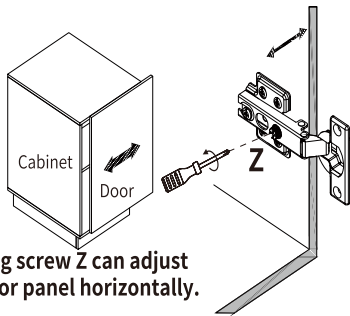
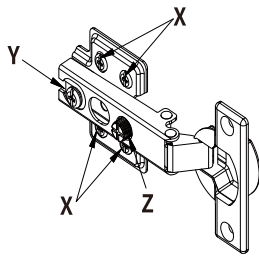
Install (S) on part ①⑥ & ①⑦ with screw (G), install hinge (P) on part ①⑥ & ①⑦ with screw (Q), use the screw (F) to lock the handle (E), the installation position is as shown.



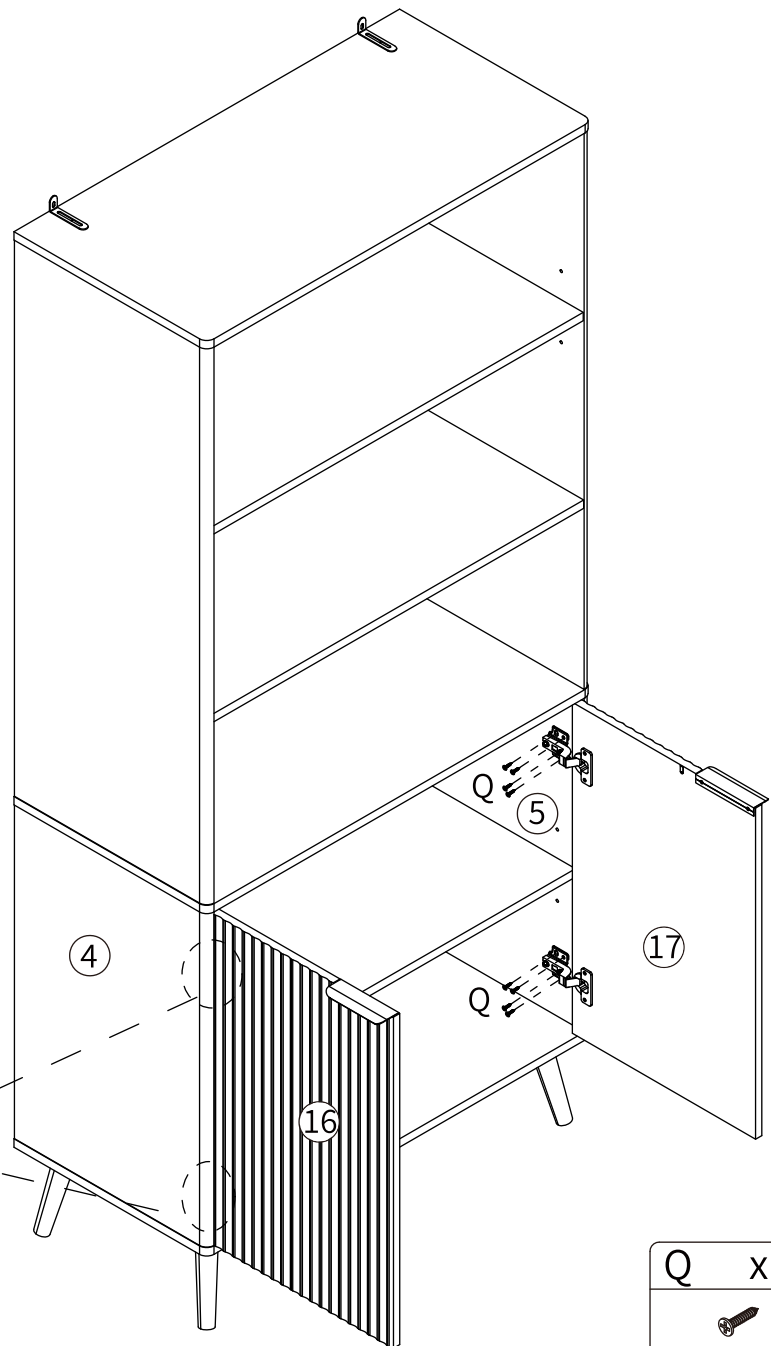
S x2	G x2	P x4	Q x8	E x2	F x4
					


Step 19

Hinges Adjustment Tips



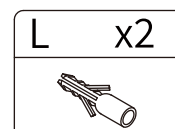
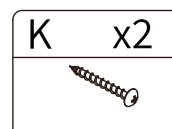
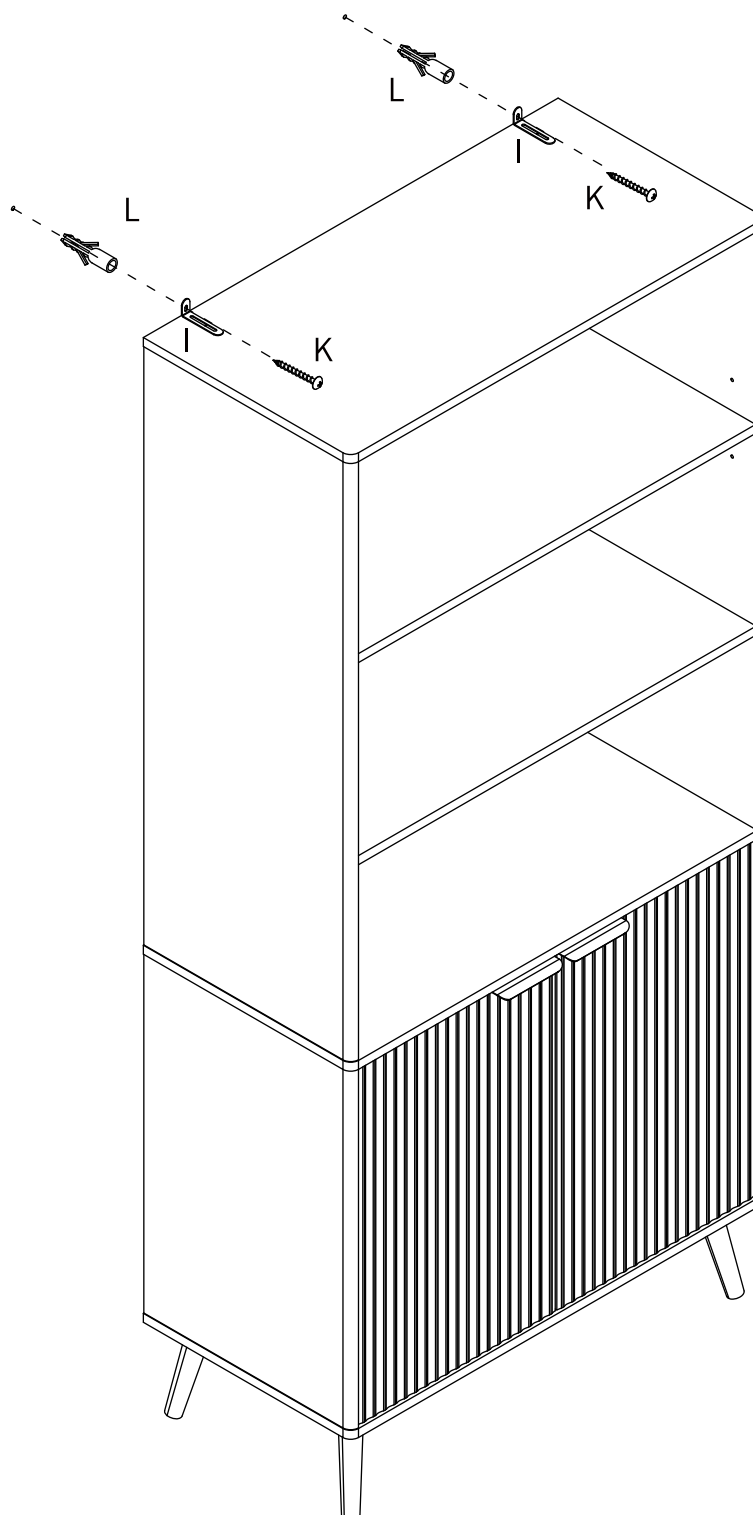
Connect hinge (P) on part ①⑥ to part ④ with screw (Q), connect hinge (P) on part ①⑦ to part ⑤ with screw (Q).



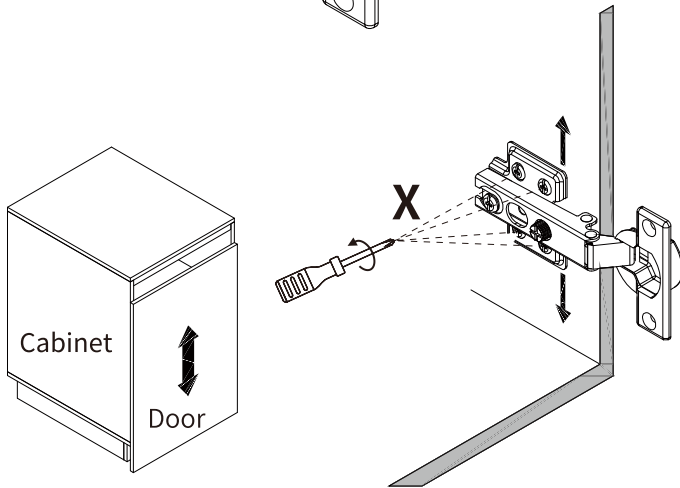
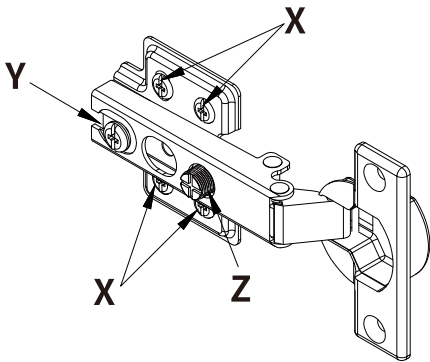
Q x16


Step 20

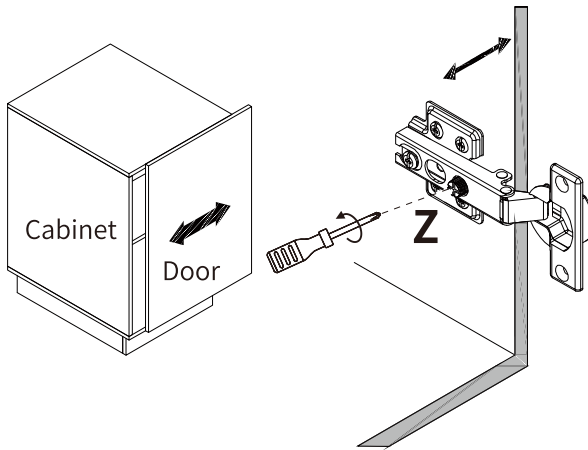
First drill holes on the wall where it is placed, then use expansion screw (L) to fix the cabinet with screw (K). The installation location is as shown.



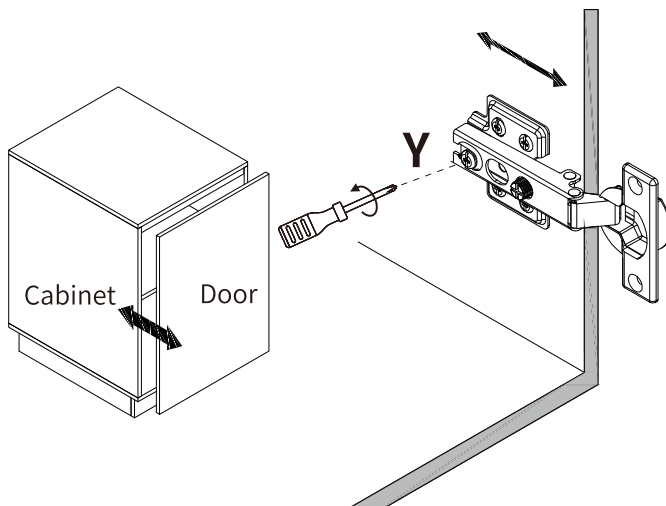
Hinges Adjustment Tips



Loosening screw X can adjust the door panel vertically.



Loosening screw Z can adjust the door panel horizontally.



Loosening screw Y can adjust the door panel in-and-out.