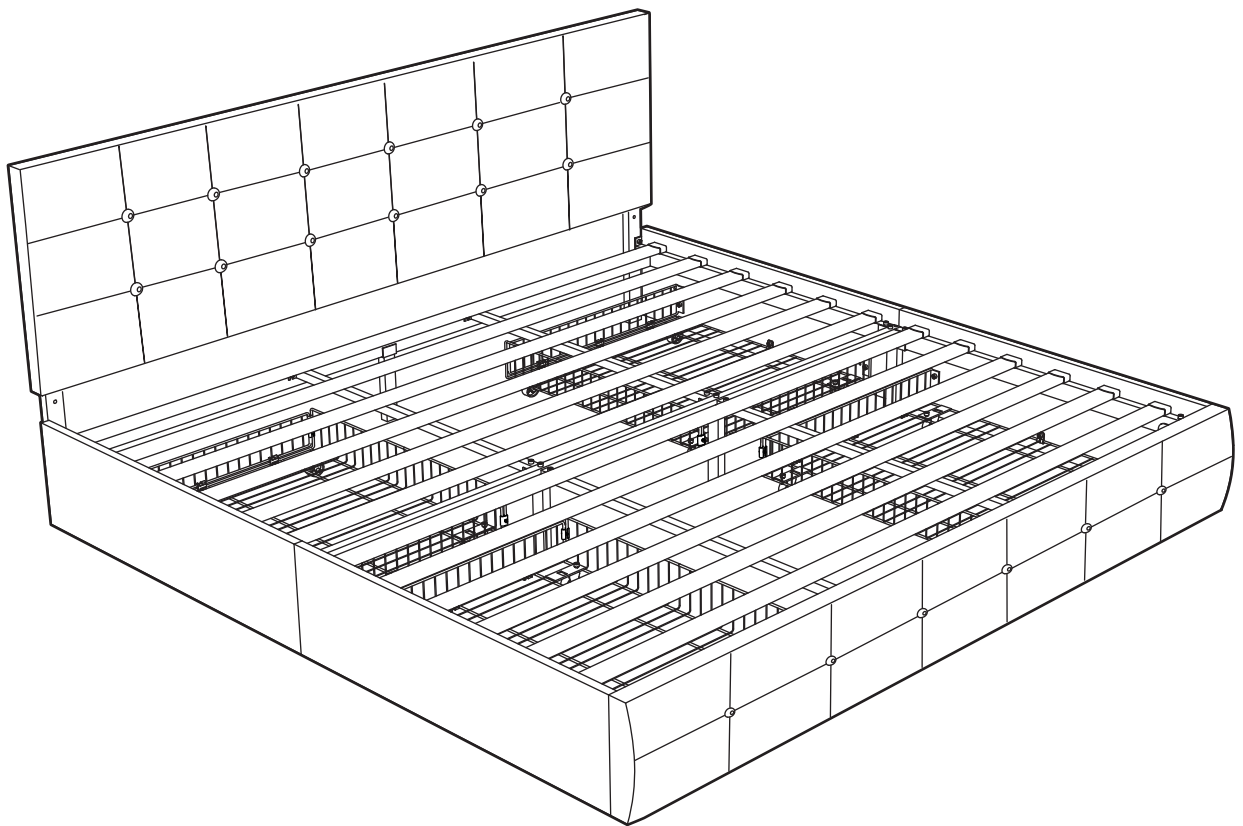


PLATFORM BED

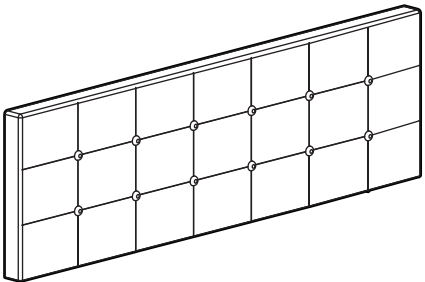
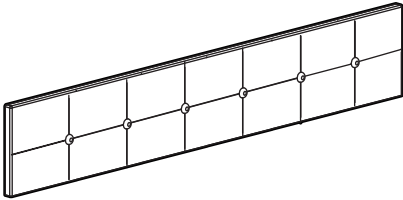


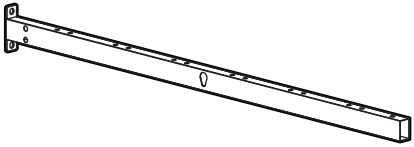
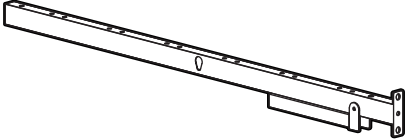
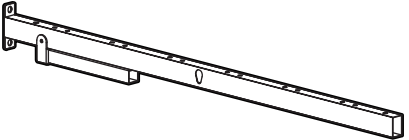
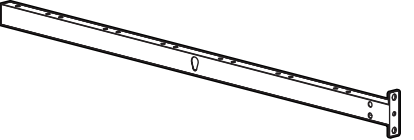

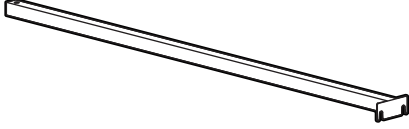
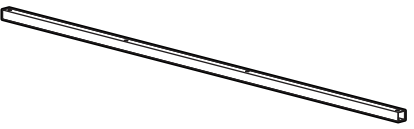
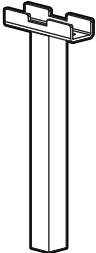
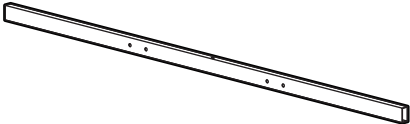

ORIGINAL INSTRUCTION MANUAL

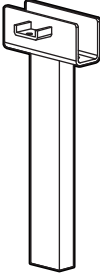
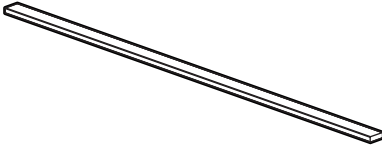
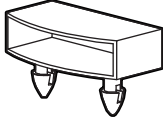
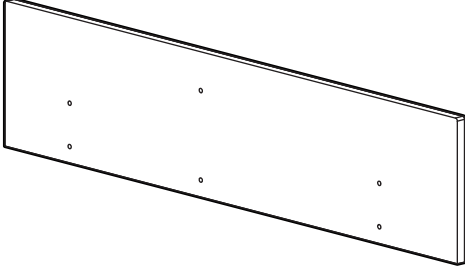
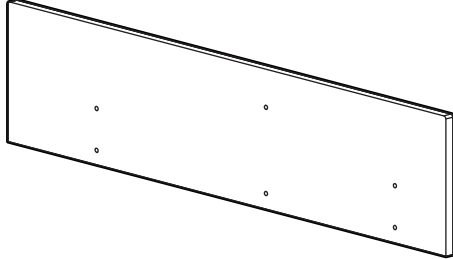
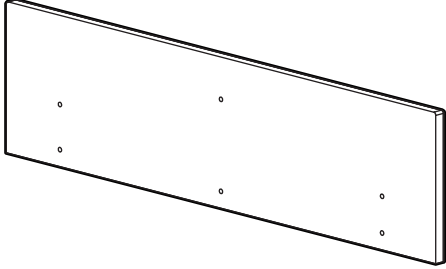
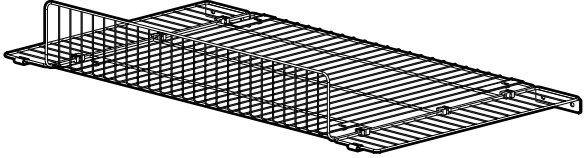

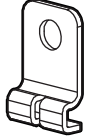
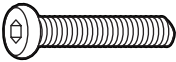
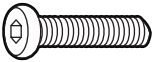
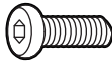
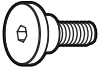
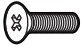

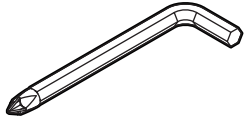


DEAR CUSTOMER,

Thank you for choosing our product. Please read this manual carefully before assembling or using the product, to avoid damage caused by improper use. If the product is passed on to third parties, this manual has to be passed on along with the product. For any question don't hesitate to contact us.

PARTS LIST

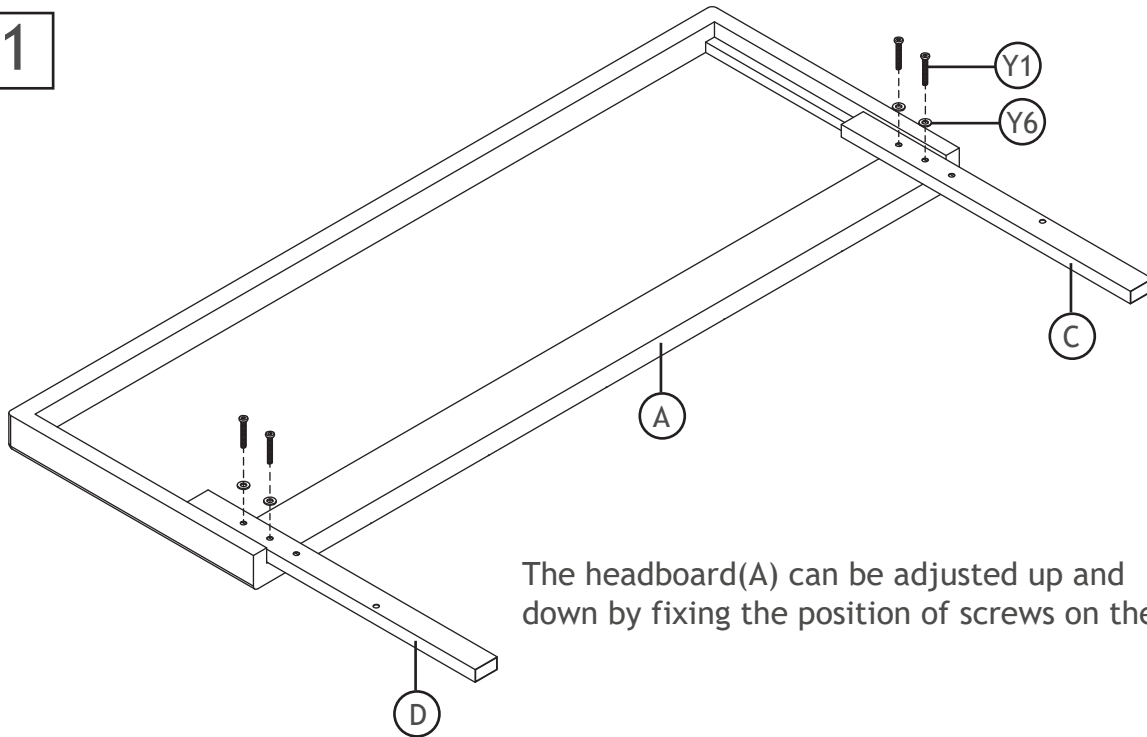
A  1×	B  1×	
C  1×	D  1×	E  1×
F  1×	G  1×	H  1×
I3  2×	J  2×	K  1×
L  2×	M  1×	N  1×

<p>O</p>  <p>2×</p>	<p>P</p>  <p>12×</p>	<p>Q</p>  <p>24×</p>	
<p>R</p>  <p>1×</p>	<p>S</p>  <p>1×</p>		
<p>T</p>  <p>2×</p>	<p>U</p>  <p>4×</p>		
<p>V</p>  <p>16×</p>	<p>X</p>  <p>4×</p>		
<p>Y1</p>  <p>15×</p> <p>M8×50mm</p>	<p>Y2</p>  <p>10×</p> <p>M8×40mm</p>	<p>Y3</p>  <p>36×</p> <p>M8×18mm</p>	
<p>Y4</p>  <p>4×</p> <p>M8×13mm</p>	<p>Y5</p>  <p>24×</p> <p>M5×10mm</p>	<p>Y6</p>  <p>6×</p> <p>Φ22mm</p>	<p>Y7</p>  <p>1×</p>

ASSEMBLY

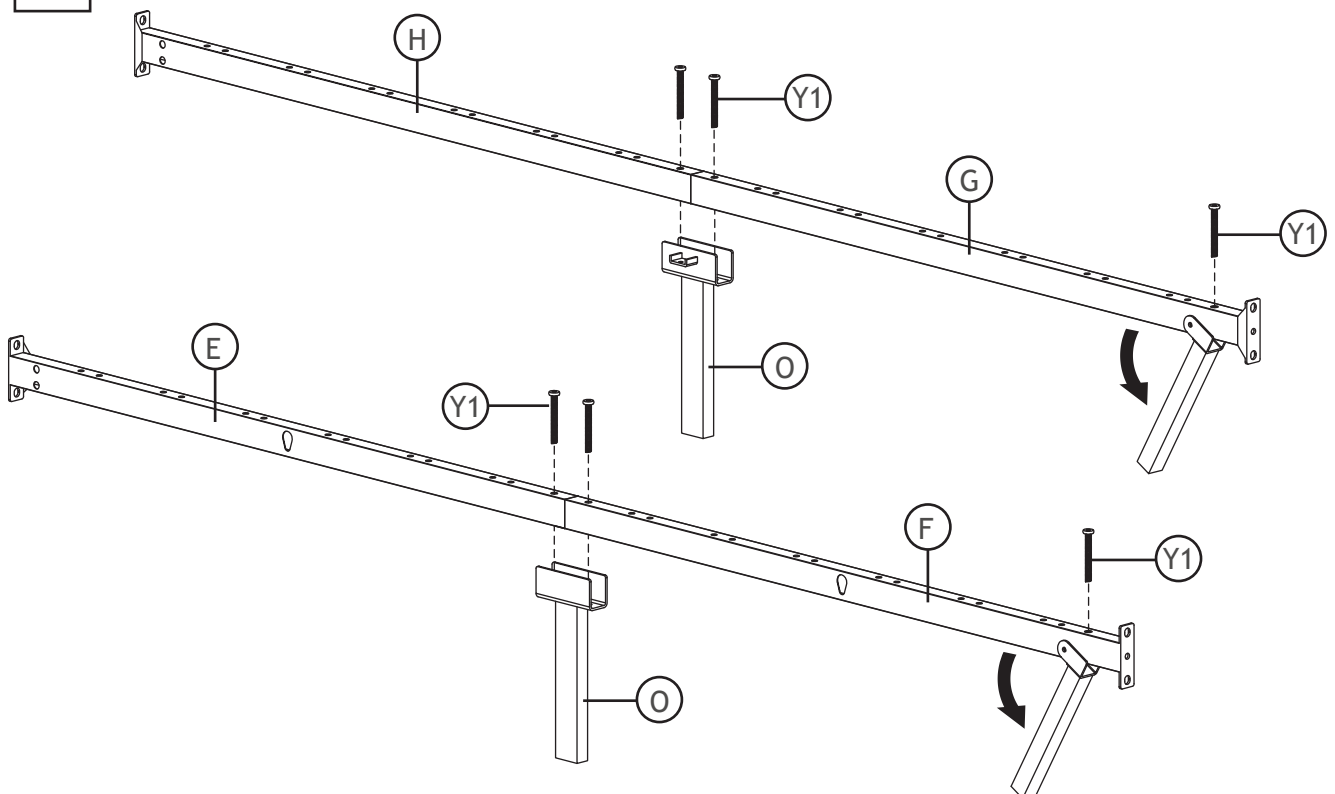
Before your installation, please make sure that you have all the parts listed on the manual. If you find something missing, stop installing and contact your supplier immediately.

1

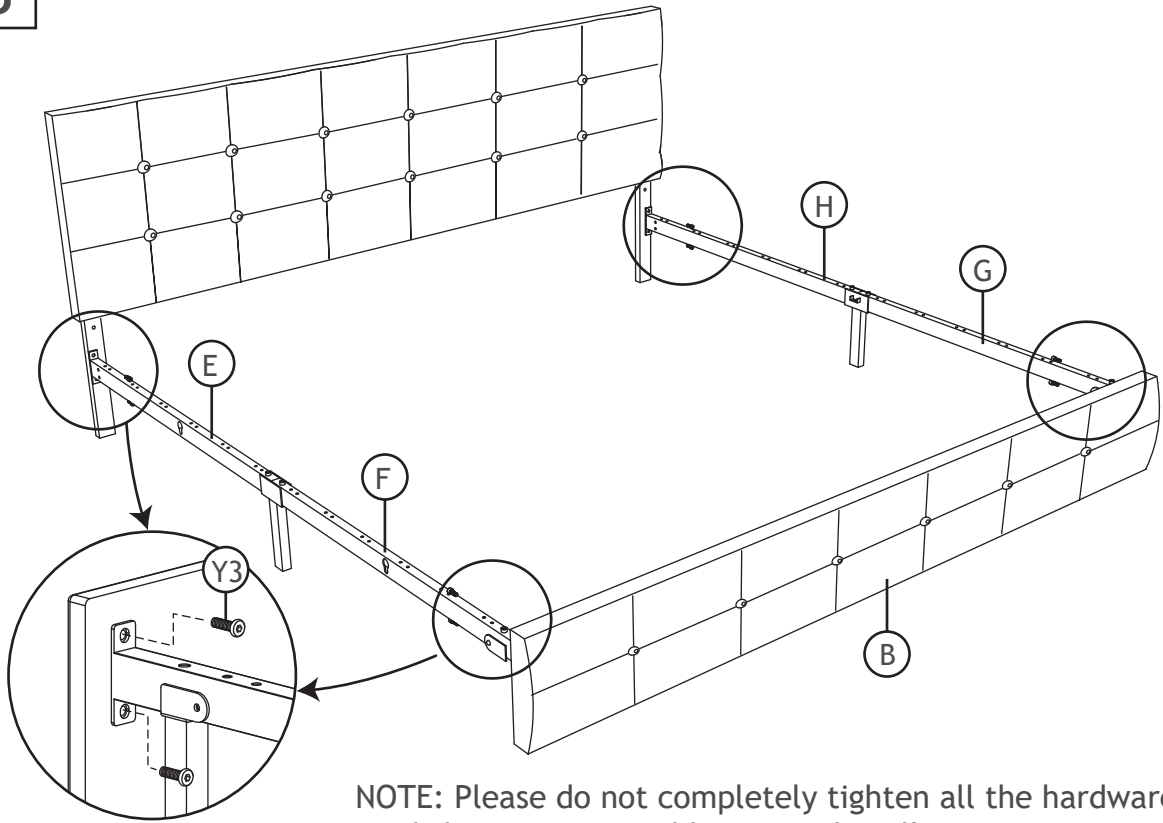


The headboard(A) can be adjusted up and down by fixing the position of screws on the back.

2

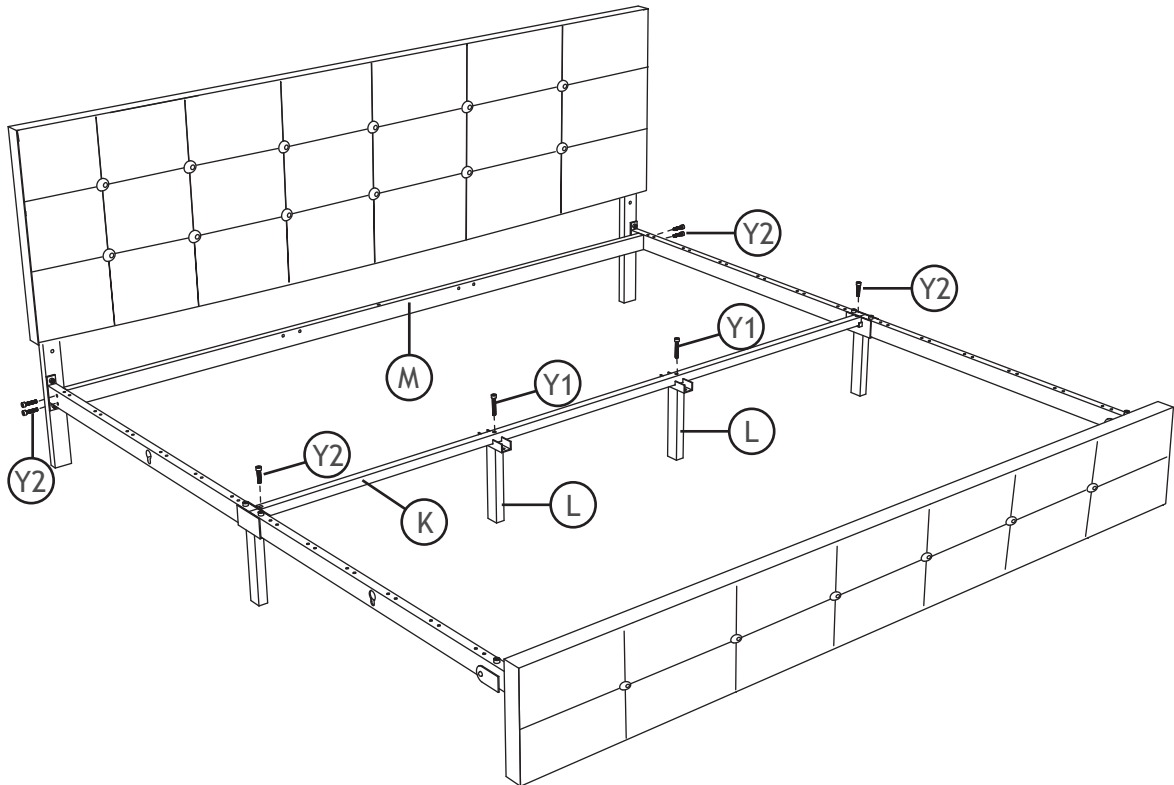


3



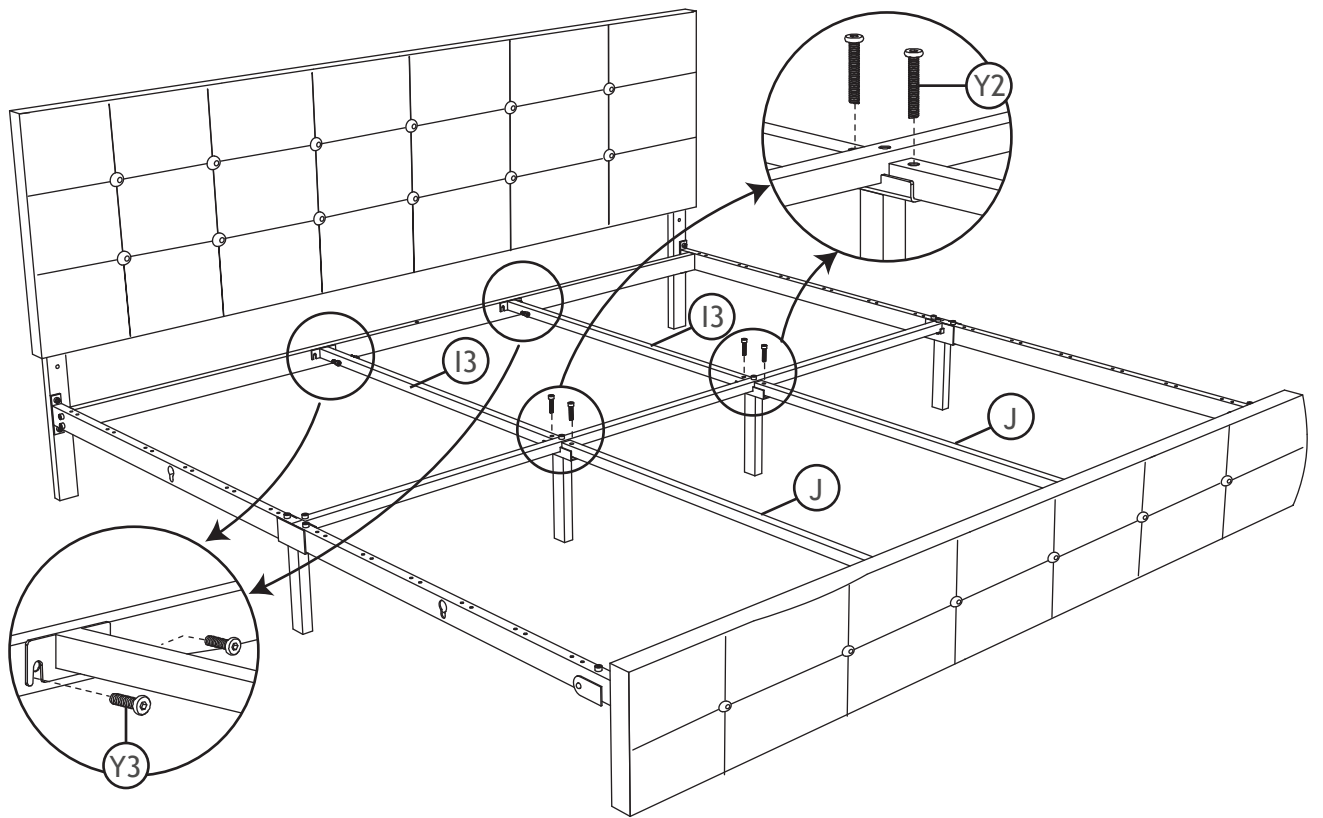
NOTE: Please do not completely tighten all the hardware until the entire assembly is completed!

4

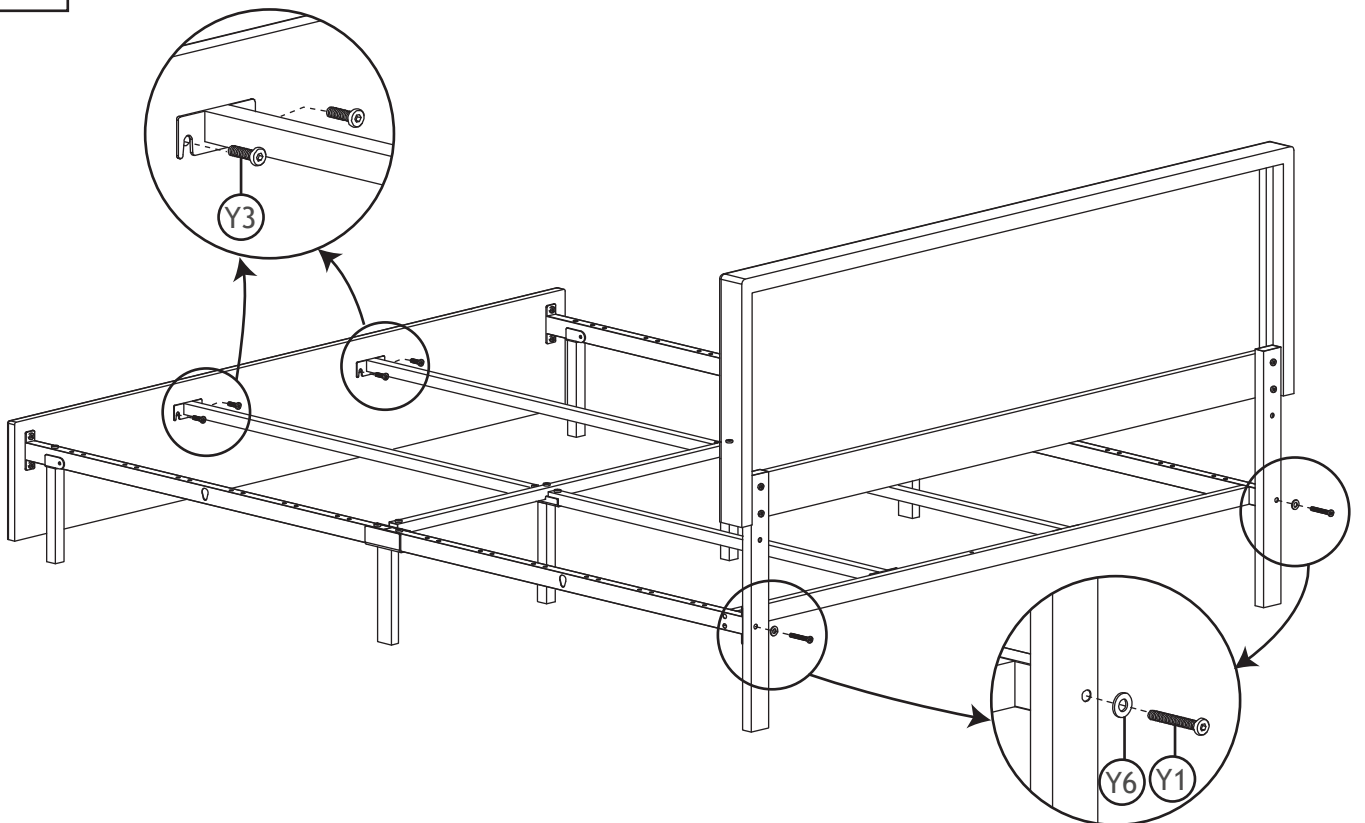


5

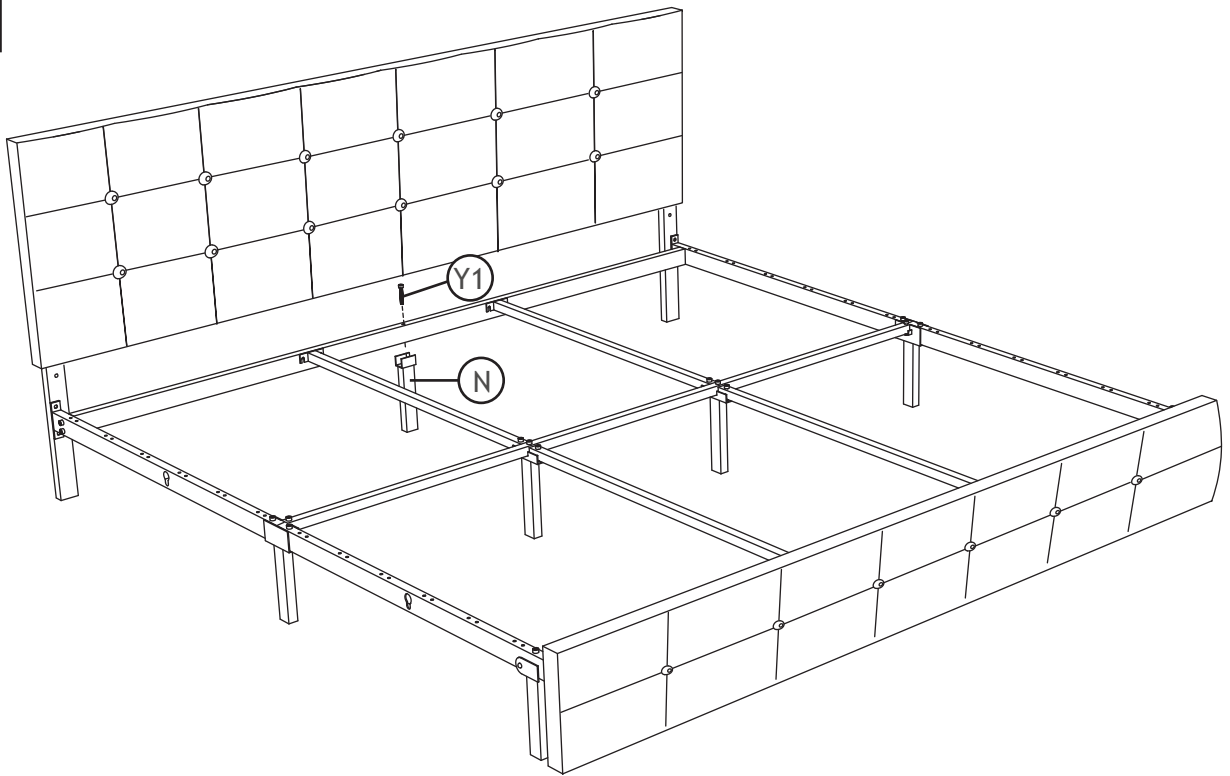
5



6

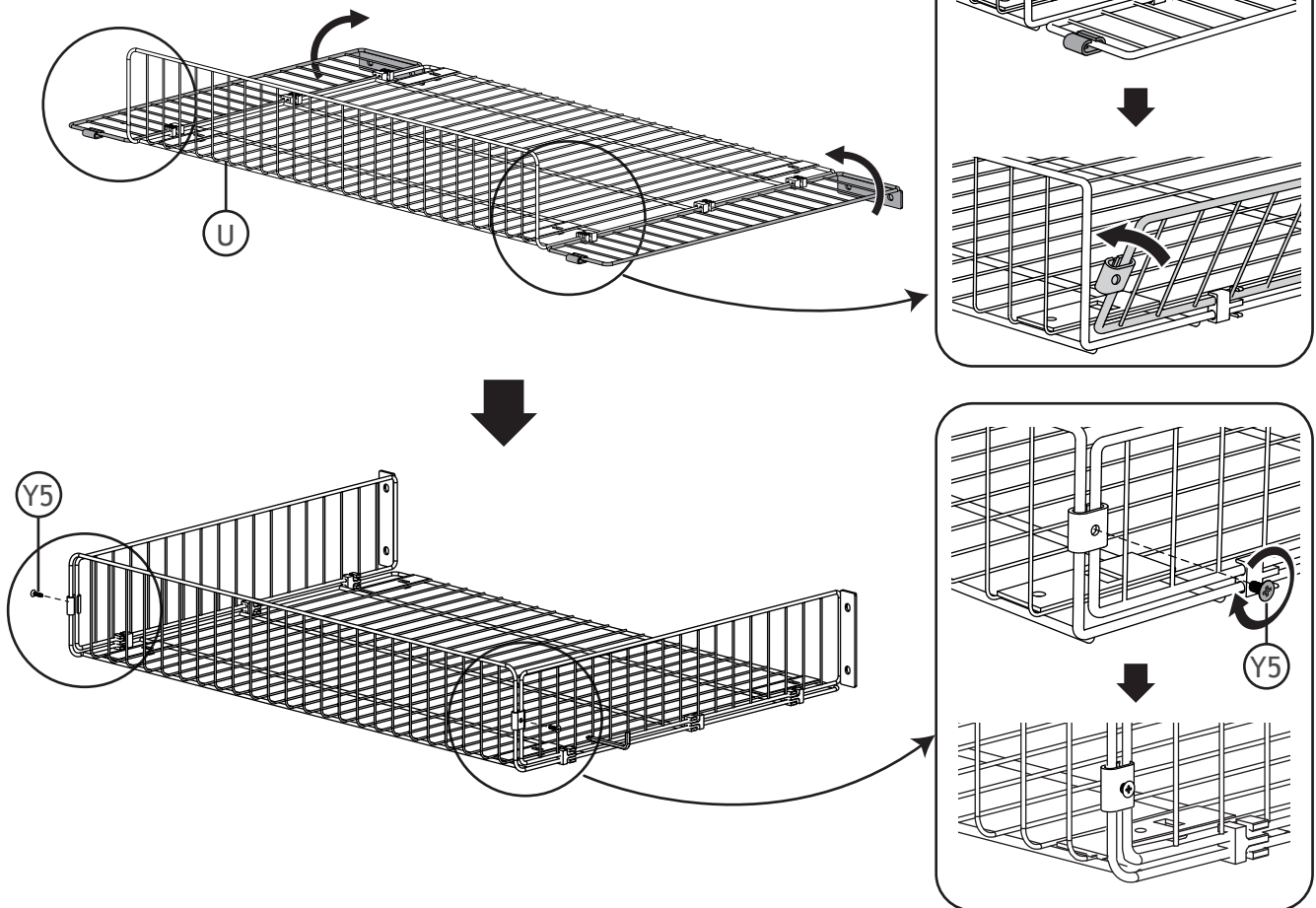


7

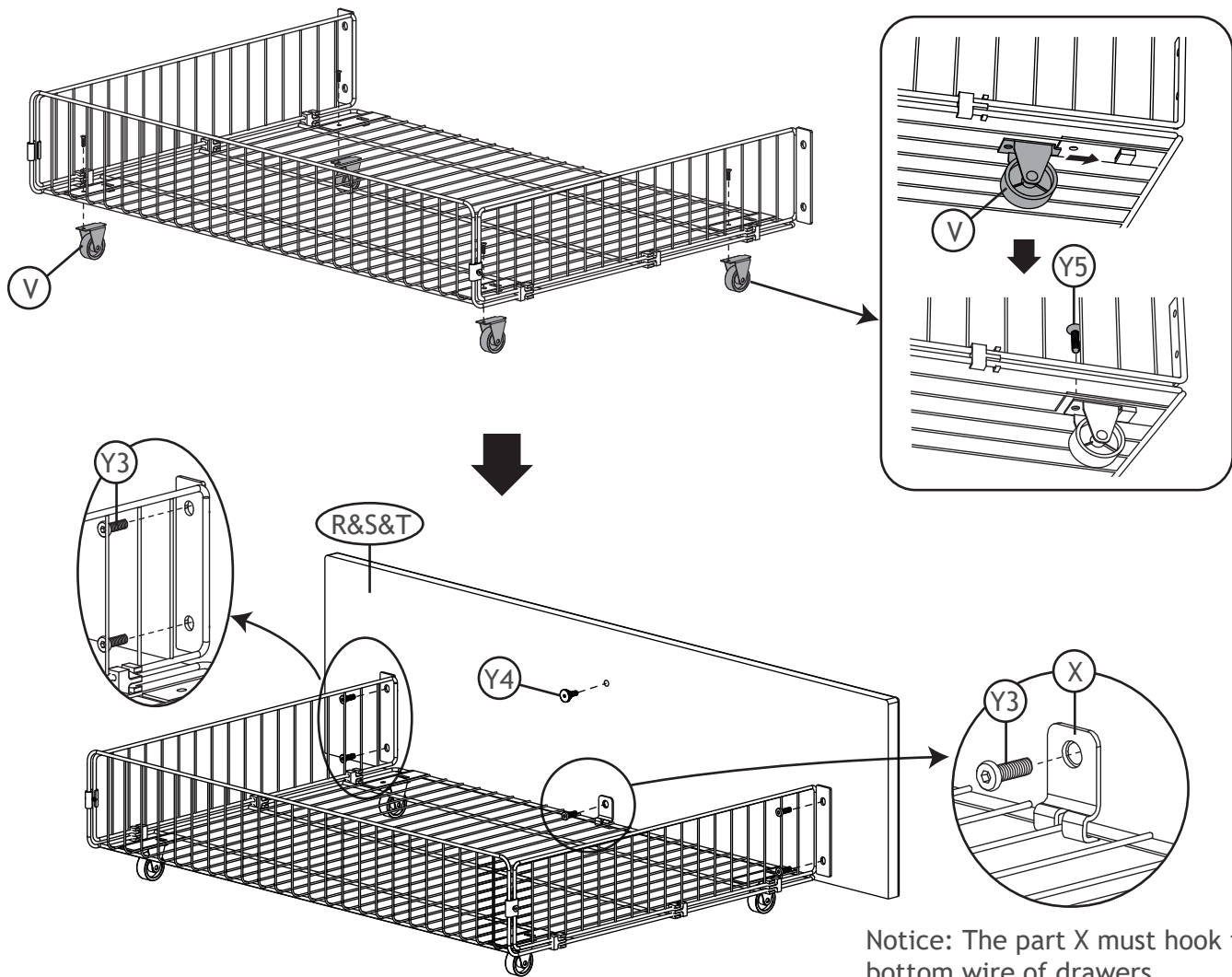


8

Please hook the other side with iron buckle welded on the iron net, and then fix it with screws Y5. If you cannot fix the drawer net with screw Y5, please pull both sides of the net to leave a gap.

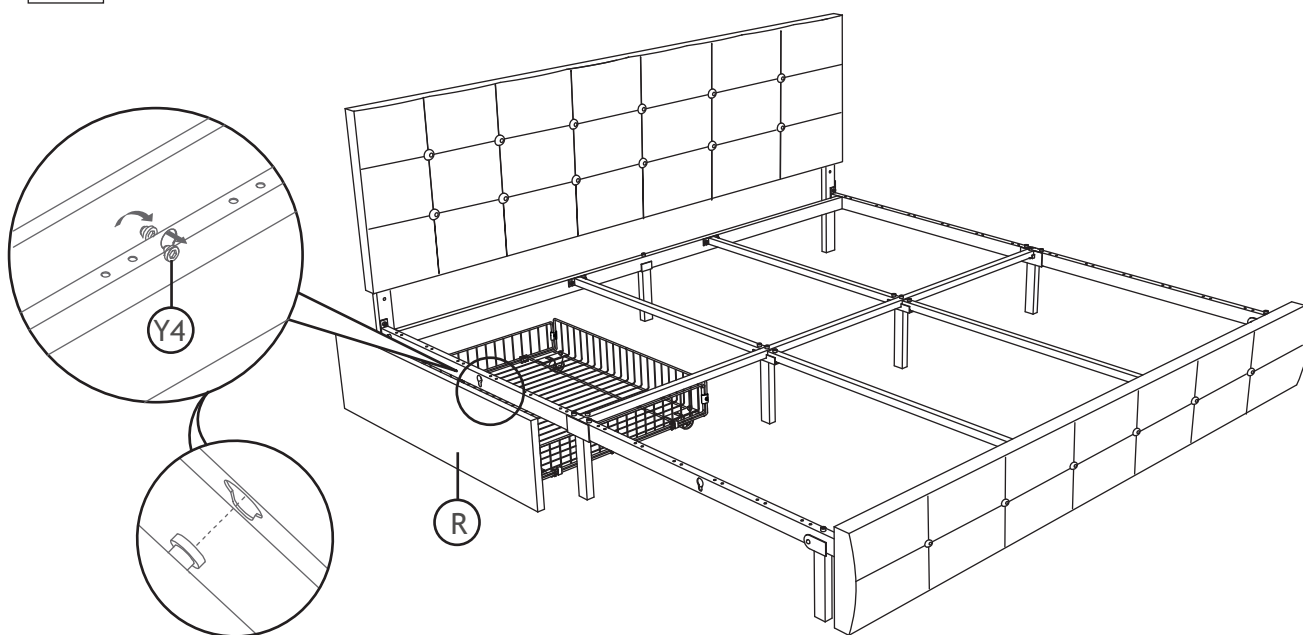


9



Notice: The part X must hook the bottom wire of drawers.

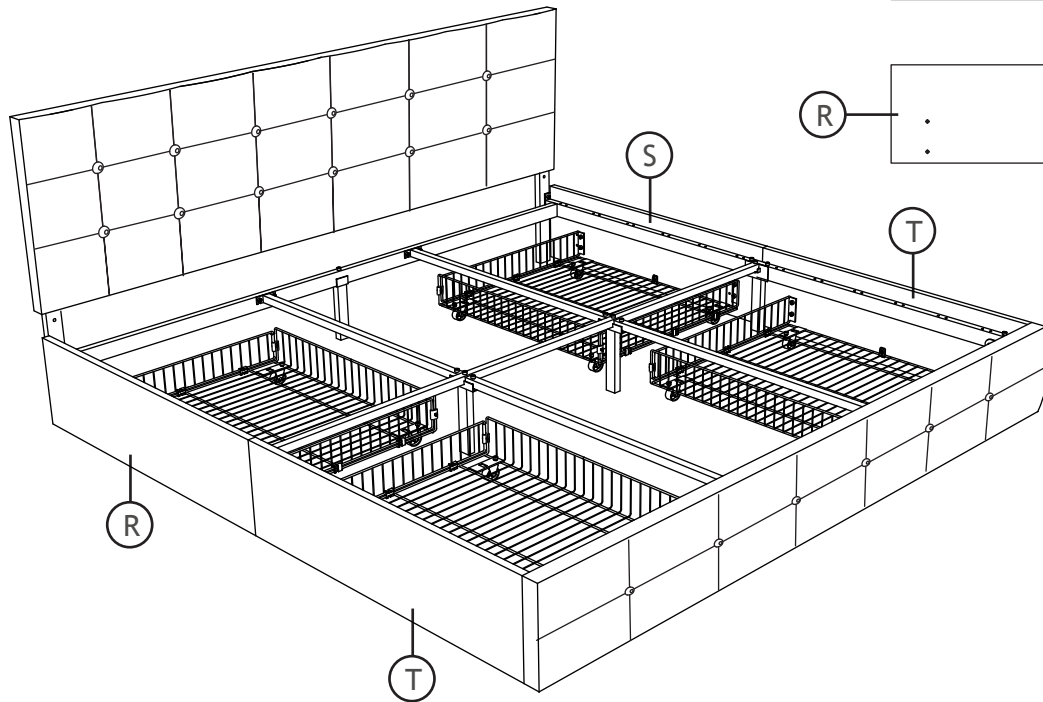
10



Put the Y4 screws into the hole and press it into the bottom of the "Ⓛ" hole.

11

The 4 drawer-boards have 3 different lengths.



12

