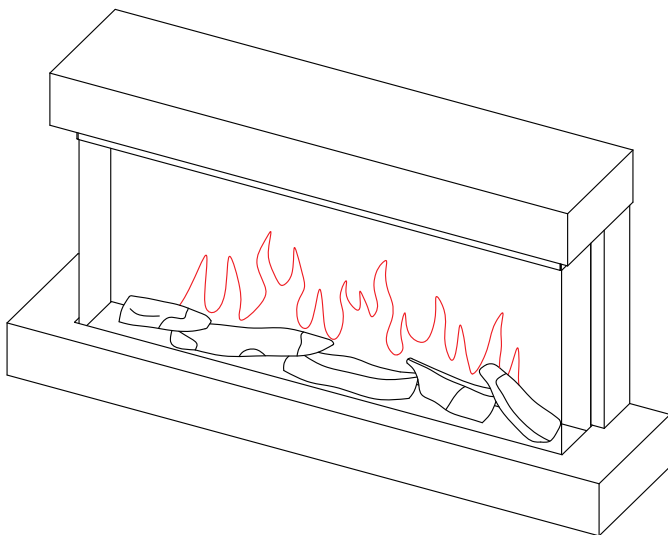
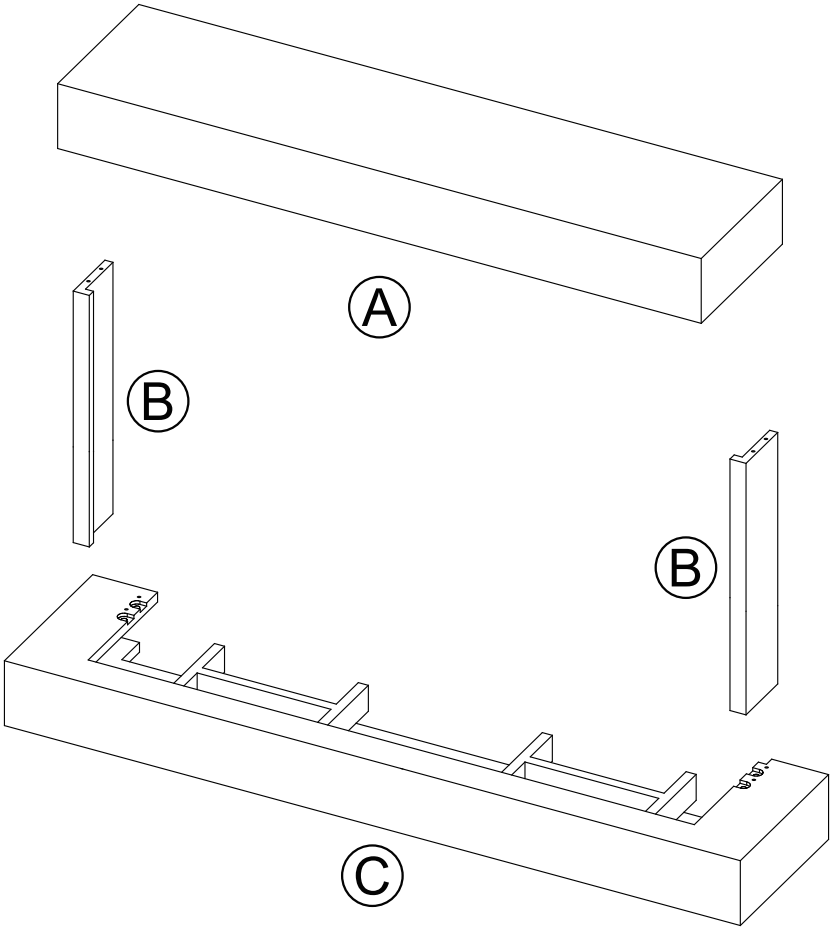


FIREPLACE MANTEL

ASSEMBLY INSTRUCTIONS



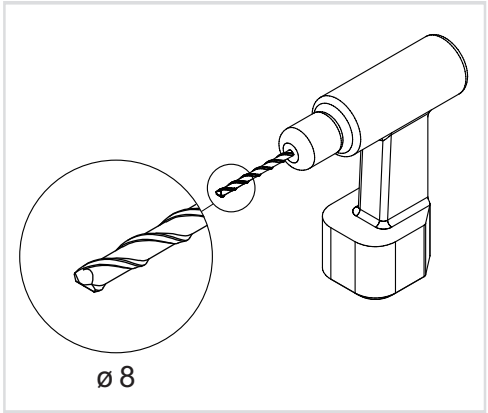
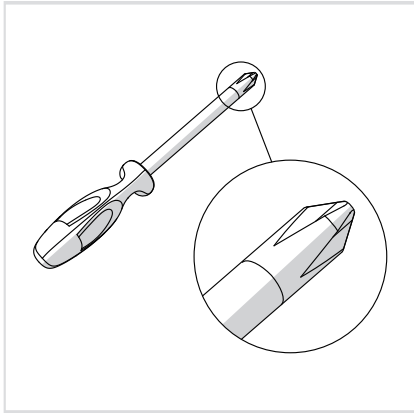
PARTS LIST


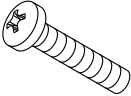


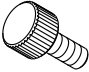

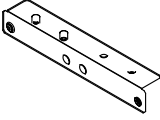
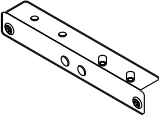
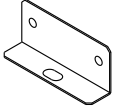


PARTS AND ACCESSORIES

Tools required:

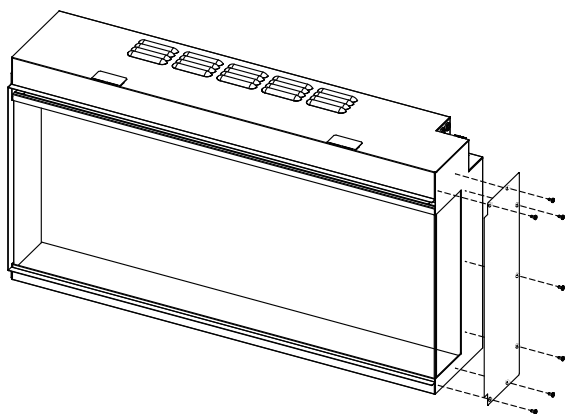
A screwdriver and an impact drill will be needed.



 4x ST4x8mm	 4x M5x25mm	 8x ø 6 x 30mm
 4x ø 5.3 x ø 15 x 1.2 mm	 2x M5x12mm	 1x Baffle
 1x Bracket LH Bottom	 1x Bracket RH Bottom	 2x Fix Bracket

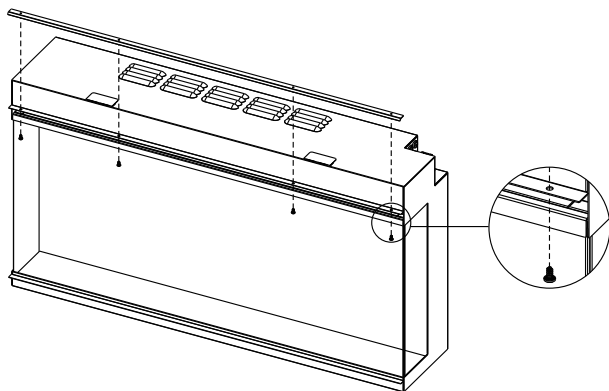
ASSEMBLY INSTRUCTIONS

- 01** Remove the side panels and trims, save 14pcs ST4X10 screws. 10pcs will be used in Step 3.



Carry out this assembly step on both sides

- 02** Fix the baffle on the firebox.



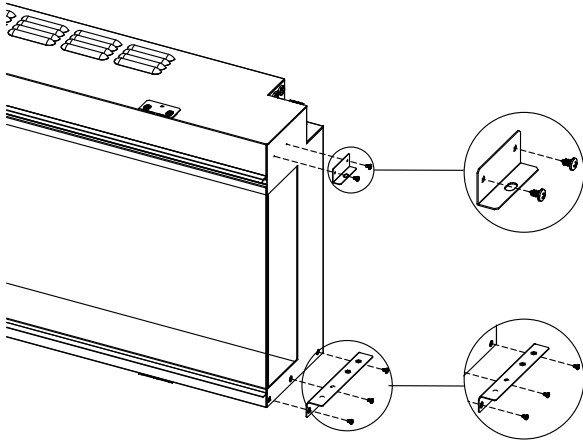
1x

Baffle

4x

ST4x8mm

03

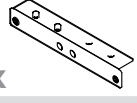


2x



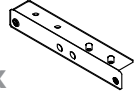
Fix Bracket

1x



Bracket LH Bottom

1x



Bracket RH Bottom

10x



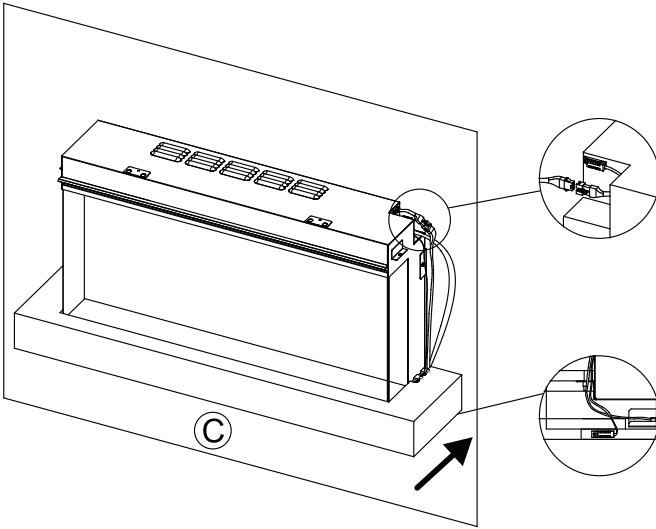
*ST4x10mm

Carry out this assembly step on both sides

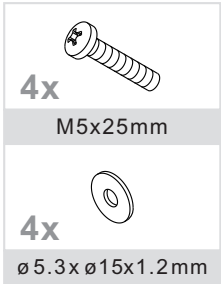
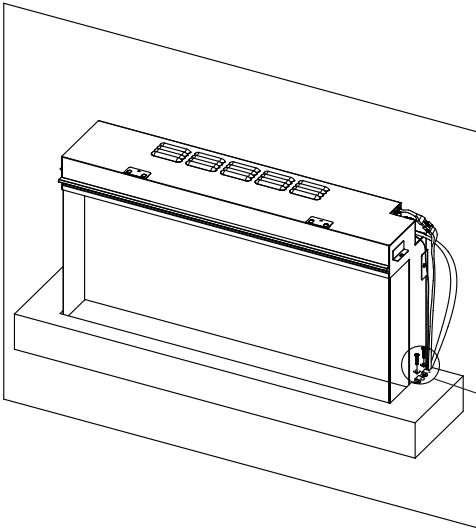
04 Hang the fireplace on the wall and fix.
Details please see the instruction manual of the firebox.

05 Install the power cord and release the sensor as shown on the instruction manual of the firebox.

06 Install the lower mantel on the fireplace gently, connect the mood light, arrange the sensor inside the lower mantel. Settle the wires.

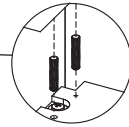
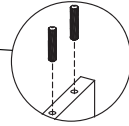
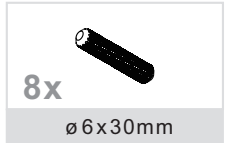
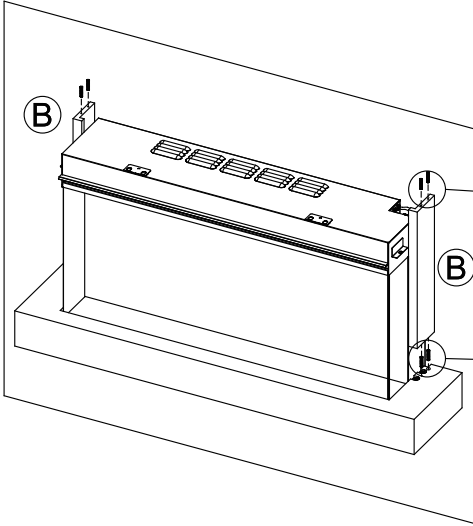


07



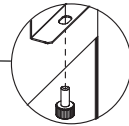
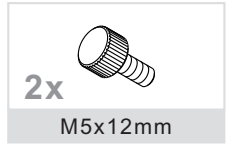
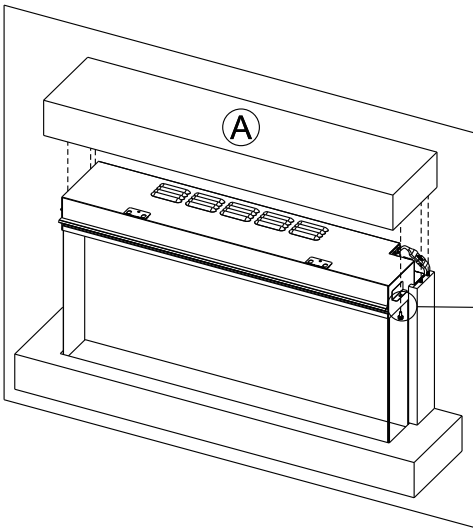
Carry out this assembly step on both sides

08



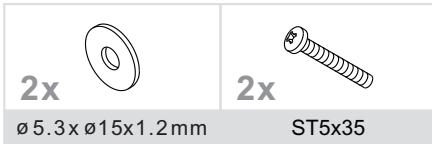
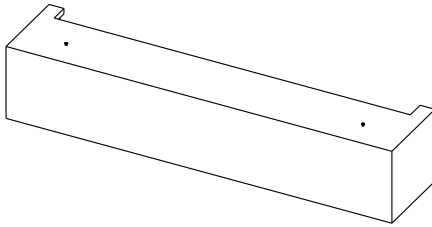
Carry out this assembly step on both sides

09



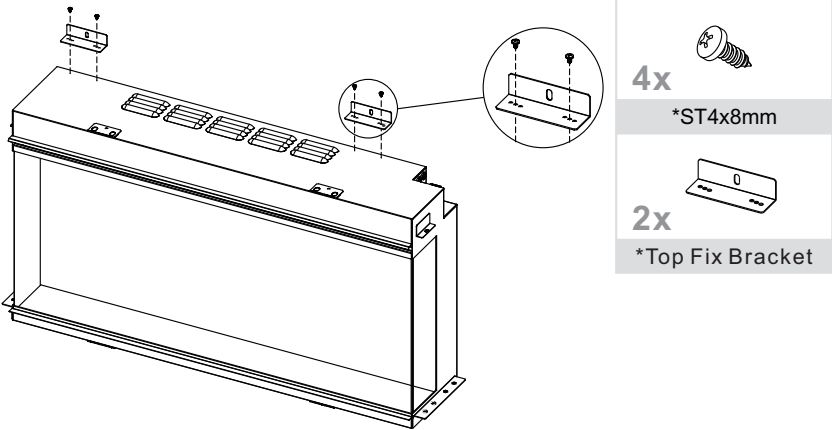
Carry out this assembly step on both sides

This model can be also used as free standing style with additional base mantel and spare parts shown below.



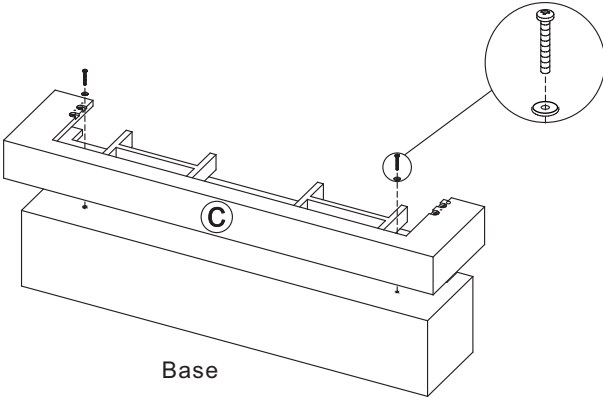
01 02 03 same as above.

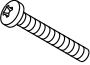

04 Fix the fixing bracket by 4pcs screws which come with the fireplace.



Carry out this assembly step on both sides

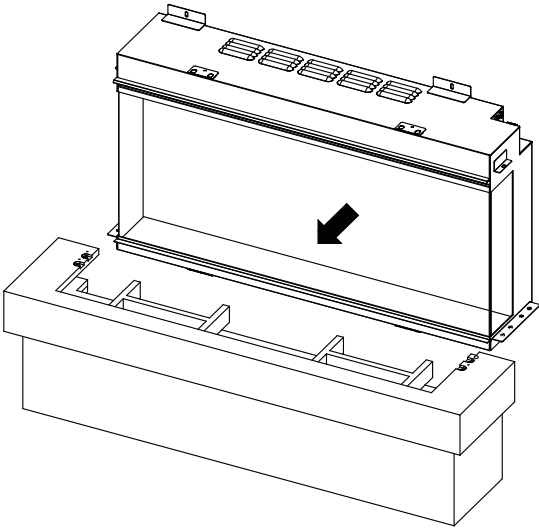
05




2x
ST5x35

2x
ø 5.3 x ø 15 x 1.2 mm

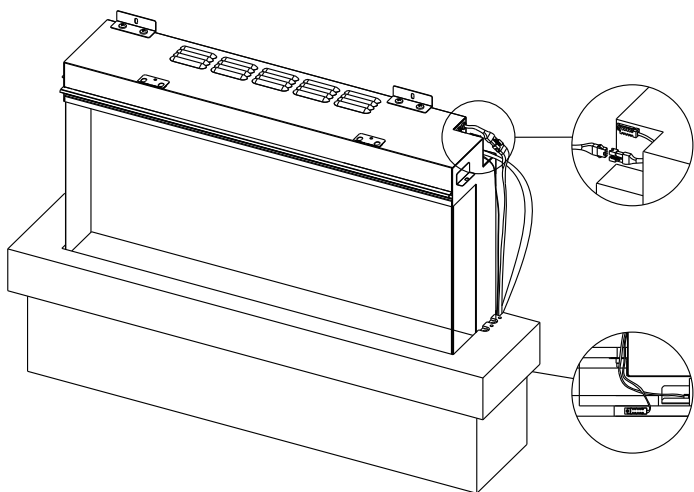
Carry out this assembly step on both sides

06

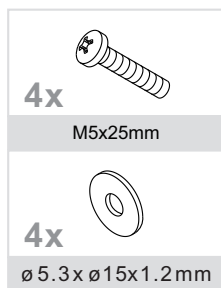
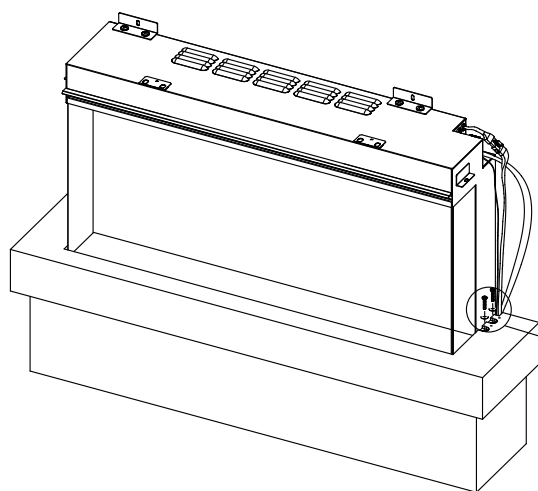


07 Install the power cord and release the sensor as shown on the instruction manual of the fireplace.

08 Connect the mood light, arrange the sensor inside the lower mantel. Settle the wires.



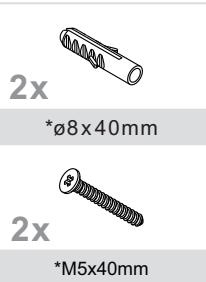
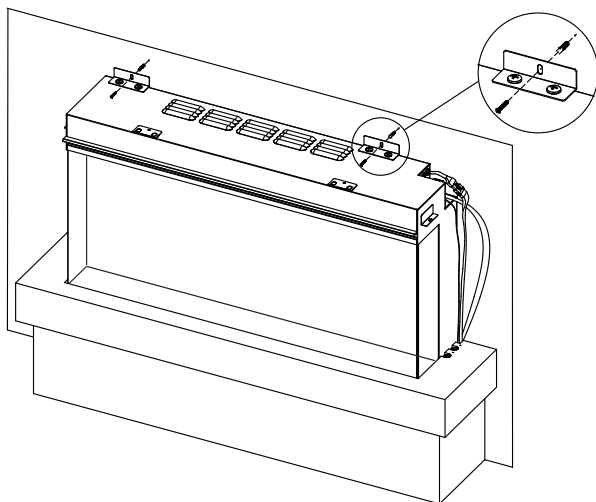
09



Carry out this assembly step on both sides

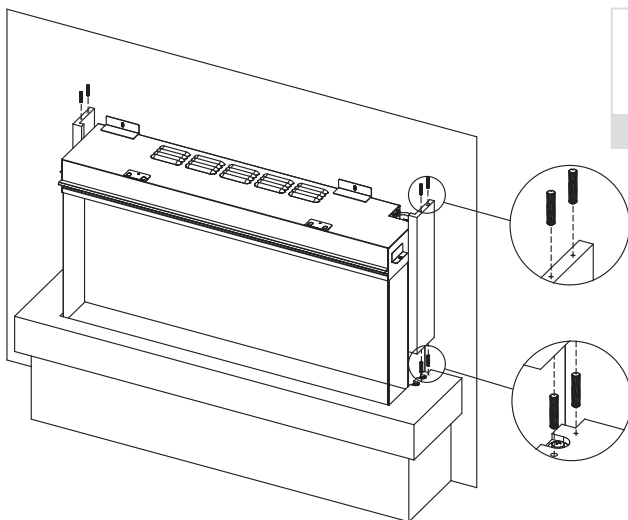
10

Spare parts used in this step come with the fireplace.



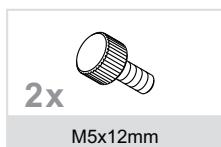
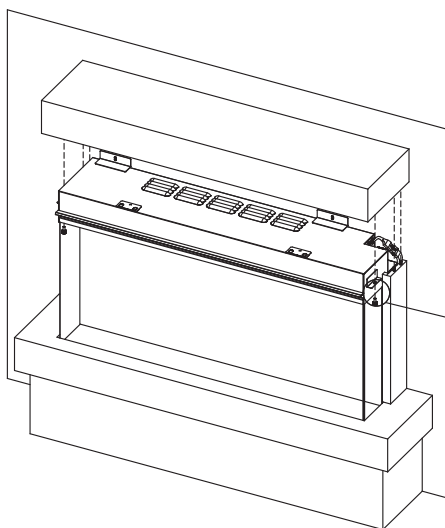
Carry out this assembly step on both sides

11



Carry out this assembly step on both sides

12



Carry out this assembly step on both sides

13 The installation is completed now.

