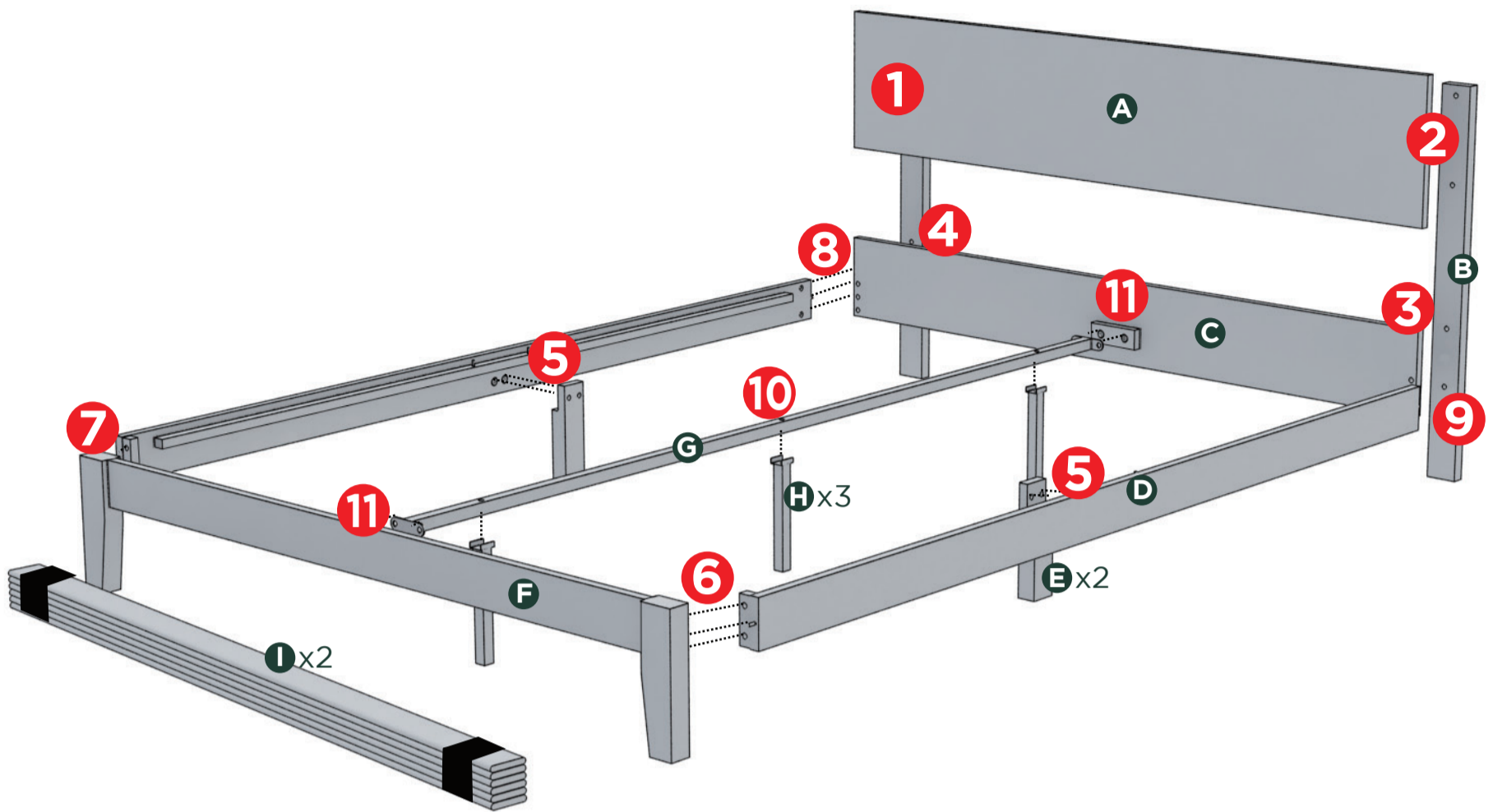


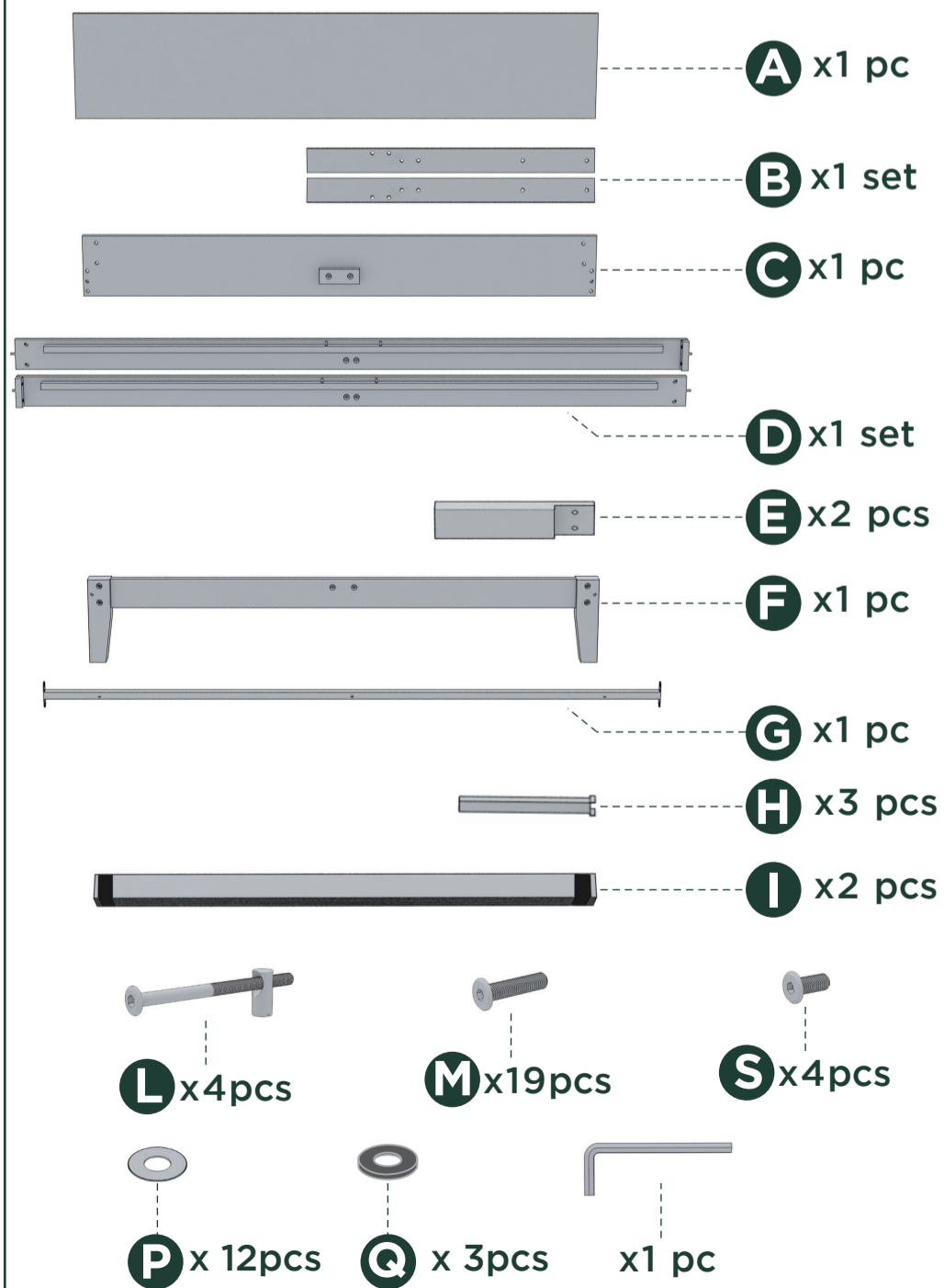
Numbering System
Easy assembly by following 1,2,3...



Platform Bed

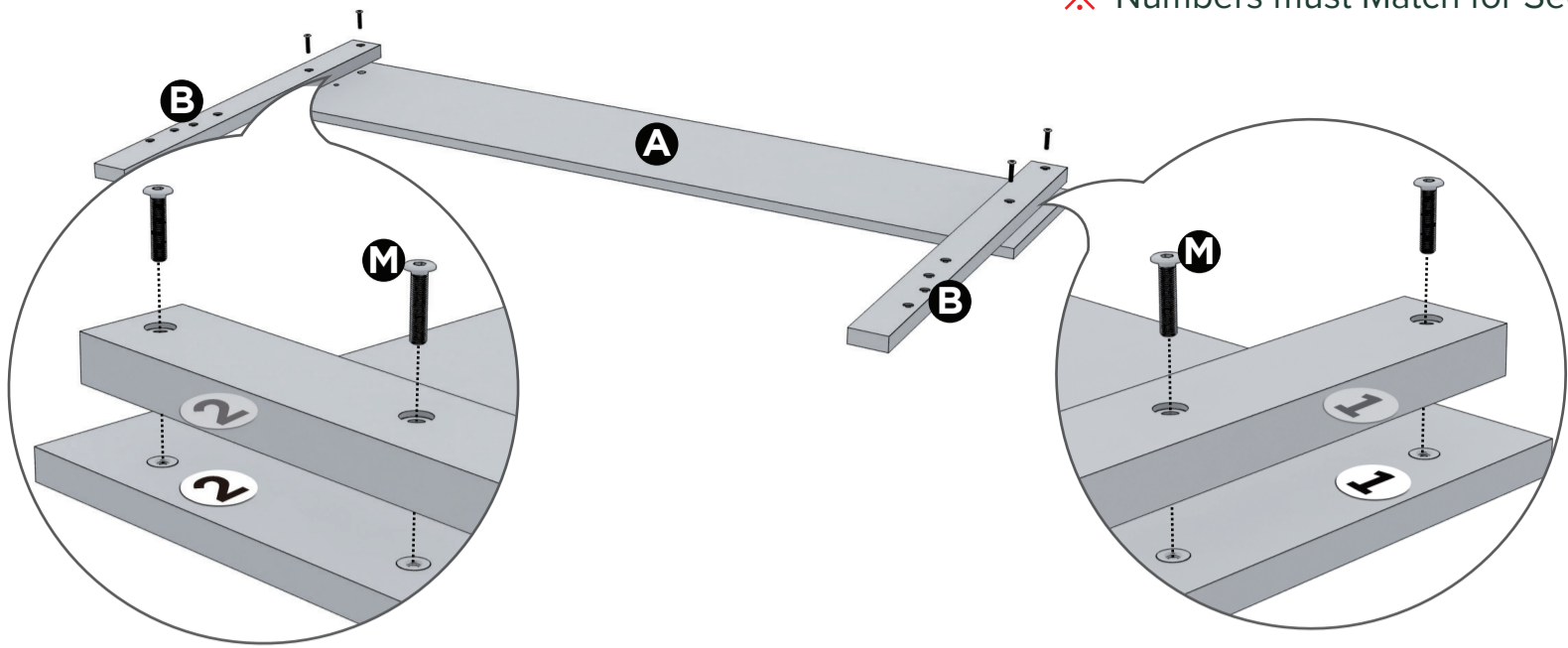


Components

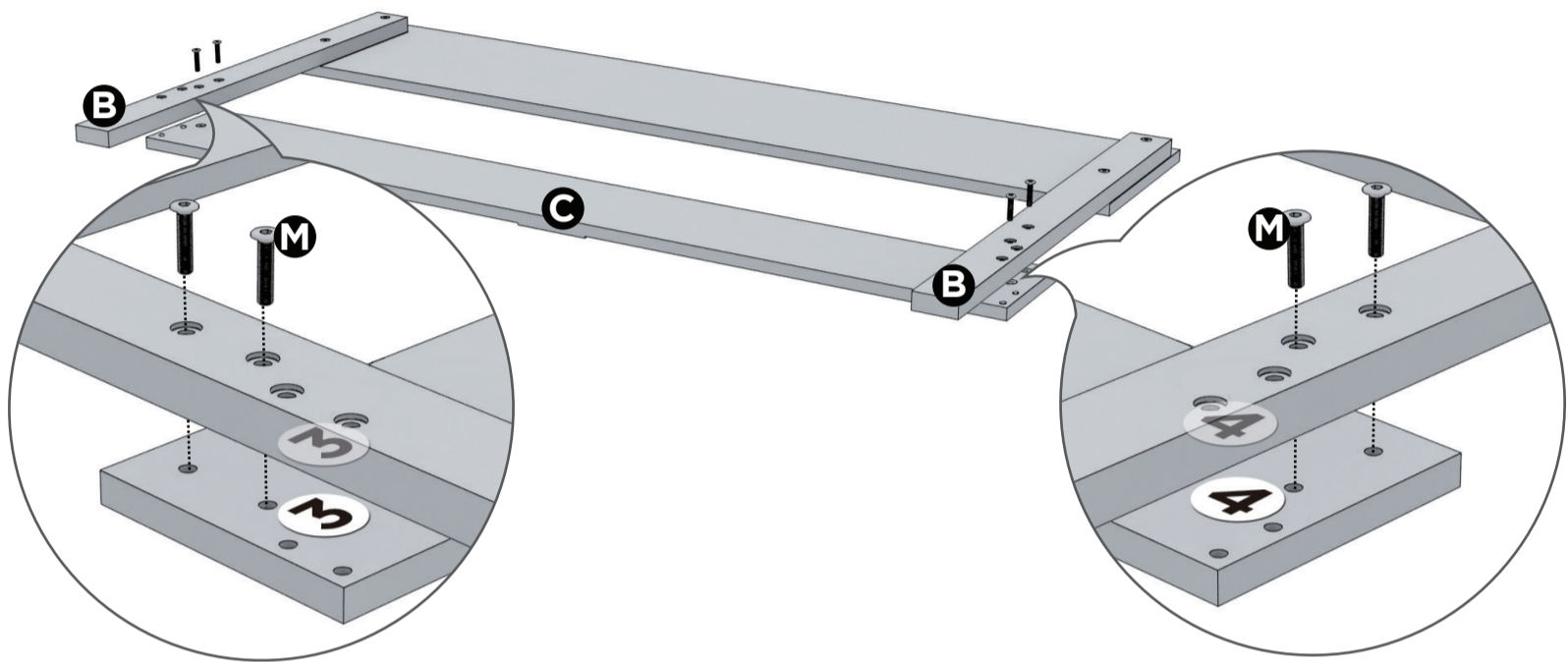


1

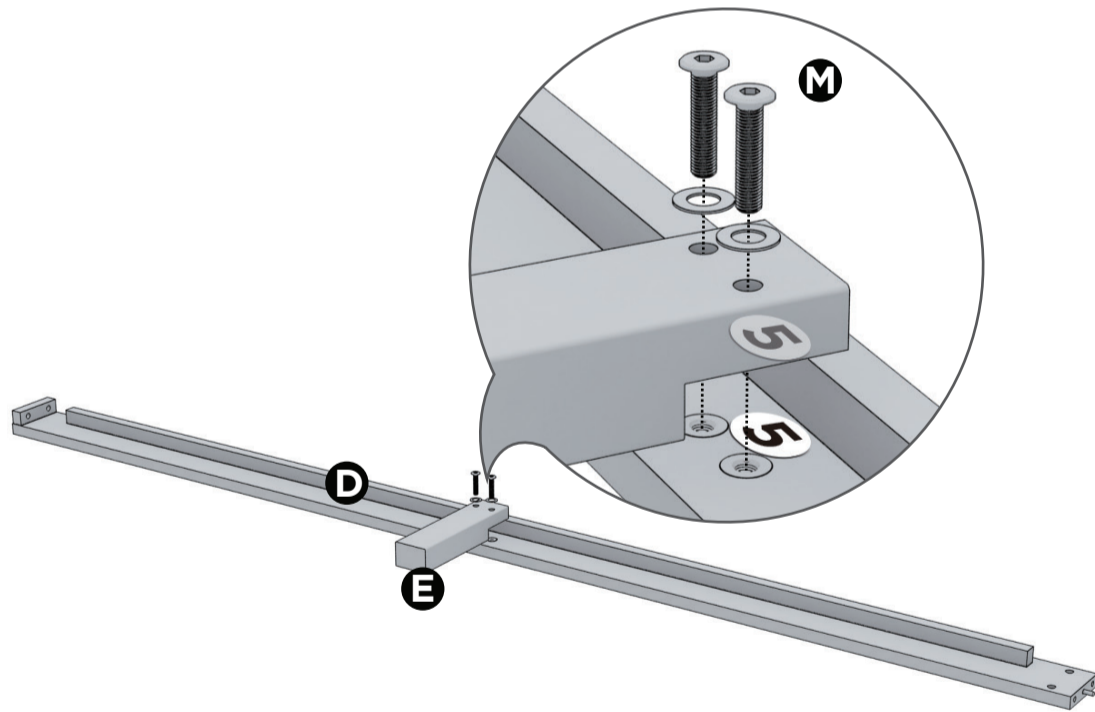
✘ Numbers must Match for Secure Assembly



2

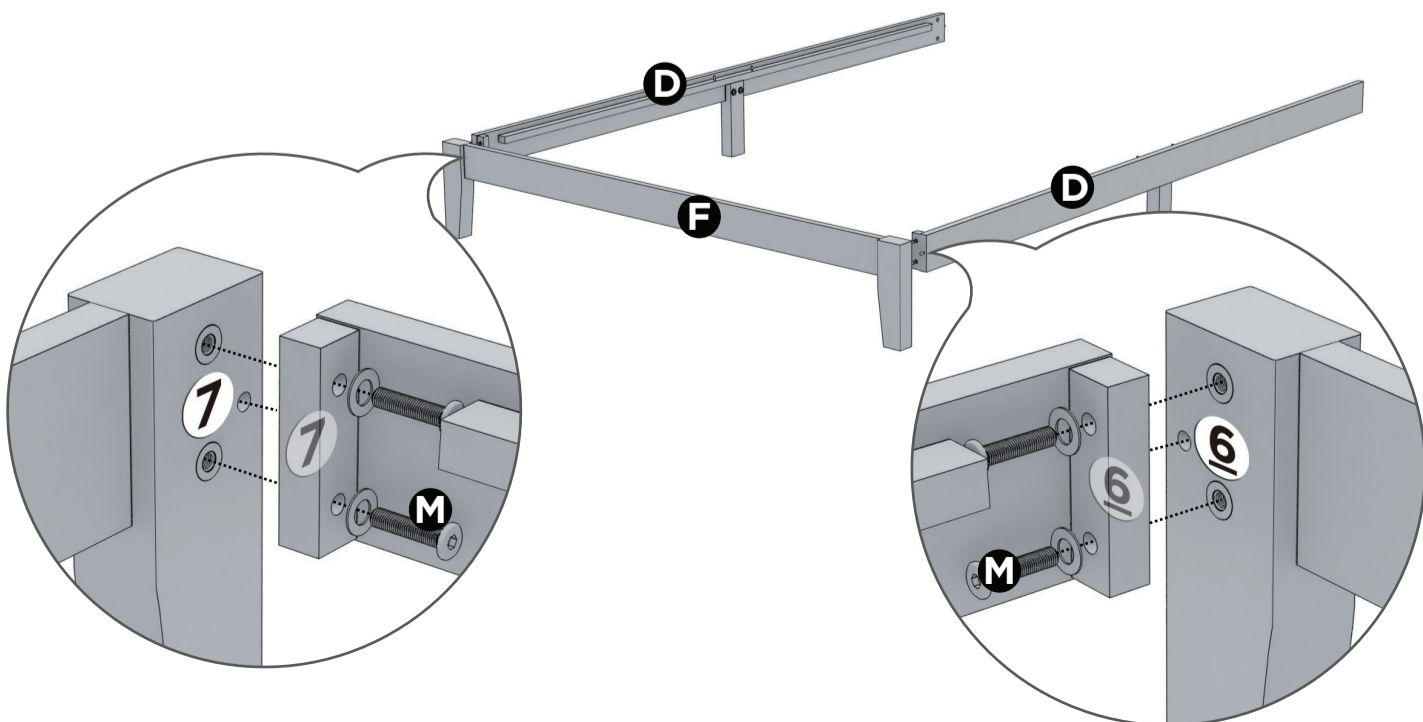


3

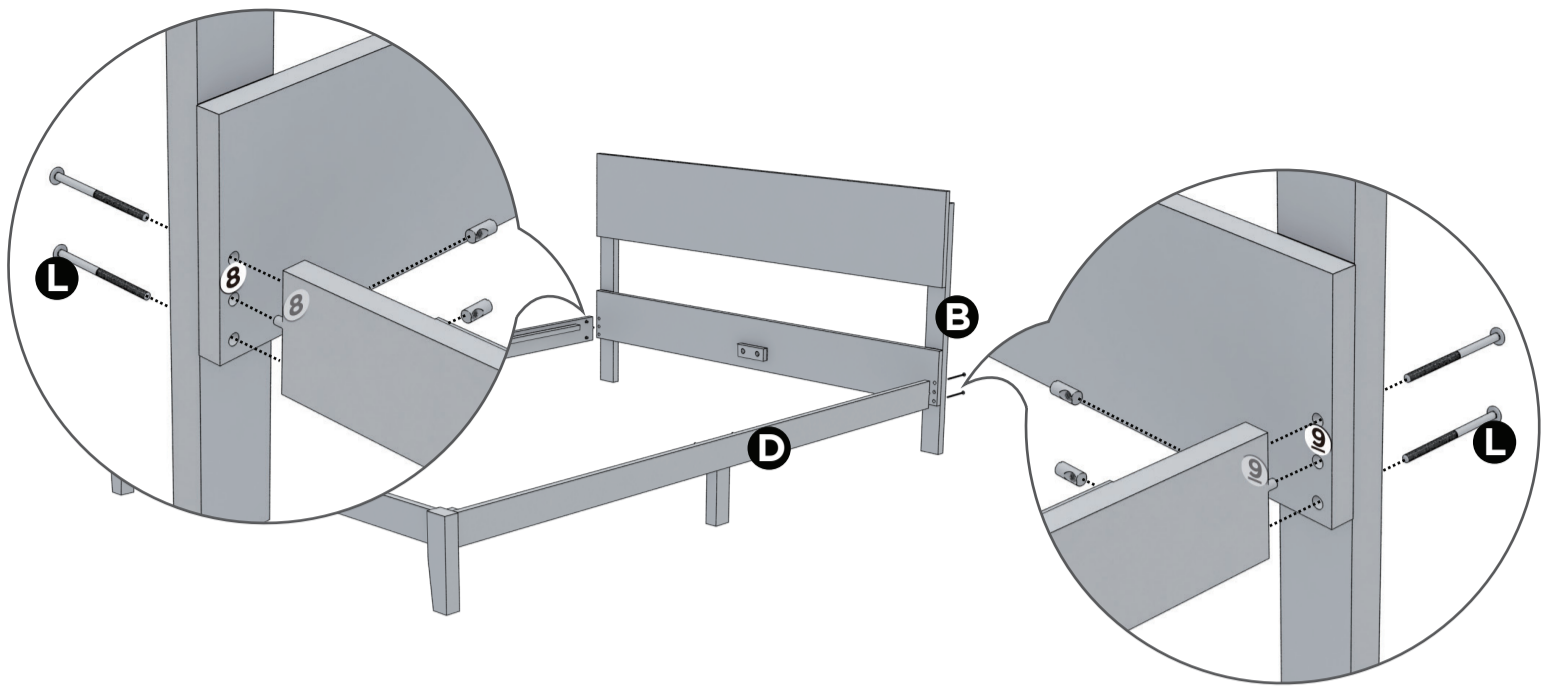


x2

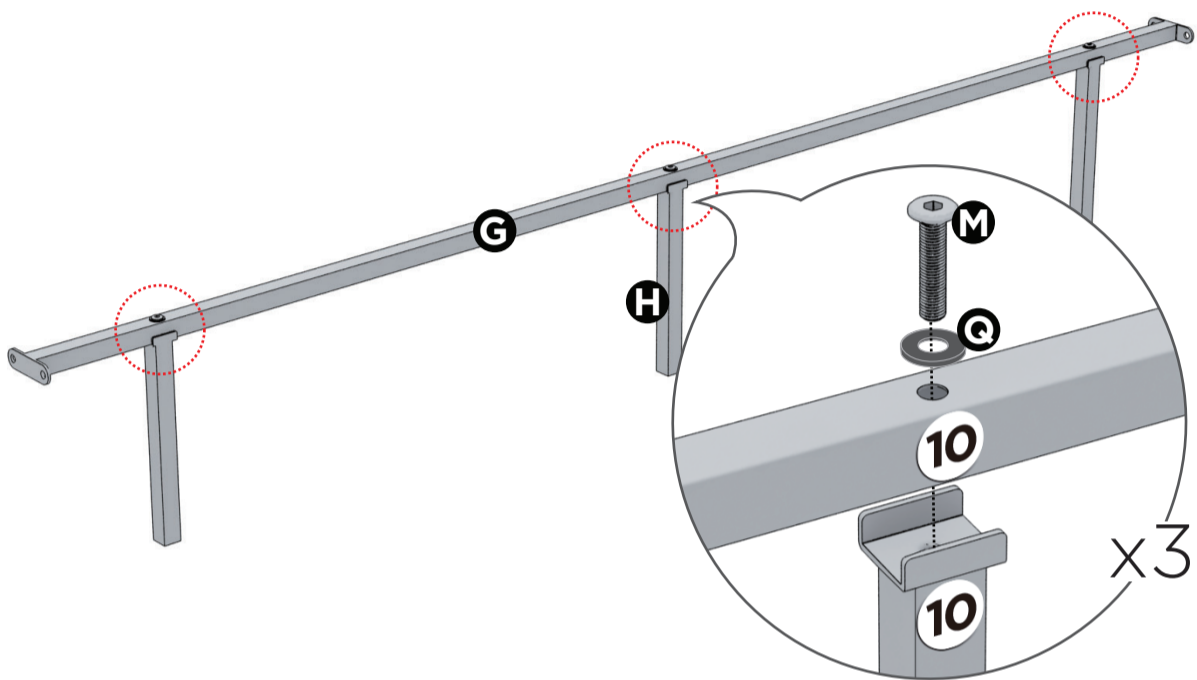
4



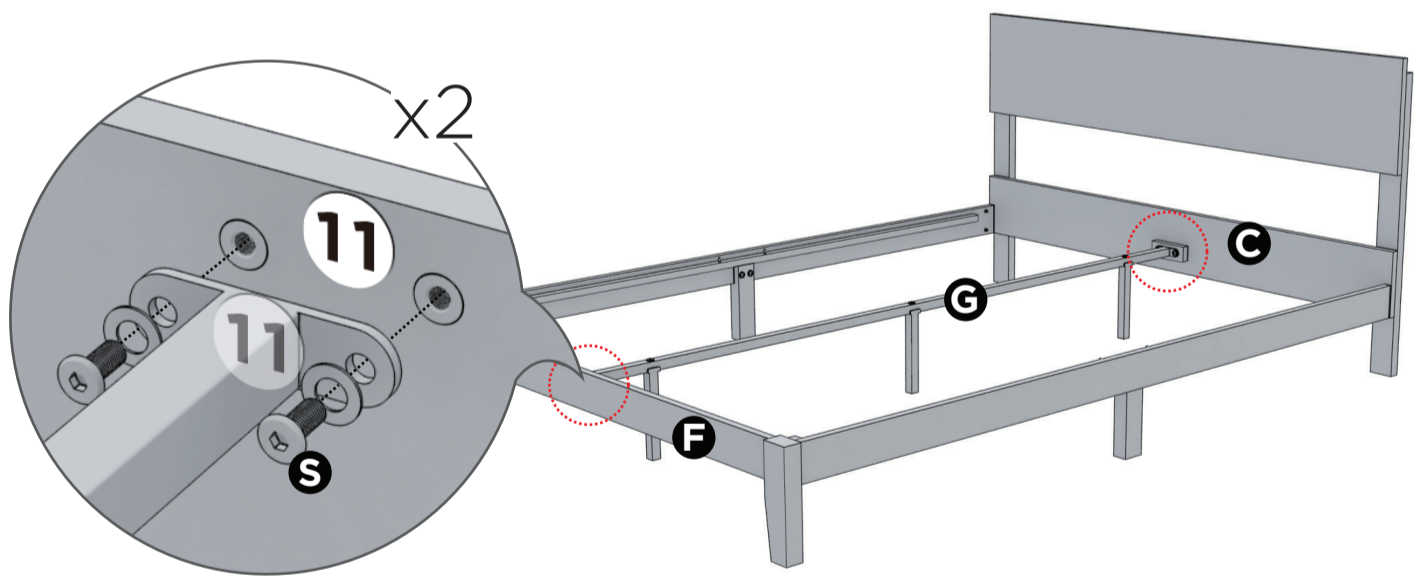
5



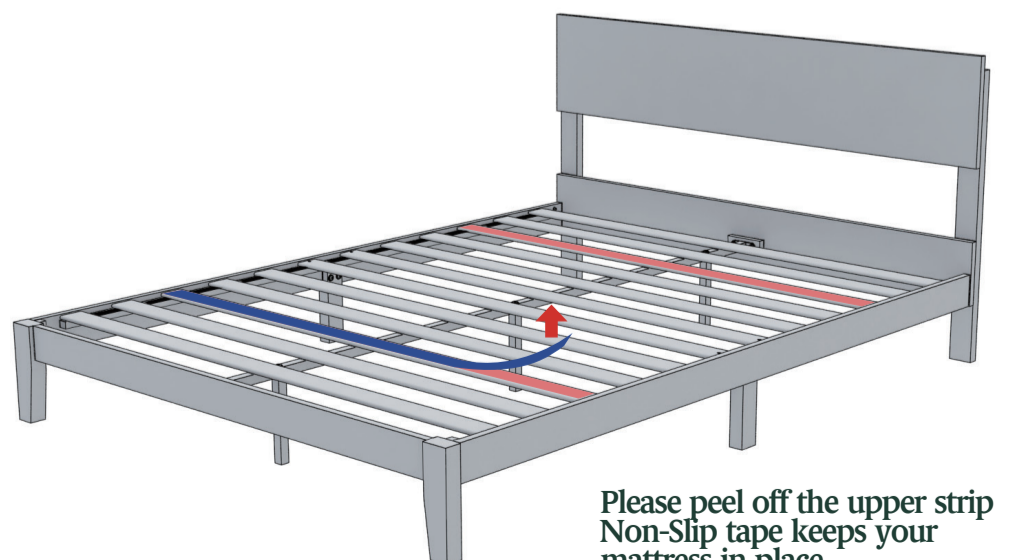
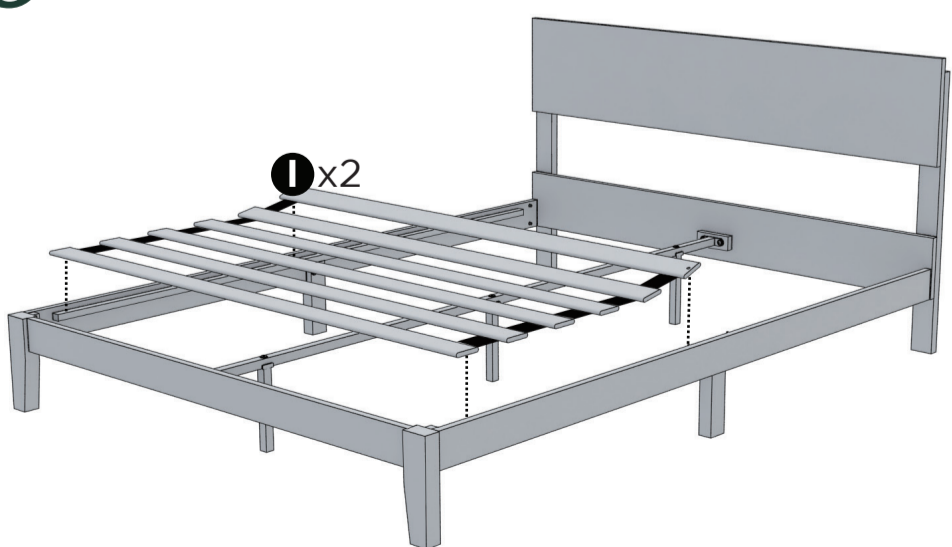
6



7



8



Please peel off the upper strip
Non-Slip tape keeps your
mattress in place