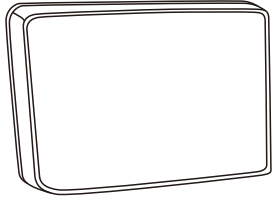
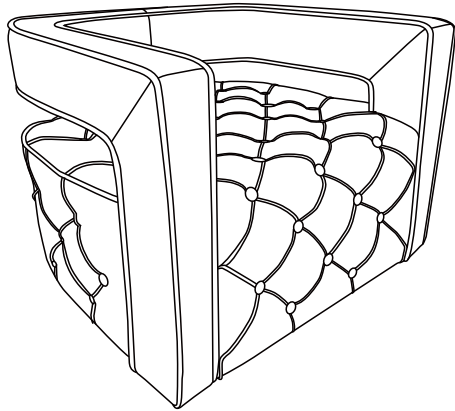


ASSEMBLY INSTRUCTIONS

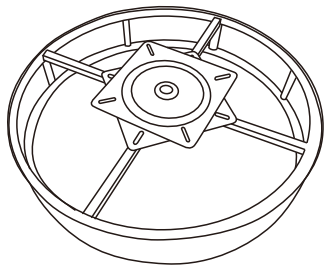
Ax1



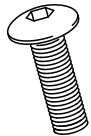
Bx1



Cx1



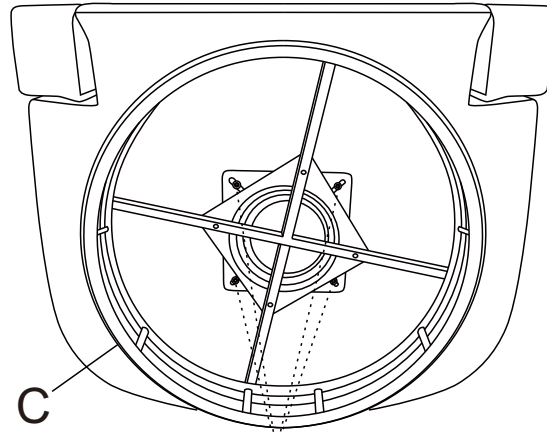
Dx4



Ex1



1



Warning!!!
PUT ALL SCREWS IN THE HOLE,
THEN TIGHTEN ONE BY ONE.

2

