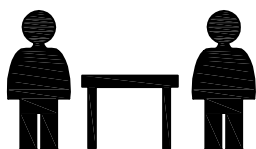
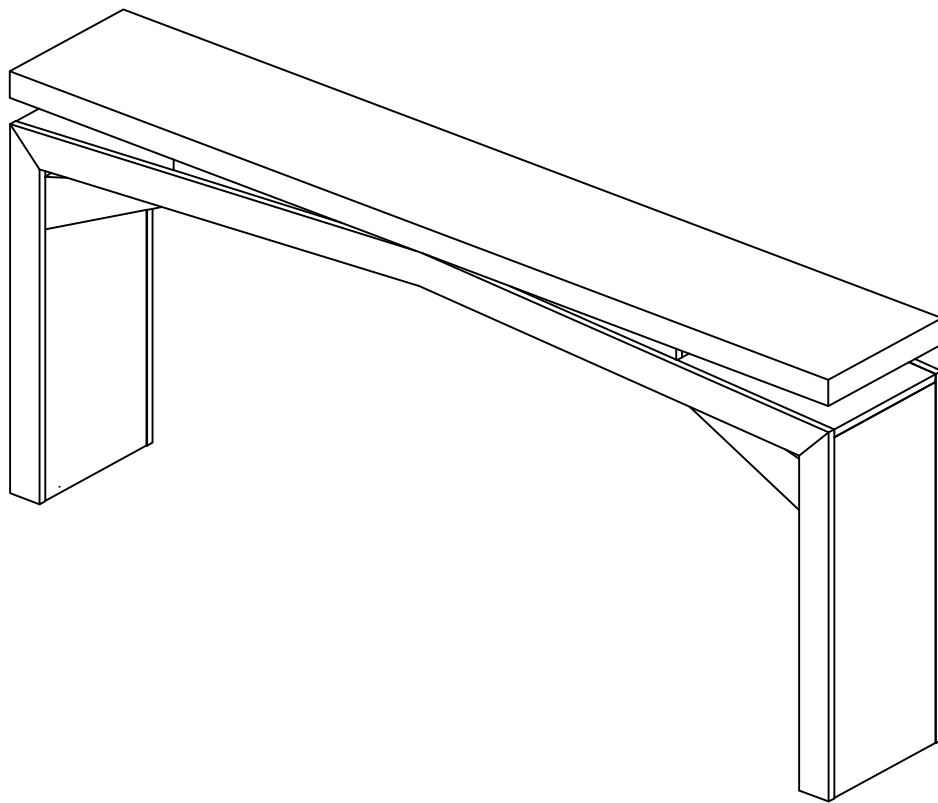


Table



Suggestion: To make the installation process easier and faster, we recommend that two people work together to install the table.

INTRODUCTION

Thank you for purchasing our products. Please read the instructions carefully before installation and keep it in a safe place for future reference. If you need any assistance or support, please feel free to contact our customer support team.

PRECAUTIONS

1. There are many components and accessories in the package. Each component and accessory is labeled with a letter or a number, check carefully before using any of them. Keep them away from children to prevent accidents.
2. Please install the product on a clean and soft underlay (such as carpet or cardboard) to avoid scratching or damaging the surface of the product.
3. The main components of the product is relatively heavy. Please pay attention to safety during installation.
4. The product is not stable during installation. Please do not move it randomly before it is completely installed.
5. If you have any questions during installation, please contact the customer service in time.

*** PLEASE BE SURE TO FOLLOW THE INSTALLATION STEPS IN THE MANUAL TO AVOID UNNECESSARY LOSSES CAUSED BY IMPROPER INSTALLATION.**

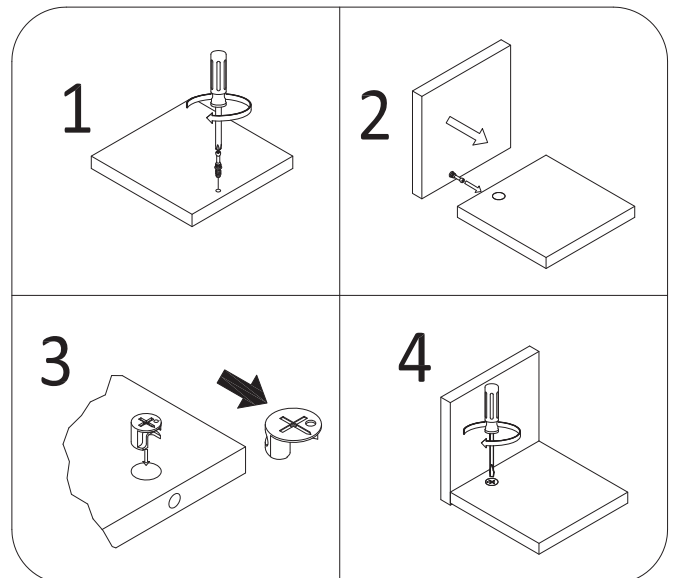
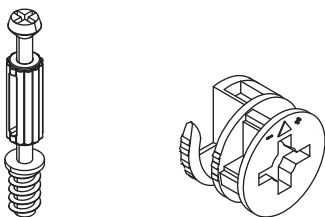
*** IF YOU NEED FURTHER ASSISTANCE, PLEASE CONTACT THE CUSTOMER SERVICE ONLINE.**

Important

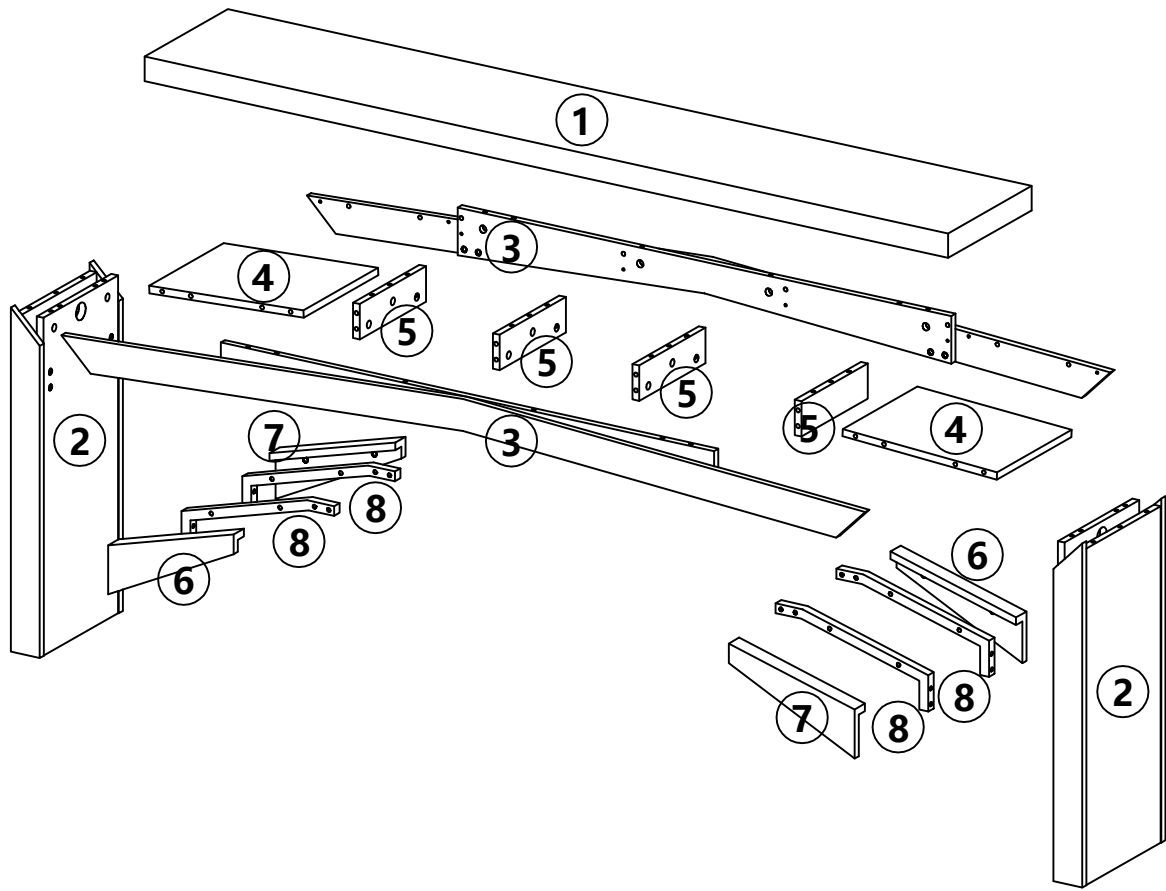
1. We recommend two people to assemble the product easier and faster.
2. Please DO NOT tighten the screws deeply during assembling avoiding that metal frame can be bent and plank will crack.
3. We recommend that all screws should not be tightened over during assembling to make it easy to adjust, When it is adjusted to proper station, all screws should be tightened.

Cam Lock Fastening System

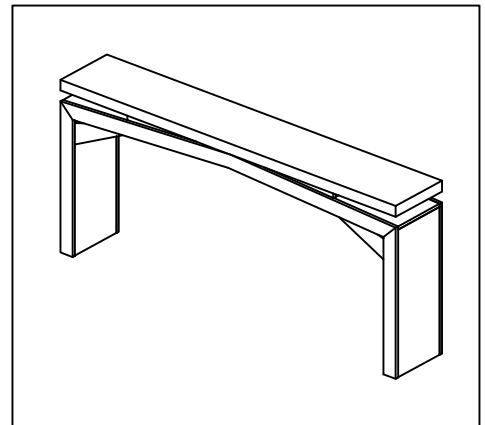
This Cam Lock Fastening System will be used throughout the assembly process



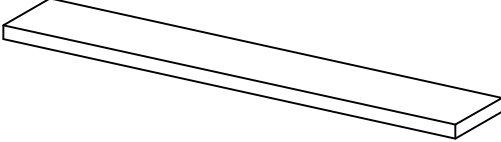
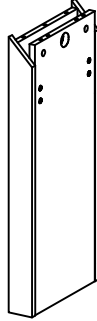

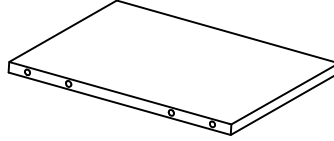
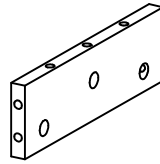
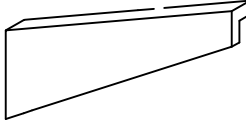
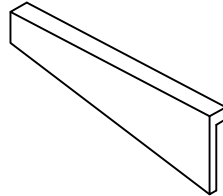
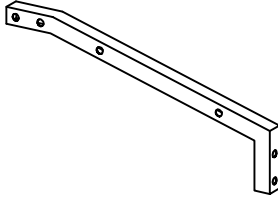
EXPLODED




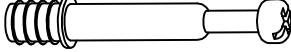
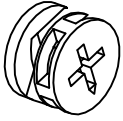
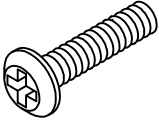
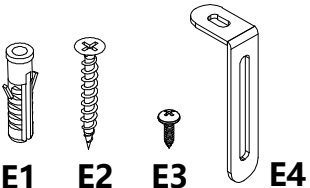
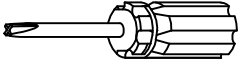
COMPLETE



Parts List

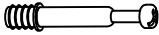
<p>① x1</p> 	<p>② x2</p> 
<p>③ x2</p> 	<p>④ x2</p> 
<p>⑤ x4</p> 	<p>⑥ x2</p> 
<p>⑦ x2</p> 	<p>⑧ x4</p> 

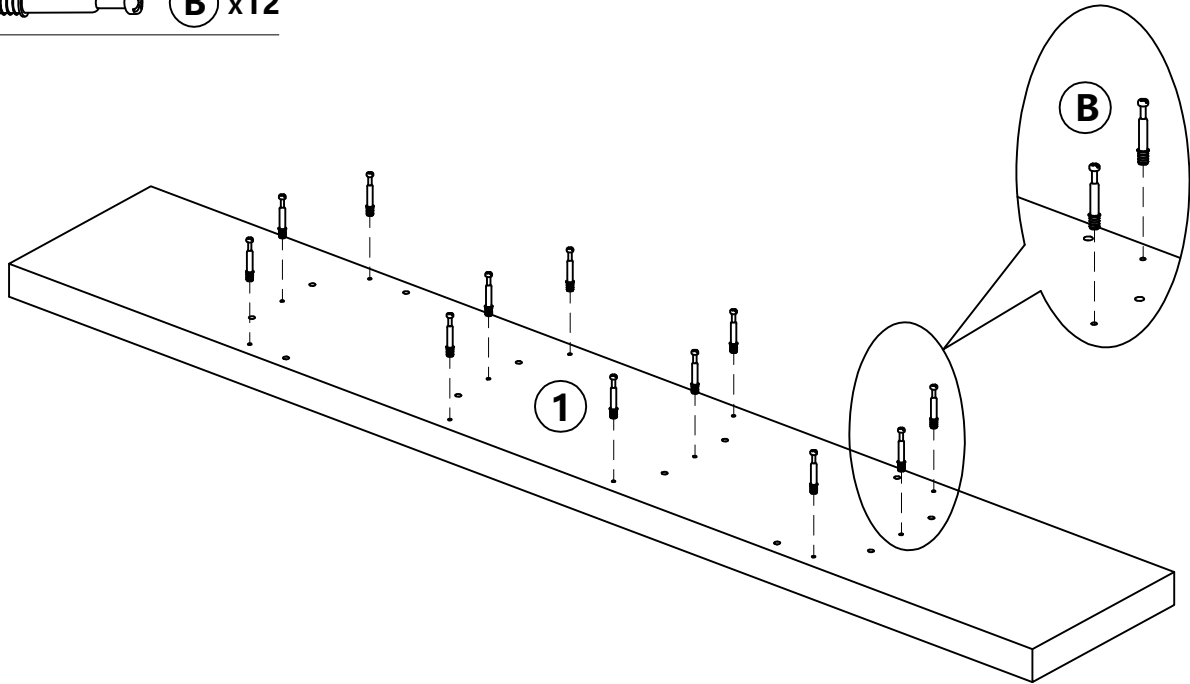
Parts List

<p>(A) x36+2</p>  <p style="text-align: right;">\varnothing 8X30MM</p>	<p>(B) x34+1</p>  <p style="text-align: right;">\varnothing 6X40MM</p>
<p>(C) x34+1</p>  <p style="text-align: right;">\varnothing 15X12MM</p>	<p>(D) x24+1</p>  <p style="text-align: right;">M6X30MM</p>
<p>(E) x2</p>  <p style="text-align: center;"> E1 E2 E3 E4 </p>	<p>(F) x1</p> 

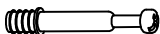
★ In many cases, we include additional hardware. So after following the assembly instructions, don't worry if there are still extra pieces left over-they're included as a "just in case" for your convenience.

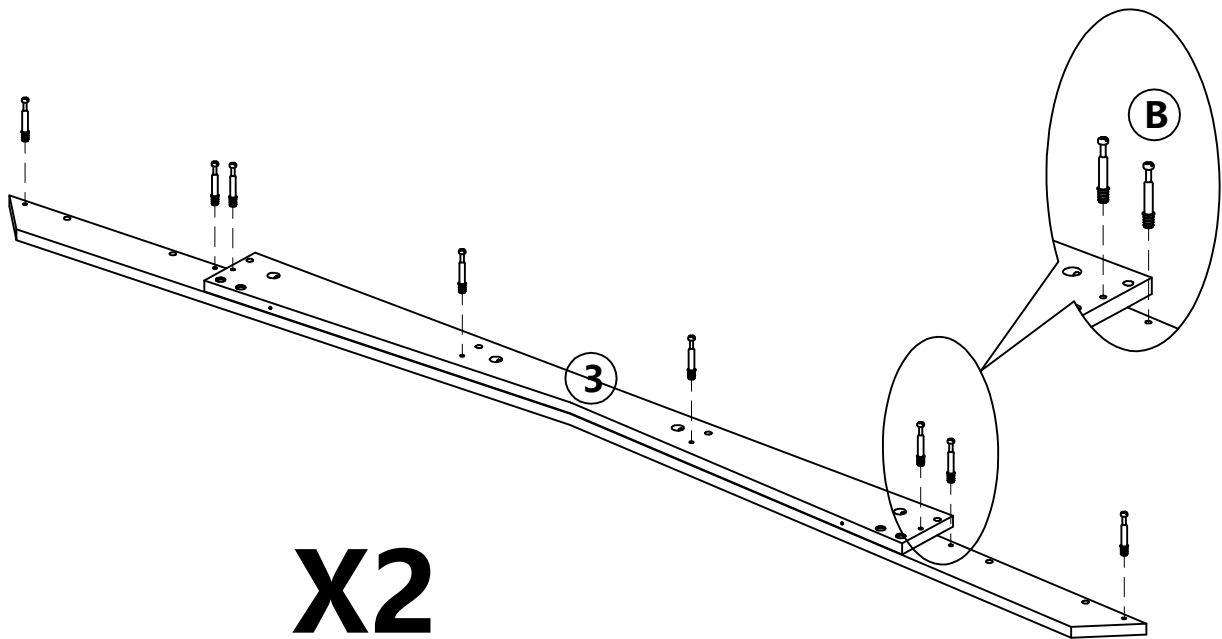
STEP 1

 **B** x12



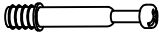
STEP 2

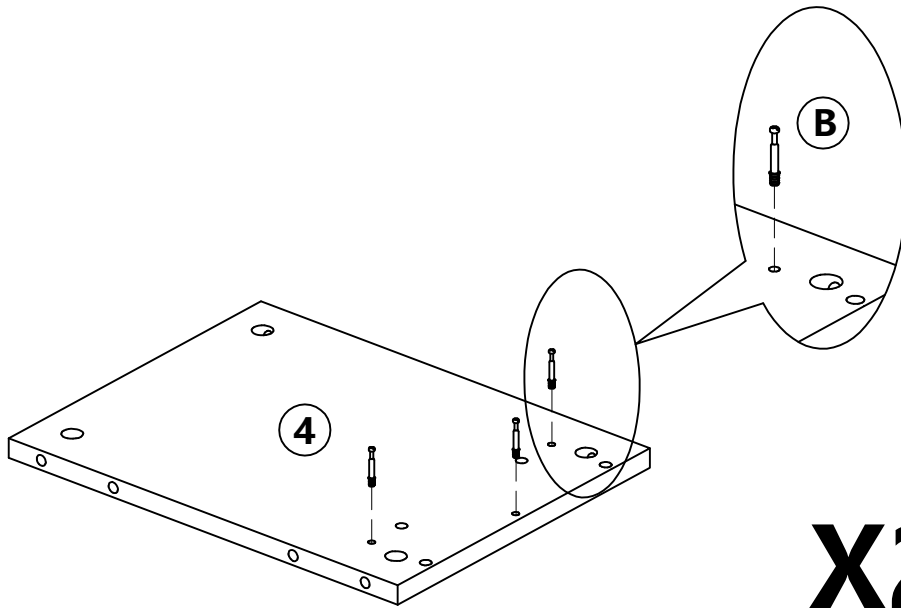
 **B** x16



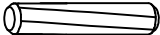
X2

STEP 3

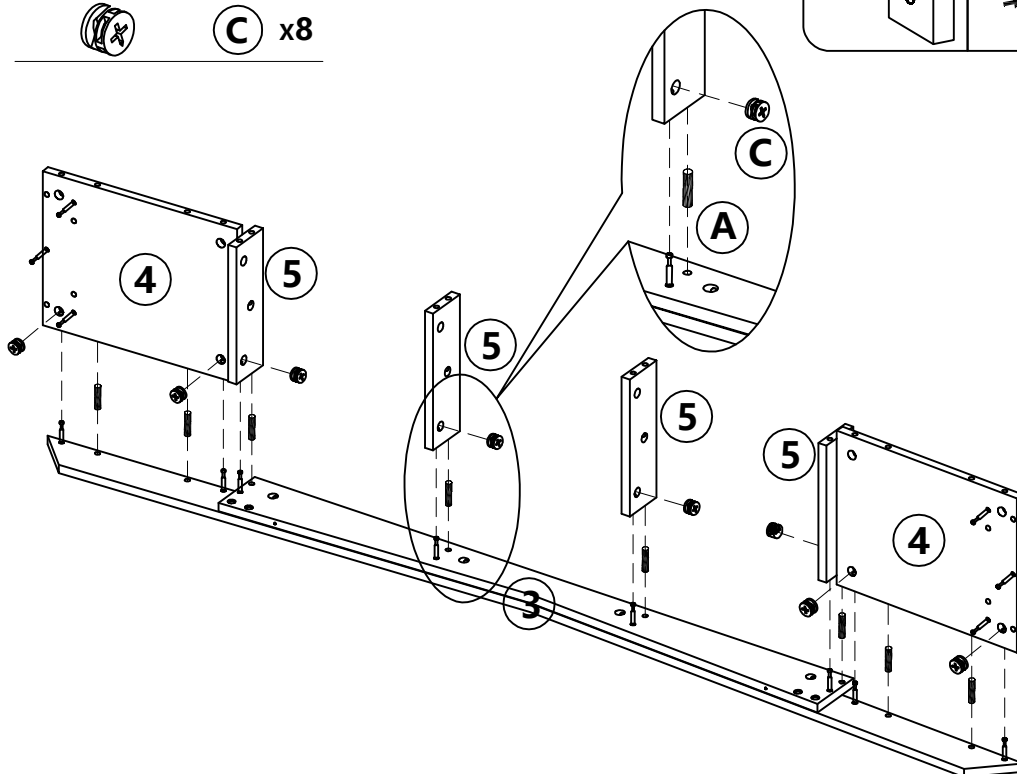
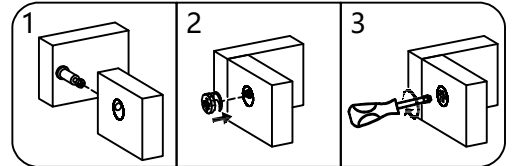
 **B** x6




STEP 4

 **A** x8

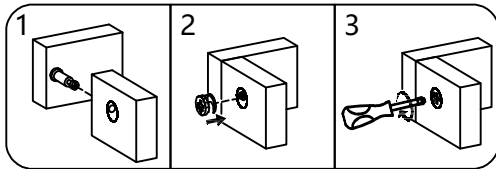
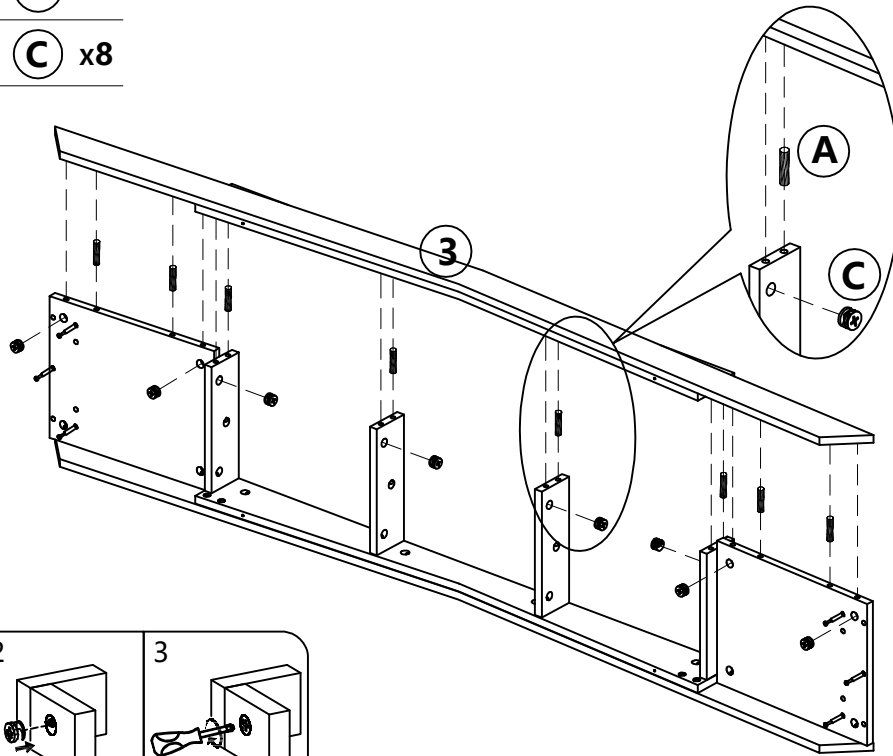
 **C** x8




STEP 5

 **A** x8

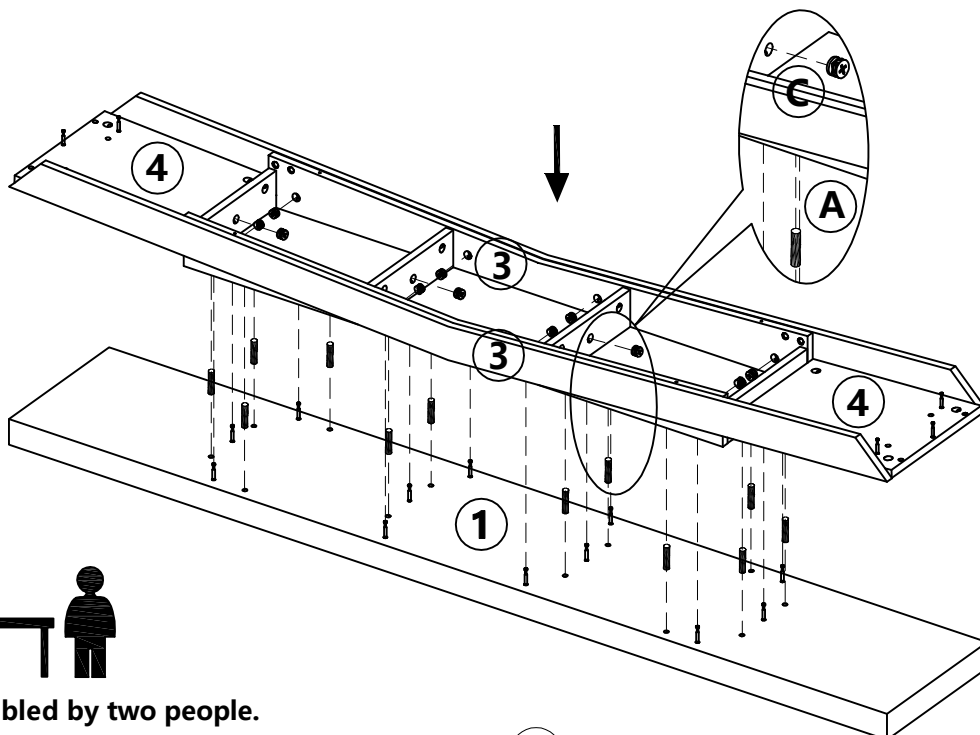
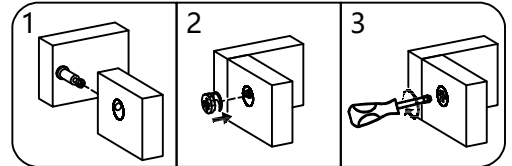
 **C** x8



STEP 6


 **A** x12

 **C** x12

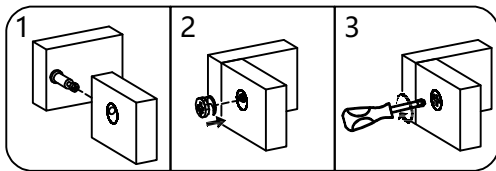
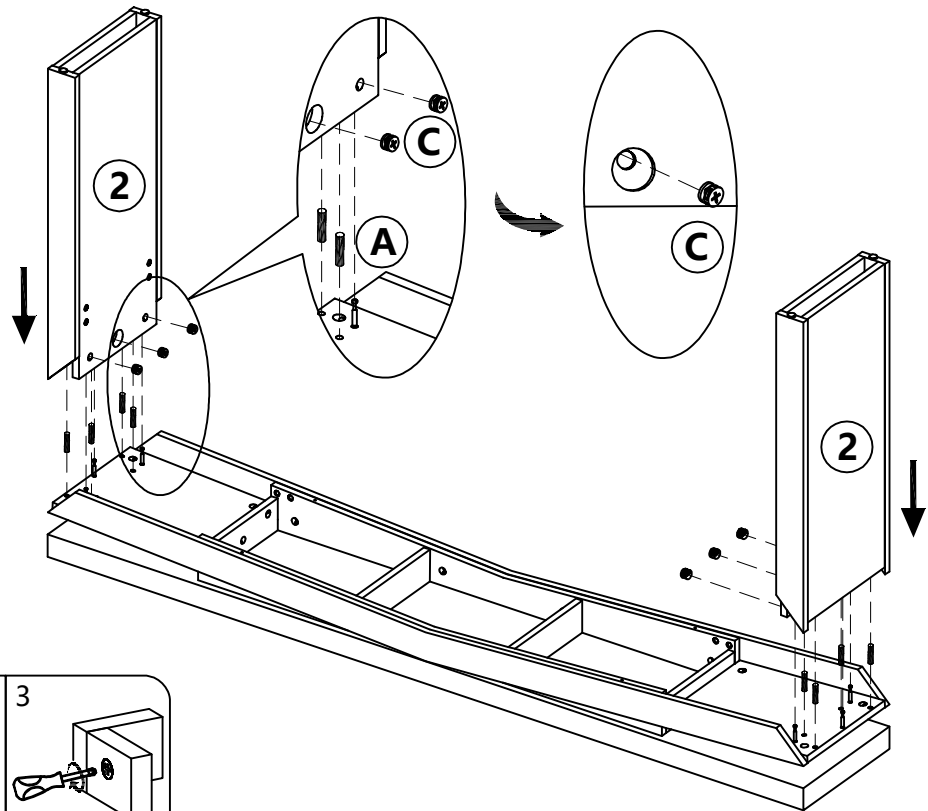


Assembled by two people.


STEP 7

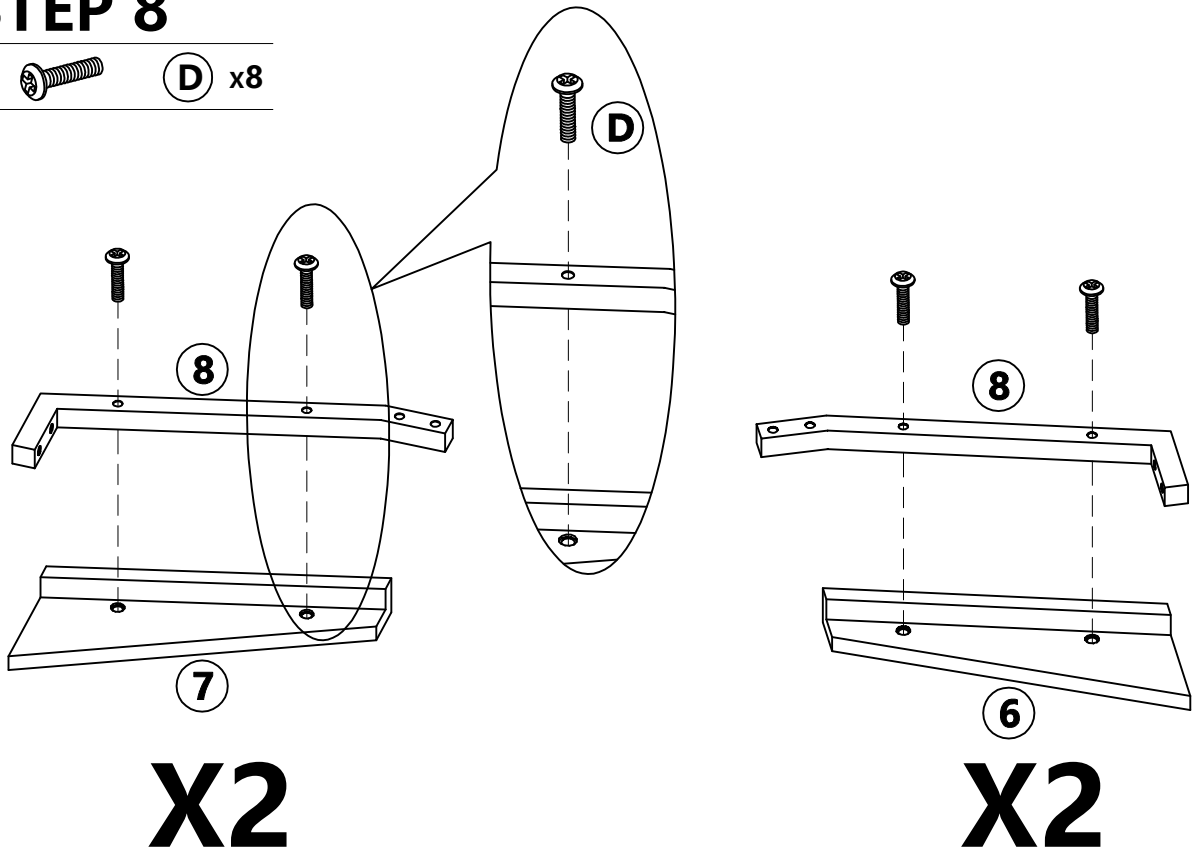
 **A** x8

 **C** x6

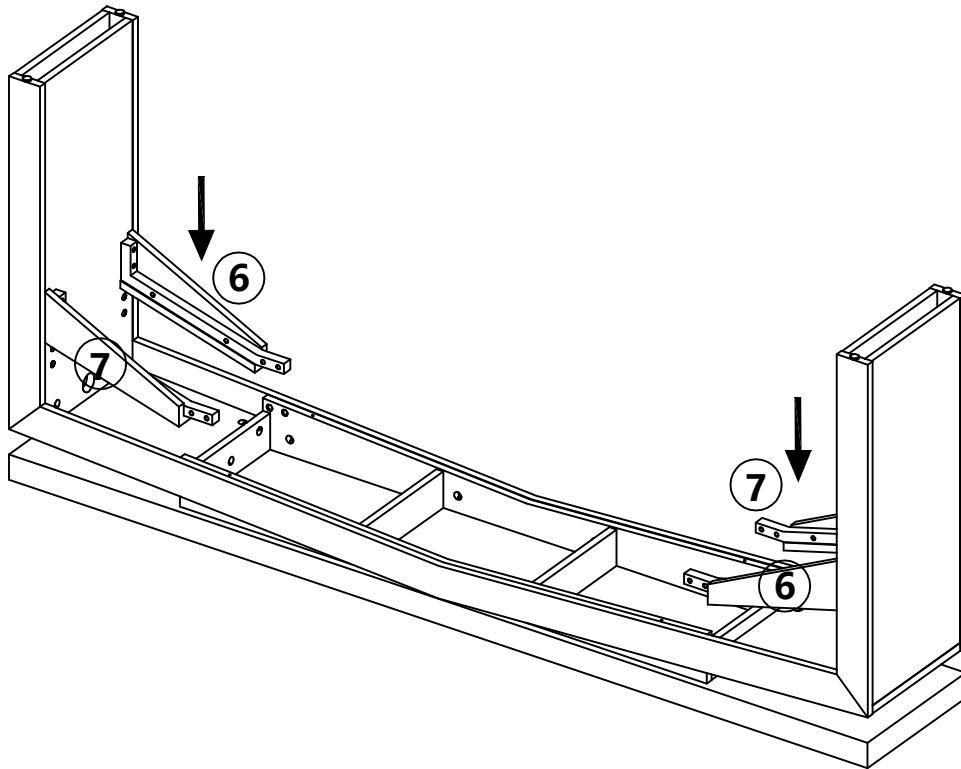


STEP 8

 **D** x8

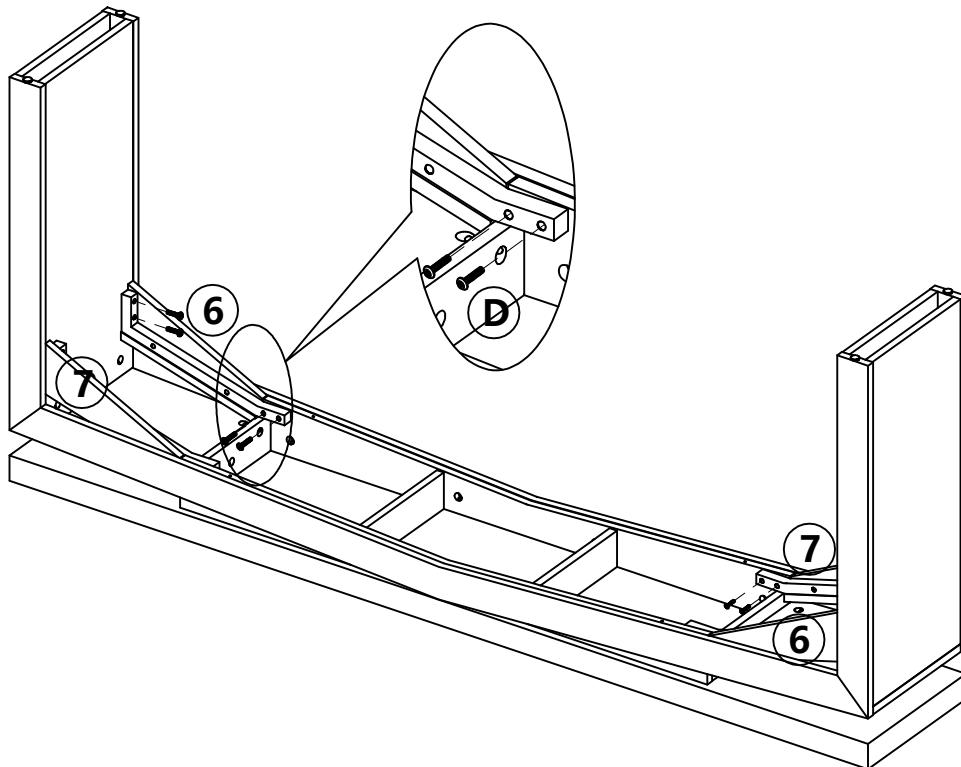


STEP 9

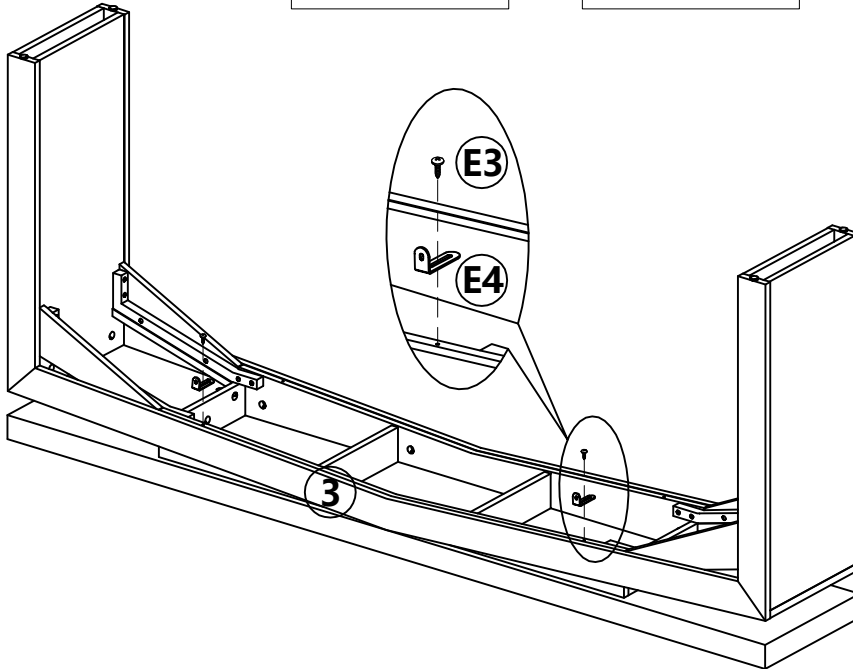
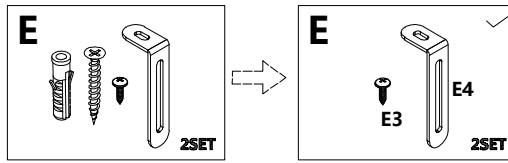


STEP 10

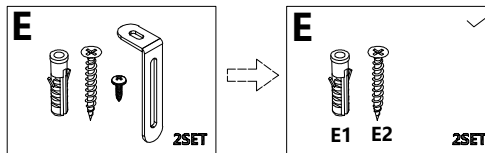
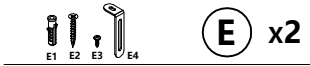
 (D) x16



STEP 11



STEP 12



Drill a hole in the wall , then hammer the E1 into the wall with a hammer

