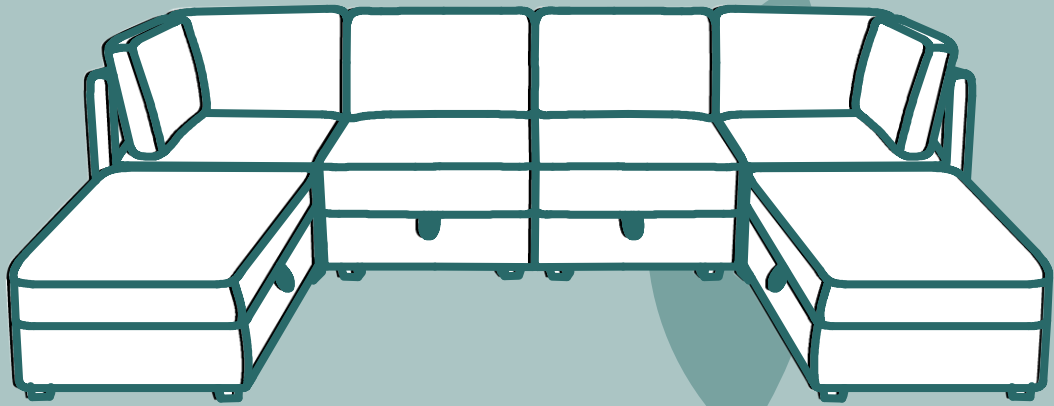


ASSEMBLY

INSTRUCTIONS



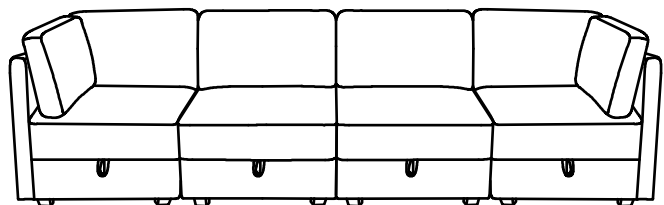
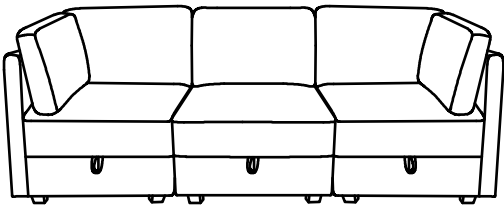
MODULAR STYLE

Some styles for your reference.

This product can be more fashionable with the flexible combination and your imagination.

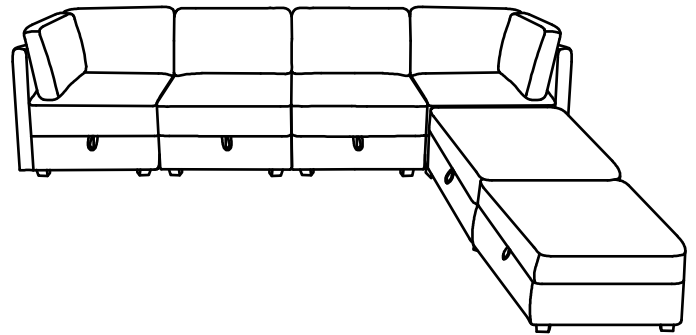
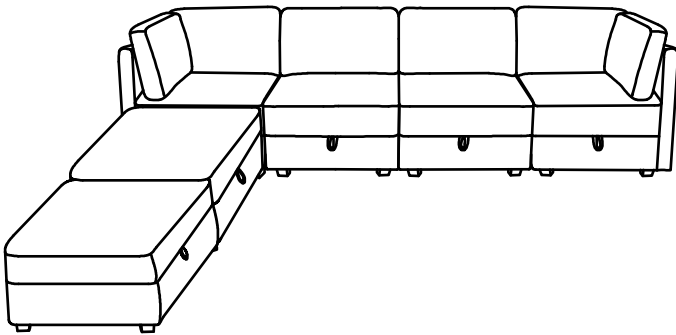
Style1

Line shape: Corner+ Armless chair



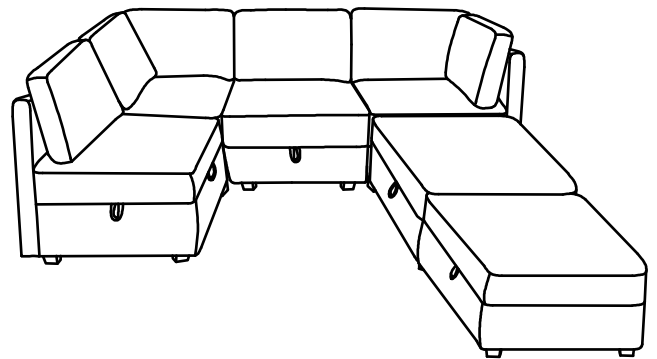
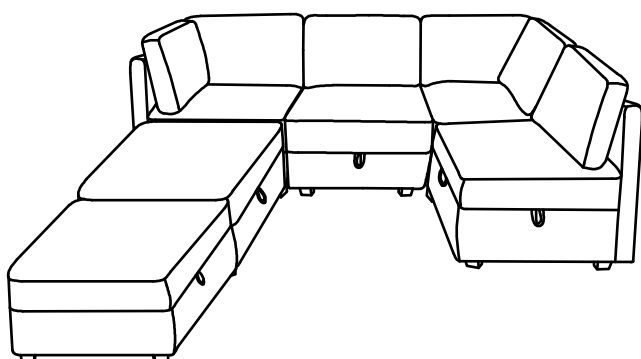
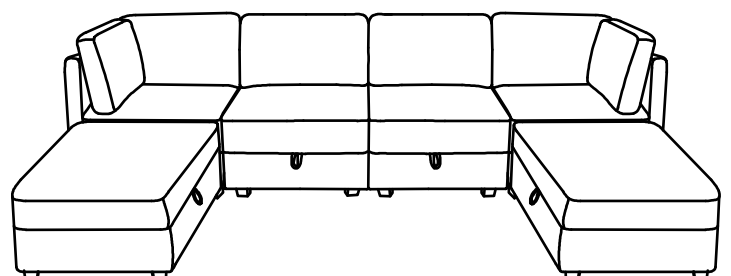
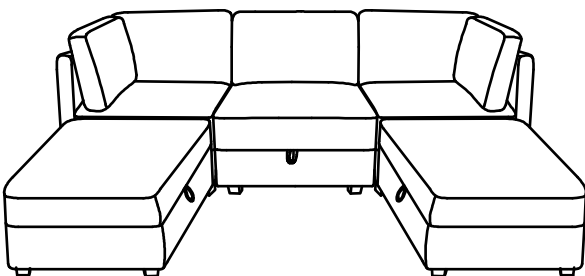
Style2

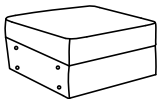

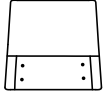

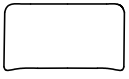



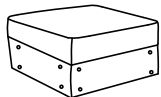

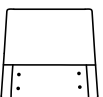

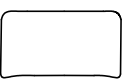



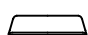
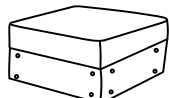

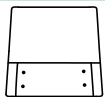

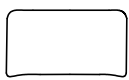

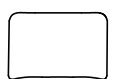


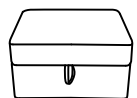


L shape: Corner+ Armless chair+Ottoman



Style3

U shape: Corner+ Armless chair+Ottoman

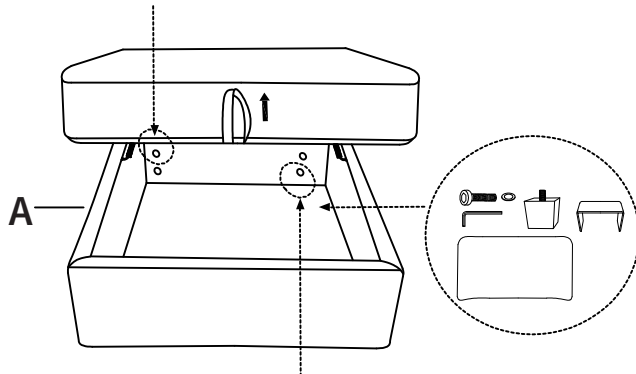


CARTON	PARTS IDENTIFICATION	PARTS ID	Quantity	HARDWARE	PARTS ID	Quantity
SEATARMLESS CHAIR WITH STORAGE	 BASE SEAT	A	1PC	 LEG	H	4 PCS
	 BACK FRAM	B	1PC	 SCREWS	I	4 PCS
	 BACK CUSHION	C	1PC	 WASHER	J	4 PCS
				 WRENCH	K	1PC
				 CONNECTOR	L	1PC
CORNER WITH STORAGE	 BASE SEAT	D	1PC	 LEG	H	4 PCS
	 BACK (AMR)	B	2 PCS	 SCREWS	I	8 PCS
	 BACK CUSHION	C	1PC	 WASHER	J	8 PCS
	 AMR CUSHION	E	1PC	 WRENCH	K	1PC
				 CONNECTOR	L	1PC
CORNER WITH STORAGE	 BASE SEAT	F	1PC	 LEG	H	4 PCS
	 BACK (AMR)	B	2 PCS	 SCREWS	I	8 PCS
	 BACK CUSHION	C	1PC	 WASHER	J	8 PCS
	 AMR CUSHION	E	1PC	 WRENCH	K	1PC
				 CONNECTOR	L	1PC
OTTOMAN WITH STORAGE	 OTTOMAN	G	1PC	 LEG	H	4 PCS
				 CONNECTOR	L	1PC

STEP 1

(ARMLESS CHAIR)

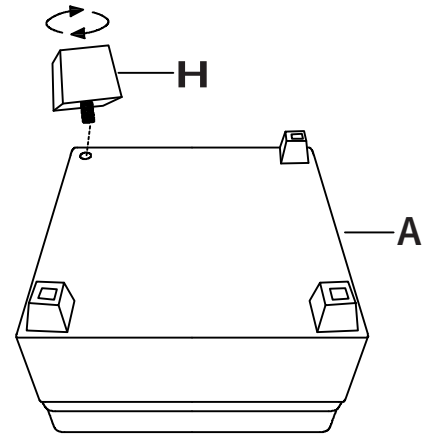
Step 1: Install this screw



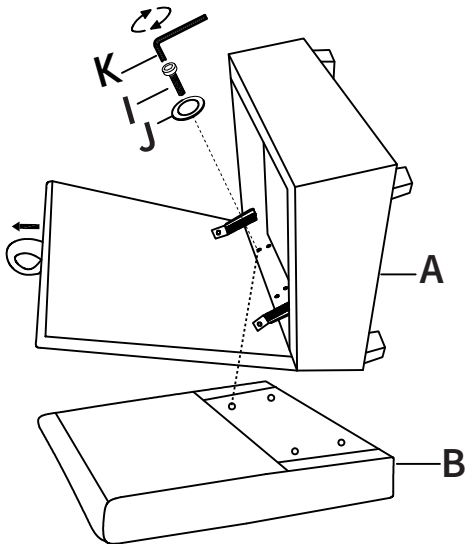
Step 2: Install this screw again

Step 3: Install the other two screws

STEP 2

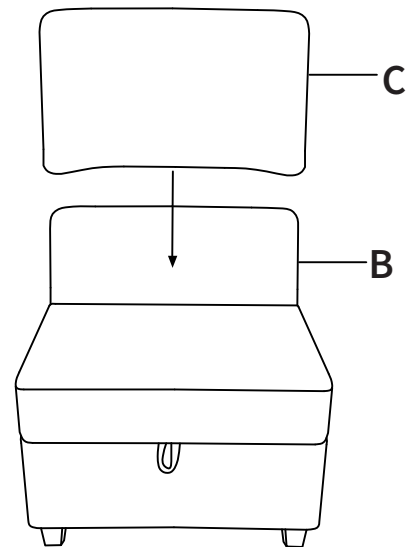


STEP 3

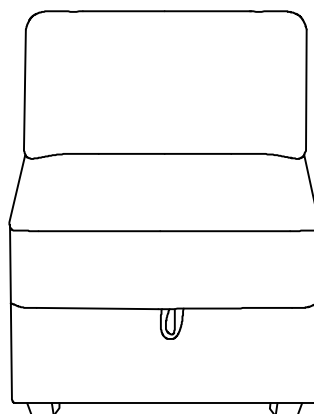


Place the armrest flat on the ground to install the seat frame

STEP 4



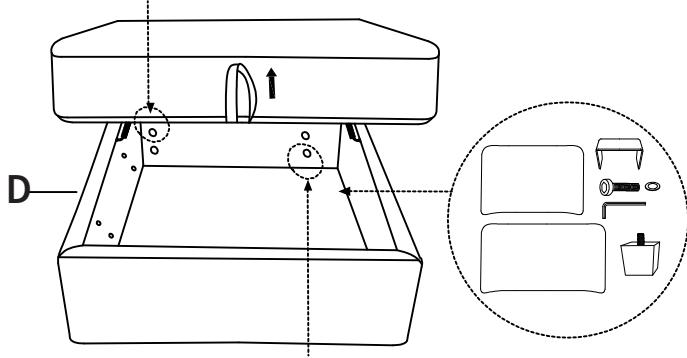
STEP 5



STEP 1

(CORNER)

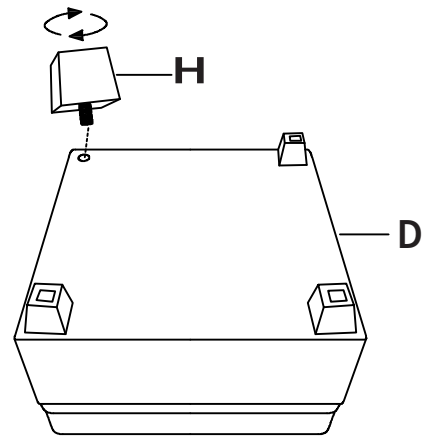
Step 1: Install this screw



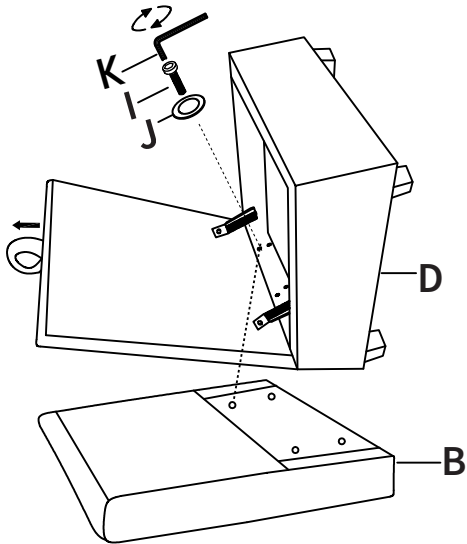
Step 2: Install this screw again

Step 3: Install the other two screws

STEP 2

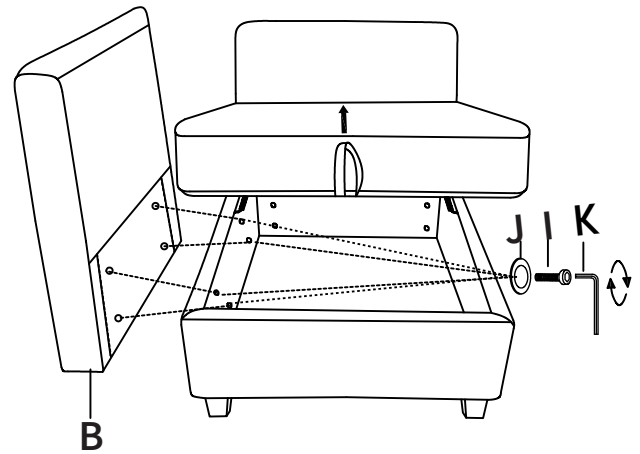


STEP 3

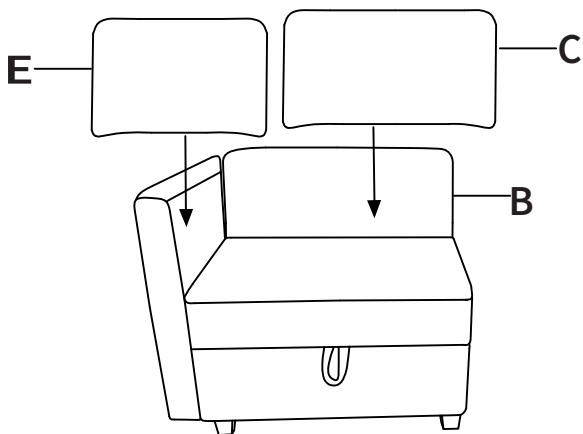


Place the armrest flat on the ground to install the seat frame

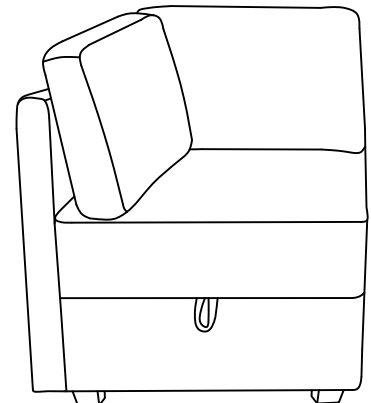
STEP 4



STEP 5



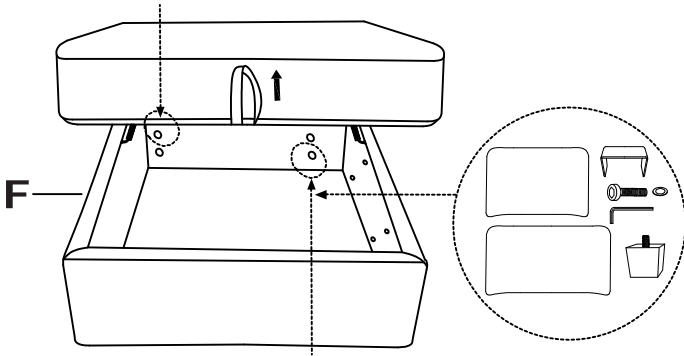
STEP 6



STEP 1

(CORNER)

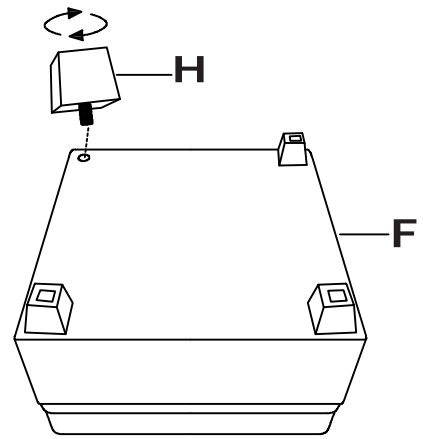
Step 1: Install this screw



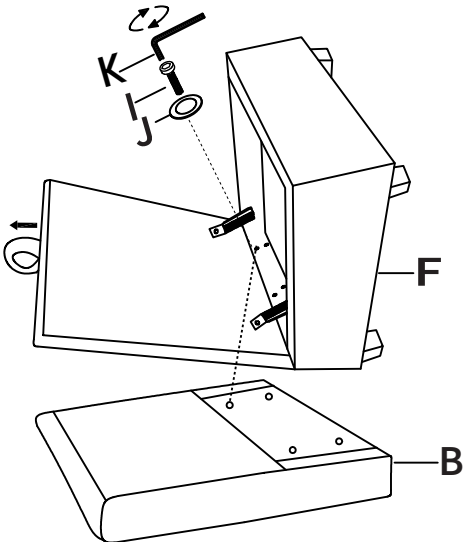
Step 2: Install this screw again

Step 3: Install the other two screws

STEP 2

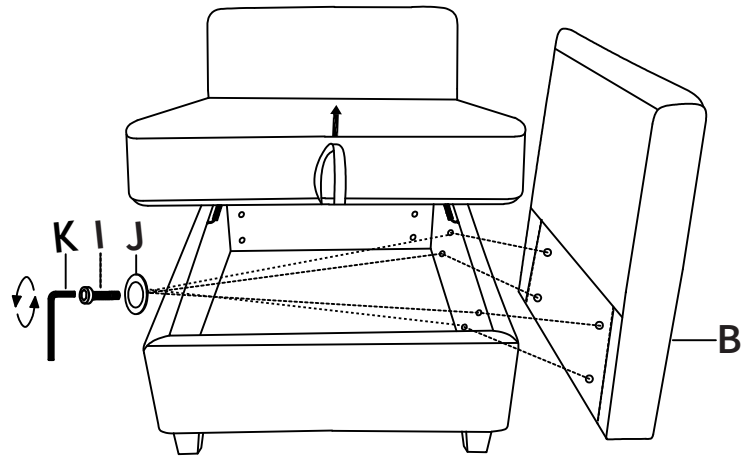


STEP 3

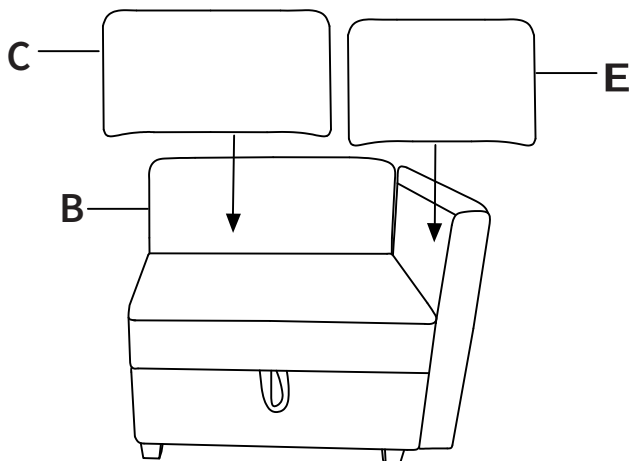


Place the armrest flat on the ground to install the seat frame

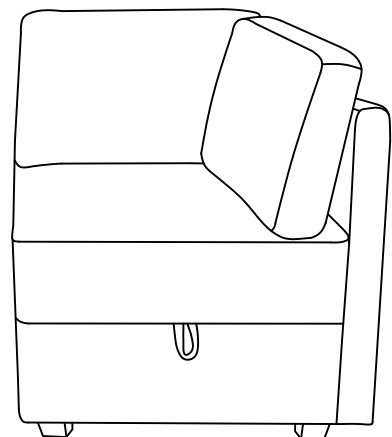
STEP 4



STEP 5

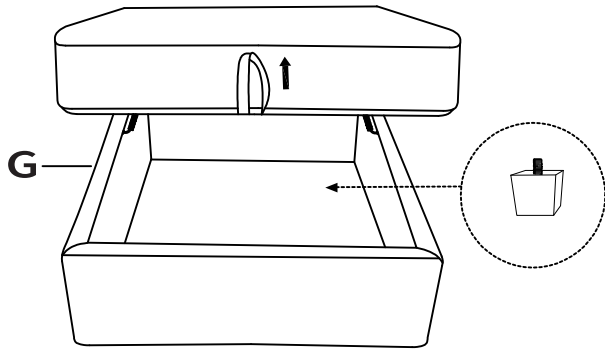


STEP 6

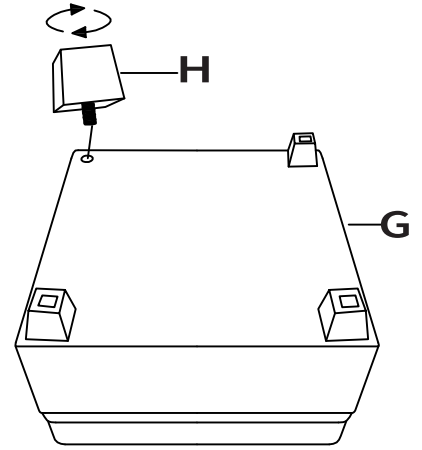


STEP 1

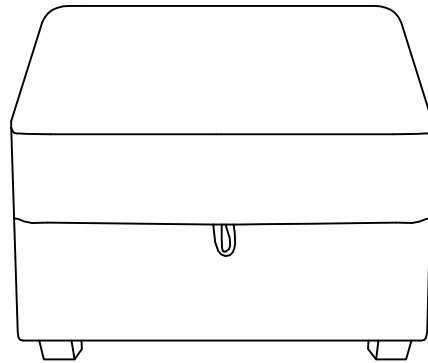
(OTTOMAN)

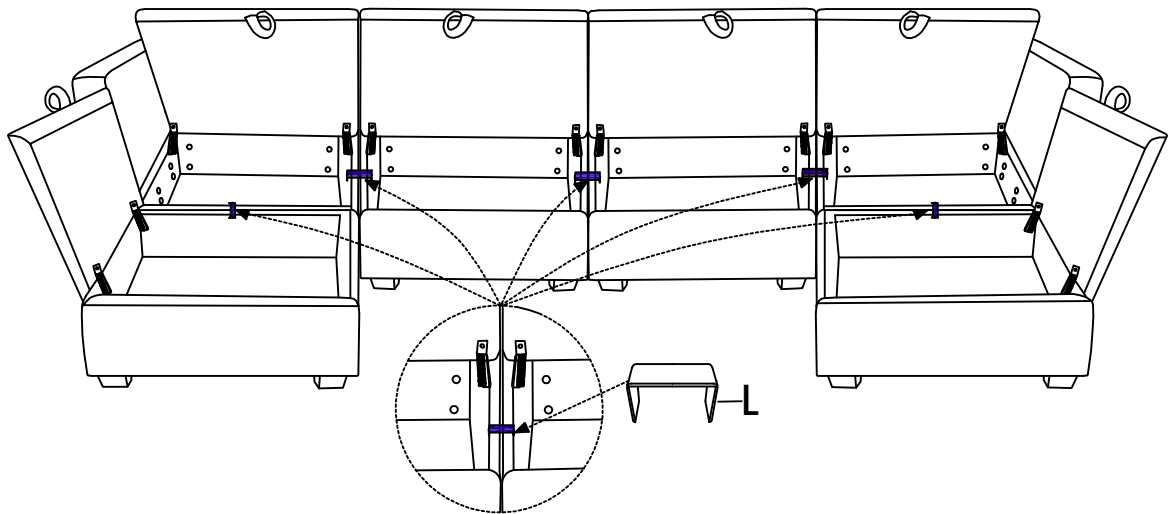
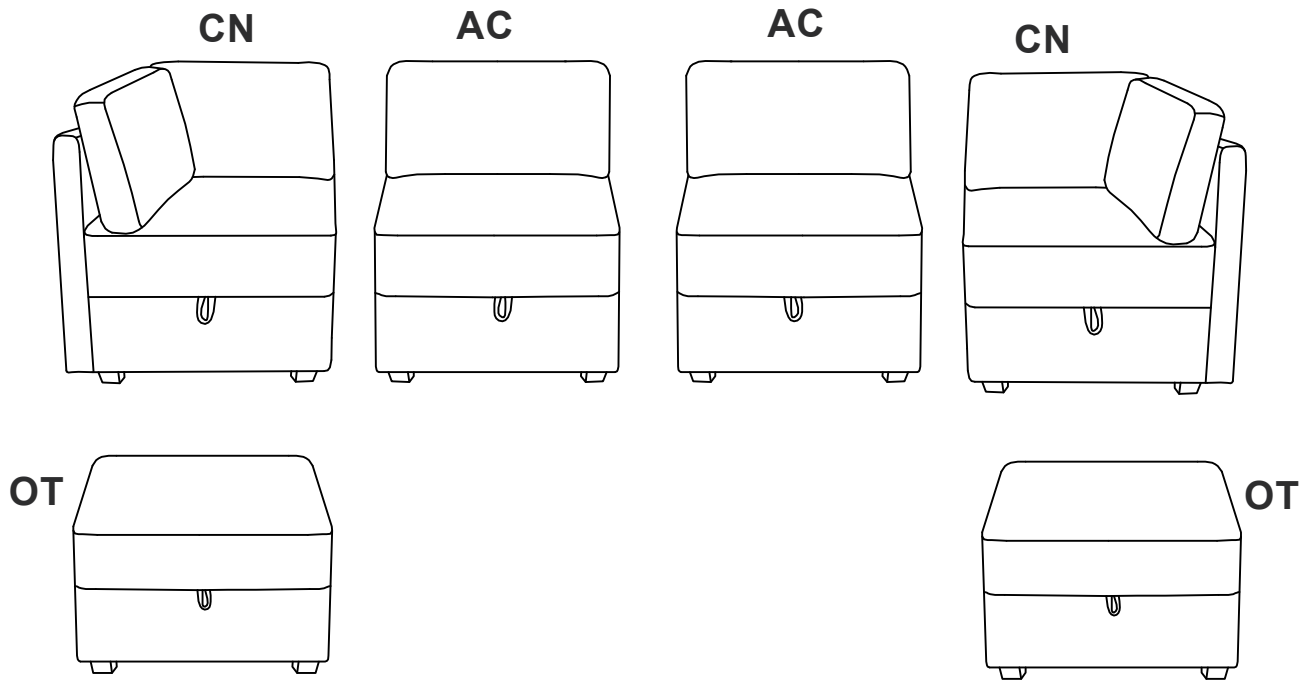


STEP 2



STEP 3





Page 2's style for your reference. We believe, the flexible combination and your imagination, can be more fashionable with this product.

ASSEMBLY INSTRUCTIONS

ASSEMBLY TIPS

- 1.Remove hardware from box and sort by size.
- 2.Please check to see that all hardware and parts are present prior to start of assembly.
- 3.Please follow attached instructions in the same sequence as numbered to assure fast & easy assembly



WARNING

- 1.Don't attempt to repair or modify parts that are broken or defective. Please contact the store immediately.
- 2.This product is for home use only and not intended for commercial establishments.

ASSEMBLY TIME: 20 MINUTES

If you receive any damaged or defective parts, please provide the following information and contact us as soon as possible. We will respond within 24 hours:

- 1. Pictures or video of the damaged/defective part**
- 2. Part number according to the manual**
- 3. Order ID**

We apologize for any inconvenience this may have caused.