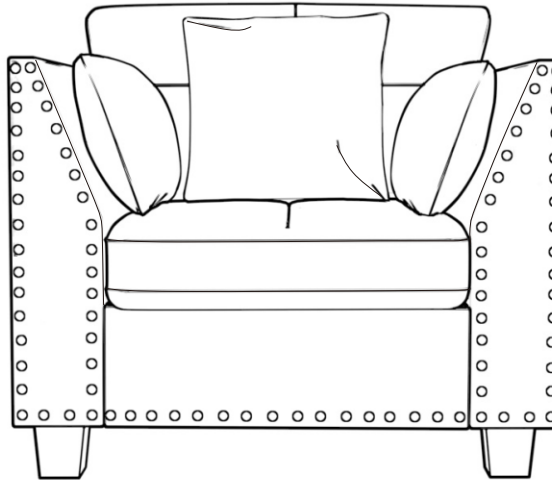


ASSEMBLY INSTRUCTION

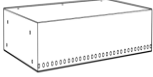
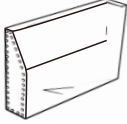
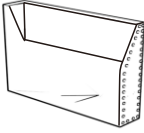

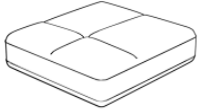




Chair

Thank you for purchasing this quality product. Be sure to check all packing material carefully for small parts which may have come loose inside the carton during shipment. Separate, identify and count all parts and metal hardware. Compare with parts list to be sure all parts are present. If any part(s) are missing or damaged, please contact your local furniture dealer. For efficient and speedy service, please indicate the model number and code letter of part(s) needed.

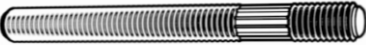
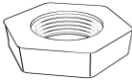
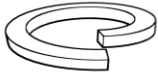
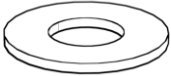


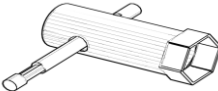

***** Do not fully tighten screws until fully assembled *****



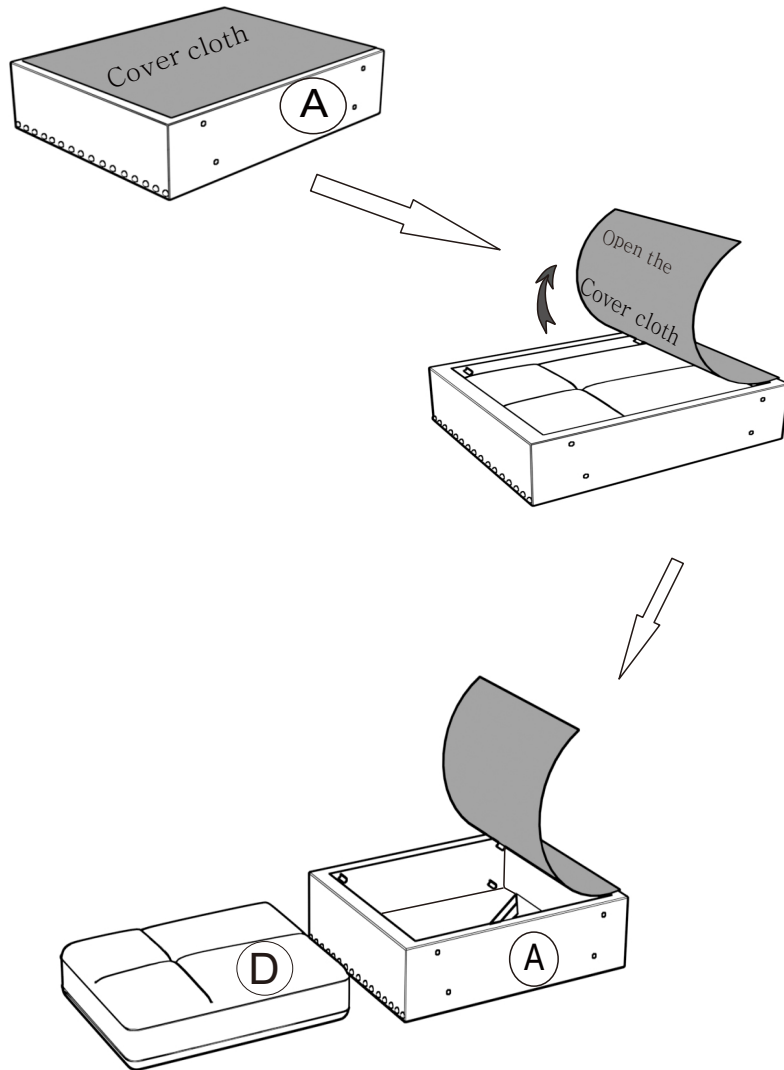
PARTS LIST

 A	x1	BL	 x1	BR	 x1	C	 x1
 D	x1	E	 x1	F	 x2	G	 x1
 H Leg	x4						

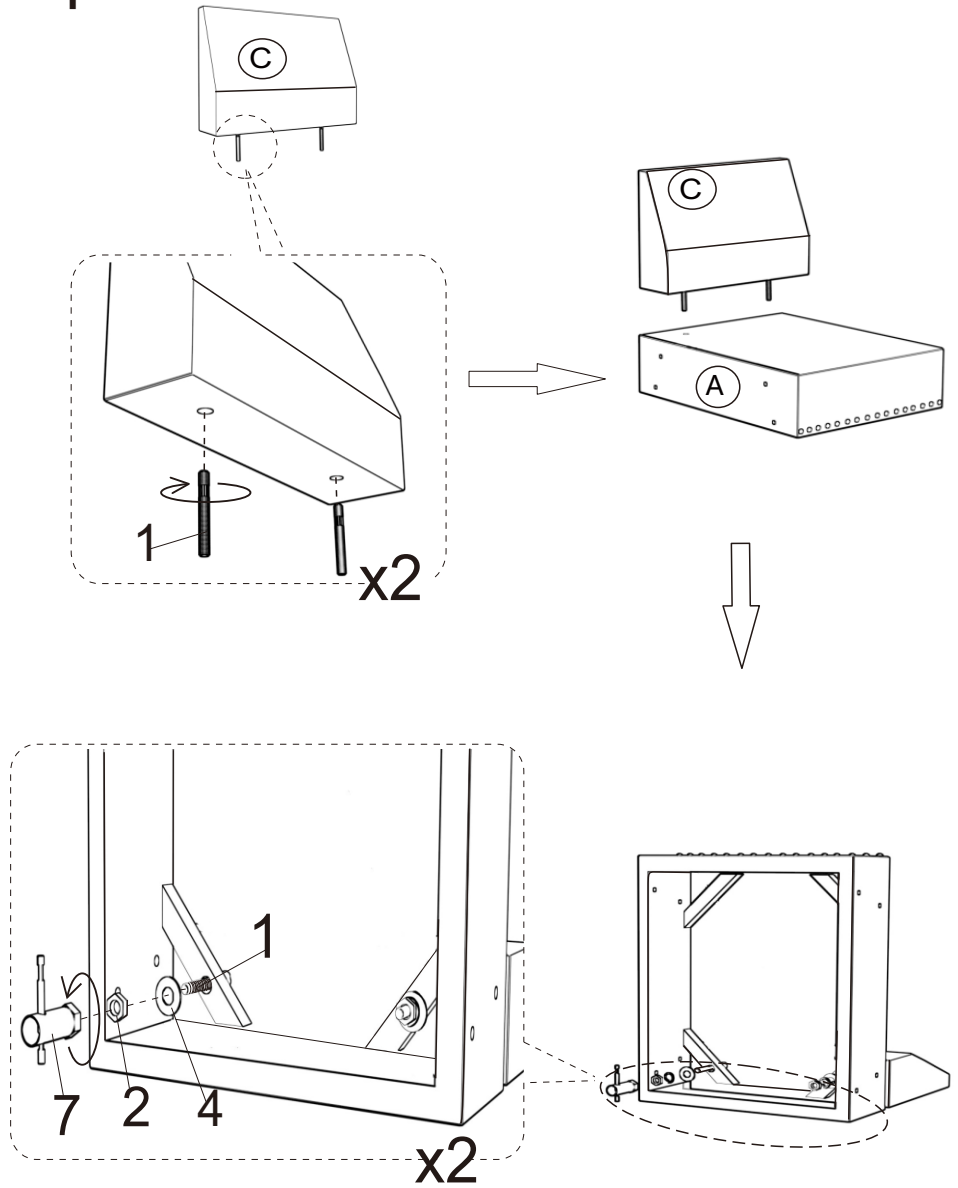
HARDWARE LIST

 1	Bolt	x2	 2	Nut	x2	 3	Spring Washer	x8	 4	Washer	x10
 5	Bolt	x8	 6	Plastic Washer	x4	 7	Wrench	x1	 8	Allen Wren	x1

Step 1

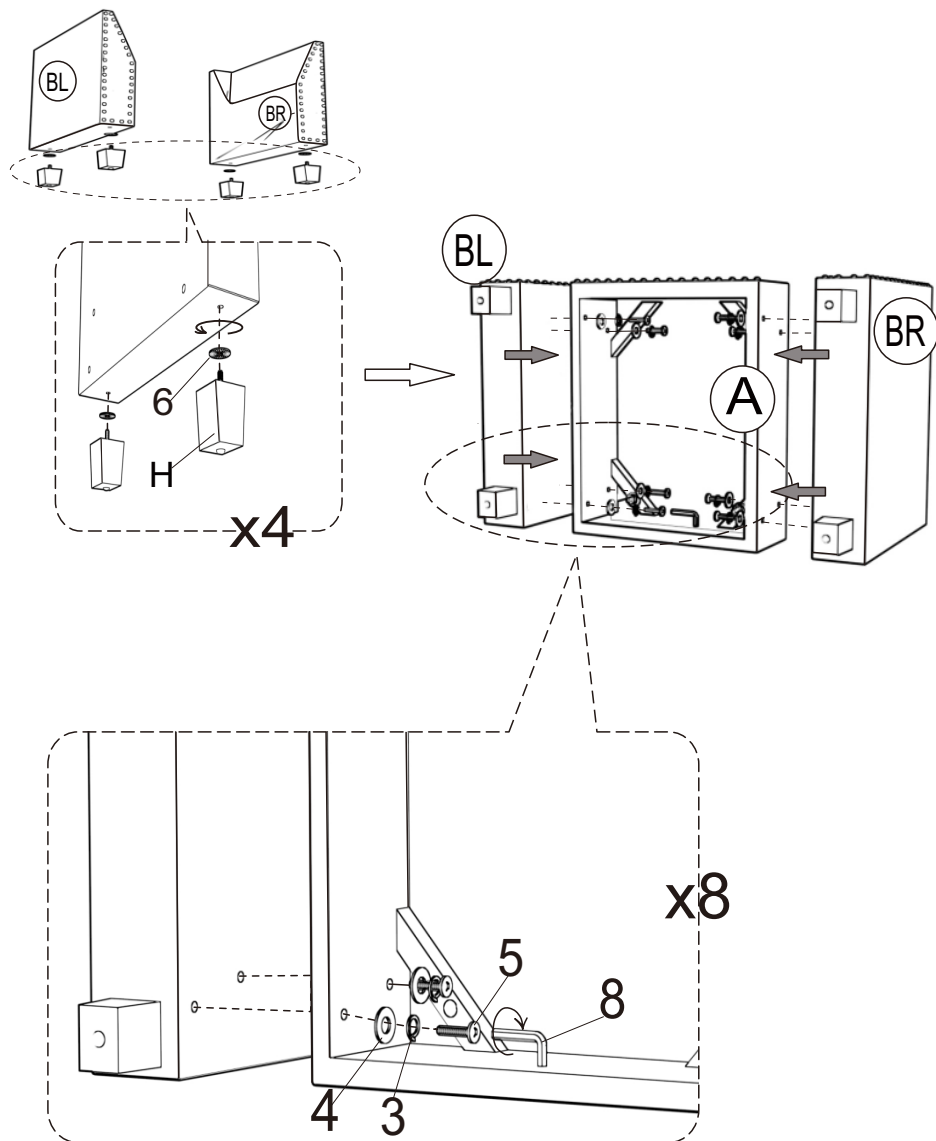


Step 2



Assembly Instructions

Step 3



Step 4

